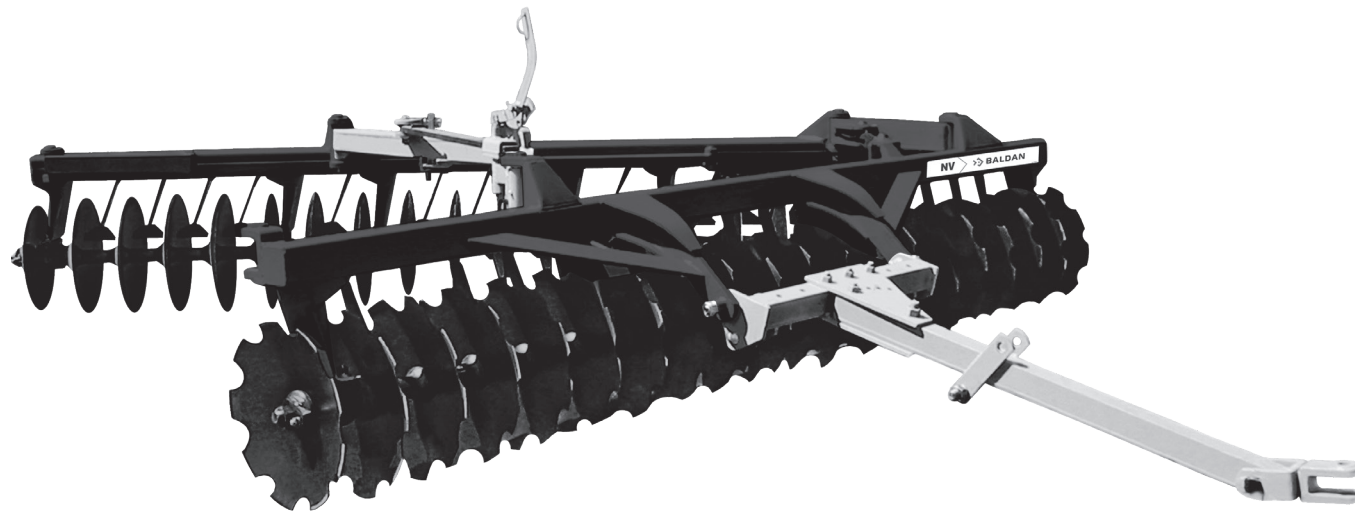


# *Parts Catalog*



**NV**

Drag Type Leveling Disc Harrow

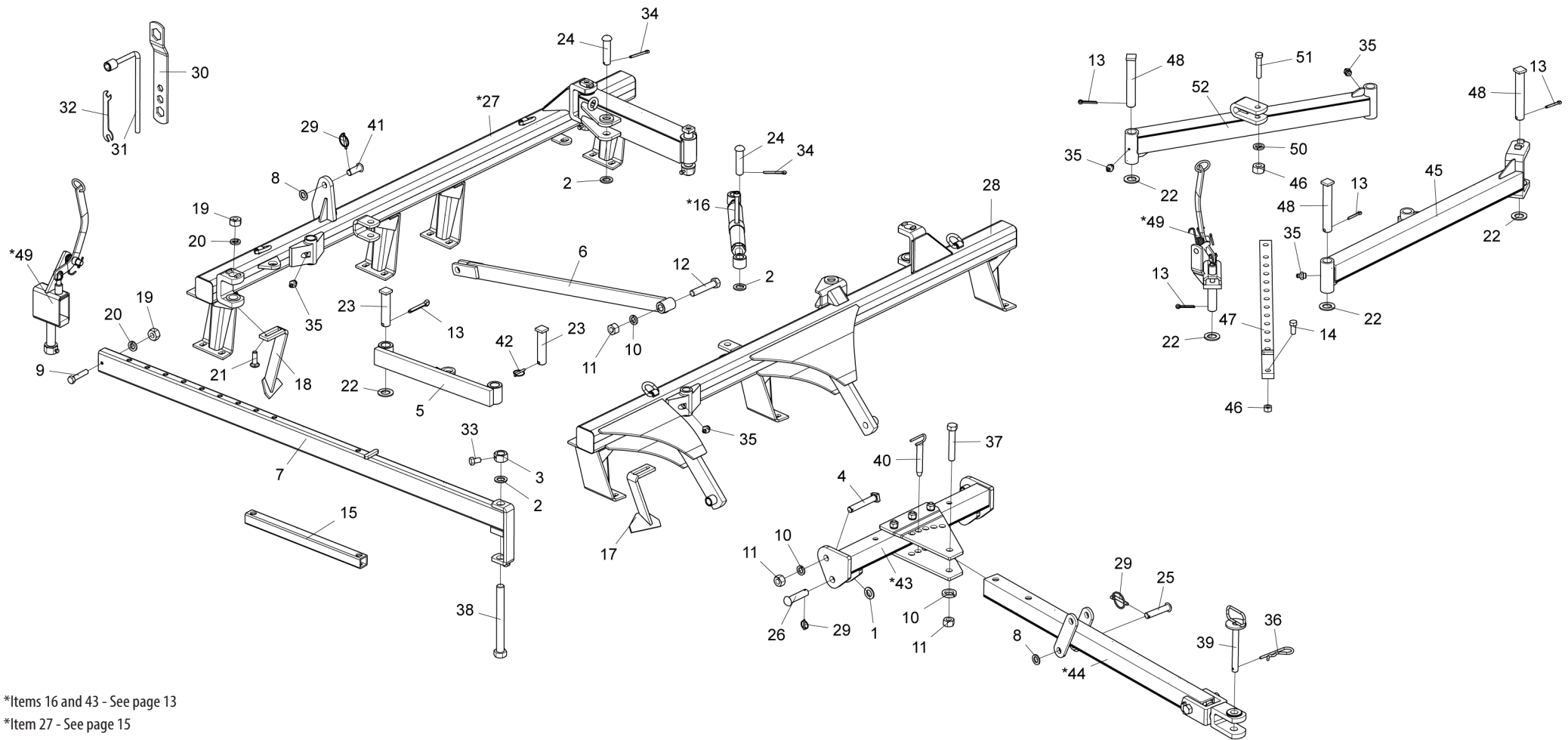
 **BALDAN**



## ▪ Index

<i>NV Mechanical Opening (Spacing 175mm)</i> .....	4
<i>Table NV Mechanical Opening (Spacing 175mm)</i> .....	5
<i>NV Mechanical Opening (Spacing 200mm)</i> .....	6
<i>Table NV Mechanical Opening (Spacing 200mm)</i> .....	7
<i>NV Hydraulic Opening(Spacing 175mm)</i> .....	8
<i>Table NV Hydraulic Opening(Spacing 175mm)</i> .....	9
<i>NV Hydraulic Opening (Spacing 200mm)</i> .....	10
<i>Table NV Hydraulic Opening (Spacing 200mm)</i> .....	11
<i>Hitch Drawbar (Mechanical Opening)</i> .....	12
<i>Hitch Drawbar (Hydraulic Opening)</i> .....	12
<i>Hitch Transversal Bar</i> .....	13
<i>Complete Regulator</i> .....	13
<i>Complete Lock Handle</i> .....	14
<i>Hydraulic Cylinder</i> .....	14
<i>Rear Gang NV Spacing 175mm Mechanical Opening</i> .....	15
<i>Rear Gang NV Spacing 200mm Mechanical Opening</i> .....	15
<i>Rear Gang NV Spacing 200mm Hydraulic Opening</i> .....	16
<i>Rear Gang NV Spacing 175mm Hydraulic Opening</i> .....	16
<i>Discs Section (Spacing 175mm)</i> .....	17
<i>Discs Section (Spacing 200mm)</i> .....	18
<i>Grease Bearing (Spacing 175mm)</i> .....	19
<i>Grease Bearing (Spacing 200mm)</i> .....	19
<i>Oil Bearing (Radial) Spacing 175 mm</i> .....	20
<i>Oil Bearing (Radial) Spacing 200 mm</i> .....	20
<i>Axial Bearing (Spacing 175 mm)</i> .....	21
<i>Friction Bearing(Spacing 175 mm)</i> .....	21
<i>Stickers</i> .....	22

## • NV Mechanical Opening (Spacing 175mm)



\*Items 16 and 43 - See page 13

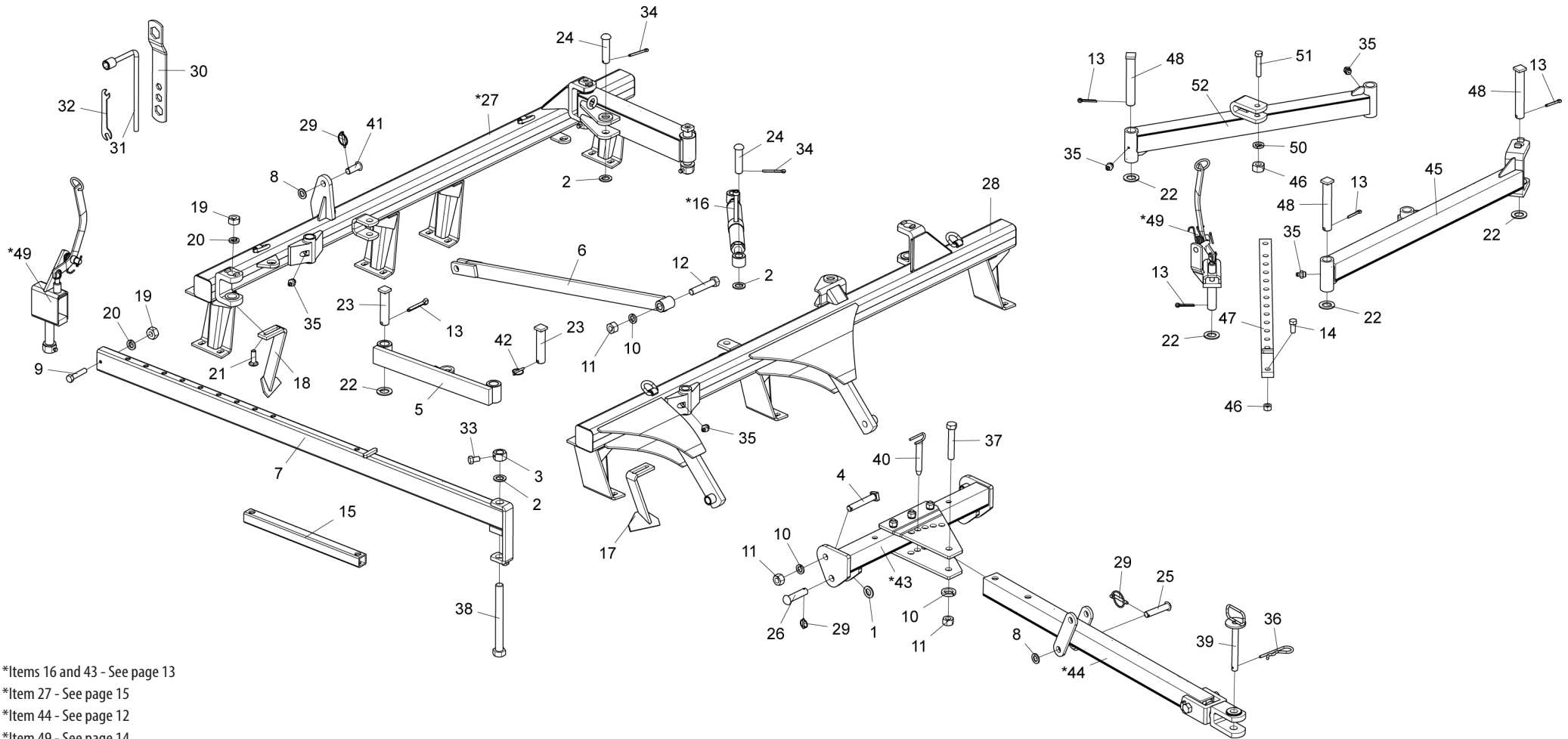
\*Item 27 - See page 15

\*Item 44 - See page 12

\*Item 49 - See page 14



## • NV Mechanical Opening (Spacing 200mm)



\*Items 16 and 43 - See page 13

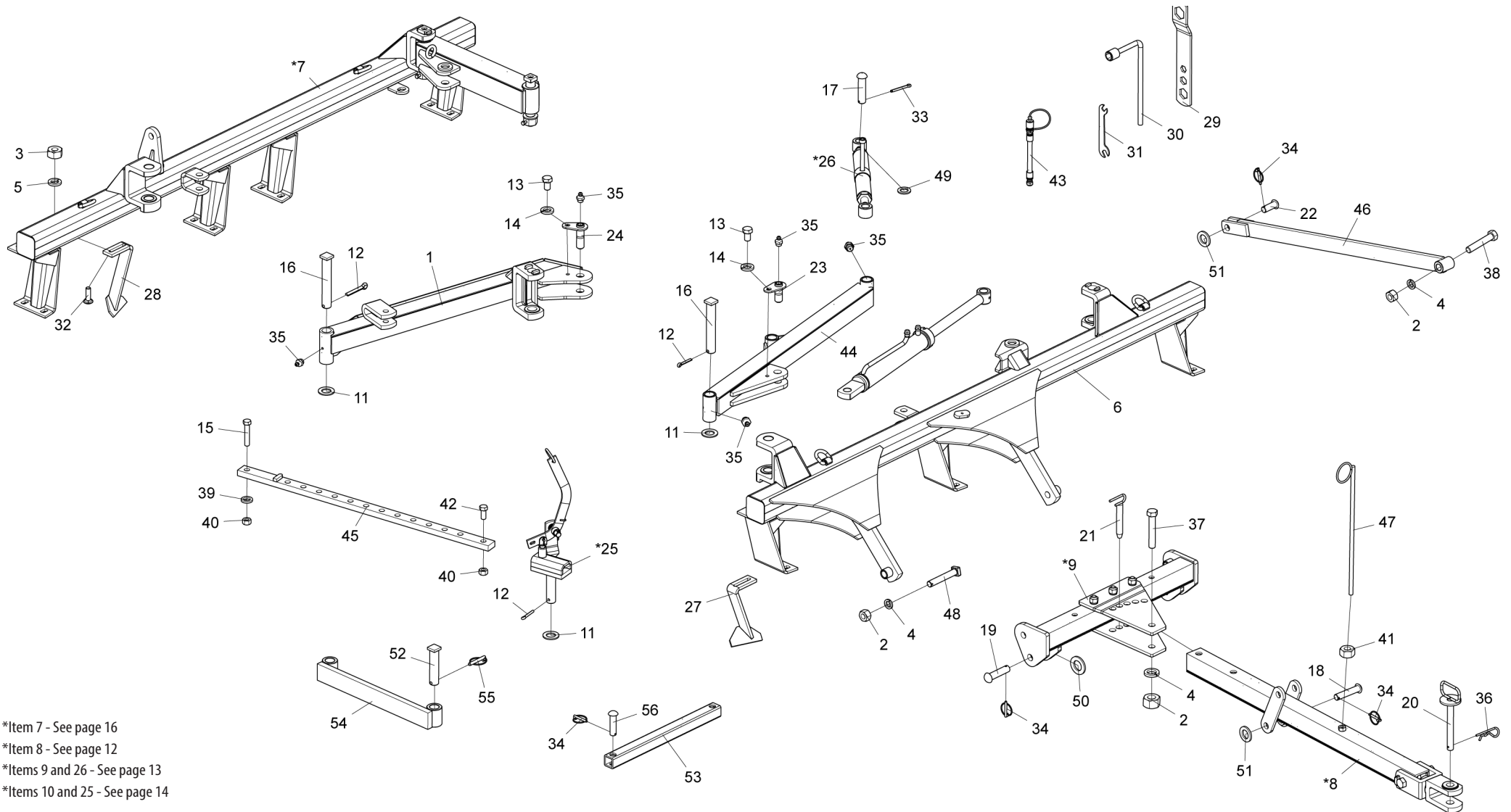
\*Item 27 - See page 15

\*Item 44 - See page 12

\*Item 49 - See page 14



## • NV Hydraulic Opening(Spacing 175mm)



\*Item 7 - See page 16

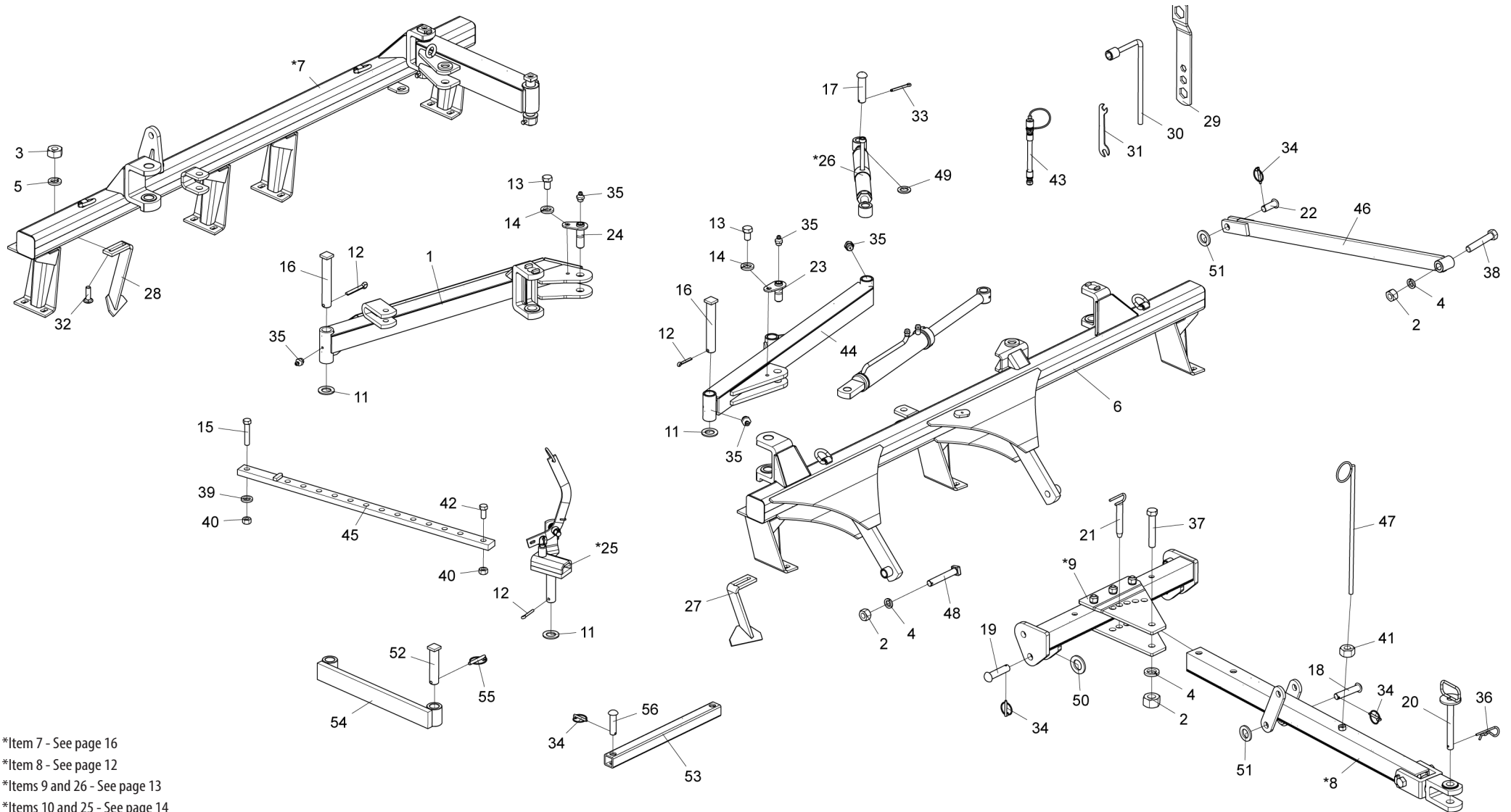
\*Item 8 - See page 12

\*Items 9 and 26 - See page 13

\*Items 10 and 25 - See page 14



## • NV Hydraulic Opening (Spacing 200mm)



\*Item 7 - See page 16

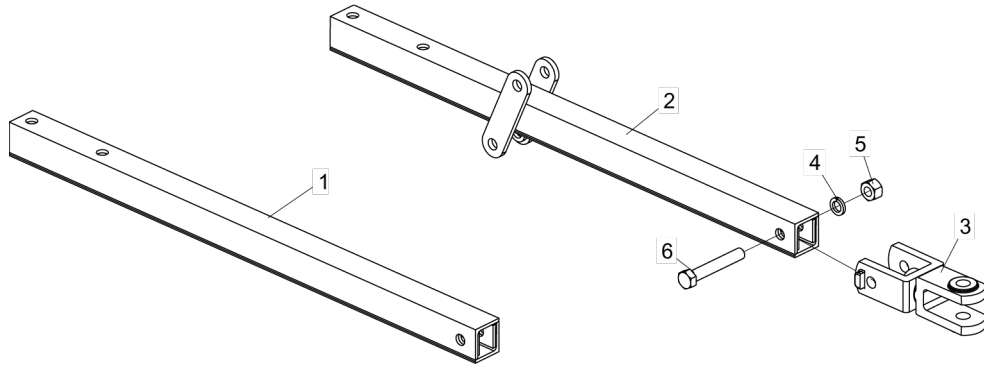
\*Item 8 - See page 12

\*Items 9 and 26 - See page 13

\*Items 10 and 25 - See page 14

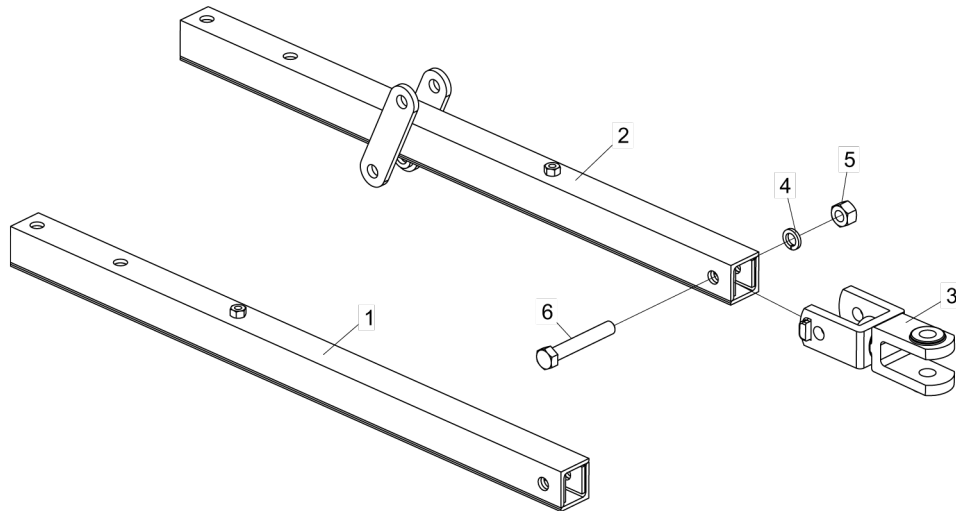


## • Hitch Drawbar (Mechanical Opening)



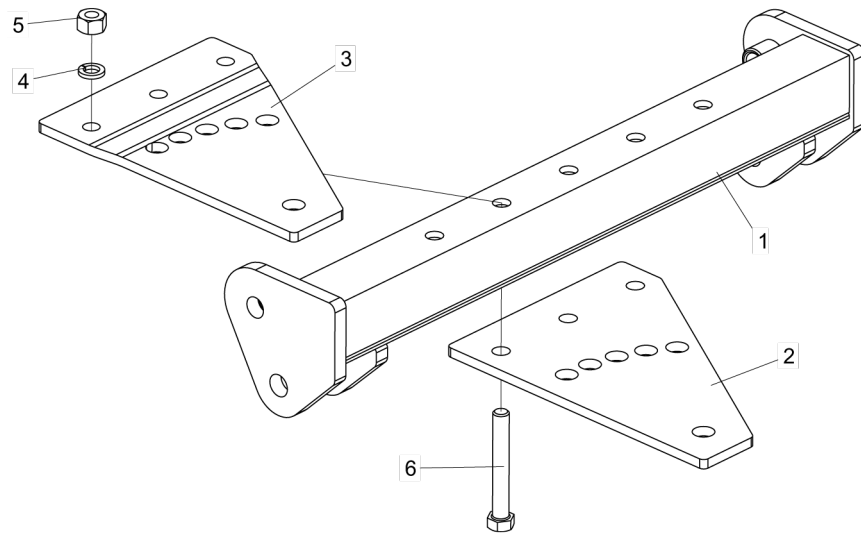
Item	Code	Product description	All		
			Without Hydraulic Transport	For Hydraulic Transport	
1	5084030003-7	Hitch Drawbar (10 To 20 Discs W/ Mechanic Opening)		1	
2	5084010047-0	Hitch Drawbar			1
3	5332010008-5	Hitch Shackle	1		
4	6020010420-2	Pressure Washer 1" Media Industry	1		
5	6020310778-4	Hexagonal Nut 1" 8F Unc Gr5 Ch.1.5/8" Height 25,00Mm	1		
6	6020311139-0	Hexagonal Head Bolt 1" X 6.1/2" 8F Unc1A Gr5 Rp	1		

## • Hitch Drawbar (Hydraulic Opening)



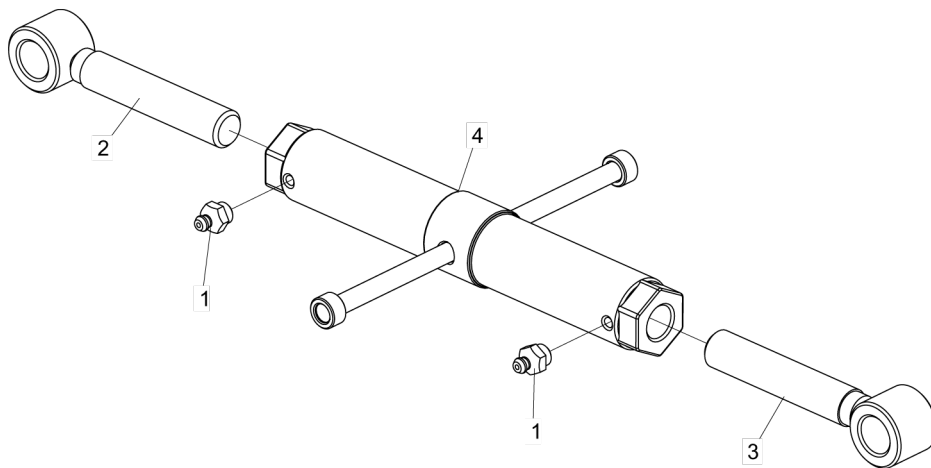
Item	Code	Product description	All		
			Without Hydraulic Transport	For Hydraulic Transport	
1	5084030014-2	Hitch Drawbar		1	
2	5084010058-5	Hitch Drawbar(Hydraulic Transport W/Piston)			1
3	5332010008-5	Hitch Shackle	1		
4	6020010420-2	Pressure Washer 1" Media Industry	1		
5	6020310778-4	Hexagonal Nut 1" 8F Unc Gr5 Ch.1.5/8" Height 25,00Mm	1		
6	6020311139-0	Hexagonal Head Bolt 1" X 6.1/2" 8F Unc1A Gr5 Rp	1		

## • Hitch Transversal Bar



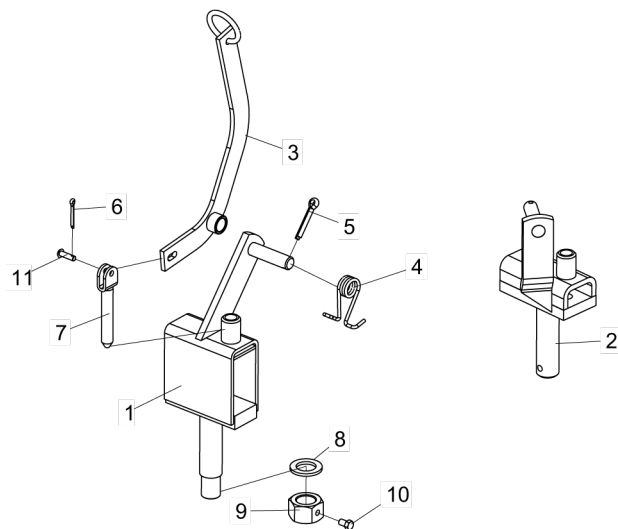
Item	Code	Product description	All	Without Hydraulic Transport	For Hydraulic Transport
1	5040020022-7	Hitch Transversal Bar		1	
1	5040010134-2	Hitch Transversal Bar			1
2	5136012684-0	Adjustment Lower Plate		1	
2	5136012685-8	Adjustment Plate			1
3	5136012686-6	Adjustment Upper Plate	1		
4	6020010414-8	Pressure Washer 3/4" Media Industry	3		
5	6020310770-9	Hexagonal Nut 3/4" 10F Unc Gr5 Ch.1.7/32" Height 18,50Mm	3		
6	6020311104-8	Hexagonal Head Bolt 3/4" X 5.1/2" 10F Unc1A Gr5 Rp	3		

## • Complete Regulator



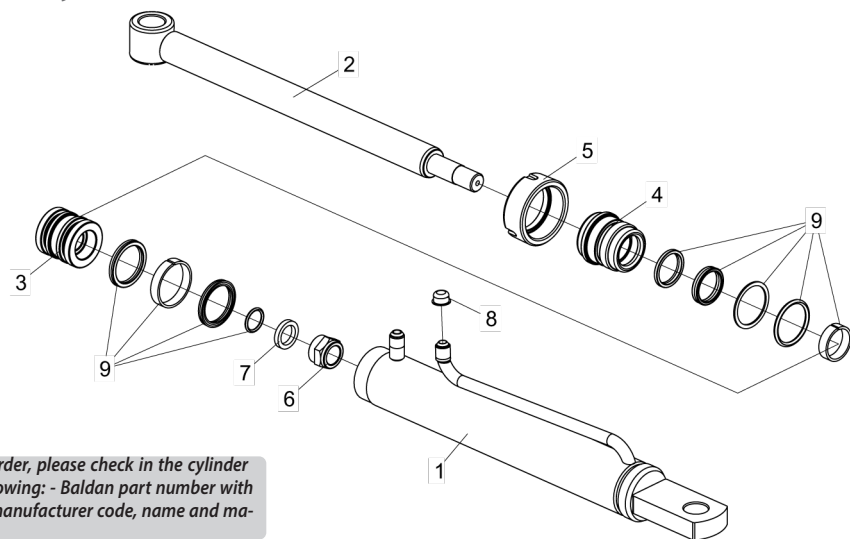
Item	Code	Product description	All
1	6020130108-7	Grease Fitting 1/8"	2
2	5484040003-7	Regulator R.1.1/4"Unc X 197Mm With Bushing	1
3	5484040002-9	Regulator R.1.1/4"Unc Left X 197Mm	1
4	5484010014-9	Draw Bar Regulator	1

## • Complete Lock Handle



Item	Code	Product description	All	NV 28 and 32 Discs	NV 36 to 56 Discs
1	5170020028-4	Lock Handle Support		1	
2	5170020008-0	Corpo Do Puxador De Trava			1
3	5090020011-8	Complete Lock Handle	1		
4	6020250372-4	Torsion Helical Spring Ø26 X Ø36 X 78Mm	1		
5	6020050114-7	Cotterpin 1/4" X 1.1/2"	1		
6	6020050101-5	Cotterpin 1/8" X 1"	1		
7	5432060017-3	Pin Of Ø19 X 110Mm With Plate	1		
8	6020010453-9	Smooth Washer M33 Ø34,00 X Ø60,00 X 5,00mm (Din 125A)		1	
9	5456010022-4	Hexagonal Nut 1.1/4" 7F Unc Gr5 Key.2" Height.31,00Mm With Hole R.3/8"		1	
10	6020311030-0	Hexagonal Head Bolt 3/8" X 5/8" 16F Unc1A Gr2 Rt		1	
11	6020310825-0	French Head Pin Ø8,3 X 25mm	1		

## • Hydraulic Cylinder



Item	Code	Product description	All
1	5144010588-6	Jacket Ø63,50(2.1/2") x 574mm	1
2	5326020008-5	Piston Rod Ø41.27 (1.5/8") x 501.5mm	1
3	5236010005-7	Piston Plung de Ø26,72 x Ø62,90 x 60mm	1
4	5152010005-2	Piston Coupling Ø41,10 X Ø70 X 68MM	1
5	5456050005-2	Cylindric Nut 73,75 12F (Piston)	1
6	5456140002-7	Nut W/Nylon R.1" Uns 14Fpp - Wrench 1.1/2" - Height 28,0Mm Special	1
7	5024010110-3	Smooth Washer Ø27 X Ø38 X 1/4"	1
8	6020390042-5	Plastic Cover Bt-21	2
9	6020190065-7	Repair Kit For Hydraulic Cylinders "D.A" 1.5/8" X 2.1/2"	2

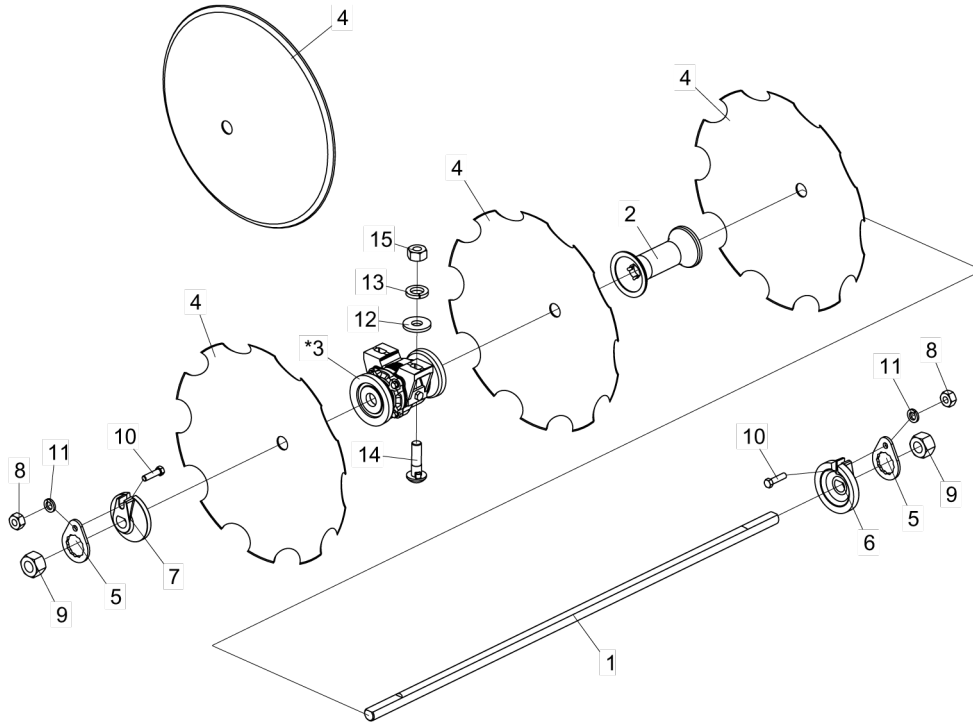
For spare parts order, please check in the cylinder jacket (1), the following: - Baldan part number with 11 numbers, the manufacturer code, name and manufacturer date.







## • Discs Section (Spacing 200mm)

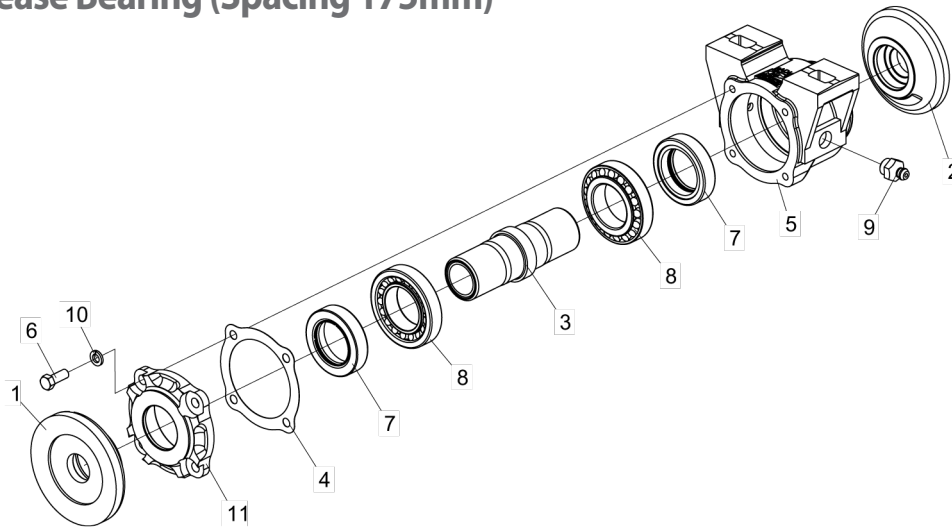


\*Item 3:  
Grease Bearing - See page 19  
Oil Bearing (Radial) - See page 20

*Disc Harrows W/Friction Bearing do not use Items 12 through 15.*

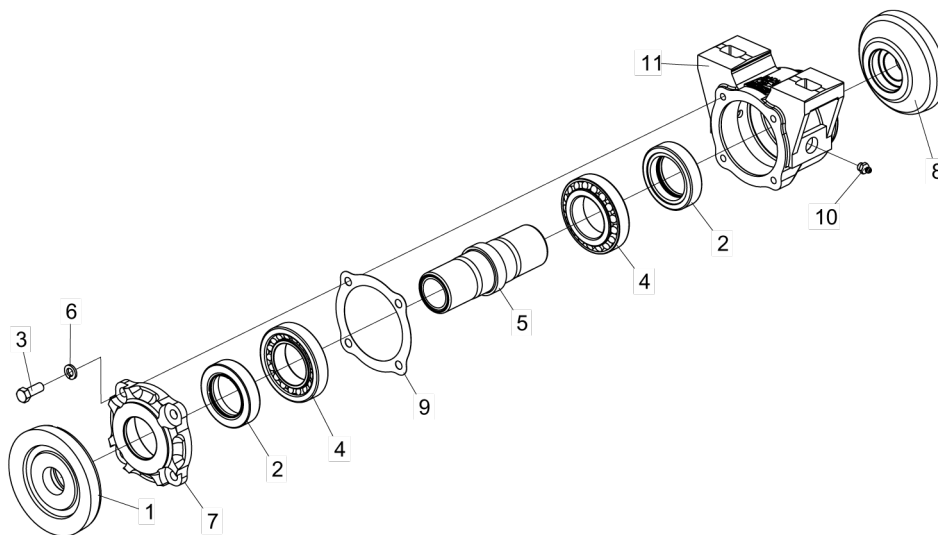
Item	Code	Product description	NV 28 Discs	NV 32 Discs	NV 36 Discs	NV 40 Discs	NV 42 Discs	NV 44 Discs	NV 48 Discs	NV 52 Discs	NV 56 Discs
1	5232050058-3	Shaft Ø1.1/4" X 1600Mm		4							
1	5232050136-9	Shaft Ø1.1/4" X 1180Mm			6	2			8	4	4
1	5232050137-7	Shaft Ø1.1/4" X 1390Mm	4			4	6	4		4	
1	5232010844-6	Shaft Ø1.1/4" X 1580Mm									4
2	5120010019-4	Spool 200Mm For Shaft ø1.1/4"	16	20	18	22	24	26	24	28	32
*3	5368010137-6	Front/Rear Grease Bearing Of 200Mm Without Protection For Shaft Ø1.1/4"	8	8	12	12	12	12	16	16	16
*3	5368010139-2	Front/Rear Oil Bearing Of 200Mm Without Protection For Shaft Ø1.1/4"	8	8	12	12	12	12	16	16	16
4	2659340181-1	Concave Plain Disc Blade 16 X 3,00 Hc Rd 1.1/4 Single Bevel	28	32	36	40	42	44	48	52	56
4	2661340181-3	Concave Plain Disc Blade 18 X 3,00 Hc Rd 1.1/4 Single Bevel	28	32	36	40	42	44	48	52	56
4	2661360181-2	Concave Plain Disc Blade 18 X 3,50 Hc Rd 1.1/4 Single Bevel	28	32	36	40	42	44	48	52	56
4	2661390181-6	Concave Plain Disc Blade 18 X 4,00 Hc Rd 1.1/4 Single Bevel	28	32	36	40	42	44	48	52	56
4	2663360181-9	Concave Plain Disc Blade 20 X 3,50 Hc Rd 1.1/4 Single Bevel	28	32	36	40	42	44	48	52	56
4	2663390181-2	Concave Plain Disc Blade 20 X 4,00 Hc Rd 1.1/4 Single Bevel	28	32	36	40	42	44	48	52	56
4	2663400181-5	Concave Plain Disc Blade 20 X 4,50 Hc Rd 1.1/4 Single Bevel	28	32	36	40	42	44	48	52	56
4	2665360181-5	Concave Plain Disc Blade 22 X 3,50 Hc Rd 1.1/4 Single Bevel	28	32	36	40	42	44	48	52	56
4	2665390181-9	Concave Plain Disc Blade 22 X 4,00 Hc Rd 1.1/4 Single Bevel	28	32	36	40	42	44	48	52	56
4	2665400181-1	Concave Plain Disc Blade 22 X 4,50 Hc Rd 1.1/4 Single Bevel	28	32	36	40	42	44	48	52	56
4	2761340181-0	Concave Notched Disc Blade 18 X 3,00 Hc Rd 1.1/4 Single Bevel	28	32	36	40	42	44	48	52	56
4	2761390181-2	Concave Notched Disc Blade 18 X 4,00 Hc Rd 1.1/4 Single Bevel	28	32	36	40	42	44	48	52	56
4	2763360181-5	Concave Notched Disc Blade 20 X 3,50 Hc Rd 1.1/4 Single Bevel	28	32	36	40	42	44	48	52	56
4	2763390181-9	Concave Notched Disc Blade 20 X 4,00 Hc Rd 1.1/4 Single Bevel	28	32	36	40	42	44	48	52	56
4	2763400181-1	Concave Notched Disc Blade 20 X 4,50 Hc Rd 1.1/4 Single Bevel	28	32	36	40	42	44	48	52	56
4	2765360181-1	Concave Notched Disc Blade 22 X 3,50 Hc Rd 1.1/4 Single Bevel	28	32	36	40	42	44	48	52	56
4	2765390181-5	Concave Notched Disc Blade 22 X 4,00 Hc Rd 1.1/4 Single Bevel	28	32	36	40	42	44	48	52	56
4	2765400181-8	Concave Notched Disc Blade 22 X 4,50 Hc Rd 1.1/4 Single Bevel	28	32	36	40	42	44	48	52	56
5	5558050004-7	Lock Of Nut Of Shaft	8	8	12	12	12	12	16	16	16
6	6010601053-9	Concave Stop Washer For Shaft Ø1.1/4"	4	4	6	6	6	6	8	8	8
7	6010601054-7	Convex Stop Washer For Shaft Ø1.1/4"	4	4	6	6	6	6	8	8	8
8	6020310754-7	Hexagonal Nut 1/2" 12F W Gr5 Ch.7/8" Height 12,00Mm	8	8	12	12	12	12	16	16	16
9	6020310793-8	Hexagonal Nut 1.1/4" 7F Unc Gr5 Ch.2" Height 31,00Mm	8	8	12	12	12	12	16	16	16
10	6020312060-8	Hexagonal Head Bolt 1/2" X 2.1/4" 12F W Gr5 Rp	8	8	12	12	12	12	16	16	16
11	6020010410-5	Pressure Washer 1/2" Media Industry	8	8	12	12	12	12	16	16	16
12	5024010298-3	Smooth Washer Ø17 X Ø44 X 4,75Mm	16	16	24	24	24	24	32	32	32
13	6020010412-1	Pressure Washer 5/8" Media Industry	16	16	24	24	24	24	32	32	32
14	6020312010-1	French Head Bolt 5/8" X 2.1/4" 11F Unc1A Gr5 Rp With Lock	16	16	24	24	24	24	32	32	32
15	6020310760-1	Hexagonal Nut 5/8" 11F Unc Gr5 Ch.1.1/16" Height 15,00Mm	16	16	24	24	24	24	32	32	32

## • Grease Bearing (Spacing 175mm)



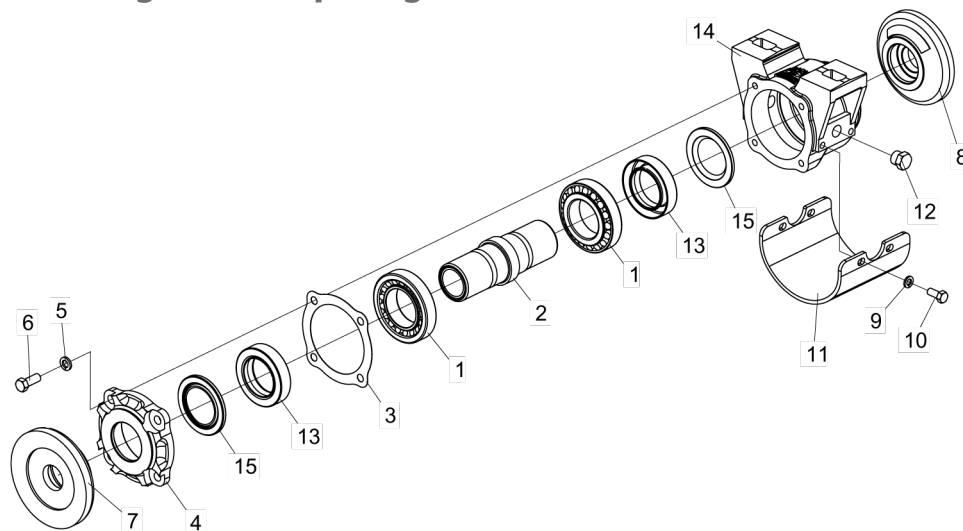
Item	Code	Product description	All
1	5024060042-8	Concave thrust washer	
2	5024060043-6	Convex thrust washer	
3	5080010284-4	Bearing bushing for axle Ø1.1/4"	1
4	6020190104-1	Paper Joint Ø90 x Ø134 x 1/64"	3
5	5368010079-5	Dnt/Trs Single Bearing To Grease W/O Protection	1
6	6020310021-6	Hex Cab Screw 3/8" X 1" 16F Unc1A Gr5 Rt	4
7	6020350236-5	Retainer Ø49.00 X Ø76.10 X 17.50Mm (Arca 5282 Gb/ Sabo 01199 Gb)	2
8	6020350054-0	Tapered Bearing 30210	2
9	6020130108-7	Grease Nipple 1/8" Straight Bsp-28F	2
10	6020010406-7	Pressure Washer 3/8" Medium	4
12	5538010031-1	Bearing Cover	1

## • Grease Bearing (Spacing 200mm)



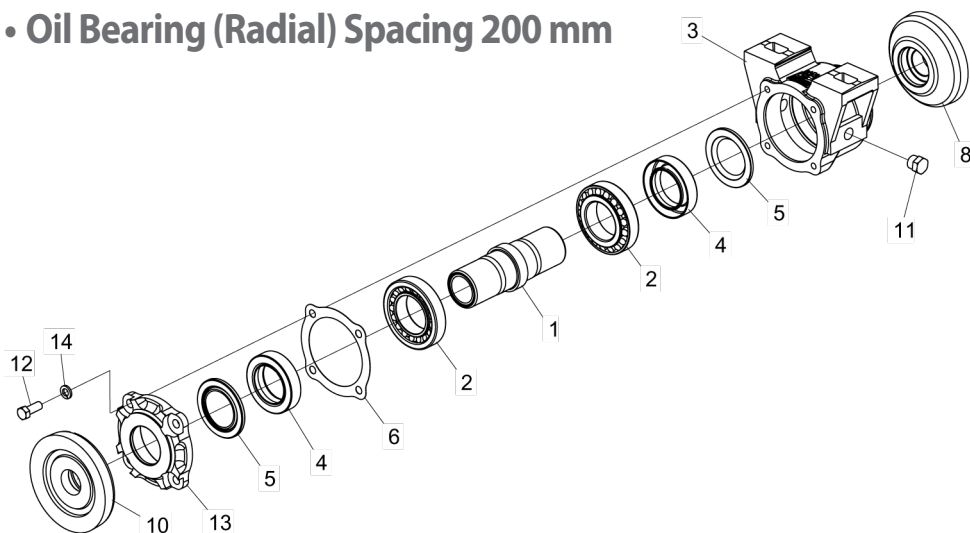
Item	Code	Product description	All
1	5024060035-5	Concave Back Washer 200Mm	1
2	6020350236-5	Retainer Ø49,00 X Ø76,10 X 17,50Mm	2
3	6020310021-6	Hexagonal Head Bolt 3/8" X 1" 16F Unc1A Gr5 Rt	4
4	6020350054-0	Bearing 30210	2
5	5080010284-4	Bearing Bushing For ShaftØ1.1/4"	1
6	6020010406-7	Pressure Washer 3/8" Media Industry	4
7	5538010031-1	Bearing Cover	1
8	5024060036-3	Washer Of 200Mm	1
9	6020190104-1	Gascket Ø90 X Ø134 X 1/64"	4
10	6020130108-7	Grease Fitting 1/8"	2
11	5368010079-5	Spare Front/Rear Grease Bearing (Without Protection)	1

## • Oil Bearing (Radial) Spacing 175 mm



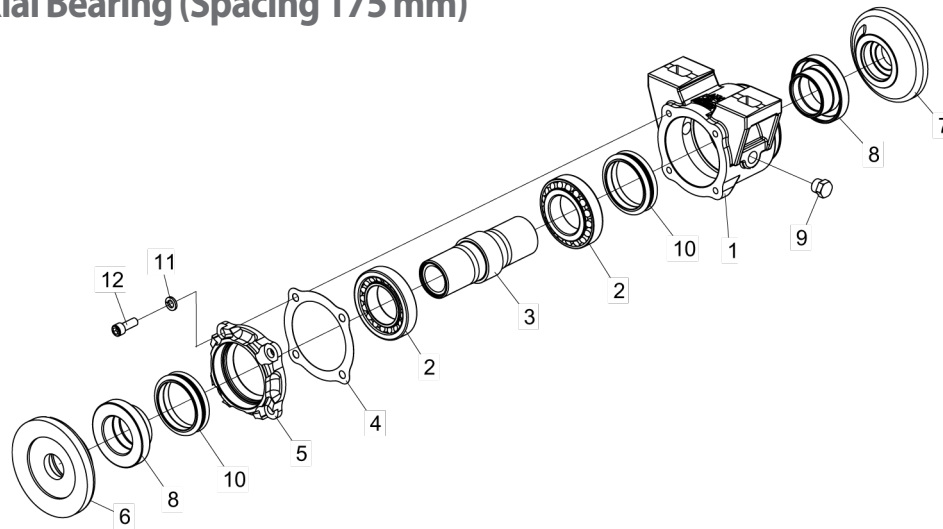
Item	Code	Product description	All	
			Without Protection	With Protection
1	6020350054-0	Bearing 30210	2	
2	5080010284-4	Bearing Bushing For Shaft $\varnothing$ 1.1/4"	1	
3	6020190104-1	Gascket $\varnothing$ 90 X $\varnothing$ 134 X 1/64"	4	
4	5538010031-1	Bearing Cover	1	
5	6020010406-7	Pressure Washer 3/8" Media Industry	4	
6	6020310021-6	Hexagonal Head Bolt 3/8" X 1" 16F Unc1A Gr5 Rt	4	
7	5024060042-8	Concave Washer	1	
8	5024060043-6	Convex Washer	1	
9	6020010404-0	Pressure Washer 5/16" Media Industry		4
10	6020312020-9	Hexagonal Head Bolt 5/16" X 3/4" 18F Unc1A Gr5 Rt		4
11	5464010078-0	Bearing Protection		1
12	5081010007-6	Hexagonal Head Plug 3/4" - R.3/8" - 19F - Bspt(Gas)	2	
13	6020350291-8	Retainer $\varnothing$ 49,00 X $\varnothing$ 76,00 X 17,50Mm	2	
14	5368010077-9	Spare Front/Rear Oil Bearing (Without Protection)		1
14	5368010482-0	Spare Front/Rear Oil Bearing W/Protection		1
15	6020010472-5	Washer 1199(Joinseal)-1002(Arca)	2	

## • Oil Bearing (Radial) Spacing 200 mm



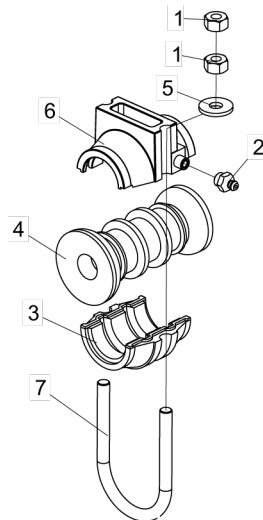
Item	Code	Product description	All
1	5080010284-4	Bearing Bushing For Shaft $\varnothing$ 1.1/4"	1
2	6020350054-0	Bearing 30210	2
3	5368010077-9	Spare Front/Rear Oil Bearing (Without Protection)	1
4	6020350291-8	Retainer $\varnothing$ 49,00 X $\varnothing$ 76,00 X 17,50Mm	2
5	6020010472-5	Washer 1199(Joinseal)-1002(Arca)	2
6	6020190104-1	Gascket $\varnothing$ 90 X $\varnothing$ 134 X 1/64"	4
8	5024060036-3	Washer Of 200Mm	1
10	5024060035-5	Concave Back Washer 200Mm	1
11	5081010007-6	Hexagonal Head Plug 3/4" - R.3/8" - 19F - Bspt(Gas)	2
12	6020310021-6	Hexagonal Head Bolt 3/8" X 1" 16F Unc1A Gr5 Rt	4
13	5538010031-1	Bearing Cover	1
14	6020010406-7	Pressure Washer 3/8" Media Industry	4

## • Axial Bearing (Spacing 175 mm)



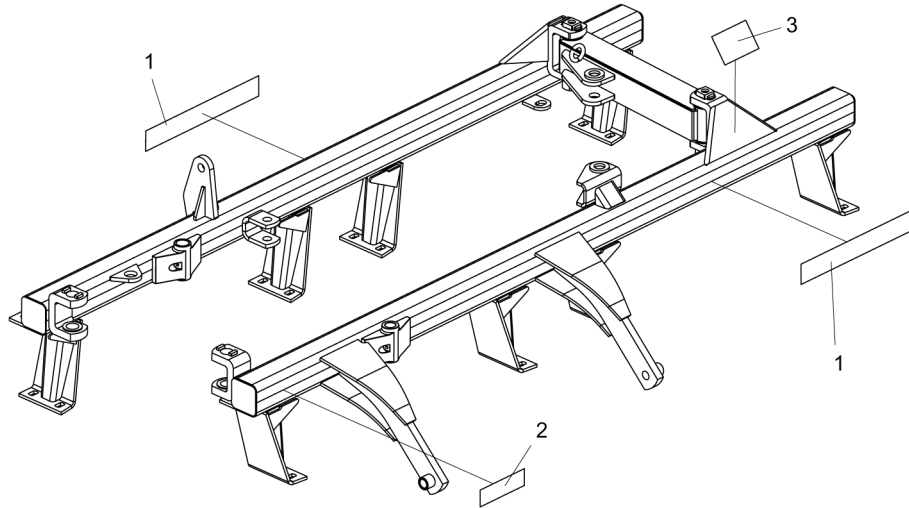
Item	Code	Product description	All
1	5368010406-5	Dnt/trs Single Axial Bearing Without Protection	1
2	6020350054-0	Tapered Bearing 30210	2
3	5080010320-4	Thrust Bearing Bushing	1
4	6020190104-1	Paper Joint Ø90 x Ø134 x 1/64"	3
5	5538016078-0	Bearing Cover	1
6	5024010743-8	190Mm Concave thrust washer	1
7	5024010742-0	190Mm Convex Stop Washer	1
8	5080010319-0	Axial Overlapping Bushing	2
9	5081010007-6	Hex Plug 3/4" - R.3/8" - 19F - Bspt(Gas)	2
10	6020010992-1	Axial sealing ring Ø62 x Ø78Mm	2
11	6020010406-7	Pressure Washer 3/8" Medium Industrial	4
12	6020310189-1	Allen Screw C/C 3/8" X 1" 16F Unc1A Rt	4

## • Friction Bearing(Spacing 175 mm)

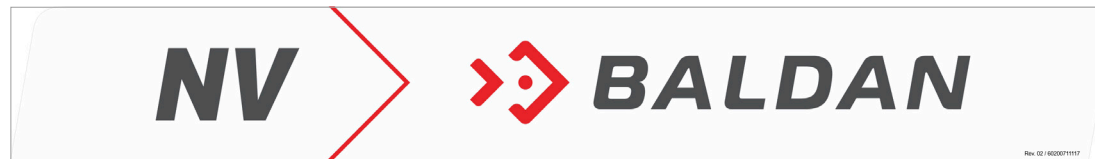


Item	Code	Product description	All
1	6020310760-1	Hexagonal Nut 5/8" 11F Unc Gr5 Ch.1.1/16" Height 15,00Mm	4
2	6020130108-7	Grease Fitting 1/8"	1
3	6010600061-4	Lower Friction Bearing	1
4	6010600101-7	Spool With Ring	1
5	5024010298-3	Smooth Washer Ø17 X Ø44 X 4,75Mm	2
6	5368020014-5	Upper Friction Bearing	1
7	5068010059-1	Clamp Ø5/8" X 111Mm	1

## • Stickers



Item	Code	Product description	All
1	6020071111-7	Sticker Nv-Baldan (500 X 70Mm)	2
2	6020070886-8	Sticker Lubricate And Retighten (58 X 195Mm)	1
3	5206010310-0	Sticker Disc Warning (150 X 95Mm)	1



Item 1



Item 2



Item 3





Avenida Baldan, 1500  
Nova Matão  
15.993-900  
Matão/SP - Brasil  
sac@baldan.com.br  
export@baldan.com.br

+55 16 3221 6500  
[baldan.com.br](http://baldan.com.br)