

Parts Catalog



ACD N

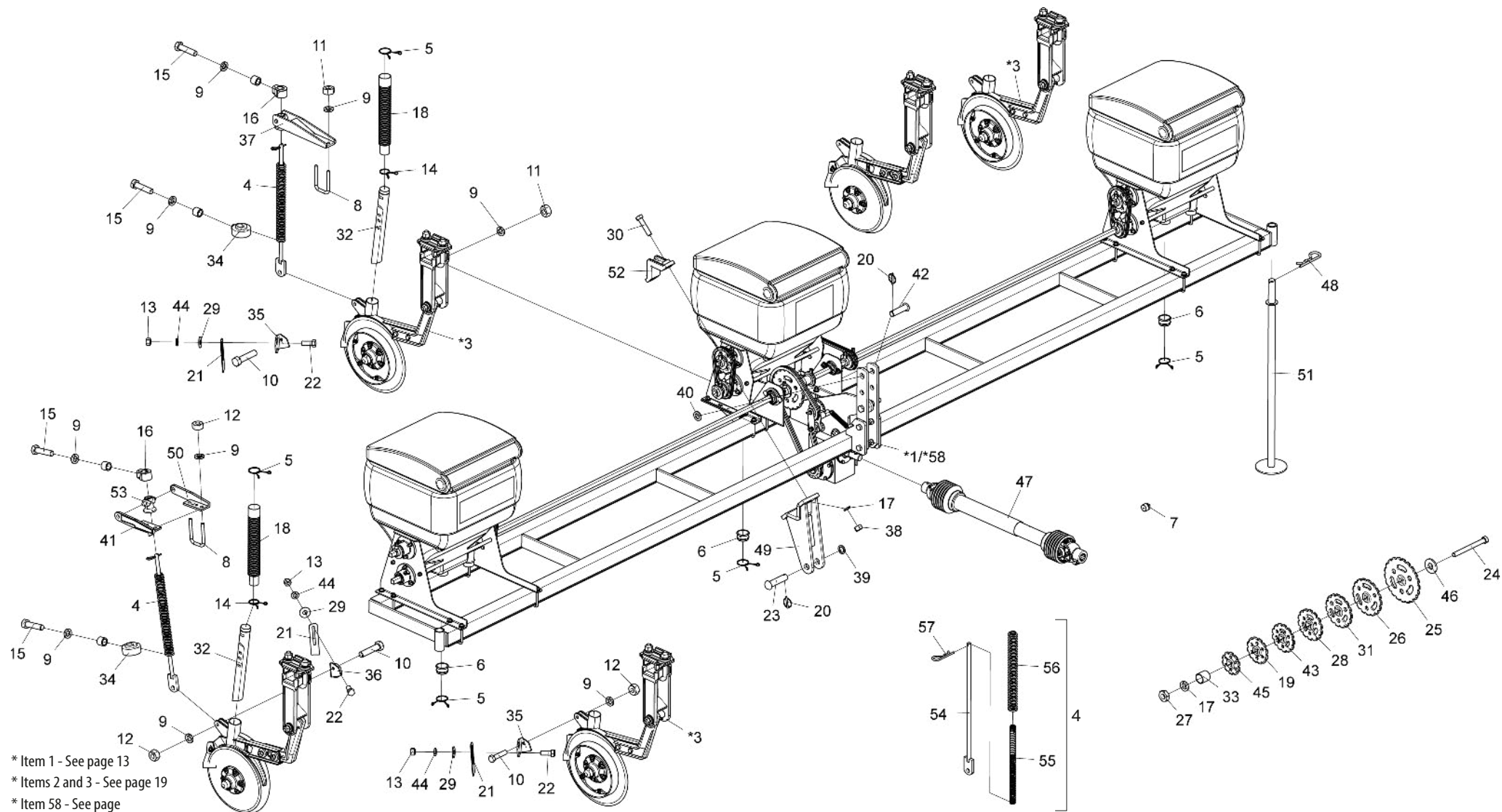
Mounted Row Crop Fertilizer for
Conservation Tillage

 **BALDAN**

▪ Index

<i>ACD-N With Discs</i>	<i>4</i>
<i>Table ACD-N With Discs</i>	<i>5-10</i>
<i>ACD-N Without Discs</i>	<i>11</i>
<i>Table ACD-N Without Discs.....</i>	<i>12</i>
<i>Complete Gang Without Mixer</i>	<i>13</i>
<i>Table Complete Gang Without Mixer</i>	<i>14-15</i>
<i>Complete Gang With Mixer.....</i>	<i>16</i>
<i>Table Complete Gang Without Mixer</i>	<i>17-18</i>
<i>Double Eccentric Disc Row</i>	<i>19</i>
<i>Table Double Eccentric Disc Row</i>	<i>20</i>
<i>Complete Rear Fertilizer Box.....</i>	<i>21</i>
<i>Table Complete Rear Fertilizer Box.....</i>	<i>22</i>
<i>Complete Right/Left Fertilizer Box.....</i>	<i>23</i>
<i>Transmission Box.....</i>	<i>24</i>
<i>Stickers</i>	<i>24</i>

• ACD-N With Discs

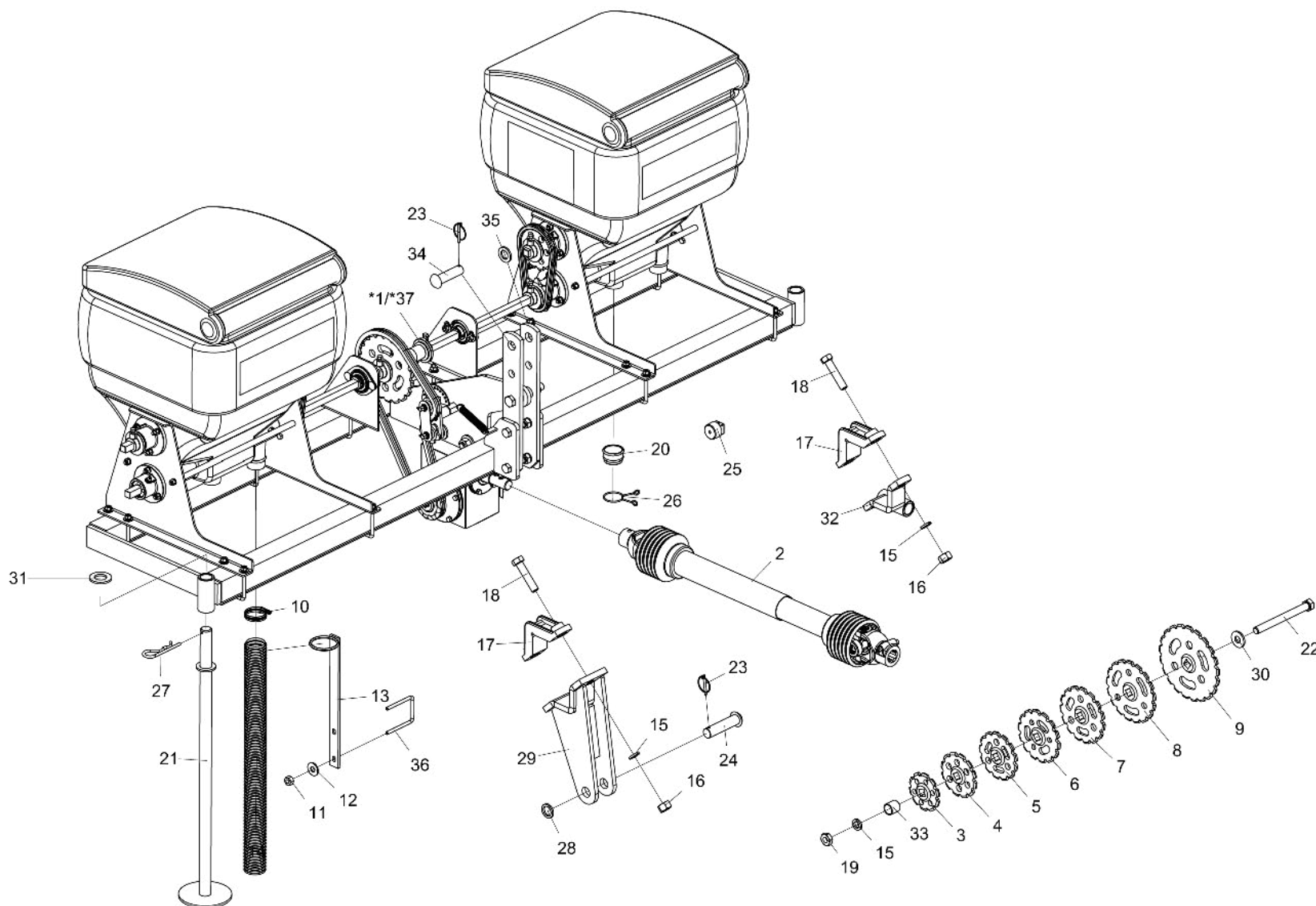


* Item 1 - See page 13

* Items 2 and 3 - See page 19

* Item 58 - See page

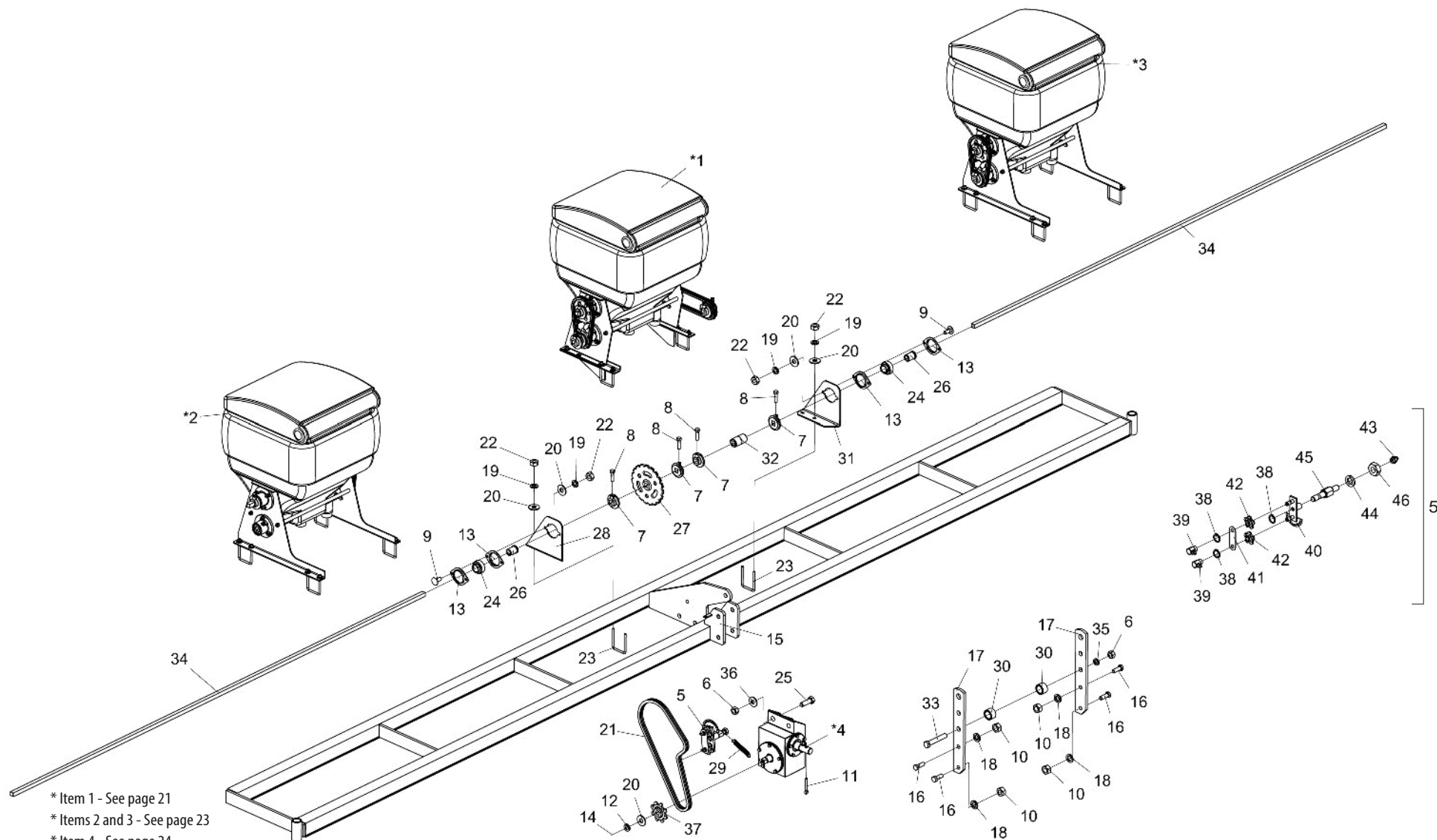
• ACD-N Without Discs



* Item 1 - See page 13

* Item 37 - See page 16

• **Complete Gang Without Mixer**

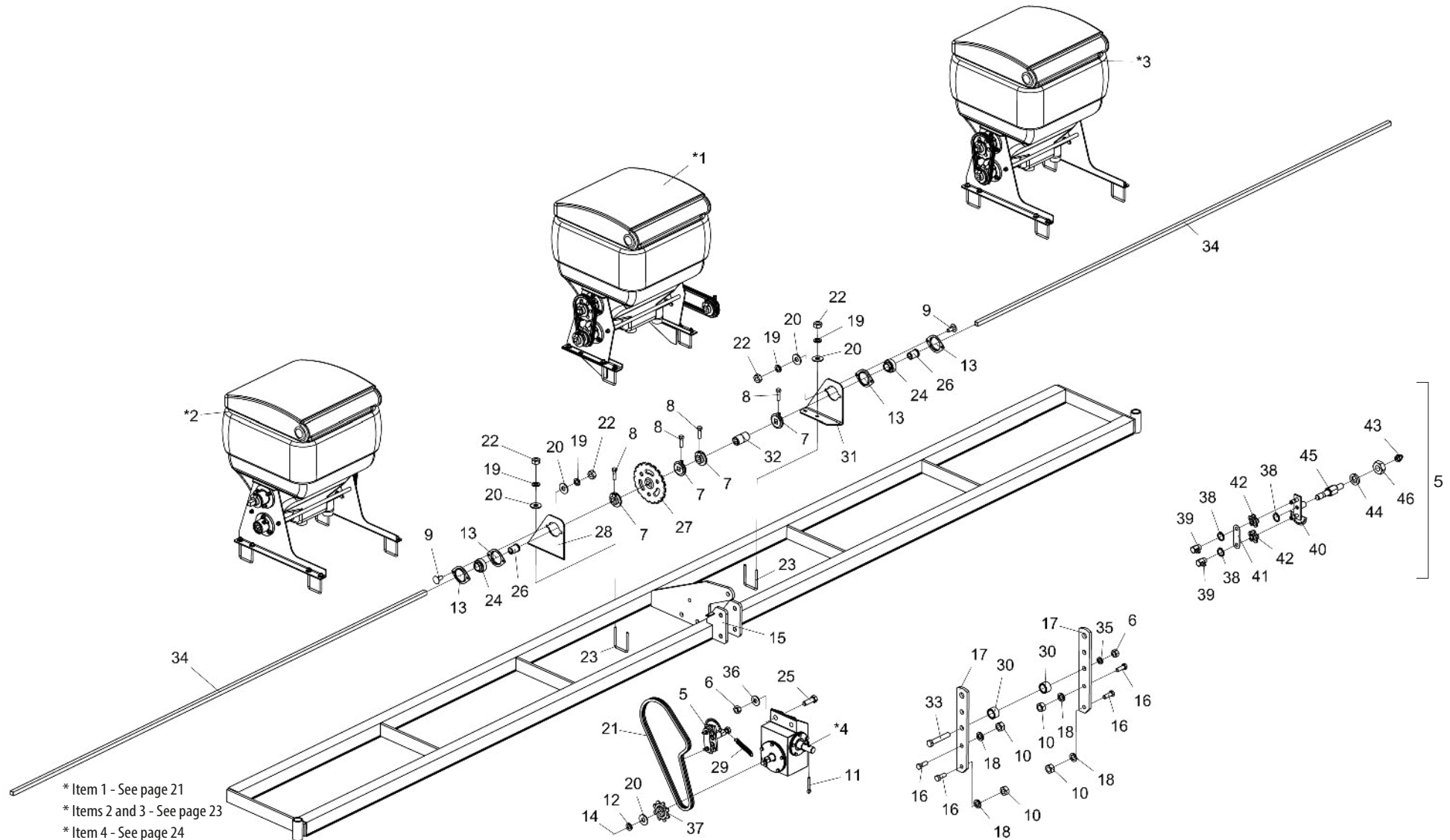


* Item 1 - See page 21
 * Items 2 and 3 - See page 23
 * Item 4 - See page 24

• Table Complete Gang Without Mixer

Item	Code	Product description	All																																					
				ACD-N 02x02	ACD-N 03x02	ACD-N 03x03	ACD-N 04x02	ACD-N 04x03	ACD-N 04x04	ACD-N 05x03	ACD-N 05x04	ACD-N 05x05	ACD-N 06x03	ACD-N 06x04	ACD-N 06x05	ACD-N 06x06	ACD-N 07x04	ACD-N 07x05	ACD-N 07x06	ACD-N 07x07	ACD-N 08x04	ACD-N 08x05	ACD-N 08x06	ACD-N 08x07	ACD-N 09x05	ACD-N 09x06	ACD-N 09x07	ACD-N 10x05	ACD-N 10x06	ACD-N 10x07	ACD-N 11x06	ACD-N 11x07	ACD-N 12x06	ACD-N 12x07	ACD-N 13x07	ACD-N 14x07				
27	5256020010-2	Gear 19 Teeth	1																																					
28	5530010532-6	Support Of Hub Of Right Shaft	1																																					
29	6020250245-0	Helical Spring Ø14 X Ø19 X 130Mm	1																																					
30	5080020502-3	Bushing Of Ø23 X Ø32 X 20,5Mm	2																																					
31	5530010531-8	Support Of Hub Of Left Shaft	1																																					
32	6010600397-4	Bushing With Hole Sq.20 X 73Mm	1																																					
33	6020310274-0	Hexagonal Head Bolt M20 X 2,50 X 120Mm Cl8.8 Rp	1																																					
34	5232060158-4	Shaft Q3/4" X 1125Mm	2	2	2	2	2	2		2			2																											
34	5232060159-2	Shaft Q3/4" X 1450Mm	2	2	2	2	2	2		2																														
34	5232060160-6	Shaft Q3/4" X 1650Mm	2	2	2	2	2	2	2	2	2	2	2	2	2	2	2	2	2	2	2	2	2	2	2	2	2	2	2	2	2	2	2	2	2	2	2	2	2	2
34	5232060161-4	Shaft Q3/4" X 1850Mm	2	2	2	2	2	2	2	2	2	2	2	2	2	2	2	2	2	2	2	2	2	2	2	2	2	2	2	2	2	2	2	2	2	2	2	2	2	
34	5232060162-2	Shaft Q3/4" X 2100Mm	2	2	2	2	2	2	2	2	2	2	2	2	2	2	2	2	2	2	2	2	2	2	2	2	2	2	2	2	2	2	2	2	2	2	2	2	2	2
34	5232060054-5	Shaft Q3/4" X 2250Mm	2	2	2	2	2	2	2	2	2	2	2	2	2	2	2	2	2	2	2	2	2	2	2	2	2	2	2	2	2	2	2	2	2	2	2	2	2	2
34	5232060190-8	Shaft Q3/4" X 2750Mm	2	2	2	2	2	2	2	2	2	2	2	2	2	2	2	2	2	2	2	2	2	2	2	2	2	2	2	2	2	2	2	2	2	2	2	2	2	2
35	6020010403-2	Pressure Washer M20 Media	1																																					
36	5024010007-7	Smooth Washer Ø20,3 X Ø46,5 X 4,75Mm	2																																					
37	5256020003-0	Reduction Gear 8 Teeth	1																																					
38	6020010252-8	Retaining Oring	3																																					
39	6020130112-5	Grease Fitting 1/8"	2																																					
40	5268010091-8	Upper Chain Stretcher	1																																					
41	5136020043-8	Stretcher Front Plate	1																																					
42	6020090502-7	Sprocket 5012-1	2																																					
43	6020130108-7	Grease Fitting 1/8"	1																																					
44	6020010412-1	Pressure Washer 5/8" Media Industry	1																																					
45	5232010161-1	Stretcher Shaft 110Mm	1																																					
46	6020310738-5	Hexagonal Nut 5/8" 11F Unc Gr5 Ch.1.1/16" Height 11,00Mm	1																																					

• Complete Gang With Mixer

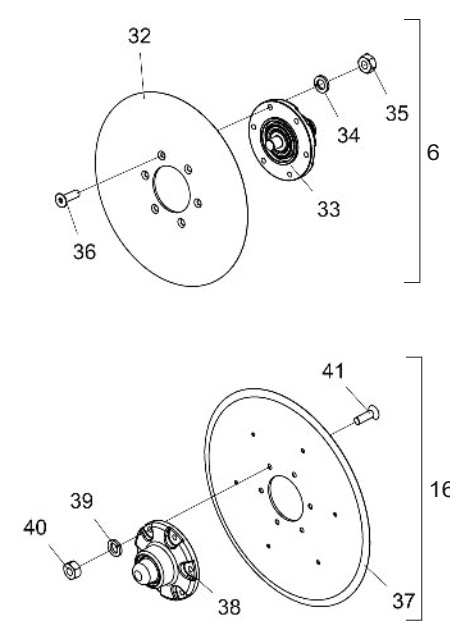
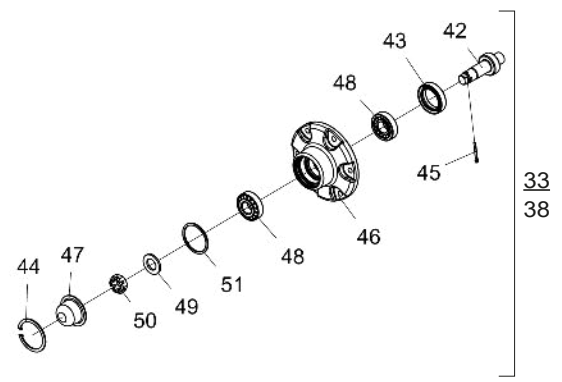
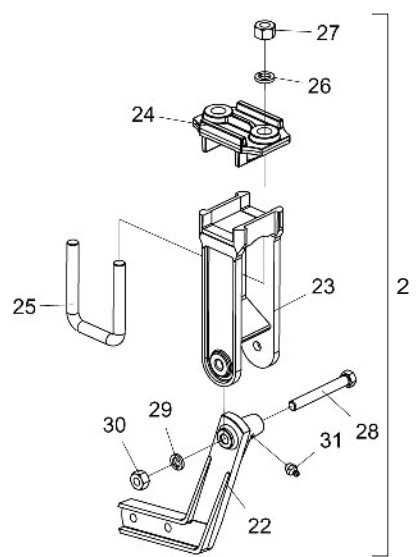
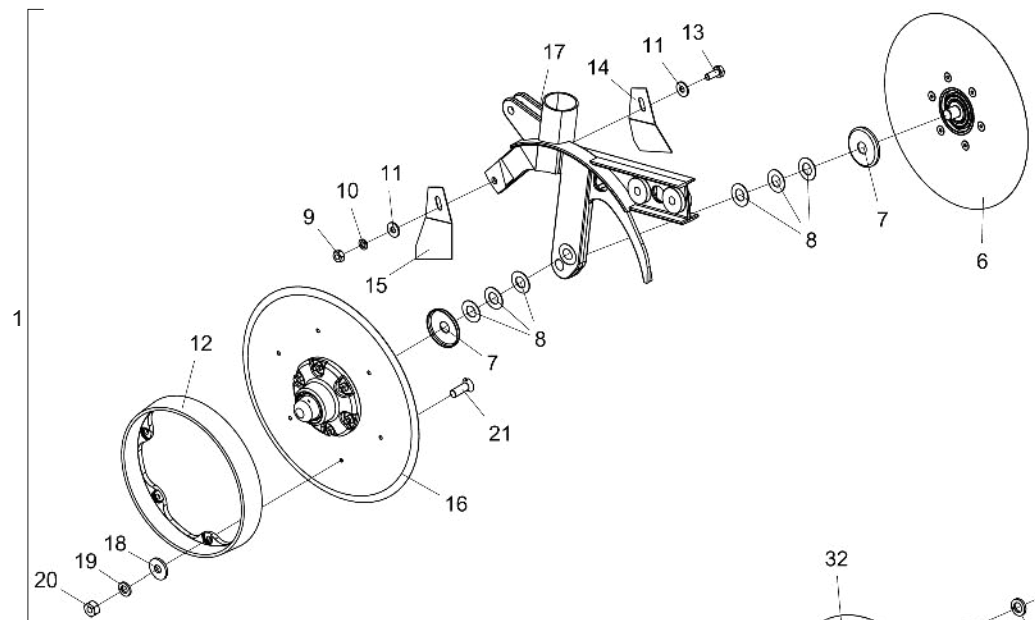
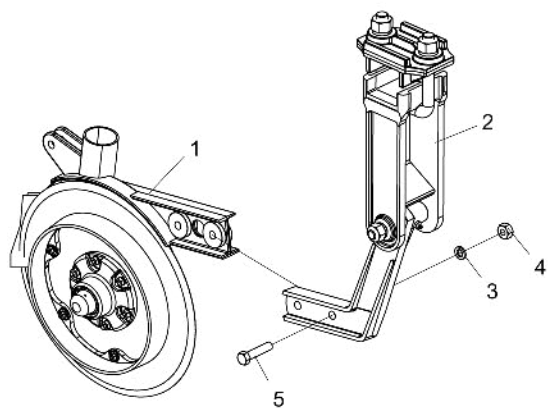


* Item 1 - See page 21

* Items 2 and 3 - See page 23

* Item 4 - See page 24

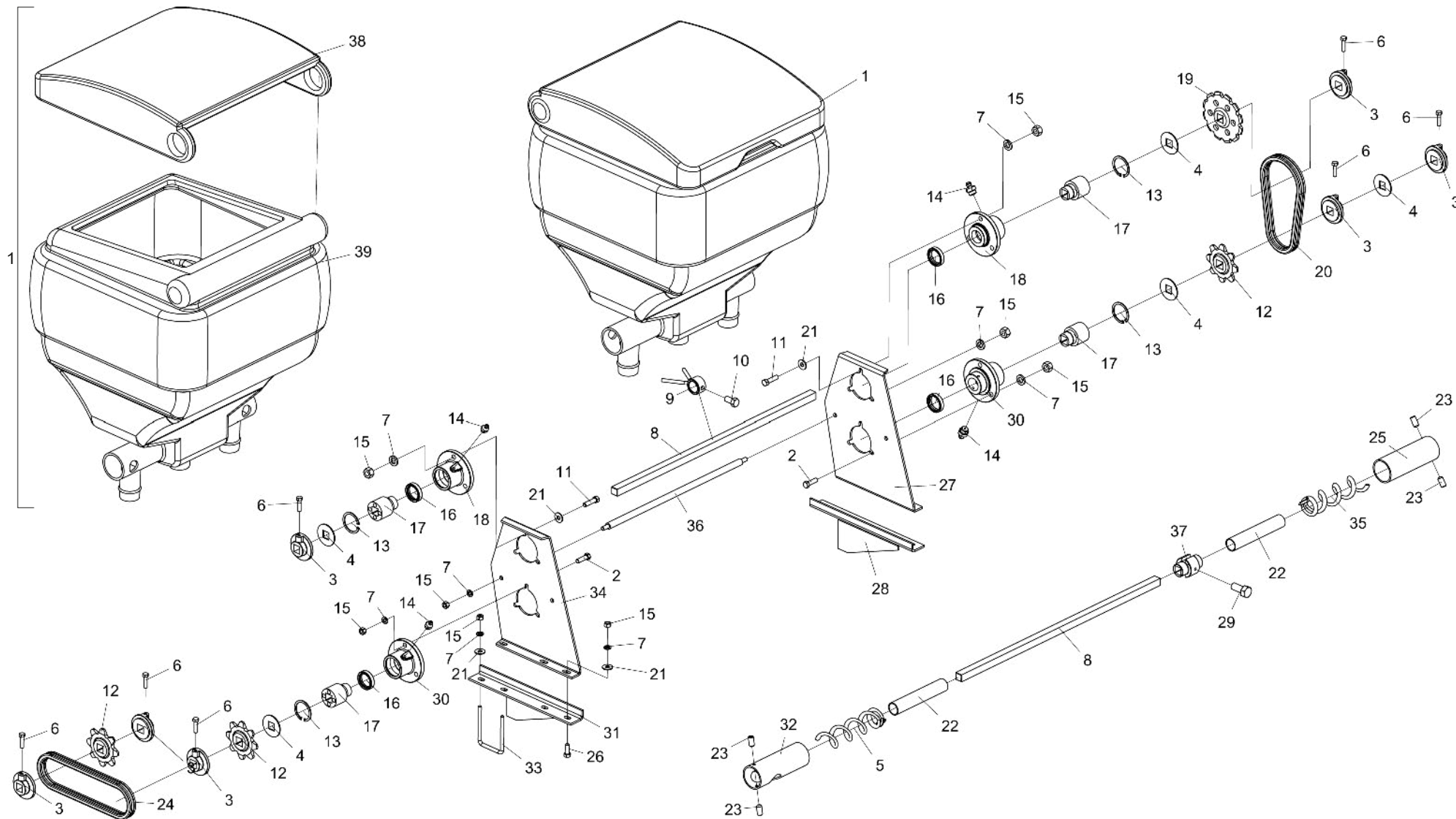
• **Double Eccentric Disc Row**



• Table Double Eccentric Disc Row

Item	Code	Product description	All	Right	Left	Item	Code	Product description	All	Right	Left
1	5124030039-0	Complete Right Cart Of Double Disc With Ring		1		30	6020310760-1	Hexagonal Nut 5/8" 11F Unc Gr5 Ch.1.1/16" Height 15,00Mm	1		
1	5124030038-2	Complete Left Row Of Double Disc With Ring			1	31	6020130108-7	Grease Fitting 1/8"	1		
2	5530010338-2	Complete Right Support Of Cart		1		32	2853397276-6	Coulter Plain Disc Blade 13 X 4,00 Hc Rd 80Mm + 6H Rd 8,7Mm D=115Mm Single Bevel	1		
2	5530010339-0	Left Support Of Complete Cart			1	33	5204010149-7	Left Disc Hub		1	
3	6020010410-5	Pressure Washer 1/2" Media Industry	2			33	5204010150-0	Right Disc Hub			1
4	6020310754-7	Hexagonal Nut 1/2" 12F W Gr5 Ch.7/8" Height 12,00Mm	2			34	6020010004-5	Pressure Washer M8 Media	6		
5	6020312060-8	Hexagonal Head Bolt 1/2" X 2.1/4" 12F W Gr5 Rp	2			35	6020310454-8	Hexagonal Nut M8 X 1,25 Ma C18 Ch.13Mm H.6,50Mm	6		
6	5204010154-3	Complete Left Hub Without Limiter Ring (Plain Disc 13" X 4,00Mm)		1		36	6020317573-9	Allen Bolt M8 X 1,25 X 25mm C12.9 RT	6		
6	5204010153-5	Complete Right Hub Without Limiter Ring (Coulter Disc Blade 13" X 4,00Mm)			1	37	2857398003-6	Coulter Plain Disc Blade 15 X 4,00 Hc Rd 80Mm + 6H Rd 8,7Mm R=57,5Mm + 6H Rd 6,9Mm	1		
7	5096040002-7	Hub Internal Cap	2			38	5204010150-0	Right Disc Hub		1	
8	5024010024-7	Smooth Washer Ø20 X Ø38 X 1,21Mm	6			38	5204010149-7	Left Disc Hub			1
9	6020310746-6	Hexagonal Nut 3/8" 16F Unc Gr5 Ch.9/16" Height 8,50Mm	1			39	6020010004-5	Pressure Washer M8 Media	6		
10	6020010406-7	Pressure Washer 3/8" Media Industry	1			40	6020310454-8	Hexagonal Nut M8 X 1,25 Ma C18 Ch.13Mm H.6,50Mm	6		
11	5024010075-1	Smooth Washer Ø10,3 X Ø25 X 2,00Mm	2			41	6020317573-9	Allen Bolt M8 X 1,25 X 25mm C12.9 RT	6		
12	6010600077-0	Deph Limiter Ring (55Mm)	1			42	5232010076-3	Shaft Ø36 X 94Mm With Left Thread	1		
13	6020310054-2	Hexagonal Head Bolt 3/8" X 1" 16F Unc1A Gr2 Rt	1			42	5232010077-1	Shaft Ø36 X 94Mm With Right Thread	1		
14	5352030048-8	Left Scraper Of Discs	1			43	6020350268-3	Retainer Ø36,00 X Ø52,00 X 11,00Mm	2		
15	5352030047-0	Right Scraper Of Discs	1			44	6020010289-7	Retaining Ring I-55	2		
16	5204010159-4	Complete Right Hub For Limiter Ring (Coulter Disc Blade 15" X 4,00Mm)		1		45	6020050101-5	Cotterpin 1/8" X 1"	2		
16	5204010160-8	Complete Left Hub For Limiter Ring (Plain Disc 15" X 4,00Mm)			1	46	5204010148-9	Hub Of Ø136 X 54Mm	2		
17	5530410042-6	Right Support Of Double Disc		1		47	6020050641-6	Hub Cap	2		
17	5530410041-8	Left Support Of Double Disc			1	48	6020350087-7	Bearing 30204	4		
18	5024010161-8	Smooth Washer Ø7 X Ø18 X 2,00Mm	6			49	6020010513-6	Plain Washer Ø20 X Ø35 X 3Mm	2		
19	6020010402-4	Pressure Washer 1/4" Media Industry	6			50	6020310797-0	Nut 3/4" 16F Unf Gr5 Ch.1.1/16" Height 13,00Mm	2		
20	6020310742-3	Hexagonal Nut 1/4" 20F Unc Gr5 Ch.7/16" Height 5,50Mm	6			51	6020010095-9	Gascket Ring 047X 052X 2Mm	2		
21	6020310147-6	Bolt 1/4" X 3/4" 20F Unc1A Gr5 Rt	6								
22	5072070027-9	Right Support Arm		1							
22	5072070028-7	Left Support Arm			1						
23	5252040050-8	Hitch Of Discs Support	1								
24	6010600422-9	Upper Support Of 3° Hitch Point	1								
25	5068010001-0	Clamp Of 104 X 157 X 3/4"	1								
26	6020010414-8	Pressure Washer 3/4" Media Industry	2								
27	6020310770-9	Hexagonal Nut 3/4" 10F Unc Gr5 Ch.1.7/32" Height 18,50Mm	2								
28	6020311081-5	Hexagonal Head Bolt 5/8" X 5" 11F Unc1A Gr5 Rp	1								
29	6020010412-1	Pressure Washer 5/8" Media Industry	1								

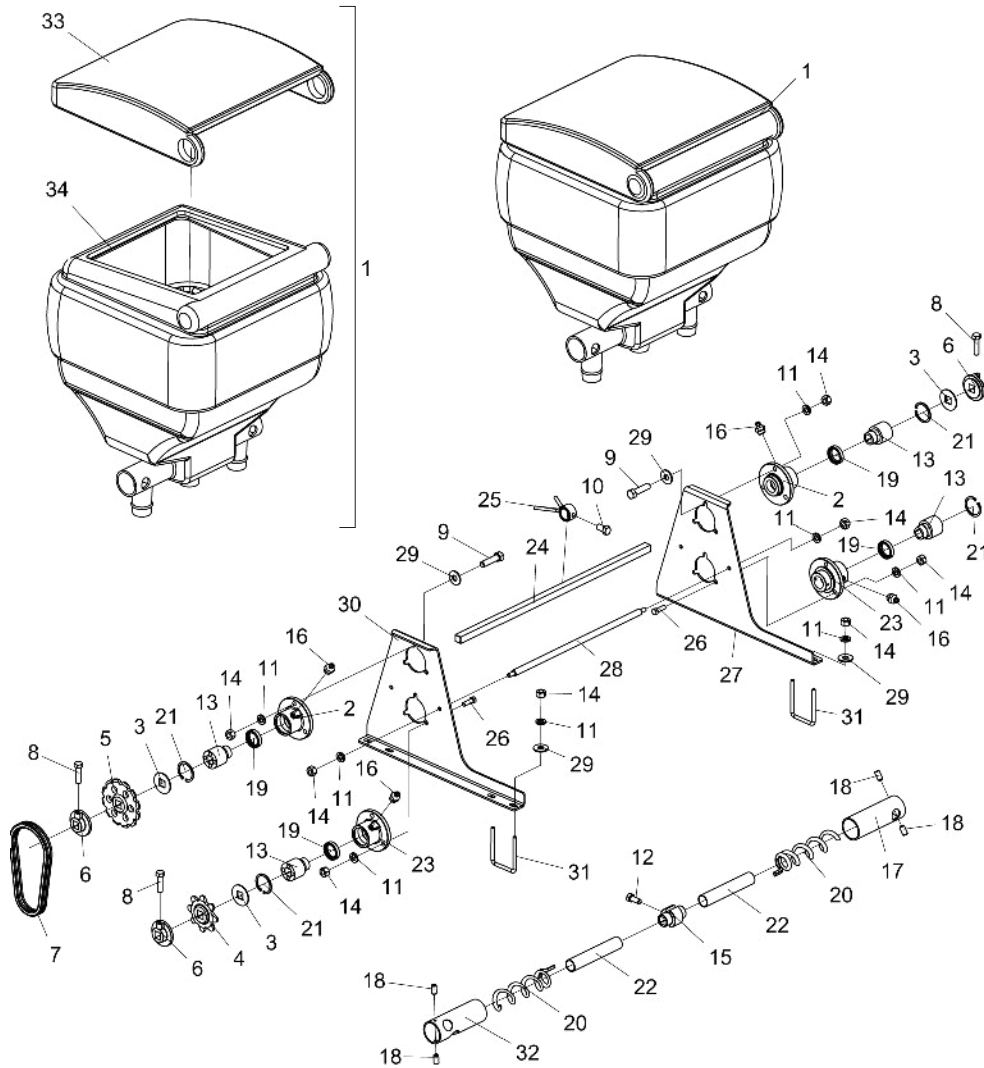
• Complete Rear Fertilizer Box



• Table Complete Rear Fertilizer Box

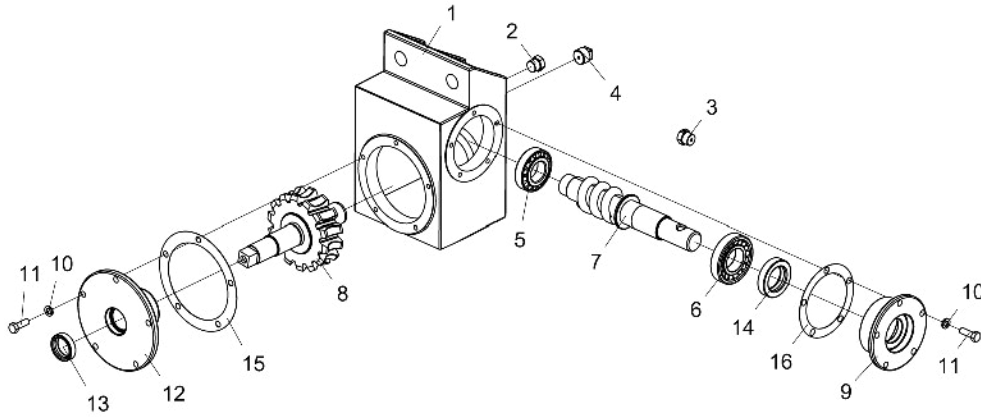
Item	Code	Product description	All				
				Without Mixer for 2 Rows	Without Mixer for 1 Row	With Mixer for 2 Rows	With Mixer for 1 Row
1	6020055122-5	Plastic Box For Fertilizer 100 Liters With Cover For Mixer(Red Ral-3020)	1				
2	6020310026-7	Hexagonal Head Bolt 3/8" X 1.1/4" 16F Unc1A Gr5 Rt	6				
3	6020010522-5	Plastic Washer Hole Sq. 3/4" With Dimple	4	4	7	7	
4	5024070007-4	Smooth Washer Ø20 X Ø56,5 X 3,00Mm	2	3	5	5	
5	6020250355-4	Right Helical Conductor Ø34 X 221 X 7,93Mm(Pace 50,8Mm)	1	2	1	2	
6	6020311023-8	Hexagonal Head Bolt 5/16" X 1.1/4" 18F Unc1A Gr5 Rt	4	4	7	7	
7	6020010406-7	Pressure Washer 3/8" Media Industry	16	16	22	22	
8	5232010162-0	Shaft Sq.3/4" X 700Mm	1	1	2	2	
9	5396010008-1	Cotton Mixer				2	2
10	6020311045-9	Hexagonal Head Bolt 1/2" X 1" 12FW Gr5 Rt				2	2
11	6020311029-7	Hexagonal Head Bolt 3/8" X 1.1/2" 16F Unc1A Gr5 Rt				6	6
12	5256020003-0	Reduction Gear 8 Teeth	2	2	3	3	
13	6020010016-9	Retaining Ring I-51	2	2	4	4	
14	6020130108-7	Grease Fitting 1/8"	2	2	4	4	
15	6020310746-6	Hexagonal Nut 3/8" 16F Unc Gr5 Ch.9/16" Height 8,50Mm	16	16	22	22	
16	6020350255-1	Retainer Ø35,00 X Ø47,00 X 10,00Mm	2	2	4	4	
17	6020030667-0	Bushing With Square Hole 20Mm	2	2	4	4	
18	5204010173-0	Distribution Hub				2	2
19	5256020005-6	Gear 12 Teeth				1	1
20	6020050027-2	Chain 2050 Of 18 Links + Reduction				1	1
21	5024010075-1	Smooth Washer Ø10,3 X Ø25 X 2,00Mm	6	6	12	12	
22	5108010099-3	Pipe Of Ø32 X 175Mm	2				
23	6020310094-1	Allen Bolt S/C 1/4" X 1/2" 20F Unc1A Cl12.9 Rt (Phosphated)	4				
24	6020050016-7	Chain 2050 Of 21 Links + Amendment	1				
25	6020050230-5	Left Pipe Of Fertilizer Box	1				
26	6020310021-6	Hexagonal Head Bolt 3/8" X 1" 16F Unc1A Gr5 Rt	2				
27	5136140235-2	Left Lateral Plate	1				
28	5530010341-2	Right Support Of Rear Box	1				
29	6020312020-9	Hexagonal Head Bolt 5/16" X 3/4" 18F Unc1A Gr5 Rt	1				
30	5204010193-4	Distribution Hub	2				
31	5530010342-0	Left Support Of Rear Box	1				
32	6020050229-1	Right Pipe Of Fertilizer Box	1				
33	5068010066-4	Clamp Of 75 X 100 X 3/8"	2				
34	5136140234-4	Right Lateral Plate	1				
35	6020250354-6	Left Helical Conductor Ø34 X 221 X 7,93Mm(Pace 50,8Mm)		1		1	
36	5566080093-9	Rod Of Ø5/8" X 505Mm	2				
37	5080010225-9	Spacer Bushing Of Spring	1				
38	6020390427-7	Cover Of Fertilizer Plastic Hopper 100 Liters (Black)	1				
39	6020055117-9	Plastic Box For Fertilizer 100 Liters Without Cover	1				

• Complete Right/Left Fertilizer Box



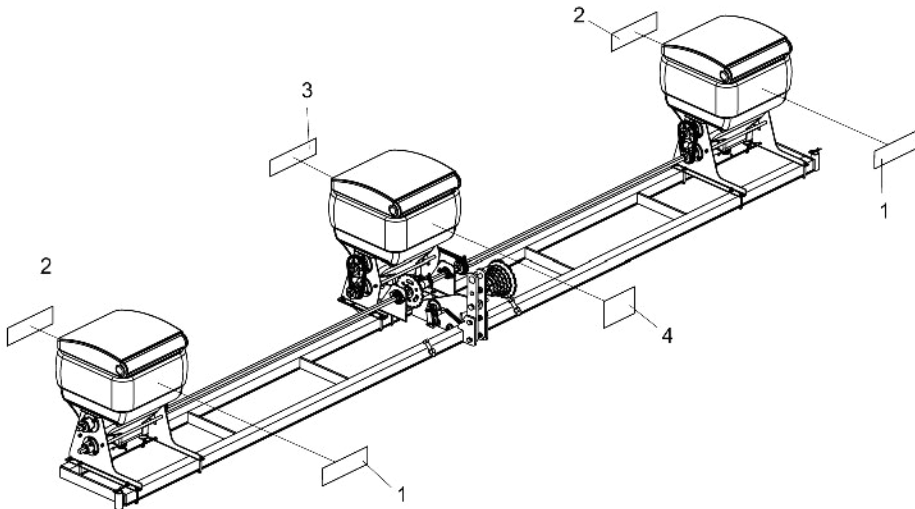
Item	Code	Product description	All	Without Mixer	With Mixer	Without Mixer	With Mixer	Without Mixer	With Mixer	Without Mixer	With Mixer
				For1 Row	For1 Row	For2 Rows	For2 Rows	For1 Row	For1 Row	For2 Rows	For2 Rows
1	6020055122-5	Plastic Box For Fertilizer 100 Liters With Cover For Mixer(Red Ral-3020)	1								
2	5204010173-0	Distribution Hub			2		2		2		2
3	5024070007-4	Smooth Washer Ø20 X Ø56,5 X 3,00Mm			3		3		3		3
4	5256020003-0	Reduction Gear 8 Teeth			1		1		1		1
5	5256020005-6	Gear 12 Teeth			1		1		1		1
6	6020010522-5	Plastic Washer Hole Sq. 3/4" With Dimple			3		3		3		3
7	6020050027-2	Chain 2050 Of 18 Links + Reduction			1		1		1		1
8	6020311023-8	Hexagonal Head Bolt 5/16" X 1.1/4" 18F Unc1A Gr5 Rt			3		3		3		3
9	6020311029-7	Hexagonal Head Bolt 3/8" X 1.1/2" 16F Unc1A Gr5 Rt			6		6		6		6
10	6020311045-9	Hexagonal Head Bolt 1/2" X 1" 12FW Gr5 Rt			2		2		2		2
11	6020010406-7	Pressure Washer 3/8" Media Industry		18	24	18	24	18	24	18	24
12	6020312020-9	Hexagonal Head Bolt 5/16" X 3/4" 18F Unc1A Gr5 Rt	1								
13	6020030667-0	Bushing With Square Hole 20Mm		2	4	2	4	2	4	2	4
14	6020310746-6	Hexagonal Nut 3/8" 16F Unc Gr5 Ch.9/16" Height 8,50Mm		18	24	18	24	18	24	18	24
15	5080010225-9	Spacer Bushing Of Spring	1								
16	6020130108-7	Grease Fitting 1/8"		2	4	2	4	2	4	2	4
17	6020050229-1	Right Pipe Of Fertilizer Box	1								
18	6020310094-1	Allen Bolt S/C 1/4" X 1/2" 20F Unc1A Cl12.9 Rt (Phosphated)	4								
19	6020350255-1	Retainer Ø35,00 X Ø47,00 X 10,00Mm		2	4	2	4	2	4	2	4
20	6020250354-6	Left Helical Conductor Ø34 X 221 X 7,93Mm(Pace 50,8Mm)		2	2	1	1			1	1
20	6020250355-4	Right Helical Conductor Ø34 X 221 X 7,93Mm(Pace 50,8Mm)				1	1	2	2	1	1
21	6020010016-9	Retaining Ring I-51		2	4	2	4	2	4	2	4
22	5108010099-3	Pipe Of Ø32 X 175Mm	2								
23	5204010193-4	Distribution Hub	2								
24	5232010162-0	Shaft Sq.3/4" X 700Mm			1		1		1		1
25	5396010008-1	Cotton Mixer			2		2		2		2
26	6020310026-7	Hexagonal Head Bolt 3/8" X 1.1/4" 16F Unc1A Gr5 Rt	6								
27	5136014737-5	Right Lateral Plate	1								
28	5566080093-9	Rod Of Ø5/8" X 505Mm	2								
29	5024010075-1	Smooth Washer Ø10,3 X Ø25 X 2,00Mm		8	14	8	14	8	14	8	14
30	5136014738-3	Left Lateral Plate	1								
31	5068010066-4	Clamp Of 75 X 100 X 3/8"	4								
32	6020050230-5	Left Pipe Of Fertilizer Box	1								
33	6020390427-7	Cover Of Fertilizer Plastic Hopper 100 Liters (Black)	1								
34	6020055117-9	Plastic Box For Fertilizer 100 Liters Without Cover	1								

• Transmission Box



Item	Code	Product description	All
1	6020058203-1	Housing For Reductor Box(Macopema 54.06.03.006.016)	1
2	6020030770-7	Hexagonal Head Plug 3/4" - R.3/8" - 19F - Bspt(Gas)(Macopema 52.03.16.012.004)	1
3	6020030769-3	Hexagonal Head Plug 3/4" - R.3/8" - 19F - Bspt(Gas With Hole Ø3,18Mm)(Macopema 54.06.02.022.002)	1
4	6020030771-5	Galvanised Plug R.1/2" X 14 Npt C/Furo De 3,00Mm(Macopema)	1
5	6020350060-5	Bearing 30206	1
6	6020350080-0	Bearing 30207	1
7	6020317566-6	Pinon	1
8	6020090682-1	Shaft W/Crown 14Z	1
9	6020395061-9	Cover Of Pinion Shaft (Macopema 54.06.20.020.001)	1
10	6020010404-0	Pressure Washer 5/16" Media Industry	1
11	6020310038-0	Hexagonal Head Bolt 5/16" X 1" 18F Unc1A Gr5 Rt	1
12	6020395062-7	Large Cover Of Reductor Box(Macopema 54.06.20.019.001)	1
13	6020350202-0	Retainer Ø28,60 X Ø39,70 X 9,50Mm	1
14	6020350214-4	Retainer Ø35,00 X Ø56,05 X 12,00Mm	1
15	6020190108-4	Gascket Ø116 X Ø150 X 1/64"	1
16	6020190101-7	Gascket Ø83 X Ø110 X 1/64"	1

• Stickers



Item	Code	Product description	All
1	6020071780-8	Sticker Acd-N (110 X 365Mm)	2
2	6020071378-0	Sticker Baldan (110 X 365Mm)	2
3	6020072278-0	White Sticker(100 X 370mm)	-
4	5206010175-2	Sticker Ammonium Sulfate / Urea Distribution Table	1



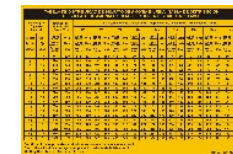
Item 1



Item 2



Item 3



Item 4



Avenida Baldan, 1500
Nova Matão
15.993-900
Matão/SP - Brasil
sac@baldan.com.br
export@baldan.com.br

+55 16 3221 6500
baldan.com.br