

Parts Catalog



SPD

No Till Seed Drill

 **BALDAN**

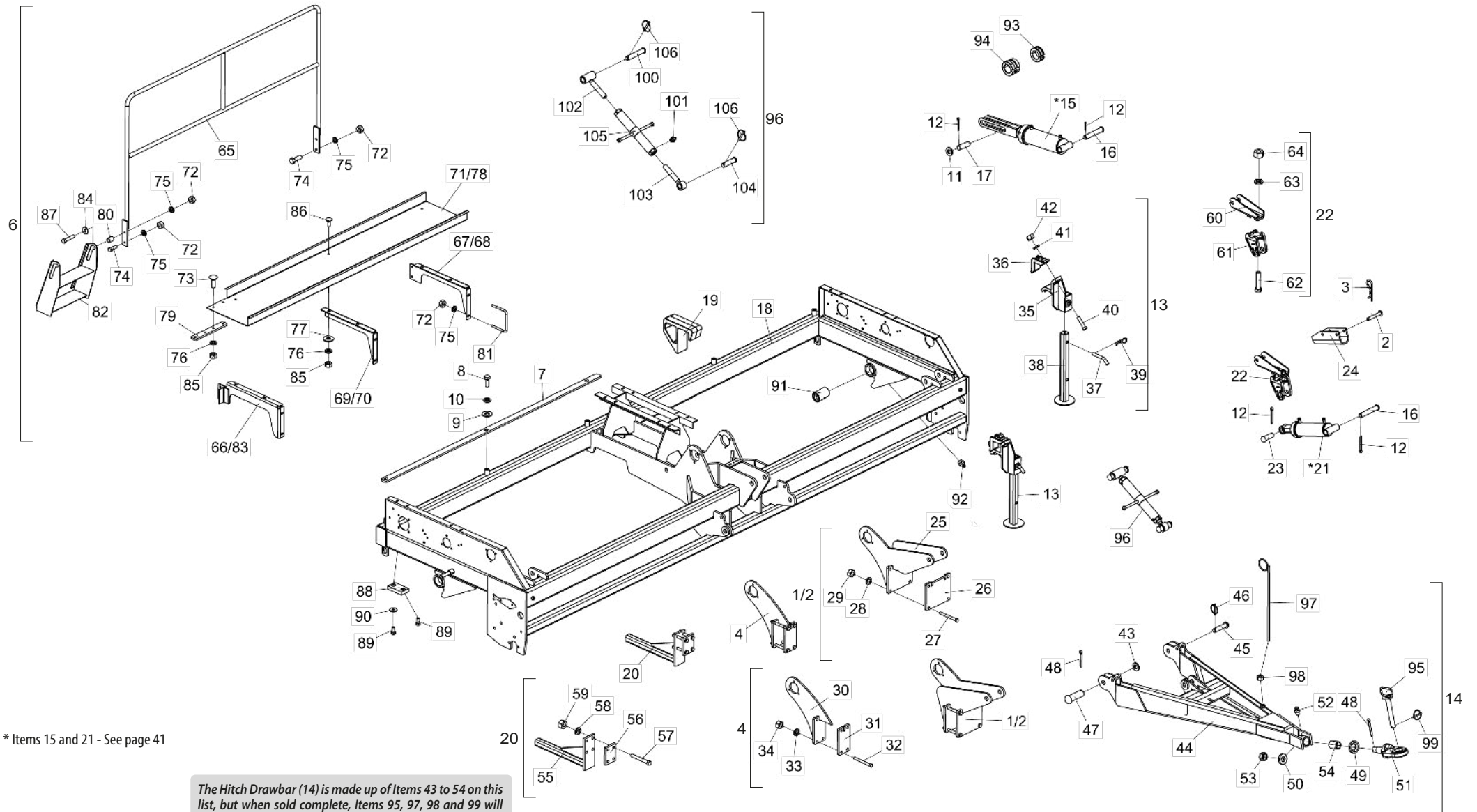
Index

Main Frame	5	Cylinder of Tyres Lifting	41
Table Main Frame	6-7	Cylinder of Rows Drive	41
Transmission System	8	Speed Box.....	42
Table Transmission System	9	Seed Mixer (Optional)	43
Complete Wheel Support.....	10	Table Seed Mixer (Optional)	44
Table Complete Wheel Support.....	11	Complete Digital Hectarimeter (Optional).....	45
Lateral Protection.....	12	Planting Rows	46
Lateral Protection For SPD W/Pasture Seed Hopper	12	Table Planting Rows	47-48
Hopper SPD 3000	13	Row W/ "V" Compactation Wheel (Standart)	49
Table Hopper SPD 3000	14-15	Table Row W/ "V" Compactation Wheel (Standart).....	50-51
Hopper SPD 4000/5000	16	Row W/ "V" Compactation Wheel (Frieze 40 and 55mm).....	52
Table Hopper SPD 4000/5000	17-18	Table Row W/ "V" Compactation Wheel (Frieze 40 and 55mm).....	53-57
Hopper SPD 3000 W/Pasture Seed Hopper.....	19	Row W/Rippled Cutting Disc W/Triple "V" Compactation Wheel "V "	58
Table Hopper SPD 3000 W/Pasture Seed Hopper.....	20-21	Table Row W/Rippled Cutting Disc W/Triple "V" Compactation Wheel "V "	59-60
Hopper SPD 4000/5000 W/Pasture Seed Hopper	22	Row W/Concave Compactation Wheel.....	61
Table Hopper SPD 4000/5000 W/Pasture Seed Hopper.....	23-24	Table Row W/Concave Compactation Wheel.....	62-63
Pasture Seed Hopper SPD 3000.....	25	Row W/Concave Compactation Wheel W/Regulator Support.....	64
Table Pasture Seed Hopper SPD 3000.....	26	Table Row W/Concave Compactation Wheel W/Regulator Support.....	65-66
Pasture Seed Hopper 4000/5000	27	Row W/Concave Compactation Wheel W/Large Regulator Support.....	67
Table Pasture Seed Hopper 4000/5000	28	Table Row W/Concave Compactation Wheel W/Large Regulator Support.....	68
Hopper SPD 3000 (Plastic Box).....	29	Row W/Concave Compactation Wheel W/Regulator Support and Frieze 40mm.....	69
Table Hopper SPD 3000 (Plastic Box)	30-31	Table Row W/Concave Compactation Wheel W/Regulator Support W/Frieze 40mm..	70-71
Hopper SPD 4000/5000 (Plastic Box).....	32	Row W/Concave Compactation Wheel and Frieze 40mm	72
Table Hopper SPD 4000/5000 (Plastic Box).....	33-34	Table Row W/Concave Compactation Wheel and Frieze 40mm	73-74
Hydraulic System W/Distributor for Simple Control Without Row Marker.....	35	Row W/Convex Compactation Wheel	75
Hydraulic System W/Distributor for Double Control Without Row Marker	36	Table Row W/Convex Compactation Wheel.....	76-77
Hydraulic System Without Distributor for Simple Control Without Row Marker...	37	Row W/Convex Compactation Wheel W/Regulator Support	78
Hydraulic System W/Row Marker.....	38	Table Row W/Convex Compactation Wheel W/Regulator Support	79-80
Table Hydraulic System W/Row Marker	39	Row W/Convex Compactation Wheel and Frieze 40mm	81
Hydraulic System for Lateral Transport (Optional for SPD-5000)	40	Table Row W/Convex Compactation Wheel and Frieze 40mm	82-83

▪ Index

<i>Row W/ Iron Compactation Wheel.....</i>	<i>84</i>
<i>Table Row W/ Iron Compactation Wheel.....</i>	<i>85-86</i>
<i>Row W/ Iron Compactation Wheel and Frieze 40mm.....</i>	<i>87</i>
<i>Table Row W/ Iron Compactation Wheel and Frieze 40mm.....</i>	<i>88-89</i>
<i>Row W/Rippled Cutting Disc and Smooth Compactation Wheel.....</i>	<i>90</i>
<i>Table Row W/Rippled Cutting Disc and Smooth Compactation Wheel.....</i>	<i>91-92</i>
<i>Complete "V" Compactation Wheel.....</i>	<i>93</i>
<i>Complete "V" Compactation Wheel (Exccentric).....</i>	<i>94</i>
<i>Table Complete "V" Compactation Wheel (Exccentric).....</i>	<i>95</i>
<i>Smooth/Concave/Convex Compactation Wheel.....</i>	<i>96</i>
<i>Depth Wheel W/Regulator Support.....</i>	<i>97</i>
<i>Iron Compactation Wheel.....</i>	<i>98</i>
<i>Mechanical lateral Transport (Optional) for 3000/4000/5000.....</i>	<i>99</i>
<i>Semi-Hydraulic Lateral Transport (Optional) for 4000/5000.....</i>	<i>100</i>
<i>Table Semi-Hydraulic Lateral Transport (Optional) for 4000/5000.....</i>	<i>101</i>
<i>Lateral Transport Cylinder.....</i>	<i>102</i>
<i>Stickers.....</i>	<i>103-105</i>

• Main Frame



* Items 15 and 21 - See page 41

The Hitch Drawbar (14) is made up of Items 43 to 54 on this list, but when sold complete, Items 95, 97, 98 and 99 will not accompany it.

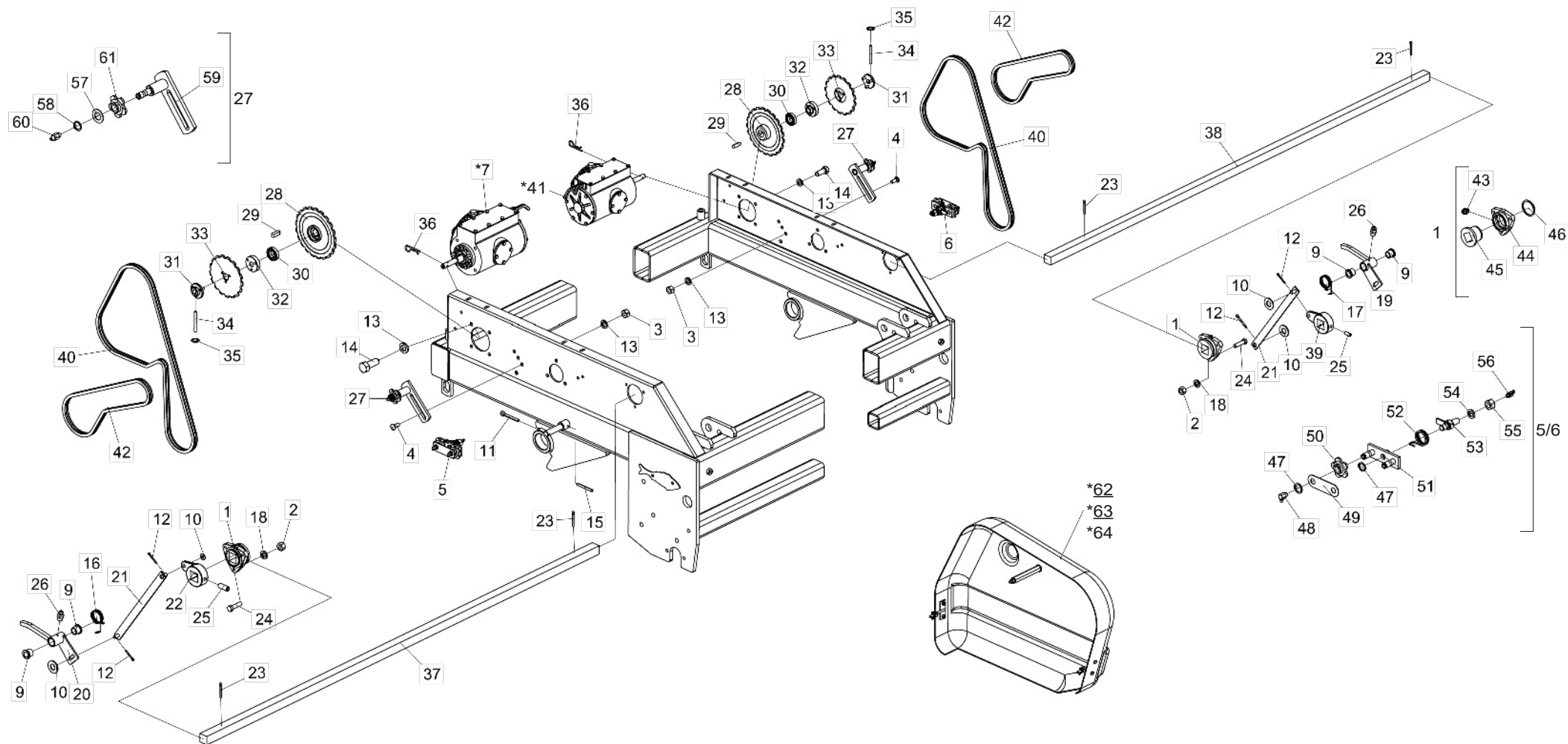
• Table Main Frame

Item	Code	Product description	All	SPD			Item	Code	Product description	All	SPD		
				3000	4000	5000					3000	4000	5000
1	5530011491-0	Adjustment Right Support Of Piston	1				28	6020010124-6	Pressure Washer M16 Media	8			
2	5530011492-9	Adjustment Left Support Of Piston	1				29	6020310818-7	Hexagonal Nut M16 X 2,00 Ma Cl8 Ch.24mm H.13,00mm	8			
3	6020390308-4	Lock Nma - Type "R" Ø4,5 X 80mm	4				30	5530140054-2	Fixation Support Of Piston	1			
4	5530011490-2	Support Of Shaft				2	31	5136010334-3	Plate Of 210 X 113,5 X 5/8"	1			
5	6020310421-1	French Head Pin Ø9,8 X 61mm	4				32	6020310073-9	Hexagonal Head Bolt M16 X 2,00 X 160mm Cl8.8 Rp	4			
6	5440010891-1	Complete Platform For Plastic Box (SPD-3000)		1			33	6020010124-6	Pressure Washer M16 Media	4			
6	5440010892-0	Complete Platform For Plastic Box (SPD-4000)			1		34	6020310818-7	Hexagonal Nut M16 X 2,00 Ma Cl8 Ch.24mm H.13,00mm	4			
6	5440010893-8	Complete Platform For Plastic Box (SPD-5000)				1	35	6010601107-1	Back Fixation Support	2			
7	5040121048-0	Bar Of 51 X 1490 X 12,5mm			2		36	6010600770-8	Clamp	2			
7	5040121049-8	Bar de 51 X 1890 X 12,5mm				2	37	5432020032-9	Pin "L" Ø3/4" X 94mm	2			
7	5040121050-1	Bar 51 X 2230 X 125mm				2	38	5530030115-0	Support Of 540mm	2			
8	6020310179-4	Hexagonal Head Bolt 5/8" X 1.3/4" 11F Unc1A Gr5 Rt	6				39	6020390308-4	Lock Nma - Type "R" Ø4,5 X 80mm	2			
9	5024010239-8	Smooth Washer Ø16,5 X Ø37 X 3,00mm	6				40	6020311098-0	Hexagonal Head Bolt 3/4" X 3.1/2" 10F Unc1A Gr5 Rp	4			
10	6020010412-1	Pressure Washer 5/8" Media Industry	6				41	6020010414-8	Pressure Washer 3/4" Media Industry	4			
11	5024010249-5	Smooth Washer Ø32 X Ø60 X 6,30mm(Galvanised)	4				42	6020310770-9	Hexagonal Nut 3/4" 10F Unc Gr5 Ch.1.7/32" Height 18,50mm	4			
12	6020050116-3	Cotterpin 1/4" X 2"	10				43	5024010249-5	Smooth Washer Ø32 X Ø60 X 6,30mm(Galvanised)	2			
13	5530030118-4	Complete Support 540mm	2				44	5084010121-2	Hitch Drawbar	1			
14	5084040099-6	Complete Hitch Drawbar	1				45	5432120038-1	French Head Pin Ø3/4" X 75mm	2			
*15	6020055700-2	Hydraulic Cylinder "O.D" Ø1.5/8" X Ø4" X 219mm(Course) X 571mm(Closed)	2				46	6020390301-7	Lock Ø5,75 X 50mm	2			
16	5432120117-5	French Head Pin Ø30,53 X 165mm	4				47	5432120025-0	French Head Pin Ø30,53 X 85mm	2			
17	5432010032-4	Flat Pin Ø1.1/4" X 95mm	2				48	6020050116-3	Cotterpin 1/4" X 2"	3			
18	5404050147-1	Main Frame SPD-3000		1			49	5080010151-1	Bushing Of Drawbar	1			
18	5404050145-5	Main Frame SPD-4000			1		50	5024010327-0	Smooth Washer Ø45 X Ø87 X 12,00mm	1			
18	5404050143-9	Main Frame SPD-5000				1	51	5024010332-7	Smooth Washer Ø39 X Ø75 X 12,50mm	1			
19	6010601211-6	Counterweight		16	20	24	52	5332010018-2	Spare Hitch Shackle	1			
20	5530011493-7	Support Of Complete Chock Absorver	2				53	6020130100-1	Grease Fitting 1/4"	1			
*21	6020055703-7	Hydraulic Cylinder "O.D" Ø1.5/8" X Ø3.1/4" X 200mm(Course) X 492mm(Closed)	2				54	6020310857-8	Nut 1.1/2" 12F Unf Gr2 Ch.2" Height 30,00mm	1			
22	5252010119-5	Piston Hitch Complete	2				55	5530030121-4	Support Of Chock Absorver	2			
23	5432120025-0	French Head Pin Ø30,53 X 85mm	2				56	5530530138-7	Fixation Support	2			
24	5558040007-7	Piston Lock Of 190mm	2				57	6020311081-5	Hexagonal Head Bolt 5/8" X 5" 11F Unc1A Gr5 Rp	8			
25	5530140052-6	Adjustment Right Support Of Piston	1				58	6020010412-1	Pressure Washer 5/8" Media Industry	8			
25	5530140053-4	Left Support Of Piston	1				59	6020310760-1	Hexagonal Nut 5/8" 11F Unc Gr5 Ch.1.1/16" Height 15,00mm	8			
26	5136010332-7	Plate Of Adjustment Support	2				60	5530420142-7	Complete Support Of Spring	2			
27	6020310073-9	Hexagonal Head Bolt M16 X 2,00 X 160mm Cl8.8 Rp	8				61	5252010050-4	Piston Hitch	2			

• Table Main Frame

Item	Code	Product description	All				Item	Code	Product description	All			
				SPD 3000	SPD 4000	SPD 5000					SPD 3000	SPD 4000	SPD 5000
62	6020311098-0	Hexagonal Head Bolt 3/4" X 3.1/2" 10F Unc1A Gr5 Rp	4				91	5080011446-0	Shaft Bushing Of The Articulation	2			
63	6020010414-8	Pressure Washer 3/4" Media Industry	4				92	6020130108-7	Grease Fitting 1/8"	2			
64	6020310770-9	Hexagonal Nut 3/4" 10F Unc Gr5 Ch.1.7/32" Height 18,50mm	4				93	5348050006-3	Complete Limiter Of Ø42 X 25mm	2			
65	5196010167-0	Platform Handrail SPD-3000		2			94	5348050009-8	Complete Limiter Of Ø42 X 49,5mm	6			
65	5196010168-9	Platform Handrail SPD-4000			2		95	5432010025-1	Pin Ø1.1/4" X 215mm	1			
65	5196010169-7	Platform Handrail SPD-5000				2	96	5484030005-9	Complete Regulator	1			
66	5530014805-0	Right Central Support Of Platform	1				97	5530060020-3	Hoses Support	1			
67	5530014799-1	Right Support of Platform	1				98	6020310760-1	Hexagonal Nut 5/8" 11F Unc Gr5 Ch.1.1/16" Height 15,00mm	1			
68	5530014800-9	Left Support of Platform	1				99	6020390301-7	Lock Ø5,75 X 50mm	1			
69	5530014802-5	Right Central Support of Platform	1				100	5432120117-5	French Head Pin Ø30,53 X 165mm	1			
70	5530014801-7	Left Central Support of Platform	1				101	6020130108-7	Grease Fitting 1/8"	1			
71	5136012018-3	Platform Right Plate SPD-3000		1			102	5484040005-3	Left Thread Regulator	1			
71	5136012020-5	Platform Right Plate SPD-4000			1		103	5484040003-7	Regulator R.1.1/4"Unc X 197mm With Bushing	1			
71	5136012022-1	Platform Right Plate SPD-5000				1	104	5432120029-2	French Head Pin Ø30,53 X 113mm	1			
72	6020310754-7	Hexagonal Nut 1/2" 12F W Gr5 Ch.7/8" Height 12,00mm	20				105	5484010014-9	Draw Bar Regulator	2			
73	6020311090-4	French Head Bolt 3/8" X 1.1/4" 16F Unc1A Gr2 Rp	4				106	6020390301-7	Lock Ø5,75 X 50mm	2			
74	6020312001-2	Hexagonal Head Bolt 1/2" X 1.1/2" 12F W Gr5 Rt	6										
75	6020010410-5	Pressure Washer 1/2" Media Industry	20										
76	6020010406-7	Pressure Washer 3/8" Media Industry	16										
77	5024010075-1	Smooth Washer Ø10,3 X Ø25 X 2,00mm	12										
78	5136012019-1	Left Plate Of Platform SPD-3000		1									
78	5136012021-3	Left Plate Of Platform SPD-4000			1								
78	5136012023-0	Left Plate Of Platform SPD-5000				1							
79	5136011940-1	Fixation Plate	1										
80	5080020100-1	Bushing Of Ø14 X Ø17,94 X 24mm	2										
81	5068010089-3	Clamp Of 1/2" X 132,5 X 166mm	6										
82	5259010002-1	Stair 2 Steps	1										
83	5530014803-3	Left Central Support Of Platform	1										
84	5024010068-9	Smooth Washer Ø13,3 X Ø35,5 X 3,00mm	2										
85	6020310746-6	Hexagonal Nut 3/8" 16F Unc Gr5 Ch.9/16" Height 8,50mm	16										
86	6020311160-9	French Head Bolt 3/8" X 1" 16F Unc1A Gr2 Rt	12										
87	6020312300-3	Hexagonal Head Bolt 1/2" X 2.1/2" 12F W Gr5 Rp	2										
88	5024010068-9	Smooth Washer Ø13,3 X Ø35,5 X 3,00mm	2										
89	6020030175-0	Right Chock Absorber	2										
90	6020311045-9	Hexagonal Head Bolt 1/2" X 1" 12F W Gr5 Rt	4										

• Transmission System



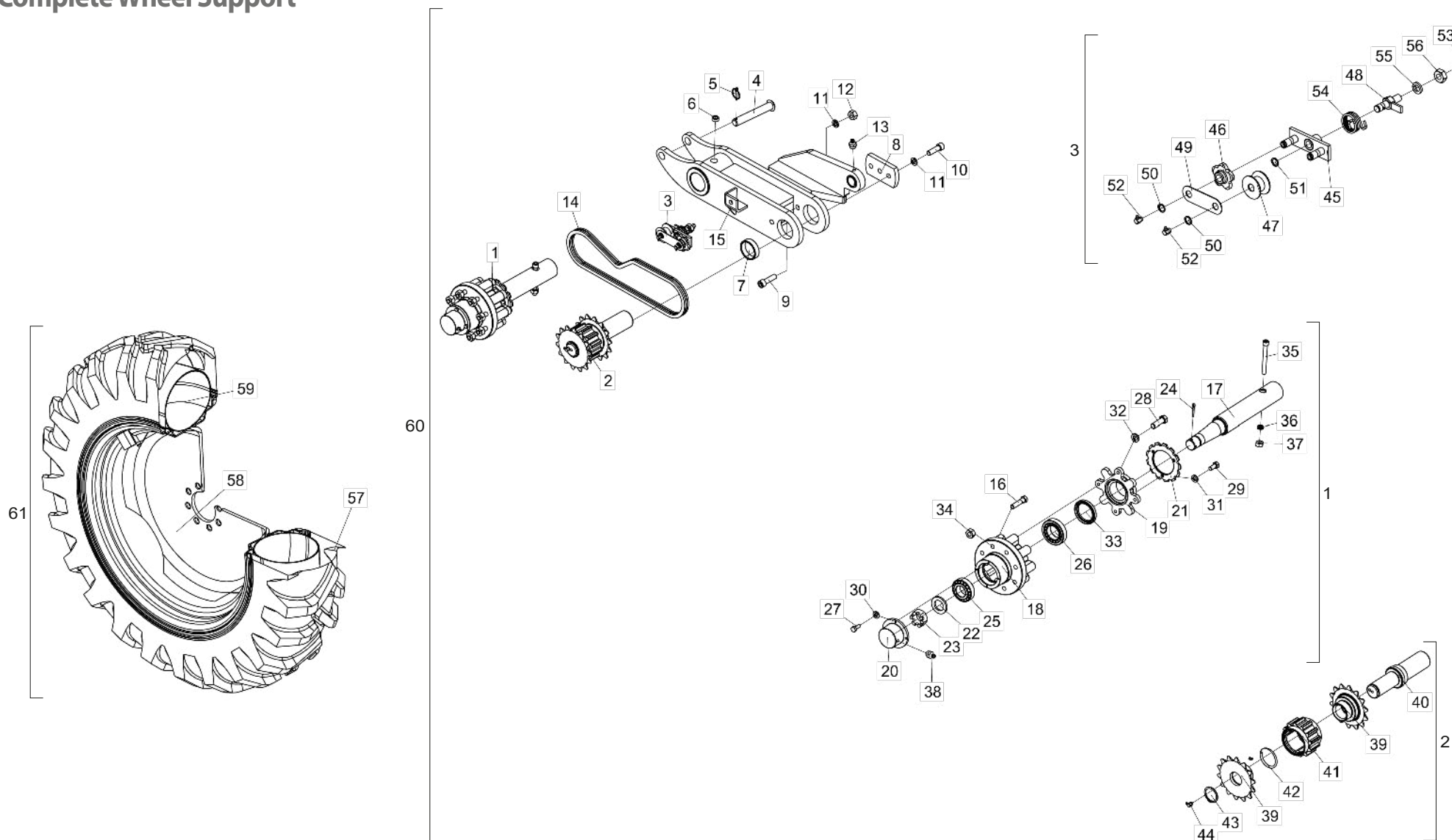
* Items 7 and 41 - See page 42

* Items 62, 63 and 64 - See page 12

• Table Transmission System

Item	Code	Product description	All	SPD 3000	SPD 4000	SPD 5000	Item	Code	Product description	All	SPD 3000	SPD 4000	SPD 5000
1	5204010306-6	Complete Shaft Hub		6	6	8	38	5232060267-0	Shaft Sq.1.1/2" X 2030mm			1	
2	6020310746-6	Hexagonal Nut 3/8" 16F Unc Gr5 Ch.9/16" Height 8,50mm		18	18	24	38	5232060259-9	Shaft Sq.1.1/2" X 2380mm				1
3	6020310756-3	Hexagonal Nut 1/2" 12F W Gr5 Ch.3/4" Height 11,00mm	4				39	5072060005-3	Left Arm Of Disarm Of Ratchet	1			
4	6020311174-9	French Head Bolt 1/2" X 1.1/4" 12F W Gr2 Rt	4				40	6020050059-0	Chain 2050 Of 65 Links + Amendment	2			
5	5268010127-2	Complete Right Chain Stretcher	1				*41	5092010052-7	Complete Speed Box(Sa-Right / SPD and Sd-Left)	1			
6	5268010157-4	Complete Left Chain Stretcher	1				42	6020050012-4	Chain 2050 Of 38 Links + Reduction	2			
*7	5092010051-9	Complete Speed Box(Sa-Left / SPD And Sd-Right)	1				43	6020130100-1	Grease Fitting 1/4"		6	6	8
8	6020311034-3	Hexagonal Head Bolt 3/8" X 1.3/4" 16F Unc1A Gr2 Rp		12	12	18	44	5080010013-2	Shaft Bushing		6	6	8
9	5080010840-0	Bushing Of Ø22,5 X Ø38 X 28mm	4				45	5204060004-3	Deph Shaft Hub		6	6	8
10	5024010162-6	Smooth Washer Ø13 X Ø26 X 2,00mm	4				46	6020011020-2	Retaining Ring E-65		6	6	8
11	6020050106-6	Cotterpin 3/16" X 1.1/2"	2				47	6020010252-8	Retaining Oring	6			
12	6020050101-5	Cotterpin 1/8" X 1"	4				48	6020130112-5	Grease Fitting 1/8"	4			
13	6020010410-5	Pressure Washer 1/2" Media Industry	12				49	5136020043-8	Stretcher Front Plate	2			
14	6020311047-5	Hexagonal Head Bolt 1/2" X 1" 12F W Gr5 Rt	8				50	6020090502-7	Sprocket 5012-1	4			
15	6020310472-6	Heavy Elastic Pin Ø6 X 55mm	2				51	5268010105-1	Spare Chain Stretcher	2			
16	6020250334-1	Torsion Helical Spring Ø51 X Ø55 X 40mm Left	1				52	6020250394-5	Torsion Helical Spring Ø38 X Ø44,4 X 39mm	1			
17	6020250336-8	Torsion Helical Spring Ø51 X Ø55 X 40mm Right	1				52	6020250395-3	Torsion Helical Spring Ø38 X Ø44,4 X 39mm	1			
18	6020010406-7	Pressure Washer 3/8" Media Industry		18	18	24	53	5232010172-7	Stretcher Shaft With Lock	2			
19	5008010033-4	Right Handle Of Ratchet	1				54	6020010412-1	Pressure Washer 5/8" Media Industry	2			
20	5008010032-6	Left Handle Of Ratchet	1				55	6020310762-8	Hexagonal Nut 5/8" 18F Unf Gr5 Ch.15/16" Height 15,00mm	2			
21	5136020626-6	Plaste Of Disarm Arm	2				56	6020130104-4	Grease Fitting 1/4"	2			
22	5072060004-5	Disarm Right Arm Of Ratchet	1				57	5024010059-0	Smooth Washer Ø16,5 X Ø29 X 1,21mm	1			
23	6020050116-3	Cotterpin 1/4" X 2"	4				58	6020010252-8	Retaining Oring	1			
24	6020311029-7	Hexagonal Head Bolt 3/8" X 1.1/2" 16F Unc1A Gr5 Rt	6				59	5530020186-4	Support W/Gear Shaft	1			
25	6020310114-0	Allen Bolt S/C 1/2" X 1.1/4" 12F W Cl12.9 Rt (Phosphated)	2				60	6020130112-5	Grease Fitting 1/8"	1			
26	6020130100-1	Grease Fitting 1/4"	2				61	6020090502-7	Sprocket 5012-1	1			
27	5268010109-4	Complete Chain Stretcher	2				*62	5464010279-1	Right Lateral Protection Complete Hopper Plastic (SPD)	1			
28	5256030081-6	Complete Gear 21 Teeth	2				*62	5464010280-5	Left Lateral Protection Complete Hopper Plastic (SPD)	1			
29	5140010031-8	Cotter Sq.1/4" X 22mm	4				*63	5106010076-8	Complete Right Protector Cover	1			
30	6020350006-0	Bearing 6006 2Rs Ddu	2				*63	5106010077-6	Complete Left Protector Cover	1			
31	5558010008-1	Lock Of Gear	2				*64	5106010119-5	Complete Right Protector Cover	1			
32	5284040040-9	Flange Ø30 X Ø64,8 X 30,5mm	2				*64	5106010120-9	Complete Left Protector Cover	1			
33	5256030018-2	Sprocket 17 Teeth	2										
34	5432010040-5	Fuse Pin Ø6 X 60mm	2										
35	6020010326-5	Retaining Oring	4										
36	6020390308-4	Lock Nma - Type "R" Ø4,5 X 80mm	2										
37	5232060291-2	Shaft Sq.1.1/2" X 1530mm		1									
37	5232060268-8	Shaft Sq.1.1/2" X 1940mm			1								
37	5232060260-2	Shaft Sq.1.1/2" X 2280mm				1							
38	5232060290-4	Shaft Sq.1.1/2" X 1643mm		1									

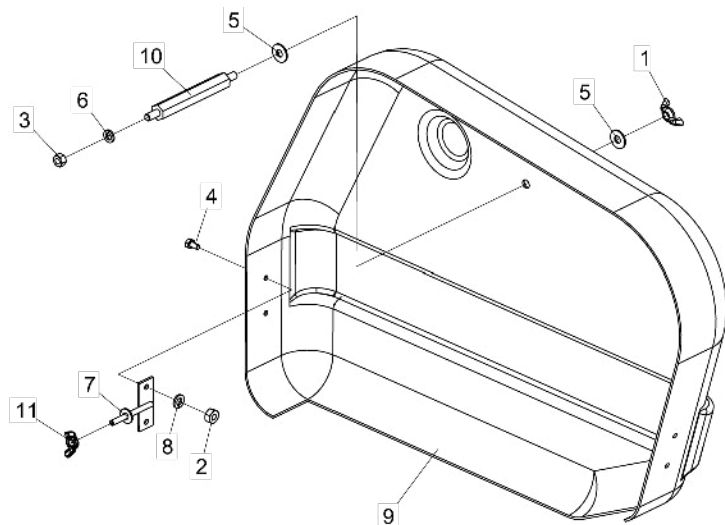
• Complete Wheel Support



• Table Complete Wheel Support

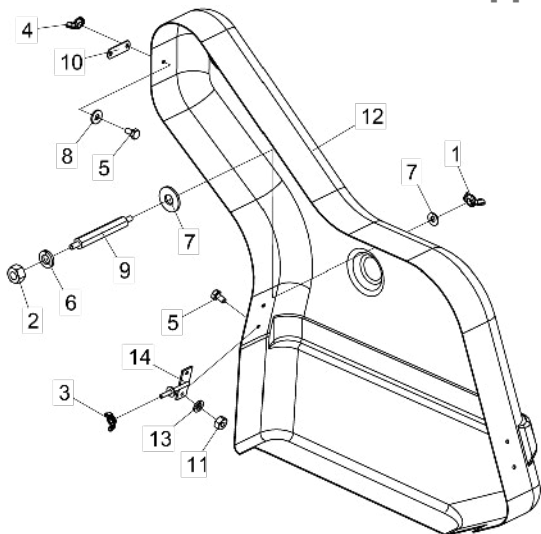
Item	Code	Product description	All	Right	Left	Item	Code	Product description	All	Right	Left
1	5232010052-6	Complete Wheel Shaft	1			33	6020350243-8	Retainer Ø65,00 X Ø85,00 X 10,00mm	1		
2	5132010006-6	Complete Right Ratchet		1		34	6020310806-3	Double Conic Hexagonal Nut Of Wheel 9/16" 18F Unf Gr5 Ch.1.1/16" Height 20,00mm	8		
2	5132010005-8	Complete Left Ratchet			1	35	6020310116-6	Allen Bolt C/C 1/2" X 4.1/2" 12F W Cl12.9 Rp (Phosphated)	1		
3	5268010191-4	Complete Left Chain Stretcher With Bushing De 30mm		1		36	6020010410-5	Pressure Washer 1/2" Media Industry	1		
3	5268010192-2	Complete Right Chain Stretcher With Bushing 30mm			1	37	6020310754-7	Hexagonal Nut 1/2" 12F W Gr5 Ch.7/8" Height 12,00mm	1		
4	5432120086-1	French Head Pin Ø1" X 158mm	1			38	6020130108-7	Grease Fitting 1/8"	1		
5	6020390293-2	Lock Ø5,75 X 40mm	1			39	5132020006-0	Hitch Ratchet For Seed Fertilizer	2		
6	5080020168-0	Bushing Of Ø13,49 X Ø7/8" X 10mm	1			40	5232010035-6	Ratchet Shaft	1		
7	5080010200-3	Shaft Bushing Of The Articulation	1			41	5534010006-8	Relief Drum	1		
8	5136010512-5	Plate Of Lock Shaft	1			42	5400010043-1	Left Helical Spring Of Ø63 X 55mm		1	
9	6020310157-3	Allen Bolt C/C 5/8" X 2.1/4" 11F Unc1A Cl12.9 Rt (Phosphated)	1			42	5400010044-0	Right Helical Spring Of Ø63 X 55mm			1
10	6020310155-7	Allen Bolt C/C 5/8" X 2" 11F Unc1A Cl12.9 Rt (Phosphated)	2			43	6020010294-3	Retaining Ring E-50	1		
11	6020010412-1	Pressure Washer 5/8" Media Industry	3			44	6020130112-5	Grease Fitting 1/8"	1		
12	6020310760-1	Hexagonal Nut 5/8" 11F Unc Gr5 Ch.1.1/16" Height 15,00mm	1			45	5268010190-6	Chain Stretcher With Bushing 30mm	1		
13	6020130108-7	Grease Fitting 1/8"	1			46	5256040001-2	Stretcher Gear	1		
14	6020050012-4	Chain 2050 Of 38 Links + Reduction	1			47	6020350849-5	Stretcher Pulley	1		
15	5530490032-5	Articulation Left Support Of Wheel		1		48	5232010401-7	Left Shaft With Lock For Bushing 30mm.	1		
15	5530490033-3	Articulation Left Support Of Wheel			1	49	5136020043-8	Stretcher Front Plate	1		
16	6020310999-0	Hexagonal Head Bolt 9/16" X 2.1/2" 18F Unf1A Gr5 Rp	8			50	6020010252-8	Retaining Oring	2		
17	5232010051-8	Wheel Shaft	1			51	6020010251-0	Retaining Oring	1		
18	5204010111-0	Wheel Hub	1			52	6020130112-5	Grease Fitting 1/8"	2		
19	5284030005-6	Flange Of Wheel Hub	1			53	6020130106-0	Grease Fitting 1/4"	1		
20	5538010019-2	Cover Of Wheel Hub	1			54	6020250379-1	Left Torsion Helical Spring		1	
21	5256030070-0	Gear 13 Teeth With Central Hole Ø86,3mm	1			54	6020250380-5	Right Torsion Helical Spring			1
22	5024010286-0	Smooth Washer Ø38,4 X Ø61 X 6,00mm	1			55	6020010412-1	Pressure Washer 5/8" Media Industry	1		
23	5456020009-1	Nut 1.1/2" 12F	1			56	6020310738-5	Hexagonal Nut 5/8" 11F Unc Gr5 Ch.1.1/16" Height 11,00mm	1		
24	6020050116-3	Cotterpin 1/4" X 2"	1			57	6020310410-6	Tyre 12.4.28X06 Linings	1		
25	6020350068-0	Bearing 32208	1			58	6020350423-6	Wheel W 9" X 28" For Tyre 12.4.28	1		
26	6020350056-7	Bearing 32210	1			59	6020050360-3	Inner Tube 12.4 - 28 Tr	1		
27	6020310016-0	Hexagonal Head Bolt 1/4" X 3/4" 20F Unc1A Gr5 Rt	4			60	5530011508-9	Articulation Left Support			
28	6020310026-7	Hexagonal Head Bolt 3/8" X 1.1/4" 16F Unc1A Gr5 Rt	4			60	5530011509-7	Articulation Left Support			
29	6020312020-9	Hexagonal Head Bolt 5/16" X 3/4" 18F Unc1A Gr5 Rt	3			61	5498010100-5	Monunted Right Wheel			
30	6020010402-4	Pressure Washer 1/4" Media Industry	4			61	5498010101-3	Mounted Left Wheel			
31	6020010404-0	Pressure Washer 5/16" Media Industry	3								
32	6020010406-7	Pressure Washer 3/8" Media Industry	4								

• Lateral Protection



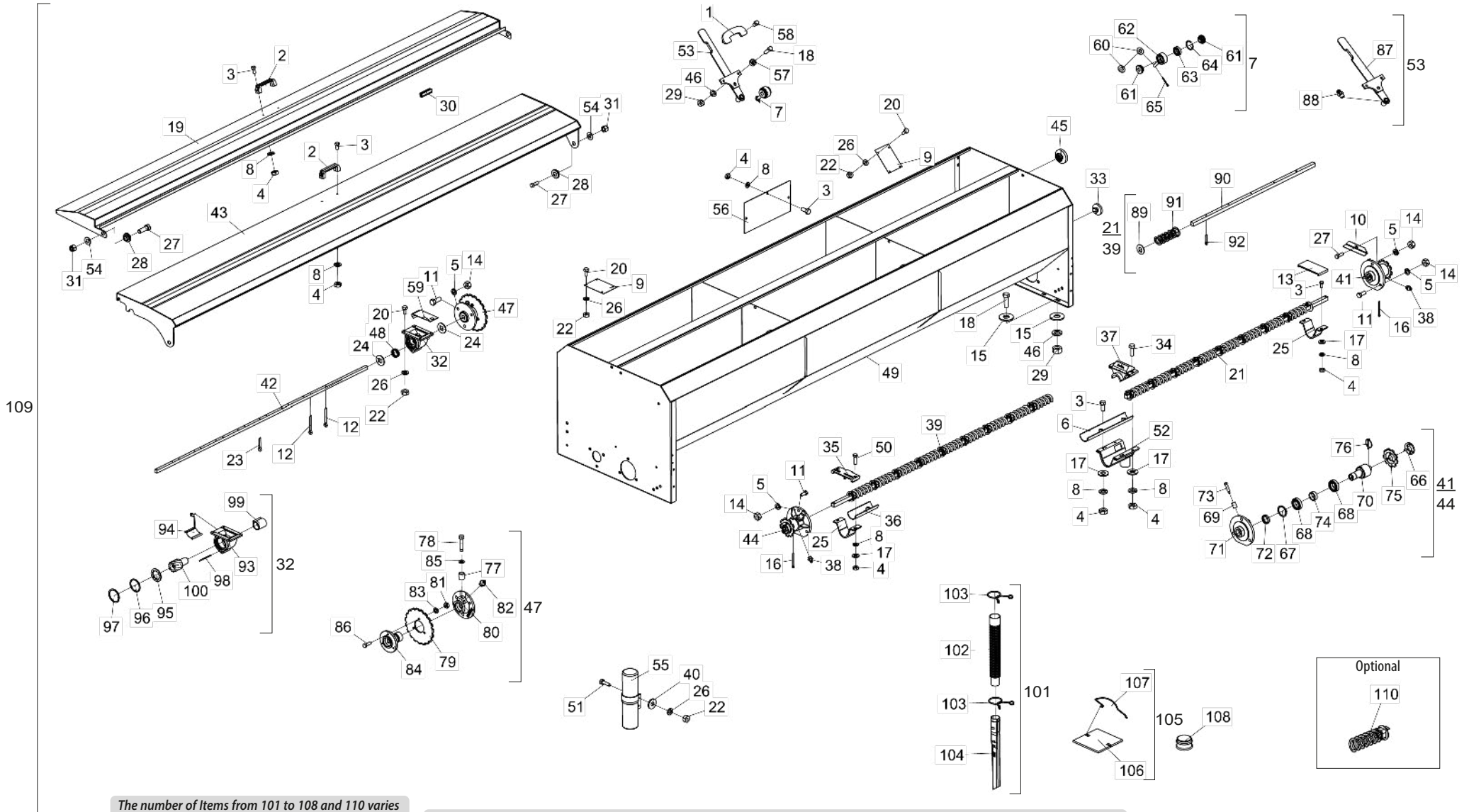
Item	Code	Product description	All				
				Right (Plastic Box)	Left (Plastic Box)	Right (Metalic Box)	Left (Metalic Box)
1	6020030104-0	Nut Ø3/8" 16F Unc	1				
2	6020310742-3	Hexagonal Nut 1/4" 20F Unc Gr5 Ch.7/16" Height 5,50mm	4				
3	6020310746-6	Hexagonal Nut 3/8" 16F Unc Gr5 Ch.9/16" Height 8,50mm	1				
4	6020311000-9	Hexagonal Head Bolt 1/4" X 1/2" 20F Unc1A Gr5 Rt	4				
5	5024010075-1	Smooth Washer Ø10,3 X Ø25 X 2,00mm	2				
6	6020010406-7	Pressure Washer 3/8" Media Industry	1				
7	5530130037-8	Fixation Support Of Protector Cap	2				
8	6020010402-4	Pressure Washer 1/4" Media Industry	4				
9	6020310310-0	Lateral Right Protection Of Plastic Hopper (SPD)		1			
9	6020310311-8	Lateral Left Protection For Plastic Hopper (SPD)			1		
9	6020051002-2	Right Protection Cap				1	
9	6020051001-4	Left Protection Cap					1
10	5232010452-1	Shaft Of Chain Cap Fixation	1				
11	6020030102-4	Nut Ø5/16" 18F Unc	2				

• Lateral Protection For SPD W/Pasture Seed Hopper



Item	Code	Product description	All		
				Right	Left
1	6020030104-0	Nut Ø3/8" 16F Unc	1		
2	6020310746-6	Hexagonal Nut 3/8" 16F Unc Gr5 Ch.9/16" Height 8,50mm	1		
3	6020030102-4	Nut Ø5/16" 18F Unc	2		
4	6020030100-8	Nut Ø1/4" 20F Unc	2		
5	6020311000-9	Hexagonal Head Bolt 1/4" X 1/2" 20F Unc1A Gr5 Rt	6		
6	6020010406-7	Pressure Washer 3/8" Media Industry	1		
7	5024010075-1	Smooth Washer Ø10,3 X Ø25 X 2,00mm	2		
8	5024010161-8	Smooth Washer Ø7 X Ø18 X 2,00mm	2		
9	5232010452-1	Shaft Of Chain Cap Fixation	1		
10	5136011197-4	Fixation Plate Of Cover Of Chain	1		
11	6020310742-3	Hexagonal Nut 1/4" 20F Unc Gr5 Ch.7/16" Height 5,50mm	4		
12	6020050638-6	Right Protection Cap For Pasture Seed		1	
12	6020050637-8	Left Protection Cap For Pasture Seed			1
13	6020010402-4	Pressure Washer 1/4" Media Industry	4		
14	5530130037-8	Fixation Support Of Protector Cap	2		

• Hopper SPD 3000



The number of Items from 101 to 108 and 110 varies depending on the machine configuration.

Hopper (109) is made up of all the parts listed in this list, but when sold complete, Items 101 to 108 and 110 will not accompany it.

• Table Hopper SPD 3000

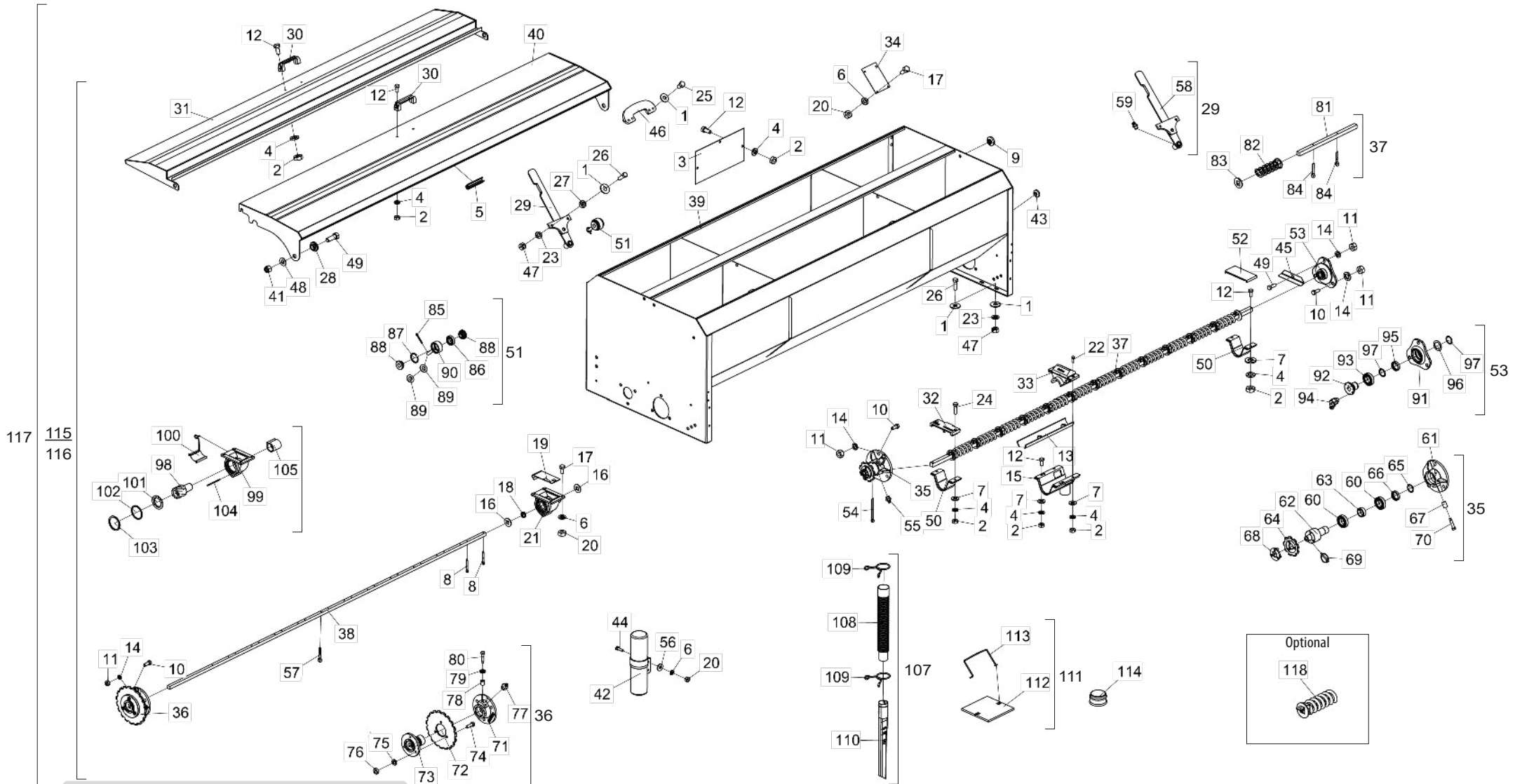
Item	Code	Product description	All	Item	Code	Product description	All
1	5226010001-7	Regulating Seed Divider	2	37	5538010161-0	Fertilizer Dosing Cover	17
2	6020010922-0	Nylon Belt Pmc 594 - 132 X 32 mm	2	38	6020130108-7	Grease Fitting 1/8"	2
3	6020310882-9	Hexagonal Head Bolt Inox 5/16" X 3/4" 18F Unc2A Rt	58	39	5232010298-7	Complete Large Shaft Of Fertilizer 3000 Pace 1".	1
4	6020310767-9	Brass Hexagonal Nut 5/16" 18F Unc Ch.1/2" H.6,50mm	94	40	5024010161-8	Smooth Washer Ø7 X Ø18 X 2,00mm	2
5	6020010435-0	Pressure Washer Inox 1/2" Media	12	41	5204010315-5	Complete Right Hub With Gear De 9 Teeth For Shaft 3/4"	1
6	5106010017-2	Fertilizer Funnel Cover Of 340mm	8	42	5232010270-7	Shaft Sq.5/8" X 1590mm	2
7	5304010008-0	Adjustment Handle Fork	2	43	5538010164-4	Cover Of Fertilizer Deposit(3000)	1
8	6020010434-2	Pressure Washer Inox 5/16" Media	94	44	5204010316-3	Complete Left Hub With Gear Of 9 Teeth For Shaft 3/4"	1
9	5538150028-3	Cover Of Seed Deposit	11	45	6020390341-6	Large Buffer	2
10	5136180363-2	Plate "L" De Apoio Da Caixa	1	46	6020010406-7	Pressure Washer 3/8" Media Industry	12
11	6020310885-3	Hexagonal Head Bolt Inox 1/2" X 1.1/4" 12F W Rt	11	47	5204010340-6	Complete Seed Hub SPD/Sd/Sa-3000	2
12	6020050101-5	Cotterpin 1/8" X 1"	29	48	6020250252-3	Helical Spring Ø23 X Ø28 X 24mm	16
13	6020390441-2	Small Cover Of Cunette	1	49	5208010737-4	Hopper De Semente and Adubo SPD-3000	1
14	6020310754-7	Hexagonal Nut 1/2" 12F W Gr5 Ch.7/8" Height 12,00mm	12	50	6020310884-5	Hexagonal Head Bolt Inox 5/16" X 1.1/4" 18F Unc2A Rt	2
15	5024010075-1	Smooth Washer Ø10,3 X Ø25 X 2,00mm	16	51	6020311004-1	Hexagonal Head Bolt 1/4" X 7/8" 20F Unc1A Gr5 Rt	2
16	6020050120-1	Cotterpin 1/4" X 3"	2	52	6020030137-7	Fertilizer Distributor Funnel	17
17	6020010431-8	Plain Inox Washer Ø8,5 X Ø18 X 1,8mm	72	53	5008010220-5	Adjustment Handle	2
18	6020310026-7	Hexagonal Head Bolt 3/8" X 1.1/4" 16F Unc1A Gr5 Rt	12	54	6020010432-6	Plain Inox Washer Ø13,3 X Ø27 X 2,4mm	4
19	5538010167-9	Cover Of Seed Deposit(3000)	1	55	6020050642-4	Container For Instruction Manual	1
20	6020311001-7	Hexagonal Head Bolt 1/4" X 5/8" 20F Unc1A Gr5 Rt	108	56	5136010345-9	Fertilizer and Seed Hopper Plate	6
21	5232010299-5	Complete Small Shaft Of Fertilizer 3000 (Pace 1")	1	57	5080010358-1	Bushing Of Ø10,3 X Ø7/8" X 10mm	4
22	6020310766-0	Brass Hexagonal Nut 1/4" 20F Unc Ch.7/16" H.5,50mm	110	58	6020311030-0	Hexagonal Head Bolt 3/8" X 5/8" 16F Unc1A Gr2 Rt	4
23	6020050104-0	Cotterpin 3/16" X 1"	4	59	5538130001-2	Cover Of Seed Distributor	16
24	5024010083-2	Smooth Washer Sq.17 X Ø43 X 3,00mm	32	60	5024010162-6	Smooth Washer Ø13 X Ø26 X 2,00mm	2
25	6020050619-0	Nozzle Wedge	2	61	5080010876-1	Bushing	2
26	6020010402-4	Pressure Washer 1/4" Media Industry	110	62	5368010615-7	Bearing Of Adjustment Handle	1
27	6020310886-1	Hexagonal Head Bolt Inox 1/2" X 1.1/2" 12F W Rt	5	63	6020350075-3	Bearing 6005 2Rs	1
28	5080020484-1	Bushing Of Ø13,1 X Ø31,5 X 12,5mm	4	64	6020011053-9	Retaining Ring I-047	1
29	6020310746-6	Hexagonal Nut 3/8" 16F Unc Gr5 Ch.9/16" Height 8,50mm	12	65	6020050101-5	Cotterpin 1/8" X 1"	1
30	5048010025-2	Plastic Chock Absorver W/Metalic Reinforcement	7	66	5558100005-6	Lock	2
31	6020310809-8	Self-Locking Nut With Nylon 1/2" 12F W Gr5 Ch.3/4" H.15,50mm	4	67	6020010266-8	Retaining Oring	2
32	5092100010-0	Complete Seed Distribuotr Box Inclined Rotor	16	68	6020350013-3	Bearing 6007-2Rs	4
33	6020390340-8	Small Buffer	2	69	5080020112-5	Bushing Of Ø14 X Ø19 X 28mm	2
34	6020310883-7	Hexagonal Head Bolt Inox 5/16" X 1" 18F Unc2A Rt	34	70	5204010317-1	Gear Fixation Hub (Shaft 3/4")	2
35	6010601385-6	Small Batcher Cover Of Fertilizer	1	71	5204010135-7	Right Fertilizer Shaft Hub	1
36	5106010033-4	Fertilizer Funnel Cover Of 170mm	1	71	5204010201-9	Left Hub Of Fertilizer Shaft	1

• Table Hopper SPD 3000

Item	Code	Product description	All
72	6020350255-1	Retainer Ø35,00 X Ø47,00 X 10,00mm	2
73	6020311040-8	Hexagonal Head Bolt 7/16" X 2" 14F Unc1A Gr5 Rp	2
74	5080020057-9	Bushing Of Ø35 X Ø45 X 17mm	2
75	5256030029-8	Gear 9 Teeth	2
76	6020390301-7	Lock Ø5,75 X 50mm	2
77	5080020118-4	Bushing Of Ø14 X Ø19 X 20,5mm	2
78	6020311040-8	Hexagonal Head Bolt 7/16" X 2" 14F Unc1A Gr5 Rp	2
79	5256030005-0	Gear 19 Teeth With Central Hole Ø65mm	2
80	5204070004-8	Large Hub Of Seed Shaft	2
81	6020310767-9	Brass Hexagonal Nut 5/16" 18F Unc Ch.1/2" H.6,50mm	6
82	6020130108-7	Grease Fitting 1/8"	2
83	6020010434-2	Pressure Washer Inox 5/16" Media	6
84	5204010339-2	Seed Shaft Hub Square Hole 16,8mm SPD/Sd/Sa-3000	2
85	6020010408-3	Pressure Washer 7/16" Media Industry	2
86	6020310883-7	Hexagonal Head Bolt Inox 5/16" X 1" 18F Unc2A Rt	6
87	5008010029-6	Adjustment Handle	2
88	6020130100-1	Grease Fitting 1/4"	2
89	5024070008-2	Special Washer 20 X 052 X 2,5mm Spiral Spring	1
90	5232060320-0	Shaft Sq.3/4" X 1515mm	1
90	5232060321-8	Shaft Sq.3/4" X 1630mm	1
91	5400010047-4	Right Spiral Spring Q21 X 145 X 7,93mm (Pace25,4mm) With Washer	17
92	6020050107-4	Cotterpin 3/16" X 1" (Inox)	18
93	5092010319-4	Spare Seed Distributor Box	16
94	5480030001-3	Seed Register	16
95	5024010344-0	Special Washer Ø56 X Ø71 X 6,30mm Helicoidal Rotor Guide	16
96	6020010298-6	Anel Ø62,6 X Ø71,5 X 2,7mm	16
97	6020010290-0	Retaining Ring I-72	16
98	5432090053-3	Flat Pin Ø3 X 58mm	16
99	5080120001-7	Bushing Rotor W/Hole	16
100	5518010003-1	Helicoidal Rotor	16
101	5150010129-0	Complete Fertilizer Conductor(SPD)	17
102	6020030672-7	Distributor Funnel 425mm	17
103	6020250111-0	Rubber Tube Ø38 X Ø50,8 X 400mm	17
104	6020250322-8	Lock Spring	17
105	5538010244-6	Complete Large Tube (Plastic Box)	1
106	6020010924-7	Cover Stics	1

Item	Code	Product description	All
107	6020010101-4	Seed Conductor Cover	1
108	6020390815-9	Fertilizer Funnel Cover	1
109	5208011345-5	Complete Fertilizer And Seed Hopper SPD-3001	1
Optional			
110	5400010034-2	Right Spiral Spring Q21X145X7,93mm (Pace19,05mm) With Washer	1

• Hopper SPD 4000/5000



The number of Items 107, 108, 109, 110, 111, 112, 113, 114 and 118 varies depending on the machine configuration.

Hopper (117) is made up of all the parts listed in this list, but when sold complete, Items 07, 108, 109, 110, 111, 112, 113, 114 and 118 will not accompany it.

• Table Hopper SPD 4000/5000

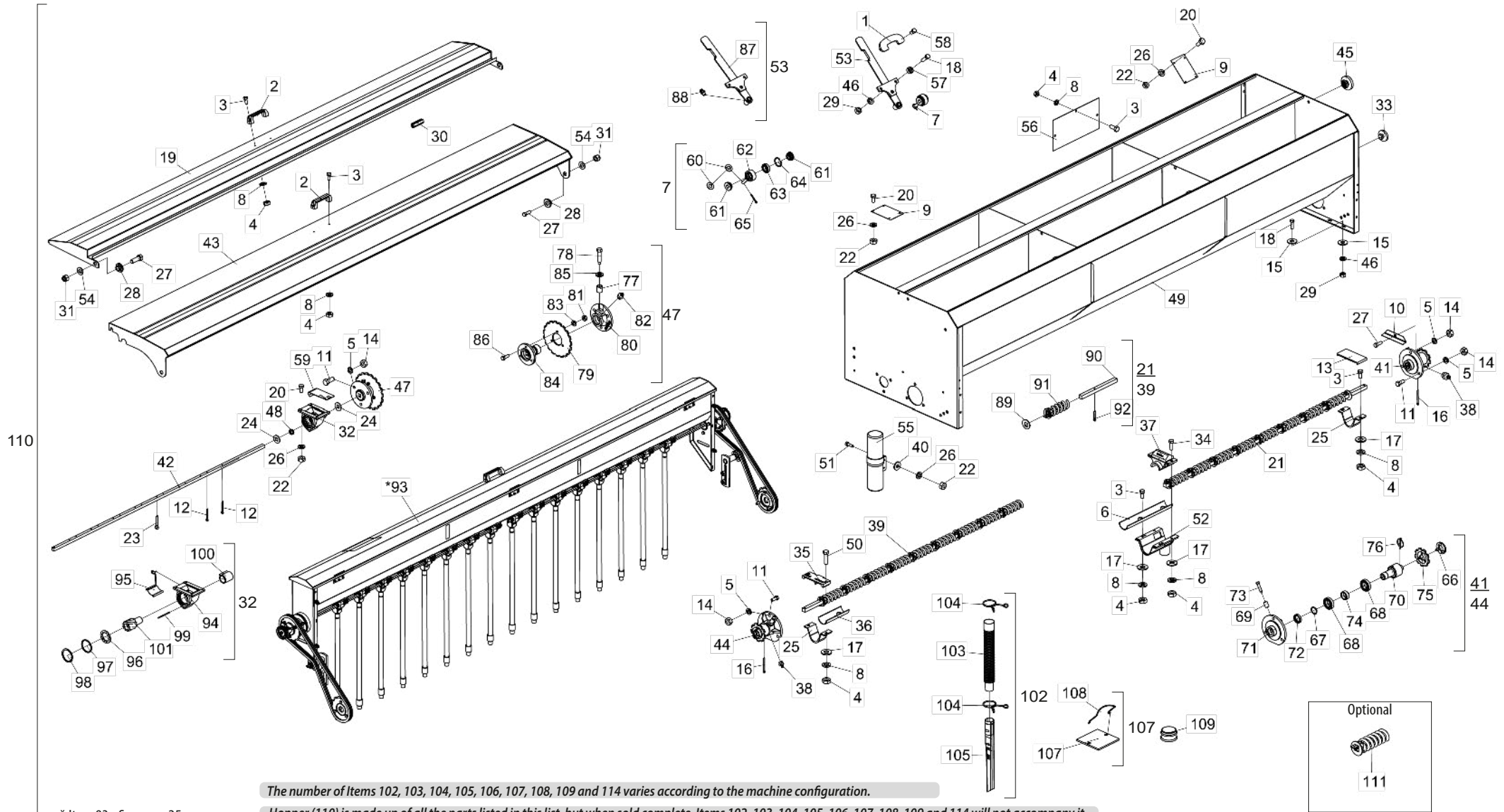
Item	Code	Product description				Item	Code	Product description			
			All	SPD 4000	SPD 5000				All	SPD 4000	SPD 5000
1	5024010075-1	Smooth Washer Ø10,3 X Ø25 X 2,00mm		32	40	37	5232010186-7	Complete Right Fertilizer Shaft 5000 Pace 1"			1
2	6020310767-9	Brass Hexagonal Nut 5/16" 18F Unc Ch.1/2" H.6,50mm		120	136	37	5232010185-9	Complete Left Shaft Of Fertilizer 5000 Pace 1"			1
3	5136010345-9	Fertilizer and Seed Hopper Plate	8			38	5232060266-1	Shaft Q5/8" X 1910mm		1	
4	6020010434-2	Pressure Washer Inox 5/16" Media		120	136	38	5232010330-4	Shaft Sq.5/8" X 1910mm Left		1	
5	5048010025-2	Plastic Chock Absorver W/Metalic Reinforcement	14			38	5232060265-3	Shaft Q5/8" X 2250mm			1
6	6020010402-4	Pressure Washer 1/4" Media Industry		166	194	38	5232010331-2	Shaft Sq.5/8" X 2250mm Left.			1
7	6020010431-8	Plain Inox Washer Ø8,5 X Ø18 X 1,8mm		88	104	39	5208010832-0	Seed And Fertilizer Hopper SPD-4000		2	
8	6020050101-5	Cotterpin 1/8" X 1"		36	44	39	5208011349-8	Fertilizer And Seed Hopper (SPD-5000)			2
9	6020390341-6	Large Buffer	4			40	5538010165-2	Cover Of Fertilizer Deposit(4000)		2	
10	6020310885-3	Hexagonal Head Bolt Inox 1/2" X 1.1/4" 12F W Rt	16			40	5538010166-0	Cover Of Fertilizer Deposit(5000)			2
11	6020310754-7	Hexagonal Nut 1/2" 12F W Gr5 Ch.7/8" Height 12,00mm	18			41	6020310809-8	Self-Locking Nut With Nylon 1/2" 12FW Gr5 Ch.3/4" H.15,50mm	8		
12	6020310882-9	Hexagonal Head Bolt Inox 5/16" X 3/4" 18F Unc2A Rt		76	84	42	6020050642-4	Container For Instruction Manual		1	1
13	5106010017-2	Fertilizer Funnel Cover Of 340mm		10	12	43	6020390340-8	Small Buffer	4		
14	6020010435-0	Pressure Washer Inox 1/2" Media	18			44	6020311004-1	Hexagonal Head Bolt 1/4" X 7/8" 20F Unc1A Gr5 Rt		2	2
15	6020030137-7	Fertilizer Distributor Funnel		20	24	45	5136180363-2	Plate "L" De Apoio Da Caixa	2		
16	5024010083-2	Smooth Washer Sq.17 X Ø43 X 3,00mm		32	48	46	5226010001-7	Regulating Seed Divider	2		
17	6020311001-7	Hexagonal Head Bolt 1/4" X 5/8" 20F Unc1A Gr5 Rt		164	192	47	6020310746-6	Hexagonal Nut 3/8" 16F Unc Gr5 Ch.9/16" Height 8,50mm		20	
18	6020250252-3	Helical Spring Ø23 X Ø28 X 24mm		20	24	48	6020010432-6	Plain Inox Washer Ø13,3 X Ø27 X 2,4mm		8	
19	5538130001-2	Cover Of Seed Distributor		20	24	49	6020310886-1	Hexagonal Head Bolt Inox 1/2" X 1.1/2" 12F W Rt		10	
20	6020310766-0	Brass Hexagonal Nut 1/4" 20F Unc Ch.7/16" H.5,50mm		166	194	50	6020050619-0	Nozzle Wedge	4		
21	5092100010-0	Complete Seed Distributor Box Inclined Rotor		20	24	51	5304010008-0	Adjustment Handle Fork	2		
22	6020310883-7	Hexagonal Head Bolt Inox 5/16" X 1" 18F Unc2A Rt		40	48	52	6020390441-2	Small Cover Of Cunette	2		
23	6020010406-7	Pressure Washer 3/8" Media Industry	20			53	5204010199-3	Complete Fertilizer Hooper Hub	2		
24	6020310884-5	Hexagonal Head Bolt Inox 5/16" X 1.1/4" 18F Unc2A Rt	4			54	6020050120-1	Cotterpin 1/4" X 3"	2		
25	6020311030-0	Hexagonal Head Bolt 3/8" X 5/8" 16F Unc1A Gr2 Rt	4			55	6020130108-7	Grease Fitting 1/8"	2		
26	6020310026-7	Hexagonal Head Bolt 3/8" X 1.1/4" 16F Unc1A Gr5 Rt	20			56	5024010161-8	Smooth Washer Ø7 X Ø18 X 2,00mm		2	2
27	5080010358-1	Bushing Of Ø10,3 X Ø7/8" X 10mm	4			57	6020050104-0	Cotterpin 3/16" X 1"	4		
28	5080020484-1	Bushing Of Ø13,1 X Ø31,5 X 12,5mm	8			58	5008010029-6	Adjustment Handle	2		
29	5008010220-5	Adjustment Handle	2			59	6020130100-1	Grease Fitting 1/4"	2		
30	6020010922-0	Nylon Belt Pmc 594 - 132 X 32 mm	4			60	6020350013-3	Bearing 6007-2Rs	4		
31	5538010168-7	Cover Of Seed Deposit(4000)		2		61	5204010135-7	Right Fertilizer Shaft Hub	1		
31	5538010169-5	Cover Of Seed Deposit(5000)			2	61	5204010201-9	Left Hub Of Fertilizer Shaft	1		
32	6010601385-6	Small Batcher Cover Of Fertilizer	2			62	5204010364-3	Gear Fixation Hub (Shaft 3/4")	2		
33	5538010161-0	Fertilizer Dosing Cover		20	24	63	5080020057-9	Bushing Of Ø35 X Ø45 X 17mm	2		
34	5538150028-3	Cover Of Seed Deposit		21	24	64	5256030029-8	Gear 9 Teeth	2		
35	5204010235-3	Complete Left Hub With Gear Of 9 Teeth For Shaft 3/4"	1			65	6020010266-8	Retaining Oring	2		
35	5204010236-1	Complete Right Hub With Gear De 9 Teeth For Shaft 3/4"	1			66	6020350255-1	Retainer Ø35,00 X Ø47,00 X 10,00mm	2		
36	5204070039-0	Complete Seed Hub	2			67	5080020112-5	Bushing Of Ø14 X Ø19 X 28mmmm	2		
37	5232010188-3	Complete Right Fertilizer Shaft 4000 Pace 1"		1		68	5558100005-6	Lock	2		
37	5232010187-5	Complete Left Shaft Of Fertilizer 4000 Pace 1"		1		69	6020390301-7	Lock Ø5,75 X 50mm	2		

• Table Hopper SPD 4000/5000

Item	Code	Product description	All	SPD 4000	SPD 5000
70	6020311040-8	Hexagonal Head Bolt 7/16" X 2" 14F Unc1A Gr5 Rp	2		
71	5204070004-8	Large Hub Of Seed Shaft	2		
72	5256030005-0	Gear 19 Teeth With Central Hole Ø65mm	2		
73	5204070003-0	Seed Shaft Hub Square Hole 16,8mm	2		
74	6020310883-7	Hexagonal Head Bolt Inox 5/16" X 1" 18F Unc2A Rt	6		
75	6020010434-2	Pressure Washer Inox 5/16" Media	6		
76	6020310767-9	Brass Hexagonal Nut 5/16" 18F Unc Ch.1/2" H.6,50mm	6		
77	6020130108-7	Grease Fitting 1/8"	2		
78	5080020118-4	Bushing Of Ø14 X Ø19 X 20,5mm	2		
79	6020010408-3	Pressure Washer 7/16" Media Industry	2		
80	6020311040-8	Hexagonal Head Bolt 7/16" X 2" 14F Unc1A Gr5 Rp	2		
81	5232010192-1	Rigth/Left Fertilizer Shaft 1935mm		2	
81	5232010191-3	Rigth/Left Fertilizer Shaft 2275mm			2
82	5400010047-4	Right Spiral Spring Q21 X 145 X 7,93mm (Pace25,4mm) With Washer		10	12
82	5400010048-2	Left Spiral Spring Q 21X145X7,93mm (Pace 25,4mm) With Washer		10	12
83	5024070008-2	Special Washer 20 X 052 X 2,5mm Spiral Spring	2		
84	6020050107-4	Cotterpin 3/16" X 1" (Inox)		22	26
85	6020050101-5	Cotterpin 1/8" X 1"	2		
86	6020350075-3	Bearing 6005 2Rs	2		
87	6020011053-9	Retaining Ring I-047	2		
88	5080010876-1	Bushing	4		
89	5024010162-6	Smooth Washer Ø13 X Ø26 X 2,00mm	4		
90	5368010615-7	Bearing Of Adjustment Handle	2		
91	6020050487-1	Fertilizer Shaft Hub	2		
92	5204070016-1	Shaft Hub	2		
93	6020350013-3	Bearing 6007-2Rs	2		
94	6020130104-4	Grease Fitting 1/4"	2		
95	6020350255-1	Retainer Ø35,00 X Ø47,00 X 10,00mm	2		
96	5024010374-2	Smooth Washer Ø36 X Ø52 X 1,50mm(Inox)	2		
97	6020010266-8	Retaining Oring	4		
98	5518010003-1	Helicoidal Rotor		20	24
99	5092010319-4	Spare Seed Distributor Box		20	24
100	5480030001-3	Seed Register		20	24
101	5024010344-0	Special Washer Ø56 X Ø71 X 6,30mm Helicoidal Rotor Guide		20	24
102	6020010298-6	Anel Ø62,6 X Ø71,5 X 2,7mm		20	24
103	6020010290-0	Retaining Ring I-72		20	24
104	5432090053-3	Flat Pin Ø3 X 58mm		20	24
105	5080120001-7	Bushing Rotor W/Hole		20	24
107	5150010129-0	Complete Fertilizer Conductor(SPД)	1		
108	6020030672-7	Distributor Funnel 425mm	1		

Item	Code	Product description	All	SPD 4000	SPD 5000
109	6020250111-0	Rubber Tube Ø38 X Ø50,8 X 400mm	1		
110	6020250322-8	Lock Spring	1		
111	5538010244-6	Complete Large Tube (Plastic Box)	1		
112	6020010924-7	Cover Stics	1		
113	6020010101-4	Seed Conductor Cover	1		
114	6020390815-9	Fertilizer Funnel Cover	1		
115	5208011347-1	Complete Right Fertilizer And Seed Hopper SPD-4000		1	
115	5208010614-9	Complete Right Fertilizer And Seed Hopper SPD-5000			1
116	5208011346-3	Complete Left Fertilizer And Seed Hopper SPD-4000		1	
116	5208010616-5	Complete Left Fertilizer And Seed Hopper SPD-5000			1
117	5208011348-0	Complete Fertilizer And Seed Hopper (SPD-4000)		1	
117	5208011352-8	Complete Fertilizer And Seed Hopper (SPD-5000)			1
Optional					
118	5400010103-9	Left Spiral Spring Sq.21 X 145 X 7,93mm (Pace 19,05mm) With Washer	1		

• Hopper SPD 3000 W/Pasture Seed Hopper



• Table Hopper SPD 3000 W/Pasture Seed Hopper

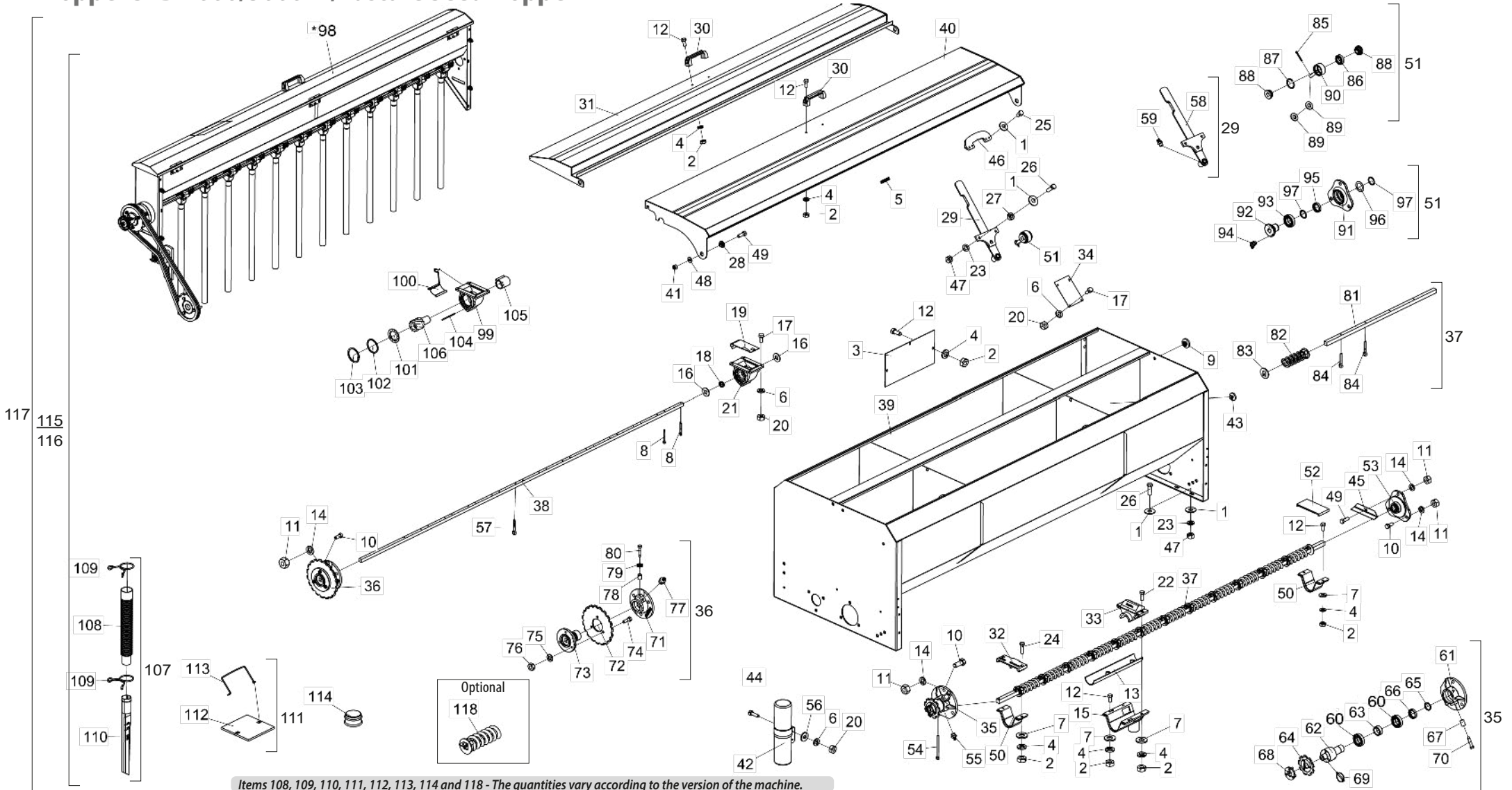
Item	Code	Product description	All	Item	Code	Product description	All
1	5226010001-7	Regulating Seed Divider	2	37	5538010161-0	Fertilizer Dosing Cover	17
2	6020010922-0	Nylon Belt Pmc 594 - 132 X 32 mm	2	38	6020130108-7	Grease Fitting 1/8"	2
3	6020310882-9	Hexagonal Head Bolt Inox 5/16" X 3/4" 18F Unc2A Rt	58	39	5232010298-7	Complete Large Shaft Of Fertilizer 3000 Pace 1".	1
4	6020310767-9	Brass Hexagonal Nut 5/16" 18F Unc Ch.1/2" H.6,50mm	94	40	5024010161-8	Smooth Washer Ø7 X Ø18 X 2,00mm	2
5	6020010435-0	Pressure Washer Inox 1/2" Media	12	41	5204010315-5	Complete Right Hub With Gear De 9 Teeth For Shaft 3/4"	1
6	5106010017-2	Fertilizer Funnel Cover Of 340mm	8	42	5232010270-7	Shaft Sq.5/8" X 1590mm	2
7	5304010008-0	Adjustment Handle Fork	2	43	5538010164-4	Cover Of Fertilizer Deposit(3000)	1
8	6020010434-2	Pressure Washer Inox 5/16" Media	94	44	5204010316-3	Complete Left Hub With Gear Of 9 Teeth For Shaft 3/4"	1
9	5538150028-3	Cover Of Seed Deposit	11	45	6020390341-6	Large Buffer	2
10	5136180363-2	Plate "L" De Apoio Da Caixa	1	46	6020010406-7	Pressure Washer 3/8" Media Industry	12
11	6020310885-3	Hexagonal Head Bolt Inox 1/2" X 1.1/4" 12F W Rt	11	47	5204010340-6	Complete Seed Hub SPD/Sd/Sa-3000	2
12	6020050101-5	Cotterpin 1/8" X 1"	29	48	6020250252-3	Helical Spring Ø23 X Ø28 X 24mm	16
13	6020390441-2	Small Cover Of Cunette	1	49	5208010737-4	Hopper De Semente and Adubo SPD-3000	1
14	6020310754-7	Hexagonal Nut 1/2" 12F W Gr5 Ch.7/8" Height 12,00mm	12	50	6020310884-5	Hexagonal Head Bolt Inox 5/16" X 1.1/4" 18F Unc2A Rt	2
15	5024010075-1	Smooth Washer Ø10,3 X Ø25 X 2,00mm	16	51	6020311004-1	Hexagonal Head Bolt 1/4" X 7/8" 20F Unc1A Gr5 Rt	2
16	6020050120-1	Cotterpin 1/4" X 3"	2	52	6020030137-7	Fertilizer Distributor Funnel	17
17	6020010431-8	Plain Inox Washer Ø8,5 X Ø18 X 1,8mm	72	53	5008010220-5	Adjustment Handle	2
18	6020310026-7	Hexagonal Head Bolt 3/8" X 1.1/4" 16F Unc1A Gr5 Rt	12	54	6020010432-6	Plain Inox Washer Ø13,3 X Ø27 X 2,4mm	4
19	5538010167-9	Cover Of Seed Deposit(3000)	1	55	6020050642-4	Container For Instruction Manual	1
20	6020311001-7	Hexagonal Head Bolt 1/4" X 5/8" 20F Unc1A Gr5 Rt	108	56	5136010345-9	Fertilizer and Seed Hopper Plate	6
21	5232010299-5	Complete Small Shaft Of Fertilizer 3000 (Pace 1")	1	57	5080010358-1	Bushing Of Ø10,3 X Ø7/8" X 10mm	4
22	6020310766-0	Brass Hexagonal Nut 1/4" 20F Unc Ch.7/16" H.5,50mm	110	58	6020311030-0	Hexagonal Head Bolt 3/8" X 5/8" 16F Unc1A Gr2 Rt	4
23	6020050104-0	Cotterpin 3/16" X 1"	4	59	5538130001-2	Cover Of Seed Distributor	16
24	5024010083-2	Smooth Washer Sq.17 X Ø43 X 3,00mm	32	60	5024010162-6	Smooth Washer Ø13 X Ø26 X 2,00mm	2
25	6020050619-0	Nozzle Wedge	2	61	5080010876-1	Bushing	2
26	6020010402-4	Pressure Washer 1/4" Media Industry	110	62	5368010615-7	Bearing Of Adjustment Handle	1
27	6020310886-1	Hexagonal Head Bolt Inox 1/2" X 1.1/2" 12F W Rt	5	63	6020350075-3	Bearing 6005 2Rs	1
28	5080020484-1	Bushing Of Ø13,1 X Ø31,5 X 12,5mm	4	64	6020011053-9	Retaining Ring I-047	1
29	6020310746-6	Hexagonal Nut 3/8" 16F Unc Gr5 Ch.9/16" Height 8,50mm	12	65	6020050101-5	Cotterpin 1/8" X 1"	1
30	5048010025-2	Plastic Chock Absorver W/Metalic Reinforcement	7	66	5558100005-6	Lock	2
31	6020310809-8	Self-Locking Nut With Nylon 1/2" 12F W Gr5 Ch.3/4" H.15,50mm	4	67	6020010266-8	Retaining Oring	2
32	5092100010-0	Complete Seed Distribuotr Box Inclined Rotor	16	68	6020350013-3	Bearing 6007-2Rs	4
33	6020390340-8	Small Buffer	2	69	5080020112-5	Bushing Of Ø14 X Ø19 X 28mm	2
34	6020310883-7	Hexagonal Head Bolt Inox 5/16" X 1" 18F Unc2A Rt	34	70	5204010317-1	Gear Fixation Hub (Shaft 3/4")	2
35	6010601385-6	Small Batcher Cover Of Fertilizer	1	71	5204010135-7	Right Fertilizer Shaft Hub	1
36	5106010033-4	Fertilizer Funnel Cover Of 170mm	1	71	5204010201-9	Left Hub Of Fertilizer Shaft	1

• Table Hopper SPD 3000 W/Pasture Seed Hopper

Item	Code	Product description	All
72	6020350255-1	Retainer Ø35,00 X Ø47,00 X 10,00mm	2
73	6020311040-8	Hexagonal Head Bolt 7/16" X 2" 14F Unc1A Gr5 Rp	2
74	5080020057-9	Bushing Of Ø35 X Ø45 X 17mm	2
75	5256030029-8	Gear 9 Teeth	2
76	6020390301-7	Lock Ø5,75 X 50mm	2
77	5080020118-4	Bushing Of Ø14 X Ø19 X 20,5mm	2
78	6020311040-8	Hexagonal Head Bolt 7/16" X 2" 14F Unc1A Gr5 Rp	2
79	5256030005-0	Gear 19 Teeth With Central Hole Ø65mm	2
80	5204070004-8	Large Hub Of Seed Shaft	2
81	6020310767-9	Brass Hexagonal Nut 5/16" 18F Unc Ch.1/2" H.6,50mm	6
82	6020130108-7	Grease Fitting 1/8"	2
83	6020010434-2	Pressure Washer Inox 5/16" Media	6
84	5204010339-2	Seed Shaft Hub Square Hole 16,8mm SPD/Sd/Sa-3000	2
85	6020010408-3	Pressure Washer 7/16" Media Industry	2
86	6020310883-7	Hexagonal Head Bolt Inox 5/16" X 1" 18F Unc2A Rt	6
87	5008010029-6	Adjustment Handle	2
88	6020130100-1	Grease Fitting 1/4"	2
89	5024070008-2	Special Washer 20 X Ø52 X 2,5mm Spiral Spring	1
90	5232060320-0	Shaft Sq.3/4" X 1515mm	1
90	5232060321-8	Shaft Sq.3/4" X 1630mm	1
91	5400010047-4	Right Spiral Spring Q21 X 145 X 7,93mm (Pace25,4mm) With Washer	17
92	6020050107-4	Cotterpin 3/16" X 1" (Inox)	18
*93	5092010378-0	Complete Pasture Seed Hopper (SPD-3000)	1
94	5092010319-4	Spare Seed Distributor Box	16
95	5480030001-3	Seed Register	16
96	5024010344-0	Special Washer Ø56 X Ø71 X 6,30mm Helicoidal Rotor Guide	16
97	6020010298-6	Anel Ø62,6 X Ø71,5 X 2,7mm	16
98	6020010290-0	Retaining Ring I-72	16
99	5432090053-3	Flat Pin Ø3 X 58mm	16
100	5080120001-7	Bushing Rotor W/Hole	16
101	5518010003-1	Helicoidal Rotor	16
102	5150010129-0	Complete Fertilizer Conductor (SPD)	1
103	6020250111-0	Rubber Tube Ø38 X Ø50,8 X 400mm	1
104	6020250322-8	Lock Spring	1
105	6020030672-7	Distributor Funnel 425mm	1
106	5538010244-6	Complete Large Tube (Plastic Box)	1

Item	Code	Product description	All
107	6020010101-4	Seed Conductor Cover	1
108	6020010924-7	Cover Stics	1
109	6020390815-9	Fertilizer Funnel Cover	1
110	5208011994-1	Complete Fertilizer And Seed Hopper SPD-3000 With Pasture Seed Hopper	1
Optional			
111	5400010034-2	Right Spiral Spring Q21X145X7,93mm (Pace19,05mm) With Washer	1

• Hopper SPD 4000/5000 W/Pasture Seed Hopper



Items 108, 109, 110, 111, 112, 113, 114 and 118 - The quantities vary according to the version of the machine.

Hopper (117) is made up of all the parts listed in this list, but when sold complete, Items 108, 109, 110, 111, 112, 113, 114 and 118 will not accompany it.

* item 98 - See page 27

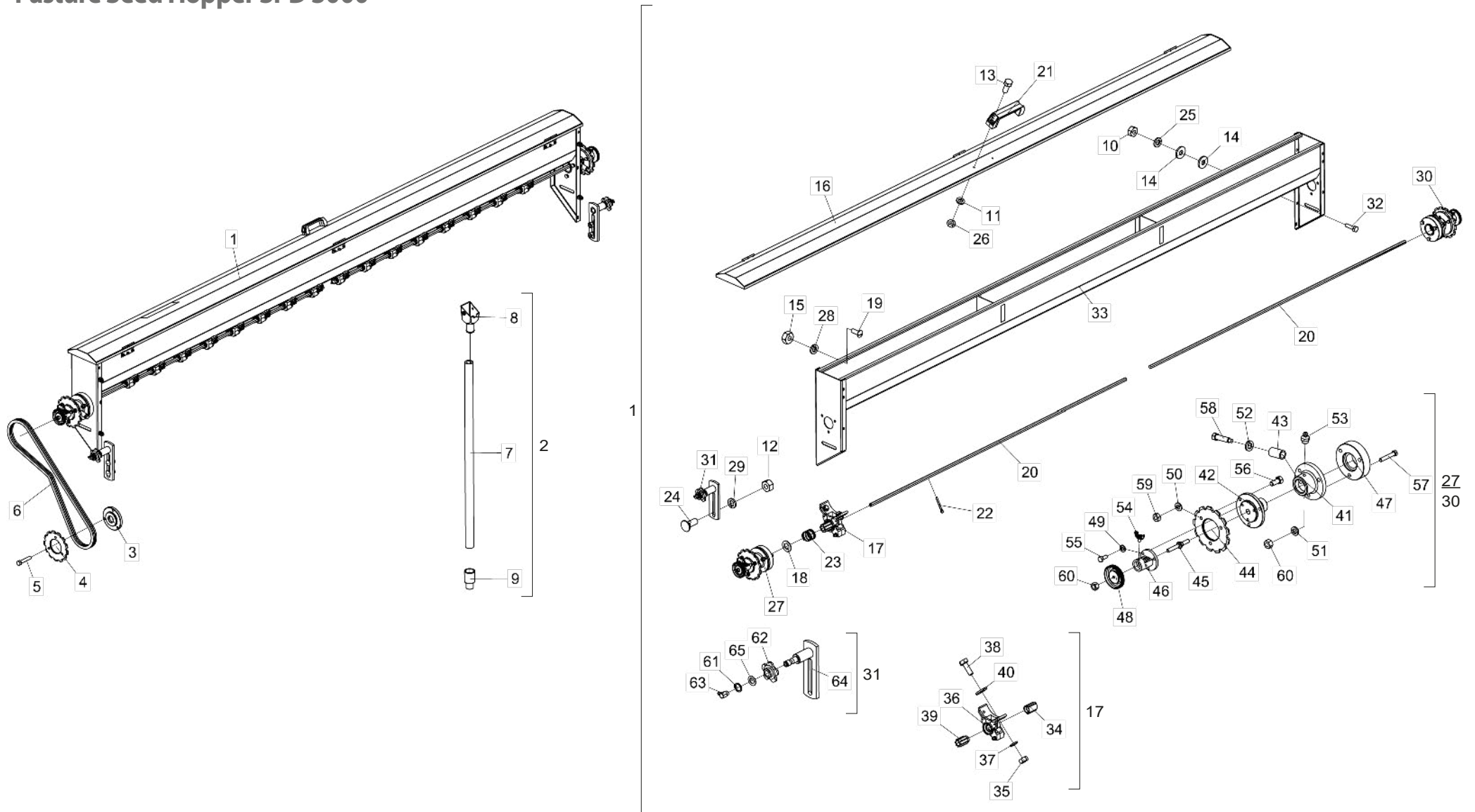
• Table Hopper SPD 4000/5000 W/Pasture Seed Hopper

Item	Code	Product description	All	SPD 4000		Item	Code	Product description	All	SPD 5000	
				SPD 4000	SPD 5000					SPD 4000	SPD 5000
1	5024010075-1	Smooth Washer Ø10,3 X Ø25 X 2,00mm		32	40	37	5232010187-5	Complete Left Shaft Of Fertilizer 4000 Pace 1"		1	
2	6020310767-9	Brass Hexagonal Nut 5/16" 18F Unc Ch.1/2" H.6,50mm		120	136	37	5232010186-7	Complete Right Fertilizer Shaft 5000 Pace 1"			1
3	5136010345-9	Fertilizer and Seed Hopper Plate	8			37	5232010185-9	Complete Left Shaft Of Fertilizer 5000 Pace 1"			1
4	6020010434-2	Pressure Washer Inox 5/16" Media		120	136	38	5232060266-1	Shaft Q5/8" X 1910mm		1	
5	5048010025-2	Plastic Chock Absorver W/Metalic Reinforcement	14			38	5232010330-4	Shaft Sq.5/8" X 1910mm Left		1	
6	6020010402-4	Pressure Washer 1/4" Media Industry		166	194	38	5232060265-3	Shaft Q5/8" X 2250mm			1
7	6020010431-8	Plain Inox Washer Ø8,5 X Ø18 X 1,8mm		88	104	38	5232010331-2	Shaft Sq.5/8" X 2250mm Left.			1
8	6020050101-5	Cotterpin 1/8" X 1"		36	44	39	5208010832-0	Seed And Fertilizer Hopper SPD-4000		2	
9	6020390341-6	Large Buffer	4			39	5208011349-8	Fertilizer And Seed Hopper (SPD-5000)			2
10	6020310885-3	Hexagonal Head Bolt Inox 1/2" X 1.1/4" 12F W Rt	16			40	5538010165-2	Cover Of Fertilizer Deposit(4000)		2	
11	6020310754-7	Hexagonal Nut 1/2" 12F W Gr5 Ch.7/8" Height 12,00mm	18			40	5538010166-0	Cover Of Fertilizer Deposit(5000)			2
12	6020310882-9	Hexagonal Head Bolt Inox 5/16" X 3/4" 18F Unc2A Rt		76	84	41	6020310809-8	Self-Locking Nut With Nylon 1/2" 12F W Gr5 Ch.3/4" H.15,50mm	8		
13	5106010017-2	Fertilizer Funnel Cover Of 340mm		10	12	42	6020050642-4	Container For Instruction Manual		1	1
14	6020010435-0	Pressure Washer Inox 1/2" Media	18			43	6020390340-8	Small Buffer	4		
15	6020030137-7	Fertilizer Distributor Funnel		20	24	44	6020311004-1	Hexagonal Head Bolt 1/4" X 7/8" 20F Unc1A Gr5 Rt		2	2
16	5024010083-2	Smooth Washer Sq.17 X Ø43 X 3,00mm		32	48	45	5136180363-2	Plate "L" De Apoio Da Caixa	2		
17	6020311001-7	Hexagonal Head Bolt 1/4" X 5/8" 20F Unc1A Gr5 Rt		164	192	46	5226010001-7	Regulating Seed Divider	2		
18	6020250252-3	Helical Spring Ø23 X Ø28 X 24mm		20	24	47	6020310746-6	Hexagonal Nut 3/8" 16F Unc Gr5 Ch.9/16" Height 8,50mm	20		
19	5538130001-2	Cover Of Seed Distributor		20	24	48	6020010432-6	Plain Inox Washer Ø13,3 X Ø27 X 2,4mm	8		
20	6020310766-0	Brass Hexagonal Nut 1/4" 20F Unc Ch.7/16" H.5,50mm		166	194	49	6020310886-1	Hexagonal Head Bolt Inox 1/2" X 1.1/2" 12F W Rt	10		
21	5092100010-0	Complete Seed Distribuotr Box Inclined Rotor		20	24	50	6020050619-0	Nozzle Wedge	4		
22	6020310883-7	Hexagonal Head Bolt Inox 5/16" X 1" 18F Unc2A Rt		40	48	51	5304010008-0	Adjustment Handle Fork	2		
23	6020010406-7	Pressure Washer 3/8" Media Industry	20			52	6020390441-2	Small Cover Of Cunette	2		
24	6020310884-5	Hexagonal Head Bolt Inox 5/16" X 1.1/4" 18F Unc2A Rt	4			53	5204010199-3	Complete Ertilizer Hooper Hub	2		
25	6020311030-0	Hexagonal Head Bolt 3/8" X 5/8" 16F Unc1A Gr2 Rt	4			54	6020050120-1	Cotterpin 1/4" X 3"	2		
26	6020310026-7	Hexagonal Head Bolt 3/8" X 1.1/4" 16F Unc1A Gr5 Rt	20			55	6020130108-7	Grease Fitting 1/8"	2		
27	5080010358-1	Bushing Of Ø10,3 X Ø7/8" X 10mm	4			56	5024010161-8	Smooth Washer Ø7 X Ø18 X 2,00mm		2	2
28	5080020484-1	Bushing Of Ø13,1 X Ø31,5 X 12,5mm	8			57	6020050104-0	Cotterpin 3/16" X 1"	4		
29	5008010220-5	Adjustment Handle	2			58	5008010029-6	Adjustment Handle	2		
30	6020010922-0	Nylon Belt Pmc 594 - 132 X 32 mm	4			59	6020130100-1	Grease Fitting 1/4"	2		
31	5538010168-7	Cover Of Seed Deposit(4000)		2		60	6020350013-3	Bearing 6007-2Rs	4		
31	5538010169-5	Cover Of Seed Deposit(5000)			2	61	5204010135-7	Right Fertilizer Shaft Hub	1		
32	6010601385-6	Small Batcher Cover Of Fertilizer	2			61	5204010201-9	Left Hub Of Fertilizer Shaft	1		
33	5538010161-0	Fertilizer Dosing Cover		20	24	62	5204010364-3	Gear Fixation Hub (Shaft 3/4")	2		
34	5538150028-3	Cover Of Seed Deposit		21	24	63	5080020057-9	Bushing Of Ø35 X Ø45 X 17mm	2		
35	5204010235-3	Complete Left Hub With Gear Of 9 Teeth For Shaft 3/4"	1			64	5256030029-8	Gear 9 Teeth	2		
35	5204010236-1	Complete Right Hub With Gear De 9 Teeth For Shaft 3/4"	1			65	6020010266-8	Retaining Oring	2		
36	5204070039-0	Complete Seed Hub	2			66	6020350255-1	Retainer Ø35,00 X Ø47,00 X 10,00mm	2		
37	5232010188-3	Complete Right Fertilizer Shaft 4000 Pace 1"		1		67	5080020112-5	Bushing Of Ø14 X Ø19 X 28mmmm	2		

• Table Hopper SPD 4000/5000 W/Pasture Seed Hopper

Item	Code	Product description	All	SPD 4000		Item	Code	Product description	All	SPD 5000	
				SPD 4000	SPD 5000					SPD 4000	SPD 5000
68	5558100005-6	Lock	2			103	6020010290-0	Retaining Ring I-72		20	24
69	6020390301-7	Lock Ø5,75 X 50mm	2			104	5432090053-3	Flat Pin Ø3 X 58mm		20	24
70	6020311040-8	Hexagonal Head Bolt 7/16" X 2" 14F Unc1A Gr5 Rp	2			105	5080120001-7	Bushing Rotor W/Hole		20	24
71	5204070004-8	Large Hub Of Seed Shaft	2			106	5518010003-1	Helicoidal Rotor		20	24
72	5256030005-0	Gear 19 Teeth With Central Hole Ø65mm	2			107	5150010129-0	Complete Fertilizer Conductor (SPD)	1		
73	5204070003-0	Seed Shaft Hub Square Hole 16,8mm	2			108	6020250111-0	Rubber Tube Ø38 X Ø50,8 X 400mm	1		
74	6020310883-7	Hexagonal Head Bolt Inox 5/16" X 1" 18F Unc2A Rt	6			109	6020250322-8	Lock Spring	1		
75	6020010434-2	Pressure Washer Inox 5/16" Media	6			110	6020030672-7	Distributor Funnel 425mm	1		
76	6020310767-9	Brass Hexagonal Nut 5/16" 18F Unc Ch.1/2" H.6,50mm	6			111	5538010244-6	Complete Large Tube (Plastic Box)	1		
77	6020130108-7	Grease Fitting 1/8"	2			112	6020010101-4	Seed Conductor Cover	1		
78	5080020118-4	Bushing Of Ø14 X Ø19 X 20,5mm	2			113	6020010924-7	Cover Stics	1		
79	6020010408-3	Pressure Washer 7/16" Media Industry	2			114	6020390815-9	Fertilizer Funnel Cover	1		
80	6020311040-8	Hexagonal Head Bolt 7/16" X 2" 14F Unc1A Gr5 Rp	2			115	5208011996-8	Complete Right Fertilizer And Seed Hopper SPD-4000 With Seed Hopper		1	
81	5232010192-1	Rigth/Left Fertilizer Shaft 1935mm		2		115	5208011999-2	Complete Right Fertilizer And Seed Hopper SPD-5000 With Seed Hopper			1
81	5232010191-3	Rigth/Left Fertilizer Shaft 2275mm			2	116	5208011997-6	Complete Left Fertilizer And Seed Hopper SPD-4000 With Seed Hopper		1	
82	5400010047-4	Right Spiral Spring Q21 X 145 X 7,93mm (Pace25,4mm) With Washer			10 12	116	5208012000-1	Complete Left Fertilizer And Seed Hopper SPD-5000 With Seed Hopper			1
82	5400010048-2	Left Spiral Spring Q 21X145X7,93mm (Pace 25,4mm) With Washer			10 12	117	5208011995-0	Complete Fertilizer And Seed Hopper SPD-4000 With Pasture Seed Hopper		1	
83	5024070008-2	Special Washer 20 X 052 X 2,5mm Spiral Spring	2			117	5208011998-4	Complete Fertilizer And Seed Hopper SPD-5000 With Pasture Seed Hopper			1
84	6020050107-4	Cotterpin 3/16" X 1" (Inox)		22	26	Optional					
85	6020050101-5	Cotterpin 1/8" X 1"	2			118	5400010103-9	Left Spiral Spring Sq.21 X 145 X 7,93mm (Pace 19,05mm) With Washer	1		
86	6020350075-3	Bearing 6005 2Rs	2								
87	6020011053-9	Retaining Ring I-047	2								
88	5080010876-1	Bushing	4								
89	5024010162-6	Smooth Washer Ø13 X Ø26 X 2,00mm	4								
90	5368010615-7	Bearing Of Adjustment Handle	2								
91	6020050487-1	Fertilizer Shaft Hub	2								
92	5204070016-1	Shaft Hub	2								
93	6020350013-3	Bearing 6007-2Rs	2								
94	6020130104-4	Grease Fitting 1/4"	2								
95	6020350255-1	Retainer Ø35,00 X Ø47,00 X 10,00mm	2								
96	5024010374-2	Smooth Washer Ø36 X Ø52 X 1,50mm(Inox)	2								
97	6020010266-8	Retaining Oring	4								
*98	5092010363-1	Complete Right Pasture Seed Hopper(Sa-4000)		1							
*98	5092010369-0	Complete Right Pasture Seed Hopper(Sa-5000)			1						
*98	5092010379-8	Complete Left Pasture Seed Hopper For Plastic Box (SPD-4000)		1							
*98	5092010380-1	Complete Left Pasture Seed Hopper For Plastic Box (SPD-5000)			1						
99	5092010319-4	Spare Seed Distributor Box			20 24						
100	5480030001-3	Seed Register			20 24						
101	5024010344-0	Special Washer Ø56 X Ø71 X 6,30mm Helicoidal Rotor Guide			20 24						
102	6020010298-6	Anel Ø62,6 X Ø71,5 X 2,7mm			20 24						

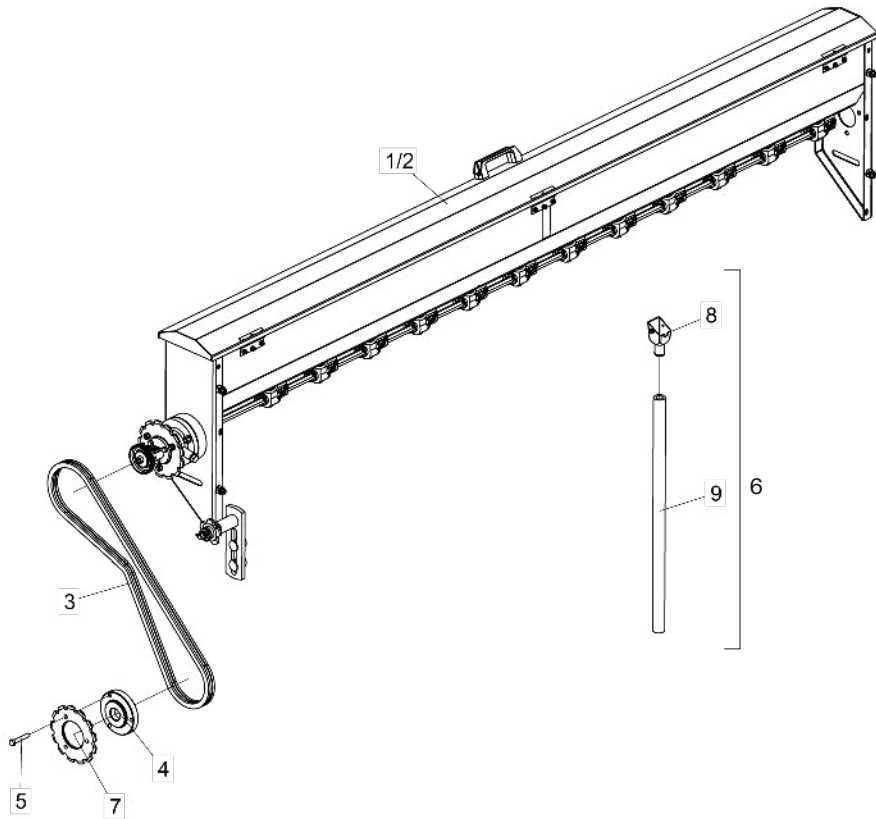
• Pasture Seed Hopper SPD 3000



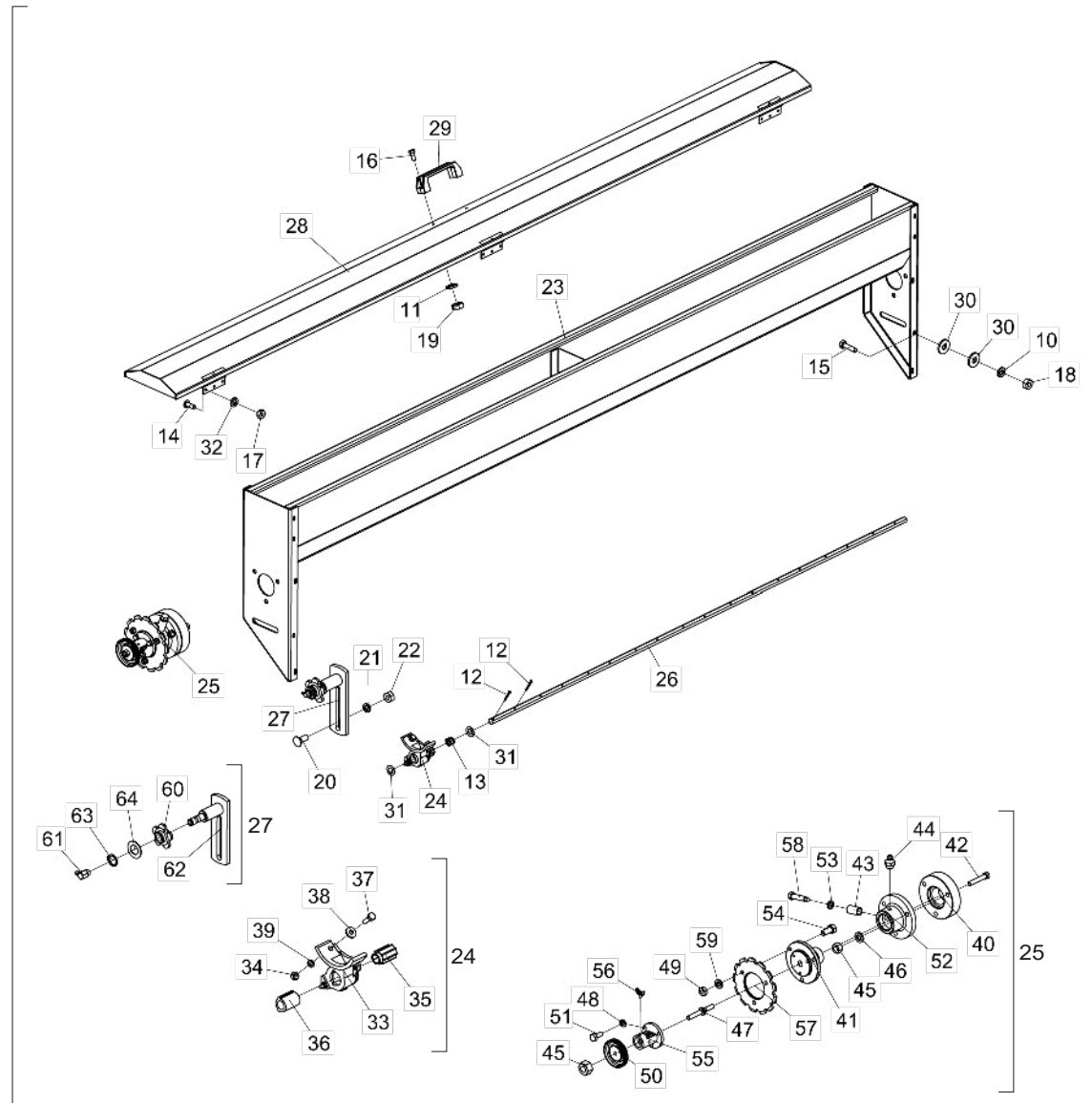
• Table Pasture Seed Hopper SPD 3000

Item	Code	Product description	All	Item	Code	Product description	All
1	5092120080-0	Complete Pasture Seed Hopper Sa/Sd/SPD-3000	1	37	6020010402-4	Pressure Washer 1/4" Media Industry	32
2	5052030025-0	Complete Funnel Of Pasture Seed Hopper	16	38	6020311002-5	Hexagonal Head Bolt 1/4" X 3/4" 20F Unc1A Gr2 Rt	32
3	5526010030-0	Separador Da Gear 17 Dentes SPD/Sd/Sa-3001	2	39	6020350771-5	Rotor Of Seed Distributor Hopper	16
4	5256030022-0	Gear 13 Teeth With Central Hole Ø65mm	2	40	5024010161-8	Smooth Washer Ø7 X Ø18 X 2,00mm	32
5	6020311024-6	Hexagonal Head Bolt 5/16" X 1.3/4" 18F Unc1A Gr2 Rp	6	41	5204060007-8	Large Right Hub	1
6	6020050033-7	Chain 2050 Of 44 Links + Reduction	2	41	5204060009-4	Large Left Hub	1
7	5372050007-4	Hose Ø5/8" X Ø27,5 X 600mm	16	42	5204070027-7	Hub With Hexagonal Hole	2
8	6020030205-5	Plastic Funnel Of Pasture Seed	16	43	5080020229-6	Bushing Of Ø14 X Ø19 X 33mm	2
9	5080011802-3	Technyl Bushing 50mm	16	44	5256030022-0	Gear 13 Teeth With Central Hole Ø65mm	2
10	6020310742-3	Hexagonal Nut 1/4" 20F Unc Gr5 Ch.7/16" Height 5,50mm	4	45	5296010009-3	Regulator Spindle Of Shaft (Csf)	2
11	6020010434-2	Pressure Washer Inox 5/16" Media	2	46	5484120001-5	Scale Regulator	2
12	6020310754-7	Hexagonal Nut 1/2" 12F W Gr5 Ch.7/8" Height 12,00mm	4	47	5526020003-7	Separator Of Large Hub	2
13	6020310882-9	Hexagonal Head Bolt Inox 5/16" X 3/4" 18F Unc2A Rt	2	48	5570010002-1	Regulator Wheel Of Shaft	2
14	5024010161-8	Smooth Washer Ø7 X Ø18 X 2,00mm	8	49	6020010402-4	Pressure Washer 1/4" Media Industry	6
15	6020310740-7	Hexagonal Nut 3/16" 24F Unc Gr5 Ch.3/8" Height 4,50mm	9	50	6020010404-0	Pressure Washer 5/16" Media Industry	6
16	5538070075-0	Cover Of Pasture Seed Hopper 3001	1	51	6020010406-7	Pressure Washer 3/8" Media Industry	6
17	5092100006-2	Complete Seed Distributor Box	16	52	6020010408-3	Pressure Washer 7/16" Media Industry	2
18	5024100001-7	Smooth Washer With Hexagonal Hole 13,5 X Ø25 X 1,21mm	32	53	6020130108-7	Grease Fitting 1/8"	2
19	6020310119-0	Bolt 3/16" X 1/2" 24F Unc1A Gr5 Rt	9	54	5420110003-0	Bolt 1/4" X 26mm	2
20	5232010269-3	Hexagonal Shaft 1/2" Pasture Seed Hopper	2	55	6020311001-7	Hexagonal Head Bolt 1/4" X 5/8" 20F Unc1A Gr5 Rt	6
21	6020010922-0	Nylon Belt Pmc 594 - 132 X 32 mm	1	56	6020310038-0	Hexagonal Head Bolt 5/16" X 1" 18F Unc1A Gr5 Rt	6
22	6020050101-5	Cotterpin 1/8" X 1"	32	57	6020310991-4	Hexagonal Head Bolt 3/8" X 2.1/4" 16F Unc Gr5 Rt	6
23	6020250350-3	Helical Spring Ø16 X Ø18 X 16mm	16	58	6020311040-8	Hexagonal Head Bolt 7/16" X 2" 14F Unc1A Gr5 Rp	2
24	6020311174-9	French Head Bolt 1/2" X 1.1/4" 12FW Gr2 Rt	4	59	6020310744-0	Hexagonal Nut 5/16" 18F Unc Gr5 Ch.1/2" Height 6,50mm	6
25	6020010402-4	Pressure Washer 1/4" Media Industry	4	60	6020310746-6	Hexagonal Nut 3/8" 16F Unc Gr5 Ch.9/16" Height 8,50mm	8
26	6020310767-9	Brass Hexagonal Nut 5/16" 18F Unc Ch.1/2" H.6,50mm	2	61	6020010252-8	Retaining Oring	2
27	5204010359-7	Complete Left Hub Of Pasture Seed Hopper	1	62	6020090502-7	Sprocket 5012-1	2
28	6020010400-8	Pressure Washer 3/16" Media Industry	9	63	6020130112-5	Grease Fitting 1/8"	2
29	6020010410-5	Pressure Washer 1/2" Media Industry	4	64	5530020186-4	Support W/Gear Shaft	2
30	5204010338-4	Complete Right Hub Of Pasture Seed Hopper	1	65	5024010059-0	Smooth Washer Ø16,5 X Ø29 X 1,21mm	2
31	5268010109-4	Complete Chain Stretcher	2				
32	6020310019-4	Hexagonal Head Bolt 1/4" X 1" 20F Unc1A Gr2 Rt	4				
33	5092120079-7	Pasture Seed Hopper 3000	1				
34	6020030082-6	Rotor Bushing	16				
35	6020310742-3	Hexagonal Nut 1/4" 20F Unc Gr5 Ch.7/16" Height 5,50mm	32				
36	6020050420-0	Seed Distributor Box	16				

• Pasture Seed Hopper 4000/5000



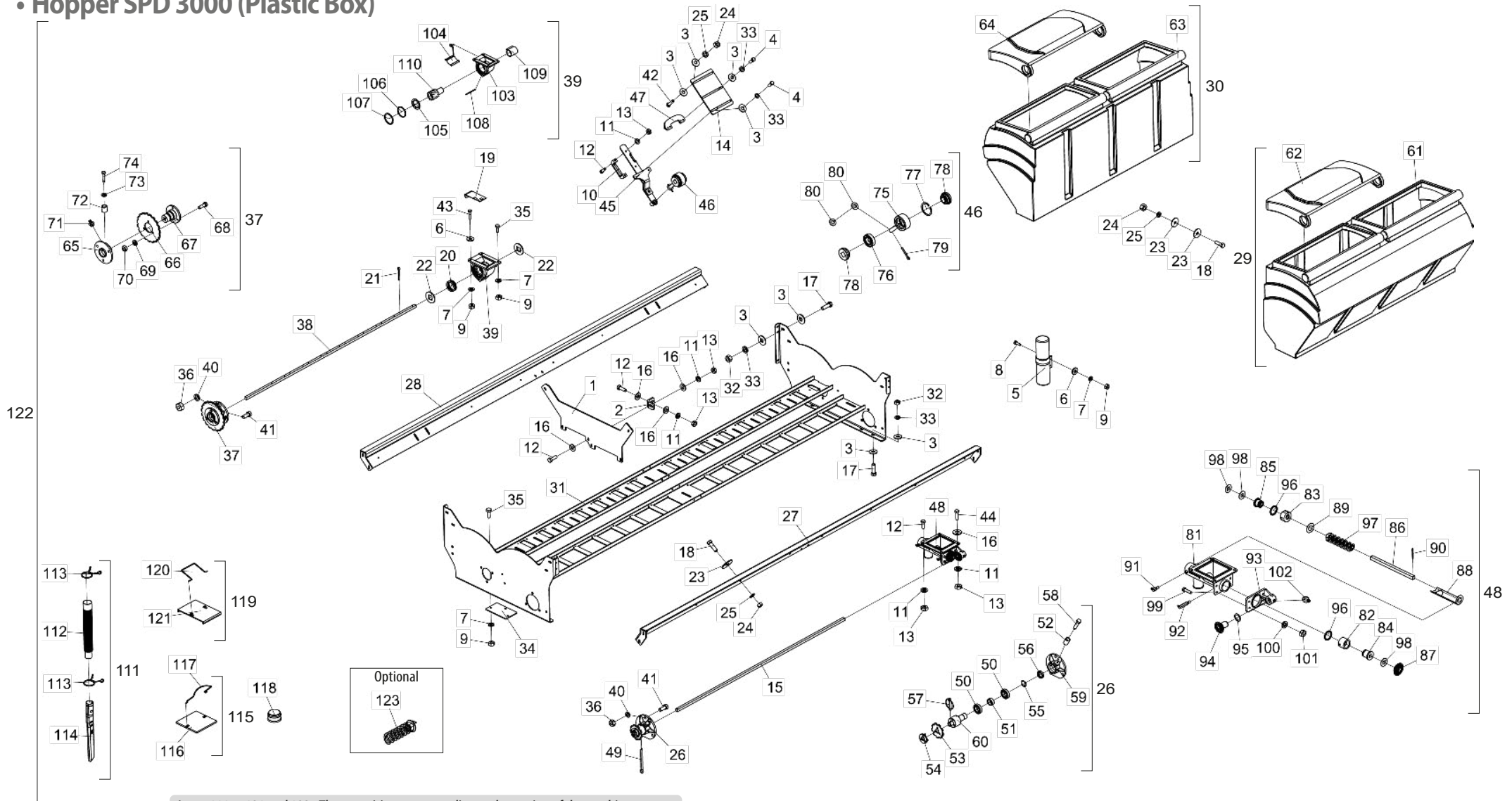
1
2



• Table Pasture Seed Hopper 4000/5000

Item	Code	Product description	All	SPD 4000		Item	Code	Product description	All	SPD 5000	
				SPD 4000	SPD 5000					SPD 4000	SPD 5000
1	5092010365-8	Complete Right Pasture Seed Box (Sa/Sd/SPD-4000)		1		33	6020050420-0	Seed Distributor Box		20	24
1	5092010371-2	Complete Right Pasture Seed Box (Sa/Sd/SPD-5000)			1	34	6020310742-3	Hexagonal Nut 1/4" 20F Unc Gr5 Ch.7/16" Height 5,50mm		40	48
2	5092010368-2	Complete Left Pasture Seed Box(Sa/Sd/SPD-4000)		1		35	6020350771-5	Rotor Of Seed Distributor Hopper		20	24
2	5092010374-7	Complete Left Pasture Seed Hopper For Plastic Box(Sa/Sd/SPD-5000)			1	36	6020030082-6	Rotor Bushing		20	24
3	6020050033-7	Chain 2050 Of 44 Links + Reduction	2			37	6020311002-5	Hexagonal Head Bolt 1/4" X 3/4" 20F Unc1A Gr2 Rt		40	48
4	5526020002-9	Separador Da Gear 17 Dentes (C.S.F)	2			38	5024010161-8	Smooth Washer Ø7 X Ø18 X 2,00mm		40	48
5	6020311025-4	Hexagonal Head Bolt 5/16" X 2" 18F Unc1A Gr2 Rp	6			39	6020010402-4	Pressure Washer 1/4" Media Industry		40	48
6	5052030025-0	Complete Funnel Of Pasture Seed Hopper		20	24	40	5526020003-7	Separator Of Large Hub	2		
7	5256030022-0	Gear 13 Teeth With Central Hole Ø65mm	2			41	5204070027-7	Hub With Hexagonal Hole	2		
8	6020030205-5	Plastic Funnel Of Pasture Seed		20	24	42	6020310991-4	Hexagonal Head Bolt 3/8" X 2.1/4" 16F Unc Gr5 Rt	6		
9	5372050007-4	Hose Ø5/8" X Ø27,5 X 600mm		20	24	43	5080020229-6	Bushing Of Ø14 X Ø19 X 33mm	2		
10	6020010402-4	Pressure Washer 1/4" Media Industry	8			44	6020130108-7	Grease Fitting 1/8"	2		
11	6020010434-2	Pressure Washer Inox 5/16" Media	4			45	6020310746-6	Hexagonal Nut 3/8" 16F Unc Gr5 Ch.9/16" Height 8,50mm	8		
12	6020050101-5	Cotterpin 1/8" X 1"		40	48	46	6020010406-7	Pressure Washer 3/8" Media Industry	6		
13	6020250350-3	Helical Spring Ø16 X Ø18 X 16mm		20	24	47	5296010009-3	Regulator Spindle Of Shaft (Csf)	2		
14	6020310119-0	Bolt 3/16" X 1/2" 24F Unc1A Gr5 Rt		12	18	48	6020010402-4	Pressure Washer 1/4" Media Industry	6		
15	6020310019-4	Hexagonal Head Bolt 1/4" X 1" 20F Unc1A Gr2 Rt	8			49	6020310744-0	Hexagonal Nut 5/16" 18F Unc Gr5 Ch.1/2" Height 6,50mm	6		
16	6020310882-9	Hexagonal Head Bolt Inox 5/16" X 3/4" 18F Unc2A Rt	4			50	5570010002-1	Regulator Wheel Of Shaft	2		
17	6020310740-7	Hexagonal Nut 3/16" 24F Unc Gr5 Ch.3/8" Height 4,50mm		12	18	51	6020311001-7	Hexagonal Head Bolt 1/4" X 5/8" 20F Unc1A Gr5 Rt	6		
18	6020310742-3	Hexagonal Nut 1/4" 20F Unc Gr5 Ch.7/16" Height 5,50mm	8			52	5204060007-8	Large Right Hub	1		
19	6020310767-9	Brass Hexagonal Nut 5/16" 18F Unc Ch.1/2" H.6,50mm	4			52	5204060009-4	Large Left Hub	1		
20	6020311174-9	French Head Bolt 1/2" X 1.1/4" 12F W Gr2 Rt	4			53	6020010408-3	Pressure Washer 7/16" Media Industry	2		
21	6020010410-5	Pressure Washer 1/2" Media Industry	4			54	6020310038-0	Hexagonal Head Bolt 5/16" X 1" 18F Unc1A Gr5 Rt	6		
22	6020310754-7	Hexagonal Nut 1/2" 12F W Gr5 Ch.7/8" Height 12,00mm	4			55	5484120001-5	Scale Regulator	2		
23	5092010254-6	Right Pasture Seed Hopper(4000)		1		56	5420110003-0	Bolt 1/4" X 26mm	2		
23	5092120069-0	Right Pasture Seed Hopper (5000)			1	57	5256030022-0	Gear 13 Teeth With Central Hole Ø65mm	2		
23	5092010255-4	Left Pasture Seed Hopper(5000)		1		58	6020311040-8	Hexagonal Head Bolt 7/16" X 2" 14F Unc1A Gr5 Rp	2		
23	5092120068-1	Left Pasture Seed Hopper (5000)			1	59	6020010404-0	Pressure Washer 5/16" Media Industry	6		
24	5092100006-2	Complete Seed Distributor Box		20	24	60	6020090502-7	Sprocket 5012-1	2		
25	5204010338-4	Complete Right Hub Of Pasture Seed Hopper	1			61	6020130112-5	Grease Fitting 1/8"	2		
25	5204010359-7	Complete Left Hub Of Pasture Seed Hopper	1			62	5530020186-4	Support W/Gear Shaft	2		
26	5232120169-5	Hexagonal Shaft 1/2" Pasture Seed Hopper		2		63	6020010252-8	Retaining Oring	2		
26	5232120170-9	Hexagonal Shaft 1/2" Pasture Seed Hopper			2	64	5024010059-0	Smooth Washer Ø16,5 X Ø29 X 1,21mm	2		
27	5268010109-4	Complete Chain Stretcher	2								
28	5538010069-9	Pasture Seed Box Cover(4000)		2							
28	5538070077-7	Cover Of Seed Hopper Fina(5000)			2						
29	6020010922-0	Nylon Belt Pmc 594 - 132 X 32 mm	2								
30	5024010161-8	Smooth Washer Ø7 X Ø18 X 2,00mm	16								
31	5024100001-7	Smooth Washer With Hexagonal Hole 13,5 X Ø25 X 1,21mm		40	48						
32	6020010400-8	Pressure Washer 3/16" Media Industry		12	18						

• Hopper SPD 3000 (Plastic Box)



Items 111 to 121 and 123 - The quantities vary according to the version of the machine.

Hopper (122) is made up of all the parts listed in this list, but when sold complete, Items 111 to 121 and 123 will not accompany it.

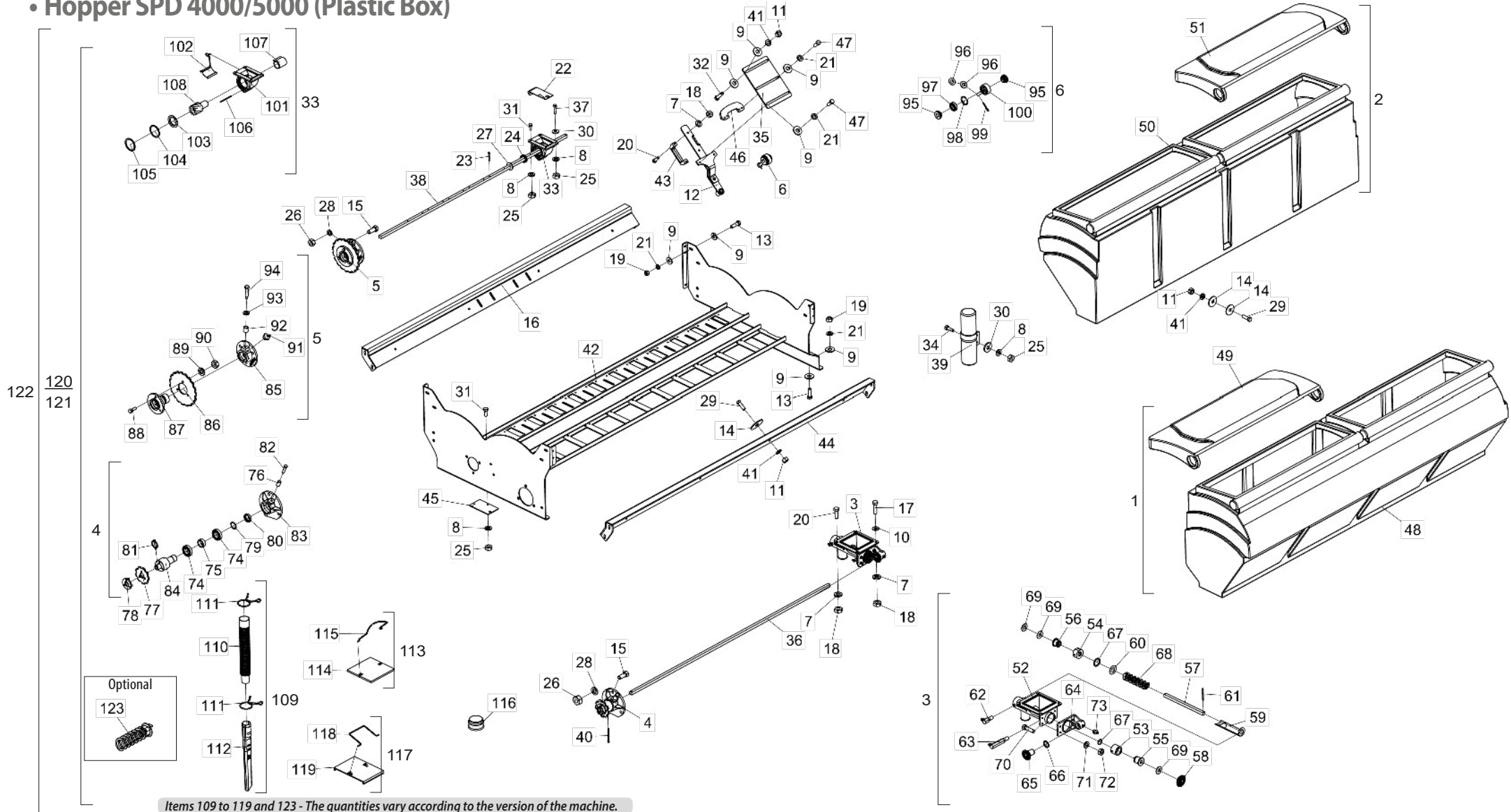
• Table Hopper SPD 3000 (Plastic Box)

Item	Code	Product description	All	Item	Code	Product description	All
1	5136015123-2	Hopper Central Plate	1	36	6020310754-7	Hexagonal Nut 1/2" 12F W Gr5 Ch.7/8" Height 12,00mm	12
2	5136015120-8	Small Fixation Plate	6	37	5204010340-6	Complete Seed Hub SPD/Sd/Sa-3000	2
3	5024010075-1	Smooth Washer Ø10,3 X Ø25 X 2,00mm	48	38	5232011449-7	Shaft Sq.5/8" X 1530mm	2
4	6020310054-2	Hexagonal Head Bolt 3/8" X 1" 16F Unc1A Gr2 Rt	8	39	5092100010-0	Complete Seed Distribuotr Box Inclined Rotor	16
5	6020050642-4	Container For Instruction Manual	1	40	6020010435-0	Pressure Washer Inox 1/2" Media	12
6	5024010161-8	Smooth Washer Ø7 X Ø18 X 2,00mm	14	41	6020310885-3	Hexagonal Head Bolt Inox 1/2" X 1.1/4" 12FW Rt	12
7	6020010402-4	Pressure Washer 1/4" Media Industry	72	42	6020310895-0	Hexagonal Head Bolt Inox 3/8" X 1.1/2" 16F Unc2A Rt	4
8	6020311004-1	Hexagonal Head Bolt 1/4" X 7/8" 20F Unc1A Gr5 Rt	2	43	6020310020-8	Hexagonal Head Bolt 1/4" X 1.1/4" 20F Unc1A Gr5 Rt	12
9	6020310766-0	Brass Hexagonal Nut 1/4" 20F Unc Ch.7/16" H.5,50mm	72	44	6020310884-5	Hexagonal Head Bolt Inox 5/16" X 1.1/4" 18F Unc2A Rt	12
10	6020010922-0	Nylon Belt Pmc 594 - 132 X 32 mm	10	45	5008010235-3	Adjustment Handle Of Plastic Box Of The Complete Seed	2
11	6020010434-2	Pressure Washer Inox 5/16" Media	80	46	5304010008-0	Adjustment Handle Fork	2
12	6020310883-7	Hexagonal Head Bolt Inox 5/16" X 1" 18F Unc2A Rt	68	47	5226010001-7	Regulating Seed Divider	2
13	6020310767-9	Brass Hexagonal Nut 5/16" 18F Unc Ch.1/2" H.6,50mm	80	48	5150010012-9	Right Fertilizer Conductor W/Pace Of 25,40mm Complete	8
14	5136014620-4	Fixation Plate Of de la Handle	2	48	5150010013-7	Left Fertilizer Conductor W/Pace Of 25,40mm Complete	8
15	5232011448-9	Shaft Sq.5/8" X 1510mm	2	49	6020050120-1	Cotterpin 1/4" X 3"	2
16	6020010431-8	Plain Inox Washer Ø8,5 X Ø18 X 1,8mm	52	50	6020350013-3	Bearing 6007-2Rs	4
17	6020310026-7	Hexagonal Head Bolt 3/8" X 1.1/4" 16F Unc1A Gr5 Rt	16	51	5080020057-9	Bushing Of Ø35 X Ø45 X 17mm	2
18	6020310892-6	Hexagonal Head Bolt Inox 3/8" X 1.1/4" 16F Unc2A Rt	26	52	5080020112-5	Bushing Of Ø14 X Ø19 X 28mmmm	2
19	5538130001-2	Cover Of Seed Distributor	16	53	5256030029-8	Gear 9 Teeth	2
20	6020250252-3	Helical Spring Ø23 X Ø28 X 24mm	16	54	5558100005-6	Lock	2
21	6020050101-5	Cotterpin 1/8" X 1"	32	55	6020010266-8	Retaining Oring	2
22	5024010083-2	Smooth Washer Sq.17 X Ø43 X 3,00mm	32	56	6020350255-1	Retainer Ø35,00 X Ø47,00 X 10,00mm	2
23	5024010428-5	Stainless Smooth Washer Of Ø10,50 X Ø40 X 2,50mm	38	57	6020390301-7	Lock Ø5,75 X 50mm	2
24	6020310768-7	Brass Hexagonal Nut 3/8" 16F Unc Ch.9/16" H.8,50mm	30	58	6020311040-8	Hexagonal Head Bolt 7/16" X 2" 14F Unc1A Gr5 Rp	2
25	6020010436-9	Pressure Washer Inox 3/8" Media	30	59	5204010135-7	Right Fertilizer Shaft Hub	1
26	5204010417-8	Complete Right Hub With Gear De 9 Teeth For Shaft 5/8"	1	59	5204010201-9	Left Hub Of Fertilizer Shaft	1
26	5204010418-6	Complete Left Hub With Gear Of 9 Teeth For Shaft 5/8"	1	60	5204010419-4	Gear Fixation Hub (Shaft 5/8")	2
27	5530014945-5	Fertilizer Hopper Support	1	61	6020055338-4	Plastic Box For Fertilizer Inteirica 3000 Without Cover	2
28	5530014946-3	Seed Hopper Support	1	62	6020390929-5	Plastic Cover Of Fertilizer/Seed Hopper 3000	4
29	6020071646-1	Plastic Fertilizer Hopper With Cover (3000)	2	63	6020055340-6	Plastic Box For Seed Inteirica 3000 Without Cover	2
30	6020071648-8	Plastic Seed With Cover (3000)	2	64	6020390929-5	Plastic Cover Of Fertilizer/Seed Hopper 3000	4
31	5530014947-1	Plastic Hopper Support	1	65	5204070004-8	Large Hub Of Seed Shaft	1
32	6020310746-6	Hexagonal Nut 3/8" 16F Unc Gr5 Ch.9/16" Height 8,50mm	16	66	5256030005-0	Gear 19 Teeth With Central Hole Ø65mm	1
33	6020010406-7	Pressure Washer 3/8" Media Industry	24	67	5204010339-2	Seed Shaft Hub Square Hole 16,8mm SPD/Sd/Sa-3000	1
34	5538010346-9	Cover Of 69 X 119 X 3,00mm	2	68	6020310883-7	Hexagonal Head Bolt Inox 5/16" X 1" 18F Unc2A Rt	3
35	6020311002-5	Hexagonal Head Bolt 1/4" X 3/4" 20F Unc1A Gr2 Rt	60	69	6020010434-2	Pressure Washer Inox 5/16" Media	3

• Table Hopper SPD 3000 (Plastic Box)

Item	Code	Product description	All	Item	Code	Product description	All
70	6020310767-9	Brass Hexagonal Nut 5/16" 18F Unc Ch.1/2" H.6,50mm	3	105	5024010344-0	Special Washer Ø56 X Ø71 X 6,30mm Helicoidal Rotor Guide	16
71	6020130108-7	Grease Fitting 1/8"	1	106	6020010298-6	Anel Ø62,6 X Ø71,5 X 2,7mm	16
72	5080020118-4	Bushing Of Ø14 X Ø19 X 20,5mm	1	107	6020010290-0	Retaining Ring I-72	16
73	6020010408-3	Pressure Washer 7/16" Media Industry	1	108	5432090053-3	Flat Pin Ø3 X 58mm	16
74	6020311040-8	Hexagonal Head Bolt 7/16" X 2" 14F Unc1A Gr5 Rp	1	109	5080120001-7	Bushing Rotor W/Hole	16
75	5368010615-7	Bearing Of Adjustment Handle	1	110	5518010003-1	Helicoidal Rotor	16
76	6020350075-3	Bearing 6005 2Rs	1	111	5150010129-0	Complete Fertilizer Conductor(SPD)	1
77	6020011053-9	Retaining Ring I-047	1	112	6020250111-0	Rubber Tube Ø38 X Ø50,8 X 400mm	1
78	5080010876-1	Bushing	2	113	6020250322-8	Lock Spring	1
79	6020050101-5	Cotterpin 1/8" X 1"	1	114	6020030672-7	Distributor Funnel 425mm	1
80	5024010162-6	Smooth Washer Ø13 X Ø26 X 2,00mm	2	115	5538010244-6	Complete Large Tube (Plastic Box)	1
81	6020050381-6	Fertilizer Conductor	16	116	6020010101-4	Seed Conductor Cover	1
82	6020030084-2	Bushing Ø50 X 35mm Large	16	117	6020010924-7	Cover Stics	1
83	6020030083-4	Bushing Ø52 X 27mm Small	16	118	6020390815-9	Fertilizer Funnel Cover	1
84	5080010286-0	Large Bushing Of Conductor Of Fertilizer	16	119	5538010183-0	Complete Small Cover	1
85	5080010285-2	Small Bushing Of Fertilizer Conductor	16	120	6020010921-2	Cover Stics 112X68 mm	1
86	5232010526-9	Shaft Sq.5/8" X 295mm Fertilizer	16	121	6020390439-0	Cunette Cover	1
87	5428010019-9	Pinion Of 18 Teeth	16	122	5208012368-0	Complete Fertilizer And Seed Hopper SPD Plastic Box 3000(Conductor	1
88	5106010066-0	Fertilizer Cover	16	Optional			
89	5024010341-6	Special Washer The Plastic Box	16	123	5400010111-0	Right Spiral Spring Sq.17,5 X 175 X 7,93mm (Pace 19,05mm)	1
90	6020310539-0	Heavy Elastic Pin Ø3 X 36mm	32	123	5400010112-8	Left Spiral Spring Sq.17,5 X 175 X 7,93mm (Pace 19,05mm)	1
91	6020130114-1	Grease Fitting 1/8"	16				
92	6020130116-8	Grease Fitting 1/8"	16				
93	5092010164-7	Transmission Box	16				
94	5428010018-0	Pinion Of 16 Teeth	16				
95	5024010057-3	Smooth Washer Ø29,5 X Ø41 X 1,21mm	16				
96	6020010043-6	O` Ring 2-214 N3006-90Nbr (24,99)	32				
97	5400010113-6	Right Spiral Spring Sq.17,5 X 175 X 7,93mm (Pace 25,4mm)	8				
97	5400010114-4	Left Spiral Spring Sq.17,5 X 175 X 7,93mm (Pace 25,4mm)	8				
98	5024010342-4	Smooth Washer Sq.16,5 X Ø46 X 1,50mm	48				
99	6020310884-5	Hexagonal Head Bolt Inox 5/16" X 1.1/4" 18F Unc2A Rt	64				
100	6020010434-2	Pressure Washer Inox 5/16" Media	64				
101	6020310767-9	Brass Hexagonal Nut 5/16" 18F Unc Ch.1/2" H.6,50mm	64				
102	6020130108-7	Grease Fitting 1/8"	16				
103	5092010319-4	Spare Seed Distributor Box	16				
104	5480030001-3	Seed Register	16				

• Hopper SPD 4000/5000 (Plastic Box)



Items 109 to 119 and 123 - The quantities vary according to the version of the machine.

Hopper (122) is made up of all the parts listed in this list, but when sold complete, Items 109 to 119 and 123 will not accompany it.

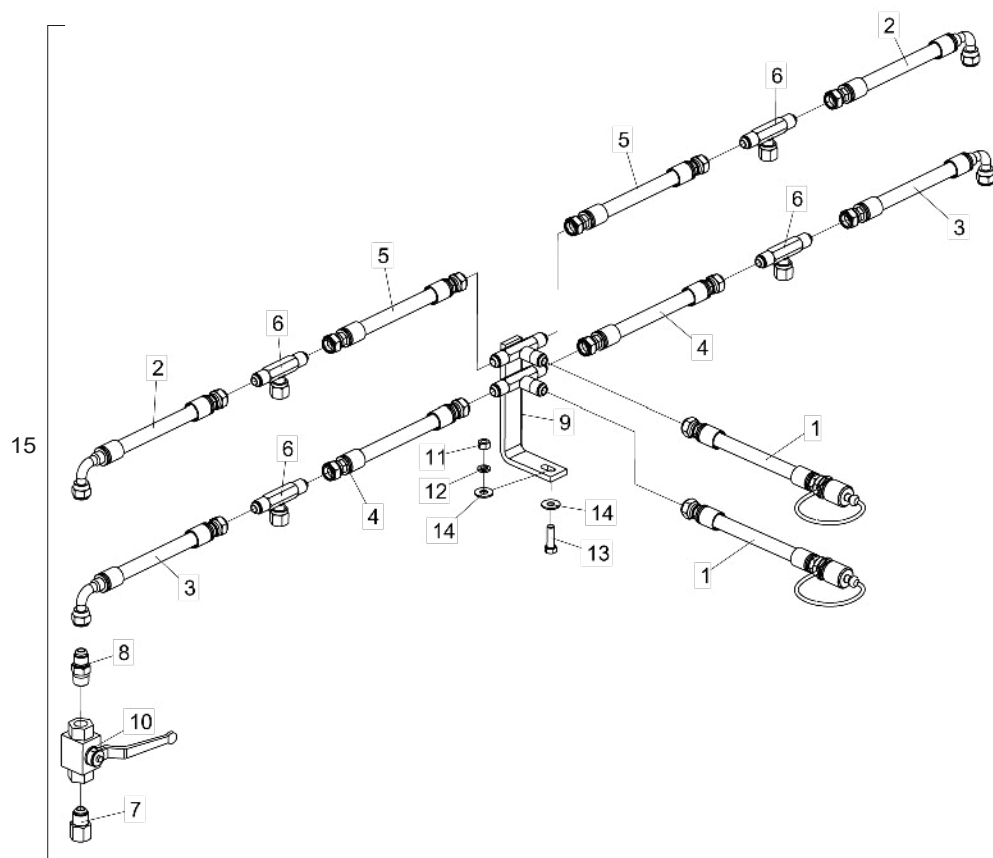
• Table Hopper SPD 4000/5000 (Plastic Box)

Item	Code	Product description	All	SPD 4000	SPD 5000	Item	Code	Product description	All	SPD 4000	SPD 5000
1	6020071647-0	Plastic Fertilizer Hopper With Cover (4000)		2		35	5136014620-4	Fixation Plate Of de la Handle	2		
1	6020071637-2	Plastic Fertilizer Hopper With Cover (5000)			2	36	5232011450-0	Shaft Sq.5/8" X 1782mm		2	
2	6020071649-6	Plastic Seed With Cover (4000)		2		36	5232011453-5	Shaft Sq.5/8" X 2117mm			2
2	6020071635-6	Plastic Seed With Cover (5000)			2	37	6020310020-8	Hexagonal Head Bolt 1/4" X 1.1/4" 20F Unc1A Gr5 Rt	12		
3	5150010012-9	Right Fertilizer Conductor W/Pace Of 25,40mm Complete		10	12	38	5232011451-9	Shaft Sq.5/8" X 1777mm		2	
3	5150010013-7	Left Fertilizer Conductor W/Pace Of 25,40mm Complete		10	12	38	5232011452-7	Shaft Sq.5/8" X 2102mm			2
4	5204010417-8	Complete Right Hub With Gear De 9 Teeth For Shaft 5/8"	1			39	6020050642-4	Container For Instruction Manual		1	1
4	5204010418-6	Complete Left Hub With Gear Of 9 Teeth For Shaft 5/8"	1			40	6020050120-1	Cotterpin 1/4" X 3"	2		
5	5204010340-6	Complete Seed Hub SPD/Sd/Sa-3000	2			41	6020010436-9	Pressure Washer Inox 3/8" Media		30	32
6	5304010010-1	Adjustment Handle Fork Of Platic Box(4000 and 5000)		2		42	5530014948-0	Plastic Hopper Right Support		1	
6	5304010008-0	Adjustment Handle Fork			2	42	5530014950-1	Plastic Hopper Right Support			1
7	6020010434-2	Pressure Washer Inox 5/16" Media		84	100	42	5530014949-8	Plastic Hopper Left Support		1	
8	6020010402-4	Pressure Washer 1/4" Media Industry		88	104	42	5530014951-0	Plastic Hopper Left Support			1
9	5024010075-1	Smooth Washer Ø10,3 X Ø25 X 2,00mm	80			43	6020010922-0	Nylon Belt Pmc 594 - 132 X 32 mm	10		
10	6020010431-8	Plain Inox Washer Ø8,5 X Ø18 X 1,8mm	28			44	5530014871-8	Hopper Support Of Fertilizer Plastic Box		2	
11	6020310768-7	Brass Hexagonal Nut 3/8" 16F Unc Ch.9/16" H.8,50mm		30	32	44	5530014808-4	Hopper Support Of Fertilizer Plastic Box			2
12	5008010235-3	Adjustment Handle Of Plastic Box Of The Complete Seed	2			45	5538010346-9	Cover Of 69 X 119 X 3,00mm	2		
13	6020310026-7	Hexagonal Head Bolt 3/8" X 1.1/4" 16F Unc1A Gr5 Rt	32			46	5226010001-7	Regulating Seed Divider	2		
14	5024010428-5	Stainless Smooth Washer Of Ø10,50 X Ø40 X 2,50mm		38	20	47	6020310054-2	Hexagonal Head Bolt 3/8" X 1" 16F Unc1A Gr2 Rt	8		
15	6020310885-3	Hexagonal Head Bolt Inox 1/2" X 1.1/4" 12FW Rt	12			48	6020055339-2	Plastic Box For Fertilizer Inteirica 4000 Without Cover		1	
16	5530014872-6	Support Of Seed Hopper Plastic Box	2			48	6020071638-0	Plastic Box For Fertilizer Inteirica 5000 Without Cover			1
16	5530014809-2	Support Of Seed Hopper Plastic Box			2	49	6020390930-9	Plastic Cover Of Fertilizer/Seed Hopper 4000	2		
17	6020310884-5	Hexagonal Head Bolt Inox 5/16" X 1.1/4" 18F Unc2A Rt	12			49	6020390915-5	Plastic Cover Of Fertilizer/Seed Hopper 5000			2
18	6020310767-9	Brass Hexagonal Nut 5/16" 18F Unc Ch.1/2" H.6,50mm		84	100	50	6020055341-4	Plastic Box For Seed Inteirica 4000 Without Cover	1		
19	6020310746-6	Hexagonal Nut 3/8" 16F Unc Gr5 Ch.9/16" Height 8,50mm	32			50	6020071636-4	Plastic Box For Seed Inteirica 5000 Without Cover			1
20	6020310883-7	Hexagonal Head Bolt Inox 5/16" X 1" 18F Unc2A Rt		72	88	51	6020390930-9	Plastic Cover Of Fertilizer/Seed Hopper 4000	2		
21	6020010406-7	Pressure Washer 3/8" Media Industry	40			51	6020390915-5	Plastic Cover Of Fertilizer/Seed Hopper 5000			2
22	5538130001-2	Cover Of Seed Distributor		20	24	52	6020050381-6	Fertilizer Conductor		20	24
23	6020050101-5	Cotterpin 1/8" X 1"		40	48	53	6020030084-2	Bushing Ø50 X 35mm Large		20	24
24	6020250252-3	Helical Spring Ø23 X Ø28 X 24mm		10	24	54	6020030083-4	Bushing Ø52 X 27mm Small		20	24
25	6020310766-0	Brass Hexagonal Nut 1/4" 20F Unc Ch.7/16" H.5,50mm		88	104	55	5080010286-0	Large Bushing Of Conductor Of Fertilizer		20	24
26	6020310754-7	Hexagonal Nut 1/2" 12F W Gr5 Ch.7/8" Height 12,00mm	12			56	5080010285-2	Small Bushing Of Fertilizer Conductor		20	24
27	5024010083-2	Smooth Washer Sq.17 X Ø43 X 3,00mm		40	48	57	5232010526-9	Shaft Sq.5/8" X 295mm Fertilizer		20	24
28	6020010435-0	Pressure Washer Inox 1/2" Media	12			58	5428010019-9	Pinion Of 18 Teeth		20	24
29	6020310892-6	Hexagonal Head Bolt Inox 3/8" X 1.1/4" 16F Unc2A Rt		26	28	59	5106010066-0	Fertilizer Cover		20	24
30	5024010161-8	Smooth Washer Ø7 X Ø18 X 2,00mm		14	14	60	5024010341-6	Special Washer The Plastic Box		20	24
31	6020311002-5	Hexagonal Head Bolt 1/4" X 3/4" 20F Unc1A Gr2 Rt		74	90	61	6020310539-0	Heavy Elastic Pin Ø3 X 36mm		40	48
32	6020310895-0	Hexagonal Head Bolt Inox 3/8" X 1.1/2" 16F Unc2A Rt	4			62	6020130114-1	Grease Fitting 1/8"		20	24
33	5092100010-0	Complete Seed Distributor Box Inclined Rotor		20	24	63	6020130116-8	Grease Fitting 1/8"		20	24
34	6020311004-1	Hexagonal Head Bolt 1/4" X 7/8" 20F Unc1A Gr5 Rt		2	2	64	5092010164-7	Transmission Box		20	24

• Table Hopper SPD 4000/5000 (Plastic Box)

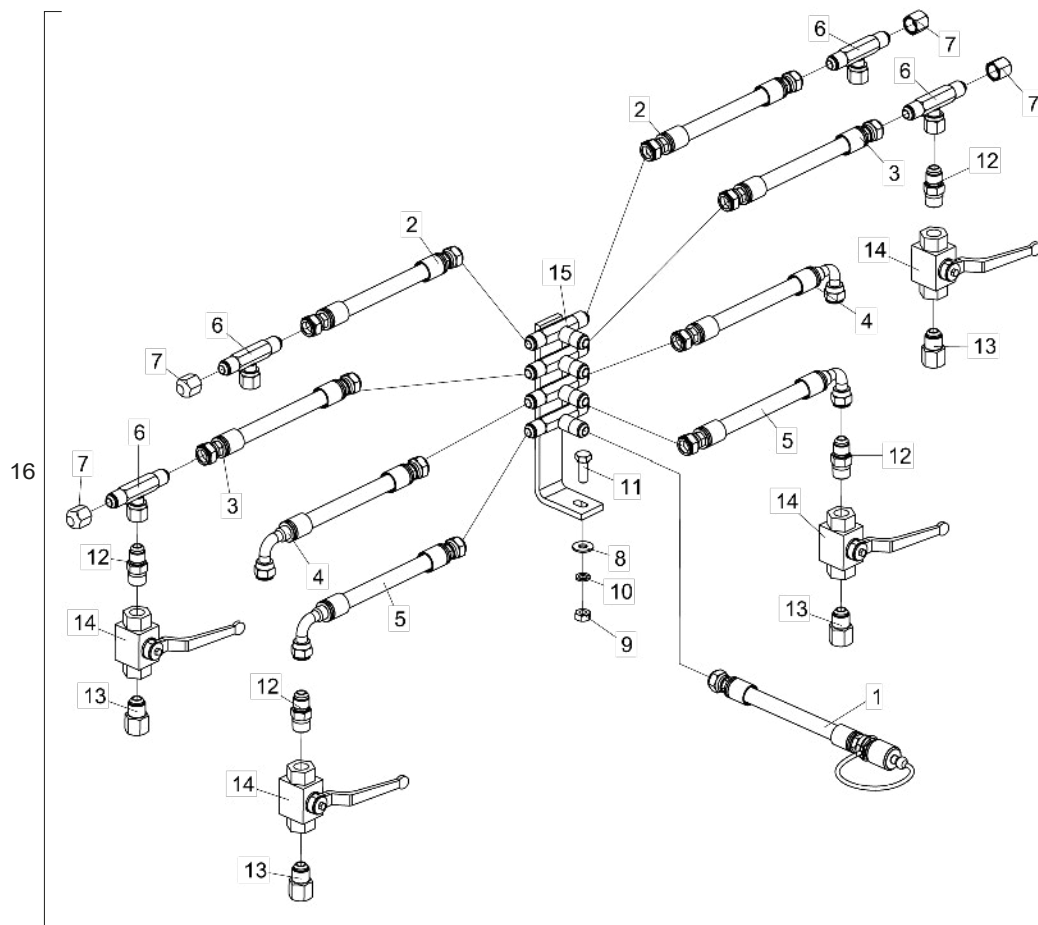
Item	Code	Product description	All		Item	Code	Product description	All	
			SPD 4000	SPD 5000				SPD 4000	SPD 5000
65	5428010018-0	Pinion Of 16 Teeth	20	24	102	5480030001-3	Seed Register	20	24
66	5024010057-3	Smooth Washer Ø29,5 X Ø41 X 1,21mm	20	24	103	5024010344-0	Special Washer Ø56 X Ø71 X 6,30mm Helicoidal Rotor Guide	20	24
67	6020010043-6	O Ring 2-214 N3006-90Nbr (24,99)	40	48	104	6020010298-6	Anel Ø62,6 X Ø71,5 X 2,7mm	20	24
68	5400010113-6	Right Spiral Spring Sq.17,5 X 175 X 7,93mm (Pace 25,4mm)	10	12	105	6020010290-0	Retaining Ring I-72	20	24
68	5400010114-4	Left Spiral Spring Sq.17,5 X 175 X 7,93mm (Pace 25,4mm)	10	12	106	5432090053-3	Flat Pin Ø3 X 58mm	20	24
69	5024010342-4	Smooth Washer Sq.16,5 X Ø46 X 1,50mm	60	72	107	5080120001-7	Bushing Rotor W/Hole	20	24
70	6020310884-5	Hexagonal Head Bolt Inox 5/16" X 1.1/4" 18F Unc2A Rt	80	96	108	5518010003-1	Helicoidal Rotor	20	24
71	6020010434-2	Pressure Washer Inox 5/16" Media	80	96	109	5150010129-0	Complete Fertilizer Conductor (SPD)	1	
72	6020310767-9	Brass Hexagonal Nut 5/16" 18F Unc Ch.1/2" H.6,50mm	80	96	110	6020250111-0	Rubber Tube Ø38 X Ø50,8 X 400mm	1	
73	6020130108-7	Grease Fitting 1/8"	20	24	111	6020250322-8	Lock Spring	1	
74	6020350013-3	Bearing 6007-2Rs	4		112	6020030672-7	Distributor Funnel 425mm	1	
75	5080020057-9	Bushing Of Ø35 X Ø45 X 17mm	2		113	5538010244-6	Complete Large Tube (Plastic Box)	1	
76	5080020112-5	Bushing Of Ø14 X Ø19 X 28mmmm	2		114	6020010101-4	Seed Conductor Cover	1	
77	5256030029-8	Gear 9 Teeth	2		115	6020010924-7	Cover Stics	1	
78	5558100005-6	Lock	2		116	6020390815-9	Fertilizer Funnel Cover	1	
79	6020010266-8	Retaining Oring	2		117	5538010183-0	Complete Small Cover	1	
80	6020350255-1	Retainer Ø35,00 X Ø47,00 X 10,00mm	2		118	6020010921-2	Cover Stics 112X68 mm	1	
81	6020390301-7	Lock Ø5,75 X 50mm	2		119	6020390439-0	Cunette Cover	1	
82	6020311040-8	Hexagonal Head Bolt 7/16" X 2" 14F Unc1A Gr5 Rp	2		120	5208012371-0	Complete Right Fertilizer And Seed Hopper SPD Plastic Box 4000	1	
83	5204010135-7	Right Fertilizer Shaft Hub	1		120	5208012376-0	Complete Right Fertilizer And Seed Hopper SPD Plastic Box 5000		1
83	5204010201-9	Left Hub Of Fertilizer Shaft	1		121	5208012373-6	Complete Left Fertilizer And Seed Hopper SPD Plastic Box 4000	1	
84	5204010419-4	Gear Fixation Hub (Shaft 5/8")	2		121	5208012378-7	Complete Left Fertilizer And Seed Hopper SPD Plastic Box 5000		1
85	5204070004-8	Large Hub Of Seed Shaft	2		122	5208012370-1	Complete Fertilizer And Seed Hopper SPD Plastic Box 4000(Conductor	1	
86	5256030005-0	Gear 19 Teeth With Central Hole Ø65mm	2		122	5208012375-2	Complete Fertilizer And Seed Hopper SPD Plastic Box 5000(Conductor		1
87	5204010339-2	Seed Shaft Hub Square Hole 16,8mm SPD/Sd/Sa-3000	2				Optional		
88	6020310883-7	Hexagonal Head Bolt Inox 5/16" X 1" 18F Unc2A Rt	6		123	5400010111-0	Right Spiral Spring Sq.17,5 X 175 X 7,93mm (Pace 19,05mm)	1	
89	6020010434-2	Pressure Washer Inox 5/16" Media	6		123	5400010112-8	Left Spiral Spring Sq.17,5 X 175 X 7,93mm (Pace 19,05mm)	1	
90	6020310767-9	Brass Hexagonal Nut 5/16" 18F Unc Ch.1/2" H.6,50mm	6						
91	6020130108-7	Grease Fitting 1/8"	2						
92	5080020118-4	Bushing Of Ø14 X Ø19 X 20,5mm	2						
93	6020010408-3	Pressure Washer 7/16" Media Industry	2						
94	6020311040-8	Hexagonal Head Bolt 7/16" X 2" 14F Unc1A Gr5 Rp	2						
95	5080011185-1	Bushing	2						
95	5080010876-1	Bushing	2						
96	5024010162-6	Smooth Washer Ø13 X Ø26 X 2,00mm	4						
97	6020350075-3	Bearing 6005 2Rs	2						
98	6020011053-9	Retaining Ring I-047	2						
99	6020050101-5	Cotterpin 1/8" X 1"	2						
100	5368010615-7	Bearing Of Adjustment Handle	2						
101	5092010319-4	Spare Seed Distributor Box	20	24					

• Hydraulic System W/Distributor for Simple Control Without Row Marker



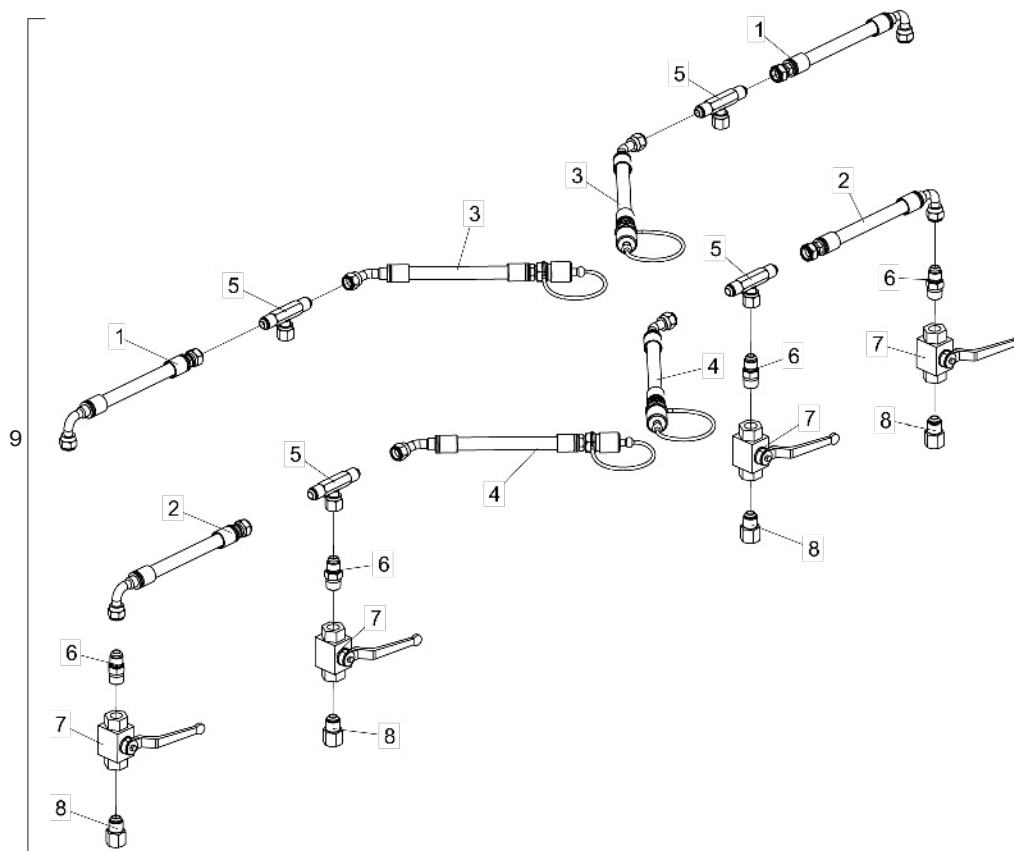
Item	Code	Product description	All	SPD 3000	SPD 4000	SPD 5000
1	5372011092-6	Hose Ø3/8" X 3000mm With 1Trg And 1Trf With Male Quickly Coupling	2			
2	6020250942-0	High Pressure Hydraulic Hose 3/8" X 950mm With 1Tcg 90° And 1Trg (Sae 100R2 At -		2		
2	6020250913-7	High Pressure Hydraulic Hose 3/8" X 1300mm With 1Tcg And 1Trg (Sae 100R2 At -			2	
2	6020251004-6	High Pressure Hydraulic Hose 3/8" X 1600mm With 1Tcg And 1Trg (Sae 100R2 At -				2
3	6020251013-5	High Pressure Hydraulic Hose 3/8" X 900mm With 1Tcg And 1Trg (Sae 100R2 At - P.T.4800Psi)	2			
3	6020250970-6	High Pressure Hydraulic Hose 3/8" X 1200mm With 1Tcg And 1Trg (Sae 100R2 At -			2	
3	6020250915-3	High Pressure Hydraulic Hose 3/8" X 1500mm With 1Tcg And 1Trg (Sae 100R2 At -				2
4	6020250983-8	High Pressure Hydraulic Hose 3/8" X 900mm With 2Trg (Sae 100R2 At - P.T.4800Psi)	2			
4	6020250754-1	High Pressure Hydraulic Hose 3/8" X 1150mm With 2Trg (Sae 100R2 At - P.T.4800Psi)			2	2
5	6020250794-0	High Pressure Hydraulic Hose 3/8" X 800mm With 2Trg (Sae 100R2 At - P.T.4800Psi)		2		
5	6020250755-0	High Pressure Hydraulic Hose 3/8" X 1050mm With 2Trg (Sae 100R2 At - P.T.4800Psi)			2	2
6	5412050020-4	"T" Nipple	4			
7	5412010104-0	Nipple R.1/2"(G) X 3/4" Unf X 45mm With Hexagonal 1"	4			
8	5412010099-0	Nipple R.1/2" Npt X R.3/4" Unf X 50mm With Hexagonal 7/8"	4			
9	5224010022-3	Oil Distributor	1			
10	6020430194-0	Sphere Valve 1/2" Npt Stauff-Bbvm20080200M / Gemels 1111Ab-	4			
11	6020310746-6	Hexagonal Nut 3/8" 16F Unc Gr5 Ch.9/16" Height 8,50mm		1		
11	6020310822-5	Hexagonal Nut M10 X 1,50 Ma Cl8 Ch.17mm H.8,00mm			1	1
12	6020010406-7	Pressure Washer 3/8" Media Industry		1		
12	6020010394-0	Pressure Washer M10 Media			1	1
13	6020310026-7	Hexagonal Head Bolt 3/8" X 1.1/4" 16F Unc1A Gr5 Rt		1		
13	6020317475-9	Hexagonal Head Bolt M10 X 1,50 X 30mm Cl8.8 Rt			1	1
14	5024010075-1	Smooth Washer Ø10,3 X Ø25 X 2,00mm	2			
15	5528010151-5	Hydraulic System SPD-3000 W/Distributor For Simple Command (Without Marker De		1		
15	5528010153-1	Hydraulic System SPD-4000 W/Distributor For Simple Command (Without Marker De			1	
15	5528010157-4	Hydraulic System SPD-5000 W/Distributor For Simple Command (Without Marker De				1

• Hydraulic System W/Distributor for Double Control Without Row Marker



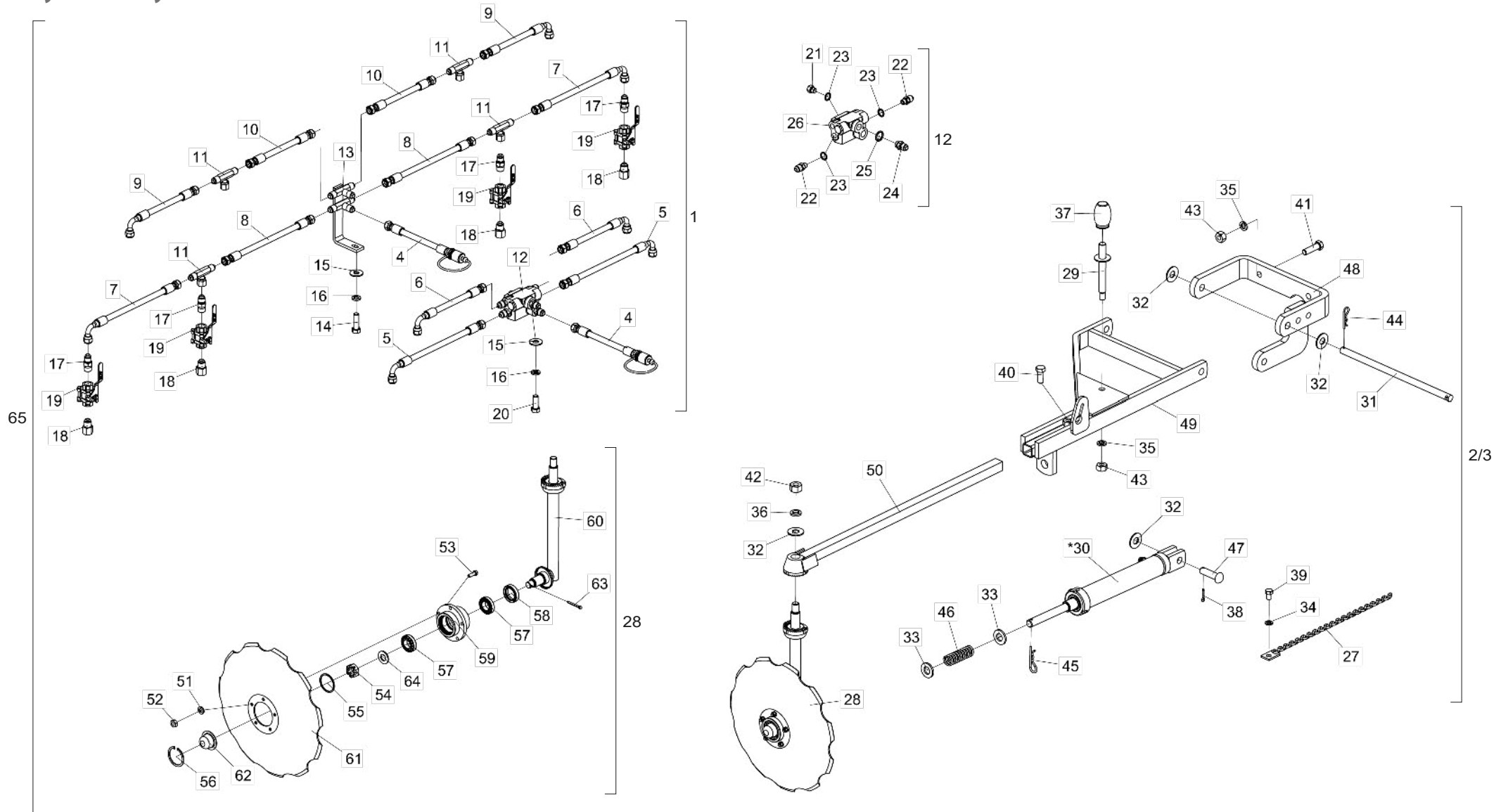
Item	Code	Product description	All	SPD 3000	SPD 4000	SPD 5000
1	5372011092-6	Hose Ø3/8" X 3000mm With 1Trg And 1Trf With Male Quickly Coupling	4			
2	6020250794-0	High Pressure Hydraulic Hose 3/8" X 800mm With 2Trg (Sae 100R2 At - P.T.4800Psi)		2		
2	6020250755-0	High Pressure Hydraulic Hose 3/8" X 1050mm With 2Trg (Sae 100R2 At - P.T.4800Psi)			2	2
3	6020250794-0	High Pressure Hydraulic Hose 3/8" X 800mm With 2Trg (Sae 100R2 At - P.T.4800Psi)		2		
3	6020250754-1	High Pressure Hydraulic Hose 3/8" X 1150mm With 2Trg (Sae 100R2 At - P.T.4800Psi)			2	2
4	6020250936-6	High Pressure Hydraulic Hose 3/8" X 1800mm With 1Tcg And 1Trg (Sae 100R2 At -		2		
4	6020250964-1	High Pressure Hydraulic Hose 3/8" X 2200mm With 1Tcg And 1Trg (Sae 100R2 At -			2	
4	6020251001-1	High Pressure Hydraulic Hose 3/8" X 2500mm With 1Tcg And 1Trg (Sae 100R2 At -				2
5	6020250915-3	High Pressure Hydraulic Hose 3/8" X 1500mm With 1Tcg And 1Trg (Sae 100R2 At -		2		
5	6020250936-6	High Pressure Hydraulic Hose 3/8" X 1800mm With 1Tcg And 1Trg (Sae 100R2 At -			2	
5	6020250964-1	High Pressure Hydraulic Hose 3/8" X 2200mm With 1Tcg And 1Trg (Sae 100R2 At -				2
6	5412050020-4	"T" Nipple	4			
7	5538010158-0	Cover Of Nipple R.3/4" Unf	4			
8	5024010075-1	Smooth Washer Ø10,3 X Ø25 X 2,00mm	1			
9	6020310822-5	Hexagonal Nut M10 X 1,50 Ma Cl8 Ch.17mm H.8,00mm	1			
10	6020010394-0	Pressure Washer M10 Media	1			
11	6020317475-9	Hexagonal Head Bolt M10 X 1,50 X 30mm Cl8.8 Rt	1			
12	5412010099-0	Nipple R.1/2" Npt X R.3/4" Unf X 50mm With Hexagonal 7/8"	4			
13	5412010104-0	Nipple R.1/2"(G) X 3/4" Unf X 45mm With Hexagonal 1"	4			
14	6020430194-0	Sphere Valve 1/2" Npt Stauff-Bbvm20080200M / Gemels 1111Ab-	4			
15	5224010100-9	Oil Distributor	1			
16	5528010158-2	Hydraulic System SPD-3000 W/Distributor For Double Command (Without Marker De		1		
16	5528010159-0	Hydraulic System SPD-4000 W/Distributor For Double Command (Without Marker De			1	
16	5528010160-4	Hydraulic System SPD-5000 W/Distributor For Double Command (Without Marker De				1

• Hydraulic System Without Distributor for Simple Control Without Row Marker



Item	Code	Product description	All	SPD 3000	SPD 4000	SPD 5000
1	6020250942-0	High Pressure Hydraulic Hose 3/8" X 950mm With 1Tcg 90° And 1Trg (Sae 100R2 At -		2		
1	6020250913-7	High Pressure Hydraulic Hose 3/8" X 1300mm With 1Tcg And 1Trg (Sae 100R2 At -			2	
1	6020251004-6	High Pressure Hydraulic Hose 3/8" X 1600mm With 1Tcg And 1Trg (Sae 100R2 At -				2
2	6020251013-5	High Pressure Hydraulic Hose 3/8" X 900mm With 1Tcg And 1Trg (Sae 100R2 At - P.T.4800Psi)		2		
2	6020250970-6	High Pressure Hydraulic Hose 3/8" X 1200mm With 1Tcg And 1Trg (Sae 100R2 At -			2	
2	6020250915-3	High Pressure Hydraulic Hose 3/8" X 1500mm With 1Tcg And 1Trg (Sae 100R2 At -				2
3	5372011024-1	Hose Ø3/8" X 3300mm With 1Tcg 45° And 1Trf With Male Quickly Coupling	2			
4	5372011023-3	Hose Ø3/8" X 3000mm With 1Tcg 45° And 1Trf With Male Quickly Coupling	2			
5	5412050020-4	"T" Nipple	4			
6	5412010099-0	Nipple R.1/2" Npt X R.3/4" Unf X 50mm With Hexagonal 7/8"	4			
7	6020430194-0	Sphere Valve 1/2" Npt Stauff: Bbvm20080200M / Gemels 1111Ab-	4			
8	5412010104-0	Nipple R.1/2"(G) X 3/4" Unf X 45mm With Hexagonal 1"	4			
9	5528010150-7	Hydraulic System SPD-3000 (Without Distributor For Double Command (Without Marker De		1		
9	5528010154-0	Hydraulic System SPD-4000 (Without Distributor For Double Command (Without Marker De			1	
9	5528010155-8	Hydraulic System SPD-5000 (Without Distributor For Double Command (Without Marker De				1

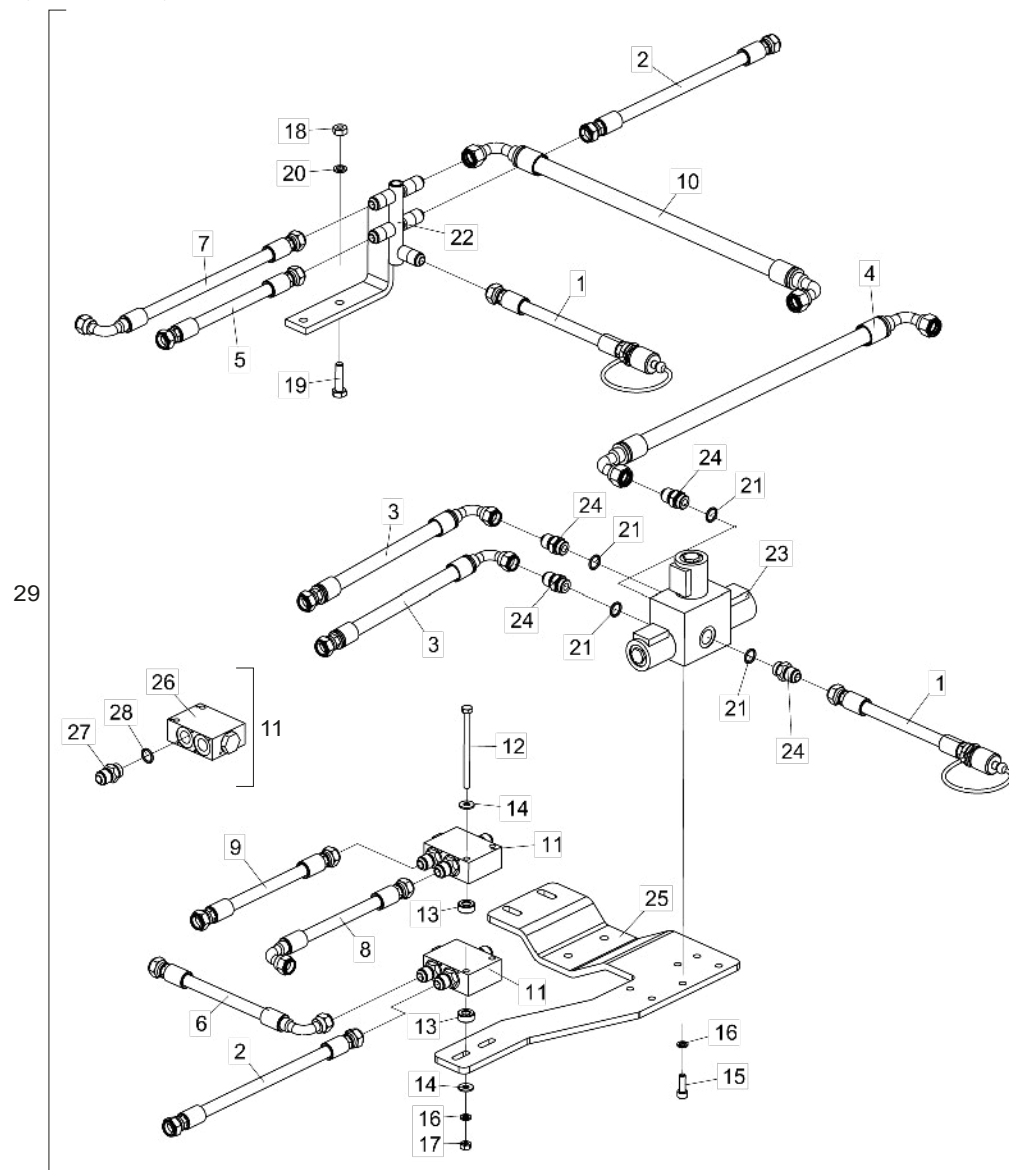
• Hydraulic System W/Row Marker



• Table Hydraulic System W/Row Marker

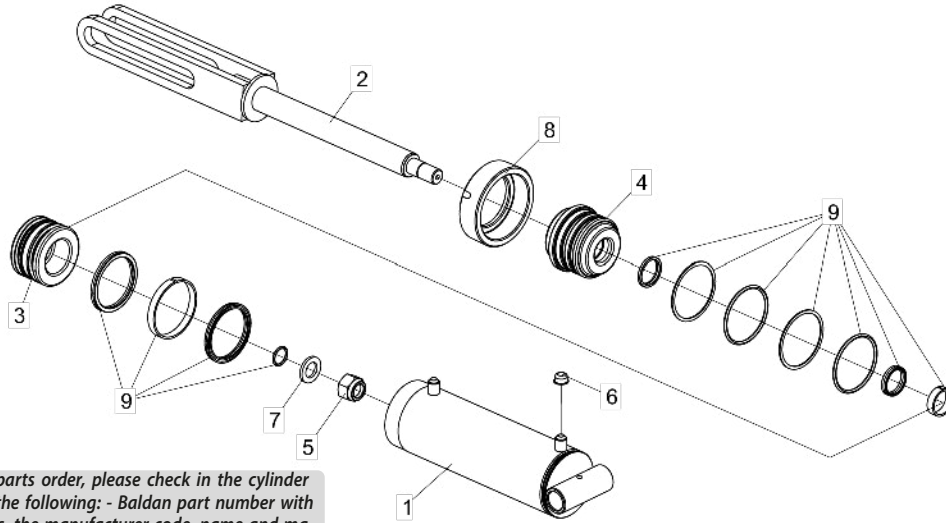
Item	Code	Product description	All	SPD 3000	SPD 4000	SPD 5000	Item	Code	Product description	All	SPD 3000	SPD 4000	SPD 5000
1	5528010149-3	Hydraulic System SPD-3000 W/Distributor W/Valvula For Double Command		1			34	6020010410-5	Pressure Washer 1/2" Media Industry	2			
1	5528010152-3	Hydraulic System SPD-4000 W/Distributor W/Valvula For Double Command			1		35	6020010412-1	Pressure Washer 5/8" Media Industry	6			
1	5528010156-6	Hydraulic System SPD-5000 W/Distributor W/Valvula For Double Command				1	36	6020010414-8	Pressure Washer 3/4" Media Industry	2			
2	5386010110-2	Row Marker		1	1		37	6020030170-9	Absorver Shock	2			
2	5386010179-0	Complete Row Marker SPE 4000				1	38	6020050113-9	Cotterpin 1/4" X 1.1/4"				1
3	5386010111-0	Row Marker		1	1		38	6020050104-0	Cotterpin 3/16" X 1"		2	2	1
3	5386010180-3	Complete Row Marker SPE 4000				1	39	6020311046-7	Hexagonal Head Bolt 1/2" X 3/4" 12F W Gr2 Rt	2			
4	5372011092-6	Hose Ø3/8" X 3000mm With 1Trg And 1Trf With Male Quickly Coupling	4				40	6020312082-9	Hexagonal Head Bolt 5/8" X 1.1/2" 11F Unc1A Gr5 Rt	2			
5	6020250962-5	High Pressure Hydraulic Hose 3/8" X 2900mm With 1Tcg And 1Trg (Sae 100R2 At -		2			41	6020311075-0	Hexagonal Head Bolt 5/8" X 2.1/4" 11F Unc1A Gr5 Rp	4			
5	6020250918-8	High Pressure Hydraulic Hose 3/8" X 3200mm With 1Tcg 90° And 1Trg (Sae 100R2 At -			2		42	6020310770-9	Hexagonal Nut 3/4" 10F Unc Gr5 Ch.1.7/32" Height 18,50mm	2			
5	6020250875-0	High Pressure Hydraulic Hose 3/8" X 3500mm With 1Tcg 90° And 1Trg (Sae 100R2 At -			2	2	43	6020310760-1	Hexagonal Nut 5/8" 11F Unc Gr5 Ch.1.1/16" Height 15,00mm	6			
6	6020250892-0	High Pressure Hydraulic Hose 3/8" X 2700mm With 1Tcg 90° And 1Trg (Sae 100R2 At -		2			44	6020390294-0	Lock Nma - Type "R" Ø3,5 X 67mm(Special)	2			
6	6020250962-5	High Pressure Hydraulic Hose 3/8" X 2900mm With 1Tcg And 1Trg (Sae 100R2 At -			2		45	6020390308-4	Lock Nma - Type "R" Ø4,5 X 80mm	2			
6	6020250918-8	High Pressure Hydraulic Hose 3/8" X 3200mm With 1Tcg 90° And 1Trg (Sae 100R2 At -			2	2	46	6020250242-6	Helical Spring Ø23,5 X Ø31,5 X 100mm Internal	2			
7	6020250942-0	High Pressure Hydraulic Hose 3/8" X 950mm With 1Tcg 90° And 1Trg (Sae 100R2 At -		2			47	5432120023-3	French Head Pin Ø3/4" X 62mm	2			
7	6020250970-6	High Pressure Hydraulic Hose 3/8" X 1200mm With 1Tcg And 1Trg (Sae 100R2 At -			2		48	5530010190-8	Fixation Right Support Of Row Marker	1			
7	6020250915-3	High Pressure Hydraulic Hose 3/8" X 1500mm With 1Tcg And 1Trg (Sae 100R2 At -			2	2	48	5530010189-4	Fixation Left Support Of Marker De Linha	1			
8	6020250983-8	High Pressure Hydraulic Hose 3/8" X 900mm With 2Trg (Sae 100R2 At - P.T.4800Psi)		2			49	5036010079-8	Mechaniw/Hydraulic Small Right Row Marker		1	1	
8	6020250754-1	High Pressure Hydraulic Hose 3/8" X 1150mm With 2Trg (Sae 100R2 At - P.T.4800Psi)		2	2		49	5036010080-1	Mechaniw/Hydraulic Small Left Row Marker		1	1	
9	6020250942-0	High Pressure Hydraulic Hose 3/8" X 950mm With 1Tcg 90° And 1Trg (Sae 100R2 At -		2			49	5036010090-9	Mechaniw/Hydraulic Large Right Row Marker				1
9	6020250913-7	High Pressure Hydraulic Hose 3/8" X 1300mm With 1Tcg And 1Trg (Sae 100R2 At -			2		49	5036010091-7	Mechaniw/Hydraulic Large Left Row Marker				1
9	6020251004-6	High Pressure Hydraulic Hose 3/8" X 1600mm With 1Tcg And 1Trg (Sae 100R2 At -			2		50	5386010184-6	Complete Row Marker SPE 4000	2			
10	6020250794-0	High Pressure Hydraulic Hose 3/8" X 800mm With 2Trg (Sae 100R2 At - P.T.4800Psi)		2			51	6020010404-0	Pressure Washer 5/16" Media Industry	10			
10	6020250755-0	High Pressure Hydraulic Hose 3/8" X 1050mm With 2Trg (Sae 100R2 At - P.T.4800Psi)			2	2	52	6020310744-0	Hexagonal Nut 5/16" 18F Unc Gr5 Ch.1/2" Height 6,50mm	10			
11	5412050020-4	"T" Nipple	4				53	6020310038-0	Hexagonal Head Bolt 5/16" X 1" 18F Unc1A Gr5 Rt	10			
12	5224010016-9	Complete Oil Distributor With 6 Nipples	1				54	6020310797-0	Nut 3/4" 16F Unf Gr5 Ch.1.1/16" Height 13,00mm	2			
13	5224010022-3	Oil Distributor	1				55	6020010130-0	Gascket Ring Ø50 X Ø57 X 2mm	2			
14	6020310026-7	Hexagonal Head Bolt 3/8" X 1.1/4" 16F Unc1A Gr5 Rt	1				56	6020011025-3	Retaining Ring I-058	2			
15	5024010075-1	Smooth Washer Ø10,3 X Ø25 X 2,00mm	2				57	6020350077-0	Bearing 44610/49	4			
16	6020010406-7	Pressure Washer 3/8" Media Industry	2				58	6020350268-3	Retainer Ø36,00 X Ø52,00 X 11,00mm	2			
17	5412010099-0	Nipple R.1/2" Npt X R.3/4" Unf X 50mm With Hexagonal 7/8"	4				59	5204010247-7	Disc Hub	2			
18	5412010104-0	Nipple R.1/2"(G) X 3/4" Unf X 45mm With Hexagonal 1"	4				60	5386010140-4	Row Marker	2			
19	6020430194-0	Sphere Valve 1/2" Npt Stauff:Bbvm20080200M / Gemels 1111Ab-	4				61	2759366580-7	Concave Notched Disc Blade 16 X 3,50 Hc Rd 74mm + 5H Rd 8,7mm R=48mm Single Bevel	2			
20	6020310021-6	Hexagonal Head Bolt 3/8" X 1" 16F Unc1A Gr5 Rt	1				62	6020050649-1	Hub Cap (External Diameter 57,00mm)	2			
21	5081010006-8	Plug Ø9/16" X 22mm	2				63	6020050101-5	Cotterpin 1/8" X 1"	2			
22	5412010008-7	Nipple R.3/4" Unf X R.9/16" Unf X 40mm With Hexagonal 3/4"	4				64	5024010258-4	Smooth Washer Ø20 X Ø38,5 X 3,00mm	2			
23	6020010025-8	O`Ring 6-Ø91 N3006-90Nbr(Ø12,00 X 2,00mm)	6				65	5528010342-9	Hydraulic System SPD-3000 W/Complete Row Marker		1		
24	5412010035-4	Nipple R.3/4" Unf X R.3/4" Unf X 38mm With Hexagonal 7/8"	2				65	5528010343-7	Hydraulic System SPD-4000 W/Complete Row Marker			1	
25	6020010022-3	O`Ring 2-114 N3006-90Nbr (15,54)	2				65	5528010344-5	Hydraulic System SPD-5000 W/Complete Row Marker				1
26	6020430196-7	Valve Block	1										
27	5192010046-9	Complete Chain De Ø5,5mm 510mm Cpl	2										
28	5386010137-4	Row Marker	2										
29	5530130038-6	Complete Support Ø3/4" X 180mm	2										
*30	6020055702-9	Hydraulic Cylinder "O.D" Ø1.1/4" X Ø2" X 246mm(Course) X 499mm(Closed)	2										
31	5432130023-8	Pin Ø3/4" X 414mm	2										
32	5024010142-1	Smooth Washer Ø20,3 X Ø46,5 X 3,00mm	8										
33	5024010001-8	Smooth Washer Ø23,5 X Ø44,5 X 4,75mm	4										

• Hydraulic System for Lateral Transport (Optional for SPD-5000)



Item	Code	Product description	All
1	5372011026-8	Hose Ø3/8" X 5500mm With 1Trg And 1Trf With Male Quickly Coupling	2
2	6020250794-0	High Pressure Hydraulic Hose 3/8" X 800mm With 2Trg (Sae 100R2 At - P.T.4800Psi)	2
3	6020251015-1	High Pressure Hydraulic Hose 3/8" X 250mm With 1Tcg And 1Trg (Sae 100R2 At - P.T.4800Psi)	2
4	6020250795-9	High Pressure Hydraulic Hose 3/8" X 1300mm With 2Tcg (Sae 100R2 At - P.T.4800Psi)	1
5	6020250755-0	High Pressure Hydraulic Hose 3/8" X 1050mm With 2Trg (Sae 100R2 At - P.T.4800Psi)	1
6	6020250915-3	High Pressure Hydraulic Hose 3/8" X 1500mm With 1Tcg And 1Trg (Sae 100R2 At -	1
7	6020250796-7	High Pressure Hydraulic Hose 3/8" X 2000mm With 1Tcg And 1Trg (Sae 100R2 At -	1
8	6020250791-6	High Pressure Hydraulic Hose 3/8" X 5200mm With 1Tcg And 1Trg (Sae 100R2 At -	1
9	6020250793-2	High Pressure Hydraulic Hose 3/8" X 1500mm With 2Trg (Sae 100R2 At - P.T.4800Psi)	1
10	6020251037-2	High Pressure Hydraulic Hose 3/8" X 1600mm With 2Tcg (Sae 100R2 At - P.T.4800Psi)	1
11	5224010106-8	Oil Distributor	2
12	6020310562-5	Hexagonal Head Bolt M8 X 1,25 X 115mm Cl8.8 Rp	2
13	5080010358-1	Bushing Of Ø10,3 X Ø7/8" X 10mm	4
14	5024010073-5	Smooth Washer Ø8,5 X Ø20 X 2,00mm	4
15	6020310117-4	Allen Bolt C/C M8 X 1,25 X 25mm Cl12.9 Rt (Phosphated)	3
16	6020010004-5	Pressure Washer M8 Media	5
17	6020310454-8	Hexagonal Nut M8 X 1,25 Ma Cl8 Ch.13mm H.6,50mm	2
18	6020310822-5	Hexagonal Nut M10 X 1,50 Ma Cl8 Ch.17mm H.8,00mm	2
19	6020310980-9	Hexagonal Head Bolt M10 X 1,50 X 40mm Cl8.8 Rt	2
20	6020010394-0	Pressure Washer M10 Media	2
21	6020010022-3	O' Ring 2-114 N3006-90Nbr (15,54)	4
22	5226010013-0	Oil Divider.	1
23	6020430219-0	Command Valve Hfb030913	1
24	5412010035-4	Nipple R.3/4" Unf X R.3/4" Unf X 38mm With Hexagonal 7/8"	4
25	5530010696-9	Support Of Valve Of Simplete Commmand Hydraulic System	1
26	5412010035-4	Nipple R.3/4" Unf X R.3/4" Unf X 38mm With Hexagonal 7/8"	6
27	6020010022-3	O' Ring 2-114 N3006-90Nbr (15,54)	6
28	6020430204-1	Flow Divider Valve Hfb030731 - Hydraulic Designer	2
29	5528010166-3	Lateral Transport Hydraulic System (Special) SPD-5001	1

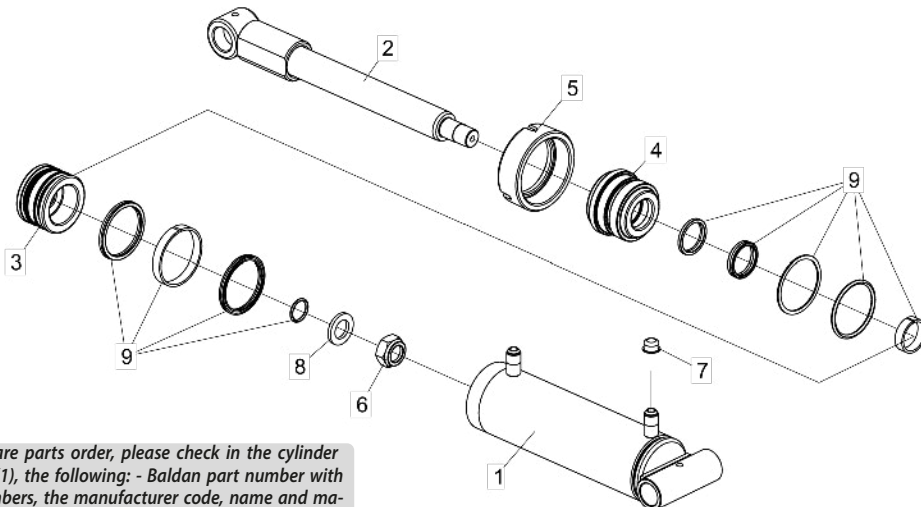
• Cylinder of Tyres Lifting



For spare parts order, please check in the cylinder jacket (1), the following: - Baldan part number with 11 numbers, the manufacturer code, name and manufacturer date.

Item	Code	Product description	All
1	5144010280-1	Cylinder Of Piston 0101,3 X 0115 X 350mm Complete	1
2	5326020254-1	Piston Rod Ø41,27 (1.5/8") x 458mm	1
3	5236010006-5	Piston Plung Ø26,72 X Ø100 X 60mm	1
4	5152010006-0	Piston Coupling	1
5	6020310804-7	Self-Locking Nut With Nylon 1" 14F Uns Gr5 Ch.1.1/2" H.28,50mm	1
6	6020390042-5	Plastic Cover Bt-21	2
7	5024010323-8	Smooth Washer Ø27 X Ø44,5 X 4,75mm	1
8	5456050010-9	Nut Ø4.1/2" 12F (Piston)	1
9	6020190068-1	Repair Kit For Hydraulic Cylinders "D.A" 1.5/8" X 4"	1

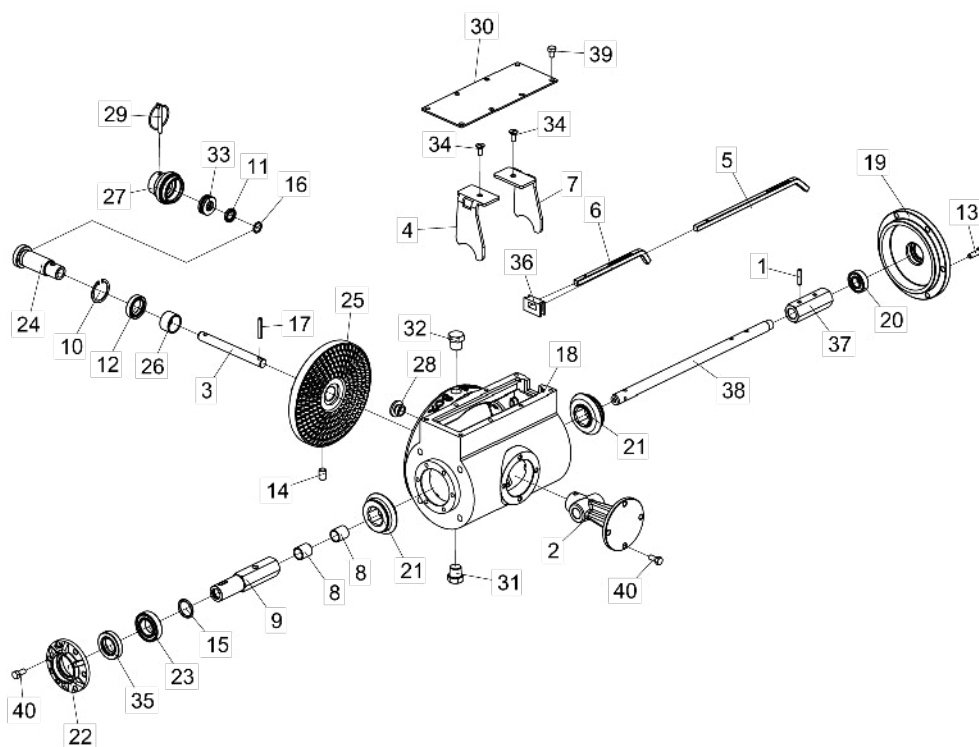
• Cylinder of Rows Drive



For spare parts order, please check in the cylinder jacket (1), the following: - Baldan part number with 11 numbers, the manufacturer code, name and manufacturer date.

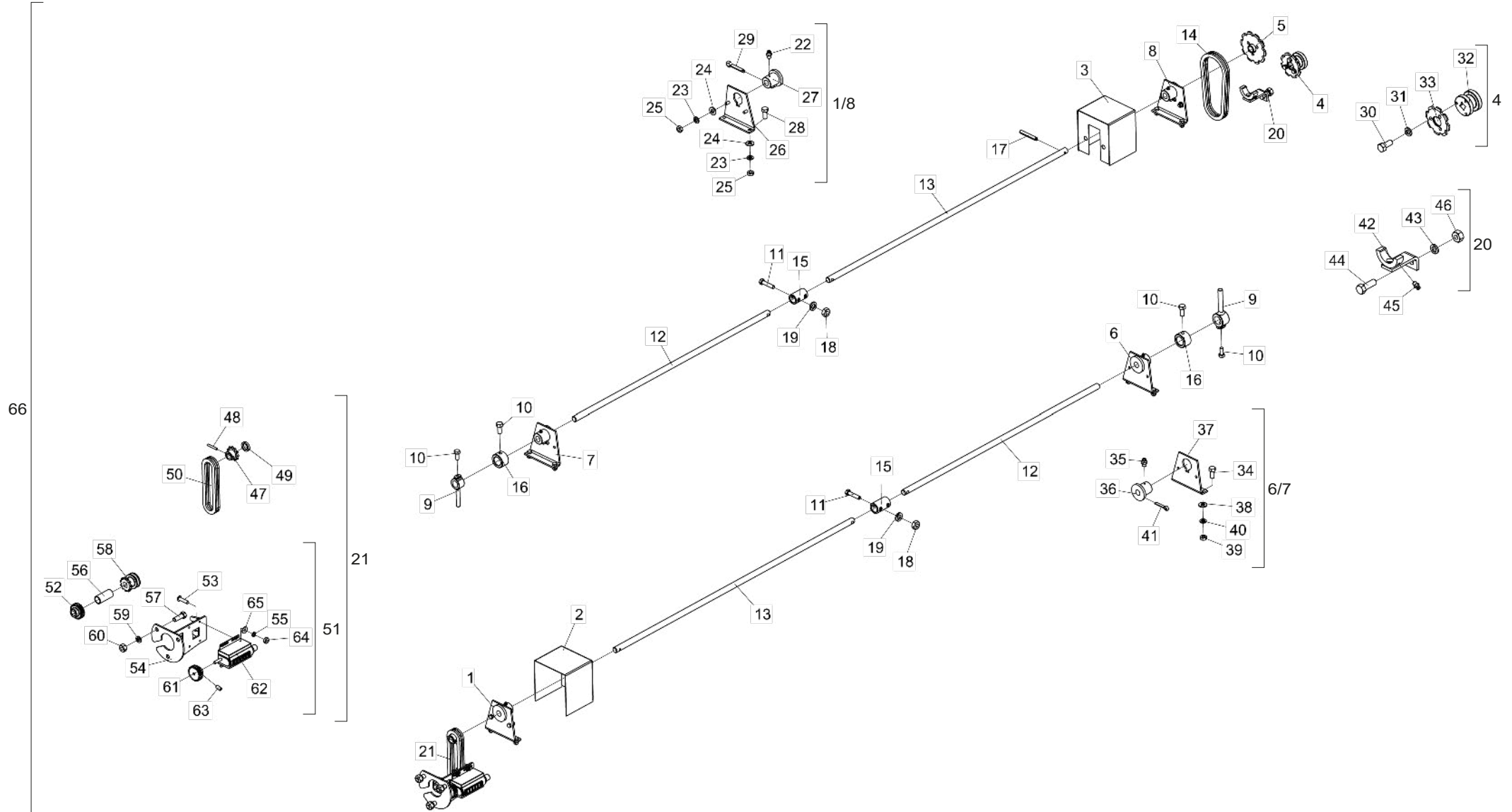
Item	Code	Product description	All
1	5144010284-4	Jacket Ø82.6 x Ø95.1 x 349mm	1
2	5326020233-9	Piston Rod Ø41,27 (1.5/8")x 389.5mm	1
3	5236010012-0	Piston Plung Ø26,72 x Ø81,95 x 50mm	1
4	5152010014-1	Piston Coupling Ø41,70 x 90,5 x 66mm	1
5	5456050003-6	Nut Ø3.3/4" - 12fpp	1
6	6020310814-4	Self-Locking Nut With Nylon Ø1" 14F UNS Ch.1.1/2" H.20mm	1
7	6020390042-5	Plastic Cover Bt-21	2
8	5024010323-8	Smooth Washer Ø27 x Ø44,5 x 4,75mm	1
9	6020190066-5	Repair Kit	1

• Speed Box



Item	Code	Product description	All	Right	Left
1	6020310471-8	Heavy Elastic Pin Ø6 X 30mm	2		
2	5538010085-0	Rear Cover	1		
3	5232020209-4	Shaft Ø5/8" X 157mm	1		
4	5554010017-8	Right Support	1		
5	5260040006-1	Alphabetical Regulating Shaft De 299mm	1		
6	5260040007-0	Numerical Regulating Shaft De 200mm	1		
7	5554010015-1	Left Support	1		
8	5080020830-8	Bushing Of Ø19,2 X Ø23,2 X 25,50mm	2		
9	5080080005-3	Bushing Of The Hexagonal 1.1/4" X 150mm	1		
10	6020010305-2	Retaining Ring I-42	1		
11	6020350274-8	Retainer Ø15,90 X Ø25,40 X 4,50mm	1		
12	6020350275-6	Retainer Ø30,00 X Ø43,00 X 9,50mm	1		
13	6020310038-0	Hexagonal Head Bolt 5/16" X 1" 18F Unc1A Gr5 Rt	6		
14	6020317426-0	Allen Bolt S/C 1/2" X 3/4" 12FW Cl12.9 Rt (Phosphated)	2		
15	6020010063-0	O' Ring 2-116 N3006-90Nbr (18,72)	1		
16	6020010022-3	O' Ring 2-114 N3006-90Nbr (15,54)	1		
17	6020310506-4	Heavy Elastic Pin Ø6 X 40mm	1		
18	5112010011-8	Right Gear Box Housing		1	
18	5112010012-6	Left Gear Box Housing			1
19	5538010087-7	Rear Cover Of Reduction Box	1		
20	6020350018-4	Bearing 6203 2Rs 1	1		
21	6020010999-9	Gear 21 Teeth	2		
22	5538010086-9	Front Cover Of Reduction Box	1		
23	6020350006-0	Bearing 6006 2Rs Ddu	1		
24	5080010232-1	Bushing Of Ø25 X 100mm	1		
25	5256060005-4	Crown Of Reduction Box	1		
26	5080020804-9	Bushing Of Ø30 X Ø35 X 21mm	1		
27	5468010024-4	Shaft Handle	1		
28	6020430193-2	Oil Display	1		
29	6020390301-7	Lock Ø5,75 X 50mm	1		
30	5538060003-9	Cover Of 100 X 250 X 3,00mm	1		
31	5081010012-2	Plug R. 1/2 X 14 Npt	1		
32	5081010013-0	Plug R. 1/2 X 14 Npt W/Hole 3,00mm	1		
33	6020350086-9	Bearing Skf 51203	1		
34	6020312502-2	Bolt N°10 X 1/2" 24F Unc2A Gr2 Rt	2		
35	6020350245-4	Retainer Ø30,00 X Ø52,00 X 10,00mm	1		
36	6020030015-0	Protection Speed Box Protection With Hole	1		
37	5080080004-5	Bushing Of The Hexagonal 1.1/4" X 90mm	1		
38	5232020208-6	Shaft Ø3/4" X 408mm	1		
39	6020311020-3	Hexagonal Head Bolt 5/16" X 1/2" 18F Unc1A Gr2 Rt	8		
40	6020312020-9	Hexagonal Head Bolt 5/16" X 3/4" 18F Unc1A Gr5 Rt	10		

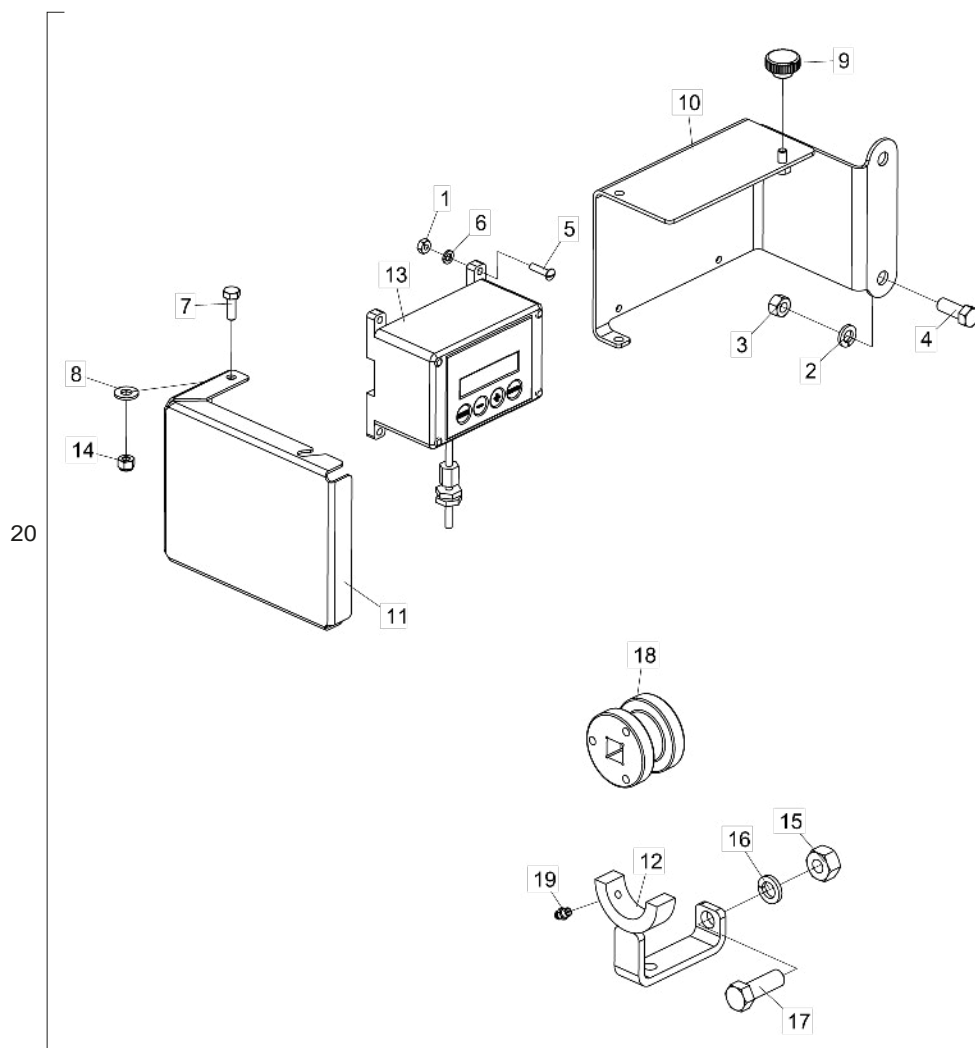
• **Seed Mixer (Optional)**



• Table Seed Mixer (Optional)

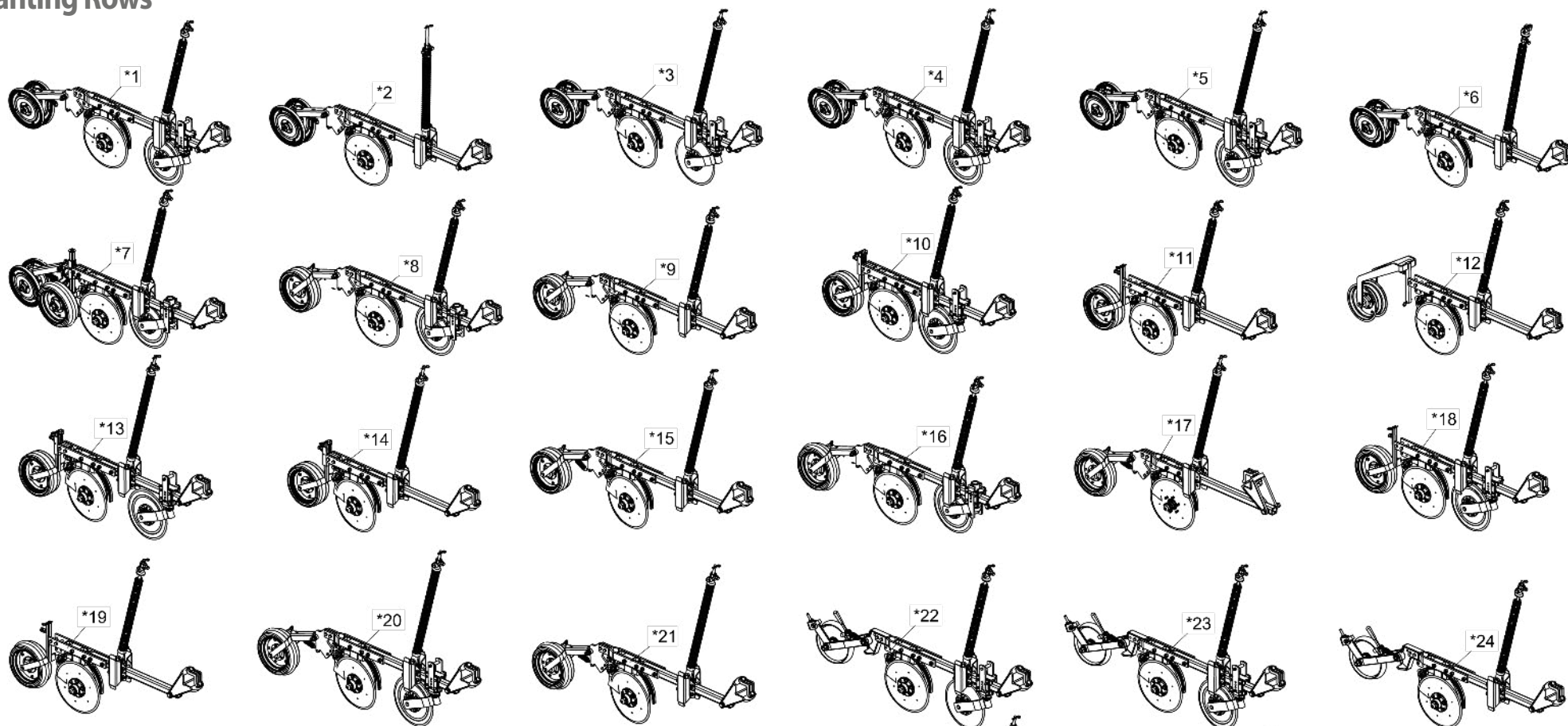
Item	Code	Product description	All						Item	Code	Product description	All					
				W/Hectarimeter SPD-3000	W/Hectarimeter SPD-4000	W/Hectarimeter SPD-5000	Without Hectarimeter SPD-3000	Without Hectarimeter SPD-4000					Without Hectarimeter SPD-5000	W/Hectarimeter SPD-3000	W/Hectarimeter SPD-4000	W/Hectarimeter SPD-5000	Without Hectarimeter SPD-3000
1	5530011750-2	Right Lateral Plate Of Complete Hub	1						35	6020130100-1	Grease Fitting 1/4"	4					
2	5106020032-0	Right Protector Cover (3000)		1			1		36	5204010010-5	Shaft Hub	4					
2	5106010048-2	Right Protector Cover (4000)			1			1	37	5530100179-6	Righ Support Of Hub	2					
2	5106010046-6	Right Protector Cover (5000)				1			37	5530100180-0	Left Support Of Hub	2					
3	5106020033-9	Left Protector Cover (3000)		1			1		38	6020010431-8	Plain Inox Washer Ø8,5 X Ø18 X 1,8mm	8					
3	5106010049-0	Left Protector Cover (4000)			1			1	39	6020310767-9	Brass Hexagonal Nut 5/16" 18F Unc Ch.1/2" H.6,50mm	8					
3	5106010047-4	Left Protector Cover (5000)				1		1	40	6020010434-2	Pressure Washer Inox 5/16" Media	8					
4	5120010033-0	Spool W/ Gear		1	1	1	2	2	41	6020050104-0	Cotterpin 3/16" X 1"	4					
5	5256040018-7	Gear 10 Teeth With Bushing		1	1	1	2	2	42	5530010181-9	Support Of Spool (3000)		1			2	
6	5530011748-0	Complete Righ Support Of Hub	2						42	5530280019-6	Support Of Spool (4000)			1		2	
7	5530011749-9	Complete Left Support Of Hub	2						42	5530280015-3	Support Of Spool (5000)					2	
8	5530011751-0	Left Lateral Support Of Complete Hub	1						43	6020010435-0	Pressure Washer Inox 1/2" Media		1	1	1	2	2
9	5396010006-5	Seed Mixer		16	20	24	16	20	44	6020310886-1	Hexagonal Head Bolt Inox 1/2" X 1.1/2" 12F W Rt		1	1	1	2	2
10	6020310882-9	Hexagonal Head Bolt Inox 5/16" X 3/4" 18F Unc2A Rt		18	22	26	18	22	45	6020130100-1	Grease Fitting 1/4"		1	1	1	2	2
11	6020310894-2	Hexagonal Head Bolt Inox 5/16" X 1.1/2" 18F Unc2A Rt			4	4		4	46	6020310754-7	Hexagonal Nut 1/2" 12F W Gr5 Ch.7/8" Height 12,00mm		1	1	1	2	2
12	5232010082-8	Seed Mixer Shaft 750mm			2			2	47	5428020016-9	Pinion Of 11 Teeth		1	1	1		
12	5232010080-1	Seed Mixer Shaft 915mm				2		2	48	6020310506-4	Heavy Elastic Pin Ø6 X 40mm		1	1	1		
13	5232010078-0	Seed Mixer Shaft 1400mm		2			2		49	5024010308-4	Smooth Washer Ø23 X Ø32 X 6,30mm		1	1	1		
13	5232010081-0	Seed Mixer Shaft 950mm			2			2	50	6020050319-0	Chain (Asa 40) 32 Links + Reduction		1	1	1		
13	5232010079-8	Seed Mixer Shaft 1120mm				2		2	51	5530011742-1	Support W/Hectarimeter Complete (Sa/Sd/SPD-3000)		1				
14	6020058145-0	Chain 2050 Of 17 Links + Amendment		1	1	1	2	2	51	5530011743-0	Support W/Hectarimeter Complete (Sa/Sd/SPD-4000)			1			
15	5364010011-3	Luva De Ø28 X Ø20 X 45mm			2	2		2	51	5530011744-8	Support W/Hectarimeter Complete (Sa/Sd/SPD-5000)					1	
16	5080020593-7	Bushing Of Ø25/32" X Ø1.1/4" X 20mm	2						52	6020011005-9	Gear 24 Teeth With Square Hole 16mm		1	1	1		
17	6020310506-4	Heavy Elastic Pin Ø6 X 40mm		1	1	1	2	2	53	6020310122-0	Bolt 3/16" X 3/4" 24F Unc1A Gr5 Rt		4	4	4		
18	6020310767-9	Brass Hexagonal Nut 5/16" 18F Unc Ch.1/2" H.6,50mm			4	4		4	54	5530010098-7	Hectare Support 3000		1				
19	6020010434-2	Pressure Washer Inox 5/16" Media			4	4		4	54	5530010099-5	Hectare Support 4000			1			
20	5530011745-6	Complete Support Of Spool O (3000)		1			2		54	5530010100-2	Hectare Support 5000					1	
20	5530011746-4	Complete Support Of Spool O (4000)			1			2	55	6020010400-8	Pressure Washer 3/16" Media Industry		4	4	4		
20	5530011747-2	Complete Support Of Spool O (5000)				1		2	56	5108010065-9	Pipe Of Ø21,6 X Ø26,9 X 70mm		1				
21	5530011784-7	Support W/Hectarimeter Complete For Mixer (Sa/Sd/SPD-3000)		1					56	5108010071-3	Pipe Of Ø21,6 X Ø26,9 X 55mm			1			
21	5530011785-5	Support W/Hectarimeter Complete For Mixer (Sa/Sd/SPD-4000)			1				56	5108010066-7	Pipe Of Ø21,6 X Ø26,9 X 60mm				1		
21	5530011786-3	Support W/Hectarimeter Complete For Mixer (Sa/Sd/SPD-5000)				1			57	6020310886-1	Hexagonal Head Bolt Inox 1/2" X 1.1/2" 12F W Rt		3	3	3		
22	6020130100-1	Grease Fitting 1/4"	2						58	5256010068-0	Gear 11 Teeth With Square Hole 16mm	1					
23	6020010434-2	Pressure Washer Inox 5/16" Media	8						59	6020010435-0	Pressure Washer Inox 1/2" Media		3	3	3		
24	6020010431-8	Plain Inox Washer Ø8,5 X Ø18 X 1,8mm	8						60	6020310754-7	Hexagonal Nut 1/2" 12F W Gr5 Ch.7/8" Height 12,00mm		3	3	3		
25	6020310767-9	Brass Hexagonal Nut 5/16" 18F Unc Ch.1/2" H.6,50mm	8						61	6020011006-7	Gear 24 Teeth With Hole Ø8,2mm		1	1	1		
26	5530100176-1	Righ Support Of Hub	1						62	6020050613-0	Hectarimeter 1669-16-004 (Veeder-Root)		1	1	1		
26	5530100178-8	Left Support Of Hub	1						63	6020310094-1	Allen Bolt 5/8" X 1/2" 20F Unc1A Cl12.9 Rt (Phosphated)		1	1	1		
27	5204010010-5	Shaft Hub	2						64	6020310740-7	Hexagonal Nut 3/16" 24F Unc Gr5 Ch.3/8" Height 4,50mm		4	4	4		
28	6020310882-9	Hexagonal Head Bolt Inox 5/16" X 3/4" 18F Unc2A Rt	4						65	5024010011-5	Smooth Washer Ø5,5 X Ø15 X 0,91mm		4	4	4		
29	6020050104-0	Cotterpin 3/16" X 1"	2						66	2515151011-9	Seed Mixer Kit With Hectarimeter Sa/ Sd / SPD-3000		1				
30	6020310882-9	Hexagonal Head Bolt Inox 5/16" X 3/4" 18F Unc2A Rt		3	3	3	6	6	66	2515151021-6	Seed Mixer Kit With Hectarimeter Sa/Sd/SPD-4000			1			
31	6020010404-0	Pressure Washer 5/16" Media Industry		3	3	3	6	6	66	2515151031-3	Seed Mixer Kit With Hectarimeter Sa/Sd/SPD-5000				1		
32	5120010032-1	Spool		1	1	1	2	2	66	2515010007-3	Seed Mixer Kit Without Hectarimeter Sa/Sd / SPD 3000					1	
33	5256030006-9	Sprocket 8 Teeth		1	1	1	2	2	66	2515010006-5	Seed Mixer Kit Without Hectarimeter Sa/Sd/SPD 4000						1
34	6020310882-9	Hexagonal Head Bolt Inox 5/16" X 3/4" 18F Unc2A Rt	8						66	2515010005-7	Seed Mixer Kit Without Hectarimeter Sa/Sd/SPD 5000						1

• Complete Digital Hectarimeter (Optional)



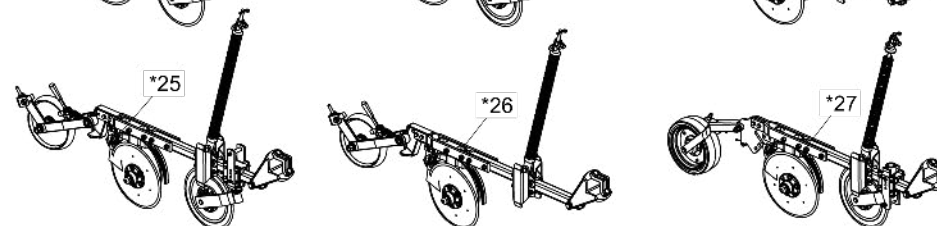
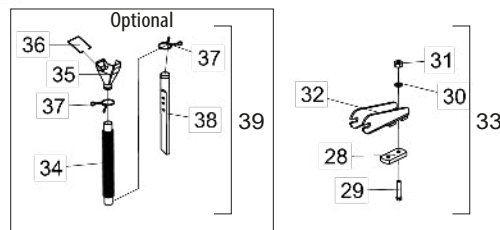
Item	Code	Product description	All	SPD 3000	SPD 4000	SPD 5000
1	6020310740-7	Hexagonal Nut 3/16" 24F Unc Gr5 Ch.3/8" Height 4,50mm	4			
2	6020010406-7	Pressure Washer 3/8" Media Industry	2			
3	6020310768-7	Brass Hexagonal Nut 3/8" 16F Unc Ch.9/16" H.8,50mm	2			
4	6020310054-2	Hexagonal Head Bolt 3/8" X 1" 16F Unc1A Gr2 Rt	2			
5	6020310122-0	Bolt 3/16" X 3/4" 24F Unc1A Gr5 Rt	4			
6	6020010400-8	Pressure Washer 3/16" Media Industry	4			
7	6020311002-5	Hexagonal Head Bolt 1/4" X 3/4" 20F Unc1A Gr2 Rt	2			
8	6020010431-8	Plain Inox Washer Ø8,5 X Ø18 X 1,8mm	2			
9	6020250455-0	Female Aperto Button Thermoplastic (Thread 1/4" Unc)	1			
10	5136012383-2	Large Plate Of Counter Of Hectares	1			
11	5464010047-0	Compteur Protection Of Digital Hectarimeter	1			
12	5530011760-0	Support Of Spool (3000)		1		
12	5530011758-8	Support Of Spool (4000)			1	
12	5530011756-1	Support Of Spool (5000)				1
13	6020050605-0	Hectarimeter Ht1000 C/Painel Digital Enalta	1			
14	6020310839-0	Self-Locking Nut With Nylon 1/4" 20F Unc Gr5 Ch.7/16" H.8,00mm	2			
15	6020310754-7	Hexagonal Nut 1/2" 12F W Gr5 Ch.7/8" Height 12,00mm	1			
16	6020010435-0	Pressure Washer Inox 1/2" Media	1			
17	6020310886-1	Hexagonal Head Bolt Inox 1/2" X 1.1/2" 12F W Rt	1			
18	5120010032-1	Spool	1			
19	6020130100-1	Grease Fitting 1/4"	1			
20	5154010005-9	Complete Digital Hectarimeter For SPD-Sd 3000		1		
20	5154010004-0	Complete Digital Hectarimeter For SPD-Sd 4000			1	
20	5154010003-2	Complete Digital Hectarimeter For SPD-Sd 5000				1

• Planting Rows



- * Items 1 and 2 - See page 49
- * Items 3, 4, 5 and 6 - See page 52
- * Item 7 - See page 58
- * Items 8 and 9 - See page 61
- * Items 10 and 11 - See page 64
- * Item 12 - See page 67
- * Items 13 and 14 - See page 69
- * Item 15 - See page 73
- * Items 16 and 17 - See page 75

- * Items 18 and 19 - See page 79
- * Items 20 and 21 - See page 81
- * Items 22, 23 and 24 - See page 85
- * Items 25 and 26 - See page 87
- * Item 27 - See page 91



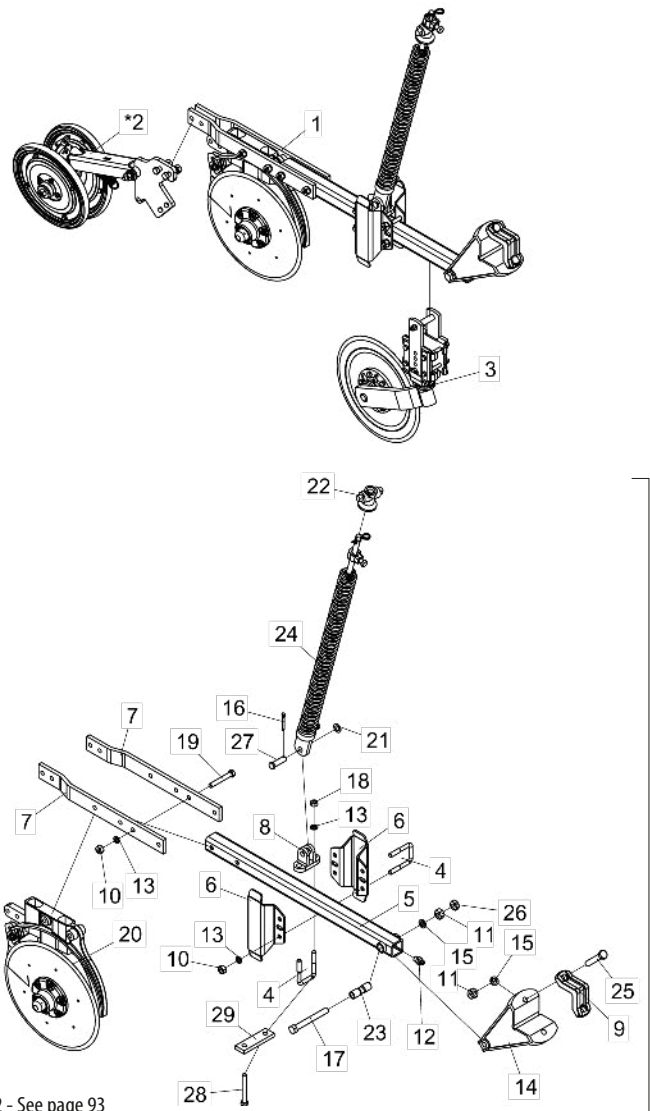
• Table Planting Rows

Item	Code	Product description	All	Item	Code	Product description	All
*1	2517010515-2	Large Right Row Unit W/Cutting Rippled Disc W/Compactor "V" Wheel	1	*10	2517011443-7	Large Right Row Unit W/Cutting Rippled Disc W/Concave Compactor Wheel	1
*1	2517010517-9	Small Right Row Unit W/Cutting Rippled Disc W/Compactor "V" Wheel	1	*10	2517011441-0	Small Right Row Unit W/Cutting Rippled Disc W/Concave Compactor Wheel	1
*1	2517010516-0	Large Left Row Unit W/Cutting Rippled Disc W/Compactor "V" Wheel	1	*10	2517011442-9	Large Left Row Unit W/Cutting Rippled Disc W/Concave Compactor Wheel	1
*1	2517010514-4	Small Left Row Unit W/Cutting Rippled Disc W/Compactor "V" Wheel	1	*10	2517011440-2	Small Left Row Unit W/Cutting Rippled Disc W/ Compactor Wheel	1
*2	2517010519-5	Large Right Row Unit Without Cutting Disc W/Compactor "V" Wheel (Special)	1	*11	2517011778-9	Large Right Row Unit Without Cutting Disc W/Concave Compactor Wheel W/Support	1
*2	2517010521-7	Small Right Row Unit Without Cutting Disc W/Compactor "V" Wheel (Special)	1	*11	2517011776-2	Small Right Row Unit Without Cutting Disc W/Concave Compactor Wheel W/Support	1
*2	2517010520-9	Large Left Row Unit Without Cutting Disc W/Compactor "V" Wheel (Special)	1	*11	2517011779-7	Large Left Row Unit Without Cutting Disc W/Concave Compactor Wheel	1
*2	2517010518-7	Small Left Row Unit Without Cutting Disc W/Compactor "V" Wheel (Special)	1	*11	2517011777-0	Small Left Row Unit Without Cutting Disc W/Concave Compactor Wheel	1
*3	2517012259-6	Large Right Row Unit W/Plan Cutting Disc W/"V" Compactor Wheel W/Frieze Of 40mm(Special)	1	*12	2517011274-4	Large Right Row Unit Without Cutting Disc W/Concave Compactor Wheel W/Support	1
*3	2517012257-0	Small Right Row Unit W/Plan Cutting Disc W/"V" Compactor Wheel W/Frieze Of 40mm(Special)	1	*12	2517011272-8	Small Right Row Unit Without Cutting Disc W/Concave Compactor Wheel W/Support	1
*3	2517012258-8	Large Left Row Unit W/Plan Cutting Disc W/"V" Compactor Wheel W/Frieze Of 40mm(Special)	1	*12	2517011273-6	Large Left Row Unit Without Cutting Disc W/Concave Compactor Wheel	1
*3	2517012256-1	Small Left Row Unit W/Plan Cutting Disc W/"V" Compactor Wheel W/Frieze Of 40mm(Special)	1	*12	2517011271-0	Small Left Row Unit Without Cutting Disc W/Concave Compactor Wheel	1
*4	2517012169-7	Large Right Row Unit W/Rippled Cutting Disc W/"V" Compactor Wheel W/Frieze Of 40mm(Special)	1	*13	2517012207-3	Large Right Row Unit W/Rippled Cutting Disc W/Concave Compactor Wheel W/Regulator Support W/Frieze Of 40mm	1
*4	2517012167-0	Small Right Row Unit W/Rippled Cutting Disc W/"V" Compactor Wheel W/Frieze Of 40mm(Special)	1	*13	2517012205-7	Small Right Row Unit W/Rippled Cutting Disc W/Concave Compactor Wheel W/Regulator Support W/Frieze Of 40mm	1
*4	2517012168-9	Large Left Row Unit W/Rippled Cutting Disc W/"V" Compactor Wheel W/Frieze Of 40mm(Special)	1	*13	2517012206-5	Large Left Row Unit W/Rippled Cutting Disc W/Concave Compactor Wheel W/Regulator Support W/Frieze Of 40mm	1
*4	2517012166-2	Small Left Row Unit W/Rippled Cutting Disc W/"V" Compactor Wheel W/Frieze Of 40mm(Special)	1	*13	2517012204-9	Small Left Row Unit W/Rippled Cutting Disc W/Concave Compactor Wheel W/Regulator Support W/Frieze Of 40mm	1
*5	2517012136-0	Large Right Row Unit W/Rippled Cutting Disc W/"V" Compactor Wheel W/Frieze Of 55mm(Special)	1	*14	2517012173-5	Large Right Row Unit Without Cutting Disc W/Concave Compactor Wheel W/Regulator Support W/Frieze Of 40mm(SPD-E)	1
*5	2517012134-4	Small Right Row Unit W/Rippled Cutting Disc W/"V" Compactor Wheel W/Frieze Of 55mm(Special)	1	*14	2517012171-9	Right Small Row Unit Without Cutting Disc W/Concave Compactor Wheel W/Regulator Support W/Frieze Of 40mm(SPD-E)	1
*5	2517012132-8	Large Left Row Unit W/Rippled Cutting Disc W/"V" Compactor Wheel W/Frieze Of 55mm(Special)	1	*14	2517012172-7	Large Left Row Unit Without Cutting Disc W/Concave Compactor Wheel W/Regulator Support W/Frieze Of 40mm(SPD-E)	1
*5	2517012130-1	Small Left Row Unit W/Rippled Cutting Disc W/"V" Compactor Wheel W/Frieze Of 55mm(Special)	1	*14	2517012170-0	Small Left Row Unit Without Cutting Disc W/Concave Compactor Wheel W/Regulator Support W/Frieze Of 40mm(SPD-E)	1
*6	2517012165-4	Large Right Row Unit Without Cutting Disc W/"V" Compactor Wheel W/Frieze Of 40mm(Special)	1	*15	2517012203-0	Large Right Row Unit Without Cutting Disc W/Concave Compactor Wheel W/Frieze Of 40mm(Special)	1
*6	2517012163-8	Small Right Row Unit Without Cutting Disc W/"V" Compactor Wheel W/Frieze Of 40mm(Special)	1	*15	2517012201-4	Small Right Row Unit Without Cutting Disc W/Concave Compactor Wheel W/Frieze Of 40mm(Special)	1
*6	2517012164-6	Large Left Row Unit Without Cutting Disc W/"V" Compactor Wheel W/Frieze Of 40mm(Special)	1	*15	2517012202-2	Large Left Row Unit Without Cutting Disc W/Concave Compactor Wheel W/Frieze Of 40mm(Special)	1
*6	2517012162-0	Small Left Row Unit Without Cutting Disc W/"V" Compactor Wheel W/Frieze Of 40mm(Special)	1	*15	2517012200-6	Small Left Row Unit Without Cutting Disc W/Concave Compactor Wheel W/Frieze Of 40mm(Special)	1
*7	2517010843-7	Large Right Row Unit W/Cutting Rippled Disc W/Compactor "V" Wheel	1	*16	2517010835-6	Large Right Row Unit W/Cutting Rippled Disc W/Convex Compactor Wheel	1
*7	2517010841-0	Small Right Row Unit W/Cutting Rippled Disc W/Compactor "V" Wheel	1	*16	2517010833-0	Small Right Row Unit W/Cutting Rippled Disc W/Convex Compactor Wheel	1
*7	2517010842-9	Large Left Row Unit W/Cutting Rippled Disc W/Compactor "V" Wheel	1	*16	2517010834-8	Large Left Row Unit W/Cutting Rippled Disc W/Convex Compactor Wheel	1
*7	2517010840-2	Small Left Row Unit W/Cutting Rippled Disc W/Compactor "V" Wheel	1	*16	2517010832-1	Small Left Row Unit W/Cutting Rippled Disc W/ Compactor Wheel	1
*8	2517011923-4	Large Right Row Unit W/Cutting Rippled Disc W/Concave Compactor Wheel	1	*17	2517011439-9	Large Right Row Unit Without Cutting Disc Do W/Convex Compactor Wheel	1
*8	2517011922-6	Small Right Row Unit W/Cutting Rippled Disc W/Concave Compactor Wheel	1	*17	2517011437-2	Small Right Row Unit Without Cutting Disc W/Convex Compactor Wheel (Special)	1
*8	2517011925-0	Large Left Row Unit W/Cutting Rippled Disc W/Concave Compactor Wheel	1	*17	2517011438-0	Large Left Row Unit Without Cutting Disc W/Convex Compactor Wheel	1
*8	2517011924-2	Small Left Row Unit W/Cutting Rippled Disc W/ Compactor Wheel	1	*17	2517011436-4	Small Left Row Unit Without Cutting Disc W/Convex Compactor Wheel	1
*9	2517010627-2	Large Right Row Unit Without Cutting Disc W/Concave Compactor Wheel(Special)	1	*18	2517010851-8	Large Right Row Unit W/Cutting Rippled Disc W/Convex Compactor Wheel	1
*9	2517010629-9	Small Right Row Unit Without Cutting Disc W/Concave Compactor Wheel(Special)	1	*18	2517010849-6	Small Right Row Unit W/Cutting Rippled Disc W/Convex Compactor Wheel	1
*9	2517010628-0	Large Left Row Unit Without Cutting Disc W/Concave Compactor Wheel	1	*18	2517010850-0	Large Left Row Unit W/Cutting Rippled Disc W/Convex Compactor Wheel	1
*9	2517010626-4	Small Left Row Unit Without Cutting Disc W/Concave Compactor Wheel	1	*18	2517010848-8	Small Left Row Unit W/Cutting Rippled Disc W/ Compactor Wheel	1

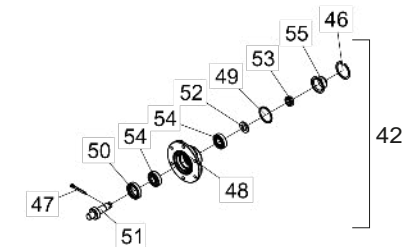
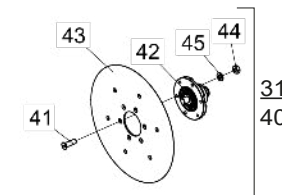
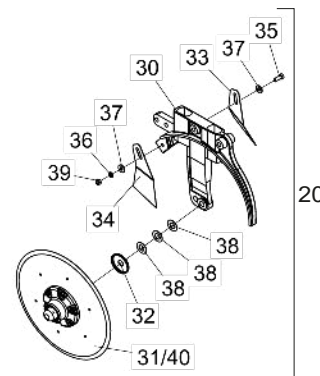
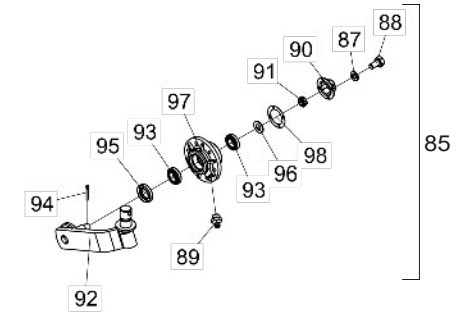
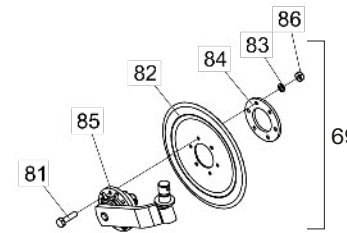
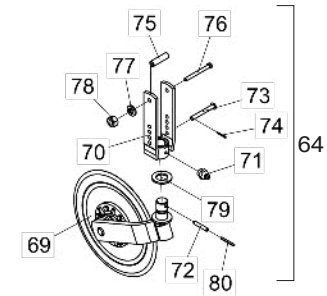
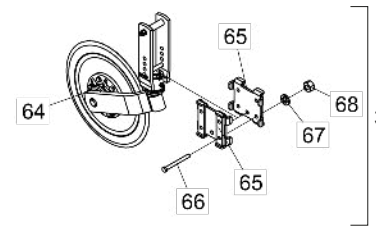
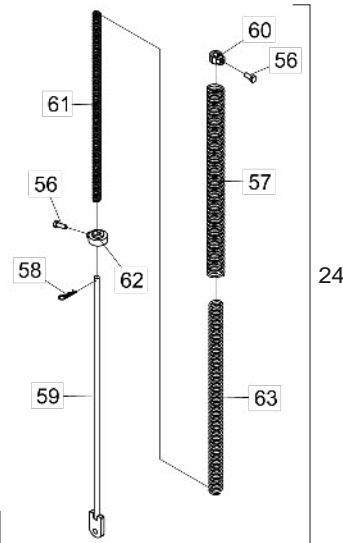
• Table Planting Rows

Item	Code	Product description	All	Item	Code	Product description	All
*19	2517010855-0	Large Right Row Unit Without Cutting Disc W/Convex Compactor Wheel W/Support	1	*27	2517010836-4	Small Left Row Unit W/Cutting Rippled Disc W/Smooth Compactor Wheel	1
*19	2517010853-4	Small Right Row Unit Without Cutting Disc W/Convex Compactor Wheel W/Support	1	28	5136020501-4	Plate Of 2" X 5/8" X 115mm	1
*19	2517010854-2	Large Left Row Unit Without Cutting Disc W/Convex Compactor Wheel	1	29	6020317552-6	Hexagonal Head Bolt M12 X 1,75 X 80mm Cl8.8 Rt	2
*19	2517010852-6	Small Left Row Unit Without Cutting Disc W/Convex Compactor Wheel	1	30	6020010395-8	Pressure Washer M12 Media	2
*20	2517012157-3	Large Right Row Unit W/Rippled Cutting Disc W/Convex Compactor Wheel W/Frieze Of 40mm(Special)	1	31	6020310820-9	Hexagonal Nut M12 X 1,75 Ma Cl8 Ch.19mm H.10,00mm	2
*20	2517012155-7	Small Right Row Unit W/Rippled Cutting Disc W/Convex Compactor Wheel W/Frieze Of 40mm(Special)	1	32	5530420141-9	Complete Support Of Spring	1
*20	2517012156-5	Large Left Row Unit W/Rippled Cutting Disc W/Convex Compactor Wheel W/Frieze Of 40mm(Special)	1	33	5530011783-9	Support Of Spring Rod	1
*20	2517012154-9	Small Left Row Unit W/Rippled Cutting Disc W/Convex Compactor Wheel W/Frieze Of 40mm(Special)	1	Optional			
*21	2517012181-6	Large Right Row Unit Without Cutting Disc Do W/Convex Compactor Wheel W/Frieze Of 40mm(Special)	1	34	6020250034-2	Hose Ø38 X Ø38 X 480mm (Hose 144)	1
*21	2517012179-4	Small Right Row Unit Without Cutting Disc W/Convex Compactor Wheel W/Frieze Of 40mm(Special)	1	35	6020190010-0	Funnel Ju-02 (N. 3823)	1
*21	2517012180-8	Large Left Row Unit Without Cutting Disc W/Convex Compactor Wheel W/Frieze Of 40mm(Special)	1	36	6020390309-2	Lock 100 X 84 X 03mm (2557)	1
*21	2517012178-6	Small Left Row Unit Without Cutting Disc W/Convex Compactor Wheel W/Frieze Of 40mm(Special)	1	37	6020250322-8	Lock Spring	2
*22	2517010747-3	Large Right Row Unit W/Plain Coulter Disc W/Iron Compactor Wheel(Special)	1	38	6020030671-9	Distributor Funnel 470mm	1
*22	2517010746-5	Small Right Row Unit W/Plain Coulter Disc W/Iron Compactor Wheel(Special)	1	39	5150010128-1	Complete Seed Conductor (SPD)	1
*22	2517010749-0	Large Left Row Unit W/Plain Coulter Disc W/Iron Compactor Wheel(Special)	1				
*22	2517010748-1	Small Left Row Unit W/Plain Coulter Disc W/Iron Compactor Wheel(Special)	1				
*23	2517010803-8	Large Right Row Unit W/Rippled Coulter Disc W/Iron Compactor Wheel(Special)	1				
*23	2517010801-1	Small Right Row Unit W/Rippled Coulter Disc W/Iron Compactor Wheel(Special)	1				
*23	2517010802-0	Large Left Row Unit W/Rippled Coulter Disc W/Iron Compactor Wheel(Special)	1				
*23	2517010800-3	Small Left Row Unit W/Rippled Coulter Disc W/Iron Compactor Wheel(Special)	1				
*24	2517010634-5	Large Right Row Unit Without Coulter Disc W/Iron Compactor Wheel(Special)	1				
*24	2517010636-1	Small Right Row Unit Without Coulter Disc W/Iron Compactor Wheel(Special)	1				
*24	2517010635-3	Large Left Row Unit Without Coulter Disc W/Iron Compactor Wheel(Special)	1				
*24	2517010633-7	Small Left Row Unit Without Coulter Disc W/Iron Compactor Wheel(Special)	1				
*25	2517012161-1	Large Right Row Unit W/Rippled Cutting Disc W/Iron Compactor Wheel W/Frieze Of 40mm(Special)	1				
*25	2517012159-0	Small Right Row Unit W/Rippled Cutting Disc W/Iron Compactor Wheel W/Frieze Of 40mm(Special)	1				
*25	2517012160-3	Large Left Row Unit W/Rippled Cutting Disc W/Iron Compactor Wheel W/Frieze Of 40mm(Special)	1				
*25	2517012158-1	Small Left Row Unit W/Rippled Cutting Disc W/Iron Compactor Wheel W/Frieze Of 40mm(Special)	1				
*26	2517012177-8	Large Right Row Unit Without Cutting Disc W/Iron Compactor Wheel W/Frieze Of 40mm(Special)	1				
*26	2517012175-1	Small Right Row Unit Without Cutting Disc W/Iron Compactor Wheel W/Frieze Of 40mm(Special)	1				
*26	2517012176-0	Large Left Row Unit Without Cutting Disc W/Iron Compactor Wheel W/Frieze Of 40mm(Special)	1				
*26	2517012174-3	Small Left Row Unit Without Cutting Disc W/Iron Compactor Wheel W/Frieze Of 40mm(Special)	1				
*27	2517010839-9	Large Right Row Unit W/Cutting Rippled Disc W/Smooth Compactor Wheel	1				
*27	2517010837-2	Small Right Row Unit W/Cutting Rippled Disc W/Smooth Compactor Wheel	1				
*27	2517010838-0	Large Left Row Unit W/Cutting Rippled Disc W/Smooth Compactor Wheel	1				

• Row W/"V" Compactation Wheel (Standart)



* Item 2 - See page 93



• Table Row W/“V” Compactation Wheel (Standart)

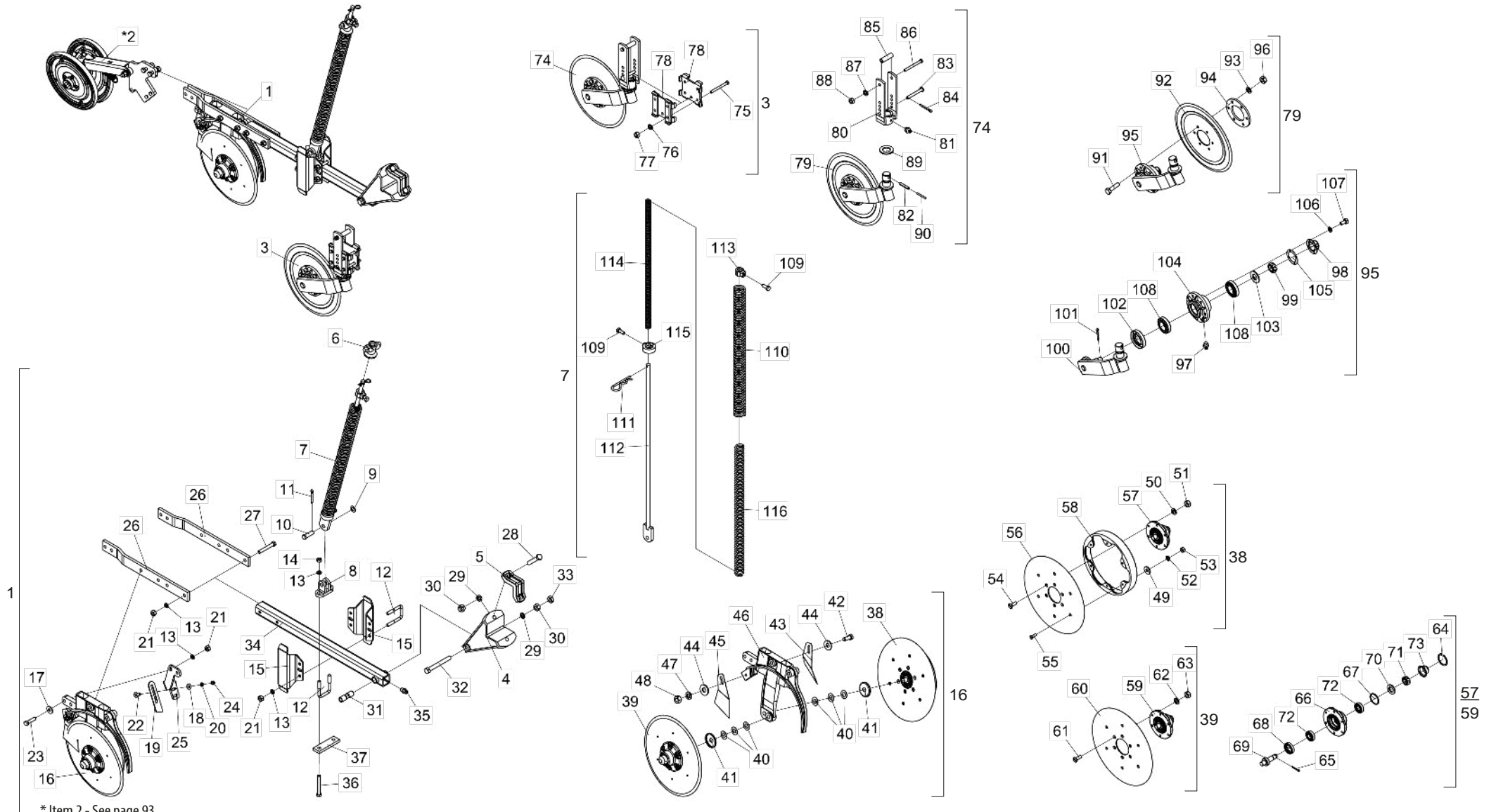
Item	Code	Product description	All	Large Right W/Cutting Disc	Small Right W/Cutting Disc	Large Left W/Cutting Disc	Small Left W/Cutting Disc	Large Right Without Cutting Disc	Small Right Without Cutting Disc	Large Left Without Cutting Disc	Small Left Without Cutting Disc	Item	Code	Product description	All	Large Right W/Cutting Disc	Small Right W/Cutting Disc	Large Left W/Cutting Disc	Small Left W/Cutting Disc	Large Right Without Cutting Disc	Small Right Without Cutting Disc	Large Left Without Cutting Disc	Small Left Without Cutting Disc
1	2517010625-6	Large Right Row Unit (SPD Special)	1					1				28	6020311065-3	Hexagonal Head Bolt 1/2" X 4" 12F W Gr5 Rp			4	4		4	4		
1	2517010623-0	Small Right Row Unit (SPD Special)			1				1			29	5040121052-8	Bar 38 X 130 X 12,5mm			1	1		1	1		
1	2517010624-8	Large Left Row Unit (SPD Special)				1				1		30	5530011577-1	Right Support Of Fertilizer And Seed Large Double Disc (Descentrado)	1	1				1	1		
1	2517010622-1	Small Left Row Unit (SPD Special)					1				1	30	5530011576-3	Left Support Of Large Fertilizer/Seed Large Double Disc				1	1			1	1
*2	5124010381-1	Complete Row Of Compactation Wheel Type "V" (SPD)	1									31	5204010159-4	Complete Right Hub For Limiter Ring(Coulter Disc Blade 15" X 4,00mm)	1								
3	5124010337-4	Complete Row Of Rippled Coulter Disc Blade		1	1	1	1					32	5096040002-7	Hub Internal Cap	2								
4	5068010081-8	Clamp Of 84 X 64 X R.1/2" W	3			3		3		3		33	5352030056-9	Internal Left Scraper Of Disc	1								
5	5572012100-9	Square Beam Of50 X 800mm Complete	1									34	5352030057-7	Internal Right Scraper Of Disc	1								
6	5526010018-0	Separator Of Rowas	2									35	6020310054-2	Hexagonal Head Bolt 3/8" X 1" 16F Unc1A Gr2 Rt	1								
7	5040140058-0	Bar Of 2" X 1/2" X 554mm	2									36	6020010406-7	Pressure Washer 3/8" Media Industry	1								
8	6010601172-1	Lower Support Of Rod (Small)		1		1		1	1	1		37	5024010075-1	Smooth Washer Ø10,3 X Ø25 X 2,00mm	2								
8	6010601195-0	Lower Support Of Rod (Large)			1		1		1	1	1	38	5024010024-7	Smooth Washer Ø20 X Ø38 X 1,21mm	6								
9	6010601347-3	Fixation Shank Of Coulter Disc	1									39	6020310746-6	Hexagonal Nut 3/8" 16F Unc Gr5 Ch.9/16" Height 8,50mm	1								
10	6020310754-7	Hexagonal Nut 1/2" 12F W Gr5 Ch.7/8" Height 12,00mm	8	6	18	6	8	6	18	6		40	5204010160-8	Complete Left Hub For Limiter Ring (Plain Disc 15" X 4,00mm)	1								
11	6020310760-1	Hexagonal Nut 5/8" 11F Unc Gr5 Ch.1.1/16" Height 15,00mm	3									41	6020317573-9	Allen Bolt M8 X 1,25 X 25mm C12.9 RT	12								
12	6020130100-1	Grease Fitting 1/4"	1									42	5204010150-0	Right Disc Hub		1	1			1	1		
13	6020010410-5	Pressure Washer 1/2" Media Industry		10	6		6	10	6	6		42	5204010149-7	Left Disc Hub				1	1			1	1
14	5252040056-7	Row Hitch	1									43	2857398003-6	Coulter Plain Disc Blade 15 X 4,00 Hc Rd 80mm + 6H Rd 8,7mm	2								
15	6020010412-1	Pressure Washer 5/8" Media Industry	3									44	6020310454-8	Hexagonal Nut M8 X 1,25 Ma C18 Ch.13mm H.6,50mm	12								
16	6020050101-5	Cotterpin 1/8" X 1"	1									45	6020010004-5	Pressure Washer M8 Media	12								
17	6020311082-3	Hexagonal Head Bolt 5/8" X 5.1/2" 11F Unc1A Gr5 Rp	1									46	6020010289-7	Retaining Ring I-55	1								
18	6020310756-3	Hexagonal Nut 1/2" 12F W Gr5 Ch.3/4" Height 11,00mm	2		2			2	2			47	6020050101-5	Cotterpin 1/8" X 1"	1								
19	6020311061-0	Hexagonal Head Bolt 1/2" X 3.1/2" 12F W Gr5 Rp	4	2	4	2	4	2	4	2		48	5204010148-9	Hub Of Ø136 X 54mm	1								
20	5124010372-2	Complete Row Of Double Disc Fertilizer/Seed (Excentric) Special	1	1				1	1			49	6020010095-9	Gascket Ring 047X 052X 2mm	1								
20	5124010373-0	Left Row Of Fertilizer/Seed Double Disc (Excentric) Special				1	1			1	1	50	6020350268-3	Retainer Ø36,00 X Ø52,00 X 11,00mm	1								
21	5024010059-0	Smooth Washer Ø16,5 X Ø29 X 1,21mm	1									51	5232010077-1	Shaft Ø36 X 94mm With Right Thread		1	1			1	1		
22	6010601280-9	Upper Lock Of Triple Spring	1									51	5232010076-3	Shaft Ø36 X 94mm With Left Thread				1	1			1	1
23	5080010539-8	Row Articulation Bushing	1									52	6020010513-6	Plain Washer Ø20 X Ø35 X 3mm	1								
24	5566010045-7	Small Rod Of Spring		1		1		1	1			53	6020310797-0	Nut 3/4" 16F Unf Gr5 Ch.1.1/16" Height 13,00mm	1								
24	5566010046-5	Rod Of Triple Spring (Small)			1		1		1	1	1	54	6020350087-7	Bearing 30204	2								
25	6020311079-3	Hexagonal Head Bolt 5/8" X 3.1/2" 11F Unc1A Gr5 Rp	2									55	6020050641-6	Hub Cap	1								
26	6020310738-5	Hexagonal Nut 5/8" 11F Unc Gr5 Ch.1.1/16" Height 11,00mm	1									56	6020310349-5	Hexagonal Head Bolt M12 X 1,75 X 30mm C18.8 R Wth Point	2								
27	5432030173-7	Pin Ø5/8" X 46mm	1									57	6020250437-2	Helical Spring Ø43,5 X Ø54,5 X 700mm External		1	1			1	1		1

• Table Row W/“V” Compactation Wheel (Standart)

Item	Code	Product description	All											
				Large Right W/Cutting Disc	Small Right W/Cutting Disc	Large Left W/Cutting Disc	Small Left W/Cutting Disc	Large Right Without Cutting Disc	Small Right Without Cutting Disc	Large Left Without Cutting Disc	Small Left Without Cutting Disc			
57	6020250267-1	Helical Spring Ø43,5 X Ø54,5 X 600mm External			1		1							
58	6020390294-0	Lock Nma - Type "R" Ø3,5 X 67mm(Special)	1											
59	5566040141-4	Rod Spring			1		1			1			1	
59	5566040144-9	Rod Of Spring De 935,5mm		1		1			1			1		
60	5080011663-2	Fixation Support Of Spring Rod	1											
61	6020250435-6	Helical Spring Ø17,5 X Ø25,5 X 700mm Internal		1		1			1			1		
61	6020250275-2	Helical Spring Ø17,5 X Ø25,5 X 600mm Internal			1		1			1			1	
62	5530016364-4	Lower Support Of Triple Spring	1											
63	6020250436-4	Helical Spring Ø30,5 X Ø41,5 X 700mm		1		1			1			1		
63	6020250273-6	Helical Spring Ø30,5 X Ø41,5 X 600mm			1		1			1			1	
64	5124010099-5	Rippled Coulter Disc Row		1	1	1	1							
65	5324050014-7	Complete Adjustment Support Guide		2	2	2	2							
66	6020311038-6	Hexagonal Head Bolt 3/8" X 4" 16F Unc1A Gr2 Rp		4	4	4	4							
67	6020010406-7	Pressure Washer 3/8" Media Industry		4	4	4	4							
68	6020310746-6	Hexagonal Nut 3/8" 16F Unc Gr5 Ch.9/16" Height 8,50mm		4	4	4	4							
69	5124010100-2	Row W/Rippled Coulter Disc Blade		1	1	1	1							
70	5530010406-0	Depth Regulator Support		1	1	1	1							
71	6020130108-7	Grease Fitting 1/8"		1	1	1	1							
72	6020310510-2	Heavy Elastic Pin Ø10 X 55mm		1	1	1	1							
73	5432010181-9	French Head Pin Ø11,20 X 90mm		1	1	1	1							
74	6020050101-5	Cotterpin 1/8" X 1"		1	1	1	1							
75	5080020787-5	Bushing Of Ø14 X Ø19 X 65mm		1	1	1	1							
76	6020311038-6	Hexagonal Head Bolt 3/8" X 4" 16F Unc1A Gr2 Rp		1	1	1	1							
77	6020010406-7	Pressure Washer 3/8" Media Industry		1	1	1	1							
78	6020310746-6	Hexagonal Nut 3/8" 16F Unc Gr5 Ch.9/16" Height 8,50mm		1	1	1	1							
79	5024010107-3	Smooth Washer Ø36 X Ø61 X 5,00mm		1	1	1	1							
80	6020310472-6	Heavy Elastic Pin Ø6 X 55mm		1	1	1	1							
81	6020310980-9	Hexagonal Head Bolt M10 X 1,50 X 40mm Cl8.8 Rt		6	6	6	6							
82	3255397388-0	Rippled Plain Disc Blade 14 X 4,00 Hc Rd 80mm + 6H Rd 10,3mm		1	1	1	1							
83	6020010394-0	Pressure Washer M10 Media		6	6	6	6							
84	5284010001-4	Flange Of Disc Hub		1	1	1	1							
85	5530010405-2	Support Of Disc W/Hub		1	1	1	1							
86	6020310822-5	Hexagonal Nut M10 X 1,50 Ma Cl8 Ch.17mm H.8,00mm		6	6	6	6							

Item	Code	Product description	All											
				Large Right W/Cutting Disc	Small Right W/Cutting Disc	Large Left W/Cutting Disc	Small Left W/Cutting Disc	Large Right Without Cutting Disc	Small Right Without Cutting Disc	Large Left Without Cutting Disc	Small Left Without Cutting Disc			
87	6020010402-4	Pressure Washer 1/4" Media Industry		4	4	4	4							
88	6020311000-9	Hexagonal Head Bolt 1/4" X 1/2" 20F Unc1A Gr5 Rt		4	4	4	4							
89	6020130108-7	Grease Fitting 1/8"		1	1	1	1							
90	6020050640-8	Hub Cap		1	1	1	1							
91	6020310797-0	Nut 3/4" 16F Unf Gr5 Ch.1.1/16" Height 13,00mm		1	1	1	1							
92	5530160187-4	Support W/Shaft Of Disc		1	1	1	1							
93	6020350077-0	Bearing 44610/49		2	2	2	2							
94	6020050101-5	Cotterpin 1/8" X 1"		1	1	1	1							
95	6020350244-6	Retainer Ø35,00 X Ø58,00 X 10,00mm		1	1	1	1							
96	5024010258-4	Smooth Washer Ø20 X Ø38,5 X 3,00mm		1	1	1	1							
97	5204010090-3	Disc Hub		1	1	1	1							
98	6020190098-3	Gascket Ø50,3 X Ø73,5 X 1/64"		1	1	1	1							

• Row W/"V" Compactation Wheel (Frieze 40 and 55mm)



* Item 2 - See page 93

• Table Row W/"V" Compactation Wheel (Frieze 40 and 55mm)

Item	Code	Product description	All															
			Large Right W/Plain Cutting Disc (40mm)	Small Right W/Plain Cutting Disc (40mm)	Large Left W/Plain Cutting Disc (40mm)	Small Left W/Plain Cutting Disc (40mm)	Large Right W/Rippled Cutting Disc (40mm)	Small Right W/Rippled Cutting Disc (40mm)	Large Left W/Rippled Cutting Disc (40mm)	Small Left W/Rippled Cutting Disc (40mm)	Large Right W/Rippled Cutting Disc (55mm)	Small Right W/Rippled Cutting Disc (55mm)	Large Left W/Rippled Cutting Disc (55mm)	Small Left W/Rippled Cutting Disc (55mm)	Large Right Without Cutting Disc (40mm)	Small Right Without Cutting Disc (40mm)	Large Left Without Cutting Disc (40mm)	Small Left Without Cutting Disc (40mm)
1	2517012295-2	Large Right Row Unit W/Frieze Of 40mm (SPD Special)	1				1											
1	2517012293-6	Small Right Row Unit W/Frieze Of 40mm (SPD Special)		1				1									1	
1	2517012294-4	Large Left Row Unit W/Frieze Of 40mm (SPD Special)			1				1									1
1	2517012292-8	Small Left Row Unit W/Frieze Of 40mm (SPD Special)				1				1								1
1	2517012137-9	Large Right Row Unit W/Frieze Of 55mm (SPD Special)									1							
1	2517012135-2	Small Right Row Unit W/Frieze Of 55mm (SPD Special)										1						
1	2517012133-6	Large Left Row Unit W/Frieze Of 55mm (SPD Special)											1					
1	2517012131-0	Small Left Row Unit W/Frieze Of 55mm (SPD Special)												1				
*2	5124010381-1	Complete Row Of Compactation Wheel Type "V" (SPD)	1															
3	5124010336-6	Complete Row Of Plain Coulter Disc Blade		1	1	1	1											
3	5124010337-4	Complete Row Of Rippled Coulter Disc Blade						1	1	1	1	1	1	1	1			
4	5252040056-7	Row Hitch	1															
5	6010601347-3	Fixation Shank Of Coulter Disc	1															
6	6010601280-9	Upper Lock Of Triple Spring	1															
7	5566010045-7	Small Rod Of Spring		1		1		1		1		1		1		1		1
7	5566010046-5	Rod Of Triple Spring (Small)			1		1		1		1		1		1		1	1
8	6010601172-1	Lower Support Of Rod (Small)		1		1		1		1		1		1		1		1
8	6010601195-0	Lower Support Of Rod (Large)			1		1		1		1		1		1		1	1
9	5024010059-0	Smooth Washer Ø16,5 X Ø29 X 1,21mm	1															
10	5432030173-7	Pin Ø5/8" X 46mm	1															
11	6020050101-5	Cotterpin 1/8" X 1"	1															
12	5068010081-8	Clamp Of 84 X 64 X R.1/2" W		3		3		3		3		3		3		3		3
13	6020010410-5	Pressure Washer 1/2" Media Industry		12	8	12	8	12	8	12	8	12	8	12	8	12	8	12
14	6020310756-3	Hexagonal Nut 1/2" 12F W Gr5 Ch.3/4" Height 11,00mm		2		2		2		2		2		2		2		2
15	5526010018-0	Separator Of Rows	2															
16	5124010822-8	Fertilizer/Seed Double Disc Right Row W/Frieze 40mm (Decentered) Special		1	1			1	1							1	1	
16	5124010823-6	Fertilizer/Seed Double Disc Left Row W/Frieze 40mm (Decentered) Special				1	1			1	1						1	1
16	5124010824-4	Fertilizer/Seed Double Disc Right Row W/Frieze 55mm (Decentered) Special									1	1						
16	5124010825-2	Fertilizer/Seed Double Disc Left Row W/Frieze 55mm (Decentered) Special										1	1			1	1	
17	5024010068-9	Smooth Washer Ø13,3 X Ø35,5 X 3,00mm	2															

• Table Table Row W/“V” Compactation Wheel (Frieze 40 and 55mm)

Item	Code	Product description	All																
				Large Right W/Plain Cutting Disc (40mm)	Small Right W/Plain Cutting Disc (40mm)	Large Left W/Plain Cutting Disc (40mm)	Small Left W/Plain Cutting Disc (40mm)	Large Right W/Rippled Cutting Disc (40mm)	Small Right W/Rippled Cutting Disc (40mm)	Large Left W/Rippled Cutting Disc (40mm)	Small Left W/Rippled Cutting Disc (40mm)	Large Right W/Rippled Cutting Disc (55mm)	Small Right W/Rippled Cutting Disc (55mm)	Large Left W/Rippled Cutting Disc (55mm)	Small Left W/Rippled Cutting Disc (55mm)	Large Right Without Cutting Disc (40mm)	Small Right Without Cutting Disc (40mm)	Large Left Without Cutting Disc (40mm)	Small Left Without Cutting Disc (40mm)
18	5024010075-1	Smooth Washer Ø10,3 X Ø25 X 2,00mm	2																
19	5352010048-9	Limiter Of Limiter Rim	1																
20	6020010406-7	Pressure Washer 3/8" Media Industry	2																
21	6020310754-7	Hexagonal Nut 1/2" 12F W Gr5 Ch.7/8" Height 12,00mm	10	8	10	8	10	8	10	8	10	8	10	8	10	8	10	8	
22	6020311160-9	French Head Bolt 3/8" X 1" 16F Unc1A Gr2 Rt	2																
23	6020310049-6	Hexagonal Head Bolt 1/2" X 2" 12F W Gr5 Rp	2																
24	6020310746-6	Hexagonal Nut 3/8" 16F Unc Gr5 Ch.9/16" Height 8,50mm	2																
25	5530014453-4	Left Support Of Scraper	1	1			1	1							1	1			
25	5530014452-6	Right Support Of Scraper				1	1			1	1	1	1				1	1	
25	5530016404-7	Scraper Right Support (Frieze Of 55mm)											1	1					
26	5040140058-0	Bar Of 2" X 1/2" X 554mm	2																
27	6020311061-0	Hexagonal Head Bolt 1/2" X 3.1/2" 12F W Gr5 Rp	4	2	4	2	4	2	4	2	4	2	4	2	4	2	4	2	
28	6020311079-3	Hexagonal Head Bolt 5/8" X 3.1/2" 11F Unc1A Gr5 Rp	2																
29	6020010412-1	Pressure Washer 5/8" Media Industry	3																
30	6020310760-1	Hexagonal Nut 5/8" 11F Unc Gr5 Ch.1.1/16" Height 15,00mm	3																
31	5080010539-8	Row Articulation Bushing	1																
32	6020311082-3	Hexagonal Head Bolt 5/8" X 5.1/2" 11F Unc1A Gr5 Rp	1																
33	6020310738-5	Hexagonal Nut 5/8" 11F Unc Gr5 Ch.1.1/16" Height 11,00mm	1																
34	5572012100-9	Square Beam Of50 X 800mm Complete	1																
35	6020130100-1	Grease Fitting 1/4"	1																
36	6020311065-3	Hexagonal Head Bolt 1/2" X 4" 12F W Gr5 Rp		4		4		4		4		4		4		4		4	
37	5040121052-8	Bar 38 X 130 X 12,5mm		1		1		1		1		1		1		1		1	
38	5204010508-5	Complete Left Hub W/Limiter Frieze 40mm(Plan Disc 15" X 4,00mm)		1	1			1	1							1	1		
38	5204010507-7	Complete Right Hub W/Limiter Frieze 40mm(Plan Disc 15" X 4,00mm)				1	1			1	1						1	1	
38	5204010510-7	Complete Left Hub W/Limiter Frieze 55mm(Plan Disc 15" X 4,00mm)										1	1						
38	5204010509-3	Complete Right Hub W/Limiter Frieze 55mm(Plan Disc 15" X 4,00mm)											1	1					
39	5204010159-4	Complete Right Hub For Limiter Ring(Coulter Disc Blade 15" X 4,00mm)		1	1			1	1			1	1			1	1		
39	5204010160-8	Complete Left Hub For Limiter Ring (Plain Disc 15" X 4,00mm)				1	1			1	1			1	1			1	
40	5024010024-7	Smooth Washer Ø20 X Ø38 X 1,21mm	6																
41	5096040002-7	Hub Internal Cap	2																

• Table Row W/“V” Compactation Wheel (Frieze 40 and 55mm)

Item	Code	Product description	All	Large Right W/Plain Cutting Disc (40mm)	Small Right W/Plain Cutting Disc (40mm)	Large Left W/Plain Cutting Disc (40mm)	Small Left W/Plain Cutting Disc (40mm)	Large Right W/Rippled Cutting Disc (40mm)	Small Right W/Rippled Cutting Disc (40mm)	Large Left W/Rippled Cutting Disc (40mm)	Small Left W/Rippled Cutting Disc (40mm)	Large Right W/Rippled Cutting Disc (55mm)	Small Right W/Rippled Cutting Disc (55mm)	Large Left W/Rippled Cutting Disc (55mm)	Small Left W/Rippled Cutting Disc (55mm)	Large Right Without Cutting Disc (40mm)	Small Right Without Cutting Disc (40mm)	Large Left Without Cutting Disc (40mm)	Small Left Without Cutting Disc (40mm)	
42	6020310054-2	Hexagonal Head Bolt 3/8" X 1" 16F Unc1A Gr2 Rt	1																	
43	5352030056-9	Internal Left Scraper Of Disc	1																	
44	5024010075-1	Smooth Washer Ø10,3 X Ø25 X 2,00mm	2																	
45	5352030057-7	Internal Right Scraper Of Disc	1																	
46	5530011577-1	Right Support Of Fertilizer And Seed Large Double Disc (Descitrado)		1	1			1	1			1	1			1	1			
46	5530011576-3	Left Support Of Large Fertilizer/Seed Large Double Disc				1	1			1	1			1	1			1	1	
47	6020010406-7	Pressure Washer 3/8" Media Industry	1																	
48	6020310746-6	Hexagonal Nut 3/8" 16F Unc Gr5 Ch.9/16" Height 8,50mm	1																	
49	5024010161-8	Smooth Washer Ø7 X Ø18 X 2,00mm	6																	
50	6020010004-5	Pressure Washer M8 Media	6																	
51	6020310454-8	Hexagonal Nut M8 X 1,25 Ma Cl8 Ch.13mm H.6,50mm	6																	
52	6020010122-0	Pressure Washer M6 Media	6																	
53	6020311257-5	Hexagonal Nut M6 X 1,00 Ma Cl8 Ch.10mm H.5,00mm	6																	
54	6020317573-9	Allen Bolt M8 X 1,25 X 25mm Cl12.9 RT	6																	
55	6020317441-4	Bolt M6 X 1,00 X 20mm Cl8.8 Rt	6																	
56	2857398003-6	Coulter Plain Disc Blade 15 X 4,00 Hc Rd 80mm + 6H Rd 8,7mm R=57,5mm + 6H Rd 6,9mm	1																	
57	5204010149-7	Left Disc Hub		1	1			1	1			1	1			1	1			
57	5204010150-0	Right Disc Hub				1	1			1	1			1	1			1	1	
58	6010600786-4	Deph Limiter Ring (40mm)		1	1	1	1	1	1	1	1					1	1	1	1	
58	6010600077-0	Deph Limiter Ring (55mm)										1	1	1	1					
59	5204010150-0	Right Disc Hub		1	1			1	1			1	1			1	1			
59	5204010149-7	Left Disc Hub				1	1			1	1			1	1			1	1	
60	2857398003-6	Coulter Plain Disc Blade 15 X 4,00 Hc Rd 80mm + 6H Rd 8,7mm R=57,5mm + 6H Rd 6,9mm	1																	
61	6020317573-9	Allen Bolt M8 X 1,25 X 25mm Cl12.9 RT	6																	
62	6020010004-5	Pressure Washer M8 Media	6																	
63	6020310454-8	Hexagonal Nut M8 X 1,25 Ma Cl8 Ch.13mm H.6,50mm	6																	
64	6020010289-7	Retaining Ring I-55	2																	
65	6020050101-5	Cotterpin 1/8" X 1"	2																	
66	5204010148-9	Hub Of Ø136 X 54mm	2																	
67	6020010095-9	Gascket Ring 047X 052X 2mm	2																	

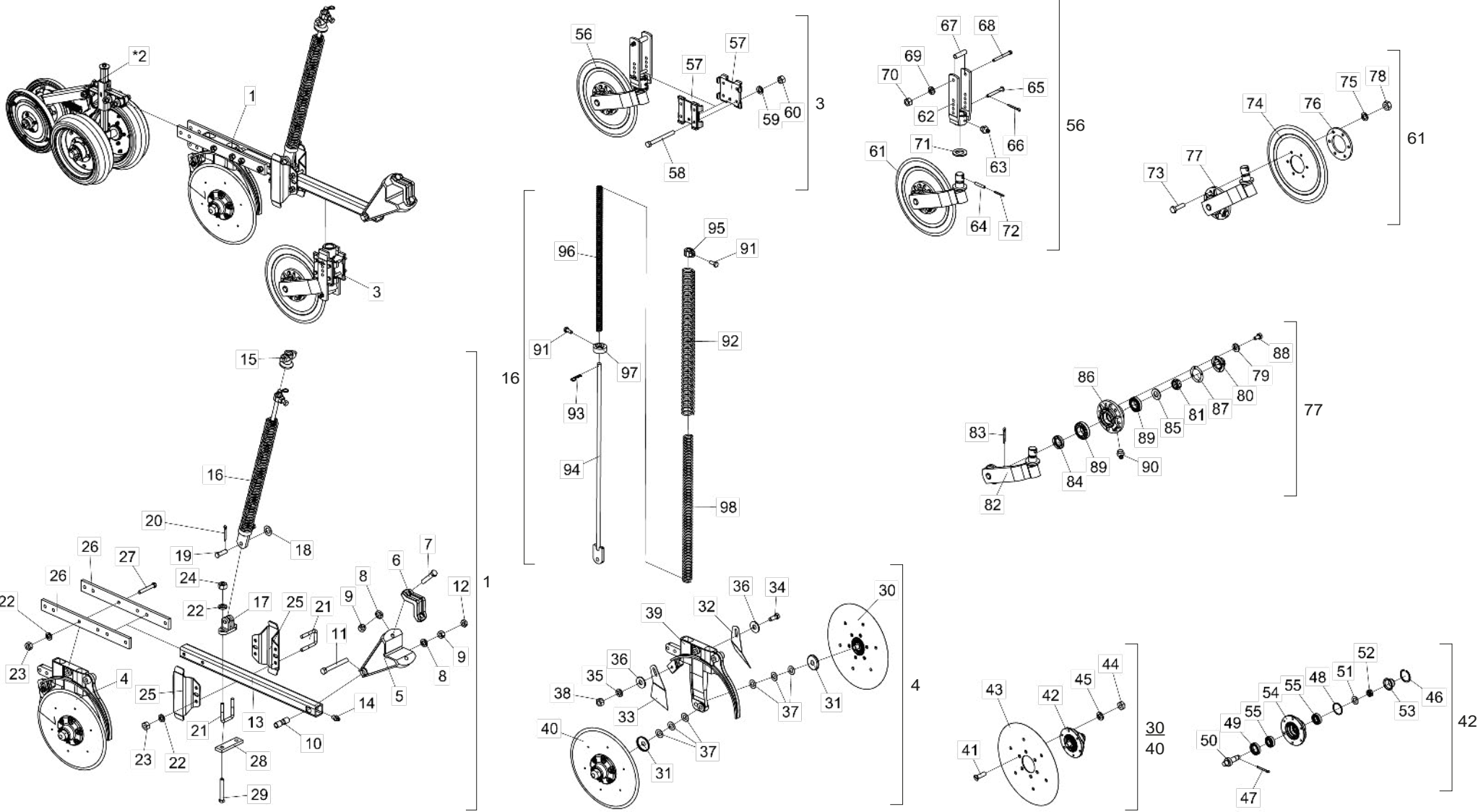
• Table Row W/“V” Compactation Wheel (Frieze 40 and 55mm)

Item	Code	Product description	All	Large Right W/Plain Cutting Disc (40mm)	Small Right W/Plain Cutting Disc (40mm)	Large Left W/Plain Cutting Disc (40mm)	Small Left W/Plain Cutting Disc (40mm)	Large Right W/Rippled Cutting Disc (40mm)	Small Right W/Rippled Cutting Disc (40mm)	Large Left W/Rippled Cutting Disc (40mm)	Small Left W/Rippled Cutting Disc (40mm)	Large Right W/Rippled Cutting Disc (55mm)	Small Right W/Rippled Cutting Disc (55mm)	Large Left W/Rippled Cutting Disc (55mm)	Small Left W/Rippled Cutting Disc (55mm)	Large Right Without Cutting Disc (40mm)	Small Right Without Cutting Disc (40mm)	Large Left Without Cutting Disc (40mm)	Small Left Without Cutting Disc (40mm)	
68	6020350268-3	Retainer Ø36,00 X Ø52,00 X 11,00mm	2																	
69	5232010076-3	Shaft Ø36 X 94mm With Left Thread	1																	
69	5232010077-1	Shaft Ø36 X 94mm With Right Thread	1																	
70	6020010513-6	Plain Washer Ø20 X Ø35 X 3mm	2																	
71	6020310797-0	Nut 3/4" 16F Unf Gr5 Ch.1.1/16" Height 13,00mm	2																	
72	6020350087-7	Bearing 30204	4																	
73	6020050641-6	Hub Cap	2																	
74	5124010102-9	Plain Coulter Disc Row		1	1	1	1													
74	5124010099-5	Rippled Coulter Disc Row						1	1	1	1	1	1	1	1					
75	6020311038-6	Hexagonal Head Bolt 3/8" X 4" 16F Unc1A Gr2 Rp		4	4	4	4	4	4	4	4	4	4	4	4					
76	6020010406-7	Pressure Washer 3/8" Media Industry		4	4	4	4	4	4	4	4	4	4	4	4					
77	6020310746-6	Hexagonal Nut 3/8" 16F Unc Gr5 Ch.9/16" Height 8,50mm		4	4	4	4	4	4	4	4	4	4	4	4					
78	5324050014-7	Complete Adjustment Support Guide		2	2	2	2	2	2	2	2	2	2	2	2					
79	5124010101-0	Row With Plain Coulter Disc		1	1	1	1													
79	5124010100-2	Row W/Rippled Coulter Disc Blade						1	1	1	1	1	1	1	1					
80	5530010406-0	Depth Regulator Support		1	1	1	1	1	1	1	1	1	1	1	1					
81	6020130108-7	Grease Fitting 1/8"		1	1	1	1	1	1	1	1	1	1	1	1					
82	6020310510-2	Heavy Elastic Pin Ø10 X 55mm		1	1	1	1	1	1	1	1	1	1	1	1					
83	5432010181-9	French Head Pin Ø11,20 X 90mm		1	1	1	1	1	1	1	1	1	1	1	1					
84	6020050101-5	Cotterpin 1/8" X 1"		1	1	1	1	1	1	1	1	1	1	1	1					
85	5080020787-5	Bushing Of Ø14 X Ø19 X 65mm		1	1	1	1	1	1	1	1	1	1	1	1					
86	6020311038-6	Hexagonal Head Bolt 3/8" X 4" 16F Unc1A Gr2 Rp		1	1	1	1	1	1	1	1	1	1	1	1					
87	6020010406-7	Pressure Washer 3/8" Media Industry		1	1	1	1	1	1	1	1	1	1	1	1					
88	6020310746-6	Hexagonal Nut 3/8" 16F Unc Gr5 Ch.9/16" Height 8,50mm		1	1	1	1	1	1	1	1	1	1	1	1					
89	5024010107-3	Smooth Washer Ø36 X Ø61 X 5,00mm		1	1	1	1	1	1	1	1	1	1	1	1					
90	6020310472-6	Heavy Elastic Pin Ø6 X 55mm		1	1	1	1	1	1	1	1	1	1	1	1					
91	6020310980-9	Hexagonal Head Bolt M10 X 1,50 X 40mm Cl8.8 Rt		6	6	6	6	6	6	6	6	6	6	6	6					
92	2855397388-2	Coulter Plain Disc Blade 14 X 4,00 Hc Rd 80mm + 6H Rd 10,3mm D=115mm Doble Bevel		1	1	1	1													
92	3255397388-0	Rippled Plain Disc Blade 14 X 4,00 Hc Rd 80mm + 6H Rd 10,3mm D=115mm Doble Bevel						1	1	1	1	1	1	1	1					
93	6020010394-0	Pressure Washer M10 Media		6	6	6	6	6	6	6	6	6	6	6	6					

• Table Row W/“V” Compactation Wheel (Frieze 40 and 55mm)

Item	Code	Product description	All															
			Large Right W/Plain Cutting Disc (40mm)	Small Right W/Plain Cutting Disc (40mm)	Large Left W/Plain Cutting Disc (40mm)	Small Left W/Plain Cutting Disc (40mm)	Large Right W/Rippled Cutting Disc (40mm)	Small Right W/Rippled Cutting Disc (40mm)	Large Left W/Rippled Cutting Disc (40mm)	Small Left W/Rippled Cutting Disc (40mm)	Large Right W/Rippled Cutting Disc (55mm)	Small Right W/Rippled Cutting Disc (55mm)	Large Left W/Rippled Cutting Disc (55mm)	Small Left W/Rippled Cutting Disc (55mm)	Large Right Without Cutting Disc (40mm)	Small Right Without Cutting Disc (40mm)	Large Left Without Cutting Disc (40mm)	Small Left Without Cutting Disc (40mm)
94	5284010001-4	Flange Of Disc Hub	1	1	1	1	1	1	1	1	1	1	1	1	1	1	1	1
95	5530010405-2	Support Of Disc W/Hub	1	1	1	1	1	1	1	1	1	1	1	1	1	1	1	1
96	6020310822-5	Hexagonal Nut M10 X 1,50 Ma Cl8 Ch.17mm H.8,00mm	6	6	6	6	6	6	6	6	6	6	6	6	6	6	6	6
97	6020130108-7	Grease Fitting 1/8"	1	1	1	1	1	1	1	1	1	1	1	1	1	1	1	1
98	6020050640-8	Hub Cap	1	1	1	1	1	1	1	1	1	1	1	1	1	1	1	1
99	6020310797-0	Nut 3/4" 16F Unf Gr5 Ch.1.1/16" Height 13,00mm	1	1	1	1	1	1	1	1	1	1	1	1	1	1	1	1
100	5530160187-4	Support W/Shaft Of Disc	1	1	1	1	1	1	1	1	1	1	1	1	1	1	1	1
101	6020050101-5	Cotterpin 1/8" X 1"	1	1	1	1	1	1	1	1	1	1	1	1	1	1	1	1
102	6020350244-6	Retainer Ø35,00 X Ø58,00 X 10,00mm	1	1	1	1	1	1	1	1	1	1	1	1	1	1	1	1
103	5024010258-4	Smooth Washer Ø20 X Ø38,5 X 3,00mm	1	1	1	1	1	1	1	1	1	1	1	1	1	1	1	1
104	5204010090-3	Disc Hub	1	1	1	1	1	1	1	1	1	1	1	1	1	1	1	1
105	6020190098-3	Gascket Ø50,3 X Ø73,5 X 1/64"	1	1	1	1	1	1	1	1	1	1	1	1	1	1	1	1
106	6020010402-4	Pressure Washer 1/4" Media Industry	4	4	4	4	4	4	4	4	4	4	4	4	4	4	4	4
107	6020311000-9	Hexagonal Head Bolt 1/4" X 1/2" 20F Unc1A Gr5 Rt	4	4	4	4	4	4	4	4	4	4	4	4	4	4	4	4
108	6020350077-0	Bearing 44610/49	2	2	2	2	2	2	2	2	2	2	2	2	2	2	2	2
109	6020310349-5	Hexagonal Head Bolt M12 X 1,75 X 30mm Cl8.8 R Wth Point	2															
110	6020250437-2	Helical Spring Ø43,5 X Ø54,5 X 700mm External	1		1		1		1		1		1		1		1	1
110	6020250267-1	Helical Spring Ø43,5 X Ø54,5 X 600mm External		1		1		1		1		1		1		1	1	1
111	6020390294-0	Lock Nma - Type "R" Ø3,5 X 67mm(Special)	1															
112	5566040144-9	Rod Of Spring De 935,5mm	1		1		1		1		1		1		1		1	1
112	5566040141-4	Rod Spring		1		1		1		1		1		1		1	1	1
113	5080011663-2	Fixation Support Of Spring Rod	1															
114	6020250435-6	Helical Spring Ø17,5 X Ø25,5 X 700mm Internal	1		1		1		1		1		1		1		1	1
114	6020250275-2	Helical Spring Ø17,5 X Ø25,5 X 600mm Internal		1		1		1		1		1		1		1	1	1
115	5530016364-4	Lower Support Of Triple Spring	1															
116	6020250436-4	Helical Spring Ø30,5 X Ø41,5 X 700mm	1		1		1		1		1		1		1		1	1
116	6020250273-6	Helical Spring Ø30,5 X Ø41,5 X 600mm		1		1		1		1		1		1		1	1	1

• Row W/Rippled Cutting Disc W/Triple "V" Compaction Wheel "V"



* Item 2 - See page 94

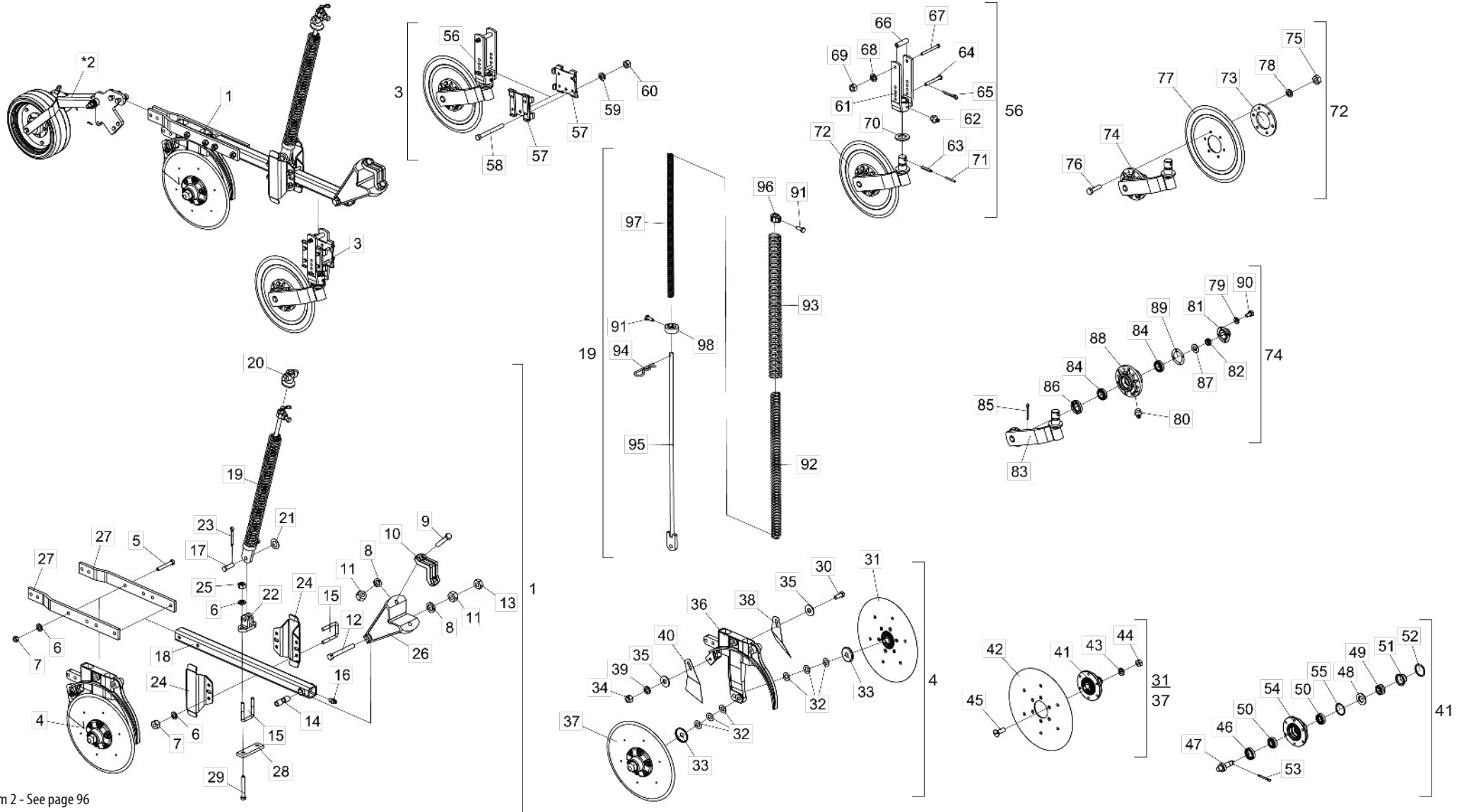
• Table Row W/Rippled Cutting Disc W/Triple "V" Compaction Wheel "V"

Item	Code	Product description	All	Large Right	Small Right	Large Left	Small Left	Item	Code	Product description	All	Large Right	Small Right	Large Left	Small Left
1	2517010847-0	Large Right Row Unit W/Straight Bar (SPD-E)		1				28	5040121052-8	Bar 38 X 130 X 12,5mm			1		1
1	2517010845-3	Small Right Row Unit W/Straight Bar (SPD-E)			1			29	6020311065-3	Hexagonal Head Bolt 1/2" X 4" 12F W Gr5 Rp			4		4
1	2517010846-1	Large Left Row Unit W/Straight Bar (SPD-E)				1		30	5204010160-8	Complete Left Hub For Limiter Ring (Plain Disc 15" X 4,00mm)	1				
1	2517010844-5	Small Left Row Unit W/Straight Bar (SPD-E)					1	31	5096040002-7	Hub Internal Cap	2				
*2	5124010414-1	Row Of Complete Depth Wheel And Wheel Type "V" (Excentric)	1					32	5352030056-9	Internal Left Scraper Of Disc	1				
3	5124010337-4	Complete Row Of Rippled Coulter Disc Blade	1					33	5352030057-7	Internal Right Scraper Of Disc	1				
4	5124010372-2	Complete Row Of Double Disc Fertilizer/Seed (Excentric) Special		1	1			34	6020310054-2	Hexagonal Head Bolt 3/8" X 1" 16F Unc1A Gr2 Rt	1				
4	5124010373-0	Left Row Of Fertilizer/Seed Double Disc (Excentric) Special				1	1	35	6020010406-7	Pressure Washer 3/8" Media Industry	1				
5	5252040056-7	Row Hitch	1					36	5024010075-1	Smooth Washer Ø10,3 X Ø25 X 2,00mm	2				
6	6010601347-3	Fixation Shank Of Coulter Disc	1					37	5024010024-7	Smooth Washer Ø20 X Ø38 X 1,21mm	6				
7	6020311079-3	Hexagonal Head Bolt 5/8" X 3.1/2" 11F Unc1A Gr5 Rp	2					38	6020310746-6	Hexagonal Nut 3/8" 16F Unc Gr5 Ch.9/16" Height 8,50mm	1				
8	6020010412-1	Pressure Washer 5/8" Media Industry	3					39	5530011577-1	Right Support Of Fertilizer And Seed Large Double Disc (Descentrado)	1	1			
9	6020310760-1	Hexagonal Nut 5/8" 11F Unc Gr5 Ch.1.1/16" Height 15,00mm	3					39	5530011576-3	Left Support Of Large Fertilizer/Seed Large Double Disc			1	1	
10	5080010539-8	Row Articulation Bushing	1					40	5204010159-4	Complete Right Hub For Limiter Ring(Coulter Disc Blade 15" X 4,00mm)	1				
11	6020311082-3	Hexagonal Head Bolt 5/8" X 5.1/2" 11F Unc1A Gr5 Rp	1					41	6020310235-9	Bolt M8 X 1,25 X 25mm Cl8.8 Rt	12				
12	6020310738-5	Hexagonal Nut 5/8" 11F Unc Gr5 Ch.1.1/16" Height 11,00mm	1					42	5204010150-0	Right Disc Hub	1				
13	5572012100-9	Square Beam Of50 X 800mm Complete	1					42	5204010149-7	Left Disc Hub	1				
14	6020130100-1	Grease Fitting 1/4"	1					43	2857398003-6	Coulter Plain Disc Blade 15 X 4,00 Hc Rd 80mm + 6H Rd 8,7mm R=57,5mm + 6H Rd 6,9mm	2				
15	6010601280-9	Upper Lock Of Triple Spring	1					44	6020310454-8	Hexagonal Nut M8 X 1,25 Ma Cl8 Ch.13mm H.6,50mm	12				
16	5566010045-7	Small Rod Of Spring		1	1			45	6020010004-5	Pressure Washer M8 Media	12				
16	5566010046-5	Rod Of Triple Spring (Small)			1	1		46	6020010289-7	Retaining Ring I-55	2				
17	6010601172-1	Lower Support Of Rod (Small)		1	1			47	6020050101-5	Cotterpin 1/8" X 1"	2				
17	6010601195-0	Lower Support Of Rod (Large)			1	1		48	6020010095-9	Gascket Ring Ø47X Ø52X 2mm	2				
18	5024010059-0	Smooth Washer Ø16,5 X Ø29 X 1,21mm	1					49	6020350268-3	Retainer Ø36,00 X Ø52,00 X 11,00mm	2				
19	5432030173-7	Pin Ø5/8" X 46mm	1					50	5232010076-3	Shaft Ø36 X 94mm With Left Thread	1				
20	6020050101-5	Cotterpin 1/8" X 1"	1					50	5232010077-1	Shaft Ø36 X 94mm With Right Thread	1				
21	5068010081-8	Clamp Of 84 X 64 X R.1/2" W		3	3			51	6020010513-6	Plain Washer Ø20 X Ø35 X 3mm	2				
22	6020010410-5	Pressure Washer 1/2" Media Industry		10	6	10	6	52	6020310797-0	Nut 3/4" 16F Unf Gr5 Ch.1.1/16" Height 13,00mm	2				
23	6020310754-7	Hexagonal Nut 1/2" 12F W Gr5 Ch.7/8" Height 12,00mm		8	6	8	6	53	6020050641-6	Hub Cap	2				
24	6020310756-3	Hexagonal Nut 1/2" 12F W Gr5 Ch.3/4" Height 11,00mm		2	2			54	5204010148-9	Hub Of Ø136 X 54mm	2				
25	5526010018-0	Separator Of Rowas	2					55	6020350087-7	Bearing 30204	4				
26	5040140064-5	Bar Of 2" X 1/2" X 518mm	2					56	5124010099-5	Rippled Coulter Disc Row	1				
27	6020311061-0	Hexagonal Head Bolt 1/2" X 3.1/2" 12F W Gr5 Rp		4	2	4	2	57	5324050014-7	Complete Adjustment Support Guide	2				

• Table Row W/Rippled Cutting Disc W/Triple "V" Compaction Wheel "V"

Item	Code	Product description	All	Large Right	Small Right	Large Left	Small Left	Item	Code	Product description	All	Large Right	Small Right	Large Left	Small Left
58	6020311038-6	Hexagonal Head Bolt 3/8" X 4" 16F Unc1A Gr2 Rp	4					91	6020310349-5	Hexagonal Head Bolt M12 X 1,75 X 30mm Cl8.8 R Wth Point	2				
59	6020010406-7	Pressure Washer 3/8" Media Industry	4					92	6020250437-2	Helical Spring Ø43,5 X Ø54,5 X 700mm External		1		1	
60	6020310746-6	Hexagonal Nut 3/8" 16F Unc Gr5 Ch.9/16" Height 8,50mm	4					92	6020250267-1	Helical Spring Ø43,5 X Ø54,5 X 600mm External			1		1
61	5124010100-2	Row W/Rippled Coulter Disc Blade	1					93	6020390294-0	Lock Nma - Type "R" Ø3,5 X 67mm(Special)	1				
62	5530010406-0	Depth Regulator Support	1					94	5566040144-9	Rod Of Spring De 935,5mm		1		1	
63	6020130108-7	Grease Fitting 1/8"	1					94	5566040141-4	Rod Spring			1		1
64	6020310510-2	Heavy Elastic Pin Ø10 X 55mm	1					95	5080011663-2	Fixation Support Of Spring Rod	1				
65	5432010181-9	French Head Pin Ø11,20 X 90mm	1					96	6020250435-6	Helical Spring Ø17,5 X Ø25,5 X 700mm Internal		1		1	
66	6020050101-5	Cotterpin 1/8" X 1"	1					96	6020250275-2	Helical Spring Ø17,5 X Ø25,5 X 600mm Internal			1		1
67	5080020787-5	Bushing Of Ø14 X Ø19 X 65mm	1					97	5530016364-4	Lower Support Of Triple Spring	1				
68	6020311038-6	Hexagonal Head Bolt 3/8" X 4" 16F Unc1A Gr2 Rp	1					98	6020250436-4	Helical Spring Ø30,5 X Ø41,5 X 700mm		1		1	
69	6020010406-7	Pressure Washer 3/8" Media Industry	1					98	6020250273-6	Helical Spring Ø30,5 X Ø41,5 X 600mm			1		1
70	6020310746-6	Hexagonal Nut 3/8" 16F Unc Gr5 Ch.9/16" Height 8,50mm	1												
71	5024010107-3	Smooth Washer Ø36 X Ø61 X 5,00mm	1												
72	6020310472-6	Heavy Elastic Pin Ø6 X 55mm	1												
73	6020310980-9	Hexagonal Head Bolt M10 X 1,50 X 40mm Cl8.8 Rt	6												
74	3255397388-0	Rippled Plain Disc Blade 14 X 4,00 Hc Rd 80mm + 6H Rd 10,3mm D=115mm Doble Bevel	1												
75	6020010394-0	Pressure Washer M10 Media	6												
76	5284010001-4	Flange Of Disc Hub	1												
77	5530010405-2	Support Of Disc W/Hub	1												
78	6020310822-5	Hexagonal Nut M10 X 1,50 Ma Cl8 Ch.17mm H.8,00mm	6												
79	6020010402-4	Pressure Washer 1/4" Media Industry	4												
80	6020050640-8	Hub Cap	1												
81	6020310797-0	Nut 3/4" 16F Unf Gr5 Ch.1.1/16" Height 13,00mm	1												
82	5530160187-4	Support W/Shaft Of Disc	1												
83	6020050101-5	Cotterpin 1/8" X 1"	1												
84	6020350244-6	Retainer Ø35,00 X Ø58,00 X 10,00mm	1												
85	5024010258-4	Smooth Washer Ø20 X Ø38,5 X 3,00mm	1												
86	5204010090-3	Disc Hub	1												
87	6020190098-3	Gascket Ø50,3 X Ø73,5 X 1/64"	1												
88	6020311000-9	Hexagonal Head Bolt 1/4" X 1/2" 20F Unc1A Gr5 Rt	4												
89	6020350077-0	Bearing 44610/49	2												
90	6020130108-7	Grease Fitting 1/8"	1												

• Row W/Concave Compactation Wheel



* Item 2 - See page 96

• Table Row W/Concave Compaction Wheel

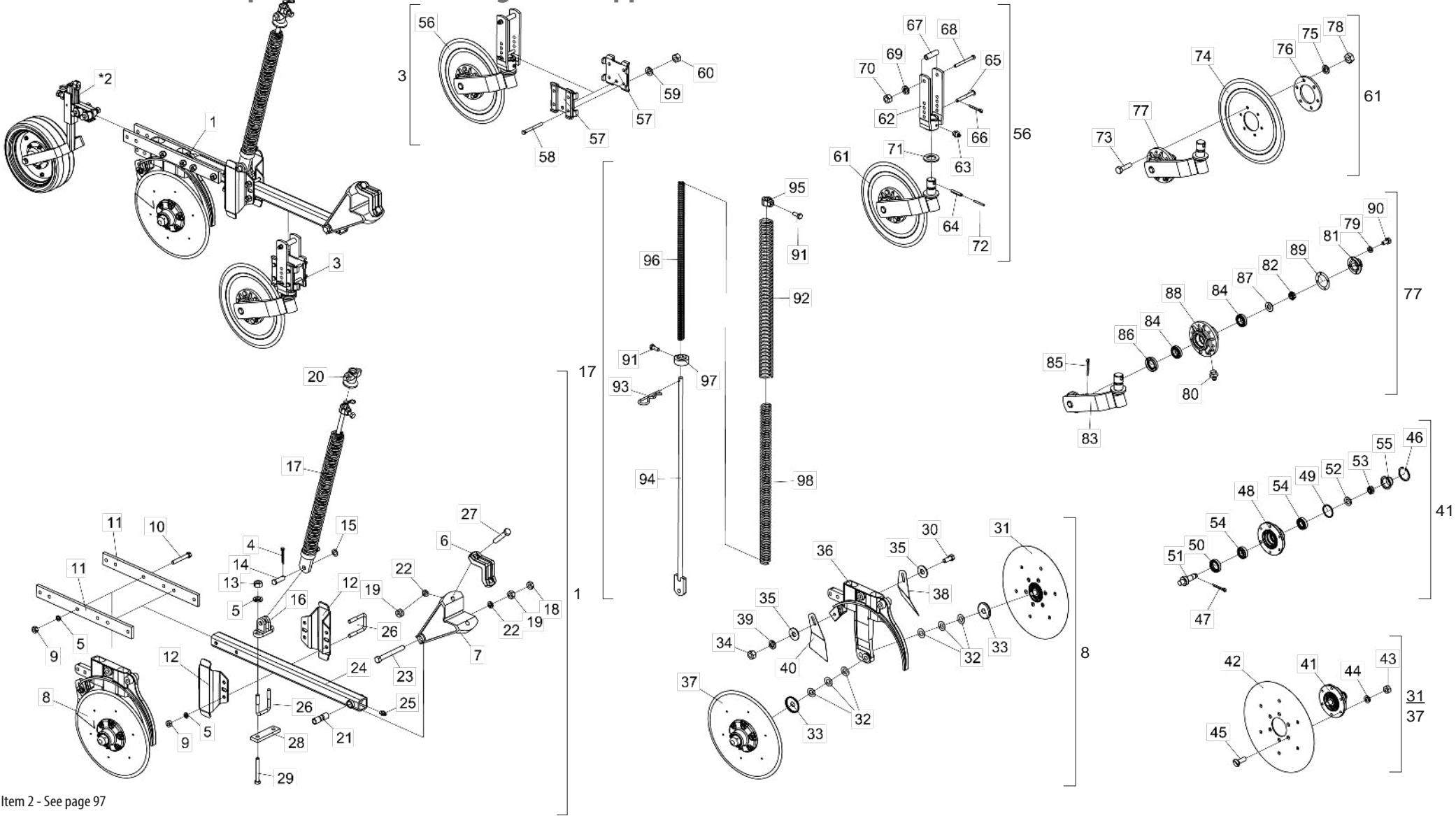
Item	Code	Product description	All									Item	Code	Product description	All																								
				Large Right W/Cutting Disc	Small Right W/Cutting Disc	Large Left W/Cutting Disc	Small Left W/Cutting Disc	Large Right Without Cutting Disc	Small Right Without Cutting Disc	Large Left Without Cutting Disc	Small Left Without Cutting Disc					Large Right W/Cutting Disc	Small Right W/Cutting Disc	Large Left W/Cutting Disc	Small Left W/Cutting Disc	Large Right Without Cutting Disc	Small Right Without Cutting Disc	Large Left Without Cutting Disc	Small Left Without Cutting Disc																
1	2517010625-6	Large Right Row Unit (SPD Special)	1										23	6020050101-5	Cotterpin 1/8" X 1"	1																							
1	2517010623-0	Small Right Row Unit (SPD Special)		1						1			24	5526010018-0	Separator Of Rowas	2																							
1	2517010624-8	Large Left Row Unit (SPD Special)				1						1	25	6020310756-3	Hexagonal Nut 1/2" 12F W Gr5 Ch.3/4" Height 11,00mm		2		2																				
1	2517010622-1	Small Left Row Unit (SPD Special)						1				1	26	5252040056-7	Row Hitch	1																							
*2	5124010378-1	Complete Row Of Concave Compaction Wheel (SPD)	1										27	5040140058-0	Bar Of 2" X 1/2" X 554mm	2																							
3	5124010337-4	Complete Row Of Rippled Coulter Disc Blade		1	1	1	1						28	5040121052-8	Bar 38 X 130 X 12,5mm				1		1																		
4	5124010372-2	Complete Row Of Double Disc Fertilizer/Seed (Excentric) Special		1	1			1	1				29	6020311065-3	Hexagonal Head Bolt 1/2" X 4" 12F W Gr5 Rp						4		4																
4	5124010373-0	Left Row Of Fertilizer/Seed Double Disc (Excentric) Special				1	1						30	6020310054-2	Hexagonal Head Bolt 3/8" X 1" 16F Unc1A Gr2 Rt	1																							
5	6020311061-0	Hexagonal Head Bolt 1/2" X 3.1/2" 12F W Gr5 Rp		4	2	4	2	4	2	4	2		31	5204010160-8	Complete Left Hub For Limiter Ring (Plain Disc 15" X 4,00mm)	1																							
6	6020010410-5	Pressure Washer 1/2" Media Industry		10	6			6	10	6			32	5024010024-7	Smooth Washer Ø20 X Ø38 X 1,21mm	6																							
7	6020310754-7	Hexagonal Nut 1/2" 12F W Gr5 Ch.7/8" Height 12,00mm		8	6	18	6	8	6	18	6		33	5096040002-7	Hub Internal Cap	2																							
8	6020010412-1	Pressure Washer 5/8" Media Industry		3									34	6020310746-6	Hexagonal Nut 3/8" 16F Unc Gr5 Ch.9/16" Height 8,50mm	1																							
9	6020311079-3	Hexagonal Head Bolt 5/8" X 3.1/2" 11F Unc1A Gr5 Rp		2									35	5024010075-1	Smooth Washer Ø10,3 X Ø25 X 2,00mm	2																							
10	6010601347-3	Fixation Shank Of Coulter Disc		1									36	5530011577-1	Right Support Of Fertilizer And Seed Large Double Disc (Descentrado)		1	1						1	1														
11	6020310760-1	Hexagonal Nut 5/8" 11F Unc Gr5 Ch.1.1/16" Height 15,00mm		3									36	5530011576-3	Left Support Of Large Fertilizer/Seed Large Double Disc						1	1																	
12	6020311082-3	Hexagonal Head Bolt 5/8" X 5.1/2" 11F Unc1A Gr5 Rp		1									37	5204010159-4	Complete Right Hub For Limiter Ring(Coulter Disc Blade 15" X 4,00mm)	1																							
13	6020310738-5	Hexagonal Nut 5/8" 11F Unc Gr5 Ch.1.1/16" Height 11,00mm		1									38	5352030056-9	Internal Left Scraper Of Disc	1																							
14	5080010539-8	Row Articulation Bushing		1									39	6020010406-7	Pressure Washer 3/8" Media Industry	1																							
15	5068010081-8	Clamp Of 84 X 64 X R.1/2" W		3				3					40	5352030057-7	Internal Right Scraper Of Disc	1																							
16	6020130100-1	Grease Fitting 1/4"		1									41	5204010149-7	Left Disc Hub	1																							
17	5432030173-7	Pin Ø5/8" X 46mm		1									41	5204010150-0	Right Disc Hub	1																							
18	5572012100-9	Square Beam Of50 X 800mm Complete		1									42	2857398003-6	Coulter Plain Disc Blade 15 X 4,00 Hc Rd 80mm + 6H Rd 8,7mm	2																							
19	5566010045-7	Small Rod Of Spring		1				1					43	6020010004-5	Pressure Washer M8 Media	12																							
19	5566010046-5	Rod Of Triple Spring (Small)				1				1			44	6020310454-8	Hexagonal Nut M8 X 1,25 Ma Cl8 Ch.13mm H.6,50mm	12																							
20	6010601280-9	Upper Lock Of Triple Spring		1									45	6020310235-9	Bolt M8 X 1,25 X 25mm Cl8.8 Rt	12																							
21	5024010059-0	Smooth Washer Ø16,5 X Ø29 X 1,21mm		1									46	6020350268-3	Retainer Ø36,00 X Ø52,00 X 11,00mm	2																							
22	6010601172-1	Lower Support Of Rod (Small)		1				1					47	5232010076-3	Shaft Ø36 X 94mm With Left Thread	1																							
22	6010601195-0	Lower Support Of Rod (Large)				1				1			47	5232010077-1	Shaft Ø36 X 94mm With Right Thread	1																							

• Table Row W/Concave Compaction Wheel

Item	Code	Product description	All	Cutting Disc				Without Cutting Disc					
				Large Right W/	Small Right W/	Large Left W/	Small Left W/	Large Right Without	Small Right Without	Large Left Without	Small Left Without		
48	6020010513-6	Plain Washer Ø20 X Ø35 X 3mm	2										
49	6020310797-0	Nut 3/4" 16F Unf Gr5 Ch.1.1/16" Height 13,00mm	2										
50	6020350087-7	Bearing 30204	4										
51	6020050641-6	Hub Cap	2										
52	6020010289-7	Retaining Ring I-55	2										
53	6020050101-5	Cotterpin 1/8" X 1"	2										
54	5204010148-9	Hub Of Ø136 X 54mm	2										
55	6020010095-9	Gasket Ring 047X 052X 2mm	2										
56	5124010099-5	Rippled Coulter Disc Row		1	1	1	1						
57	5324050014-7	Complete Adjustment Support Guide		2	2	2	2						
58	6020311038-6	Hexagonal Head Bolt 3/8" X 4" 16F Unc1A Gr2 Rp		4	4	4	4						
59	6020010406-7	Pressure Washer 3/8" Media Industry		4	4	4	4						
60	6020310746-6	Hexagonal Nut 3/8" 16F Unc Gr5 Ch.9/16" Height 8,50mm		4	4	4	4						
61	5530010406-0	Depth Regulator Support		1	1	1	1						
62	6020130108-7	Grease Fitting 1/8"		1	1	1	1						
63	6020310510-2	Heavy Elastic Pin Ø10 X 55mm		1	1	1	1						
64	5432010181-9	French Head Pin Ø11,20 X 90mm		1	1	1	1						
65	6020050101-5	Cotterpin 1/8" X 1"		1	1	1	1						
66	5080020787-5	Bushing Of Ø14 X Ø19 X 65mm		1	1	1	1						
67	6020311038-6	Hexagonal Head Bolt 3/8" X 4" 16F Unc1A Gr2 Rp		1	1	1	1						
68	6020010406-7	Pressure Washer 3/8" Media Industry		1	1	1	1						
69	6020310746-6	Hexagonal Nut 3/8" 16F Unc Gr5 Ch.9/16" Height 8,50mm		1	1	1	1						
70	5024010107-3	Smooth Washer Ø36 X Ø61 X 5,00mm		1	1	1	1						
71	6020310472-6	Heavy Elastic Pin Ø6 X 55mm		1	1	1	1						
72	5124010100-2	Row W/Rippled Coulter Disc Blade		1	1	1	1						
73	5284010001-4	Flange Of Disc Hub		1	1	1	1						
74	5530010405-2	Support Of Disc W/Hub		1	1	1	1						
75	6020310822-5	Hexagonal Nut M10 X 1,50 Ma Cl8 Ch.17mm H.8,00mm		6	6	6	6						

Item	Code	Product description	All	Cutting Disc				Without Cutting Disc					
				Large Right W/	Small Right W/	Large Left W/	Small Left W/	Large Right Without	Small Right Without	Large Left Without	Small Left Without		
76	6020310980-9	Hexagonal Head Bolt M10 X 1,50 X 40mm Cl8.8 Rt		6	6	6	6						
77	3255397388-0	Rippled Plain Disc Blade 14 X 4,00 Hc Rd 80mm + 6H Rd 10,3mm		1	1	1	1						
78	6020010394-0	Pressure Washer M10 Media		6	6	6	6						
79	6020010402-4	Pressure Washer 1/4" Media Industry		4	4	4	4						
80	6020130108-7	Grease Fitting 1/8"		1	1	1	1						
81	6020050640-8	Hub Cap		1	1	1	1						
82	6020310797-0	Nut 3/4" 16F Unf Gr5 Ch.1.1/16" Height 13,00mm		1	1	1	1						
83	5530160187-4	Support W/Shaft Of Disc		1	1	1	1						
84	6020350077-0	Bearing 44610/49		2	2	2	2						
85	6020050101-5	Cotterpin 1/8" X 1"		1	1	1	1						
86	6020350244-6	Retainer Ø35,00 X Ø58,00 X 10,00mm		1	1	1	1						
87	5024010258-4	Smooth Washer Ø20 X Ø38,5 X 3,00mm		1	1	1	1						
88	5204010090-3	Disc Hub		1	1	1	1						
89	6020190098-3	Gasket Ø50,3 X Ø73,5 X 1/64"		1	1	1	1						
90	6020311000-9	Hexagonal Head Bolt 1/4" X 1/2" 20F Unc1A Gr5 Rt		4	4	4	4						
91	6020310349-5	Hexagonal Head Bolt M12 X 1,75 X 30mm Cl8.8 R Wth Point	2										
92	6020250436-4	Helical Spring Ø30,5 X Ø41,5 X 700mm		1		1			1		1		1
92	6020250273-6	Helical Spring Ø30,5 X Ø41,5 X 600mm				1			1		1		1
93	6020250437-2	Helical Spring Ø43,5 X Ø54,5 X 700mm External		1		1			1		1		1
93	6020250267-1	Helical Spring Ø43,5 X Ø54,5 X 600mm External				1			1		1		1
94	6020390294-0	Lock Nma - Type "R" Ø3,5 X 67mm(Special)	1										
95	5566040144-9	Rod Of Spring De 935,5mm		1		1			1		1		1
95	5566040141-4	Rod Spring				1			1		1		1
96	5080011663-2	Fixation Support Of Spring Rod	1										
97	6020250435-6	Helical Spring Ø17,5 X Ø25,5 X 700mm Internal		1		1			1		1		1
97	6020250275-2	Helical Spring Ø17,5 X Ø25,5 X 600mm Internal				1			1		1		1
98	5530016364-4	Lower Support Of Triple Spring	1										

• Row W/Concave Compactation Wheel W/Regulator Support



* Item 2 - See page 97

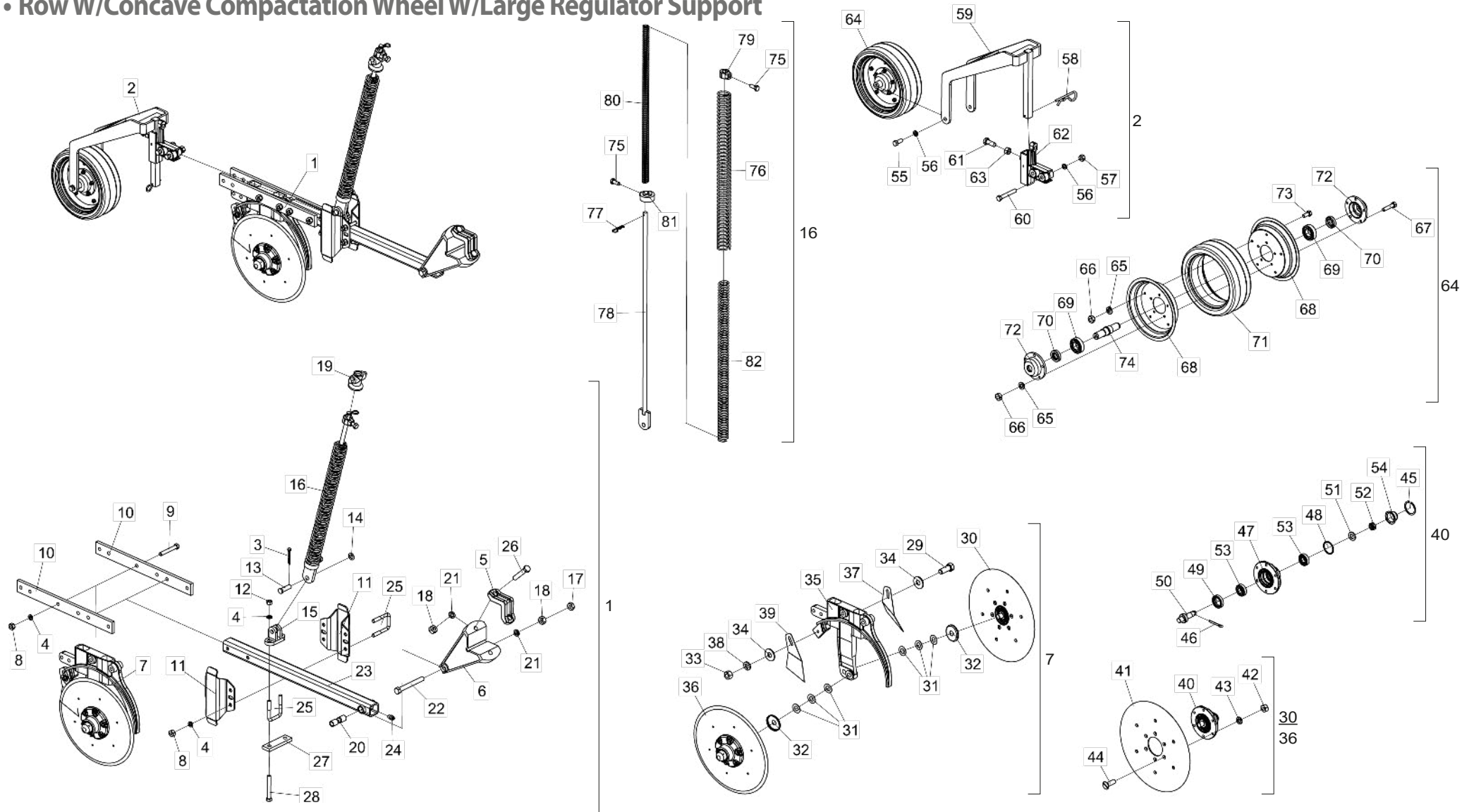
• Table Row W/Concave Compactation Wheel W/Regulator Support

Item	Code	Product description	All					Large Right Without Cutting Disc	Small Right Without Cutting Disc	Large Left Without Cutting Disc	Small Left Without Cutting Disc
				Large Right W/Cutting Disc	Small Right W/Cutting Disc	Large Left W/Cutting Disc	Small Left W/Cutting Disc				
1	2517010847-0	Large Right Row Unit W/Straight Bar (SPD-E)	1				1				
1	2517010845-3	Small Right Row Unit W/Straight Bar (SPD-E)		1				1			
1	2517010846-1	Large Left Row Unit W/Straight Bar (SPD-E)			1				1		
1	2517010844-5	Small Left Row Unit W/Straight Bar (SPD-E)				1				1	
*2	5124010108-8	Row Of Concave Depth Wheel With Regulating Support	1								
3	5124010337-4	Complete Row Of Rippled Coulter Disc Blade	1	1	1	1					
4	6020050101-5	Cotterpin 1/8" X 1"	1								
5	6020010410-5	Pressure Washer 1/2" Media Industry	10	6	10	6	10	6	10	6	
6	6010601347-3	Fixation Shank Of Coulter Disc	1								
7	5252040056-7	Row Hitch	1								
8	5124010372-2	Complete Row Of Double Disc Fertilizer/Seed (Excentric) Special	1	1			1	1			
8	5124010373-0	Left Row Of Fertilizer/Seed Double Disc (Excentric) Special			1	1			1	1	
9	6020310754-7	Hexagonal Nut 1/2" 12F W Gr5 Ch.7/8" Height 12,00mm	8	6	8	6	8	6	8	6	
10	6020311065-3	Hexagonal Head Bolt 1/2" X 4" 12F W Gr5 Rp	4	2	4	2	4	2	4	2	
11	5040140064-5	Bar Of 2" X 1/2" X 518mm	2								
12	5526010018-0	Separator Of Rows	2								
13	6020310756-3	Hexagonal Nut 1/2" 12F W Gr5 Ch.3/4" Height 11,00mm	2		2		2		2		
14	5432030173-7	Pin Ø5/8" X 46mm	1								
15	5024010059-0	Smooth Washer Ø16,5 X Ø29 X 1,21mm	1								
16	6010601172-1	Lower Support Of Rod (Small)	1		1		1		1		
16	6010601195-0	Lower Support Of Rod (Large)		1		1		1		1	
17	5566010045-7	Small Rod Of Spring	1		1		1		1		
17	5566010046-5	Rod Of Triple Spring (Small)		1		1		1		1	
18	6020310738-5	Hexagonal Nut 5/8" 11F Unc Gr5 Ch.1.1/16" Height 11,00mm	1								
19	6020310760-1	Hexagonal Nut 5/8" 11F Unc Gr5 Ch.1.1/16" Height 15,00mm	3								
20	6010601280-9	Upper Lock Of Triple Spring	1								
21	5080010539-8	Row Articulation Bushing	1								
22	6020010412-1	Pressure Washer 5/8" Media Industry	3								
23	6020311082-3	Hexagonal Head Bolt 5/8" X 5.1/2" 11F Unc1A Gr5 Rp	1								
24	5572012100-9	Square Beam Of 50 X 800mm Complete	1								
25	6020130100-1	Grease Fitting 1/4"	1								
26	5068010081-8	Clamp Of 84 X 64 X R.1/2" W	3		3		3		3		
27	6020311079-3	Hexagonal Head Bolt 5/8" X 3.1/2" 11F Unc1A Gr5 Rp	2								
28	5040121052-8	Bar 38 X 130 X 12,5mm		1		1		1		1	
29	6020311065-3	Hexagonal Head Bolt 1/2" X 4" 12F W Gr5 Rp		4		4		4		4	
30	6020310054-2	Hexagonal Head Bolt 3/8" X 1" 16F Unc1A Gr2 Rt	1								
31	5204010160-8	Complete Left Hub For Limiter Ring (Plain Disc 15" X 4,00mm)	1								
32	5024010024-7	Smooth Washer Ø20 X Ø38 X 1,21mm	6								
33	5096040002-7	Hub Internal Cap	2								
34	6020310746-6	Hexagonal Nut 3/8" 16F Unc Gr5 Ch.9/16" Height 8,50mm	1								
35	5024010075-1	Smooth Washer Ø10,3 X Ø25 X 2,00mm	2								
36	5530011577-1	Right Support Of Fertilizer And Seed Large Double Disc (Descentrado)	1	1			1	1			
36	5530011576-3	Left Support Of Large Fertilizer/Seed Large Double Disc			1	1			1	1	
37	5204010159-4	Complete Right Hub For Limiter Ring(Coulter Disc Blade 15" X 4,00mm)	1								
38	5352030056-9	Internal Left Scraper Of Disc	1								
39	6020010406-7	Pressure Washer 3/8" Media Industry	1								
40	5352030057-7	Internal Right Scraper Of Disc	1								
41	5204010149-7	Left Disc Hub	1								
41	5204010150-0	Right Disc Hub	1								
42	2857398003-6	Coulter Plain Disc Blade 15 X 4,00 Hc Rd 80mm + 6H Rd 8,7mm R=57,5mm + 6H Rd 6,9mm	2								
43	6020310454-8	Hexagonal Nut M8 X 1,25 Ma Cl8 Ch.13mm H.6,50mm	12								
44	6020010004-5	Pressure Washer M8 Media	12								
45	6020310235-9	Bolt M8 X 1,25 X 25mm Cl8.8 Rt	12								
46	6020010289-7	Retaining Ring I-55	2								
47	6020050101-5	Cotterpin 1/8" X 1"	2								
48	5204010148-9	Hub Of Ø136 X 54mm	2								
49	6020010095-9	Gascket Ring Ø47X Ø52X 2mm	2								
50	6020350268-3	Retainer Ø36,00 X Ø52,00 X 11,00mm	2								

• Table Row W/Concave Compactation Wheel W/Regulator Support

Item	Code	Product description	All	Large Right W/Cutting Disc	Small Right W/Cutting Disc	Large Left W/Cutting Disc	Small Left W/Cutting Disc	Large Right Without Cutting Disc	Small Right Without Cutting Disc	Large Left Without Cutting Disc	Small Left Without Cutting Disc	Item	Code	Product description	All	Large Right W/Cutting Disc	Small Right W/Cutting Disc	Large Left W/Cutting Disc	Small Left W/Cutting Disc	Large Right Without Cutting Disc	Small Right Without Cutting Disc	Large Left Without Cutting Disc	Small Left Without Cutting Disc
51	5232010077-1	Shaft Ø36 X 94mm With Right Thread	1									80	6020130108-7	Grease Fitting 1/8"		1	1	1	1				
52	6020010513-6	Plain Washer Ø20 X Ø35 X 3mm	2									81	6020050640-8	Hub Cap		1	1	1	1				
53	6020310797-0	Nut 3/4" 16F Unf Gr5 Ch.1.1/16" Height 13,00mm	2									82	6020310797-0	Nut 3/4" 16F Unf Gr5 Ch.1.1/16" Height 13,00mm		1	1	1	1				
54	6020350087-7	Bearing 30204	4									83	5530160187-4	Support W/Shaft Of Disc		1	1	1	1				
55	6020050641-6	Hub Cap	2									84	6020350077-0	Bearing 44610/49		2	2	2	2				
56	5124010099-5	Rippled Coulter Disc Row	1	1	1	1	1					85	6020050101-5	Cotterpin 1/8" X 1"		1	1	1	1				
57	5324050014-7	Complete Adjustment Support Guide	2	2	2	2	2					86	6020350244-6	Retainer Ø35,00 X Ø58,00 X 10,00mm		1	1	1	1				
58	6020311038-6	Hexagonal Head Bolt 3/8" X 4" 16F Unc1A Gr2 Rp	4	4	4	4	4					87	5024010258-4	Smooth Washer Ø20 X Ø38,5 X 3,00mm		1	1	1	1				
59	6020010406-7	Pressure Washer 3/8" Media Industry	4	4	4	4	4					88	5204010090-3	Disc Hub		1	1	1	1				
60	6020310746-6	Hexagonal Nut 3/8" 16F Unc Gr5 Ch.9/16" Height 8,50mm	4	4	4	4	4					89	6020190098-3	Gascket Ø50,3 X Ø73,5 X 1/64"		1	1	1	1				
61	5124010100-2	Row W/Rippled Coulter Disc Blade	1	1	1	1	1					90	6020311000-9	Hexagonal Head Bolt 1/4" X 1/2" 20F Unc1A Gr5 Rt		4	4	4	4				
62	5530010406-0	Depth Regulator Support	1	1	1	1	1					91	6020310349-5	Hexagonal Head Bolt M12 X 1,75 X 30mm Cl8.8 R Wth Point	2								
63	6020130108-7	Grease Fitting 1/8"	1	1	1	1	1					92	6020250437-2	Helical Spring Ø43,5 X Ø54,5 X 700mm External		1		1		1		1	
64	6020310510-2	Heavy Elastic Pin Ø10 X 55mm	1	1	1	1	1					93	6020250267-1	Helical Spring Ø43,5 X Ø54,5 X 600mm External			1		1		1		1
65	5432010181-9	French Head Pin Ø11,20 X 90mm	1	1	1	1	1					93	6020390294-0	Lock Nma - Type "R" Ø3,5 X 67mm(Special)	1								
66	6020050101-5	Cotterpin 1/8" X 1"	1	1	1	1	1					94	5566040144-9	Rod Of Spring De 935,5mm		1		1		1		1	
67	5080020787-5	Bushing Of Ø14 X Ø19 X 65mm	1	1	1	1	1					94	5566040141-4	Rod Spring			1		1		1		1
68	6020311038-6	Hexagonal Head Bolt 3/8" X 4" 16F Unc1A Gr2 Rp	1	1	1	1	1					95	5080011663-2	Fixation Support Of Spring Rod	1								
69	6020010406-7	Pressure Washer 3/8" Media Industry	1	1	1	1	1					96	6020250435-6	Helical Spring Ø17,5 X Ø25,5 X 700mm Internal		1		1		1		1	
70	6020310746-6	Hexagonal Nut 3/8" 16F Unc Gr5 Ch.9/16" Height 8,50mm	1	1	1	1	1					96	6020250275-2	Helical Spring Ø17,5 X Ø25,5 X 600mm Internal			1		1		1		1
71	5024010107-3	Smooth Washer Ø36 X Ø61 X 5,00mm	1	1	1	1	1					97	5530016364-4	Lower Support Of Triple Spring	1								
72	6020310472-6	Heavy Elastic Pin Ø6 X 55mm	1	1	1	1	1					98	6020250436-4	Helical Spring Ø30,5 X Ø41,5 X 700mm		1		1		1		1	
73	6020310980-9	Hexagonal Head Bolt M10 X 1,50 X 40mm Cl8.8 Rt	6	6	6	6	6					98	6020250273-6	Helical Spring Ø30,5 X Ø41,5 X 600mm			1		1		1		1
74	3255397388-0	Rippled Plain Disc Blade 14 X 4,00 Hc Rd 80mm + 6H Rd 10,3mm	1	1	1	1	1																
75	6020010394-0	Pressure Washer M10 Media	6	6	6	6	6																
76	5284010001-4	Flange Of Disc Hub	1	1	1	1	1																
77	5530010405-2	Support Of Disc W/Hub	1	1	1	1	1																
78	6020310822-5	Hexagonal Nut M10 X 1,50 Ma Cl8 Ch.17mm H.8,00mm	6	6	6	6	6																

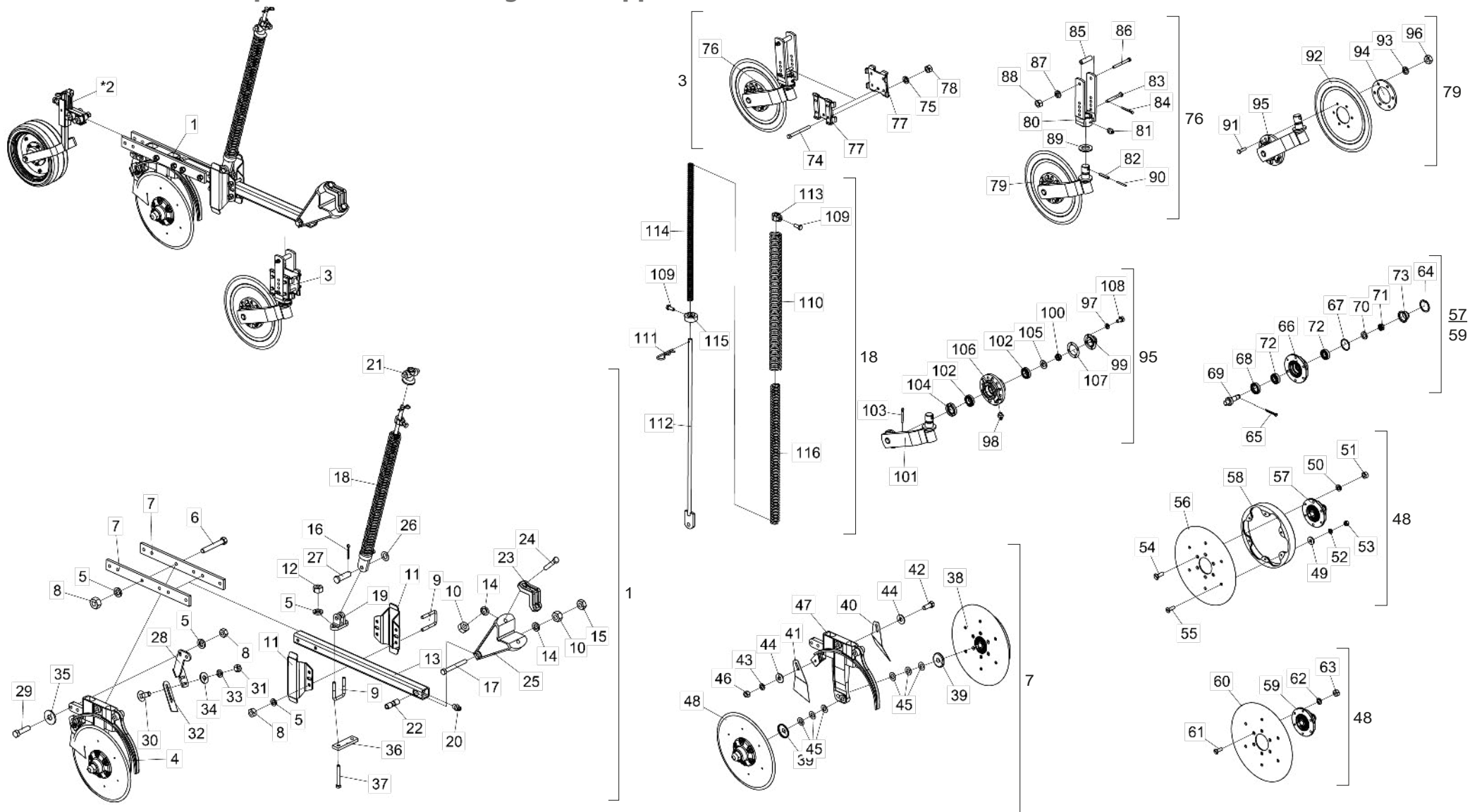
• Row W/Concave Compactation Wheel W/Large Regulator Support



• Table Row W/Concave Compaction Wheel W/Large Regulator Support

Item	Code	Product description	All	Large Right	Small Right	Large Left	Small Left	Item	Code	Product description	All	Large Right	Small Right	Large Left	Small Left
1	2517010847-0	Large Right Row Unit W/Straight Bar (SPD-E)	1					45	6020010289-7	Retaining Ring I-55	2				
1	2517010845-3	Small Right Row Unit W/Straight Bar (SPD-E)		1				46	6020050101-5	Cotterpin 1/8" X 1"	2				
1	2517010846-1	Large Left Row Unit W/Straight Bar (SPD-E)				1		47	5204010148-9	Hub Of Ø136 X 54mm	2				
1	2517010844-5	Small Left Row Unit W/Straight Bar (SPD-E)					1	48	6020010095-9	Gascket Ring 047X 052X 2mm	2				
2	5124010488-5	Large Row Of Concave Depth Wheel With Regulation Support	1					49	6020350268-3	Retainer Ø36,00 X Ø52,00 X 11,00mm	2				
3	6020050101-5	Cotterpin 1/8" X 1"	1					50	5232010076-3	Shaft Ø36 X 94mm With Left Thread	1				
4	6020010410-5	Pressure Washer 1/2" Media Industry		10	6	10	6	50	5232010077-1	Shaft Ø36 X 94mm With Right Thread	1				
5	6010601347-3	Fixation Shank Of Coultter Disc	1					51	6020010513-6	Plain Washer Ø20 X Ø35 X 3mm	2				
6	5252040056-7	Row Hitch	1					52	6020310797-0	Nut 3/4" 16F Unf Gr5 Ch.1.1/16" Height 13,00mm	2				
7	5124010372-2	Complete Row Of Double Disc Fertilizer/Seed (Excentric) Special	1	1				53	6020350087-7	Bearing 30204	4				
7	5124010373-0	Left Row Of Fertilizer/Seed Double Disc (Excentric) Special				1	1	54	6020050641-6	Hub Cap	2				
8	6020310754-7	Hexagonal Nut 1/2" 12F W Gr5 Ch.7/8" Height 12,00mm		8	6	8	6	55	6020310051-8	Hexagonal Head Bolt 1/2" X 1.1/4" 12F W Gr5 Rt	2				
9	6020311061-0	Hexagonal Head Bolt 1/2" X 3.1/2" 12F W Gr5 Rp		4	2	4	2	56	6020010410-5	Pressure Washer 1/2" Media Industry	4				
10	5040140064-5	Bar Of 2" X 1/2" X 518mm	2					57	6020310754-7	Hexagonal Nut 1/2" 12F W Gr5 Ch.7/8" Height 12,00mm	2				
11	5526010018-0	Separator Of Rows	2					58	6020390308-4	Lock Nma - Type "R" Ø4,5 X 80mm	1				
12	6020310756-3	Hexagonal Nut 1/2" 12F W Gr5 Ch.3/4" Height 11,00mm		2		2		59	5530012143-7	Wheel Support (SPD-E)	1				
13	5432030173-7	Pin Ø5/8" X 46mm	1					60	6020311061-0	Hexagonal Head Bolt 1/2" X 3.1/2" 12F W Gr5 Rp	2				
14	5024010059-0	Smooth Washer Ø16,5 X Ø29 X 1,21mm	1					61	6020311069-6	Hexagonal Head Bolt 5/8" X 1.3/4" 11F Unc1A Gr5 Rt Wth Point	1				
15	6010601172-1	Lower Support Of Rod (Small)		1		1		62	5530180106-7	Support Of Regulator	1				
15	6010601195-0	Lower Support Of Rod (Large)		1		1	1	63	6020310765-2	Hexagonal Nut 5/8" 11F Unc Gr5 Ch.15/16" Height 14,00mm	1				
16	5566010045-7	Small Rod Of Spring		1		1	1	64	5498100018-0	Complete Compaction Wheel Concav	1				
16	5566010046-5	Rod Of Triple Spring (Small)			1		1	65	6020010404-0	Pressure Washer 5/16" Media Industry	10				
17	6020310738-5	Hexagonal Nut 5/8" 11F Unc Gr5 Ch.1.1/16" Height 11,00mm	1					66	6020310744-0	Hexagonal Nut 5/16" 18F Unc Gr5 Ch.1/2" Height 6,50mm	10				
18	6020310760-1	Hexagonal Nut 5/8" 11F Unc Gr5 Ch.1.1/16" Height 15,00mm	3					67	6020311017-3	Hexagonal Head Bolt 5/16" X 1.1/2" 18F Unc Gr2 Rt	5				
19	6010601280-9	Upper Lock Of Triple Spring	1					68	5018010016-1	Rubber Wheel Rim	2				
20	5080010539-8	Row Articulation Bushing	1					69	6020350007-9	Bearing 6206(Skf-Nsk-Timken)	2				
21	6020010412-1	Pressure Washer 5/8" Media Industry	3					70	6020350204-7	Retainer Ø25,00 X Ø47,00 X 10,00mm	2				
22	6020311082-3	Hexagonal Head Bolt 5/8" X 5.1/2" 11F Unc1A Gr5 Rp	1					71	6020010813-5	Convex Compaction Rim 99-8	1				
23	5572012100-9	Square Beam Of 50 X 800mm Complete	1					72	5204020047-9	Wheel Hub	2				
24	6020130100-1	Grease Fitting 1/4"	1					73	6020312020-9	Hexagonal Head Bolt 5/16" X 3/4" 18F Unc1A Gr5 Rt	5				
25	5068010081-8	Clamp Of 84 X 64 X R.1/2" W		3		3		74	5080030028-0	Large Bushing Of Compactor Wheel	1				
26	6020311079-3	Hexagonal Head Bolt 5/8" X 3.1/2" 11F Unc1A Gr5 Rp	2					75	6020310349-5	Hexagonal Head Bolt M12 X 1,75 X 30mm Cl8.8 R Wth Point	2				
27	5040121052-8	Bar 38 X 130 X 12,5mm			1		1	76	6020250437-2	Helical Spring Ø43,5 X Ø54,5 X 700mm External		1		1	
28	6020311065-3	Hexagonal Head Bolt 1/2" X 4" 12F W Gr5 Rp			4		4	76	6020250267-1	Helical Spring Ø43,5 X Ø54,5 X 600mm External			1		1
29	6020310054-2	Hexagonal Head Bolt 3/8" X 1" 16F Unc1A Gr2 Rt	1					77	6020390294-0	Lock Nma - Type "R" Ø3,5 X 67mm(Special)	1				
30	5204010160-8	Complete Left Hub For Limiter Ring (Plain Disc 15" X 4,00mm)	1					78	5566040144-9	Rod Of Spring De 935,5mm		1		1	
31	5024010024-7	Smooth Washer Ø20 X Ø38 X 1,21mm	6					78	5566040141-4	Rod Spring			1		1
32	5096040002-7	Hub Internal Cap	2					79	5080011663-2	Fixation Support Of Spring Rod	1				
33	6020310746-6	Hexagonal Nut 3/8" 16F Unc Gr5 Ch.9/16" Height 8,50mm	1					80	6020250435-6	Helical Spring Ø17,5 X Ø25,5 X 700mm Internal		1		1	
34	5024010075-1	Smooth Washer Ø10,3 X Ø25 X 2,00mm	2					80	6020250275-2	Helical Spring Ø17,5 X Ø25,5 X 600mm Internal			1		1
35	5530011577-1	Right Support Of Fertilizer And Seed Large Double Disc (Descentrado)		1	1			81	5530016364-4	Lower Support Of Triple Spring	1				
35	5530011576-3	Left Support Of Large Fertilizer/Seed Large Double Disc				1	1	82	6020250436-4	Helical Spring Ø30,5 X Ø41,5 X 700mm		1		1	
36	5204010159-4	Complete Right Hub For Limiter Ring(Coulter Disc Blade 15" X 4,00mm)	1					82	6020250273-6	Helical Spring Ø30,5 X Ø41,5 X 600mm			1		1
37	5352030056-9	Internal Left Scraper Of Disc	1												
38	6020010406-7	Pressure Washer 3/8" Media Industry	1												
39	5352030057-7	Internal Right Scraper Of Disc	1												
40	5204010149-7	Left Disc Hub	1												
40	5204010150-0	Right Disc Hub	1												
41	2857398003-6	Coulter Plain Disc Blade 15 X 4,00 Hc Rd 80mm + 6H Rd 8,7mm R=57,5mm + 6H Rd 6,9mm	2												
42	6020310454-8	Hexagonal Nut M8 X 1,25 Ma Cl8 Ch.13mm H.6,50mm	12												
43	6020010004-5	Pressure Washer M8 Media	12												
44	6020310235-9	Bolt M8 X 1,25 X 25mm Cl8.8 Rt	12												

• Row W/Concave Compactation Wheel W/Regulator Support and Frieze 40mm



* Item 2 - See page 97

• Table Row W/Concave Compaction Wheel W/Regulator Support and Frieze 40mm

Item	Code	Product description	All	Large Right W/Cutting Disc	Small Right W/Cutting Disc	Large Left W/Cutting Disc	Small Left W/Cutting Disc	Large Right Without Cutting Disc	Small Right Without Cutting Disc	Large Left Without Cutting Disc	Small Left Without Cutting Disc	Item	Code	Product description	All	Large Right W/Cutting Disc	Small Right W/Cutting Disc	Large Left W/Cutting Disc	Small Left W/Cutting Disc	Large Right Without Cutting Disc	Small Right Without Cutting Disc	Large Left Without Cutting Disc	Small Left Without Cutting Disc
1	2517012305-3	Small Right Row Unit W/Straight Bar W/Frieze Of 40mm (SPD-E)			1				1			29	6020310049-6	Hexagonal Head Bolt 1/2" X 2" 12F W Gr5 Rp	2								
1	2517012302-9	Large Left Row Unit W/Straight Bar W/Frieze Of 40mm (SPD)				1				1		30	6020311160-9	French Head Bolt 3/8" X 1" 16F Unc1A Gr2 Rt	2								
1	2517012304-5	Small Left Row Unit W/Straight Bar W/Frieze Of 40mm (SPD-E)					1				1	31	6020310746-6	Hexagonal Nut 3/8" 16F Unc Gr5 Ch.9/16" Height 8,50mm	2								
*2	5124010108-8	Row Of Concave Depth Wheel With Regulating Support	1									32	5352010048-9	Limiter Of Limiter Rim	1								
3	5124010337-4	Complete Row Of Rippled Coulter Disc Blade		1	1	1	1					33	6020010406-7	Pressure Washer 3/8" Media Industry	2								
4	5124010822-8	Fertilizer/Seed Double Disc Right Row W/Frieze 40mm (Decentered) Special		1	1			1	1			34	5024010075-1	Smooth Washer Ø10,3 X Ø25 X 2,00mm	2								
4	5124010823-6	Fertilizer/Seed Double Disc Left Row W/Frieze 40mm (Decentered) Special				1	1			1	1	35	5024010068-9	Smooth Washer Ø13,3 X Ø35,5 X 3,00mm	2								
5	6020010410-5	Pressure Washer 1/2" Media Industry		12	8	12	8	12	8	12	8	36	5040121052-8	Bar 38 X 130 X 12,5mm			1		1		1		1
6	6020311061-0	Hexagonal Head Bolt 1/2" X 3.1/2" 12F W Gr5 Rp		4	2	4	2	4	2	4	2	37	6020311065-3	Hexagonal Head Bolt 1/2" X 4" 12F W Gr5 Rp			4		4		4		4
7	5040140064-5	Bar Of 2" X 1/2" X 518mm	2									38	5204010508-5	Complete Left Hub W/Limiter Frieze 40mm (Plan Disc 15" X 4,00mm)	1	1			1	1			
8	6020310754-7	Hexagonal Nut 1/2" 12F W Gr5 Ch.7/8" Height 12,00mm		10	8	10	8	10	8	10	8	38	5204010507-7	Complete Right Hub W/Limiter Frieze 40mm (Plan Disc 15" X 4,00mm)			1	1				1	1
9	5068010081-8	Clamp Of 84 X 64 X R.1/2" W		3		3		3		3		39	5096040002-7	Hub Internal Cap	2								
10	6020310760-1	Hexagonal Nut 5/8" 11F Unc Gr5 Ch.1.1/16" Height 15,00mm	3									40	5352030056-9	Internal Left Scraper Of Disc	1								
11	5526010018-0	Separator Of Rows	2									41	5352030057-7	Internal Right Scraper Of Disc	1								
12	6020310756-3	Hexagonal Nut 1/2" 12F W Gr5 Ch.3/4" Height 11,00mm		2		2		2		2		42	6020310054-2	Hexagonal Head Bolt 3/8" X 1" 16F Unc1A Gr2 Rt	1								
13	5572012100-9	Square Beam Of 50 X 800mm Complete	1									43	6020010406-7	Pressure Washer 3/8" Media Industry	1								
14	6020010412-1	Pressure Washer 5/8" Media Industry	3									44	5024010075-1	Smooth Washer Ø10,3 X Ø25 X 2,00mm	2								
15	6020310738-5	Hexagonal Nut 5/8" 11F Unc Gr5 Ch.1.1/16" Height 11,00mm	1									45	5024010024-7	Smooth Washer Ø20 X Ø38 X 1,21mm	6								
16	6020050101-5	Cotterpin 1/8" X 1"	1									46	6020310746-6	Hexagonal Nut 3/8" 16F Unc Gr5 Ch.9/16" Height 8,50mm	1								
17	6020311082-3	Hexagonal Head Bolt 5/8" X 5.1/2" 11F Unc1A Gr5 Rp	1									47	5530011577-1	Right Support Of Fertilizer And Seed Large Double Disc (Descentrado)	1	1			1	1			
18	5566010045-7	Small Rod Of Spring		1		1		1		1		47	5530011576-3	Left Support Of Large Fertilizer/Seed Large Double Disc			1	1			1	1	
18	5566010046-5	Rod Of Triple Spring (Small)			1		1		1		1	48	5204010159-4	Complete Right Hub For Limiter Ring (Coulter Disc Blade 15" X 4,00mm)	1	1			1	1			
19	6010601172-1	Lower Support Of Rod (Small)		1		1		1		1		48	5204010160-8	Complete Left Hub For Limiter Ring (Plain Disc 15" X 4,00mm)			1	1			1	1	
19	6010601195-0	Lower Support Of Rod (Large)			1		1		1		1	49	5024010161-8	Smooth Washer Ø7 X Ø18 X 2,00mm	6								
20	6020130100-1	Grease Fitting 1/4"	1									50	6020010004-5	Pressure Washer M8 Media	6								
21	6010601280-9	Upper Lock Of Triple Spring	1									51	6020310454-8	Hexagonal Nut M8 X 1,25 Ma C18 Ch.13mm H.6,50mm	6								
22	5080010539-8	Row Articulation Bushing	1									52	6020010122-0	Pressure Washer M6 Media	6								
23	6010601347-3	Fixation Shank Of Coulter Disc	1									53	6020311257-5	Hexagonal Nut M6 X 1,00 Ma C18 Ch.10mm H.5,00mm	6								
24	6020311079-3	Hexagonal Head Bolt 5/8" X 3.1/2" 11F Unc1A Gr5 Rp	2									54	6020310235-9	Bolt M8 X 1,25 X 25mm C18.8 Rt	6								
25	5252040056-7	Row Hitch	1									55	6020317441-4	Bolt M6 X 1,00 X 20mm C18.8 Rt	6								
26	5024010059-0	Smooth Washer Ø16,5 X Ø29 X 1,21mm	1									56	2857398003-6	Coulter Plain Disc Blade 15 X 4,00 Hc Rd 80mm + 6H Rd 8,7mm	1								
27	5432030173-7	Pin Ø5/8" X 46mm	1									57	5204010149-7	Left Disc Hub		1	1			1	1		
28	5530014453-4	Left Support Of Scraper		1	1			1	1			57	5204010150-0	Right Disc Hub				1	1			1	1

• Table Row W/Concave Compactation Wheel W/Regulator Support and Frieze 40mm

Item	Code	Product description	All	Large Right W/Cutting Disc	Small Right W/Cutting Disc	Large Left W/Cutting Disc	Small Left W/Cutting Disc	Large Right Without Cutting Disc	Small Right Without Cutting Disc	Large Left Without Cutting Disc	Small Left Without Cutting Disc	Item	Code	Product description	All	Large Right W/Cutting Disc	Small Right W/Cutting Disc	Large Left W/Cutting Disc	Small Left W/Cutting Disc	Large Right Without Cutting Disc	Small Right Without Cutting Disc	Large Left Without Cutting Disc	Small Left Without Cutting Disc
58	6010600786-4	Deph Limiter Ring (40mm)	1									90	6020310472-6	Heavy Elastic Pin Ø6 X 55mm		1	1	1	1				
59	5204010150-0	Right Disc Hub		1	1			1	1			91	6020310980-9	Hexagonal Head Bolt M10 X 1,50 X 40mm Cl8.8 Rt		6	6	6	6				
59	5204010149-7	Left Disc Hub				1	1			1	1	92	3255397388-0	Rippled Plain Disc Blade 14 X 4,00 Hc Rd 80mm + 6H Rd 10,3mm		1	1	1	1				
60	2857398003-6	Coulter Plain Disc Blade 15 X 4,00 Hc Rd 80mm + 6H Rd 8,7mm	1									93	6020010394-0	Pressure Washer M10 Media		6	6	6	6				
61	6020310235-9	Bolt M8 X 1,25 X 25mm Cl8.8 Rt	6									94	5284010001-4	Flange Of Disc Hub		1	1	1	1				
62	6020010004-5	Pressure Washer M8 Media	6									95	5530010405-2	Support Of Disc W/Hub		1	1	1	1				
63	6020310454-8	Hexagonal Nut M8 X 1,25 Ma Cl8 Ch.13mm H.6,50mm	6									96	6020310822-5	Hexagonal Nut M10 X 1,50 Ma Cl8 Ch.17mm H.8,00mm		6	6	6	6				
64	6020010289-7	Retaining Ring I-55	2									97	6020010402-4	Pressure Washer 1/4" Media Industry		4	4	4	4				
65	6020050101-5	Cotterpin 1/8" X 1"	2									98	6020130108-7	Grease Fitting 1/8"		1	1	1	1				
66	5204010148-9	Hub Of Ø136 X 54mm	2									99	6020050640-8	Hub Cap		1	1	1	1				
67	6020010095-9	Gascket Ring 047X 052X 2mm	2									100	6020310797-0	Nut 3/4" 16F Unf Gr5 Ch.1.1/16" Height 13,00mm		1	1	1	1				
68	6020350268-3	Retainer Ø36,00 X Ø52,00 X 11,00mm	2									101	5530160187-4	Support W/Shaft Of Disc		1	1	1	1				
69	5232010076-3	Shaft Ø36 X 94mm With Left Thread	1									102	6020350077-0	Bearing 44610/49		2	2	2	2				
69	5232010077-1	Shaft Ø36 X 94mm With Right Thread	1									103	6020050101-5	Cotterpin 1/8" X 1"		1	1	1	1				
70	6020010513-6	Plain Washer Ø20 X Ø35 X 3mm	2									104	6020350244-6	Retainer Ø35,00 X Ø58,00 X 10,00mm		1	1	1	1				
71	6020310797-0	Nut 3/4" 16F Unf Gr5 Ch.1.1/16" Height 13,00mm	2									105	5024010258-4	Smooth Washer Ø20 X Ø38,5 X 3,00mm		1	1	1	1				
72	6020350087-7	Bearing 30204	4									106	5204010090-3	Disc Hub		1	1	1	1				
73	6020050641-6	Hub Cap	2									107	6020190098-3	Gascket Ø50,3 X Ø73,5 X 1/64"		1	1	1	1				
74	6020311038-6	Hexagonal Head Bolt 3/8" X 4" 16F Unc1A Gr2 Rp		4	4	4	4					108	6020311000-9	Hexagonal Head Bolt 1/4" X 1/2" 20F Unc1A Gr5 Rt		4	4	4	4				
75	6020010406-7	Pressure Washer 3/8" Media Industry		4	4	4	4					109	6020310349-5	Hexagonal Head Bolt M12 X 1,75 X 30mm Cl8.8 R Wth Point	2								
76	5124010099-5	Rippled Coulter Disc Row		1	1	1	1					110	6020250437-2	Helical Spring Ø43,5 X Ø54,5 X 700mm External		1		1		1		1	
77	5324050014-7	Complete Adjustment Support Guide		2	2	2	2					110	6020250267-1	Helical Spring Ø43,5 X Ø54,5 X 600mm External			1		1		1		1
78	6020310746-6	Hexagonal Nut 3/8" 16F Unc Gr5 Ch.9/16" Height 8,50mm		4	4	4	4					111	6020390294-0	Lock Nma - Type "R" Ø3,5 X 67mm(Special)		1							
79	5124010100-2	Row W/Rippled Coulter Disc Blade		1	1	1	1					112	5566040144-9	Rod Of Spring De 935,5mm		1		1		1		1	
80	5530010406-0	Depth Regulator Support		1	1	1	1					112	5566040141-4	Rod Spring			1		1		1		1
81	6020130108-7	Grease Fitting 1/8"		1	1	1	1					113	5080011663-2	Fixation Support Of Spring Rod		1							
82	6020310510-2	Heavy Elastic Pin Ø10 X 55mm		1	1	1	1					114	6020250435-6	Helical Spring Ø17,5 X Ø25,5 X 700mm Internal		1		1		1		1	
83	5432010181-9	French Head Pin Ø11,20 X 90mm		1	1	1	1					114	6020250275-2	Helical Spring Ø17,5 X Ø25,5 X 600mm Internal			1		1		1		1
84	6020050101-5	Cotterpin 1/8" X 1"		1	1	1	1					115	5530016364-4	Lower Support Of Triple Spring		1							
85	5080020787-5	Bushing Of Ø14 X Ø19 X 65mm		1	1	1	1					116	6020250436-4	Helical Spring Ø30,5 X Ø41,5 X 700mm		1		1		1		1	
86	6020311038-6	Hexagonal Head Bolt 3/8" X 4" 16F Unc1A Gr2 Rp		1	1	1	1					116	6020250273-6	Helical Spring Ø30,5 X Ø41,5 X 600mm			1		1		1		1
87	6020010406-7	Pressure Washer 3/8" Media Industry		1	1	1	1																
88	6020310746-6	Hexagonal Nut 3/8" 16F Unc Gr5 Ch.9/16" Height 8,50mm		1	1	1	1																
89	5024010107-3	Smooth Washer Ø36 X Ø61 X 5,00mm		1	1	1	1																

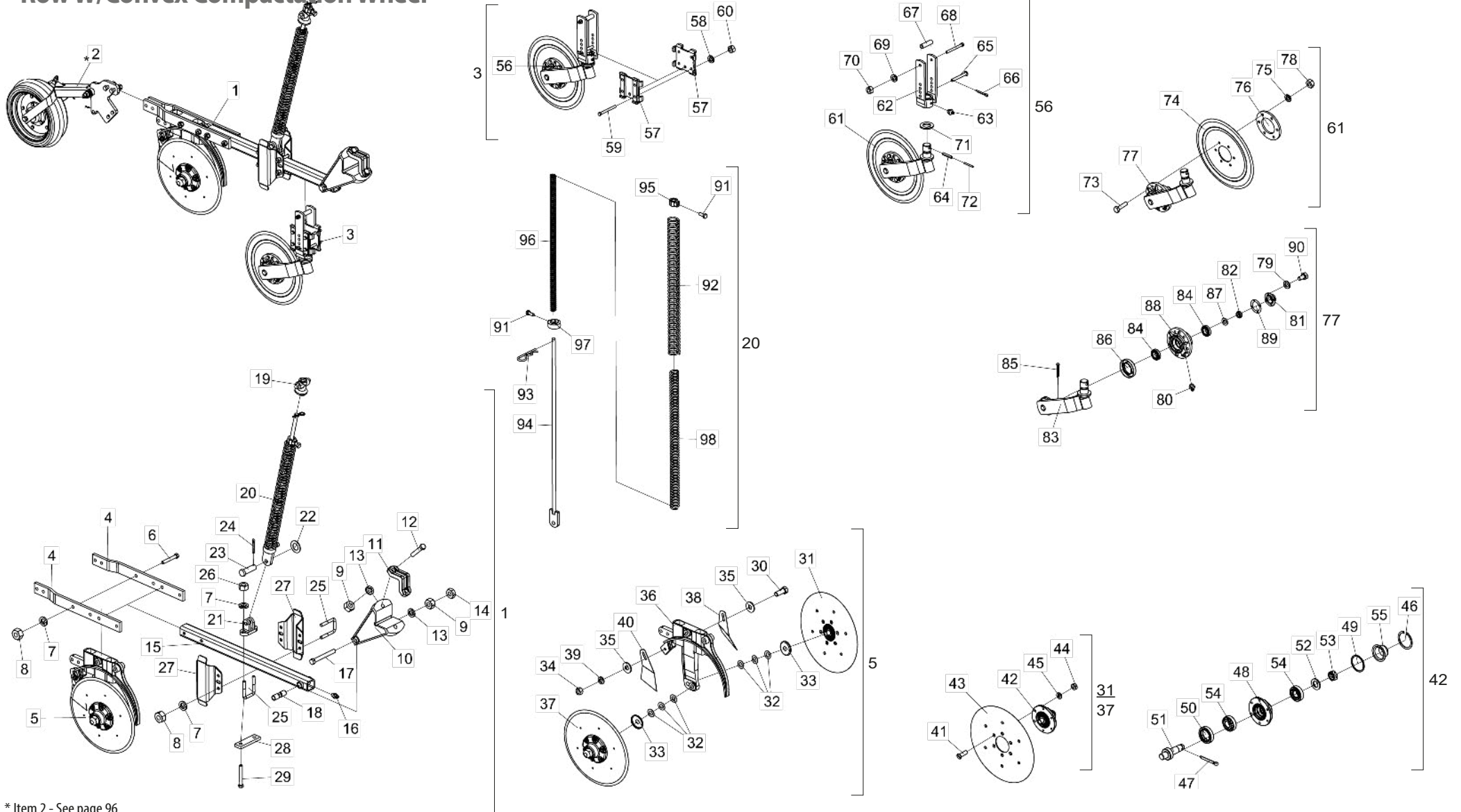
• Table Row W/Concave Compaction Wheel and Frieze 40mm

Item	Code	Product description	All	Large Right	Small Right	Large Left	Small Left	Item	Code	Product description	All	Large Right	Small Right	Large Left	Small Left
1	2517012295-2	Large Right Row Unit W/Frieze Of 40mm(SPD Special)		1				27	6020310760-1	Hexagonal Nut 5/8" 11F Unc Gr5 Ch.1.1/16" Height 15,00mm	3				
1	2517012293-6	Small Right Row Unit W/Frieze Of 40mm(SPD Special)			1			28	6020310738-5	Hexagonal Nut 5/8" 11F Unc Gr5 Ch.1.1/16" Height 11,00mm	1				
1	2517012294-4	Large Left Row Unit W/Frieze Of 40mm(SPD Special)				1		29	6020311082-3	Hexagonal Head Bolt 5/8" X 5.1/2" 11F Unc1A Gr5 Rp	1				
1	2517012292-8	Small Left Row Unit W/Frieze Of 40mm(SPD Special)					1	30	5572012100-9	Square Beam Of50 X 800mm Complete	1				
2	5124010378-1	Complete Row Of Concave Compaction Wheel (SPD)	1					31	5432030173-7	Pin Ø5/8" X 46mm	1				
3	6020130100-1	Grease Fitting 1/4"	1					32	5526010018-0	Separator Of Rowas	2				
4	5068010081-8	Clamp Of 84 X 64 X R.1/2" W		3		3		33	5352010048-9	Limiter Of Limiter Rim	1				
5	6020010410-5	Pressure Washer 1/2" Media Industry		12	8	12	8	34	6020010406-7	Pressure Washer 3/8" Media Industry	2				
6	6020010412-1	Pressure Washer 5/8" Media Industry	3					35	5040121052-8	Bar 38 X 130 X 12,5mm			1		1
7	6020311079-3	Hexagonal Head Bolt 5/8" X 3.1/2" 11F Unc1A Gr5 Rp	2					36	6020311065-3	Hexagonal Head Bolt 1/2" X 4" 12FW Gr5 Rp			4		4
8	5252040056-7	Row Hitch	1					37	5204010508-5	Complete Left Hub W/Limiter Frieze 40mm(Plan Disc 15" X 4,00mm)		1	1		
9	6010601347-3	Fixation Shank Of Coulter Disc	1					37	5204010507-7	Complete Right Hub W/Limiter Frieze 40mm(Plan Disc 15" X 4,00mm)				1	1
10	6010601280-9	Upper Lock Of Triple Spring	1					38	5096040002-7	Hub Internal Cap	2				
11	6010601172-1	Lower Support Of Rod (Small)		1		1		39	5352030056-9	Internal Left Scraper Of Disc	1				
11	6010601195-0	Lower Support Of Rod (Large)			1		1	40	5352030057-7	Internal Right Scraper Of Disc	1				
12	5566010045-7	Small Rod Of Spring		1		1		41	6020310054-2	Hexagonal Head Bolt 3/8" X 1" 16F Unc1A Gr2 Rt	1				
12	5566010046-5	Rod Of Triple Spring (Small)			1		1	42	6020010406-7	Pressure Washer 3/8" Media Industry	1				
13	5080010539-8	Row Articulation Bushing	1					43	5024010075-1	Smooth Washer Ø10,3 X Ø25 X 2,00mm	2				
14	5124010822-8	Fertilizer/Seed Double Disc Right Row W/Frieze 40mm(Decentered) Special		1	1			44	5024010024-7	Smooth Washer Ø20 X Ø38 X 1,21mm	6				
14	5124010823-6	Fertilizer/Seed Double Disc Left Row W/Frieze 40mm(Decentered) Special				1	1	45	6020310746-6	Hexagonal Nut 3/8" 16F Unc Gr5 Ch.9/16" Height 8,50mm	1				
15	6020310756-3	Hexagonal Nut 1/2" 12F W Gr5 Ch.3/4" Height 11,00mm		2		2		46	5530011577-1	Right Support Of Fertilizer And Seed Large Double Disc (Descentrado)		1	1		
16	5040140058-0	Bar Of 2" X 1/2" X 554mm	2					46	5530011576-3	Left Support Of Large Fertilizer/Seed Large Double Disc				1	1
17	6020310754-7	Hexagonal Nut 1/2" 12F W Gr5 Ch.7/8" Height 12,00mm		10	8	10	8	47	5204010159-4	Complete Right Hub For Limiter Ring(Coulter Disc Blade 15" X 4,00mm)		1	1		
18	6020311061-0	Hexagonal Head Bolt 1/2" X 3.1/2" 12FW Gr5 Rp		4	2	4	2	47	5204010160-8	Complete Left Hub For Limiter Ring (Plain Disc 15" X 4,00mm)				1	1
19	5024010075-1	Smooth Washer Ø10,3 X Ø25 X 2,00mm	2					48	6020317441-4	Bolt M6 X 1,00 X 20mm Cl8.8 Rt	6				
20	6020310049-6	Hexagonal Head Bolt 1/2" X 2" 12FW Gr5 Rp	2					49	6020010004-5	Pressure Washer M8 Media	6				
21	6020311160-9	French Head Bolt 3/8" X 1" 16F Unc1A Gr2 Rt	2					50	5024010161-8	Smooth Washer Ø7 X Ø18 X 2,00mm	6				
22	6020310746-6	Hexagonal Nut 3/8" 16F Unc Gr5 Ch.9/16" Height 8,50mm	2					51	6020310454-8	Hexagonal Nut M8 X 1,25 Ma Cl8 Ch.13mm H.6,50mm	6				
23	5530014452-6	Right Support Of Scraper				1	1	52	6020310235-9	Bolt M8 X 1,25 X 25mm Cl8.8 Rt	6				
23	5530014453-4	Left Support Of Scraper		1	1			53	6020311257-5	Hexagonal Nut M6 X 1,00 Ma Cl8 Ch.10mm H.5,00mm	6				
24	5024010059-0	Smooth Washer Ø16,5 X Ø29 X 1,21mm	1					54	6020010122-0	Pressure Washer M6 Media	6				
25	6020050101-5	Cotterpin 1/8" X 1"	1					55	2857398003-6	Coulter Plain Disc Blade 15 X 4,00 Hc Rd 80mm + 6H Rd 8,7mm R=57,5mm + 6H Rd 6,9mm	1				
26	5024010068-9	Smooth Washer Ø13,3 X Ø35,5 X 3,00mm	2					56	5204010149-7	Left Disc Hub		1	1		

• Table Row W/Concave Compaction Wheel and Frieze 40mm

Item	Code	Product description	All	Large Right	Small Right	Large Left	Small Left	Item	Code	Product description	All	Large Right	Small Right	Large Left	Small Left
56	5204010150-0	Right Disc Hub				1	1	87	6020311065-3	Hexagonal Head Bolt 1/2" X 4" 12FW Gr5 Rp	1				
57	6010600786-4	Deph Limiter Ring (40mm)	1					88	5432060014-9	Handle 5/8" X 131mm	1				
58	5204010150-0	Right Disc Hub		1	1			89	6020010404-0	Pressure Washer 5/16" Media Industry	10				
58	5204010149-7	Left Disc Hub				1	1	90	6020310744-0	Hexagonal Nut 5/16" 18F Unc Gr5 Ch.1/2" Height 6,50mm	10				
59	2857398003-6	Coulter Plain Disc Blade 15 X 4,00 Hc Rd 80mm + 6H Rd 8,7mm R=57,5mm + 6H Rd 6,9mm	1					91	6020311017-3	Hexagonal Head Bolt 5/16" X 1.1/2" 18F Unc Gr2 Rt	5				
60	6020310454-8	Hexagonal Nut M8 X 1,25 Ma Cl8 Ch.13mm H.6,50mm	6					92	6020312020-9	Hexagonal Head Bolt 5/16" X 3/4" 18F Unc1A Gr5 Rt	5				
61	6020010004-5	Pressure Washer M8 Media	6					93	5018010016-1	Rubber Wheel Rim	2				
62	6020310235-9	Bolt M8 X 1,25 X 25mm Cl8.8 Rt	6					94	6020350007-9	Bearing 6206(Skf-Nsk-Timken)	2				
63	6020010289-7	Retaining Ring I-55	2					95	6020350204-7	Retainer Ø25,00 X Ø47,00 X 10,00mm	2				
64	6020050101-5	Cotterpin 1/8" X 1"	2					96	6020010813-5	Convex Compaction Rim 99-8	1				
65	5204010148-9	Hub Of Ø136 X 54mm	2					97	5204020047-9	Wheel Hub	2				
66	6020010095-9	Gasket Ring 047X 052X 2mm	2					98	5080030028-0	Large Bushing Of Compactor Wheel	1				
67	6020350268-3	Retainer Ø36,00 X Ø52,00 X 11,00mm	2					99	6020310349-5	Hexagonal Head Bolt M12 X 1,75 X 30mm Cl8.8 R Wth Point	2				
68	5232010076-3	Shaft Ø36 X 94mm With Left Thread	1					100	6020250437-2	Helical Spring Ø43,5 X Ø54,5 X 700mm External		1		1	
68	5232010077-1	Shaft Ø36 X 94mm With Right Thread	1					100	6020250267-1	Helical Spring Ø43,5 X Ø54,5 X 600mm External			1		1
69	6020010513-6	Plain Washer Ø20 X Ø35 X 3mm	2					101	6020390294-0	Lock Nma - Type "R" Ø3,5 X 67mm(Special)	1				
70	6020310797-0	Nut 3/4" 16F Unf Gr5 Ch.1.1/16" Height 13,00mm	2					102	5566040144-9	Rod Of Spring De 935,5mm		1		1	
71	6020350087-7	Bearing 30204	4					102	5566040141-4	Rod Spring			1		1
72	6020050641-6	Hub Cap	2					103	5080011663-2	Fixation Support Of Spring Rod	1				
73	5080020772-7	Bushing Of Ø14,3 X Ø1.1/4" X 18,5mm	2					104	6020250435-6	Helical Spring Ø17,5 X Ø25,5 X 700mm Internal		1		1	
74	6020010410-5	Pressure Washer 1/2" Media Industry	2					104	6020250275-2	Helical Spring Ø17,5 X Ø25,5 X 600mm Internal			1		1
75	6020312060-8	Hexagonal Head Bolt 1/2" X 2.1/4" 12FW Gr5 Rp	2					105	5530016364-4	Lower Support Of Triple Spring	1				
76	6020310754-7	Hexagonal Nut 1/2" 12F W Gr5 Ch.7/8" Height 12,00mm	2					106	6020250436-4	Helical Spring Ø30,5 X Ø41,5 X 700mm		1		1	
77	5530010827-9	Fixation Support Of Wheel	1					106	6020250273-6	Helical Spring Ø30,5 X Ø41,5 X 600mm			1		1
78	5124080044-0	Row Of Concave Compaction Wheel	1												
79	5080020484-1	Bushing Of Ø13,1 X Ø31,5 X 12,5mm	2												
80	5498100018-0	Complete Compaction Wheel Concav	1												
81	5530180056-7	Small Oscilating Support	1												
82	6020310051-8	Hexagonal Head Bolt 1/2" X 1.1/4" 12F W Gr5 Rt	2												
83	6020010410-5	Pressure Washer 1/2" Media Industry	3												
84	6020250317-1	Helical Spring Ø23 X Ø31 X 88mm	1												
85	6020310754-7	Hexagonal Nut 1/2" 12F W Gr5 Ch.7/8" Height 12,00mm	1												
86	6020390308-4	Lock Nma - Type "R" Ø4,5 X 80mm	1												

• Row W/Convex Compactation Wheel



* Item 2 - See page 96

• Table Row W/Convex Compactation Wheel

Item	Code	Product description	All								Item	Code	Product description	All									
			Large Right W/Cutting Disc	Small Right W/Cutting Disc	Large Left W/Cutting Disc	Small Left W/Cutting Disc	Large Right Without Cutting Disc	Small Right Without Cutting Disc	Large Left Without Cutting Disc	Small Left Without Cutting Disc				Large Right W/Cutting Disc	Small Right W/Cutting Disc	Large Left W/Cutting Disc	Small Left W/Cutting Disc	Large Right Without Cutting Disc	Small Right Without Cutting Disc	Large Left Without Cutting Disc	Small Left Without Cutting Disc		
1	2517010625-6	Large Right Row Unit (SPD Special)	1				1				23	5432030173-7	Pin Ø5/8" X 46mm	1									
1	2517010623-0	Small Right Row Unit (SPD Special)		1				1			24	6020050101-5	Cotterpin 1/8" X 1"	1									
1	2517010624-8	Large Left Row Unit (SPD Special)			1					1	25	5068010081-8	Clamp Of 84 X 64 X R.1/2" W		3		3		3			3	
1	2517010622-1	Small Left Row Unit (SPD Special)				1				1	26	6020310756-3	Hexagonal Nut 1/2" 12F W Gr5 Ch.3/4" Height 11,00mm		2		2		2			2	
*2	5124010379-0	Complete Row Of Convex Compactation Wheel (SPD)	1								27	5526010018-0	Separator Of Rows	2									
3	5124010337-4	Complete Row Of Rippled Coulter Disc Blade	1	1	1	1					28	5040121052-8	Bar 38 X 130 X 12,5mm			1		1		1		1	
4	5040140058-0	Bar Of 2" X 1/2" X 554mm	2								29	6020311065-3	Hexagonal Head Bolt 1/2" X 4" 12F W Gr5 Rp			4		4		4		4	
5	5124010372-2	Complete Row Of Double Disc Fertilizer/Seed (Excentric) Special	1	1			1	1			30	6020310054-2	Hexagonal Head Bolt 3/8" X 1" 16F Unc1A Gr2 Rt	1									
5	5124010373-0	Left Row Of Fertilizer/Seed Double Disc (Excentric) Special			1	1				1	31	5204010160-8	Complete Left Hub For Limiter Ring (Plain Disc 15" X 4,00mm)	1									
6	6020311061-0	Hexagonal Head Bolt 1/2" X 3.1/2" 12F W Gr5 Rp	4	2	4	2	4	2	4	2	32	5024010024-7	Smooth Washer Ø20 X Ø38 X 1,21mm	6									
7	6020010410-5	Pressure Washer 1/2" Media Industry	10	6		6	10	6		6	33	5096040002-7	Hub Internal Cap	2									
8	6020310754-7	Hexagonal Nut 1/2" 12F W Gr5 Ch.7/8" Height 12,00mm	8	6	18	6	8	6	18	6	34	6020310746-6	Hexagonal Nut 3/8" 16F Unc Gr5 Ch.9/16" Height 8,50mm	1									
9	6020310760-1	Hexagonal Nut 5/8" 11F Unc Gr5 Ch.1.1/16" Height 15,00mm	3								35	5024010075-1	Smooth Washer Ø10,3 X Ø25 X 2,00mm	2									
10	5252040056-7	Row Hitch	1								36	5530011577-1	Right Support Of Fertilizer And Seed Large Double Disc (Descentrado)		1	1			1	1			
11	6010601347-3	Fixation Shank Of Coulter Disc	1								36	5530011576-3	Left Support Of Large Fertilizer/Seed Large Double Disc				1	1			1	1	
12	6020311079-3	Hexagonal Head Bolt 5/8" X 3.1/2" 11F Unc1A Gr5 Rp	2								37	5204010159-4	Complete Right Hub For Limiter Ring(Coulter Disc Blade 15" X 4,00mm)	1									
13	6020010412-1	Pressure Washer 5/8" Media Industry	3								38	5352030056-9	Internal Left Scraper Of Disc	1									
14	6020310738-5	Hexagonal Nut 5/8" 11F Unc Gr5 Ch.1.1/16" Height 11,00mm	1								39	6020010406-7	Pressure Washer 3/8" Media Industry	1									
15	5572012100-9	Square Beam Of 50 X 800mm Complete	1								40	5352030057-7	Internal Right Scraper Of Disc	1									
16	6020130100-1	Grease Fitting 1/4"	1								41	6020310235-9	Bolt M8 X 1,25 X 25mm Cl8.8 Rt	12									
17	6020311082-3	Hexagonal Head Bolt 5/8" X 5.1/2" 11F Unc1A Gr5 Rp	1								42	5204010149-7	Left Disc Hub	1									
18	5080010539-8	Row Articulation Bushing	1								42	5204010150-0	Right Disc Hub	1									
19	6010601280-9	Upper Lock Of Triple Spring	1								43	2857398003-6	Coulter Plain Disc Blade 15 X 4,00 Hc Rd 80mm + 6H Rd 8,7mm	2									
20	5566010045-7	Small Rod Of Spring		1		1		1		1	44	6020310454-8	Hexagonal Nut M8 X 1,25 Ma Cl8 Ch.13mm H.6,50mm	12									
20	5566010046-5	Rod Of Triple Spring (Small)			1		1		1	1	45	6020010004-5	Pressure Washer M8 Media	12									
21	6010601172-1	Lower Support Of Rod (Small)		1		1		1		1	46	6020010289-7	Retaining Ring I-55	2									
21	6010601195-0	Lower Support Of Rod (Large)			1		1		1	1	47	6020050101-5	Cotterpin 1/8" X 1"	2									
22	5024010059-0	Smooth Washer Ø16,5 X Ø29 X 1,21mm	1								48	5204010148-9	Hub Of Ø136 X 54mm	2									

• Table Row W/Convex Compactation Wheel

Item	Code	Product description	All	Large Right W/Cutting Disc	Small Right W/Cutting Disc	Large Left W/Cutting Disc	Small Left W/Cutting Disc	Large Right Without Cutting Disc	Small Right Without Cutting Disc	Large Left Without Cutting Disc	Small Left Without Cutting Disc
49	6020010095-9	Gasket Ring 047X 052X 2mm	2								
50	6020350268-3	Retainer Ø36,00 X Ø52,00 X 11,00mm	2								
51	5232010076-3	Shaft Ø36 X 94mm With Left Thread	1								
51	5232010077-1	Shaft Ø36 X 94mm With Right Thread	1								
52	6020010513-6	Plain Washer Ø20 X Ø35 X 3mm	2								
53	6020310797-0	Nut 3/4" 16F Unf Gr5 Ch.1.1/16" Height 13,00mm	2								
54	6020350087-7	Bearing 30204	4								
55	6020050641-6	Hub Cap	2								
56	5124010099-5	Rippled Coulter Disc Row	1	1	1	1					
57	5324050014-7	Complete Adjustment Support Guide	2	2	2	2					
58	6020010406-7	Pressure Washer 3/8" Media Industry	4	4	4	4					
59	6020311038-6	Hexagonal Head Bolt 3/8" X 4" 16F Unc1A Gr2 Rp	4	4	4	4					
60	6020310746-6	Hexagonal Nut 3/8" 16F Unc Gr5 Ch.9/16" Height 8,50mm	4	4	4	4					
61	5124010100-2	Row W/Rippled Coulter Disc Blade	1	1	1	1					
62	5530010406-0	Depth Regulator Support	1	1	1	1					
63	6020130108-7	Grease Fitting 1/8"	1	1	1	1					
64	6020310510-2	Heavy Elastic Pin Ø10 X 55mm	1	1	1	1					
65	5432010181-9	French Head Pin Ø11,20 X 90mm	1	1	1	1					
66	6020050101-5	Cotterpin 1/8" X 1"	1	1	1	1					
67	5080020787-5	Bushing Of Ø14 X Ø19 X 65mm	1	1	1	1					
68	6020311038-6	Hexagonal Head Bolt 3/8" X 4" 16F Unc1A Gr2 Rp	1	1	1	1					
69	6020010406-7	Pressure Washer 3/8" Media Industry	1	1	1	1					
70	6020310746-6	Hexagonal Nut 3/8" 16F Unc Gr5 Ch.9/16" Height 8,50mm	1	1	1	1					
71	5024010107-3	Smooth Washer Ø36 X Ø61 X 5,00mm	1	1	1	1					
72	6020310472-6	Heavy Elastic Pin Ø6 X 55mm	1	1	1	1					
73	6020310980-9	Hexagonal Head Bolt M10 X 1,50 X 40mm Cl8.8 Rt	6	6	6	6					
74	5530010405-2	Support Of Disc W/Hub	1	1	1	1					
74	3255397388-0	Rippled Plain Disc Blade 14 X 4,00 Hc Rd 80mm + 6H Rd 10,3mm	1	1	1	1					

Item	Code	Product description	All	Large Right W/Cutting Disc	Small Right W/Cutting Disc	Large Left W/Cutting Disc	Small Left W/Cutting Disc	Large Right Without Cutting Disc	Small Right Without Cutting Disc	Large Left Without Cutting Disc	Small Left Without Cutting Disc
75	6020010394-0	Pressure Washer M10 Media	6	6	6	6					
76	5284010001-4	Flange Of Disc Hub	1	1	1	1					
78	6020310822-5	Hexagonal Nut M10 X 1,50 Ma Cl8 Ch.17mm H.8,00mm	6	6	6	6					
79	6020010402-4	Pressure Washer 1/4" Media Industry	4	4	4	4					
80	6020130108-7	Grease Fitting 1/8"	1	1	1	1					
81	6020050640-8	Hub Cap	1	1	1	1					
82	6020310797-0	Nut 3/4" 16F Unf Gr5 Ch.1.1/16" Height 13,00mm	1	1	1	1					
83	5530160187-4	Support W/Shaft Of Disc	1	1	1	1					
84	6020350077-0	Bearing 44610/49	2	2	2	2					
85	6020050101-5	Cotterpin 1/8" X 1"	1	1	1	1					
86	6020350244-6	Retainer Ø35,00 X Ø58,00 X 10,00mm	1	1	1	1					
87	5024010258-4	Smooth Washer Ø20 X Ø38,5 X 3,00mm	1	1	1	1					
88	5204010090-3	Disc Hub	1	1	1	1					
89	6020190098-3	Gasket Ø50,3 X Ø73,5 X 1/64"	1	1	1	1					
90	6020311000-9	Hexagonal Head Bolt 1/4" X 1/2" 20F Unc1A Gr5 Rt	4	4	4	4					
91	6020310349-5	Hexagonal Head Bolt M12 X 1,75 X 30mm Cl8.8 R Wth Point	2								
92	6020250437-2	Helical Spring Ø43,5 X Ø54,5 X 700mm External	1		1		1		1		1
92	6020250267-1	Helical Spring Ø43,5 X Ø54,5 X 600mm External			1		1		1		1
93	6020390294-0	Lock Nma - Type "R" Ø3,5 X 67mm(Special)	1								
94	5566040144-9	Rod Of Spring De 935,5mm	1		1		1		1		1
94	5566040141-4	Rod Spring			1		1		1		1
95	5080011663-2	Fixation Support Of Spring Rod	1								
96	6020250435-6	Helical Spring Ø17,5 X Ø25,5 X 700mm Internal	1		1		1		1		1
96	6020250275-2	Helical Spring Ø17,5 X Ø25,5 X 600mm Internal			1		1		1		1
97	5530016364-4	Lower Support Of Triple Spring	1								
98	6020250436-4	Helical Spring Ø30,5 X Ø41,5 X 700mm	1		1		1		1		1
98	6020250273-6	Helical Spring Ø30,5 X Ø41,5 X 600mm			1		1		1		1

• Table Row W/Convex Compactation Wheel W/Regulator Support

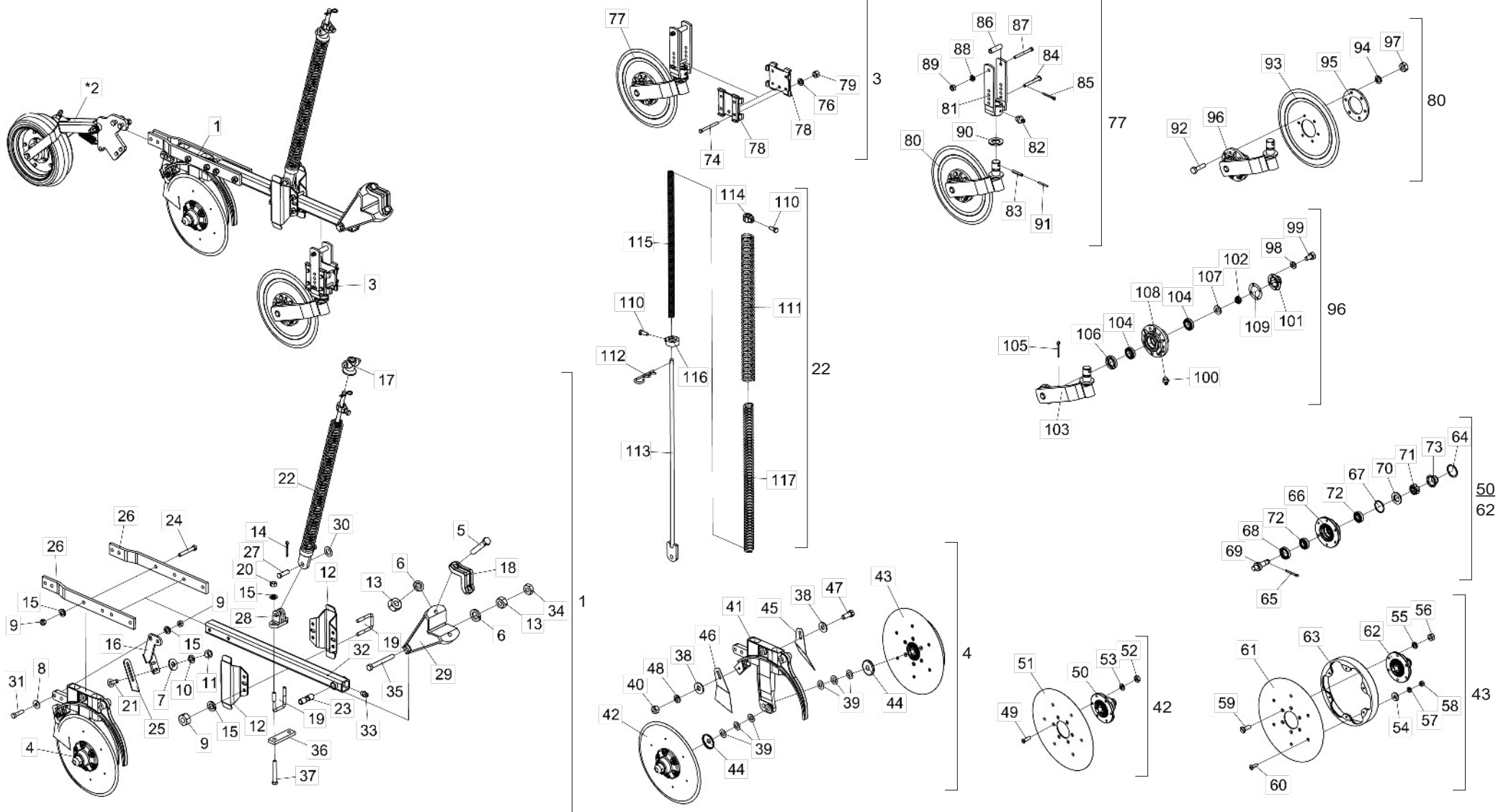
Item	Code	Product description	All	Large Right W/Cutting Disc	Small Right W/Cutting Disc	Large Left W/Cutting Disc	Small Left W/Cutting Disc	Large Right Without Cutting Disc	Small Right Without Cutting Disc	Large Left Without Cutting Disc	Small Left Without Cutting Disc	Item	Code	Product description	All	Large Right W/Cutting Disc	Small Right W/Cutting Disc	Large Left W/Cutting Disc	Small Left W/Cutting Disc	Large Right Without Cutting Disc	Small Right Without Cutting Disc	Large Left Without Cutting Disc	Small Left Without Cutting Disc	
1	2517010847-0	Large Right Row Unit W/Straight Bar (SPD-E)	1					1				23	6020310754-7	Hexagonal Nut 1/2" 12F W Gr5 Ch.7/8" Height 12,00mm	8	6	8	6	8	6	8	6		
1	2517010845-3	Small Right Row Unit W/Straight Bar (SPD-E)			1				1			24	6020310756-3	Hexagonal Nut 1/2" 12F W Gr5 Ch.3/4" Height 11,00mm	2		2		2		2			
1	2517010846-1	Large Left Row Unit W/Straight Bar (SPD-E)				1				1		25	5526010018-0	Separator Of Rows	2									
1	2517010844-5	Small Left Row Unit W/Straight Bar (SPD-E)					1				1	26	5040140064-5	Bar Of 2" X 1/2" X 518mm	2									
*2	5124010109-6	Row Of Convex Depth Wheel With Regulating Support	1									27	6020311061-0	Hexagonal Head Bolt 1/2" X 3.1/2" 12F W Gr5 Rp	4	2	4	2	4	2	4	2	4	2
3	5124010337-4	Complete Row Of Rippled Coulter Disc Blade	1	1	1	1						28	5040121052-8	Bar 38 X 130 X 12,5mm			1		1		1		1	
4	5124010372-2	Complete Row Of Double Disc Fertilizer/Seed (Excentric) Special	1	1				1	1			29	6020311065-3	Hexagonal Head Bolt 1/2" X 4" 12F W Gr5 Rp			4		4		4		4	
4	5124010373-0	Left Row Of Fertilizer/Seed Double Disc (Excentric) Special				1	1			1	1	30	5204010160-8	Complete Left Hub For Limiter Ring (Plain Disc 15" X 4,00mm)	1									
5	5252040056-7	Row Hitch	1									31	5024010024-7	Smooth Washer Ø20 X Ø38 X 1,21mm	6									
6	6010601347-3	Fixation Shank Of Coulter Disc	1									32	5096040002-7	Hub Internal Cap	2									
7	6020311079-3	Hexagonal Head Bolt 5/8" X 3.1/2" 11F Unc1A Gr5 Rp	2									33	6020310746-6	Hexagonal Nut 3/8" 16F Unc Gr5 Ch.9/16" Height 8,50mm	1									
8	6020010412-1	Pressure Washer 5/8" Media Industry	3									34	5024010075-1	Smooth Washer Ø10,3 X Ø25 X 2,00mm	2									
9	6020310760-1	Hexagonal Nut 5/8" 11F Unc Gr5 Ch.1.1/16" Height 15,00mm	3									35	5530011577-1	Right Support Of Fertilizer And Seed Large Double Disc (Descentrado)	1	1				1	1			
10	5080010539-8	Row Articulation Bushing	1									35	5530011576-3	Left Support Of Large Fertilizer/Seed Large Double Disc				1	1			1	1	
11	6020311082-3	Hexagonal Head Bolt 5/8" X 5.1/2" 11F Unc1A Gr5 Rp	1									36	5204010159-4	Complete Right Hub For Limiter Ring(Coulter Disc Blade 15" X 4,00mm)	1									
12	6020310738-5	Hexagonal Nut 5/8" 11F Unc Gr5 Ch.1.1/16" Height 11,00mm	1									37	5352030056-9	Internal Left Scraper Of Disc	1									
13	5572012100-9	Square Beam Of 50 X 800mm Complete	1									38	6020010406-7	Pressure Washer 3/8" Media Industry	1									
14	6020130100-1	Grease Fitting 1/4"	1									39	5352030057-7	Internal Right Scraper Of Disc	1									
15	6010601280-9	Upper Lock Of Triple Spring	1									40	6020310054-2	Hexagonal Head Bolt 3/8" X 1" 16F Unc1A Gr2 Rt	1									
16	5566010045-7	Small Rod Of Spring		1		1				1		41	5204010149-7	Left Disc Hub	1									
16	5566010046-5	Rod Of Triple Spring (Small)			1			1		1	1	41	5204010150-0	Right Disc Hub	1									
17	6010601172-1	Lower Support Of Rod (Small)		1		1				1	1	42	2857398003-6	Coulter Plain Disc Blade 15 X 4,00 Hc Rd 80mm + 6H Rd 8,7mm	2									
17	6010601195-0	Lower Support Of Rod (Large)			1			1		1	1	43	6020310235-9	Bolt M8 X 1,25 X 25mm Cl8.8 Rt	12									
18	5024010059-0	Smooth Washer Ø16,5 X Ø29 X 1,21mm	1									44	6020010004-5	Pressure Washer M8 Media	12									
19	5432030173-7	Pin Ø5/8" X 46mm	1									45	6020310454-8	Hexagonal Nut M8 X 1,25 Ma Cl8 Ch.13mm H.6,50mm	12									
20	6020050101-5	Cotterpin 1/8" X 1"	1									46	6020010289-7	Retaining Ring I-55	2									
21	5068010081-8	Clamp Of 84 X 64 X R.1/2" W		3		3		3		3	3	47	6020050101-5	Cotterpin 1/8" X 1"	2									
22	6020010410-5	Pressure Washer 1/2" Media Industry		10	6	10	6	10	6	10	6	48	5204010148-9	Hub Of Ø136 X 54mm	2									

• Table Row W/Convex Compactation Wheel W/Regulator Support

Item	Code	Product description	All	Large Right W/Cutting Disc	Small Right W/Cutting Disc	Large Left W/Cutting Disc	Small Left W/Cutting Disc	Large Right Without Cutting Disc	Small Right Without Cutting Disc	Large Left Without Cutting Disc	Small Left Without Cutting Disc
49	6020010095-9	Gasket Ring 047X 052X 2mm	2								
50	6020350268-3	Retainer Ø36,00 X Ø52,00 X 11,00mm	2								
51	5232010076-3	Shaft Ø36 X 94mm With Left Thread	1								
51	5232010077-1	Shaft Ø36 X 94mm With Right Thread	1								
52	6020010513-6	Plain Washer Ø20 X Ø35 X 3mm	2								
53	6020310797-0	Nut 3/4" 16F Unf Gr5 Ch.1.1/16" Height 13,00mm	2								
54	6020350087-7	Bearing 30204	4								
55	6020050641-6	Hub Cap	2								
56	5124010099-5	Rippled Coulter Disc Row	1	1	1	1	1				
57	5324050014-7	Complete Adjustment Support Guide	2	2	2	2	2				
58	6020010406-7	Pressure Washer 3/8" Media Industry	4	4	4	4	4				
59	6020311038-6	Hexagonal Head Bolt 3/8" X 4" 16F Unc1A Gr2 Rp	4	4	4	4	4				
60	6020310746-6	Hexagonal Nut 3/8" 16F Unc Gr5 Ch.9/16" Height 8,50mm	4	4	4	4	4				
61	5124010100-2	Row W/Rippled Coulter Disc Blade	1	1	1	1	1				
62	5530010406-0	Depth Regulator Support	1	1	1	1	1				
63	6020130108-7	Grease Fitting 1/8"	1	1	1	1	1				
64	6020310510-2	Heavy Elastic Pin Ø10 X 55mm	1	1	1	1	1				
65	5432010181-9	French Head Pin Ø11,20 X 90mm	1	1	1	1	1				
66	6020050101-5	Cotterpin 1/8" X 1"	1	1	1	1	1				
67	5080020787-5	Bushing Of Ø14 X Ø19 X 65mm	1	1	1	1	1				
68	6020311038-6	Hexagonal Head Bolt 3/8" X 4" 16F Unc1A Gr2 Rp	1	1	1	1	1				
69	6020010406-7	Pressure Washer 3/8" Media Industry	1	1	1	1	1				
70	6020310746-6	Hexagonal Nut 3/8" 16F Unc Gr5 Ch.9/16" Height 8,50mm	1	1	1	1	1				
71	5024010107-3	Smooth Washer Ø36 X Ø61 X 5,00mm	1	1	1	1	1				
72	6020310472-6	Heavy Elastic Pin Ø6 X 55mm	1	1	1	1	1				
43	6020310980-9	Hexagonal Head Bolt M10 X 1,50 X 40mm Cl8.8 Rt	6	6	6	6	6				
74	3255397388-0	Rippled Plain Disc Blade 14 X 4,00 Hc Rd 80mm + 6H Rd 10,3mm	1	1	1	1	1				
75	6020010394-0	Pressure Washer M10 Media	6	6	6	6	6				
76	5284010001-4	Flange Of Disc Hub	1	1	1	1	1				

Item	Code	Product description	All	Large Right W/Cutting Disc	Small Right W/Cutting Disc	Large Left W/Cutting Disc	Small Left W/Cutting Disc	Large Right Without Cutting Disc	Small Right Without Cutting Disc	Large Left Without Cutting Disc	Small Left Without Cutting Disc
77	5530010405-2	Support Of Disc W/Hub	1	1	1	1	1				
78	6020310822-5	Hexagonal Nut M10 X 1,50 Ma Cl8 Ch.17mm H.8,00mm	6	6	6	6	6				
79	6020010402-4	Pressure Washer 1/4" Media Industry	4	4	4	4	4				
80	6020130108-7	Grease Fitting 1/8"	1	1	1	1	1				
81	6020050640-8	Hub Cap	1	1	1	1	1				
82	6020310797-0	Nut 3/4" 16F Unf Gr5 Ch.1.1/16" Height 13,00mm	1	1	1	1	1				
83	5530160187-4	Support W/Shaft Of Disc	1	1	1	1	1				
84	6020350077-0	Bearing 44610/49	2	2	2	2	2				
85	6020050101-5	Cotterpin 1/8" X 1"	1	1	1	1	1				
86	6020350244-6	Retainer Ø35,00 X Ø58,00 X 10,00mm	1	1	1	1	1				
87	5024010258-4	Smooth Washer Ø20 X Ø38,5 X 3,00mm	1	1	1	1	1				
88	5204010090-3	Disc Hub	1	1	1	1	1				
89	6020190098-3	Gasket Ø50,3 X Ø73,5 X 1/64"	1	1	1	1	1				
90	6020311000-9	Hexagonal Head Bolt 1/4" X 1/2" 20F Unc1A Gr5 Rt	4	4	4	4	4				
91	6020310349-5	Hexagonal Head Bolt M12 X 1,75 X 30mm Cl8.8 R Wth Point	2								
92	6020250437-2	Helical Spring Ø43,5 X Ø54,5 X 700mm External	1	1	1	1	1				
92	6020250267-1	Helical Spring Ø43,5 X Ø54,5 X 600mm External	1	1	1	1	1				
93	6020390294-0	Lock Nma - Type "R" Ø3,5 X 67mm(Special)	1								
94	5566040144-9	Rod Of Spring De 935,5mm	1	1	1	1	1				
94	5566040141-4	Rod Spring	1	1	1	1	1				
95	5080011663-2	Fixation Support Of Spring Rod	1								
96	6020250435-6	Helical Spring Ø17,5 X Ø25,5 X 700mm Internal	1	1	1	1	1				
96	6020250275-2	Helical Spring Ø17,5 X Ø25,5 X 600mm Internal	1	1	1	1	1				
97	5530016364-4	Lower Support Of Triple Spring	1								
98	6020250436-4	Helical Spring Ø30,5 X Ø41,5 X 700mm	1	1	1	1	1				
98	6020250273-6	Helical Spring Ø30,5 X Ø41,5 X 600mm	1	1	1	1	1				

• Row W/Convex Compactation Wheel and Frieze 40mm



* Item 2 - See page 96

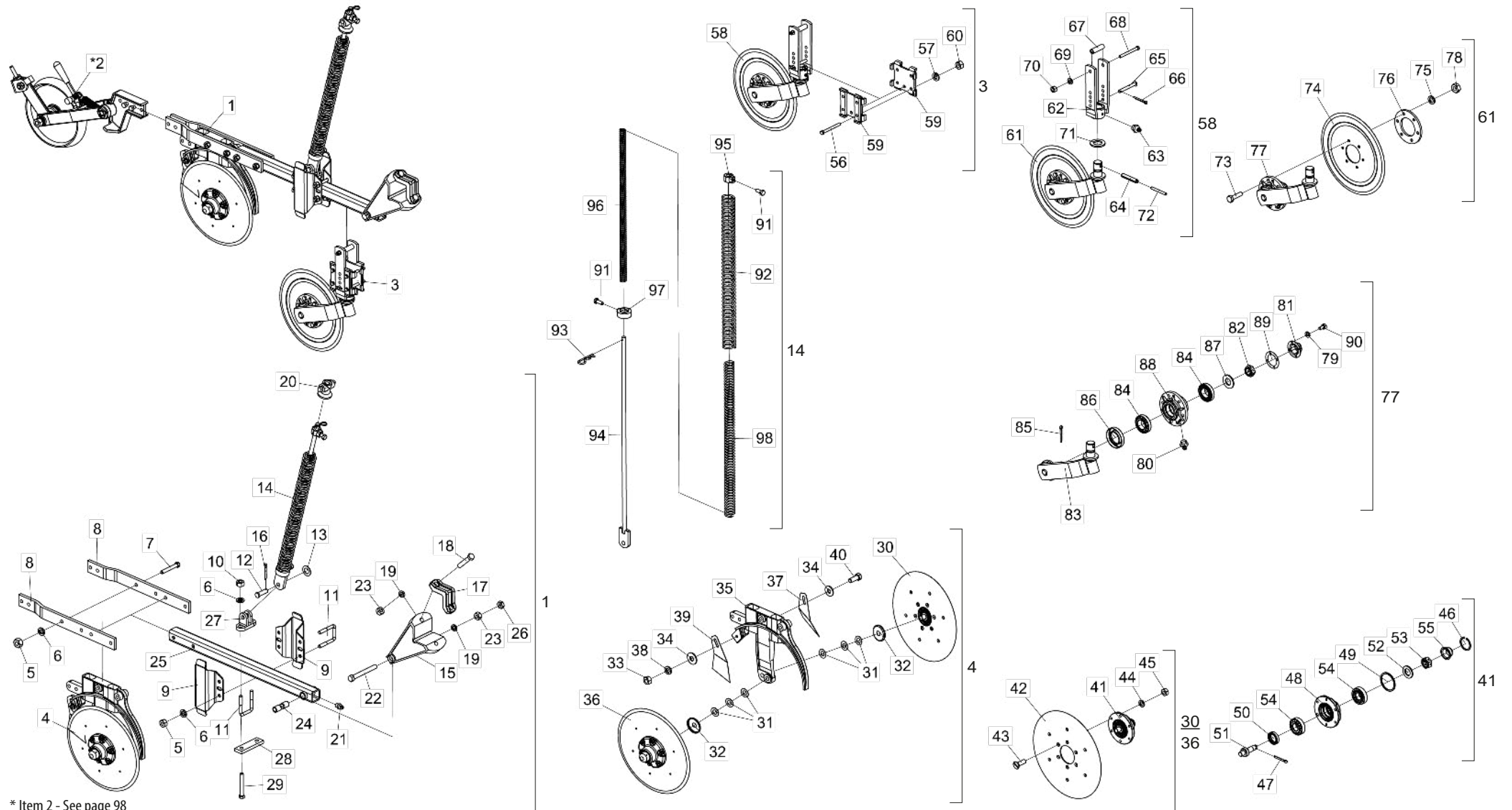
• Table Row W/Convex Compactation Wheel and Frieze 40mm

Item	Code	Product description	All	Large Right W/Cutting Disc				Small Right W/Cutting Disc												
				Large Right W/Cutting Disc	Small Right W/Cutting Disc	Large Left W/Cutting Disc	Small Left W/Cutting Disc	Large Right Without Cutting Disc	Small Right Without Cutting Disc	Large Left Without Cutting Disc	Small Left Without Cutting Disc									
1	2517012295-2	Large Right Row Unit W/Frieze Of 40mm (SPD Special)	1																	
1	2517012293-6	Small Right Row Unit W/Frieze Of 40mm (SPD Special)			1															
1	2517012294-4	Large Left Row Unit W/Frieze Of 40mm (SPD Special)					1													
1	2517012292-8	Small Left Row Unit W/Frieze Of 40mm (SPD Special)																		
*2	5124010379-0	Complete Row Of Convex Compactation Wheel (SPD)	1																	
3	5124010337-4	Complete Row Of Rippled Coulter Disc Blade		1	1	1	1													
4	5124010822-8	Fertilizer/Seed Double Disc Right Row W/Frieze 40mm (Decentered)		1	1															
4	5124010823-6	Fertilizer/Seed Double Disc Left Row W/Frieze 40mm (Decentered)				1	1													
5	6020311079-3	Hexagonal Head Bolt 5/8" X 3.1/2" 11F Unc1A Gr5 Rp	2																	
6	6020010412-1	Pressure Washer 5/8" Media Industry	3																	
7	5024010075-1	Smooth Washer Ø13,3 X Ø25 X 2,00mm	2																	
8	5024010068-9	Smooth Washer Ø13,3 X Ø35,5 X 3,00mm	2																	
9	6020310754-7	Hexagonal Nut 1/2" 12F W Gr5 Ch.7/8" Height 12,00mm		10	8	10	8	10	8	10	8	10	8							
10	6020010406-7	Pressure Washer 3/8" Media Industry	2																	
11	6020310746-6	Hexagonal Nut 3/8" 16F Unc Gr5 Ch.9/16" Height 8,50mm	2																	
12	5526010018-0	Separator Of Rowas	2																	
13	6020310760-1	Hexagonal Nut 5/8" 11F Unc Gr5 Ch.1.1/16" Height 15,00mm	3																	
14	6020050101-5	Cotterpin 1/8" X 1"	1																	
15	6020010410-5	Pressure Washer 1/2" Media Industry		12	8	12	8	12	8	12	8	12	8							
16	5530014452-6	Right Support Of Scraper				1	1													
16	5530014453-4	Left Support Of Scraper			1	1														
17	6010601280-9	Upper Lock Of Triple Spring	1																	
18	6010601347-3	Fixation Shank Of Coulter Disc	1																	
19	5068010081-8	Clamp Of 84 X 64 X R.1/2" W		3		3		3		3		3								
20	6020310756-3	Hexagonal Nut 1/2" 12F W Gr5 Ch.3/4" Height 11,00mm		2		2		2		2		2								
21	6020311160-9	French Head Bolt 3/8" X 1" 16F Unc1A Gr2 Rt	2																	
22	5566010045-7	Small Rod Of Spring		1		1		1		1		1								
22	5566010046-5	Rod Of Triple Spring (Small)				1		1		1		1								
23	5080010539-8	Row Articulation Bushing	1																	
24	6020311061-0	Hexagonal Head Bolt 1/2" X 3.1/2" 12F W Gr5 Rp		4	2	4	2	4	2	4	2	4	2							
25	5352010048-9	Limiter Of Limiter Rim	1																	
26	5040140058-0	Bar Of 2" X 1/2" X 554mm	2																	
27	5432030173-7	Pin Ø5/8" X 46mm	1																	
28	6010601172-1	Lower Support Of Rod (Small)		1		1		1		1		1								
28	6010601195-0	Lower Support Of Rod (Large)				1		1		1		1								
29	5252040056-7	Row Hitch	1																	
30	5024010059-0	Smooth Washer Ø16,5 X Ø29 X 1,21mm	1																	
31	6020310049-6	Hexagonal Head Bolt 1/2" X 2" 12F W Gr5 Rp	2																	
32	5572012100-9	Square Beam Of 50 X 800mm Complete	1																	
33	6020130100-1	Grease Fitting 1/4"	1																	
34	6020310738-5	Hexagonal Nut 5/8" 11F Unc Gr5 Ch.1.1/16" Height 11,00mm	1																	
35	6020311082-3	Hexagonal Head Bolt 5/8" X 5.1/2" 11F Unc1A Gr5 Rp	1																	
36	5040121052-8	Bar 38 X 130 X 12,5mm				1		1		1		1		1		1		1		1
37	6020311065-3	Hexagonal Head Bolt 1/2" X 4" 12F W Gr5 Rp								4		4		4		4		4		4
38	5024010075-1	Smooth Washer Ø10,3 X Ø25 X 2,00mm	2																	
39	5024010024-7	Smooth Washer Ø20 X Ø38 X 1,21mm	6																	
40	6020310746-6	Hexagonal Nut 3/8" 16F Unc Gr5 Ch.9/16" Height 8,50mm	1																	
41	5530011577-1	Right Support Of Fertilizer And Seed Large Double Disc (Descentrado)		1	1					1	1			1	1					
41	5530011576-3	Left Support Of Large Fertilizer/Seed Large Double Disc				1	1			1	1			1	1					
42	5204010159-4	Complete Right Hub For Limiter Ring (Coulter Disc Blade 15" X 4,00mm)		1	1					1	1			1	1					
42	5204010160-8	Complete Left Hub For Limiter Ring (Plain Disc 15" X 4,00mm)								1	1			1	1					
43	5204010508-5	Complete Left Hub W/Limiter Frieze 40mm (Plan Disc 15" X 4,00mm)		1	1					1	1			1	1					
43	5204010507-7	Complete Right Hub W/Limiter Frieze 40mm (Plan Disc 15" X 4,00mm)								1	1			1	1					
44	5096040002-7	Hub Internal Cap	2																	
45	5352030056-9	Internal Left Scraper Of Disc	1																	
46	5352030057-7	Internal Right Scraper Of Disc	1																	
47	6020310054-2	Hexagonal Head Bolt 3/8" X 1" 16F Unc1A Gr2 Rt	1																	
48	6020010406-7	Pressure Washer 3/8" Media Industry	1																	
49	6020310235-9	Bolt M8 X 1,25 X 25mm Cl8.8 Rt	6																	
50	5204010150-0	Right Disc Hub		1	1					1	1			1	1					
50	5204010149-7	Left Disc Hub								1	1			1	1					
51	2857398003-6	Coulter Plain Disc Blade 15 X 4,00 Hc Rd 80mm + 6H Rd 8,7mm	1																	
52	6020310454-8	Hexagonal Nut M8 X 1,25 Ma Cl8 Ch.13mm H.6,50mm	6																	
53	6020010004-5	Pressure Washer M8 Media	6																	
54	5024010161-8	Smooth Washer Ø7 X Ø18 X 2,00mm	6																	
55	6020010004-5	Pressure Washer M8 Media	6																	
56	6020310454-8	Hexagonal Nut M8 X 1,25 Ma Cl8 Ch.13mm H.6,50mm	6																	
57	6020010122-0	Pressure Washer M6 Media	6																	
58	6020311257-5	Hexagonal Nut M6 X 1,00 Ma Cl8 Ch.10mm H.5,00mm	6																	
59	6020310235-9	Bolt M8 X 1,25 X 25mm Cl8.8 Rt	6																	
60	6020317441-4	Bolt M6 X 1,00 X 20mm Cl8.8 Rt	6																	
61	2857398003-6	Coulter Plain Disc Blade 15 X 4,00 Hc Rd 80mm + 6H Rd 8,7mm	1																	
62	5204010149-7	Left Disc Hub				1	1			1	1			1	1					
62	5204010150-0	Right Disc Hub												1	1					
63	6010600786-4	Depth Limiter Ring (40mm)	1																	
64	6020010289-7	Retaining Ring I-55	2																	

• Table Row W/Convex Compactation Wheel and Frieze 40mm

Item	Code	Product description	All	Large Right W/Cutting Disc		Small Right W/Cutting Disc		Large Left W/Cutting Disc		Small Left W/Cutting Disc		Large Right Without Cutting Disc		Small Right Without Cutting Disc		Large Left Without Cutting Disc		Small Left Without Cutting Disc		
65	6020050101-5	Cotterpin 1/8" X 1"	2																	
66	5204010148-9	Hub Of Ø136 X 54mm	2																	
67	6020010095-9	Gascket Ring 047X 052X 2mm	2																	
68	6020350268-3	Retainer Ø36,00 X Ø52,00 X 11,00mm	2																	
69	5232010076-3	Shaft Ø36 X 94mm With Left Thread	1																	
69	5232010077-1	Shaft Ø36 X 94mm With Right Thread	1																	
70	6020010513-6	Plain Washer Ø20 X Ø35 X 3mm	2																	
71	6020310797-0	Nut 3/4" 16F Unf Gr5 Ch.1.1/16" Height 13,00mm	2																	
72	6020350087-7	Bearing 30204	4																	
73	6020050641-6	Hub Cap	2																	
74	6020311038-6	Hexagonal Head Bolt 3/8" X 4" 16F Unc1A Gr2 Rp	4	4	4	4	4													
76	6020010406-7	Pressure Washer 3/8" Media Industry	4	4	4	4	4													
77	5124010099-5	Rippled Coulter Disc Row	1	1	1	1	1													
78	5324050014-7	Complete Adjustment Support Guide	2	2	2	2	2													
79	6020310746-6	Hexagonal Nut 3/8" 16F Unc Gr5 Ch.9/16" Height 8,50mm	4	4	4	4	4													
80	5124010100-2	Row W/Rippled Coulter Disc Blade	1	1	1	1	1													
81	5530010406-0	Depth Regulator Support	1	1	1	1	1													
82	6020130108-7	Grease Fitting 1/8"	1	1	1	1	1													
83	6020310510-2	Heavy Elastic Pin Ø10 X 55mm	1	1	1	1	1													
84	5432010181-9	French Head Pin Ø11,20 X 90mm	1	1	1	1	1													
85	6020050101-5	Cotterpin 1/8" X 1"	1	1	1	1	1													
86	5080020787-5	Bushing Of Ø14 X Ø19 X 65mm	1	1	1	1	1													
87	6020311038-6	Hexagonal Head Bolt 3/8" X 4" 16F Unc1A Gr2 Rp	1	1	1	1	1													
88	6020010406-7	Pressure Washer 3/8" Media Industry	1	1	1	1	1													
89	6020310746-6	Hexagonal Nut 3/8" 16F Unc Gr5 Ch.9/16" Height 8,50mm	1	1	1	1	1													
90	5024010107-3	Smooth Washer Ø36 X Ø61 X 5,00mm	1	1	1	1	1													
91	6020310472-6	Heavy Elastic Pin Ø6 X 55mm	1	1	1	1	1													
92	6020310980-9	Hexagonal Head Bolt M10 X 1,50 X 40mm Cl8.8 Rt	6	6	6	6	6													
93	3255397388-0	Rippled Plain Disc Blade 14 X 4,00 Hc Rd 80mm + 6H Rd 10,3mm	1	1	1	1	1													
94	6020010394-0	Pressure Washer M10 Media	6	6	6	6	6													
95	5284010001-4	Flange Of Disc Hub	1	1	1	1	1													
96	5530010405-2	Support Of Disc W/Hub	1	1	1	1	1													
97	6020310822-5	Hexagonal Nut M10 X 1,50 Ma Cl8 Ch.17mm H.8,00mm	6	6	6	6	6													
98	6020010402-4	Pressure Washer 1/4" Media Industry	4	4	4	4	4													
99	6020311000-9	Hexagonal Head Bolt 1/4" X 1/2" 20F Unc1A Gr5 Rt	4	4	4	4	4													
100	6020130108-7	Grease Fitting 1/8"	1	1	1	1	1													
101	6020050640-8	Hub Cap	1	1	1	1	1													
102	6020310797-0	Nut 3/4" 16F Unf Gr5 Ch.1.1/16" Height 13,00mm	1	1	1	1	1													
103	5530160187-4	Support W/Shaft Of Disc		1	1	1	1													
104	6020350077-0	Bearing 44610/49		2	2	2	2													
105	6020050101-5	Cotterpin 1/8" X 1"		1	1	1	1													
106	6020350244-6	Retainer Ø35,00 X Ø58,00 X 10,00mm		1	1	1	1													
107	5024010258-4	Smooth Washer Ø20 X Ø38,5 X 3,00mm		1	1	1	1													
108	5204010090-3	Disc Hub		1	1	1	1													
109	6020190098-3	Gascket Ø50,3 X Ø73,5 X 1/64"		1	1	1	1													
110	6020310349-5	Hexagonal Head Bolt M12 X 1,75 X 30mm Cl8.8 RWth Point	2																	
111	6020250437-2	Helical Spring Ø43,5 X Ø54,5 X 700mm External		1		1				1										
111	6020250267-1	Helical Spring Ø43,5 X Ø54,5 X 600mm External			1					1					1					1
112	6020390294-0	Lock Nma - Type "R" Ø3,5 X 67mm(Special)	1																	
113	5566040144-9	Rod Of Spring De 935,5mm		1		1				1				1					1	
113	5566040141-4	Rod Spring			1					1				1					1	1
114	5080011663-2	Fixation Support Of Spring Rod	1																	
115	6020250435-6	Helical Spring Ø17,5 X Ø25,5 X 700mm Internal		1		1				1				1					1	
115	6020250275-2	Helical Spring Ø17,5 X Ø25,5 X 600mm Internal			1					1				1					1	1
116	5530016364-4	Lower Support Of Triple Spring	1																	
117	6020250436-4	Helical Spring Ø30,5 X Ø41,5 X 700mm		1		1				1				1					1	
117	6020250273-6	Helical Spring Ø30,5 X Ø41,5 X 600mm			1					1				1					1	1

• Row W/ Iron Compactation Wheel



* Item 2 - See page 98

• Table Row W/ Iron Compaction Wheel

Item	Code	Product description	All	Large Right W/Plain Cutting Disc	Small Right W/Plain Cutting Disc	Large Left W/Plain Cutting Disc	Small Left W/Plain Cutting Disc	Large Right W/Rippled Cutting Disc	Small Right W/Rippled Cutting Disc	Large Left W/Rippled Cutting Disc	Small Left W/Rippled Cutting Disc	Large Right Without Cutting Disc	Small Right Without Cutting Disc	Large Left Without Cutting Disc	Small Left Without Cutting Disc
52	6020010513-6	Plain Washer Ø20 X Ø35 X 3mm	2												
53	6020310797-0	Nut 3/4" 16F Unf Gr5 Ch.1.1/16" Height 13,00mm	2												
54	6020350087-7	Bearing 30204	4												
55	6020050641-6	Hub Cap	2												
56	6020311038-6	Hexagonal Head Bolt 3/8" X 4" 16F Unc1A Gr2 Rp	4	4	4	4	4	4	4	4	4				
57	6020010406-7	Pressure Washer 3/8" Media Industry	4	4	4	4	4	4	4	4	4				
58	5124010102-9	Plain Coulter Disc Row	1	1	1	1									
58	5124010099-5	Rippled Coulter Disc Row					1	1	1	1					
59	5324050014-7	Complete Adjustment Support Guide	2	2	2	2	2	2	2	2	2				
60	6020310746-6	Hexagonal Nut 3/8" 16F Unc Gr5 Ch.9/16"	4	4	4	4	4	4	4	4	4				
61	5124010101-0	Row With Plain Coulter Disc	1	1	1	1									
61	5124010100-2	Row W/Rippled Coulter Disc Blade						1	1	1	1				
62	5530010406-0	Depth Regulator Support	1												
63	6020130108-7	Grease Fitting 1/8"	1												
64	6020310510-2	Heavy Elastic Pin Ø10 X 55mm	1												
65	5432010181-9	French Head Pin Ø11,20 X 90mm	1												
66	6020050101-5	Cotterpin 1/8" X 1"	1												
67	5080020787-5	Bushing Of Ø14 X Ø19 X 65mm	1												
68	6020311038-6	Hexagonal Head Bolt 3/8" X 4" 16F Unc1A Gr2 Rp	1												
69	6020010406-7	Pressure Washer 3/8" Media Industry	1												
70	6020310746-6	Hexagonal Nut 3/8" 16F Unc Gr5 Ch.9/16"	1												
71	5024010107-3	Smooth Washer Ø36 X Ø61 X 5,00mm	1												
72	6020310472-6	Heavy Elastic Pin Ø6 X 55mm	1												
73	6020310980-9	Hexagonal Head Bolt M10 X 1,50 X 40mm Cl8.8 Rt	6												
74	2855397388-2	Coulter Plain Disc Blade 14 X 4,00 Hc Rd 80mm		1	1	1	1								
74	3255397388-0	Rippled Plain Disc Blade 14 X 4,00 Hc Rd 80mm						1	1	1	1				
75	6020010394-0	Pressure Washer M10 Media	6												
76	5284010001-4	Flange Of Disc Hub	1												
77	5530010405-2	Support Of Disc W/Hub	1												
78	6020310822-5	Hexagonal Nut M10 X 1,50 Ma Cl8 Ch.17mm	6												
79	6020010402-4	Pressure Washer 1/4" Media Industry	4												

Item	Code	Product description	All	Large Right W/Plain Cutting Disc	Small Right W/Plain Cutting Disc	Large Left W/Plain Cutting Disc	Small Left W/Plain Cutting Disc	Large Right W/Rippled Cutting Disc	Small Right W/Rippled Cutting Disc	Large Left W/Rippled Cutting Disc	Small Left W/Rippled Cutting Disc	Large Right Without Cutting Disc	Small Right Without Cutting Disc	Large Left Without Cutting Disc	Small Left Without Cutting Disc
80	6020130108-7	Grease Fitting 1/8"	1												
81	6020050640-8	Hub Cap	1												
82	6020310797-0	Nut 3/4" 16F Unf Gr5 Ch.1.1/16" Height 13,00mm	1												
83	5530160187-4	Support W/Shaft Of Disc	1												
84	6020350077-0	Bearing 44610/49	2												
85	6020050101-5	Cotterpin 1/8" X 1"	1												
86	6020350244-6	Retainer Ø35,00 X Ø58,00 X 10,00mm	1												
87	5024010258-4	Smooth Washer Ø20 X Ø38,5 X 3,00mm	1												
88	5204010090-3	Disc Hub	1												
89	6020190098-3	Gasket Ø50,3 X Ø73,5 X 1/64"	1												
90	6020311000-9	Hexagonal Head Bolt 1/4" X 1/2" 20F Unc1A Gr5 Rt	4												
91	6020310349-5	Hexagonal Head Bolt M12 X 1,75 X 30mm Cl8.8	2												
92	6020250437-2	Helical Spring Ø43,5 X Ø54,5 X 700mm External		1		1		1		1		1		1	
92	6020250267-1	Helical Spring Ø43,5 X Ø54,5 X 600mm External			1		1		1		1		1		1
93	6020390294-0	Lock Nma - Type "R" Ø3,5 X 67mm(Special)	1												
94	5566040144-9	Rod Of Spring De 935,5mm		1		1		1		1		1		1	
94	5566040141-4	Rod Spring			1		1		1		1		1		1
95	5080011663-2	Fixation Support Of Spring Rod	1												
96	6020250435-6	Helical Spring Ø17,5 X Ø25,5 X 700mm Internal		1		1		1		1		1		1	
96	6020250275-2	Helical Spring Ø17,5 X Ø25,5 X 600mm Internal			1		1		1		1		1		1
97	5530016364-4	Lower Support Of Triple Spring	1												
98	6020250436-4	Helical Spring Ø30,5 X Ø41,5 X 700mm		1		1		1		1		1		1	
98	6020250273-6	Helical Spring Ø30,5 X Ø41,5 X 600mm			1		1		1		1		1		1

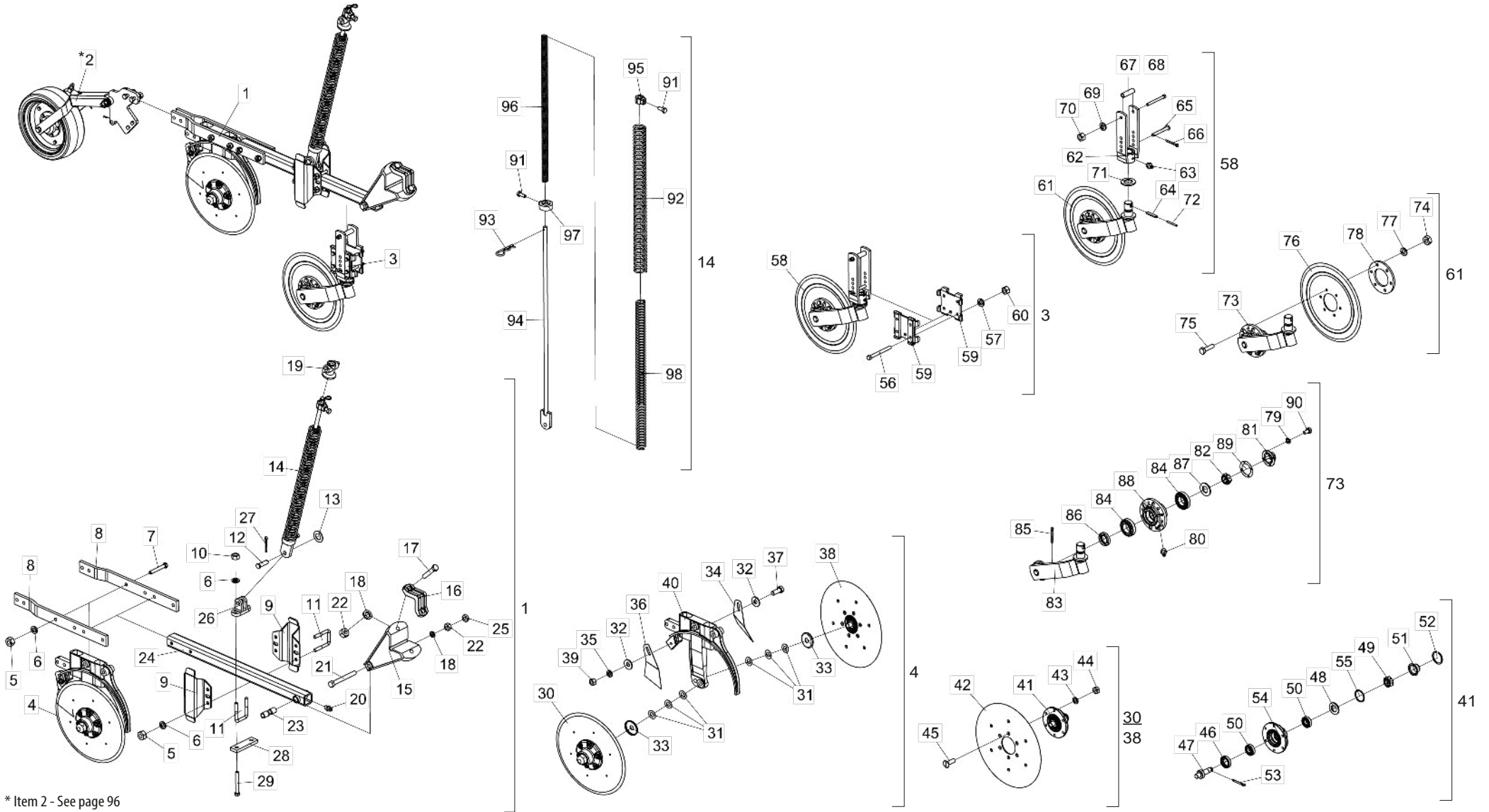
• Table Row W/ Iron Compaction Wheel and Frieze 40mm

Item	Code	Product description	All	Large Right W/Cutting Disc	Small Right W/Cutting Disc	Large Left W/Cutting Disc	Small Left W/Cutting Disc	Large Right Without Cutting Disc	Small Right Without Cutting Disc	Large Left Without Cutting Disc	Small Left Without Cutting Disc	Item	Code	Product description	All	Large Right W/Cutting Disc	Small Right W/Cutting Disc	Large Left W/Cutting Disc	Small Left W/Cutting Disc	Large Right Without Cutting Disc	Small Right Without Cutting Disc	Large Left Without Cutting Disc	Small Left Without Cutting Disc
1	2517012295-2	Large Right Row Unit W/Frieze Of 40mm (SPD Special)	1					1				28	6010601172-1	Lower Support Of Rod (Small)		1				1			
1	2517012293-6	Small Right Row Unit W/Frieze Of 40mm (SPD Special)		1					1			28	6010601195-0	Lower Support Of Rod (Large)			1		1		1		1
1	2517012294-4	Large Left Row Unit W/Frieze Of 40mm (SPD Special)				1				1		29	5252040056-7	Row Hitch	1								
1	2517012292-8	Small Left Row Unit W/Frieze Of 40mm (SPD Special)					1				1	30	5024010059-0	Smooth Washer Ø16,5 X Ø29 X 1,21mm	1								
*2	5124010577-6	Row Of Right Iron Complete Compaction Wheel	1	1				1	1			31	6020310049-6	Hexagonal Head Bolt 1/2" X 2" 12F W Gr5 Rp	2								
*2	5124010578-4	Row Of Left Iron Complete Compaction Wheel				1	1			1	1	32	5572012100-9	Square Beam Of 50 X 800mm Complete	1								
3	5124010337-4	Complete Row Of Rippled Coulter Disc Blade	1	1	1	1						33	6020130100-1	Grease Fitting 1/4"	1								
4	5124010822-8	Fertilizer/Seed Double Disc Right Row W/Frieze 40mm	1	1				1	1			34	6020310738-5	Hexagonal Nut 5/8" 11F Unc Gr5 Ch.1.1/16" Height 11,00mm	1								
4	5124010823-6	Fertilizer/Seed Double Disc Left Row W/Frieze 40mm				1	1			1	1	35	6020311082-3	Hexagonal Head Bolt 5/8" X 5.1/2" 11F Unc1A Gr5 Rp	1								
5	6020311079-3	Hexagonal Head Bolt 5/8" X 3.1/2" 11F Unc1A Gr5 Rp	2									36	5040121052-8	Bar 38 X 130 X 12,5mm			1			1		1	
6	6020010412-1	Pressure Washer 5/8" Media Industry	3									37	6020311065-3	Hexagonal Head Bolt 1/2" X 4" 12F W Gr5 Rp		4		4		4		4	
7	5024010068-9	Smooth Washer Ø13,3 X Ø35,5 X 3,00mm	2									38	5530011577-1	Right Support Of Fertilizer And Seed Large Double Disc (Descentrado)	1	1				1	1		
8	6020310754-7	Hexagonal Nut 1/2" 12F W Gr5 Ch.7/8" Height 12,00mm	10	8	10	8	10	8	10	8	8	38	5530011576-3	Left Support Of Large Fertilizer/Seed Large Double Disc			1	1			1	1	
9	6020010406-7	Pressure Washer 3/8" Media Industry	2									39	5204010159-4	Complete Right Hub For Limiter Ring (Coulter Disc Blade 15" X 4,00mm)	1	1				1	1		
10	6020310746-6	Hexagonal Nut 3/8" 16F Unc Gr5 Ch.9/16" Height 8,50mm	2									39	5204010160-8	Complete Left Hub For Limiter Ring (Plain Disc 15" X 4,00mm)			1	1			1	1	
11	5526010018-0	Separator Of Rows	2									40	5204010508-5	Complete Left Hub W/Limiter Frieze 40mm (Plan Disc 15" X 4,00mm)	1	1				1	1		
12	6020310760-1	Hexagonal Nut 5/8" 12F Unc Gr5 Ch.1.1/16" Height 15,00mm	3									40	5204010507-7	Complete Right Hub W/Limiter Frieze 40mm (Plan Disc 15" X 4,00mm)			1	1			1	1	
13	6020050101-5	Cotterpin 1/8" X 1"	1									41	5096040002-7	Hub Internal Cap	2								
14	6020010410-5	Pressure Washer 1/2" Media Industry	12	8	12	8	12	8	12	8	8	42	5352030056-9	Internal Left Scraper Of Disc	1								
15	5530014452-6	Right Support Of Scraper				1	1			1	1	43	5352030057-7	Internal Right Scraper Of Disc	1								
15	5530014453-4	Left Support Of Scraper		1	1			1	1			44	6020310054-2	Hexagonal Head Bolt 3/8" X 1" 16F Unc1A Gr2 Rt	1								
16	6010601280-9	Upper Lock Of Triple Spring	1									45	6020010406-7	Pressure Washer 3/8" Media Industry	1								
17	6010601347-3	Fixation Shank Of Coulter Disc	1									46	5024010075-1	Smooth Washer Ø10,3 X Ø25 X 2,00mm	2								
18	5068010081-8	Clamp Of 84 X 64 X R.1/2" W	3			3		3		3		47	5024010024-7	Smooth Washer Ø20 X Ø38 X 1,21mm	6								
19	6020310756-3	Hexagonal Nut 1/2" 12F W Gr5 Ch.3/4" Height 11,00mm	2			2		2		2		48	6020310746-6	Hexagonal Nut 3/8" 16F Unc Gr5 Ch.9/16" Height 8,50mm	1								
20	5566010045-7	Small Rod Of Spring	1			1		1		1		49	5204010150-0	Right Disc Hub		1	1			1	1		
20	5566010046-5	Rod Of Triple Spring (Small)			1				1		1	49	5204010149-7	Left Disc Hub				1	1			1	1
21	5080010539-8	Row Articulation Bushing	1									50	2857398003-6	Coulter Plain Disc Blade 15 X 4,00 Hc Rd 80mm + 6H Rd 8,7mm	1								
22	6020311061-0	Hexagonal Head Bolt 1/2" X 3.1/2" 12F W Gr5 Rp	4	2	4	2	4	2	4	2	4	51	6020010004-5	Pressure Washer M8 Media	6								
23	6020311160-9	French Head Bolt 3/8" X 1" 16F Unc1A Gr2 Rt	2									52	6020310454-8	Hexagonal Nut M8 X 1,25 Ma Cl8 Ch.13mm H.6,50mm	6								
24	5352010048-9	Limiter Of Limiter Rim	1									53	6020310235-9	Bolt M8 X 1,25 X 25mm Cl8.8 Rt	6								
25	5040140058-0	Bar Of 2" X 1/2" X 554mm	2									54	5024010161-8	Smooth Washer Ø7 X Ø18 X 2,00mm	6								
26	5432030173-7	Pin Ø5/8" X 46mm	1									55	6020010122-0	Pressure Washer M6 Media	6								
27	5024010075-1	Smooth Washer Ø10,3 X Ø25 X 2,00mm	2									56	6020311257-5	Hexagonal Nut M6 X 1,00 Ma Cl8 Ch.10mm H.5,00mm	6								

• Table Row W/ Iron Compactation Wheel and Frieze 40mm

Item	Code	Product description	All	Large Right W/Cutting Disc	Small Right W/Cutting Disc	Large Left W/Cutting Disc	Small Left W/Cutting Disc	Large Right Without Cutting Disc	Small Right Without Cutting Disc	Large Left Without Cutting Disc	Small Left Without Cutting Disc
57	6020317441-4	Bolt M6 X 1,00 X 20mm Cl8.8 Rt	6								
58	2857398003-6	Coulter Plain Disc Blade 15 X 4,00 Hc Rd 80mm +- 6H Rd 8,7mm	1								
59	5204010149-7	Left Disc Hub		1	1			1	1		
59	5204010150-0	Right Disc Hub				1	1			1	1
60	6020310454-8	Hexagonal Nut M8 X 1,25 Ma Cl8 Ch.13mm H.6,50mm	6								
61	6020010004-5	Pressure Washer M8 Media	6								
62	6020310235-9	Bolt M8 X 1,25 X 25mm Cl8.8 Rt	6								
63	6010600786-4	Depth Limiter Ring (40mm)	1								
64	6020350268-3	Retainer Ø36,00 X Ø52,00 X 11,00mm	2								
65	5232010076-3	Shaft Ø36 X 94mm With Left Thread	1								
65	5232010077-1	Shaft Ø36 X 94mm With Right Thread	1								
66	6020010513-6	Plain Washer Ø20 X Ø35 X 3mm	2								
67	6020310797-0	Nut 3/4" 16F Unf Gr5 Ch.1.1/16" Height 13,00mm	2								
68	6020350087-7	Bearing 30204	4								
69	6020050641-6	Hub Cap	2								
70	6020010289-7	Retaining Ring I-55	2								
71	6020050101-5	Cotterpin 1/8" X 1"	2								
72	5204010148-9	Hub Of Ø136 X 54mm	2								
73	6020010095-9	Gasket Ring 047X 052X 2mm	2								
73	5124010099-5	Rippled Coulter Disc Row		1	1	1	1				
74	6020311038-6	Hexagonal Head Bolt 3/8" X 4" 16F Unc1A Gr2 Rp	4	4	4	4	4				
75	6020010406-7	Pressure Washer 3/8" Media Industry	4	4	4	4	4				
77	5324050014-7	Complete Adjustment Support Guide	2	2	2	2	2				
78	6020310746-6	Hexagonal Nut 3/8" 16F Unc Gr5 Ch.9/16" Height 8,50mm	4	4	4	4	4				
79	5124010100-2	Row W/Rippled Coulter Disc Blade	1	1	1	1	1				
80	5530010406-0	Depth Regulator Support	1	1	1	1	1				
81	6020130108-7	Grease Fitting 1/8"	1	1	1	1	1				
82	6020310510-2	Heavy Elastic Pin Ø10 X 55mm	1	1	1	1	1				
83	5432010181-9	French Head Pin Ø11,20 X 90mm	1	1	1	1	1				
84	6020050101-5	Cotterpin 1/8" X 1"	1	1	1	1	1				
85	5080020787-5	Bushing Of Ø14 X Ø19 X 65mm	1	1	1	1	1				
86	6020311038-6	Hexagonal Head Bolt 3/8" X 4" 16F Unc1A Gr2 Rp	1	1	1	1	1				
87	6020010406-7	Pressure Washer 3/8" Media Industry	1	1	1	1	1				
88	6020310746-6	Hexagonal Nut 3/8" 16F Unc Gr5 Ch.9/16" Height 8,50mm		1	1	1	1				
89	5024010107-3	Smooth Washer Ø36 X Ø61 X 5,00mm		1	1	1	1				
90	6020310472-6	Heavy Elastic Pin Ø6 X 55mm		1	1	1	1				
91	5530010405-2	Support Of Disc W/Hub		1	1	1	1				
92	6020310822-5	Hexagonal Nut M10 X 1,50 Ma Cl8 Ch.17mm H.8,00mm		6	6	6	6				
93	6020310980-9	Hexagonal Head Bolt M10 X 1,50 X 40mm Cl8.8 Rt		6	6	6	6				
94	3255397388-0	Rippled Plain Disc Blade 14 X 4,00 Hc Rd 80mm +- 6H Rd 10,3mm		1	1	1	1				
95	6020010394-0	Pressure Washer M10 Media		6	6	6	6				
96	5284010001-4	Flange Of Disc Hub		1	1	1	1				
97	6020010402-4	Pressure Washer 1/4" Media Industry		4	4	4	4				
98	6020311000-9	Hexagonal Head Bolt 1/4" X 1/2" 20F Unc1A Gr5 Rt		4	4	4	4				
99	6020130108-7	Grease Fitting 1/8"		1	1	1	1				
100	6020050640-8	Hub Cap		1	1	1	1				
101	6020310797-0	Nut 3/4" 16F Unf Gr5 Ch.1.1/16" Height 13,00mm		1	1	1	1				
102	5530160187-4	Support W/Shaft Of Disc		1	1	1	1				
103	6020350077-0	Bearing 44610/49		2	2	2	2				
104	6020050101-5	Cotterpin 1/8" X 1"		1	1	1	1				
105	6020350244-6	Retainer Ø35,00 X Ø58,00 X 10,00mm		1	1	1	1				
106	5024010258-4	Smooth Washer Ø20 X Ø38,5 X 3,00mm		1	1	1	1				
107	5204010090-3	Disc Hub		1	1	1	1				
108	6020190098-3	Gasket Ø50,3 X Ø73,5 X 1/64"		1	1	1	1				
109	6020310349-5	Hexagonal Head Bolt M12 X 1,75 X 30mm Cl8.8 R Wth Point		2							
110	6020250437-2	Helical Spring Ø43,5 X Ø54,5 X 700mm External		1		1		1		1	
110	6020250267-1	Helical Spring Ø43,5 X Ø54,5 X 600mm External			1		1		1		1
111	6020390294-0	Lock Nma - Type "R" Ø3,5 X 67mm(Special)		1							
112	5566040144-9	Rod Of Spring De 935,5mm		1		1		1		1	
112	5566040141-4	Rod Spring			1		1		1		1
113	5080011663-2	Fixation Support Of Spring Rod		1							
114	6020250435-6	Helical Spring Ø17,5 X Ø25,5 X 700mm Internal		1		1		1		1	
114	6020250275-2	Helical Spring Ø17,5 X Ø25,5 X 600mm Internal			1		1		1		1
115	5530016364-4	Lower Support Of Triple Spring		1							
116	6020250436-4	Helical Spring Ø30,5 X Ø41,5 X 700mm		1		1		1		1	
116	6020250273-6	Helical Spring Ø30,5 X Ø41,5 X 600mm			1		1		1		1

• Row W/Rippled Cutting Disc and Smooth Compaction Wheel



* Item 2 - See page 96

• Table Row W/Rippled Cutting Disc and Smooth Compaction Wheel

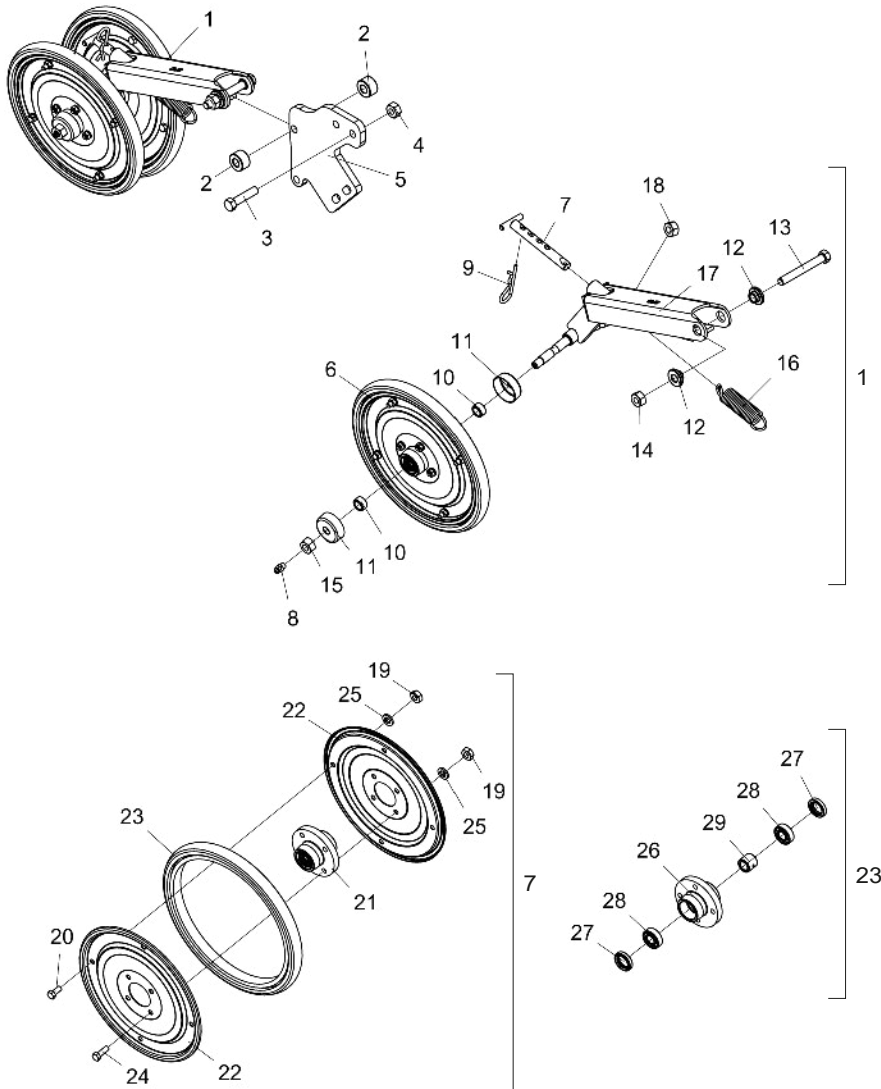
Item	Code	Product description	All	Large Right	Small Right	Large Left	Small Left	Item	Code	Product description	All	Large Right	Small Right	Large Left	Small Left
1	2517010625-6	Large Right Row Unit (SPD Special)		1				28	5040121052-8	Bar 38 X 130 X 12,5mm			1		1
1	2517010623-0	Small Right Row Unit (SPD Special)			1			29	6020311065-3	Hexagonal Head Bolt 1/2" X 4" 12F W Gr5 Rp			4		4
1	2517010624-8	Large Left Row Unit (SPD Special)				1		30	5204010159-4	Complete Right Hub For Limiter Ring(Coulter Disc Blade 15" X 4,00mm)	1				
1	2517010622-1	Small Left Row Unit (SPD Special)					1	31	5024010024-7	Smooth Washer Ø20 X Ø38 X 1,21mm	6				
*2	5124010380-3	Complete Row Of Plain Compaction Wheel (SPD)	1					32	5024010075-1	Smooth Washer Ø10,3 X Ø25 X 2,00mm	2				
3	5124010337-4	Complete Row Of Rippled Coulter Disc Blade	1					33	5096040002-7	Hub Internal Cap	2				
4	5124010372-2	Complete Row Of Double Disc Fertilizer/Seed (Excentric) Special		1	1			34	5352030056-9	Internal Left Scraper Of Disc	1				
4	5124010373-0	Left Row Of Fertilizer/Seed Double Disc (Excentric) Special				1	1	35	6020010406-7	Pressure Washer 3/8" Media Industry	1				
5	6020310754-7	Hexagonal Nut 1/2" 12F W Gr5 Ch.7/8" Height 12,00mm		8	6	18	6	36	5352030057-7	Internal Right Scraper Of Disc	1				
6	6020010410-5	Pressure Washer 1/2" Media Industry		10	6		6	37	6020310054-2	Hexagonal Head Bolt 3/8" X 1" 16F Unc1A Gr2 Rt	1				
7	6020311061-0	Hexagonal Head Bolt 1/2" X 3.1/2" 12F W Gr5 Rp		4	2	4	2	38	5204010160-8	Complete Left Hub For Limiter Ring (Plain Disc 15" X 4,00mm)	1				
8	5040140058-0	Bar Of 2" X 1/2" X 554mm	2					39	6020310746-6	Hexagonal Nut 3/8" 16F Unc Gr5 Ch.9/16" Height 8,50mm	1				
9	5526010018-0	Separator Of Rowas	2					40	5530011577-1	Right Support Of Fertilizer And Seed Large Double Disc (Descentrado)		1	1		
10	6020310756-3	Hexagonal Nut 1/2" 12F W Gr5 Ch.3/4" Height 11,00mm		2		2		40	5530011576-3	Left Support Of Large Fertilizer/Seed Large Double Disc				1	1
11	5068010081-8	Clamp Of 84 X 64 X R.1/2" W		3		3		41	5204010149-7	Left Disc Hub	1				
12	5432030173-7	Pin Ø5/8" X 46mm	1					41	5204010150-0	Right Disc Hub	1				
13	5024010059-0	Smooth Washer Ø16,5 X Ø29 X 1,21mm	1					42	2857398003-6	Coulter Plain Disc Blade 15 X 4,00 Hc Rd 80mm + 6H Rd 8,7mm R=57,5mm + 6H Rd 6,9mm	2				
14	5566010045-7	Small Rod Of Spring		1		1		43	6020010004-5	Pressure Washer M8 Media	12				
14	5566010046-5	Rod Of Triple Spring (Small)			1		1	44	6020310454-8	Hexagonal Nut M8 X 1,25 Ma Cl8 Ch.13mm H.6,50mm	12				
15	5252040056-7	Row Hitch	1					45	6020310235-9	Bolt M8 X 1,25 X 25mm Cl8.8 Rt	12				
16	6010601347-3	Fixation Shank Of Coulter Disc	1					46	6020350268-3	Retainer Ø36,00 X Ø52,00 X 11,00mm	2				
17	6020311079-3	Hexagonal Head Bolt 5/8" X 3.1/2" 11F Unc1A Gr5 Rp	2					47	5232010076-3	Shaft Ø36 X 94mm With Left Thread	1				
18	6020010412-1	Pressure Washer 5/8" Media Industry	3					47	5232010077-1	Shaft Ø36 X 94mm With Right Thread	1				
19	6010601280-9	Upper Lock Of Triple Spring	1					48	6020010513-6	Plain Washer Ø20 X Ø35 X 3mm	2				
20	6020130100-1	Grease Fitting 1/4"	1					49	6020310797-0	Nut 3/4" 16F Unf Gr5 Ch.1.1/16" Height 13,00mm	2				
21	6020311082-3	Hexagonal Head Bolt 5/8" X 5.1/2" 11F Unc1A Gr5 Rp	1					50	6020350087-7	Bearing 30204	4				
22	6020310760-1	Hexagonal Nut 5/8" 11F Unc Gr5 Ch.1.1/16" Height 15,00mm	3					51	6020050641-6	Hub Cap	2				
23	5080010539-8	Row Articulation Bushing	1					52	6020010289-7	Retaining Ring I-55	2				
24	5572012100-9	Square Beam Of50 X 800mm Complete	1					53	6020050101-5	Cotterpin 1/8" X 1"	2				
25	6020310738-5	Hexagonal Nut 5/8" 11F Unc Gr5 Ch.1.1/16" Height 11,00mm	1					54	5204010148-9	Hub Of Ø136 X 54mm	2				
26	6010601172-1	Lower Support Of Rod (Small)		1		1		55	6020010095-9	Gascket Ring 047X 052X 2mm	2				
26	6010601195-0	Lower Support Of Rod (Large)			1		1	56	6020311038-6	Hexagonal Head Bolt 3/8" X 4" 16F Unc1A Gr2 Rp	4				
27	6020050101-5	Cotterpin 1/8" X 1"	1					57	6020010406-7	Pressure Washer 3/8" Media Industry	4				

• Table Row W/Rippled Cutting Disc and Smooth Compaction Wheel

Item	Code	Product description	All	Large Right	Small Right	Large Left	Small Left
58	5124010099-5	Rippled Coulter Disc Row	1				
59	5324050014-7	Complete Adjustment Support Guide	2				
60	6020310746-6	Hexagonal Nut 3/8" 16F Unc Gr5 Ch.9/16" Height 8,50mm	4				
61	5124010100-2	Row W/Rippled Coulter Disc Blade	1				
62	5530010406-0	Depth Regulator Support	1				
63	6020130108-7	Grease Fitting 1/8"	1				
64	6020310510-2	Heavy Elastic Pin Ø10 X 55mm	1				
65	5432010181-9	French Head Pin Ø11,20 X 90mm	1				
66	6020050101-5	Cotterpin 1/8" X 1"	1				
67	5080020787-5	Bushing Of Ø14 X Ø19 X 65mm	1				
68	6020311038-6	Hexagonal Head Bolt 3/8" X 4" 16F Unc1A Gr2 Rp	1				
69	6020010406-7	Pressure Washer 3/8" Media Industry	1				
70	6020310746-6	Hexagonal Nut 3/8" 16F Unc Gr5 Ch.9/16" Height 8,50mm	1				
71	5024010107-3	Smooth Washer Ø36 X Ø61 X 5,00mm	1				
72	6020310472-6	Heavy Elastic Pin Ø6 X 55mm	1				
73	5530010405-2	Support Of Disc W/Hub	1				
74	6020310822-5	Hexagonal Nut M10 X 1,50 Ma Cl8 Ch.17mm H.8,00mm	6				
75	6020310980-9	Hexagonal Head Bolt M10 X 1,50 X 40mm Cl8.8 Rt	6				
76	3255397388-0	Rippled Plain Disc Blade 14 X 4,00 Hc Rd 80mm + 6H Rd 10,3mm D=115mm Doble Bevel	1				
77	6020010394-0	Pressure Washer M10 Media	6				
78	5284010001-4	Flange Of Disc Hub	1				
79	6020010402-4	Pressure Washer 1/4" Media Industry	4				
80	6020130108-7	Grease Fitting 1/8"	1				
81	6020050640-8	Hub Cap	1				
82	6020310797-0	Nut 3/4" 16F Unf Gr5 Ch.1.1/16" Height 13,00mm	1				
83	5530160187-4	Support W/Shaft Of Disc	1				
84	6020350077-0	Bearing 44610/49	2				
85	6020050101-5	Cotterpin 1/8" X 1"	1				
86	6020350244-6	Retainer Ø35,00 X Ø58,00 X 10,00mm	1				
87	5024010258-4	Smooth Washer Ø20 X Ø38,5 X 3,00mm	1				
88	5204010090-3	Disc Hub	1				
89	6020190098-3	Gascket Ø50,3 X Ø73,5 X 1/64"	1				
90	6020311000-9	Hexagonal Head Bolt 1/4" X 1/2" 20F Unc1A Gr5 Rt	4				

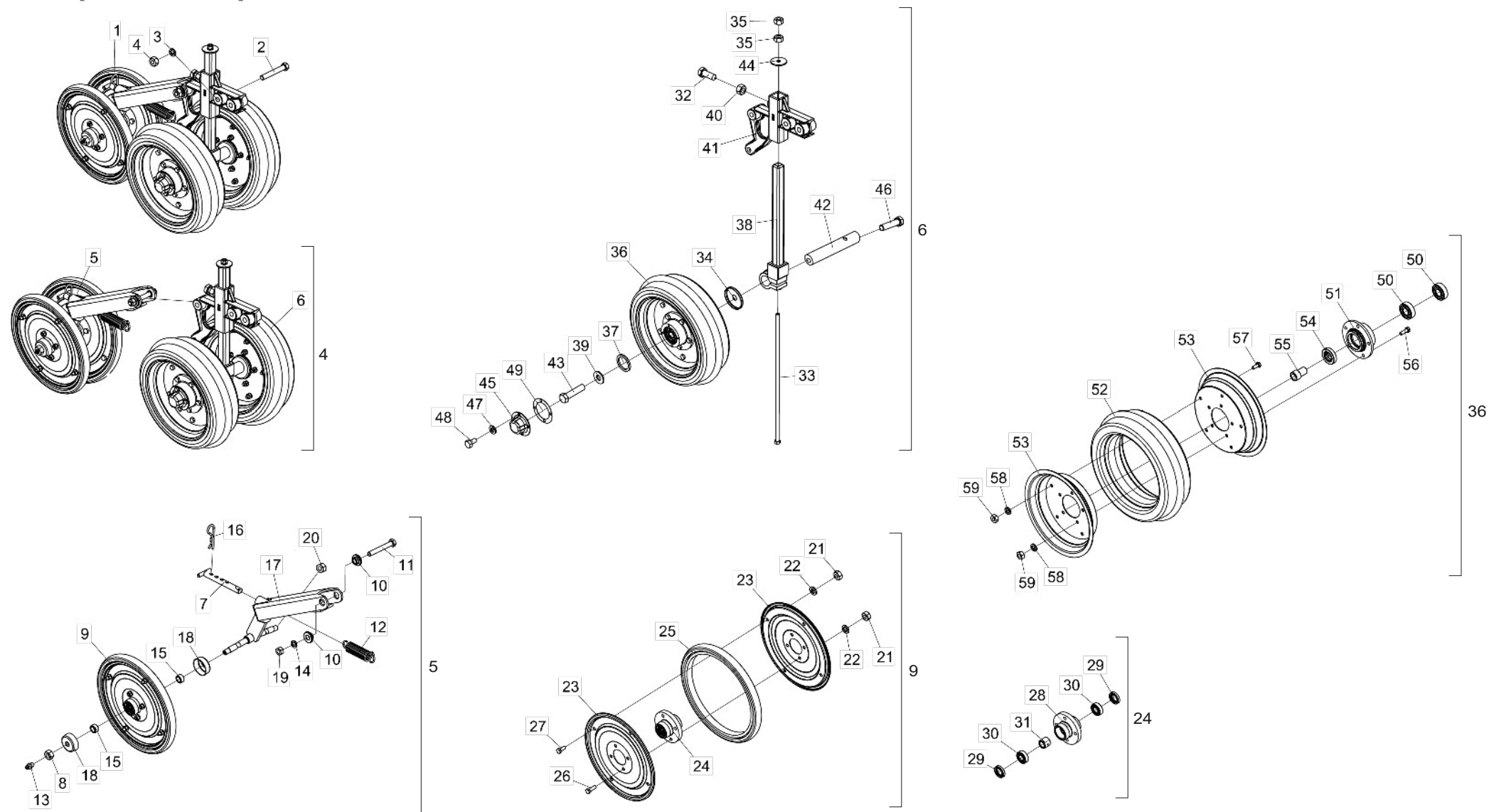
Item	Code	Product description	All	Large Right	Small Right	Large Left	Small Left
91	6020310349-5	Hexagonal Head Bolt M12 X 1,75 X 30mm Cl8.8 R Wth Point	2				
92	6020250437-2	Helical Spring Ø43,5 X Ø54,5 X 700mm External		1		1	
92	6020250267-1	Helical Spring Ø43,5 X Ø54,5 X 600mm External			1		1
93	6020390294-0	Lock Nma - Type "R" Ø3,5 X 67mm(Special)	1				
94	5566040144-9	Rod Of Spring De 935,5mm		1		1	
94	5566040141-4	Rod Spring			1		1
95	5080011663-2	Fixation Support Of Spring Rod	1				
96	6020250435-6	Helical Spring Ø17,5 X Ø25,5 X 700mm Internal		1		1	
96	6020250275-2	Helical Spring Ø17,5 X Ø25,5 X 600mm Internal			1		1
97	5530016364-4	Lower Support Of Triple Spring	1				
98	6020250436-4	Helical Spring Ø30,5 X Ø41,5 X 700mm		1		1	
98	6020250273-6	Helical Spring Ø30,5 X Ø41,5 X 600mm			1		1

• Complete "V" Compactation Wheel



Item	Code	Product description	All
1	5124010413-3	Row Of Compactation Wheel Type "V" (SPD)	1
2	5080020772-7	Bushing Of Ø14,3 X Ø1.1/4" X 18,5mm	2
3	6020312060-8	Hexagonal Head Bolt 1/2" X 2.1/4" 12F W Gr5 Rp	2
4	6020310809-8	Self-Locking Nut With Nylon 1/2" 12F W Gr5 Ch.3/4" H.15,50mm	2
5	5530010827-9	Fixation Support Of Wheel	1
6	5498090024-2	Spare Compactation Wheel	2
7	5432060014-9	Handle 5/8" X 131mm	1
8	6020130100-1	Grease Fitting 1/4"	2
9	6020390308-4	Lock Nma - Type "R" Ø4,5 X 80mm	1
10	5080020710-7	Bushing Of Ø15 X Ø22,22 X 12mm	4
11	5096010033-3	Hub Cap	4
12	5080020484-1	Bushing Of Ø13,1 X Ø31,5 X 12,5mm	2
13	6020311065-3	Hexagonal Head Bolt 1/2" X 4" 12F W Gr5 Rp	1
14	6020310809-8	Self-Locking Nut With Nylon 1/2" 12F W Gr5 Ch.3/4" H.15,50mm	1
15	6020310736-9	Hexagonal Nut 9/16" 18F Unf Gr5 Ch.7/8" Height 12,50mm	1
16	6020250658-8	Helical Spring Ø21,5 X Ø28,5 X 95mm	1
17	5530011808-8	Support "V" Wheel (SPD)	1
18	6020310737-7	Hexagonal Nut 9/16" 18F Rf/Esq Unf Gr5 Ch.7/8" Height 12,50mm	1
19	6020310454-8	Hexagonal Nut M8 X 1,25 Ma Cl8 Ch.13mm H.6,50mm	16
20	6020311269-9	Hexagonal Head Bolt M8 X 1,25 X 20mm Cl8.8 Rt	8
21	5204110018-4	Complete Hub Of Wheel	2
22	5288020025-9	Wheel Ring	4
23	6020010808-9	Rim 300 X 25mm	2
24	6020310448-3	Hexagonal Head Bolt M8 X 1,25 X 25mm Cl8.8 Rt	8
25	6020010004-5	Pressure Washer M8 Media	16
26	5204110017-6	Wheel Hub	2
27	6020350211-0	Retainer Ø22,00 X Ø35,00 X 6,70mm	4
28	6020350871-1	Sphere Rigid Bearing 6202 (Skf-Nsk-Timken)	4
29	5080020655-0	Bushing Of Ø16 X Ø25 X 22mm	2

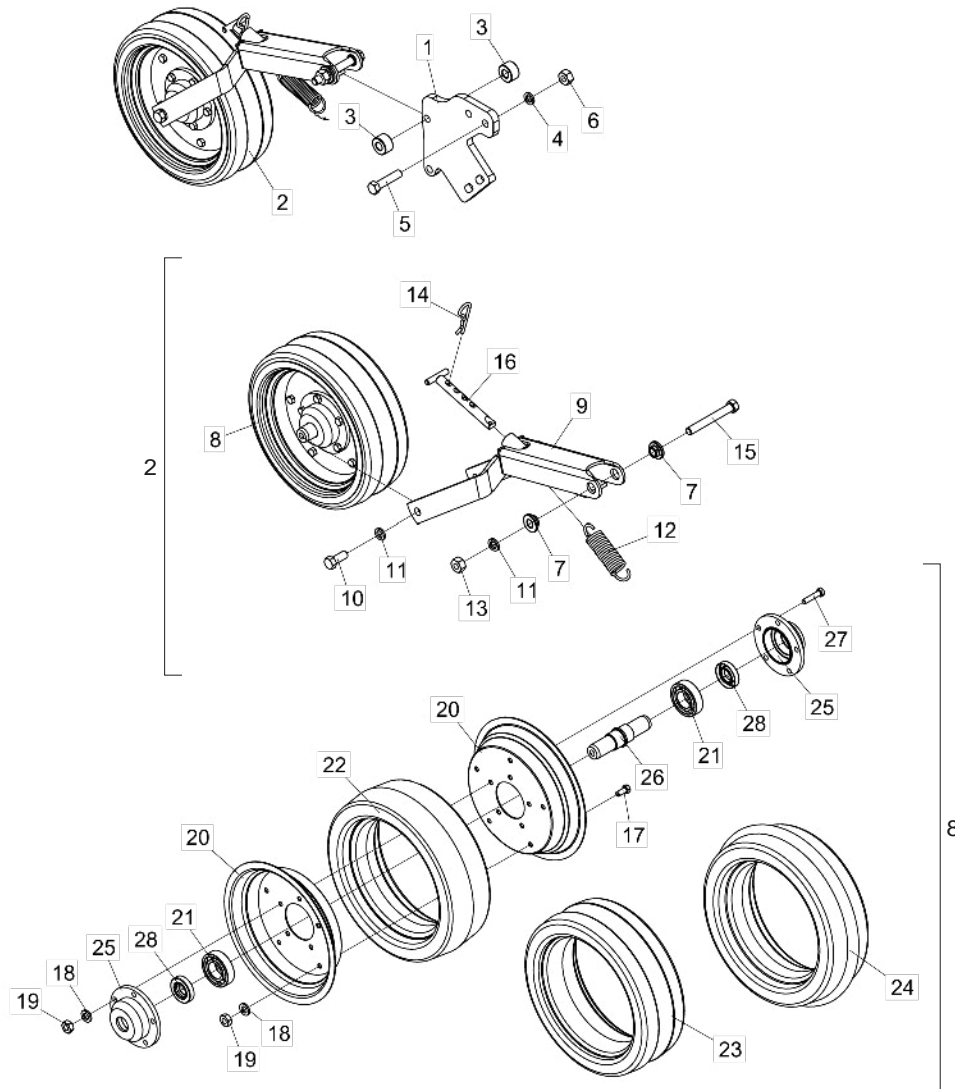
• Complete "V" Compactation Wheel (Exccentric)



• Table Complete "V" Compactation Wheel (Exccentric)

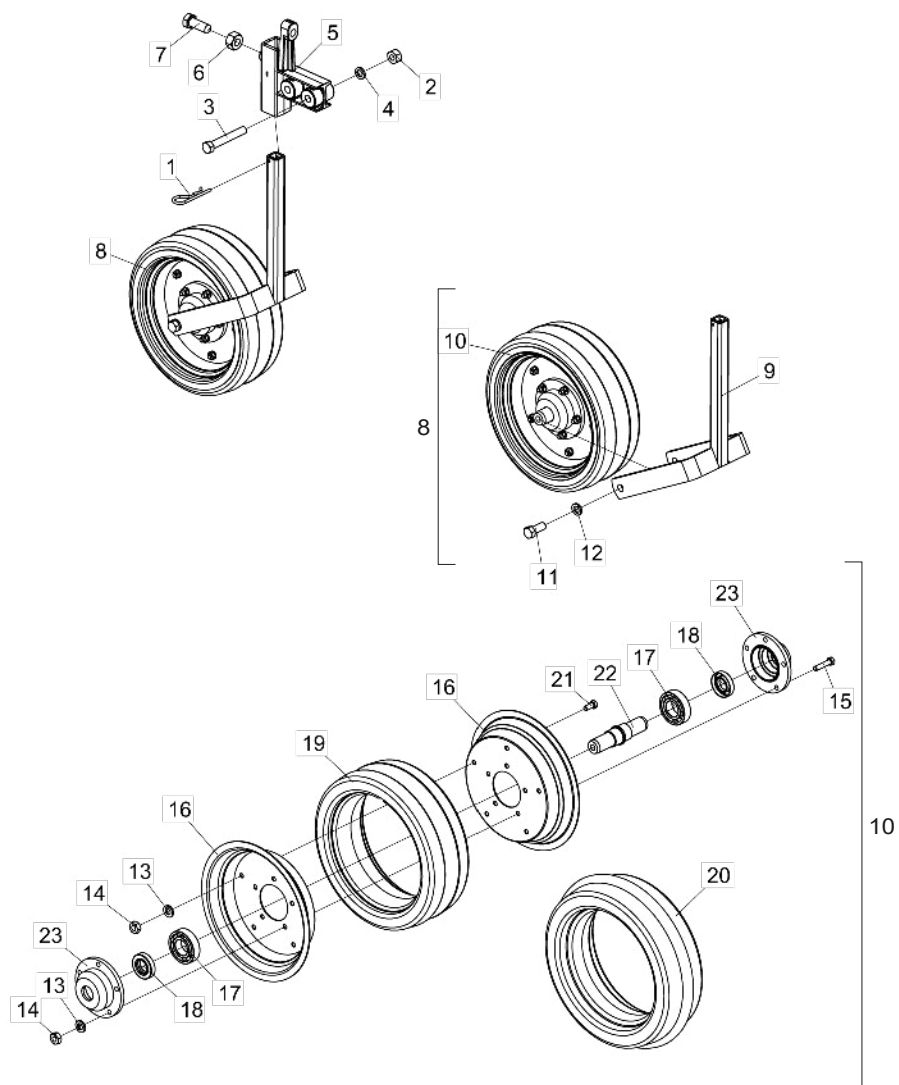
Item	Code	Product description	All	Item	Code	Product description	All
1	5124010050-2	Row Of Depth Wheel And Wheel Type "V" (Exccentric)	1	37	5024010330-0	Smooth Washer Ø38,8 X Ø50,2 X 4,00mm	2
2	6020317495-3	Hexagonal Head Bolt M12 X 1,75 X 90mm Cl8.8 Rp	2	38	5484040022-3	Depth Regulator	1
3	6020010395-8	Pressure Washer M12 Media	2	39	5024010239-8	Smooth Washer Ø16,5 X Ø37 X 3,00mm	2
4	6020310820-9	Hexagonal Nut M12 X 1,75 Ma Cl8 Ch.19mm H.10,00mm	2	40	6020310765-2	Hexagonal Nut 5/8" 11F Unc Gr5 Ch.15/16" Height 14,00mm	1
5	5124080057-1	Row Of Compactation Wheel Type "V"	1	41	5530180108-3	Support Of Regulator	1
6	5124080050-4	Row Of Depth Wheel With Regulating Support	1	42	5232020121-7	Shaft Ø1.1/4" X 190mm	1
7	5432060014-9	Handle 5/8" X 131mm	1	43	6020310292-8	Hexagonal Head Bolt 5/8" X 2.3/4" 11F Unc1A Gr5 Rp Rosca Direita	1
8	6020310736-9	Hexagonal Nut 9/16" 18F Unf Gr5 Ch.7/8" Height 12,50mm	1	44	5024010206-1	Smooth Washer Ø10,6 X Ø44 X 3,00mm	1
9	5498090024-2	Spare Compaction Wheel	2	45	6020050640-8	Hub Cap	2
10	5080020484-1	Bushing Of Ø13,1 X Ø31,5 X 12,5mm	2	46	6020310293-6	Hexagonal Head Bolt 5/8" X 2.3/4" 11F Unc1A Gr5 Rp Rosca Esquerda	1
11	6020317495-3	Hexagonal Head Bolt M12 X 1,75 X 90mm Cl8.8 Rp	1	47	6020010402-4	Pressure Washer 1/4" Media Industry	8
12	6020250658-8	Helical Spring Ø21,5 X Ø28,5 X 95mm	1	48	6020311000-9	Hexagonal Head Bolt 1/4" X 1/2" 20F Unc1A Gr5 Rt	8
13	6020130100-1	Grease Fitting 1/4"	2	49	6020190098-3	Gascket Ø50,3 X Ø73,5 X 1/64"	2
14	6020010395-8	Pressure Washer M12 Media	1	50	6020350867-3	Sphere Rigid Bearing 6204 (Skf-Nsk-Timken)	4
15	5080020710-7	Bushing Of Ø15 X Ø22,22 X 12mm	4	51	5204010174-8	Compactation Wheel Hub	2
16	6020390308-4	Lock Nma - Type "R" Ø4,5 X 80mm	1	52	6020010812-7	Convex Compactation Rim 811/9 103-8	2
17	5530160231-5	Small Oscilating Support	1	53	5018010016-1	Rubber Wheel Rim	4
18	5096010033-3	Hub Cap	4	54	6020350204-7	Retainer Ø25,00 X Ø47,00 X 10,00mm	2
19	6020310820-9	Hexagonal Nut M12 X 1,75 Ma Cl8 Ch.19mm H.10,00mm	1	55	5080010146-5	Bushing Of Ø16 X Ø26 X 44mm	2
20	6020310737-7	Hexagonal Nut 9/16" 18F Rf/Esq Unf Gr5 Ch.7/8" Height 12,50mm	1	56	6020310448-3	Hexagonal Head Bolt M8 X 1,25 X 25mm Cl8.8 Rt	10
21	6020310454-8	Hexagonal Nut M8 X 1,25 Ma Cl8 Ch.13mm H.6,50mm	16	57	6020311269-9	Hexagonal Head Bolt M8 X 1,25 X 20mm Cl8.8 Rt	10
22	6020010004-5	Pressure Washer M8 Media	16	58	6020010004-5	Pressure Washer M8 Media	20
23	5288020025-9	Wheel Ring	4	59	6020310454-8	Hexagonal Nut M8 X 1,25 Ma Cl8 Ch.13mm H.6,50mm	20
24	5204110018-4	Complete Hub Of Wheel	2				
25	6020010808-9	Rim 300 X 25mm	2				
26	6020310448-3	Hexagonal Head Bolt M8 X 1,25 X 25mm Cl8.8 Rt	8				
27	6020311269-9	Hexagonal Head Bolt M8 X 1,25 X 20mm Cl8.8 Rt	8				
28	5204110017-6	Wheel Hub	1				
29	6020350211-0	Retainer Ø22,00 X Ø35,00 X 6,70mm	2				
30	6020350871-1	Sphere Rigid Bearing 6202 (Skf-Nsk-Timken)	2				
31	5080020655-0	Bushing Of Ø16 X Ø25 X 22mm	1				
32	6020311069-6	Hexagonal Head Bolt 5/8" X 1.3/4" 11F Unc1A Gr5 Rt Wth Point	1				
33	6020311039-4	Hexagonal Head Bolt 3/8" X 15.1/2" 16F Unc1A Gr2 Rp	1				
34	5096010031-7	Cap Ø16 X Ø63,6 X 7,6mm	2				
35	6020310746-6	Hexagonal Nut 3/8" 16F Unc Gr5 Ch.9/16" Height 8,50mm	2				
36	5498100047-4	Small Compaction Wheel	2				

• Smooth/Concave/Convex Compactation Wheel



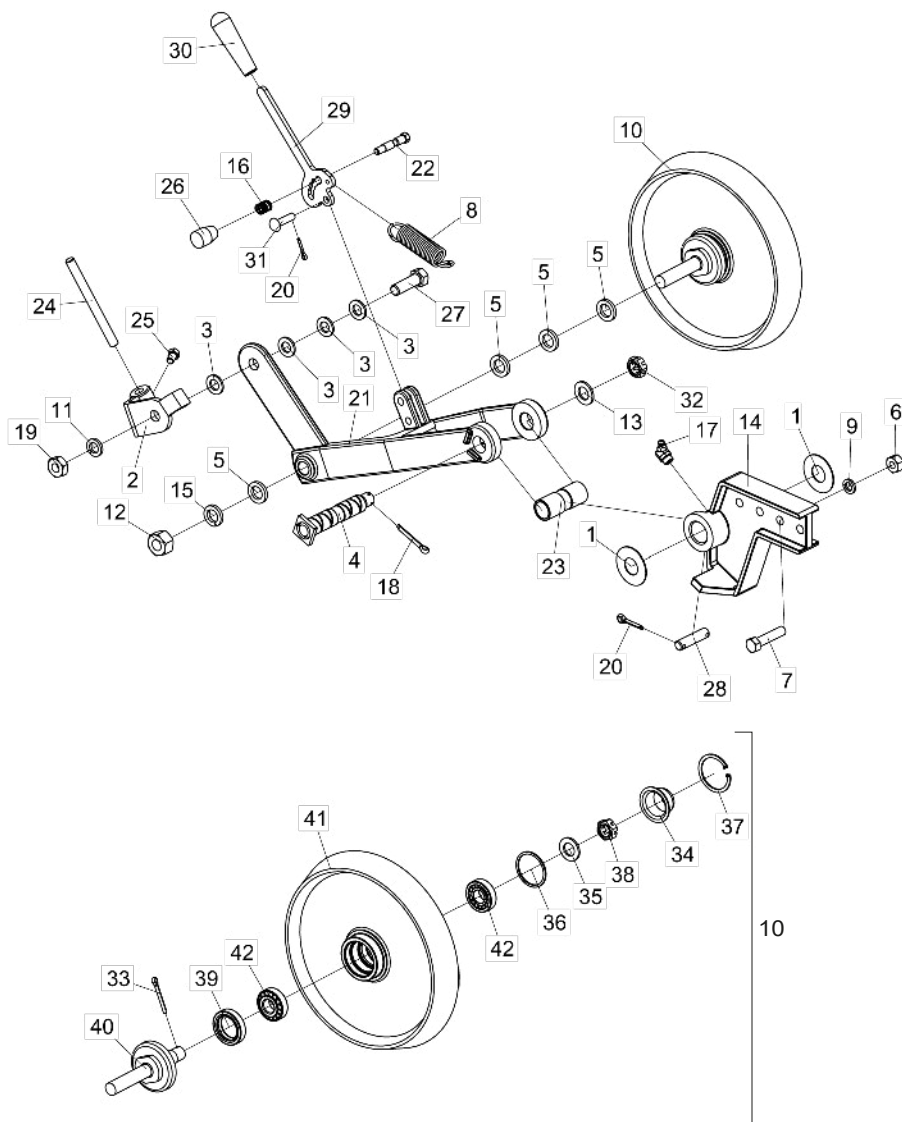
Item	Code	Product description	All	Smooth	Concave	Convex
1	5530010827-9	Fixation Support Of Wheel	1			
2	5124010110-0	Row Of Plain Compactation Wheel	1			
2	5124080044-0	Row Of Concave Compactation Wheel			1	
2	5124080045-8	Row Of Concave Compactation Wheel				1
3	5080020772-7	Bushing Of Ø14,3 X Ø1.1/4" X 18,5mm	2			
4	6020010410-5	Pressure Washer 1/2" Media Industry	2			
5	6020312060-8	Hexagonal Head Bolt 1/2" X 2.1/4" 12F W Gr5 Rp	2			
6	6020310754-7	Hexagonal Nut 1/2" 12F W Gr5 Ch.7/8" Height 12,00mm	2			
7	5080020484-1	Bushing Of Ø13,1 X Ø31,5 X 12,5mm	2			
8	5498030089-0	Complete Plain Compaction Wheel	1			
8	5498100018-0	Complete Compaction Wheel Concav			1	
8	5498100098-9	Complete Compaction Wheel Convex				1
9	5530180056-7	Small Oscilating Support	1			
10	6020310051-8	Hexagonal Head Bolt 1/2" X 1.1/4" 12F W Gr5 Rt	2			
11	6020010410-5	Pressure Washer 1/2" Media Industry	3			
12	6020250317-1	Helical Spring Ø23 X Ø31 X 88mm	1			
13	6020310754-7	Hexagonal Nut 1/2" 12F W Gr5 Ch.7/8" Height 12,00mm	1			
14	6020390308-4	Lock Nma - Type "R" Ø4,5 X 80mm	1			
15	6020311065-3	Hexagonal Head Bolt 1/2" X 4" 12F W Gr5 Rp	1			
16	5432060014-9	Handle 5/8" X 131mm	1			
17	6020312020-9	Hexagonal Head Bolt 5/16" X 3/4" 18F Unc1A Gr5 Rt	5			
18	6020010404-0	Pressure Washer 5/16" Media Industry	10			
19	6020310744-0	Hexagonal Nut 5/16" 18F Unc Gr5 Ch.1/2" Height 6,50mm	10			
20	5018010016-1	Rubber Wheel Rim	2			
21	6020350007-9	Bearing 6206(Skf-Nsk-Timken)	2			
22	6020010803-8	Compactation Rim		1		
23	6020010813-5	Convex Compactation Rim 99-8			1	
24	6020010812-7	Convex Compactation Rim 811/9 103-8				1
25	5204020047-9	Wheel Hub	2			
26	5080030028-0	Large Bushing Of Compactor Wheel	1			
27	6020311017-3	Hexagonal Head Bolt 5/16" X 1.1/2" 18F Unc Gr2 Rt	5			
28	6020350204-7	Retainer Ø25,00 X Ø47,00 X 10,00mm	2			

• Depth Wheel W/Regulator Support



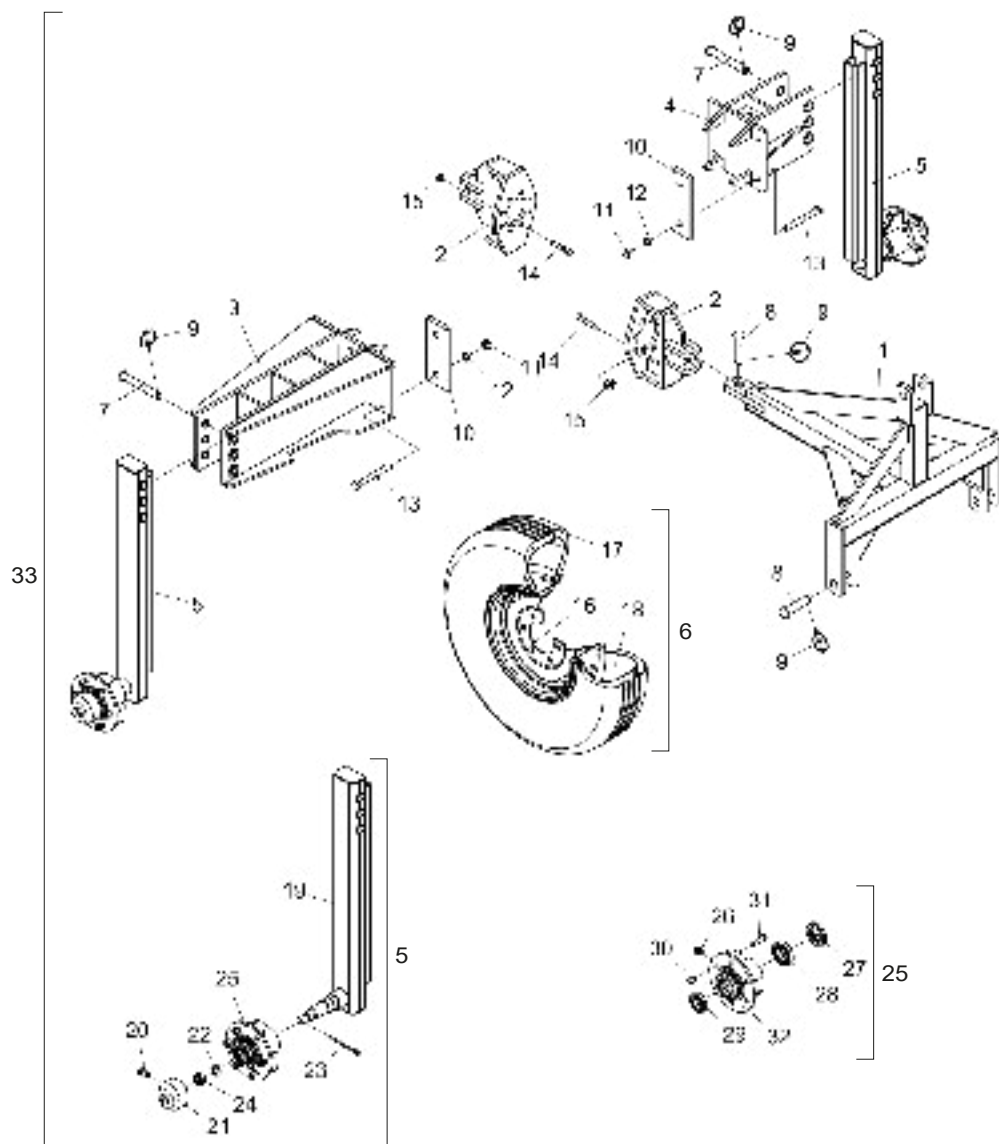
Item	Code	Product description	All	Concave	Convex
1	6020390308-4	Lock Nma - Type "R" Ø4,5 X 80mm	1		
2	6020310754-7	Hexagonal Nut 1/2" 12F W Gr5 Ch.7/8" Height 12,00mm	2		
3	6020311065-3	Hexagonal Head Bolt 1/2" X 4" 12F W Gr5 Rp	2		
4	6020010410-5	Pressure Washer 1/2" Media Industry	2		
5	5530180106-7	Support Of Regulator	1		
6	6020310765-2	Hexagonal Nut 5/8" 11F Unc Gr5 Ch.15/16" Height 14,00mm	1		
7	6020311069-6	Hexagonal Head Bolt 5/8" X 1.3/4" 11F Unc1A Gr5 Rt Wth Point	1		
8	5498010041-6	Concav Wheel De Apoio		1	
8	5498010042-4	Convex Wheel De Apoio			1
9	5530180107-5	Wheel Support (SPD)	1		
10	5498100018-0	Complete Compaction Wheel Concav		1	
10	5498100098-9	Complete Compaction Wheel Convex			1
11	6020310051-8	Hexagonal Head Bolt 1/2" X 1.1/4" 12F W Gr5 Rt	2		
12	6020010410-5	Pressure Washer 1/2" Media Industry	2		
13	6020010404-0	Pressure Washer 5/16" Media Industry	10		
14	6020310744-0	Hexagonal Nut 5/16" 18F Unc Gr5 Ch.1/2" Height 6,50mm	10		
15	6020311017-3	Hexagonal Head Bolt 5/16" X 1.1/2" 18F Unc Gr2 Rt	5		
16	5018010016-1	Rubber Wheel Rim	2		
17	6020350007-9	Bearing 6206(Skf-Nsk-Timken)	2		
18	6020350204-7	Retainer Ø25,00 X Ø47,00 X 10,00mm	2		
19	6020010813-5	Convex Compaction Rim 99-8		1	
20	6020010812-7	Convex Compaction Rim 811/9 103-8			1
21	6020312020-9	Hexagonal Head Bolt 5/16" X 3/4" 18F Unc1A Gr5 Rt	5		
22	5080030028-0	Large Bushing Of Compactor Wheel	1		
23	5204020047-9	Wheel Hub	2		

• Iron Compaction Wheel



Item	Code	Product description	All	Right	Left
1	5024010560-5	Smooth Washer Ø26 X Ø58 X 1,52mm	2		
2	5530014462-3	Left Cleaner Axis Support		1	
2	5530014461-5	Right Cleaner Axis Support			1
3	5024010154-5	Smooth Washer Ø16 X Ø29 X 3,00mm	4		
4	5432010372-2	Articulation Pin	1		
5	5024010302-5	Smooth Washer Ø20 X Ø32 X 4,75mm	4		
6	6020310754-7	Hexagonal Nut 1/2" 12F W Gr5 Ch.7/8" Height 12,00mm	2		
7	6020312060-8	Hexagonal Head Bolt 1/2" X 2.1/4" 12F W Gr5 Rp	2		
8	6020250658-8	Helical Spring Ø21,5 X Ø28,5 X 95mm	1		
9	6020010410-5	Pressure Washer 1/2" Media Industry	2		
10	5498010049-1	Complete Iron Compaction Wheel	1		
11	6020010412-1	Pressure Washer 5/8" Media Industry	1		
12	6020310817-9	Hexagonal Nut 3/4" 16F Unf Gr5 Ch.1.1/4" Height 18,50mm	1		
13	6020010513-6	Plain Washer Ø20 X Ø35 X 3mm	1		
14	5530014456-9	Fixation Support Of Wheel	1		
15	6020010414-8	Pressure Washer 3/4" Media Industry	1		
16	6020250577-8	Helical Spring Ø12,5 X Ø16,5 X 19mm	1		
17	6020130110-9	Grease Fitting 1/8"	1		
18	6020050101-5	Cotterpin 1/8" X 1"	1		
19	6020310738-5	Hexagonal Nut 5/8" 11F Unc Gr5 Ch.1.1/16" Height 11,00mm	1		
20	6020050099-0	Cotterpin 1/8" X 3/4"	3		
21	5530014454-2	Right Support Of Iron Wheel		1	
21	5530014455-0	Left Support Of Iron Wheel			1
22	5420010078-9	Hexagonal Head Bolt Ø1/2" X 63mm 16F Unc 1A R.3/8"	1		
23	5080011444-3	Large Bushing Of Iron Compactor Wheel	1		
24	5352010053-5	Scraper Of 150mm	1		
25	6020311030-0	Hexagonal Head Bolt 3/8" X 5/8" 16F Unc1A Gr2 Rt	1		
26	6020430203-3	Handle Pma 330 Thread 3/8" X 16 Fios	1		
27	6020310180-8	Hexagonal Head Bolt 5/8" X 2" 11F Unc1A Gr5 Rp	1		
28	5432010373-0	Pin Ø3/8" X 40mm	1		
29	5008010230-2	Pressure Adjustment Handle	1		
30	6020050724-2	Rubber Cable	1		
31	6020311241-9	French Head Pin Ø9,8 X 33mm	1		
32	6020310797-0	Nut 3/4" 16F Unf Gr5 Ch.1.1/16" Height 13,00mm	1		
33	6020050101-5	Cotterpin 1/8" X 1"	1		
34	6020050641-6	Hub Cap	1		
35	6020010513-6	Plain Washer Ø20 X Ø35 X 3mm	1		
36	6020010095-9	Gasket Ring 047X 052X 2mm	1		
37	6020010289-7	Retaining Ring I-55	1		
38	6020310797-0	Nut 3/4" 16F Unf Gr5 Ch.1.1/16" Height 13,00mm	1		
39	6020350268-3	Retainer Ø36,00 X Ø52,00 X 11,00mm	1		
40	5232010977-9	Complete Shaft Of Steel Compaction Wheel	1		
41	5288010049-1	Ring Of Compactor Wheel	1		
42	6020350087-7	Bearing 30204	2		

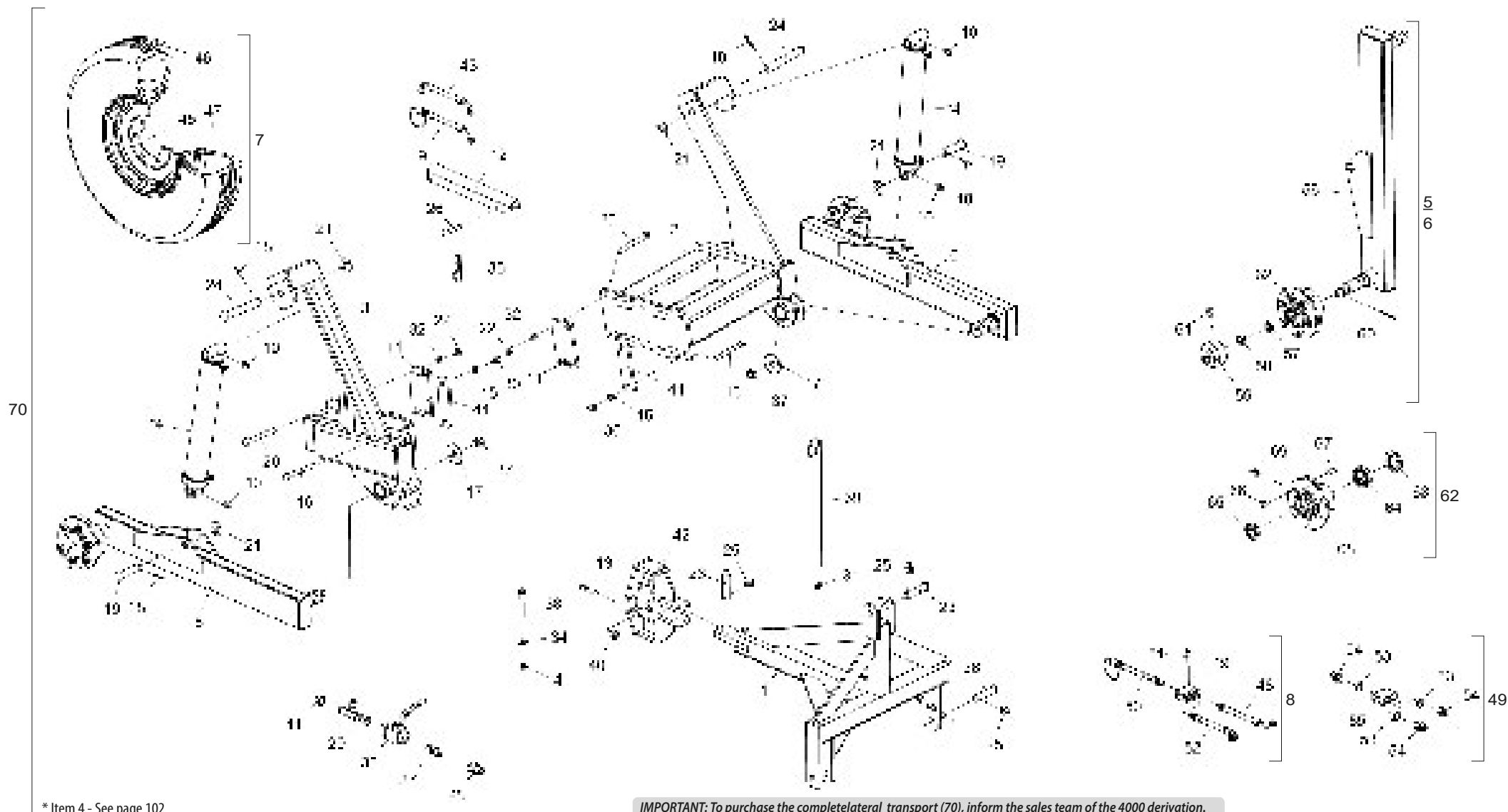
• Mechanical lateral Transport (Optional) for 3000/4000/5000



Item	Code	Product description	All
1	5084010143-3	Hitch Drawbar For Lateral Transport	1
2	5252040039-7	Hitch For Transport	2
3	5530140062-3	Support Of Rear Lateral Transport	1
4	5530140055-0	Support Of Front Lateral Transport	1
5	5326010315-2	Complete Shank	2
6	5498100007-5	Complete Wheel 900 X 17	2
7	6020310867-5	Pin Ø1" X 177mm	4
8	6020310661-3	Pin Ø1.1/8" X 113mm	4
9	6020390301-7	Lock Ø5,75 X 50mm	8
10	5136012156-2	Fixation Plate	5
11	6020310770-9	Hexagonal Nut 3/4" 10F Unc Gr5 Ch.1.7/32" Height 18,50mm	10
12	6020010414-8	Pressure Washer 3/4" Media Industry	10
13	6020311124-2	Hexagonal Head Bolt 3/4" X 6.1/2" 10F Unc1A Gr5 Rp	10
14	6020310997-3	Hexagonal Head Bolt 9/16" X 3.1/4" 18F Unf1A Gr5 Rp	16
15	6020310736-9	Hexagonal Nut 9/16" 18F Unf Gr5 Ch.7/8" Height 12,50mm	16
16	6020350402-3	Rim 5,5" X 16" 16.392	2
17	6020310408-4	Tyre 900 X 16 X 10 Ply	2
18	6020050362-0	Inner Tube Pa 15/16	2
19	5326030057-8	Lateral Support Shank	2
20	6020311020-3	Hexagonal Head Bolt 5/16" X 1/2" 18F Unc1A Gr2 Rt	2
21	5096020004-4	Wheel Hub Cap	2
22	5024010039-5	Smooth Washer Ø26,2 X Ø44 X 4,75mm	2
23	6020050102-3	Cotterpin 1/8" X 2.1/2"	2
24	6020310800-4	Nut 1" 14F Uns Gr5 Ch.1.1/2" Height 22,00mm	2
25	5204060025-6	Complete Wheel Hub	2
26	6020130108-7	Grease Fitting 1/8"	2
27	6020350224-1	Retainer Ø55,00 X Ø90,00 X 12,50mm	2
28	6020350056-7	Bearing 32210	2
29	6020350080-0	Bearing 30207	2
30	6020310816-0	Double Conic Hexagonal Nut Of Wheel 9/16" 18F Unf Gr5 Ch.7/8" Height 19,00mm	12
31	6020310998-1	Hexagonal Head Bolt 9/16" X 2" 18F Unf1A Gr5 Rp	12
32	5204010063-6	Wheel Hub (Spare)	2
33	KCJTRANLATSPD	Mechanic Lateral Transport Kit	1

IMPORTANT: To purchase the complete lateral transport (70), inform the sales team of the 2000 derivation.

• Semi-Hydraulic Lateral Transport (Optional) for 4000/5000



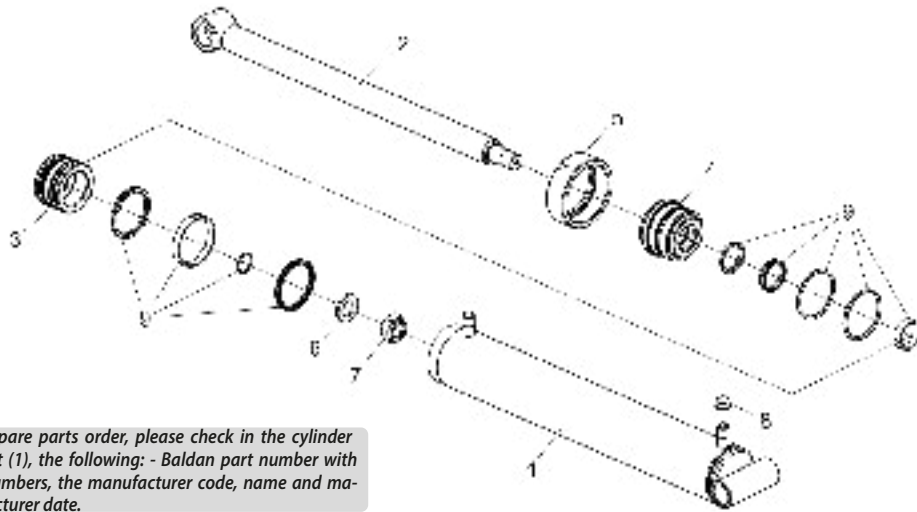
* Item 4 - See page 102

IMPORTANT: To purchase the completelateral transport (70), inform the sales team of the 4000 derivation.

• Table Semi-Hydraulic Lateral Transport (Optional) for 4000/5000

Item	Code	Product description	All	Item	Code	Product description	All
1	5084010143-3	Hitch Drawbar For Lateral Transport	1	37	6020310814-4	Self-Locking Nut With Nylon 1" 14F Uns Gr5 Ch.1.1/2" H.20,00mm	2
2	5530010732-9	Articulation Rear Support	1	38	6020311026-2	Hexagonal Head Bolt 5/16" X 2.1/4" 18F Unc1A Gr2 Rp	2
3	5530010731-0	Articulation Front Support	1	39	5530060020-3	Hoses Support	1
*4	6020055717-7	Hydraulic Cylinder "O.D" Ø1.5/8" X Ø3.1/4" X 490mm(Course) X 692mm(Closed)	2	40	6020310736-9	Hexagonal Nut 9/16" 18F Unf Gr5 Ch.7/8" Height 12,50mm	8
5	5530011612-3	Right Support Of Wheel	1	41	5080020063-3	Bushing Of Ø14 X Ø3/4" X 9mm	4
6	5530011611-5	Left Support Of Wheel	1	42	5252040039-7	Hitch For Transport	1
7	5498100007-5	Complete Wheel 900 X 17	2	43	6020250797-5	High Pressure Hydraulic Hose 3/8" X 3100mm With 2Tcg (Sae 100R2 At - P.T.4800Psi)	1
8	5528010581-2	Hydraulic System For SPD - 4000/5000 Transport Lateral W/Hydraulic Rim	1	44	5136011022-6	Fixation Plate Of Gang	4
9	5372011144-2	Hose Ø3/8" X 7200mm W/ 1TCG and 1Trf With Male Quickly Coupling	1	45	6020350402-3	Rim 5,5" X 16" 16.392	2
10	6020130108-7	Grease Fitting 1/8"	6	46	6020310408-4	Tyre 900 X 16 X 10 Ply	2
11	5136010334-3	Plate Of 210 X 113,5 X 5/8"	2	47	6020050362-0	Inner Tube Pa 15/16	2
12	5558010097-9	Lock Piston For Lateral Transport SPD	2	48	6020251013-5	High Pressure Hydraulic Hose 3/8" X 900mm With 1Tcg And 1Trg (Sae 100R2 At - P.T.4800Psi)	1
13	6020310997-3	Hexagonal Head Bolt 9/16" X 3.1/4" 18F Unf1A Gr5 Rp	8	49	5224010106-8	Oil Distributor	1
14	6020010404-0	Pressure Washer 5/16" Media Industry	2	50	5372011143-4	Hose Ø3/8" X 7200mm W/ 1TRG and 1TrfW/Male Quick Coupling	1
15	6020010412-1	Pressure Washer 5/8" Media Industry	8	51	6020310986-8	Hexagonal Head Bolt 5/16" X 1.3/4" 18F Unc1A Gr5 Rp	2
16	6020310209-0	Hexagonal Head Bolt 5/8" X 6.1/2" 18F Unf1A Gr5 Rp	8	52	6020250918-8	High Pressure Hydraulic Hose 3/8" X 3200mm With 1Tcg 90° And 1Trg (Sae 100R2 At -	1
17	5024010121-9	Smooth Washer Ø28 X Ø87 X 8,00mm(Galvanised)	2	53	6020010022-3	O' Ring 2-114 N3006-90Nbr (15,54)	3
18	6020050116-3	Cotterpin 1/4" X 2"	4	54	5412010035-4	Nipple R.3/4" Unf X R.3/4" Unf X 38mm With Hexagonal 7/8"	3
19	6020310639-7	Pin Ø30,53 X 106mm	2	55	6020430204-1	Flow Divider Valve Hfb030731 - Hydraulic Designer	1
20	6020310258-8	Hexagonal Head Bolt 3/4" X 6.1/2" 16F Unf1A Gr5 Rp	8	56	5530011609-3	Right Support Of Wheel	1
21	6020010453-9	Smooth Washer M33 Ø34,00 X Ø60,00 X 5,00mm (Din 125A)	4	56	5530011610-7	Left Support Of Wheel	1
22	6020310771-7	Double Hexagonal Nut 3/4" 16F Unf Gr5 Ch.1.1/16" H.23,00mm	8	57	5024010039-5	Smooth Washer Ø26,2 X Ø44 X 4,75mm	2
23	6020310661-3	Pin Ø1.1/8" X 113mm	2	58	6020310800-4	Nut 1" 14F Uns Gr5 Ch.1.1/2" Height 22,00mm	2
24	5432010075-8	French Head Pin Ø30,53 X 205mm	2	59	5096020004-4	Wheel Hub Cap	2
25	6020390301-7	Lock Ø5,75 X 50mm	4	60	6020050105-8	Cotterpin 1/8" X 1.1/4"	2
26	6020310421-1	French Head Pin Ø9,8 X 61mm	4	61	6020311020-3	Hexagonal Head Bolt 5/16" X 1/2" 18F Unc1A Gr2 Rt	2
27	5412010099-0	Nipple R.1/2" Npt X R.3/4" Unf X 50mm With Hexagonal 7/8"	1	62	5204060025-6	Complete Wheel Hub	2
28	5412010104-0	Nipple R.1/2"(G) X 3/4" Unf X 45mm With Hexagonal 1"	1	63	6020350224-1	Retainer Ø55,00 X Ø90,00 X 12,50mm	2
29	5412050018-2	"T" Nipple	1	64	6020350056-7	Bearing 32210	2
30	6020310808-0	Double Hexagonal Nut 5/8" 18F Unf Gr5 Ch.15/16" H.21,50mm	8	65	6020350080-0	Bearing 30207	2
31	6020310760-1	Hexagonal Nut 5/8" 11F Unc Gr5 Ch.1.1/16" Height 15,00mm	1	66	6020310816-0	Double Conic Hexagonal Nut Of Wheel 9/16" 18F Unf Gr5 Ch.7/8" Height 19,00mm	12
32	6020010414-8	Pressure Washer 3/4" Media Industry	8	67	6020310998-1	Hexagonal Head Bolt 9/16" X 2" 18F Unf1A Gr5 Rp	12
33	6020430194-0	Sphere Valve 1/2" Npt Stauff: Bbvm20080200M / Gemels 1111Ab-	1	68	5204010063-6	Wheel Hub (Spare)	2
34	5024010073-5	Smooth Washer Ø8,5 X Ø20 X 2,00mm	2	69	6020130108-7	Grease Fitting 1/8"	2
35	6020390294-0	Lock Nma - Type "R" Ø3,5 X 67mm(Special)	4	70	KCJTRANLATSPD	Mechanic Lateral Transport Kit	1
36	6020310660-5	Pin Ø28 x 105mm	2				

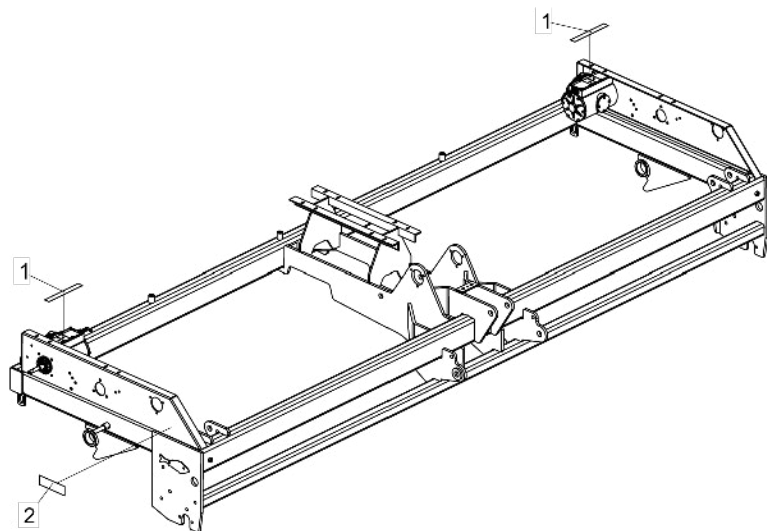
• Lateral Transport Cylinder



For spare parts order, please check in the cylinder jacket (1), the following: - Baldan part number with 11 numbers, the manufacturer code, name and manufacturer date.

Item	Code	Product description	All
1	5144010574-6	Jacket Ø82,55(3.1/4") x 632,5mm	1
2	5326010434-5	Piston Rod Ø41,22(1.5/8") x 595.5mm	1
3	5236010012-0	Piston Plung Ø26,72 X Ø81,95 X 50mm	1
4	5152010014-1	Piston Coupling Ø41,10 X Ø90,5 X 66mm	1
5	5456050003-6	Piston Nut Ø3.3/4" - 12fpp	1
6	5024010323-8	Smooth Washer Ø27 X Ø44,5 X 4,75mm	1
7	6020310814-4	Self-Locking Nut With Nylon 1" 14F Uns Gr5 Ch.1.1/2" H.20,00mm	1
8	6020390042-5	Plastic Cover Bt-21	2
9	6020190066-5	Repair Kit For Hydraulic Cylinders "D.A" 1.5/8" X 3.1/4"	1

• Stickers



Item	Code	Product description	All
1	6020070301-7	Sticker For Fertilizer Hopper Speed Box	2
1	6020070838-8	Sticker Speed Box (Easy/Precise/Secure) (200 X 100mm)	2
2	6020070886-8	Sticker Lubricate And Retighten (58 X 195mm)	1

SEMENTE - SEED - SEMILLA

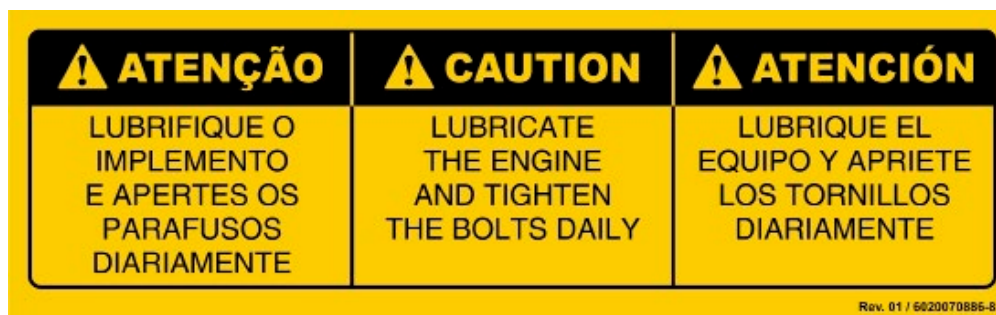
Rev. 01 6020070301-7

Item 1

ADUBO - FERTILIZER - ABONO

6020070301-7

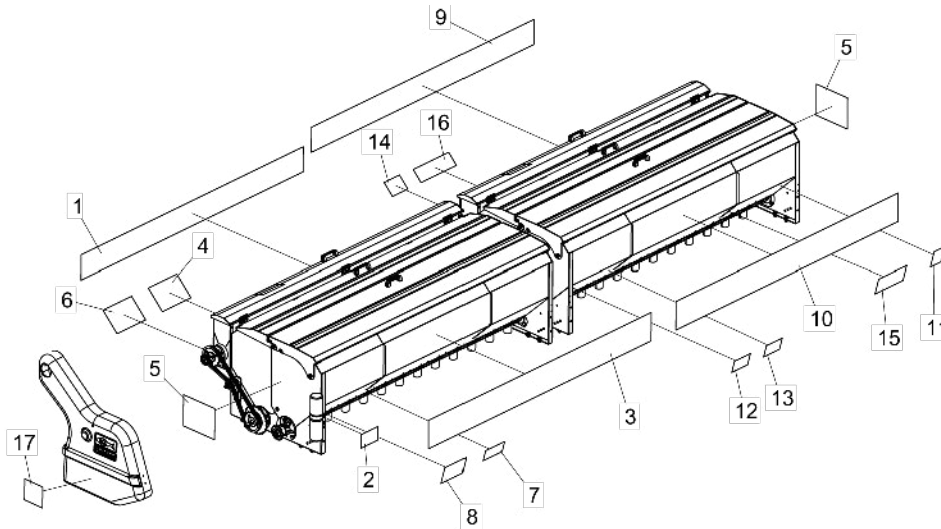
Item 1



Rev. 01 / 6020070886-8

Item 2

• Stickers



Item	Code	Product description	All	SPD 3000	SPD 4000	SPD 5000	SPD 3000 W/Pasture Seed Hopper	SPD-4000 W/Pasture Seed Hopper	SPD 5000 W/Pasture Seed Hopper
1	6020071362-4	Sticker Baldan (185 X 210mm)							1
2	5206010221-0	Sticker Instruction Manual Warning (100 X 160mm)	1						
3	6020070236-3	Sticker SPD-3000 Speed Box Baldan (210 X 2940mm)		2			1		
3	6020070239-8	Sticker SPD-4000 Speed Box (210 X 1750mm)			2			1	
3	6020070243-6	Sticker SPD-5000 Speed Box (210 X 2100mm)				2			1
4	5206010297-0	Sticker Fertilizer Distribution Table 17/09 SPD-Speed Box(180 X 270mm)	1						
5	6020070790-0	Sticker Logotype Baldan (230 X 280mm)	2						
6	5206010298-8	Sticker Fertilizer Distribution Table 09/17 SPD-Speed Box(180 X 270mm)	1						
7	5206010311-9	Sticker Row Marker Warning (180 X 100mm)	1						
8	5206010304-6	Sticker Change Of Oil For Speed Box(135 X 200mm)	1						
9	6020071156-7	Sticker SPD-5000 Speed Box "Pasture Seed Hopper" (185 X 2100mm)							1
10	6020070240-1	Sticker Baldan (210 X 1750mm)			2			1	
10	6020070244-4	Sticker Baldan (210 X 2100mm)				2			1
11	5206010278-3	Sticker For Cleaning The Fertilizer Hopper (105 X 130mm)	1						
12	5206010308-9	Sticker Hydraulic Hoses Warning(150 X 95mm)	1						
13	5206010310-0	Sticker Disc Warning (150 X 95mm)	1						
14	5206010309-7	Sticker Platform Warning (107 X 145mm)	1						
15	5206010285-6	Sticker Speed Box Transmission System (125 X 265mm)	1						
16	5206010057-8	Sticker Seed Distribution Table SPD/Sa/Sh/Sap(100 X 335mm)	1						
17	5206010307-0	Sticker Of Gear And Chains Warning (145 X 150mm)	1						



Item 1



Item 2



Item 3



Item 4



Item 5



Item 6



Item 7



Item 8



Item 9



Item 10



Item 11



Item 12



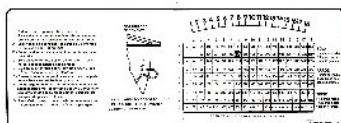
Item 13



Item 14



Item 15

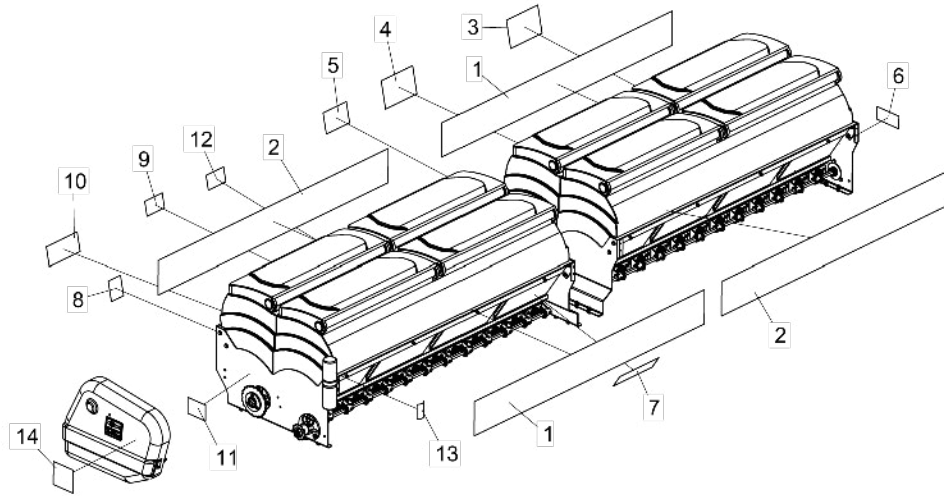


Item 16



Item 17

• Stickers



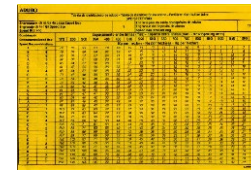
Item	Code	Product description	All	SPD 3000	SPD 4000	SPD 5000
1	6020071718-2	Sticker SPD Plastic Box Speed Box 3000 (230 X 1350mm)		2		
1	6020071719-0	Sticker SPD Plastic Box Speed Box 4000 (230 X 1630mm)			2	
1	6020071720-4	Sticker SPD Plastic Box Speed Box 5000 (230 X 1980mm)				2
2	6020071655-0	Sticker Baldan (230 X 1350mm)		2		
2	6020070537-0	Sticker Baldan (230 X 1630mm)			2	
2	6020070538-9	Sticker Baldan (230 X 1980mm)				2
3	5206010298-8	Sticker Fertilizer Distribution Table 09/17 SPD-Speed Box(180 X 270mm)	1			
4	5206010297-0	Sticker Fertilizer Distribution Table 17/09 SPD-Speed Box(180 X 270mm)	1			
5	5206010304-6	Sticker Change Of Oil For Speed Box(135 X 200mm)	1			
6	5206010311-9	Sticker Row Marker Warning (180 X 100mm)	1			
7	5206010057-8	Sticker Seed Distribution Table SPD/Sa/Sh/Sap(100 X 335mm)	1			
8	5206010278-3	Sticker For Cleaning The Fertilizer Hopper (105 X 130mm)	1			
9	5206010310-0	Sticker Disc Warning (150 X 95mm)	1			
10	5206010285-6	Sticker Speed Box Transmission System (125 X 265mm)	1			
11	5206010309-7	Sticker Platform Warning (107 X 145mm)	1			
12	5206010308-9	Sticker Hydraulic Hoses Warning(150 X 95mm)	1			
13	5206010221-0	Sticker Instruction Manual Warning (100 X 160mm)	1			
14	5206010307-0	Sticker Of Gear And Chains Warning (145 X 150mm)	1			



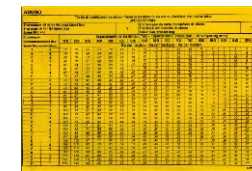
Item 1



Item 2



Item 3



Item 4



Item 5



Item 6



Item 7



Item 8



Item 9



Item 10



Item 11



Item 12



Item 13



Item 14



Avenida Baldan, 1500
Nova Matão
15.993-900
Matão/SP - Brasil
sac@baldan.com.br
export@baldan.com.br

+55 16 3221 6500
baldan.com.br