

Parts Catalog



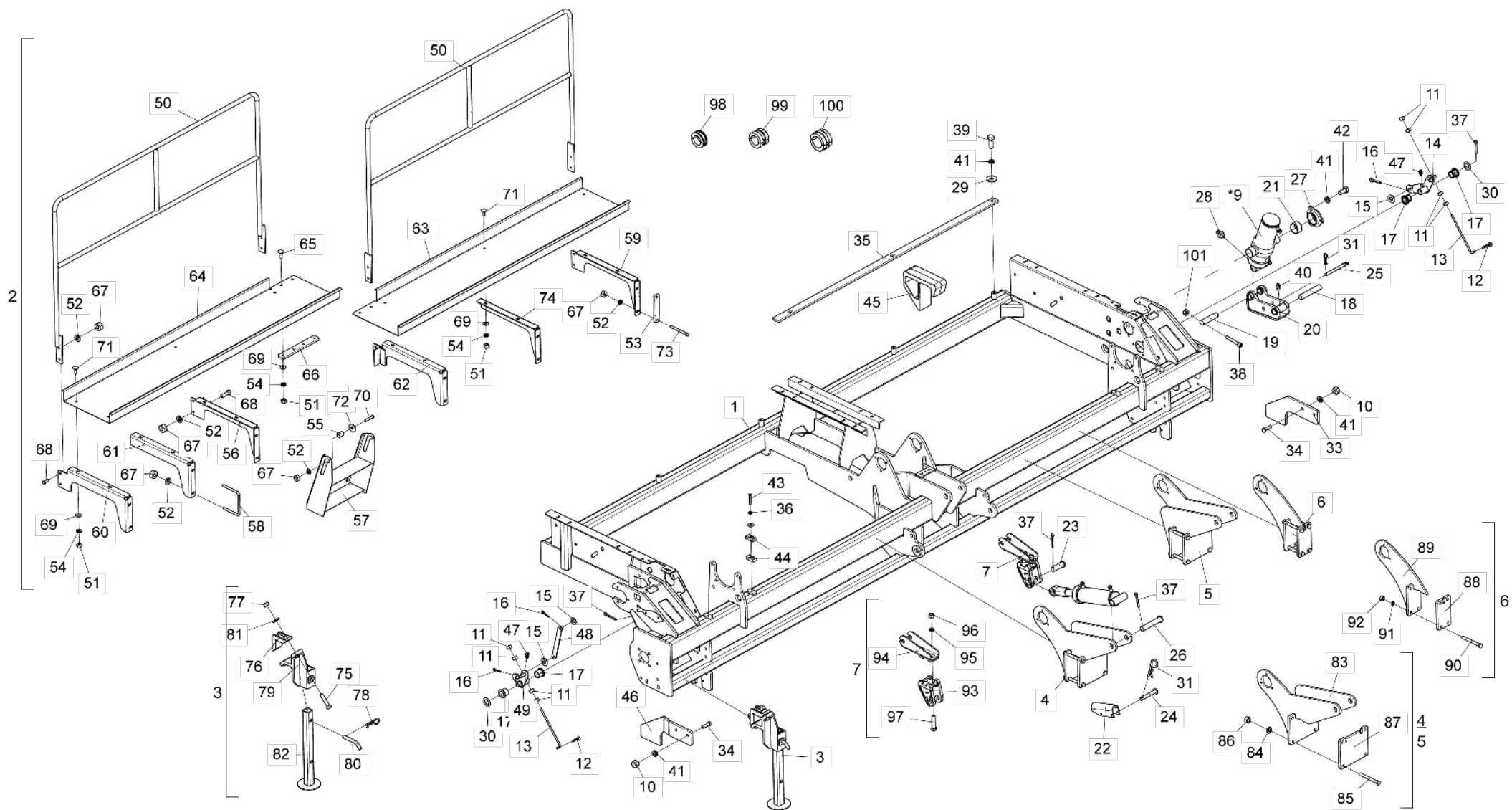
SPDE CXP
Special No-Till Seeder

 **BALDAN**

▪ Index

Functional Main Frame	4	Row Marker Cylinder	31
Table Functional Main Frame	5	Digital Hectarimeter SPDE 3000/4000 (Optional)	31
Transmission System.....	6	Digital Hectarimeter SPDE 5000 (Optional)	32
Table Transmission System.....	7	Planting Rows.....	33
Complete Wheel Support	8	Table Planting Rows.....	34
Seed and Fertilizer Hopper SPDE 3000.....	9	Row with Compactor Wheel in “V” Special.....	35
Table Seed and Fertilizer Hopper SPDE 3000.....	10	Row with Compactor Wheel in “V” Triple.....	35
Table Seed and Fertilizer Hopper SPDE 3000.....	11	Row W/ Compactor Wheel in “V” W/ 40mm Frieze (Special)	36
Seed and Fertilizer Hopper SPDE 4000/5000	12	Row with Convex Compac. Wheel (Special) and Convex Compac. Wheel w/ 40mm Frieze(Special)	36
Table Seed and Fertilizer Hopper SPDE 4000/5000	13	Row W/ Convex Compactor Wheel With Regulator Support	37
Table Seed and Fertilizer Hopper SPDE 4000/5000	14	Row Without Cutting Disc W/ Concave Compactor Wheel (Special)	37
Seed and Fertilizer Hopper SPDE 3000 W/Pasture Seed Hopper	15	Row with Iron Compac. Wheel (Special) and Iron Compac. Wheel W/40mm Frieze(Special)	38
Table Seed and Fertilizer Hopper SPDE 3000 W/Pasture Seed Hopper.....	16	Row W/Conc. Compac.Wheel W/ Reg.Sup. and Conc. Compac. Wheel W/Sup. Reg. W/Frise Of 40mm.....	39
Table Seed and Fertilizer Hopper SPDE 3000 W/Pasture Seed Hopper.....	17	Row W/Ribbed Cutting Disc W/Smooth Compactor Wheel (Special).....	40
Seed and Fertilizer Hopper SPDE 4000/5000 W/Pasture Seed Hopper	18	Wheel Cart Concave Depth W/Sup. of the Reg. and Convex Depth Wheel Cart W/Sup. Reg.	41
Table Seed and Fertilizer Hopper SPDE 4000/5000 W/Pasture Seed Hopper.....	19	Left and Right Row Smaller	42
Table Seed and Fertilizer Hopper SPDE 4000/5000 W/Pasture Seed Hopper.....	20	Table Left and Right Row Smaller	43
Complete Pasture Seed Hopper	21	Left and Right Line Larger	44
Table Complete Pasture Seed Hopper	22	Table Left and Right Line Larger.....	45
FertiSystem Doser Kit	23	Compactor Wheel Complete Cart.....	46
Seed Doser	24	Complete Trolley Of Splined Cutting Disc	47
Complete Hitch Drawbar	25	Iron Compactor Wheel Cart	48
Speed Box.....	25	Depth Wheel Cart and “V” Wheel (Eccentric) Complete.....	49
Hydraulic System W/Distributor for Simple Control Without Row Marker	26	Mechanical Kit of Lateral Transport (Optional) For 3000/4000/5000	50
Hydraulic System W/Distributor for Double Control Without Row Marker	27	Semi-Hydraulic Kit of Lateral Transport (Optional) For 4000/5000.....	51
Complete Row Marker System.....	27	Table Semi-Hydraulic Kit of Lateral Transport (Optional) For 4000/5000.....	52
Table Complete Row Marker System.....	28	Lateral Transport Cylinder	53
Central Articulation Cylinder of Rows.....	29	Electronic System SPDE	54
Lateral Articulation Cylinder of Wheel	30	Stickers.....	55-57

• Functional Main Frame

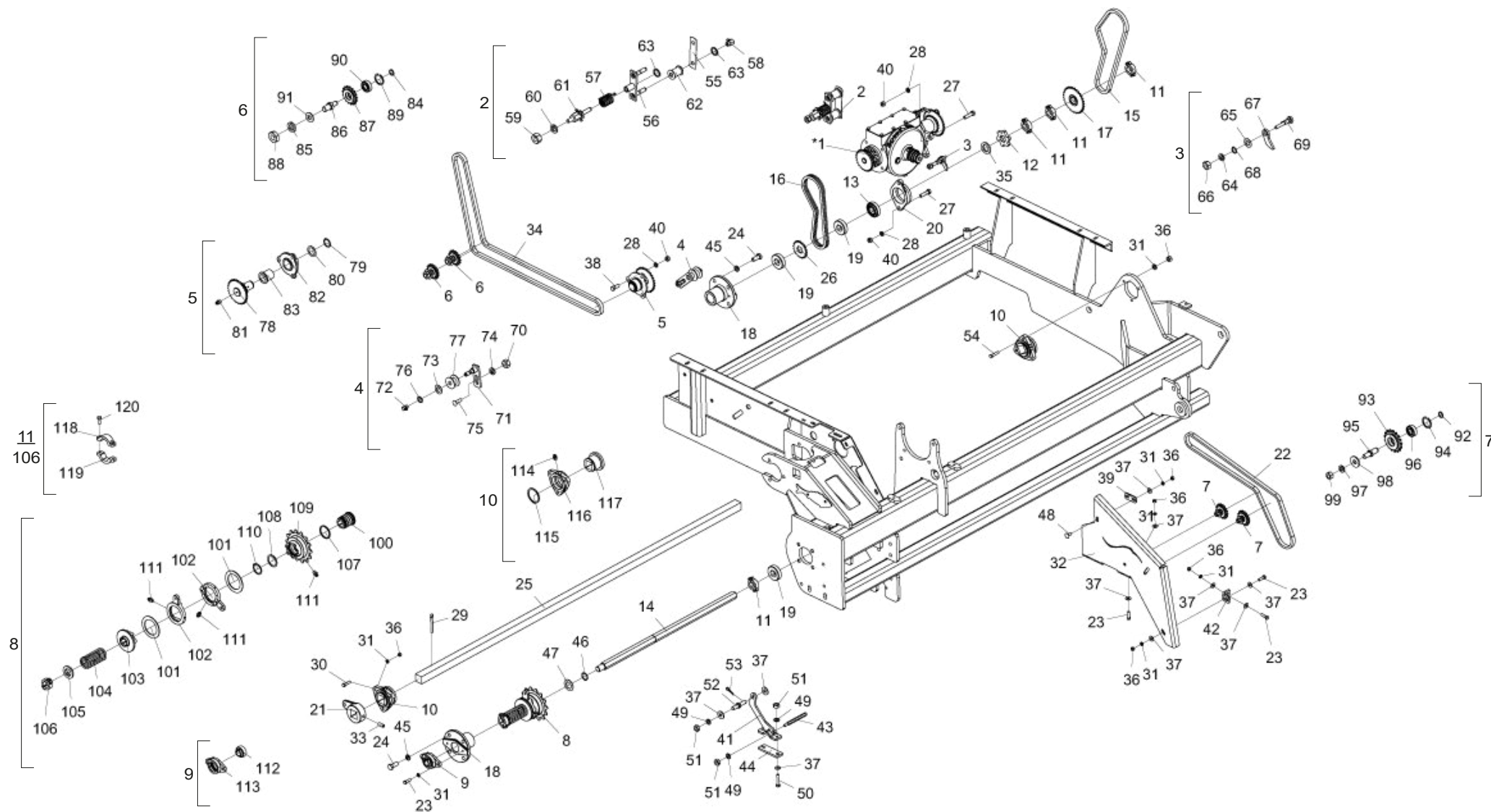


* Itens 8 e 9 - See page 30

• Table Functional Main Frame

Item	Code	Product description	All	SPDE 3000	SPDE 4000	SPDE 5000	Item	Code	Product description	All	SPDE 3000	SPDE 4000	SPDE 5000
1	5404010152-0	Main Frame SPDE-3000		1			50	5196010165-4	Platform Handrail				2
1	5404010153-8	Main Frame SPDE-4000			1		51	6020310746-6	Hexagonal Nut 3/8" 16F Unc Gr5 Ch.9/16" Height 8,50mm		12	16	16
1	5404010154-6	Main Frame SPDE-5000				1	52	6020010410-5	Pressure Washer 1/2" Media Industry		16	20	20
2	5440010876-8	Complete Platform SPDE/SPDET-3000		1			53	5136011941-0	Fixation Plate	2			
2	5440010877-6	Complete Platform SPDE/SPDET-4000			1		54	6020010406-7	Pressure Washer 3/8" Media Industry		12	16	16
2	5440010875-0	Complete Platform For Plastic Box SPDE/SPDET-5001				1	55	5080020100-1	Bushing Of Ø14 X Ø17,94 X 24mm	2			
3	5530030118-4	Complete Support 540mm	2				56	5530014803-3	Left Central Support Of Platform	1			
4	5530011492-9	Adjustment Left Support Of Piston	1				57	5259010002-1	Stair 2 Steps	1			
5	5530011491-0	Adjustment Right Support Of Piston	1				58	5068010089-3	Clamp Of 1/2" X 132,5 X 166mm		2	4	4
6	5530011490-2	Support Of Shaft				2	59	5530014800-9	Left Support of Platform	1			
7	5252010119-5	Piston Hitch Complete	2				60	5530014799-1	Right Support of Platform	1			
*8	6020055703-7	Hydraulic Cylinder "O.D" Ø1.5/8" X Ø3.1/4" X 200mm(Course) X 492mm(Closed)	2				61	5530014802-5	Right Central Support of Platform			1	1
*9	6020055734-7	Hydraulic Cylinder "O.D" Ø2" X Ø4" X 180mm(Course) X 184,6mm(Closed)	2				62	5530014805-0	Right Central Support Of Platform	1			
10	6020310760-1	Hexagonal Nut 5/8" 11F Unc Gr5 Ch.1.1/16" Height 15,00mm	4				63	5136011935-5	Left Plate Of Platform SPD-E 3000	1			
11	6020310746-6	Hexagonal Nut 3/8" 16F Unc Gr5 Ch.9/16" Height 8,50mm	8				63	5136011937-1	Left Plate Of Platform SPD-E 4000		1		
12	6020050104-0	Cotterpin 3/16" X 1"	2				63	5136011939-8	Left Plate Of Platform SPD-E 5000				1
13	5484010151-0	Ratchet Disarm Regulator	2				64	5136011934-7	Platform Right Plate SPD-E 3000		1		
14	5008010248-5	Left Handle Of Ratchet	1				64	5136011936-3	Platform Right Plate SPD-E 4000			1	
15	5024010162-6	Smooth Washer Ø13 X Ø26 X 2,00mm	4				64	5136011938-0	Platform Right Plate SPD-E 5000				1
16	6020050099-0	Cotterpin 1/8" X 3/4"	4				65	6020311090-4	French Head Bolt 3/8" X 1.1/4" 16F Unc1A Gr2 Rp	4			
17	5080010840-0	Bushing Of Ø22,5 X Ø38 X 28mm	4				66	5136011940-1	Fixation Plate	1			
18	5432010178-9	Flat Pin Ø1.1/4" X 177,5mm	2				67	6020310754-7	Hexagonal Nut 1/2" 12F W Gr5 Ch.7/8" Height 12,00mm		16	20	20
19	5432010177-0	Flat Pin Ø1.1/4" X 119mm	2				68	6020312001-2	Hexagonal Head Bolt 1/2" X 1.1/2" 12F W Gr5 Rt	6			
20	5530011519-4	Fixation Support	2				69	5024010075-1	Smooth Washer Ø10,3 X Ø25 X 2,00mm		12	16	16
21	5080010389-1	Flange Bronze Bushing	4				70	6020312300-3	Hexagonal Head Bolt 1/2" X 2.1/2" 12F W Gr5 Rp	2			
22	5558040007-7	Piston Lock Of 190mm	2				71	6020311160-9	French Head Bolt 3/8" X 1" 16F Unc1A Gr2 Rt		8	12	12
23	6020310665-6	French Head Pin Ø30,53 X 85mm	2				72	5024010068-9	Smooth Washer Ø13,3 X Ø35,5 X 3,00mm	2			
24	6020310421-1	French Head Pin Ø9,8 X 61mm	4				73	6020310208-1	Hexagonal Head Bolt 1/2" X 5.1/2" 12F W Gr5 Rp	4			
25	5432010174-6	Lock Pin Of Ø7/8" X 160mm	2				74	5530014801-7	Left Central Support of Platform			1	1
26	5432010152-5	French Head Pin Ø30,53 X 155mm	2				75	6020311098-0	Hexagonal Head Bolt 3/4" X 3.1/2" 10F Unc1A Gr5 Rp	4			
27	5284010041-3	Flange Of Piston Support	4				76	6010600770-8	Clamp	2			
28	6020130108-7	Grease Fitting 1/8"	2				77	6020310770-9	Hexagonal Nut 3/4" 10F Unc Gr5 Ch.1.7/32" Height 18,50mm	4			
29	5024010298-3	Smooth Washer Ø17 X Ø44 X 4,75mm		4	6	6	78	6020390308-4	Lock Nma - Type "R" Ø4,5 X 80mm	2			
30	5024010137-5	Smooth Washer Ø23 X Ø38 X 2,00mm	2				79	6010601107-1	Back Fixation Support	2			
31	6020390308-4	Lock Nma - Type "R" Ø4,5 X 80mm	6				80	5432020032-9	Pin "L" Ø3/4" X 94mm	2			
32	5024010075-1	Smooth Washer Ø10,3 X Ø25 X 2,00mm	4				81	6020010414-8	Pressure Washer 3/4" Media Industry	4			
33	5048010038-4	Left Chock Absorver Of Rows	1				82	5530030115-0	Support Of 540mm	2			
34	6020311075-0	Hexagonal Head Bolt 5/8" X 2.1/4" 11F Unc1A Gr5 Rp	4				83	5530140052-6	Adjustment Right Support Of Piston	2			
35	5040010202-0	Bar Of 2" X 1/2" X 1316mm		2			83	5530140053-4	Left Support Of Piston	2			
35	5040010200-4	Bar Of 51 X 1656 X 12,5mm			2		84	6020010124-6	Pressure Washer M16 Media	8			
35	5040010201-2	Bar Of 2" X 1/2" X 1996mm				2	85	6020310073-9	Hexagonal Head Bolt M16 X 2,00 X 160mm Cl8.8 Rp	8			
36	6020010406-7	Pressure Washer 3/8" Media Industry	4				86	6020310818-7	Hexagonal Nut M16 X 2,00 Ma Cl8 Ch.24mm H.13,00mm	8			
37	6020050106-6	Cotterpin 3/16" X 1.1/2"	6				87	5136010332-7	Plate Of Adjustment Support	2			
38	6020310903-5	Allen Bolt M8 X 1,25 X 55mm Cl12.9 Rp	6				88	5136010334-3	Plate Of 210 X 113,5 X 5/8"				2
39	6020310179-4	Hexagonal Head Bolt 5/8" X 1.3/4" 11F Unc1A Gr5 Rt		4	6	6	89	5530140054-2	Fixation Support Of Piston				2
40	6020130100-1	Grease Fitting 1/4"	2				90	6020310073-9	Hexagonal Head Bolt M16 X 2,00 X 160mm Cl8.8 Rp				8
41	6020010412-1	Pressure Washer 5/8" Media Industry	14				91	6020010124-6	Pressure Washer M16 Media				8
42	6020310433-5	Hexagonal Head Bolt 5/8" X 1.1/4" 18F Unf1A Gr5 Rt	12				92	6020310818-7	Hexagonal Nut M16 X 2,00 Ma Cl8 Ch.24mm H.13,00mm				8
43	6020311037-8	Hexagonal Head Bolt 3/8" X 2.1/2" 16F Unc1A Gr2 Rp	4				93	5252010050-4	Piston Hitch	2			
44	6020010723-6	Clamp (Ag3)	8				94	5530420142-7	Complete Support Of Spring	2			
45	6010601211-6	Counterweight		16	20	24	95	6020010414-8	Pressure Washer 3/4" Media Industry	4			
46	5048010039-2	Right Chock Absorver Of Rows	1				96	6020310770-9	Hexagonal Nut 3/4" 10F Unc Gr5 Ch.1.7/32" Height 18,50mm	4			
47	6020130104-4	Grease Fitting 1/4"	2				97	6020311098-0	Hexagonal Head Bolt 3/4" X 3.1/2" 10F Unc1A Gr5 Rp	4			
48	5072011703-4	Ratchet Disarm Arm	2				98	5348050006-3	Complete Limiter Of Ø42 X 25mm	2			
49	5008010249-3	Right Handle Of Ratchet	1				99	5348050009-8	Complete Limiter Of Ø42 X 49,5mm	2			
50	5196010163-8	Platform Handrail		2			100	5348050012-8	Complete Limiter Of Ø51 X 49,5mm	4			
50	5196010164-6	Platform Handrail			2		101	6020317449-0	Self-Locking Nut With Nylon Low M8 X 1,25 Ma Cl8 Ch.13mm H.8,00mm	6			

• Transmission System



* Item 1 - See page 26

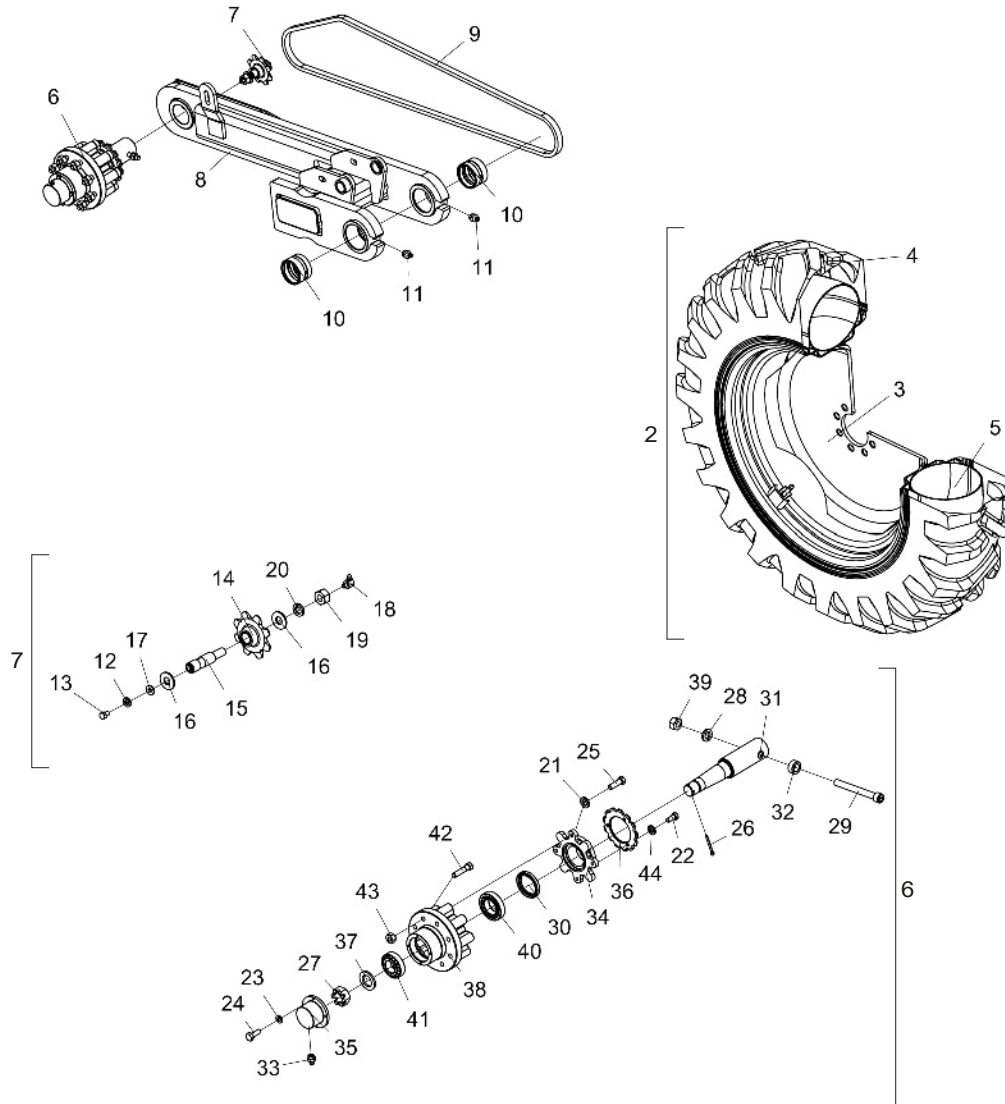
• Table Transmission System

Item	Code	Product description	All				Item	Code	Product description	All			
				SPDE 3000	SPDE 4000	SPDE 5000					SPDE 3000	SPDE 4000	SPDE 5000
*1	5092010610-0	Left Speed Box (Fertilizer)	1				31	6020010406-7	Pressure Washer 3/8" Media Industry		34	33	40
*1	5092010609-6	Right Speed Box (Fertilizer)	1				32	5464010409-3	Right Lateral Protection Of Hopper Plastic Main Frame SPDE	1			
2	5268010221-0	Complete Left Stretcher	1				32	5464010410-7	Left Lateral Protection Of Hopper Plastic Main Frame SPDE	1			
2	5268010222-8	Complete Right Stretcher	1				33	6020310114-0	Allen Bolt S/C 1/2" X 1.1/4" 12FW Cl12.9 Rt (Phosphated)	2			
3	5558010245-9	Left Lock Of Complete Rossette	1				34	6020051091-0	Chain (Asa 40) 200 Links + Reduction	2			
3	5558010246-7	Right Lock Of Complete Rossette	1				35	5024010406-4	Hexagonal Smooth Washer 32 X Ø55 X 6,30mm	2			
4	5268010141-8	Complete Chain Stretcher	2				36	6020310746-6	Hexagonal Nut 3/8" 16F Unc Gr5 Ch.9/16" Height 8,50mm		30	32	36
5	5204010313-9	Complete Transmission Hub (SPD-E)	2				37	5024010075-1	Smooth Washer Ø10,3 X Ø25 X 2,00mm		28	26	28
6	5268010808-0	Complete Stretcher With Gear 17 Teeth (Asa 40) R.3/4"	4				38	6020310051-8	Hexagonal Head Bolt 1/2" X 1.1/4" 12FW Gr5 Rt	6			
7	5268010807-2	Complete Stretcher With Gear 17 Teeth (Asa 40) R.1/2"	4				39	5136015703-6	Hopper Fixation Plate	2			
8	5132010021-0	Complete Ratchet	1				40	6020310756-3	Hexagonal Nut 1/2" 12FW Gr5 Ch.3/4" Height 11,00mm	16			
8	5132010027-9	Complete Right Ratchet	1				41	5530018177-4	Support of Fixation	2			
9	5368010422-7	Sleeve Bearing With Self Compensation Gy1100 Krrb De Ø1"	2				42	5136013871-6	Protection Fixation Plate	2			
10	5204010306-6	Complete Shaft Hub		6	6	8	43	5232011967-7	Hexagonal Shaft 1/2" X 130mm	2			
11	5460010007-9	Complete Shaft Of Clamp	8				44	5136016272-2	Support Fixation Plate	2			
12	5200010005-6	Rossette	2				45	6020010412-1	Pressure Washer 5/8" Media Industry		22	24	24
13	6020250116-0	Bearing Assy F-110949	2				46	6020010264-1	Retaining Oring	2			
14	5232010698-2	Hexagonal Shaft 1.1/4" X 900mm	2				47	5024010490-0	Washer With Hexagonal Hole Ø32mm	2			
15	6020051042-1	Chain (Asa 40) 89 Links + Amendment	2				48	6020311160-9	French Head Bolt 3/8" X 1" 16F Unc1A Gr2 Rt	4			
16	6020050140-6	Chain (Asa 40) 65 Links + Amendment	2				49	6020010394-0	Pressure Washer M10 Media	8			
17	5256010056-6	Complete Gear 20/31 Teeth With Hexagonal 1.1/4"	2				50	6020310269-3	Hexagonal Head Bolt M10 X 1,50 X 55mm Cl8.8 Rt	4			
18	5284010040-5	Flange Of Wheel Support	4				51	6020310822-5	Hexagonal Nut M10 X 1,50 Ma Cl8 Ch.17mm H.8,00mm		8	5	8
19	6020030091-5	Bushing With Hexagonal Hole 1.1/4" Of Ø70 X 20mm		4	6	6	52	5432010639-0	Disarm Pin Of Ratchet	2			
20	6020250419-4	Cast Iron Bearing Type Flange Cjt-07 With Fitting Grease 1/8" 28F (Frm)	2				53	6020050099-0	Cotterpin 1/8" X 3/4"	2			
21	5072060004-5	Disarm Right Arm Of Ratchet	1				54	6020311034-3	Hexagonal Head Bolt 3/8" X 1.3/4" 16F Unc1A Gr2 Rp		12	12	18
21	5072060005-3	Left Arm Of Disarm Of Ratchet	1				55	5136020627-4	Front Plate Of Stretcher	2			
22	6020050285-2	Chain (Asa 40) 126 Links + Reduction	2				56	5268010146-9	Spare Chain Stretcher	2			
23	6020310026-7	Hexagonal Head Bolt 3/8" X 1.1/4" 16F Unc1A Gr5 Rt		12	11	12	57	6020250218-3	Torsion Helical Spring Ø38 X Ø46 X 67mm	1			
24	6020310434-3	Hexagonal Head Bolt 5/8" X 1.1/2" 18F Unf1A Gr5 Rt	16				57	6020250219-1	Torsion Helical Spring Ø38 X Ø46 X 67mm	1			
25	5232010701-6	Shaft 1.1/2" X 1420mm		1			58	6020130112-5	Grease Fitting 1/8"	4			
25	5232010696-6	Shaft 1.1/2" X 1760mm			1		59	6020310760-1	Hexagonal Nut 5/8" 11F Unc Gr5 Ch.1.1/16" Height 15,00mm	2			
25	5232010699-0	Shaft 1.1/2" X 2100mm				1	60	6020010412-1	Pressure Washer 5/8" Media Industry	2			
25	5232010702-4	Shaft 1.1/2" X 1495mm		1			61	5232010628-1	Left Shaft Of Stretcher	1			
25	5232010697-4	Shaft 1.1/2" X 1835mm			1		61	5232010629-0	Right Stretcher Shaft	1			
25	5232010700-8	Shaft 1.1/2" X 2175mm				1	62	5506010014-3	Roller Of Stretcher	4			
26	5256010103-1	Gear 20 Teeth	2				63	6020010252-8	Retaining Oring	6			
27	6020310049-6	Hexagonal Head Bolt 1/2" X 2" 12FW Gr5 Rp	10				64	6020010410-5	Pressure Washer 1/2" Media Industry	2			
28	6020010410-5	Pressure Washer 1/2" Media Industry	16				65	5024010059-0	Smooth Washer Ø16,5 X Ø29 X 1,21mm	2			
29	6020050116-3	Cotterpin 1/4" X 2"			4	4	66	6020310754-7	Hexagonal Nut 1/2" 12FW Gr5 Ch.7/8" Height 12,00mm	2			
30	6020311029-7	Hexagonal Head Bolt 3/8" X 1.1/2" 16F Unc1A Gr5 Rt	6				67	5558050016-0	Lock Of Rossette	2			

• Table Transmission System

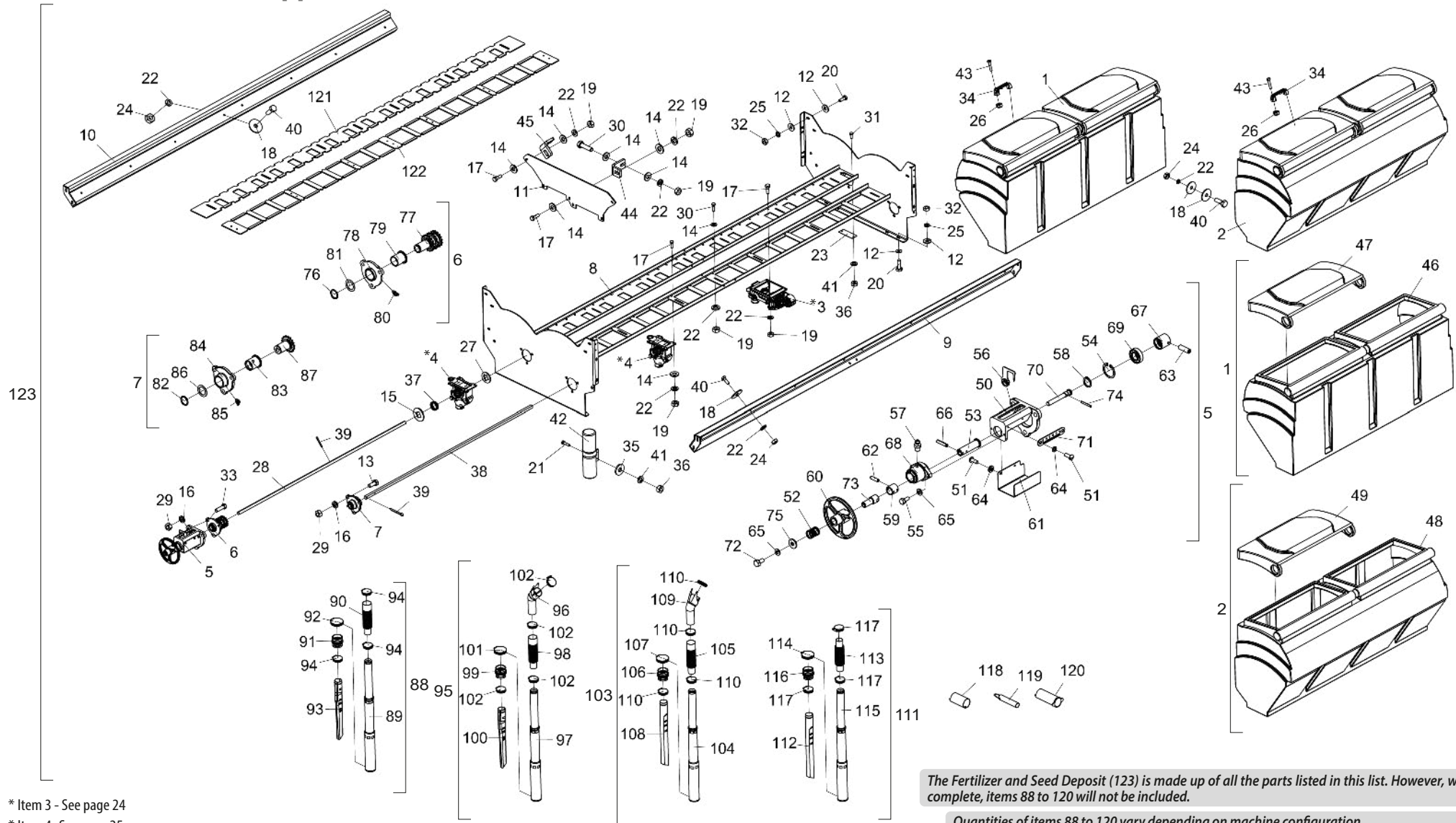
Item	Code	Product description	All	SPDE 3000	SPDE 4000	SPDE 5000	Item	Code	Product description	All	SPDE 3000	SPDE 4000	SPDE 5000
68	6020010252-8	Retaining Oring	2				106	5460010007-9	Complete Shaft Of Clamp	2			
69	5432010175-4	Lock Pin Of Trigger	2				107	5024010541-9	Smooth Washer Ø55,5 X Ø63,5 X 3,00mm	2			
70	6020310754-7	Hexagonal Nut 1/2" 12F W Gr5 Ch.7/8" Height 12,00mm	2				108	5024010544-3	Smooth Washer Ø47 X Ø59,2 X 2,00mm	2			
71	5268010142-6	Spare Chain Stretcher	2				109	5256010267-4	Gear 14 and 6 Teeth Of Left Ratchet	1			
72	6020130112-5	Grease Fitting 1/8"	2				109	5256010466-9	Gear 14 And 6 Teeth Of Right Ratchet	1			
73	5024010059-0	Smooth Washer Ø16,5 X Ø29 X 1,21mm	2				110	6020010272-2	Retaining Ring E-46	2			
74	6020010410-5	Pressure Washer 1/2" Media Industry	2				111	6020130100-1	Grease Fitting 1/4"	10			
75	6020311175-7	French Head Bolt 1/2" X 1.5/8" 12F W Gr2 Rt	2				112	6020350081-8	Bearing Gy-1100 Krrb	2			
76	6020010252-8	Retaining Oring	2				113	5368010499-5	Fixation Bearing	2			
77	6020350849-5	Stretcher Pulley	2				114	6020130100-1	Grease Fitting 1/4"		6	6	8
78	5256010114-7	Complete Gear 29/17 Teeth	2				115	6020011020-2	Retaining Ring E-65		6	6	8
79	6020010307-9	Retaining Ring E-36	2				116	5204060004-3	Deph Shaft Hub		6	6	8
80	5024010374-2	Smooth Washer Ø36 X Ø52 X 1,50mm(Inox)	2				117	5080010013-2	Shaft Bushing		6	6	8
81	6020130100-1	Grease Fitting 1/4"	2				118	5460010003-6	Shaft Clamp Hexagonal 1.1/4" With Hole Passante	10			
82	5204010312-0	Transmission Hub	2				119	5460010004-4	Shaft Clamp Hexagonal 1.1/4" Hole With Thread	10			
83	5080010555-0	Bronze Bushing	2				120	6020310016-0	Hexagonal Head Bolt 1/4" X 3/4" 20F Unc1A Gr5 Rt	12			
84	6020010250-1	Retaining Oring	2										
85	6020010414-8	Pressure Washer 3/4" Media Industry	2										
86	5232011563-9	Fixation Shaft Of Stretcher Thread 3/4"	2										
87	5256010366-2	Complete Gear 17 Teeth(Asa 40)	2										
88	6020310784-9	Hexagonal Nut 3/4" 10F Unc Gr5 Ch.1.1/4" Height 11,00mm	2										
89	6020010284-6	Retaining Ring I-35	2										
90	6020350015-0	Bearing 6202 2Rs Ddu	2										
91	5024010142-1	Smooth Washer Ø20,3 X Ø46,5 X 3,00mm	2										
92	6020010250-1	Retaining Oring	2										
93	5256010366-2	Complete Gear 17 Teeth(Asa 40)	2										
94	6020010284-6	Retaining Ring I-35	2										
95	5232011562-0	Fixation Shaft Of Stretcher R.1/2"	2										
96	6020350015-0	Bearing 6202 2Rs Ddu	2										
97	6020010410-5	Pressure Washer 1/2" Media Industry	2										
98	5024010068-9	Smooth Washer Ø13,3 X Ø35,5 X 3,00mm	2										
99	6020310756-3	Hexagonal Nut 1/2" 12F W Gr5 Ch.3/4" Height 11,00mm	2										
100	5080010935-0	Hexagonal Bushing Of 1.1/4"	2										
101	5024010542-7	Smooth Washer Ø77 X Ø108 X 3,00mm	4										
102	5526010034-2	Separator Of Ratchet	4										
103	5256010268-2	Internal Left Gear Of Right Ratchet	1										
103	5256010465-0	Internal Right Gear Of Right Ratchet	1										
104	6020250573-5	Ratchet Spring	2										
105	5024010543-5	Smooth Washer Ø46,2 X Ø60 X 12,50mm	2										

• Complete Wheel Support



Item	Code	Product	All	Right	Left
1	5530011515-1	Complete Right Lifting Support		1	
1	5530011516-0	Left Support Of Complete Lifting			1
2	5498010100-5	Monunted Right Wheel		1	
2	5498010101-3	Mounted Left Wheel			1
3	6020350423-6	Wheel W 9" X 28" For Tyre 12.4.28	1		
4	6020050360-3	Inner Tube 12.4 - 28 Tr	1		
5	6020310410-6	Tyre 12.4.28X06 Linings	1		
6	5232012433-6	Complete Wheel Axle	1		
7	5268010203-1	Complete Chain Stretcher	1		
8	5530011517-8	Articulation Left Support (SPD-E)		1	
8	5530011518-6	Articulation Left Support (SPD-E)			1
9	6020050013-2	Chain 2050 Of 79 Links + Amendment	1		
10	5080010553-3	Flange Bronze Bushing	2		
11	6020130108-7	Grease Fitting 1/8"	2		
12	6020010404-0	Pressure Washer 5/16" Media Industry	1		
13	6020311020-3	Hexagonal Head Bolt 5/16" X 1/2" 18F Unc1A Gr2 Rt	1		
14	5256010084-1	Gear 8 Teeth With Bronze	1		
15	5232010475-0	Stretcher Shaft With Channel And Hole	1		
16	5024010239-8	Smooth Washer Ø16,5 X Ø37 X 3,00mm	2		
17	5024010073-5	Smooth Washer Ø8,5 X Ø20 X 2,00mm	1		
18	6020130106-0	Grease Fitting 1/4"	1		
19	6020310760-1	Hexagonal Nut 5/8" 11F Unc Gr5 Ch.1.1/16" Height 15,00mm	1		
20	6020010412-1	Pressure Washer 5/8" Media Industry	1		
21	6020010406-7	Pressure Washer 3/8" Media Industry	4		
22	6020312020-9	Hexagonal Head Bolt 5/16" X 3/4" 18F Unc1A Gr5 Rt	3		
23	6020010402-4	Pressure Washer 1/4" Media Industry	4		
24	6020310016-0	Hexagonal Head Bolt 1/4" X 3/4" 20F Unc1A Gr5 Rt	4		
25	6020310026-7	Hexagonal Head Bolt 3/8" X 1.1/4" 16F Unc1A Gr5 Rt	4		
26	6020050116-3	Cotterpin 1/4" X 2"	1		
27	5456020009-1	Nut 1.1/2" 12F	1		
28	6020010410-5	Pressure Washer 1/2" Media Industry	1		
29	6020310116-6	Allen Bolt C/C 1/2" X 4.1/2" 12FW C12.9 Rp (Phosphated)	1		
30	6020350243-8	Retainer Ø65,00 X Ø85,00 X 10,00mm	1		
31	5232010694-0	Wheel Shaft 323mm	1		
32	5080020168-0	Bushing Of Ø13,49 X Ø7/8" X 10mm	1		
33	6020130108-7	Grease Fitting 1/8"	1		
34	5284030005-6	Flange Of Wheel Hub	1		
35	5538010019-2	Cover Of Wheel Hub	1		
36	5256010260-7	Gear 14 Teeth With Central Hole Ø86,3mm	1		
37	5024010286-0	Smooth Washer Ø38,4 X Ø61 X 6,00mm	1		
38	5204010111-0	Wheel Hub	1		
39	6020310756-3	Hexagonal Nut 1/2" 12F W Gr5 Ch.3/4" Height 11,00mm	1		
40	6020350056-7	Bearing 32210	1		
41	6020350068-0	Bearing 32208	1		
42	6020310999-0	Hexagonal Head Bolt 9/16" X 2.1/2" 18F Unf1A Gr5 Rp	8		
43	6020310806-3	Double Conic Hexagonal Nut Of Wheel 9/16" 18F Unf Gr5 Ch.1.1/16" Height 20,00mm	8		
44	6020010404-0	Pressure Washer 5/16" Media Industry	3		

• Seed and Fertilizer Hopper SPDE 3000



* Item 3 - See page 24

* Item 4 - See page 25

The Fertilizer and Seed Deposit (123) is made up of all the parts listed in this list. However, when sold complete, items 88 to 120 will not be included.

Quantities of items 88 to 120 vary depending on machine configuration.

• Table Seed and Fertilizer Hopper SPDE 3000

Item	Code	Product description	All	Item	Code	Product description	All
1	6020071648-8	Plastic Seed With Cover (3000)	2	35	5024010161-8	Smooth Washer Ø7 X Ø18 X 2,00mm	2
2	6020071646-1	Plastic Fertilizer Hopper With Cover (3000)	2	36	6020310362-2	Brass Hexagonal Bolt M6 X 1,00 Ma Ch.10mm Height 5,00mm	6
*3	6020051126-6	Batcher Kit Fertisystem Auto-Lub Ap/2D Ng Me(Fertisystem 11110000)	16	37	6020250252-3	Helical Spring Ø23 X Ø28 X 24mm	16
*4	6020072084-1	Pneumatic Batcher(Nardi-88002843)	16	38	5232010687-7	Fertilizer Shaft Sq.5/8" X 1500mm	2
5	5484010158-7	Complete Right Seed Of Regulator	1	39	6020050101-5	Cotterpin 1/8" X 1"	36
5	5484010159-5	Complete Left Seed Of Regulator	1	40	6020310171-9	Hexagonal Head Bolt Inox M10 X 1,50 X 30mm Ma Rt	28
6	5204010383-0	Complete Seed Shaft Hub	2	41	6020010122-0	Pressure Washer M6 Media	6
7	5204010311-2	Complete Fertilizer Shaft Hub	2	42	6020050642-4	Container For Instruction Manual	1
8	5530015934-5	Support Of Plastic Box(SPDEA 7000)	1	43	6020317413-9	Hexagonal Head Bolt Inox M8 X 1,25 X 40mm Ma Rt	16
9	5530014868-8	Hopper Support Of Fertilizer Plastic Box	1	44	5136015121-6	Large Fixation Plate	4
10	5530014869-6	Support Of Seed Hopper Plastic Box	1	45	5136015120-8	Small Fixation Plate	2
11	5136015122-4	Central Plate Of Deposit	1	46	6020055340-6	Plastic Box For Seed Inteirica 3000 Without Cover	2
12	5024010075-1	Smooth Washer Ø10,3 X Ø25 X 2,00mm	32	47	6020390929-5	Plastic Cover Of Fertilizer/Seed Hopper 3000	2
13	6020310044-5	Hexagonal Head Bolt Inox M12 X 1,75 X 30mm Ma Rt (Without Nut)	6	48	6020055338-4	Plastic Box For Fertilizer Inteirica 3000 Without Cover	2
14	6020010431-8	Plain Inox Washer Ø8,5 X Ø18 X 1,8mm	112	49	6020390929-5	Plastic Cover Of Fertilizer/Seed Hopper 3000	2
15	5024010083-2	Smooth Washer Sq.17 X Ø43 X 3,00mm	16	50	5530015695-8	Fixation Support Of Regulator	2
16	6020015923-6	Pressure Washer Inox M12 Mean	12	51	6020310119-0	Bolt 3/16" X 1/2" 24F Unc1A Gr5 Rt	8
17	6020310354-1	Hexagonal Head Bolt Inox M8 X 1,25 X 25mm Cl 8.8 Rt	136	52	6020250577-8	Helical Spring Ø12,5 X Ø16,5 X 19mm	2
18	5024010428-5	Stainless Smooth Washer Of Ø10,50 X Ø40 X 2,50mm	40	53	5232011662-7	Seed Regulating Shaft	2
19	6020310730-0	Brass Hexagonal Nut M8 X 1,25 Ma Ch.13mm H.6,50mm	164	54	6020011054-7	Retaining Ring I-032	2
20	6020317475-9	Hexagonal Head Bolt M10 X 1,50 X 30mm Cl8.8 Rt	16	55	6020311001-7	Hexagonal Head Bolt 1/4" X 5/8" 20F Unc1A Gr5 Rt	4
21	6020310027-5	Hexagonal Head Bolt M6 X 1,00 X 25mm Cl8.8 Rt	2	56	5530015670-2	Support Of Regulating Arrow	2
22	6020015922-8	Pressure Washer Inox M8 Mean	192	57	6020130100-1	Grease Fitting 1/4"	2
23	5538010600-0	Cover Of 44 X 119 X 1,21mm	2	58	6020010250-1	Retaining Oring	2
24	6020310355-0	Brass Hexagonal Bolt M10 X 1,50 Ma Ch.17mm Alt8,00mm	28	59	5080011496-6	Back Bushing	2
25	6020010394-0	Pressure Washer M10 Media	16	60	5484010160-9	Seed Hopper Regulator	2
26	6020317449-0	Self-Locking Nut With Nylon Low M8 X 1,25 Ma Cl8 Ch.13mm H.8,00mm	16	61	5464010385-2	Right Protection Of Seed Regulator	1
27	5024010368-8	Smooth Washer With Square Hole 17 X Ø36 X 2,50mm	16	61	5464010386-0	Left Protection Of Seed Regulator	1
28	5232011851-4	Right Shaft Seed 1510mm	1	62	6020312084-5	Heavy Elastic Pin Ø5 X 18mm	4
28	5232011852-2	Left Shaft Of Seed 1506mm	1	63	6020312003-9	Allen Bolt S/C 5/16" X 1" 18F Unc1A Cl12.9 Rt (Phosphated)	2
29	6020310820-9	Hexagonal Nut M12 X 1,75 Ma Cl8 Ch.19mm H.10,00mm	12	64	6020010400-8	Pressure Washer 3/16" Media Industry	8
30	6020310066-6	Hexagonal Head Bolt Inox M8 X 1,25 X 30mm Ma Rt	28	65	6020010402-4	Pressure Washer 1/4" Media Industry	6
31	6020310291-0	Hexagonal Head Bolt M6 X 1,00 X 15mm Cl8.8 Rt	4	66	6020310502-1	Heavy Elastic Pin Ø5 X 24mm	2
32	6020310822-5	Hexagonal Nut M10 X 1,50 Ma Cl8 Ch.17mm H.8,00mm	16	67	5080011452-4	Bushing Of Regulator Seed	2
33	6020310363-0	Hexagonal Head Bolt Inox M12 X 1,75 X 45mm Ma Rt	6	68	5530015696-6	Fixation Support Of Steering Wheel	2
34	6020010922-0	Nylon Belt Pmc 594 - 132 X 32 mm	8	69	6020350887-8	Sphere Rigid Bearing 6002 Zz	2

• Table Seed and Fertilizer Hopper SPDE 3000

Item	Code	Product description	All	Item	Code	Product description	All
70	5232011655-4	Seed Regulating Shaft	2	106	6020390844-2	Rubber Union Ø41 X Ø54 X 62mm	1
71	5136015357-0	Plate Of Adjustment Of 50 A 0mm	2	107	6020010711-2	Clamp 57-76 Ribbon 13/14mm	1
72	6020311000-9	Hexagonal Head Bolt 1/4" X 1/2" 20F Unc1A Gr5 Rt	2	108	6020030671-9	Distributor Funnel 470mm	1
73	5232011663-5	Spring Shaft	2	109	5272010010-0	Extension Of Seed Hose	1
74	6020310470-0	Heavy Elastic Pin Ø3 X 24mm	2	110	6020010706-6	Clamp 044 X 057 X 14.5mm (Carbon Steel)	4
75	5024010161-8	Smooth Washer Ø7 X Ø18 X 2,00mm	2	111	5150010130-3	Complete Seed Telescopic Conductor	1
76	6020010307-9	Retaining Ring E-36	2	112	6020030671-9	Distributor Funnel 470mm	1
77	5256010101-5	Triple Gear Of Transmission 17 Teeth	2	113	6020250484-4	Hose Ø38 X Ø38 X 220mm	1
78	5204010384-8	Seed Shaft Hub	2	114	6020010711-2	Clamp 57-76 Ribbon 13/14mm	1
79	5080010552-5	Bronze Bushing	2	115	6020050666-1	Conductor Telescopico (Ref.260 200 05)	1
80	6020130104-4	Grease Fitting 1/4"	2	116	6020390844-2	Rubber Union Ø41 X Ø54 X 62mm	1
81	5024010374-2	Smooth Washer Ø36 X Ø52 X 1,50mm(Inox)	2	117	6020010706-6	Clamp 044 X 057 X 14.5mm (Carbon Steel)	3
82	6020010307-9	Retaining Ring E-36	2	118	6020390091-3	Block Tube - "Optional" (07000012)	1
83	5080010548-7	Bronze Bushing	2	119	6020390092-1	Fixator Tube - "Optional" (300303005)	1
84	5204010310-4	Fertilizer Shaft Hub	2	120	6020390093-0	Maintenance Tube	1
85	6020130104-4	Grease Fitting 1/4"	2	121	5136019654-6	Seed Box Lateral Support Plate 2870mm	1
86	5024010374-2	Smooth Washer Ø36 X Ø52 X 1,50mm(Inox)	2	122	5136019657-0	Placa de soporte del conductor de fertilizante 2870 mm	1
87	5256010109-0	Gear 17 Teeth	2	123	5208012788-0	Fertilizer And Seed Hopper SPDE/SPDET Plastic Box 3000(Conductor)	1
88	5150010015-3	Complete Fertilizer Telescopic Conductor	1				
89	6020050666-1	Conductor Telescopico (Ref.260 200 05)	1				
90	6020250483-6	Hose Ø38 X Ø50,8 X 220mm	1				
91	6020390844-2	Rubber Union Ø41 X Ø54 X 62mm	1				
92	6020010711-2	Clamp 57-76 Ribbon 13/14mm	1				
93	6020030672-7	Distributor Funnel 425mm	1				
94	6020010706-6	Clamp 044 X 057 X 14.5mm (Carbon Steel)	3				
95	5150010026-9	Fertilizer Telescopic Conductor W/Complete Extensor(SPD-E)	1				
96	5272010014-2	Stension Of Fertilizer/Seed Hose	1				
97	6020050666-1	Conductor Telescopico (Ref.260 200 05)	1				
98	6020250483-6	Hose Ø38 X Ø50,8 X 220mm	1				
99	6020390844-2	Rubber Union Ø41 X Ø54 X 62mm	1				
100	6020030672-7	Distributor Funnel 425mm	1				
101	6020010711-2	Clamp 57-76 Ribbon 13/14mm	1				
102	6020010706-6	Clamp 044 X 057 X 14.5mm (Carbon Steel)	4				
103	5150010131-1	Sedd Telescopic Conductor W/Complete Extensor(SPD-E)	1				
104	6020050666-1	Conductor Telescopico (Ref.260 200 05)	1				
105	6020250483-6	Hose Ø38 X Ø50,8 X 220mm	1				

• Table Seed and Fertilizer Hopper SPDE 4000/5000

Item	Code	Product description				Item	Code	Product description			
			All	SPDE 4000	SPDE 5000				All	SPDE 4000	SPDE 5000
1	5530015951-5	Support Of Plastic Box W/10 Saidas		2		31	5530014808-4	Hopper Support Of Fertilizer Plastic Box			2
1	5530015952-3	Support Of Plastic Box W/12 Saidas		2		32	6020310746-6	Hexagonal Nut 3/8" 16F Unc Gr5 Ch.9/16" Height 8,50mm	16		
*2	6020058605-3	Batcher Kit Fertisystem Auto-Lub Ap/2E Ng Me(Fertisystem 11040000)		10	12	33	6020010406-7	Pressure Washer 3/8" Media Industry	16		
*2	6020051126-6	Batcher Kit Fertisystem Auto-Lub Ap/2D Ng Me(Fertisystem 11110000)		10	12	34	6020310896-9	Hexagonal Head Bolt Inox 1/2" X 1.3/4" 12F W Rt	3		
*3	6020072084-1	Pneumatic Batcher(Nardi-88002843)		20	24	35	6020310883-7	Hexagonal Head Bolt Inox 5/16" X 1" 18F Unc2A Rt		160	192
4	6020071649-6	Plastic Seed With Cover (4000)		2		36	6020310026-7	Hexagonal Head Bolt 3/8" X 1.1/4" 16F Unc1A Gr5 Rt	16		
4	6020071635-6	Plastic Seed With Cover (5000)		2		37	6020310885-3	Hexagonal Head Bolt Inox 1/2" X 1.1/4" 12F W Rt	3		
5	6020071647-0	Plastic Fertilizer Hopper With Cover (4000)		2		38	5024010368-8	Smooth Washer With Square Hole 17 X Ø36 X 2,50mm		20	24
5	6020071637-2	Plastic Fertilizer Hopper With Cover (5000)		2		39	6020010922-0	Nylon Belt Pmc 594 - 132 X 32 mm	4		
6	5484010158-7	Complete Right Seed Of Regulator	1			40	5530014872-6	Support Of Seed Hopper Plastic Box		2	
6	5484010159-5	Complete Left Seed Of Regulator	1			40	5530014809-2	Support Of Seed Hopper Plastic Box			2
7	5204010383-0	Complete Seed Shaft Hub	1			41	6020310884-5	Hexagonal Head Bolt Inox 5/16" X 1.1/4" 18F Unc2A Rt		36	40
8	5204010311-2	Complete Fertilizer Shaft Hub	1			42	5232010688-5	Fertilizer Shaft Sq.5/8" X 1780mm		2	
9	6020311004-1	Hexagonal Head Bolt 1/4" X 7/8" 20F Unc1A Gr5 Rt	2			42	5232010689-3	Fertilizer Shaft Sq.5/8" X 2120mm			2
10	6020250252-3	Helical Spring Ø23 X Ø28 X 24mm		20	24	43	5232011854-9	Right Shaft Seed SPDE/SPDET 4000		1	
11	6020311001-7	Hexagonal Head Bolt 1/4" X 5/8" 20F Unc1A Gr5 Rt	4			43	5232011855-5	Right Shaft Seed SPDE/SPDET 5000			1
12	6020010431-8	Plain Inox Washer Ø8,5 X Ø18 X 1,8mm		116	136	43	5232011855-7	Left Shaft Of Seed SPDE/SPDET 4000		1	
13	6020010435-0	Pressure Washer Inox 1/2" Media	6			43	5232011857-3	Left Shaft Of Seed SPDE/SPDET 5000			1
14	6020010402-4	Pressure Washer 1/4" Media Industry	10			44	6020055341-4	Plastic Box For Seed Inteirica 4000 Without Cover		2	
15	5024010428-5	Stainless Smooth Washer Of Ø10,50 X Ø40 X 2,50mm	20			44	6020071636-4	Plastic Box For Seed Inteirica 5000 Without Cover			2
16	6020010436-9	Pressure Washer Inox 3/8" Media	14			45	6020390930-9	Plastic Cover Of Fertilizer/Seed Hopper 4000		2	
17	6020010434-2	Pressure Washer Inox 5/16" Media		196	232	45	6020390915-5	Plastic Cover Of Fertilizer/Seed Hopper 5000			2
18	5024010083-2	Smooth Washer Sq.17 X Ø43 X 3,00mm		20	24	46	6020055339-2	Plastic Box For Fertilizer Inteirica 4000 Without Cover		2	
19	5538010600-0	Cover Of 44 X 119 X 1,21mm	2			46	6020071638-0	Plastic Box For Fertilizer Inteirica 5000 Without Cover			2
20	5024010075-1	Smooth Washer Ø10,3 X Ø25 X 2,00mm	32			47	6020390930-9	Plastic Cover Of Fertilizer/Seed Hopper 4000		2	
21	6020050642-4	Container For Instruction Manual	1			47	6020390915-5	Plastic Cover Of Fertilizer/Seed Hopper 5000			2
22	6020310894-2	Hexagonal Head Bolt Inox 5/16" X 1.1/2" 18F Unc2A Rt	8			48	6020312003-9	Allen Bolt S/C 5/16" X 1" 18F Unc1A Cl12.9 Rt (Phosphated)	2		
23	6020310768-7	Brass Hexagonal Nut 3/8" 16F Unc Ch.9/16" H.8,50mm	14			49	5024010161-8	Smooth Washer Ø7 X Ø18 X 2,00mm	2		
24	6020310892-6	Hexagonal Head Bolt Inox 3/8" X 1.1/4" 16F Unc2A Rt	14			50	5484010160-9	Seed Hopper Regulator	2		
25	6020310766-0	Brass Hexagonal Nut 1/4" 20F Unc Ch.7/16" H.5,50mm	10			51	5080011496-6	Back Bushing	2		
26	5024010161-8	Smooth Washer Ø7 X Ø18 X 2,00mm	2			52	6020010250-1	Retaining Oring	2		
27	6020310754-7	Hexagonal Nut 1/2" 12F W Gr5 Ch.7/8" Height 12,00mm	6			53	6020130100-1	Grease Fitting 1/4"	2		
28	6020310813-6	Self-Locking Nut With Nylon 5/16" 18F Unc Gr5 Ch.1/2" H.9,00mm	8			54	5530015670-2	Support Of Regulating Arrow	2		
29	6020050101-5	Cotterpin 1/8" X 1"		44	52	55	6020311001-7	Hexagonal Head Bolt 1/4" X 5/8" 20F Unc1A Gr5 Rt		4	
30	6020310767-9	Brass Hexagonal Nut 5/16" 18F Unc Ch.1/2" H.6,50mm		196	232	56	6020011054-7	Retaining Ring I-032	2		
31	5530014871-8	Hopper Support Of Fertilizer Plastic Box	2			57	6020312084-5	Heavy Elastic Pin Ø5 X 18mm	4		

• Table Seed and Fertilizer Hopper SPDE 4000/5000

Item	Code	Product description	All	SPDE		Item	Code	Product description	All	SPDE	
				4000	5000					4000	5000
58	6020010402-4	Pressure Washer 1/4" Media Industry	6			93	5150010026-9	Fertilizer Telescopic Conductor W/Complete Extensor(SPDE-E)	1		
59	5232011662-7	Seed Regulating Shaft	2			94	5272010014-2	Stension Of Fertilizer/Seed Hose	1		
60	6020250577-8	Helical Spring Ø12,5 X Ø16,5 X 19mm	2			95	6020050666-1	Conductor Telescopico (Ref.260 200 05)	1		
61	5530015695-8	Fixation Support Of Regulator	2			96	6020250483-6	Hose Ø38 X Ø50,8 X 220mm	1		
62	5464010386-0	Left Protection Of Seed Regulator	1			97	6020390844-2	Rubber Union Ø41 X Ø54 X 62mm	1		
62	5464010385-2	Right Protection Of Seed Regulator	1			98	6020030672-7	Distributor Funnel 425mm	1		
63	6020311000-9	Hexagonal Head Bolt 1/4" X 1/2" 20F Unc1A Gr5 Rt	2			99	6020010711-2	Clamp 57-76 Ribbon 13/14mm	1		
64	6020310470-0	Heavy Elastic Pin Ø3 X 24mm	2			100	6020010706-6	Clamp 044 X 057 X 14.5mm (Carbon Steel)	4		
65	5232011663-5	Spring Shaft	2			101	5150010131-1	Sedd Telescopic Conductor W/Complete Extensor(SPDE-E)	1		
66	5136015357-0	Plate Of Adjustment Of 50 A 0mm	2			102	6020050666-1	Conductor Telescopico (Ref.260 200 05)	1		
67	5232011655-4	Seed Regulating Shaft	2			103	6020250483-6	Hose Ø38 X Ø50,8 X 220mm	1		
68	6020350887-8	Sphere Rigid Bearing 6002 Zz	2			104	6020390844-2	Rubber Union Ø41 X Ø54 X 62mm	1		
69	5530015696-6	Fixation Support Of Steering Wheel	2			105	6020010711-2	Clamp 57-76 Ribbon 13/14mm	1		
70	5080011452-4	Bushing Of Regulator Seed	2			106	6020030671-9	Distributor Funnel 470mm	1		
71	6020310502-1	Heavy Elastic Pin Ø5 X 24mm	2			107	5272010010-0	Extension Of Seed Hose	1		
72	6020310119-0	Bolt 3/16" X 1/2" 24F Unc1A Gr5 Rt	8			108	6020010706-6	Clamp 044 X 057 X 14.5mm (Carbon Steel)	4		
73	6020010400-8	Pressure Washer 3/16" Media Industry	8			109	5150010130-3	Complete Seed Telescopic Conductor	1		
74	6020010307-9	Retaining Ring E-36	1			110	6020030671-9	Distributor Funnel 470mm	1		
75	6020130104-4	Grease Fitting 1/4"	1			111	6020250484-4	Hose Ø38 X Ø38 X 220mm	1		
76	5080010552-5	Bronze Bushing	1			112	6020010711-2	Clamp 57-76 Ribbon 13/14mm	1		
77	5204010384-8	Seed Shaft Hub	1			113	6020050666-1	Conductor Telescopico (Ref.260 200 05)	1		
78	5256010101-5	Triple Gear Of Transmission 17 Teeth	1			114	6020390844-2	Rubber Union Ø41 X Ø54 X 62mm	1		
79	5024010374-2	Smooth Washer Ø36 X Ø52 X 1,50mm(Inox)	1			115	6020010706-6	Clamp 044 X 057 X 14.5mm (Carbon Steel)	3		
80	5204010310-4	Fertilizer Shaft Hub	1			116	6020390091-3	Block Tube - "Optional" (07000012)	1		
81	6020130104-4	Grease Fitting 1/4"	1			117	6020390092-1	Fixator Tube - "Optional" (300303005)	1		
82	5080010548-7	Bronze Bushing	1			118	6020390093-0	Maintenance Tube	1		
83	6020010307-9	Retaining Ring E-36	1			119	5136019652-0	Seed Box Lateral Support Plate 1700mm		2	
84	5256010109-0	Gear 17 Teeth	1			120	5136019655-4	Fertilizer Conductor Support Plate 1700mm			2
85	5024010374-2	Smooth Washer Ø36 X Ø52 X 1,50mm(Inox)	1			121	5208012792-8	Complete Left Fertilizer And Seed Hopper SPDE Plastic Box 4000		1	
86	5150010015-3	Complete Fertilizer Telescopic Conductor	1			121	5208012797-9	Complete Left Fertilizer And Seed Hopper SPDE Plastic Box 5000			1
87	6020050666-1	Conductor Telescopico (Ref.260 200 05)	1			122	5208012790-1	Complete Right Fertilizer And Seed Hopper SPDE Plastic Box 4000		1	
88	6020250483-6	Hose Ø38 X Ø50,8 X 220mm	1			122	5208012795-2	Complete Right Fertilizer And Seed Hopper SPDE Plastic Box 5000			1
89	6020390844-2	Rubber Union Ø41 X Ø54 X 62mm	1			123	5208012789-8	Complete Fertilizer And Seed Hopper SPDE Plastic Box 4000(Conductor)		1	
90	6020010711-2	Clamp 57-76 Ribbon 13/14mm	1			123	5208012794-4	Complete Fertilizer And Seed Hopper SPDE Plastic Box 5000(Conductor)			1
91	6020030672-7	Distributor Funnel 425mm	1								
92	6020010706-6	Clamp 044 X 057 X 14.5mm (Carbon Steel)	3								

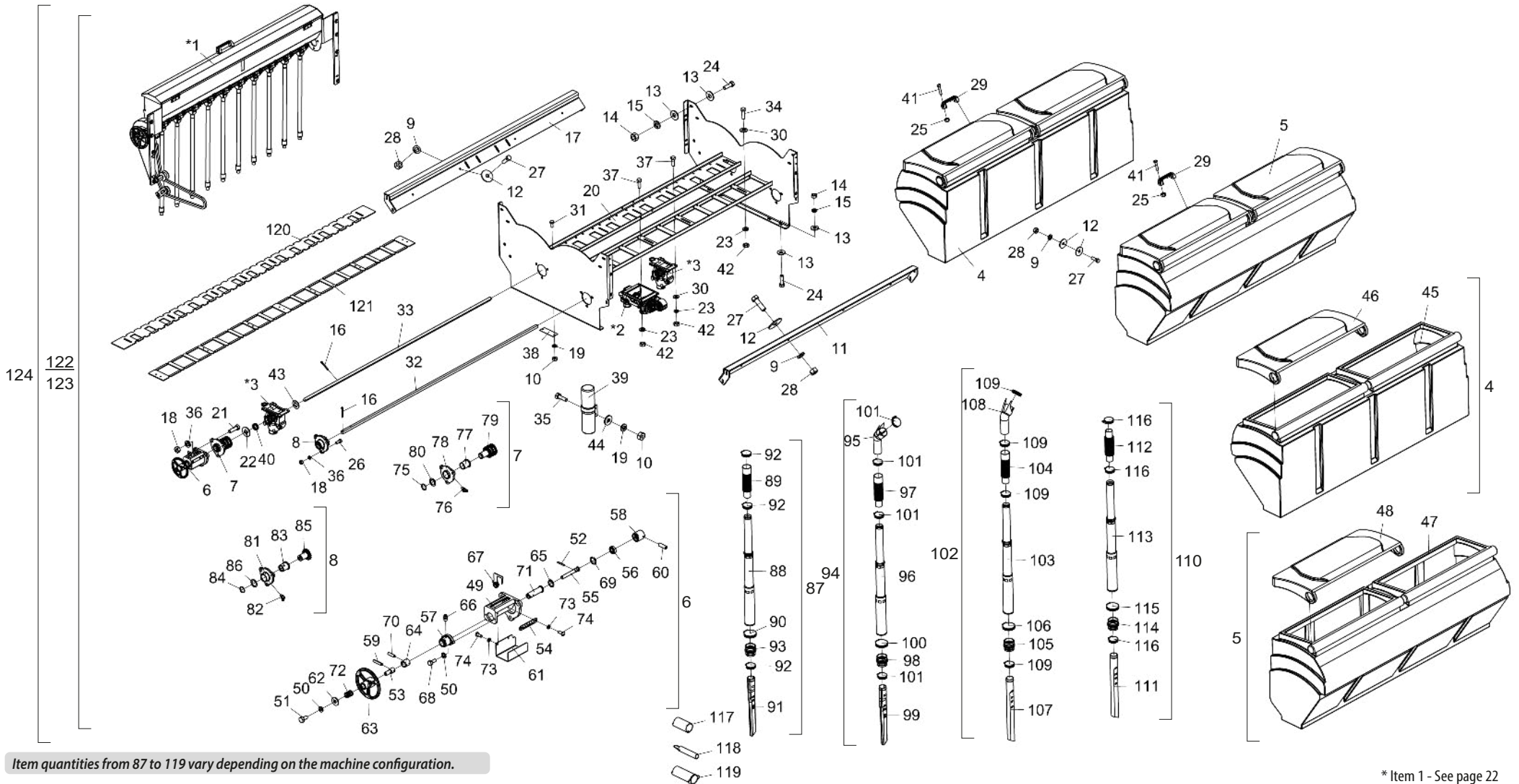
• Table Seed and Fertilizer Hopper SPDE 3000 W/Pasture Seed Hopper

Item	Code	Product description	All	Item	Code	Product description	All
1	6020071648-8	Plastic Seed With Cover (3000)	2	35	5024010161-8	Smooth Washer Ø7 X Ø18 X 2,00mm	2
2	6020071646-1	Plastic Fertilizer Hopper With Cover (3000)	2	36	6020310362-2	Brass Hexagonal Bolt M6 X 1,00 Ma Ch.10mm Height 5,00mm	6
*3	6020051126-6	Batcher Kit Fertisystem Auto-Lub Ap/2D Ng Me(Fertisystem 11110000)	16	37	6020250252-3	Helical Spring Ø23 X Ø28 X 24mm	16
*4	6020072084-1	Pneumatic Batcher(Nardi-88002843)	16	38	5232010687-7	Fertilizer Shaft Sq.5/8" X 1500mm	2
5	5484010158-7	Complete Right Seed Of Regulator	1	39	6020050101-5	Cotterpin 1/8" X 1"	36
5	5484010159-5	Complete Left Seed Of Regulator	1	40	6020310171-9	Hexagonal Head Bolt Inox M10 X 1,50 X 30mm Ma Rt	28
6	5204010383-0	Complete Seed Shaft Hub	2	41	6020010122-0	Pressure Washer M6 Media	6
7	5204010311-2	Complete Fertilizer Shaft Hub	2	42	6020050642-4	Container For Instruction Manual	1
8	5530015934-5	Support Of Plastic Box(SPDEA 7000)	1	43	6020317413-9	Hexagonal Head Bolt Inox M8 X 1,25 X 40mm Ma Rt	16
9	5530014868-8	Hopper Support Of Fertilizer Plastic Box	1	44	5136015121-6	Large Fixation Plate	4
10	5530014869-6	Support Of Seed Hopper Plastic Box	1	45	5136015120-8	Small Fixation Plate	2
11	5136015122-4	Central Plate Of Deposit	1	46	6020055340-6	Plastic Box For Seed Inteirica 3000 Without Cover	2
12	5024010075-1	Smooth Washer Ø10,3 X Ø25 X 2,00mm	32	47	6020390929-5	Plastic Cover Of Fertilizer/Seed Hopper 3000	2
13	6020310044-5	Hexagonal Head Bolt Inox M12 X 1,75 X 30mm Ma Rt (Without Nut)	6	48	6020055338-4	Plastic Box For Fertilizer Inteirica 3000 Without Cover	2
14	6020010431-8	Plain Inox Washer Ø8,5 X Ø18 X 1,8mm	112	49	6020390929-5	Plastic Cover Of Fertilizer/Seed Hopper 3000	2
15	5024010083-2	Smooth Washer Sq.17 X Ø43 X 3,00mm	16	50	5530015695-8	Fixation Support Of Regulator	2
16	6020015923-6	Pressure Washer Inox M12 Mean	12	51	6020310119-0	Bolt 3/16" X 1/2" 24F Unc1A Gr5 Rt	8
17	6020310354-1	Hexagonal Head Bolt Inox M8 X 1,25 X 25mm Cl 8.8 Rt	136	52	6020250577-8	Helical Spring Ø12,5 X Ø16,5 X 19mm	2
18	5024010428-5	Stainless Smooth Washer Of Ø10,50 X Ø40 X 2,50mm	40	53	5232011662-7	Seed Regulating Shaft	2
19	6020310730-0	Brass Hexagonal Nut M8 X 1,25 Ma Ch.13mm H.6,50mm	164	54	6020011054-7	Retaining Ring I-032	2
20	6020317475-9	Hexagonal Head Bolt M10 X 1,50 X 30mm Cl8.8 Rt	16	55	6020311001-7	Hexagonal Head Bolt 1/4" X 5/8" 20F Unc1A Gr5 Rt	4
21	6020310027-5	Hexagonal Head Bolt M6 X 1,00 X 25mm Cl8.8 Rt	2	56	5530015670-2	Support Of Regulating Arrow	2
22	6020015922-8	Pressure Washer Inox M8 Mean	192	57	6020130100-1	Grease Fitting 1/4"	2
23	5538010600-0	Cover Of 44 X 119 X 1,21mm	2	58	6020010250-1	Retaining Oring	2
24	6020310355-0	Brass Hexagonal Bolt M10 X 1,50 Ma Ch.17mm Alt8,00mm	28	59	5080011496-6	Back Bushing	2
25	6020010394-0	Pressure Washer M10 Media	16	60	5484010160-9	Seed Hopper Regulator	2
26	6020317449-0	Self-Locking Nut With Nylon Low M8 X 1,25 Ma Cl8 Ch.13mm H.8,00mm	16	61	5464010385-2	Right Protection Of Seed Regulator	1
27	5024010368-8	Smooth Washer With Square Hole 17 X Ø36 X 2,50mm	16	61	5464010386-0	Left Protection Of Seed Regulator	1
28	5232011851-4	Right Shaft Seed 1510mm	1	62	6020312084-5	Heavy Elastic Pin Ø5 X 18mm	4
28	5232011852-2	Left Shaft Of Seed 1506mm	1	63	6020312003-9	Allen Bolt S/C 5/16" X 1" 18F Unc1A Cl12.9 Rt (Phosphated)	2
29	6020310820-9	Hexagonal Nut M12 X 1,75 Ma Cl8 Ch.19mm H.10,00mm	12	64	6020010400-8	Pressure Washer 3/16" Media Industry	8
30	6020310066-6	Hexagonal Head Bolt Inox M8 X 1,25 X 30mm Ma Rt	28	65	6020010402-4	Pressure Washer 1/4" Media Industry	6
31	6020310291-0	Hexagonal Head Bolt M6 X 1,00 X 15mm Cl8.8 Rt	4	66	6020310502-1	Heavy Elastic Pin Ø5 X 24mm	2
32	6020310822-5	Hexagonal Nut M10 X 1,50 Ma Cl8 Ch.17mm H.8,00mm	16	67	5080011452-4	Bushing Of Regulator Seed	2
33	6020310363-0	Hexagonal Head Bolt Inox M12 X 1,75 X 45mm Ma Rt	6	68	5530015696-6	Fixation Support Of Steering Wheel	2
34	6020010922-0	Nylon Belt Pmc 594 - 132 X 32 mm	8	69	6020350887-8	Sphere Rigid Bearing 6002 Zz	2

• Table Seed and Fertilizer Hopper SPDE 3000 W/Pasture Seed Hopper

Item	Code	Product description	All	Item	Code	Product description	All
70	5232011655-4	Seed Regulating Shaft	2	106	6020250483-6	Hose Ø38 X Ø50,8 X 220mm	1
71	5136015357-0	Plate Of Adjustment Of 50 A 0mm	2	107	6020390844-2	Rubber Union Ø41 X Ø54 X 62mm	1
72	6020311000-9	Hexagonal Head Bolt 1/4" X 1/2" 20F Unc1A Gr5 Rt	2	108	6020010711-2	Clamp 57-76 Ribbon 13/14mm	1
73	5232011663-5	Spring Shaft	2	109	6020030671-9	Distributor Funnel 470mm	1
74	6020310470-0	Heavy Elastic Pin Ø3 X 24mm	2	110	5272010010-0	Extension Of Seed Hose	1
75	5024010161-8	Smooth Washer Ø7 X Ø18 X 2,00mm	2	111	6020010706-6	Clamp 044 X 057 X 14.5mm (Carbon Steel)	4
76	6020010307-9	Retaining Ring E-36	2	112	5150010130-3	Complete Seed Telescopic Conductor	1
77	5256010101-5	Triple Gear Of Transmission 17 Teeth	2	113	6020030671-9	Distributor Funnel 470mm	1
78	5204010384-8	Seed Shaft Hub	2	114	6020250484-4	Hose Ø38 X Ø38 X 220mm	1
79	5080010552-5	Bronze Bushing	2	115	6020010711-2	Clamp 57-76 Ribbon 13/14mm	1
80	6020130104-4	Grease Fitting 1/4"	2	116	6020050666-1	Conductor Telescopico (Ref.260 200 05)	1
81	5024010374-2	Smooth Washer Ø36 X Ø52 X 1,50mm(Inox)	2	117	6020390844-2	Rubber Union Ø41 X Ø54 X 62mm	1
82	6020010307-9	Retaining Ring E-36	2	118	6020010706-6	Clamp 044 X 057 X 14.5mm (Carbon Steel)	3
83	5080010548-7	Bronze Bushing	2	119	6020390091-3	Block Tube - "Optional" (07000012)	1
84	5204010310-4	Fertilizer Shaft Hub	2	120	6020390092-1	Fixator Tube - "Optional" (300303005)	1
85	6020130104-4	Grease Fitting 1/4"	2	121	6020390093-0	Maintenance Tube	1
86	5024010374-2	Smooth Washer Ø36 X Ø52 X 1,50mm(Inox)	2	122	5136019654-6	Seed Box Lateral Support Plate 2870mm	1
87	5256010109-0	Gear 17 Teeth	2	123	5136019657-0	Fertilizer Conductor Support Plate 2870mm	1
*88	5092010420-4	Complete Pasture Seed Hopper For Plastic Box(SPDE-3000)	1	124	5208012788-0	Fertilizer And Seed Hopper SPDE/SPDET Plastic Box 3000(Conductor)	1
89	5150010015-3	Complete Fertilizer Telescopic Conductor	1				
90	6020050666-1	Conductor Telescopico (Ref.260 200 05)	1				
91	6020250483-6	Hose Ø38 X Ø50,8 X 220mm	1				
92	6020390844-2	Rubber Union Ø41 X Ø54 X 62mm	1				
93	6020010711-2	Clamp 57-76 Ribbon 13/14mm	1				
94	6020030672-7	Distributor Funnel 425mm	1				
95	6020010706-6	Clamp 044 X 057 X 14.5mm (Carbon Steel)	3				
96	5150010026-9	Fertilizer Telescopic Conductor W/Complete Extensor(SPD-E)	1				
97	5272010014-2	Stension Of Fertilizer/Seed Hose	1				
98	6020050666-1	Conductor Telescopico (Ref.260 200 05)	1				
99	6020250483-6	Hose Ø38 X Ø50,8 X 220mm	1				
100	6020030672-7	Distributor Funnel 425mm	1				
101	6020010711-2	Clamp 57-76 Ribbon 13/14mm	1				
102	6020010706-6	Clamp 044 X 057 X 14.5mm (Carbon Steel)	4				
103	6020390844-2	Rubber Union Ø41 X Ø54 X 62mm	1				
104	5150010131-1	Sedd Telescopic Conductor W/Complete Extensor(SPD-E)	1				
105	6020050666-1	Conductor Telescopico (Ref.260 200 05)	1				

• Seed and Fertilizer Hopper SPDE 4000/5000 W/Pasture Seed Hopper



Item quantities from 87 to 119 vary depending on the machine configuration.

The Fertilizer and Seed Deposit (124) is made up of all the parts listed in this list. However, when sold complete, Items 87 through 119 will not accompany you.

* Item 1 - See page 22
 * item 2 - See page 24
 * item 3 - See page 25

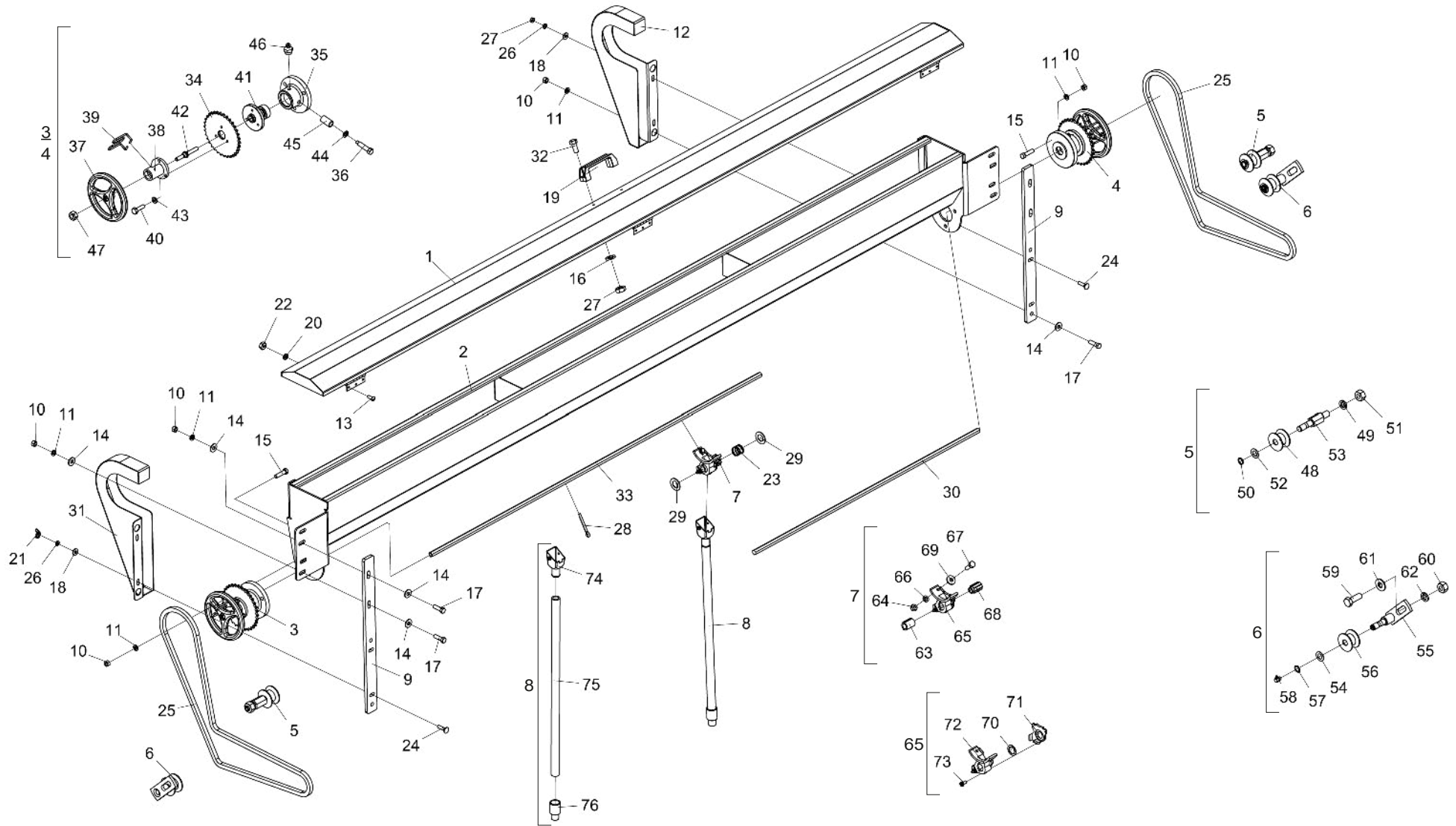
• Table Seed and Fertilizer Hopper SPDE 4000/5000 W/Pasture Seed Hopper

Item	Code	Product description				Item	Code	Product description			
			All	SPDE 4000	SPDE 5000				All	SPDE 4000	SPDE 5000
*1	5092010429-8	Complete Right Pasture Seed Hopper For Plastic Box(SPDE-4000)		1		28	6020310768-7	Brass Hexagonal Nut 3/8" 16F Unc Ch.9/16" H.8,50mm	14		
*1	5092010433-6	Complete Right Pasture Seed Hopper For Plastic Box(SPDE-5000)			1	29	6020010922-0	Nylon Belt Pmc 594 - 132 X 32 mm	4		
*1	5092010430-1	Complete Right Pasture Seed Hopper For Plastic Box(SPDE-4000)		1		30	6020010431-8	Plain Inox Washer Ø8,5 X Ø18 X 1,8mm		116	136
*1	5092010434-4	Complete Right Pasture Seed Hopper For Plastic Box(SPDE-5000)			1	31	6020311001-7	Hexagonal Head Bolt 1/4" X 5/8" 20F Unc1A Gr5 Rt	4		
*2	6020058605-3	Batcher Kit Fertisystem Auto-Lub Ap/2E Ng Me(Fertisystem 11040000)		10	12	32	5232010688-5	Fertilizer Shaft Sq.5/8" X 1780mm		2	
*2	6020051126-6	Batcher Kit Fertisystem Auto-Lub Ap/2D Ng Me(Fertisystem 11110000)		10	12	32	5232010689-3	Fertilizer Shaft Sq.5/8" X 2120mm			2
*3	6020072084-1	Pneumatic Batcher(Nardi-88002843)		20	24	33	5232011854-9	Right Shaft Seed SPDE/SPDET 4000		1	
4	6020071649-6	Plastic Seed With Cover (4000)		2		33	5232011856-5	Right Shaft Seed SPDE/SPDET 5000			1
4	6020071635-6	Plastic Seed With Cover (5000)			2	33	5232011855-7	Left Shaft Of Seed SPDE/SPDET 4000		1	
5	6020071647-0	Plastic Fertilizer Hopper With Cover (4000)		2		33	5232011857-3	Left Shaft Of Seed SPDE/SPDET 5000			1
5	6020071637-2	Plastic Fertilizer Hopper With Cover (5000)			2	34	6020310884-5	Hexagonal Head Bolt Inox 5/16" X 1.1/4" 18F Unc2A Rt		36	40
6	5484010158-7	Complete Right Seed Of Regulator	1			35	6020311004-1	Hexagonal Head Bolt 1/4" X 7/8" 20F Unc1A Gr5 Rt	2		
6	5484010159-5	Complete Left Seed Of Regulator	1			36	6020010435-0	Pressure Washer Inox 1/2" Media	6		
7	5204010383-0	Complete Seed Shaft Hub	1			37	6020310883-7	Hexagonal Head Bolt Inox 5/16" X 1" 18F Unc2A Rt		160	192
8	5204010311-2	Complete Fertilizer Shaft Hub	1			38	5538010600-0	Cover Of 44 X 119 X 1,21mm	2		
9	6020010436-9	Pressure Washer Inox 3/8" Media	14			39	6020050642-4	Container For Instruction Manual	1		
10	6020310766-0	Brass Hexagonal Nut 1/4" 20F Unc Ch.7/16" H.5,50mm		10		40	6020250252-3	Helical Spring Ø23 X Ø28 X 24mm		20	24
11	5530014871-8	Hopper Support Of Fertilizer Plastic Box		2		41	6020310894-2	Hexagonal Head Bolt Inox 5/16" X 1.1/2" 18F Unc2A Rt	8		
11	5530014808-4	Hopper Support Of Fertilizer Plastic Box			2	42	6020310767-9	Brass Hexagonal Nut 5/16" 18F Unc Ch.1/2" H.6,50mm		196	232
12	5024010428-5	Stainless Smooth Washer Of Ø10,50 X Ø40 X 2,50mm	20			43	5024010368-8	Smooth Washer With Square Hole 17 X Ø36 X 2,50mm		20	24
13	5024010075-1	Smooth Washer Ø10,3 X Ø25 X 2,00mm	32			44	5024010161-8	Smooth Washer Ø7 X Ø18 X 2,00mm	2		
14	6020310746-6	Hexagonal Nut 3/8" 16F Unc Gr5 Ch.9/16" Height 8,50mm	16			45	6020055341-4	Plastic Box For Seed Inteirica 4000 Without Cover		2	
15	6020010406-7	Pressure Washer 3/8" Media Industry	16			45	6020071636-4	Plastic Box For Seed Inteirica 5000 Without Cover			2
16	6020050101-5	Cotterpin 1/8" X 1"		44	52	46	6020390930-9	Plastic Cover Of Fertilizer/Seed Hopper 4000		2	
17	5530014872-6	Support Of Seed Hopper Plastic Box		2		46	6020390915-5	Plastic Cover Of Fertilizer/Seed Hopper 5000			2
17	5530014809-2	Support Of Seed Hopper Plastic Box			2	47	6020055339-2	Plastic Box For Fertilizer Inteirica 4000 Without Cover		2	
18	6020310754-7	Hexagonal Nut 1/2" 12F W Gr5 Ch.7/8" Height 12,00mm	6			47	6020071638-0	Plastic Box For Fertilizer Inteirica 5000 Without Cover			2
19	6020010402-4	Pressure Washer 1/4" Media Industry	10			48	6020390930-9	Plastic Cover Of Fertilizer/Seed Hopper 4000		2	
20	5530015951-5	Support Of Plastic Box W/10 Saidas		2		48	6020390915-5	Plastic Cover Of Fertilizer/Seed Hopper 5000			2
20	5530015952-3	Support Of Plastic Box W/12 Saidas			2	49	5530015695-8	Fixation Support Of Regulator	2		
21	6020310896-9	Hexagonal Head Bolt Inox 1/2" X 1.3/4" 12F W Rt	3			50	6020010402-4	Pressure Washer 1/4" Media Industry	6		
22	5024010083-2	Smooth Washer Sq.17 X Ø43 X 3,00mm		20	24	51	6020311000-9	Hexagonal Head Bolt 1/4" X 1/2" 20F Unc1A Gr5 Rt	2		
23	6020010434-2	Pressure Washer Inox 5/16" Media		196	232	52	6020310470-0	Heavy Elastic Pin Ø3 X 24mm	2		
24	6020310026-7	Hexagonal Head Bolt 3/8" X 1.1/4" 16F Unc1A Gr5 Rt	16			53	5232011663-5	Spring Shaft	2		
25	6020310813-6	Self-Locking Nut With Nylon 5/16" 18F Unc Gr5 Ch.1/2" H.9,00mm	8			54	5136015357-0	Plate Of Adjustment Of 50 A 0mm	2		
26	6020310885-3	Hexagonal Head Bolt Inox 1/2" X 1.1/4" 12F W Rt	3			55	5232011655-4	Seed Regulating Shaft	2		
27	6020310892-6	Hexagonal Head Bolt Inox 3/8" X 1.1/4" 16F Unc2A Rt	14			56	6020350887-8	Sphere Rigid Bearing 6002 Zz	2		

• Table Seed and Fertilizer Hopper SPDE 4000/5000 W/Pasture Seed Hopper

Item	Code	Product description	All	SPDE 4000	SPDE 5000	Item	Code	Product description	All	SPDE 4000	SPDE 5000
57	5530015696-6	Fixation Support Of Steering Wheel	2			93	6020390844-2	Rubber Union Ø41 X Ø54 X 62mm	1		
58	5080011452-4	Bushing Of Regulator Seed	2			94	5150010026-9	Fertilizer Telescopic Conductor W/Complete Extensor(SPD-E)	1		
59	6020310502-1	Heavy Elastic Pin Ø5 X 24mm	2			95	5272010014-2	Stension Of Fertilizer/Seed Hose	1		
60	6020312003-9	Allen Bolt S/C 5/16" X 1" 18F Unc1A Cl12.9 Rt (Phosphated)	2			96	6020050666-1	Conductor Telescopico (Ref.260 200 05)	1		
61	5464010386-0	Left Protection Of Seed Regulator	1			97	6020250483-6	Hose Ø38 X Ø50,8 X 220mm	1		
61	5464010385-2	Right Protection Of Seed Regulator	1			98	6020030672-7	Distributor Funnel 425mm	1		
62	5024010161-8	Smooth Washer Ø7 X Ø18 X 2,00mm	2			99	6020010711-2	Clamp 57-76 Ribbon 13/14mm	1		
63	5484010160-9	Seed Hopper Regulator	2			100	6020010706-6	Clamp 044 X 057 X 14.5mm (Carbon Steel)	4		
64	5080011496-6	Back Bushing	2			101	6020390844-2	Rubber Union Ø41 X Ø54 X 62mm	1		
65	6020010250-1	Retaining Oring	2			102	5150010131-1	Sedd Telescopic Conductor W/Complete Extensor(SPD-E)	1		
66	6020130100-1	Grease Fitting 1/4"	2			103	6020050666-1	Conductor Telescopico (Ref.260 200 05)	1		
67	5530015670-2	Support Of Regulating Arrow	2			104	6020250483-6	Hose Ø38 X Ø50,8 X 220mm	1		
68	6020311001-7	Hexagonal Head Bolt 1/4" X 5/8" 20F Unc1A Gr5 Rt	4			105	6020390844-2	Rubber Union Ø41 X Ø54 X 62mm	1		
69	6020011054-7	Retaining Ring I-032	2			106	6020010711-2	Clamp 57-76 Ribbon 13/14mm	1		
70	6020312084-5	Heavy Elastic Pin Ø5 X 18mm	4			107	5272010010-0	Extension Of Seed Hose	1		
71	6020310119-0	Bolt 3/16" X 1/2" 24F Unc1A Gr5 Rt	8			108	6020010706-6	Clamp 044 X 057 X 14.5mm (Carbon Steel)	4		
72	5232011662-7	Seed Regulating Shaft	2			109	6020030671-9	Distributor Funnel 470mm	1		
73	6020250577-8	Helical Spring Ø12,5 X Ø16,5 X 19mm	2			110	5150010130-3	Complete Seed Telescopic Conductor	1		
74	6020010400-8	Pressure Washer 3/16" Media Industry	8			111	6020030671-9	Distributor Funnel 470mm	1		
75	6020010307-9	Retaining Ring E-36	1			112	6020250484-4	Hose Ø38 X Ø38 X 220mm	1		
76	6020130104-4	Grease Fitting 1/4"	1			113	6020010711-2	Clamp 57-76 Ribbon 13/14mm	1		
77	5080010552-5	Bronze Bushing	1			114	6020050666-1	Conductor Telescopico (Ref.260 200 05)	1		
78	5204010384-8	Seed Shaft Hub	1			115	6020390844-2	Rubber Union Ø41 X Ø54 X 62mm	1		
79	5256010101-5	Triple Gear Of Transmission 17 Teeth	1			116	6020010706-6	Clamp 044 X 057 X 14.5mm (Carbon Steel)	3		
80	5024010374-2	Smooth Washer Ø36 X Ø52 X 1,50mm(Inox)	1			117	6020390091-3	Block Tube - "Optional" (07000012)	1		
81	5024010374-2	Smooth Washer Ø36 X Ø52 X 1,50mm(Inox)	1			118	6020390092-1	Fixator Tube - "Optional" (300303005)	1		
82	5204010310-4	Fertilizer Shaft Hub	1			119	6020390093-0	Maintenance Tube	1		
83	6020130104-4	Grease Fitting 1/4"	1			120	5136019652-0	Seed Box Lateral Support Plate 1700mm		2	
84	5080010548-7	Bronze Bushing	1			121	5136019655-4	Fertilizer Conductor Support Plate 1700mm			2
85	6020010307-9	Retaining Ring E-36	1			122	5208012815-0	Complete Left Fertilizer And Seed Hopper SPDE Plastic Box 4000		1	
86	5256010109-0	Gear 17 Teeth	1			122	5208012818-5	Complete Left Fertilizer And Seed Hopper SPDE Plastic Box 5000			1
87	5150010015-3	Complete Fertilizer Telescopic Conductor	1			123	5208012814-2	Complete Right Fertilizer And Seed Hopper SPDE Plastic Box 4000 With Hopper		1	
88	6020050666-1	Conductor Telescopico (Ref.260 200 05)	1			123	5208012817-7	Complete Right Fertilizer And Seed Hopper SPDE Plastic Box 5000 With Hopper			1
89	6020250483-6	Hose Ø38 X Ø50,8 X 220mm	1			124	5208012813-4	Complete Fertilizer And Seed Hopper SPDE Plastic Box 4000 With Hopper		1	
90	6020010711-2	Clamp 57-76 Ribbon 13/14mm	1			124	5208012816-9	Complete Fertilizer And Seed Hopper SPDE Plastic Box 5000 With Hopper			1
91	6020030672-7	Distributor Funnel 425mm	1								
92	6020010706-6	Clamp 044 X 057 X 14.5mm (Carbon Steel)	3								

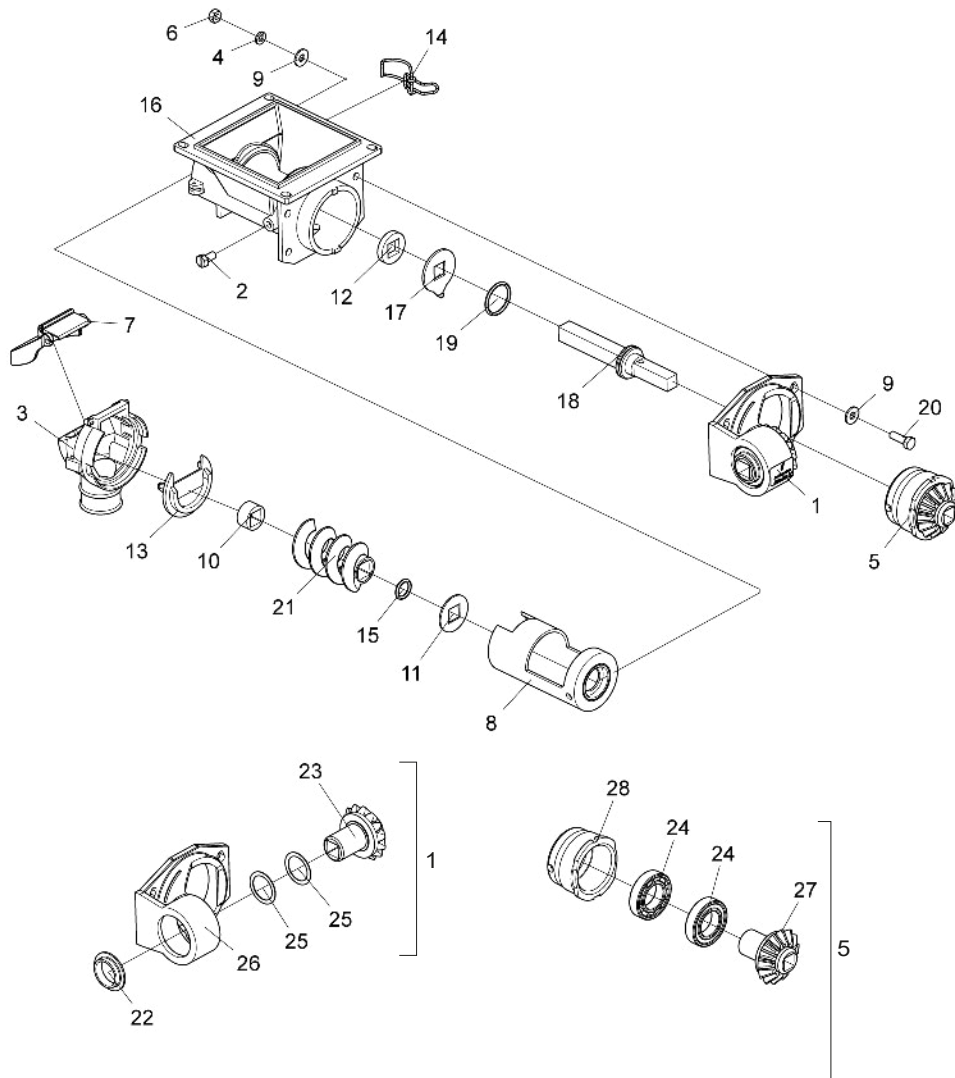
• Complete Pasture Seed Hopper



• Table Complete Pasture Seed Hopper

Item	Code	Product description	All	SPDE 3000			Item	Code	Product description	All	SPDE 3000		
				SPDE 3000	SPDE 4000	SPDE 5000					SPDE 3000	SPDE 4000	SPDE 5000
1	5538015963-4	Cover Of Pasture Seed Hopper (SPDE-3000)		1			36	6020311040-8	Hexagonal Head Bolt 7/16" X 2" 14F Unc1A Gr5 Rp	2			
1	5538015961-8	Pasture Seed Box Cover SPDE-4001			2		37	5484010008-4	Fertilizer / Pasture Seed Hopper Regulator	2			
1	5538015964-2	Cover Of Pasture Seed Hopper (SPDE-5000)				2	38	5484120001-5	Scale Regulator	2			
2	5092010680-0	Pasture Seed Hopper(SPDE-3000)		1			39	6020010991-3	Regulator Lock	2			
2	5092010674-6	Pasture Seed Hopper(SPDE-4000)			2		40	6020311004-1	Hexagonal Head Bolt 1/4" X 7/8" 20F Unc1A Gr5 Rt	6			
2	5092010681-9	Pasture Seed Hopper(SPDE-5000)				2	41	5204010553-0	Hub W/Hexagonal Hole	2			
3	5484010182-0	Complete Left Regulator	1				42	5296010009-3	Regulator Spindle Of Shaft (Csf)	2			
4	5484010181-1	Complete Right Regulator	1				43	6020010402-4	Pressure Washer 1/4" Media Industry	6			
5	5268010202-3	Complete Chain Stretcher	2				44	6020010408-3	Pressure Washer 7/16" Media Industry	2			
6	5268010135-3	Complete Chain Stretcher	2				45	5080020229-6	Bushing Of Ø14 X Ø19 X 33mm	2			
7	5092100006-2	Complete Seed Distributor Box		16	20	24	46	6020130108-7	Grease Fitting 1/8"	2			
8	5052030025-0	Complete Funnel Of Pasture Seed Hopper		16	20	24	47	6020310746-6	Hexagonal Nut 3/8" 16F Unc Gr5 Ch.9/16" Height 8,50mm	2			
9	5136014248-9	Fixation Plate Of Pasture Seed Hopper	2				48	6020350849-5	Stretcher Pulley	2			
10	6020310746-6	Hexagonal Nut 3/8" 16F Unc Gr5 Ch.9/16" Height 8,50mm		14	22	22	49	6020010412-1	Pressure Washer 5/8" Media Industry	2			
11	6020010406-7	Pressure Washer 3/8" Media Industry		14	22	22	50	6020010252-8	Retaining Oring	2			
12	5106010103-9	Right Protector Cover	1				51	6020310760-1	Hexagonal Nut 5/8" 11F Unc Gr5 Ch.1.1/16" Height 15,00mm	2			
13	6020310119-0	Bolt 3/16" X 1/2" 24F Unc1A Gr5 Rt		9	12	18	52	5024010059-0	Smooth Washer Ø16,5 X Ø29 X 1,21mm	2			
14	5024010075-1	Smooth Washer Ø10,3 X Ø25 X 2,00mm	12				53	5232010472-6	Stretcher Shaft Sla 2500	2			
15	6020311029-7	Hexagonal Head Bolt 3/8" X 1.1/2" 16F Unc1A Gr5 Rt	6				54	5024010059-0	Smooth Washer Ø16,5 X Ø29 X 1,21mm	2			
16	6020010434-2	Pressure Washer Inox 5/16" Media	2				55	5268010132-9	Spare Chain Stretcher	2			
17	6020310026-7	Hexagonal Head Bolt 3/8" X 1.1/4" 16F Unc1A Gr5 Rt	8				56	6020350849-5	Stretcher Pulley	2			
18	5024010073-5	Smooth Washer Ø8,5 X Ø20 X 2,00mm	4				57	6020010252-8	Retaining Oring	2			
19	6020010922-0	Nylon Belt Pmc 594 - 132 X 32 mm	1				58	6020130112-5	Grease Fitting 1/8"	2			
20	6020010400-8	Pressure Washer 3/16" Media Industry		9	12	18	59	6020310179-4	Hexagonal Head Bolt 5/8" X 1.3/4" 11F Unc1A Gr5 Rt	2			
21	6020030102-4	Nut Ø5/16" 18F Unc		2			60	6020310760-1	Hexagonal Nut 5/8" 11F Unc Gr5 Ch.1.1/16" Height 15,00mm	2			
22	6020310740-7	Hexagonal Nut 3/16" 24F Unc Gr5 Ch.3/8" Height 4,50mm		9	12	18	61	5024010239-8	Smooth Washer Ø16,5 X Ø37 X 3,00mm	2			
23	6020250350-3	Helical Spring Ø16 X Ø18 X 16mm		16	20	24	62	6020010412-1	Pressure Washer 5/8" Media Industry	2			
24	6020312017-9	French Head Bolt 5/16" X 1.1/4" 18F Unc1A Gr2 Rp	4				63	6020030082-6	Rotor Bushing		16	20	24
25	6020055107-1	Chain (Asa 40) 136 Links + Reduction	2				64	6020310742-3	Hexagonal Nut 1/4" 20F Unc Gr5 Ch.7/16" Height 5,50mm		32	40	48
26	6020010404-0	Pressure Washer 5/16" Media Industry	4				65	6020050420-0	Seed Distributor Box		16	20	24
27	6020310744-0	Hexagonal Nut 5/16" 18F Unc Gr5 Ch.1/2" Height 6,50mm	4				66	6020010402-4	Pressure Washer 1/4" Media Industry		32	40	48
28	6020050101-5	Cotterpin 1/8" X 1"		32	40	48	67	6020311002-5	Hexagonal Head Bolt 1/4" X 3/4" 20F Unc1A Gr2 Rt		32	40	48
29	5024100001-7	Smooth Washer With Hexagonal Hole 13,5 X Ø25 X 1,21mm		32	40	48	68	6020350771-5	Rotor Of Seed Distributor Hopper		16	20	24
30	5232010787-3	Left Hexagonal Shaft 1/2" - Pasture Seed Hopper (SPDE 3000)		1			69	5024010161-8	Smooth Washer Ø7 X Ø18 X 2,00mm		32	40	48
31	5106010104-7	Left Protector Cover	1				70	6020050419-7	Seed Distributor Box		16	20	24
32	6020310882-9	Hexagonal Head Bolt Inox 5/16" X 3/4" 18F Unc2A Rt	2				71	6020390416-1	Cover Of Seed Distributor Cover		16	20	24
33	5232010788-1	Right Hexagonal Shaft 1/2" - Pasture Seed Hopper (SPDE 3000)		1			72	5024010132-4	Smooth Washer Ø20 X Ø32 X 1,50mm W/Hole		16	20	24
33	5232010750-4	Hexagonal Shaft 1/2" - Pasture Seed Hopper (SPD-E 4000)			2		73	6020312404-2	Bolt Ø6,5 X Ø3,2 X 9,5mm		48	60	72
33	5232010786-5	Hexagonal Shaft 1/2" - Pasture Seed Hopper (SPDE 5000)				2	74	6020030205-5	Plastic Funnel Of Pasture Seed		16	20	24
34	5256010487-1	Gear 34 Teeths (Ø25,5mm)	2				75	5372050007-4	Hose Ø5/8" X Ø27,5 X 600mm		16	20	24
35	5204060009-4	Large Left Hub	1				76	5080011802-3	Technyl Bushing 50mm		16	20	24
35	5204060007-8	Large Right Hub	1										

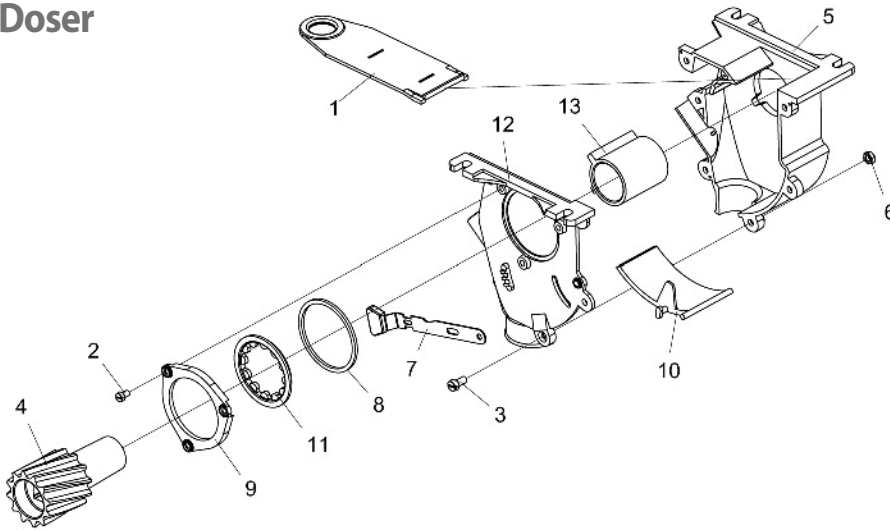
• FertiSystem Doser Kit



Item	Code	Product description	All	Right	Left
1	6020250494-1	Auto Lub Bearing Set (07100008)	1		
2	6020310295-2	Screw Cab. Hexagonal with Slot M8 x 1.25 x 16mm CL 5.8 Rt	2		
3	6020030302-7	Nozzle (07000002)	1		
4	6020010404-0	Pressure Washer 5/16" Medium Industrial	4		
5	5528011026-3	Internal Bearing System for FertiSystem Conductors (450451001)	1		
6	6020310454-8	Hex Nut M8 x 1.25 MA CL8 Ch.13mm Height.6.5mm	4		
7	6020051127-4	NG Nozzle Cap Set	1		
8	6020350530-5	Coating (07000003)	1		
9	5024010073-5	Flat Washer Ø8.5 x Ø20 x 2.00mm	8		
10	6020010230-7	Ring Lock (07000016)	1		
11	6020010503-9	Square Stainless Steel Washer (070000060)	1		
12	6020110095-2	Felt (07000023)	1		
13	6020390067-0	Cross Cap (07000017)	1		
14	6020310680-0	Clip 0.70mm	2		
15	6020010008-8	O'ring 2-209 N3006-90 NBR (Ø17.04 x Ø3.53mm)	1		
16	6020051128-2	Main Body (07000001)	1		
17	6020010504-7	Washer Cleaner (07000006)	1		
18	6020090686-4	NG Axis(FertiSystem 200201038)	1		
19	6020010041-0	Ring 2-219 N3009-90NBR (32.92)	1		
20	6020310561-7	Screw Cab. Hexagonal M8 x 1.25 x 25mm CL 5.8 Rt	4		
*21	6020370040-0	S 2" Right Worm (FertiSystem 300305002) - Right Worm Thread		1	
*21	6020370258-5	S 2" Left Worm (FertiSystem 300305004) - Left Worm Thread			1
22	6020310604-4	Bearing Protector (07000071)	1		
23	6020310580-3	Pinion Drive (07000072)	1		
24	6020350006-0	Deep Groove Ball Bearing 6006 2RS Ddu	2		
25	5024010243-6	Ø30 x Ø39 x 0.91mm Washer	2		
26	6020250417-8	Auto-Lub Bearing (07000070)	1		
27	6020310909-4	Drive Pinion (FertiSystem 200201036)	1		
28	6020030074-5	Bushing (07000014)	1		

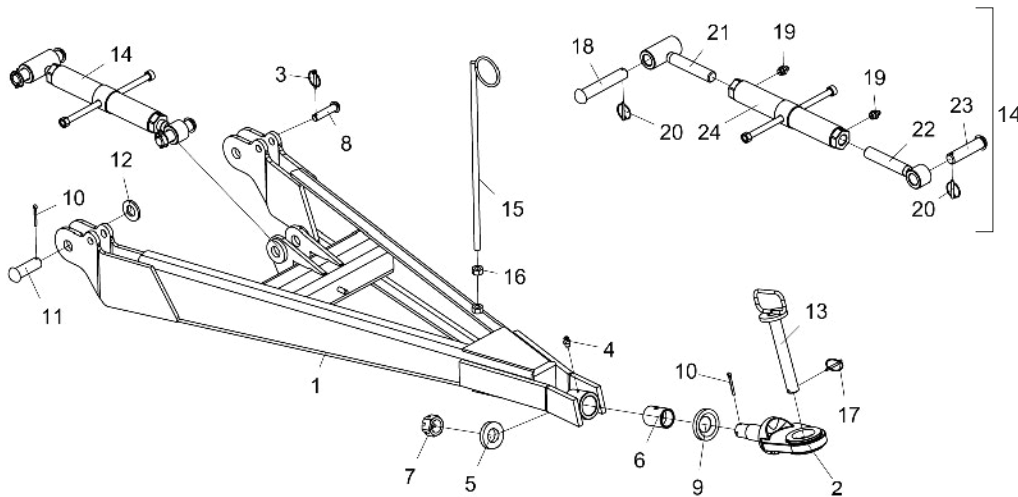
***Note:** The **SPDEXP 3000** has 1 Fertilizer and Seed Tank and uses only the worm screw on the right side (Right-hand worm screw - Item 20).
 The **SPDEXP 4000 and 5000** have 1 Fertilizer and Seed Tank on the right side and 1 Fertilizer and Seed Tank on the left side. Both use the worm screw, with half on the right side (Right-hand worm screw - Item 20) and the other half on the left side (Left-hand worm screw - Item 20). The quantity depends on the number of Dosing Sets.

• Seed Doser



Item	Code	Product description	All
1	6020395083-0	Cover Fertipo (200201023)	1
2	6020317401-5	Bolt M5 X 8mm (Amp 851.013)	3
3	6020317400-7	Bolt M6 X 12mm (Amp 851.009)	6
4	6020350963-7	Rotor (Amp 851.014)	1
5	6020058580-4	Protection Cap (2000) (04.40.00)	1
6	6020317402-3	Hexagonal Nut M6(Amp 851.007)	6
7	6020350965-3	Regulator Of Seed Input (Nardi-11760447)	1
8	6020015940-6	Plastic Ring 0185mm X 5,00mm	1
9	6020058578-2	Protection Cap (2000) (04.40.00)	1
10	6020350964-5	Coat (300304002)	1
11	6020015941-4	Cleaning Washer (200201004)	1
12	6020058579-0	Protection Cap (2000) (04.40.00)	1
13	6020030788-0	Bushing (200201010)	1

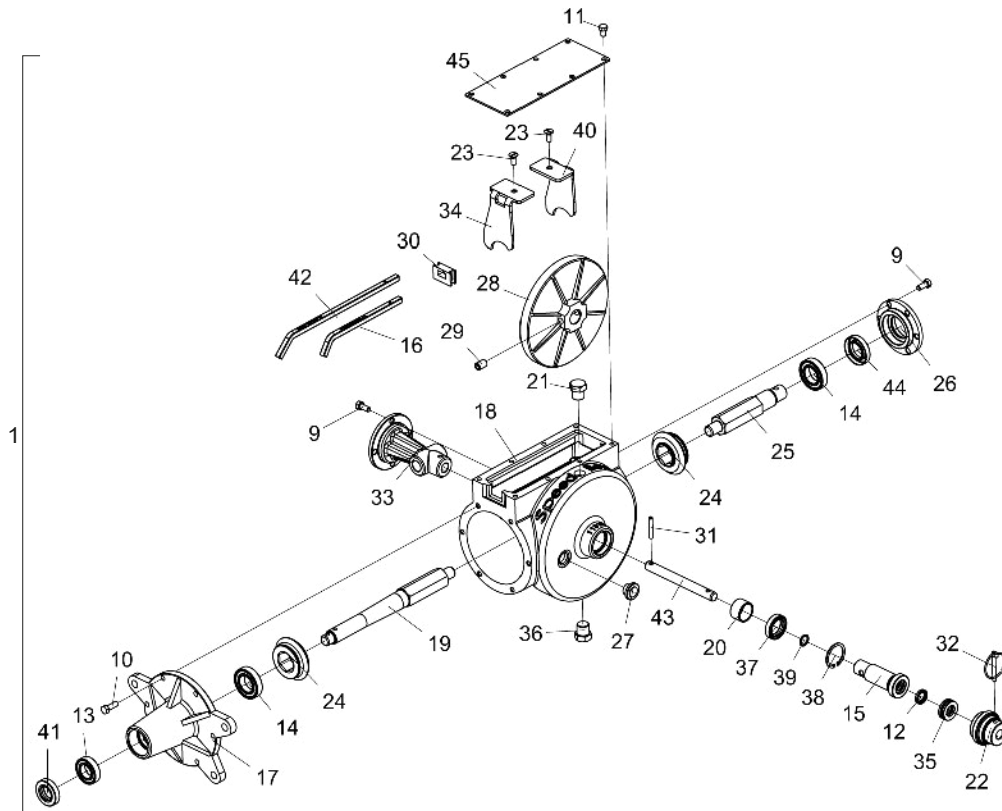
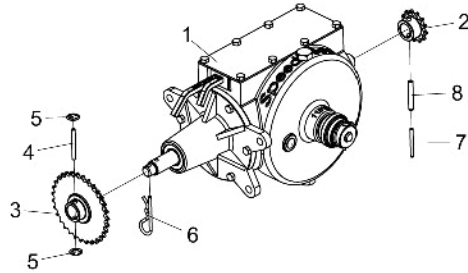
• Complete Hitch Drawbar



The Hitch Drawbar (25) consists of all parts listed in this list. However, when sold complete, Items 13 through 24 will not catch you.

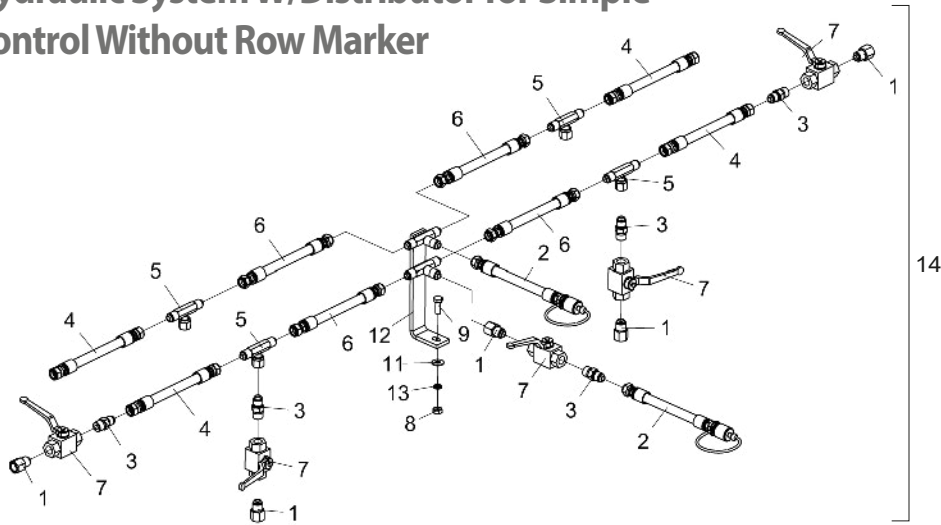
Item	Code	Product description	All
1	5084010121-2	Hitch Drawbar	1
2	5332010018-2	Spare Hitch Shackle	1
3	6020390301-7	Lock Ø5,75 X 50mm	2
4	6020130100-1	Grease Fitting 1/4"	1
5	5024010332-7	Smooth Washer Ø39 X Ø75 X 12,50mm	1
6	5080010151-1	Bushing Of Drawbar	1
7	6020310857-8	Nut 1.1/2" 12F Unf Gr2 Ch.2" Height 30,00mm	1
8	6020310598-6	French Head Pin Ø3/4" X 75mm	2
9	5024010327-0	Smooth Washer Ø45 X Ø87 X 12,00mm	1
10	6020050116-3	Cotterpin 1/4" X 2"	3
11	6020310665-6	French Head Pin Ø30,53 X 85mm	2
12	5024010249-5	Smooth Washer Ø32 X Ø60 X 6,30mm(Galvanised)	2
13	5432010025-1	Pin Ø1.1/4" X 215mm	1
14	5484030005-9	Complete Regulator	1
15	5530060020-3	Hoses Support	1
16	6020310760-1	Hexagonal Nut 5/8" 11F Unc Gr5 Ch.1.1/16" Height 15,00mm	1
17	6020390301-7	Lock Ø5,75 X 50mm	1
18	5432120117-5	French Head Pin Ø30,53 X 165mm	1
19	6020130108-7	Grease Fitting 1/8"	2
20	6020390301-7	Lock Ø5,75 X 50mm	2
21	5484040005-3	Left Thread Regulator	1
22	5484040003-7	Regulator R.1.1/4"Unc X 197mm With Bushing	1
23	5432120029-2	French Head Pin Ø30,53 X 113mm	1
24	5484010014-9	Draw Bar Regulator	1
25	5084040099-6	Complete Hitch Drawbar	1

• Speed Box



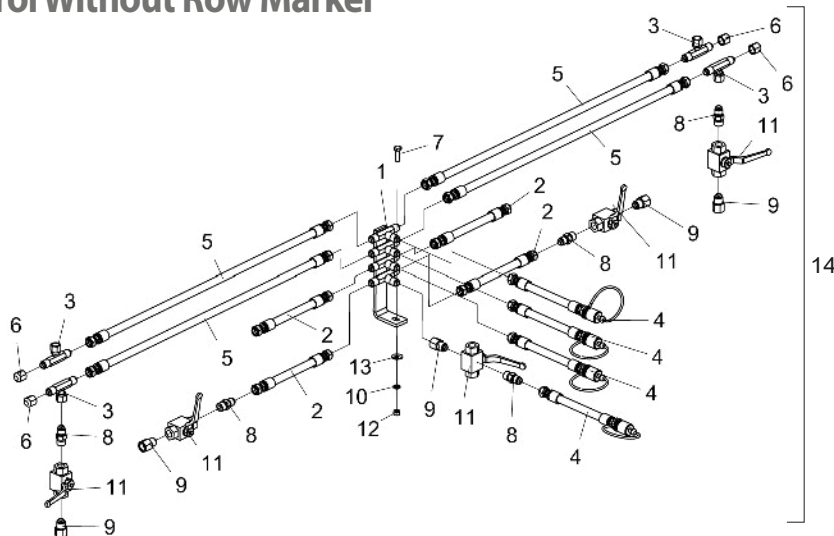
Item	Code	Product description	All
1	5092010205-8	Complete Right Speed Box	1
1	5092010206-6	Complete Left Speed Box	1
2	5256010509-6	Gear 13 Teeth	1
3	5256010054-0	Complete Gear 20/31 Teeth	1
4	5432010040-5	Fuse Pin Ø6 X 60mm	1
5	6020010326-5	Retaining Oring	2
6	6020390308-4	Lock Nma - Type "R" Ø4,5 X 80mm	1
7	6020317571-2	Pino Elástico Pesado Ø5 X 40mm (Seeger Reno 701.142)	1
8	6020310508-0	Heavy Elastic Pin Ø8 X 40mm	1
9	6020312020-9	Hexagonal Head Bolt 5/16" X 3/4" 18F Unc1A Gr5 Rt	10
10	6020310038-0	Hexagonal Head Bolt 5/16" X 1" 18F Unc1A Gr5 Rt	6
11	6020311020-3	Hexagonal Head Bolt 5/16" X 1/2" 18F Unc1A Gr2 Rt	8
12	6020350274-8	Retainer Ø15,90 X Ø25,40 X 4,50mm	1
13	6020350075-3	Bearing 6005 2Rs	1
14	6020350006-0	Bearing 6006 2Rs Ddu	2
15	5080010232-1	Bushing Of Ø25 X 100mm	1
16	5260040007-0	Numerical Regulating Shaft De 200mm	1
17	5538010093-1	Cover Of Reduction Box	1
18	5112010011-8	Right Gear Box Housing	1
18	5112010012-6	Left Gear Box Housing	1
19	5232010695-8	Small Shaft Of Gear Box	1
20	5080020804-9	Bushing Of Ø30 X Ø35 X 21mm	1
21	5081010013-0	Plug R. 1/2 X 14 Npt W/Hole 3,00mm	1
22	5468010024-4	Shaft Handle	1
23	6020312502-2	Bolt N°10 X 1/2" 24F Unc2A Gr2 Rt	2
24	6020010999-9	Gear 21 Teeth	2
25	5232120183-0	Small Shaft Of Gear Box	1
26	5538010086-9	Front Cover Of Reduction Box	1
27	6020430193-2	Oil Display	1
28	5256060005-4	Crown Of Reduction Box	1
29	6020317426-0	Allen Bolt S/C 1/2" X 3/4" 12F W Cl12.9 Rt (Phosphated)	2
30	6020030015-0	Protection Speed Box Protection With Hole	1
31	6020310506-4	Heavy Elastic Pin Ø6 X 40mm	1
32	6020390301-7	Lock Ø5,75 X 50mm	1
33	5538010085-0	Rear Cover	1
34	5554010015-1	Left Support	1
35	6020350086-9	Bearing Skf 51203	1
36	5081010012-2	Plug R. 1/2 X 14 Npt	1
37	6020350275-6	Retainer Ø30,00 X Ø43,00 X 9,50mm	1
38	6020010305-2	Retaining Ring I-42	1
39	6020010022-3	O' Ring 2-114 N3006-90Nbr (15,54)	1
40	5554010017-8	Right Support	1
41	6020350204-7	Retainer Ø25,00 X Ø47,00 X 10,00mm	1
42	5260040006-1	Alphabetical Regulating Shaft De 299mm	1
43	5232020209-4	Shaft Ø5/8" X 157mm	1
44	6020350245-4	Retainer Ø30,00 X Ø52,00 X 10,00mm	1
45	5538060003-9	Cover Of 100 X 250 X 3,00mm	1

• Hydraulic System W/Distributor for Simple Control Without Row Marker



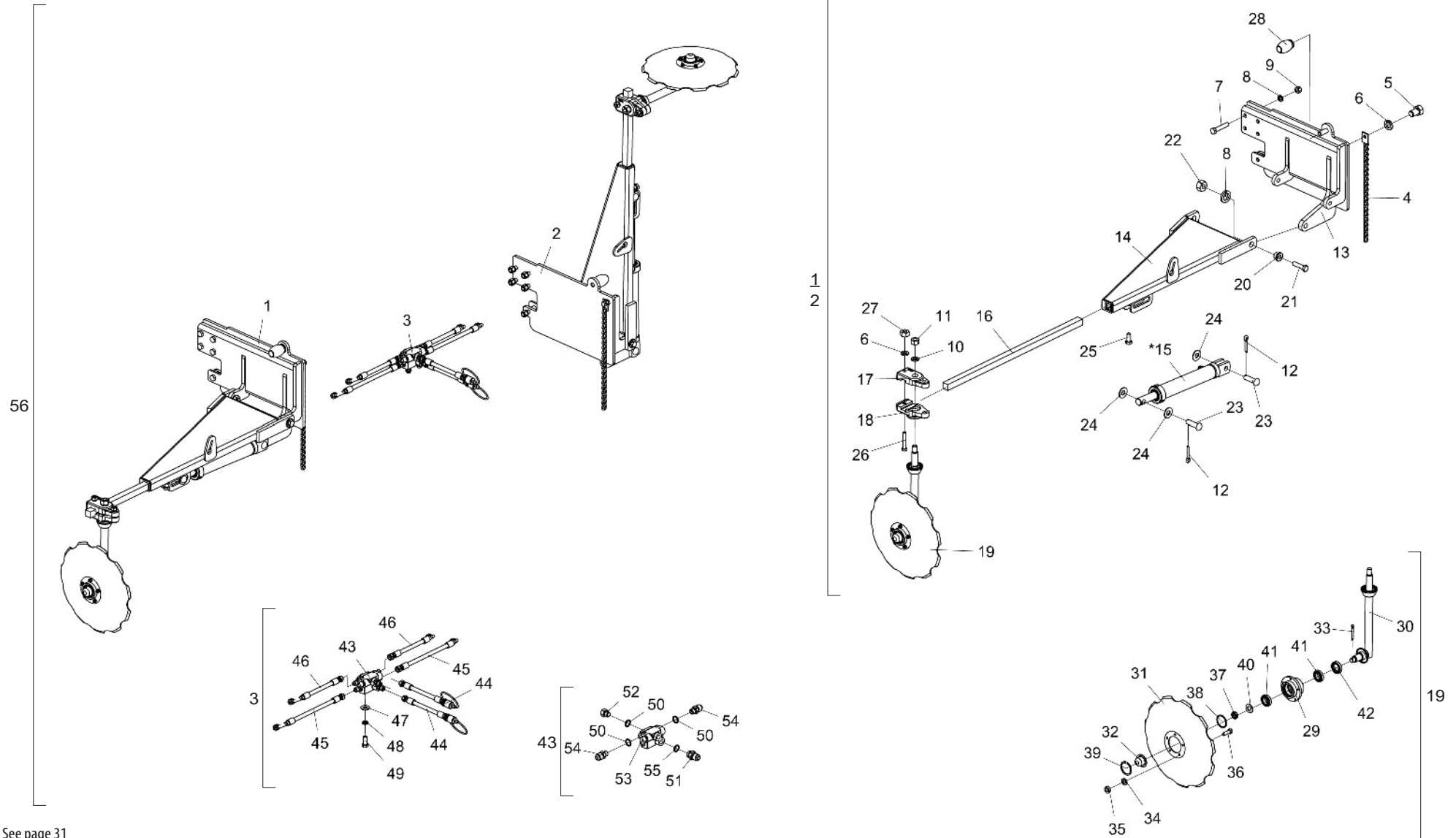
Item	Code	Product description	All	SPDE 3000	SPDE 4000	SPDE 5000
1	5412010104-0	Nipple R.1/2"(G) X 3/4" Unf X 45mm With Hexagonal 1"	5			
2	5372011092-6	Hose Ø3/8" X 3000mm With 1Trg And 1Trf With Male Quickly Coupling	2			
3	5412010099-0	Nipple R.1/2" Npt X R.3/4" Unf X 50mm With Hexagonal 7/8"	5			
4	6020250990-0	High Pressure Hydraulic Hose 3/8" X 1100mm With 2Trg (Sae 100R2 At - P.T.4800Psi)		4		
4	6020250989-7	High Pressure Hydraulic Hose 3/8" X 1400mm With 2Trg (Sae 100R2 At - P.T.4800Psi)			4	
4	6020250793-2	High Pressure Hydraulic Hose 3/8" X 1500mm With 2Trg (Sae 100R2 At - P.T.4800Psi)				2
5	5412050020-4	"T" Nipple	4			
6	6020250794-0	High Pressure Hydraulic Hose 3/8" X 800mm With 2Trg (Sae 100R2 At - P.T.4800Psi)		4		
6	6020250974-9	High Pressure Hydraulic Hose 3/8" X 950mm With 2Trg (Sae 100R2 At - P.T.4800Psi)			4	
6	6020250989-7	High Pressure Hydraulic Hose 3/8" X 1400mm With 2Trg (Sae 100R2 At - P.T.4800Psi)				2
7	6020430194-0	Sphere Valve 1/2" Npt Stauff:Bbvm20080200M / Gemels 1111Ab-	5			
8	6020310822-5	Hexagonal Nut M10 X 1,50 Ma Cl8 Ch.17mm H.8,00mm	1			
9	6020317475-9	Hexagonal Head Bolt M10 X 1,50 X 30mm Cl8.8 Rt	1			
11	5024010075-1	Smooth Washer Ø10,3 X Ø25 X 2,00mm	1			
12	5224030020-6	Oil Distributor	1			
13	6020010394-0	Pressure Washer M10 Media	1			
14	5528010568-5	Hydraulic System SPDE-3000 W/Distributor For Simple Command (Without Marker De		1		
14	5528010567-7	Hydraulic System SPDE-4000 W/Distributor For Simple Command (Without Marker De			1	
14	5528010566-9	Hydraulic System SPDE-5000 W/Distributor For Simple Command (Without Marker De				1

• Hydraulic System W/Distributor for Double Control Without Row Marker



Item	Code	Product description	All	SPDE 3000	SPDE 4000	SPDE 5000
1	5224010100-9	Oil Distributor	1			
2	6020250981-1	High Pressure Hydraulic Hose 3/8" X 2000mm With 2Trg (Sae 100R2 At - P.T.4800Psi)		4		
2	6020251449-1	High Pressure Hydraulic Hose 3/8" X 2300mm With 2Trg(Sae 100R2 At - P.T.4800Psi)			4	
2	6020250988-9	High Pressure Hydraulic Hose 3/8" X 2600mm With 2Trg (Sae 100R2 At - P.T.4800Psi)				4
3	5412050020-4	"T" Nipple	4			
4	5372011092-6	Hose Ø3/8" X 3000mm With 1Trg And 1Trf With Male Quickly Coupling	4			
5	6020250978-1	High Pressure Hydraulic Hose 3/8" X 1300mm With 2Trg (Sae 100R2 At - P.T.4800Psi)	2			
6	5538010158-0	Cover Of Nipple R.3/4" Unf	4			
7	6020310026-7	Hexagonal Head Bolt 3/8" X 1.1/4" 16F Unc1A Gr5 Rt			1	
7	6020317475-9	Hexagonal Head Bolt M10 X 1,50 X 30mm Cl8.8 Rt		1		1
8	5412010099-0	Nipple R.1/2" Npt X R.3/4" Unf X 50mm With Hexagonal 7/8"	5			
9	5412010104-0	Nipple R.1/2"(G) X 3/4" Unf X 45mm With Hexagonal 1"	5			
10	6020010406-7	Pressure Washer 3/8" Media Industry			1	
11	6020010394-0	Pressure Washer M10 Media		1		1
11	6020430194-0	Sphere Valve 1/2" Npt Stauff:Bbvm20080200M / Gemels 1111Ab-	5			
12	6020310746-6	Hexagonal Nut 3/8" 16F Unc Gr5 Ch.9/16" Height 8,50mm			1	
12	6020310822-5	Hexagonal Nut M10 X 1,50 Ma Cl8 Ch.17mm H.8,00mm		1		1
13	5024010075-1	Smooth Washer Ø10,3 X Ø25 X 2,00mm	1			
14	5528010260-0	Hydraulic System SPDE-3000 W/Distributor For Double Command (Without Marker De		1		
14	5528010261-9	Hydraulic System SPDE-4000 W/Distributor For Double Command (Without Marker De			1	
14	5528010259-7	Hydraulic System SPDE-5000 W/Distributor For Double Command (Without Marker De				1

• Complete Row Marker System

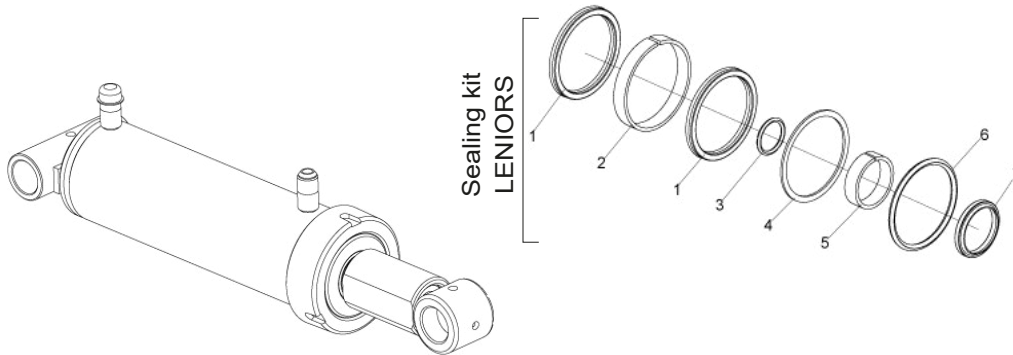


* Item 15 - See page 31

• Table Complete Row Marker System

Item	Code	Product description				Item	Code	Product description			
			All	SPDE 3000	SPDE 4000				SPDE 5000	All	SPDE 3000
1	5386010183-8	Complete Row Marker SPE 4000	1			30	5386010142-0	Row Marker	1		
2	5386010182-0	Complete Row Marker SPE 4000	1			31	2759366580-7	Concave Notched Disc Blade 16 X 3,50 Hc Rd 74mm + 5H Rd 8,7mm R=48mm Single Bevel	2		
3	5528010395-0	Hydraulic System SPDE-3000 Double Command W/Row Marker		1		32	6020050649-1	Hub Cap (External Diameter 57,00mm)	2		
3	5528010396-8	Hydraulic System SPDE-4000 Double Command W/Row Marker			1	33	6020050101-5	Cotterpin 1/8" X 1"	2		
3	5528010397-6	Hydraulic System SPDE-5000 Double Command W/Row Marker				34	6020010404-0	Pressure Washer 5/16" Media Industry	10		
4	5192010046-9	Complete Chain De 05,5mm 510mm Cpl	2			35	6020310744-0	Hexagonal Nut 5/16" 18F Unc Gr5 Ch.1/2" Height 6,50mm	10		
5	6020311046-7	Hexagonal Head Bolt 1/2" X 3/4" 12F W Gr2 Rt	2			36	6020310038-0	Hexagonal Head Bolt 5/16" X 1" 18F Unc1A Gr5 Rt	10		
6	6020010410-5	Pressure Washer 1/2" Media Industry	6			37	6020310797-0	Nut 3/4" 16F Unf Gr5 Ch.1.1/16" Height 13,00mm	2		
7	6020310438-6	Hexagonal Head Bolt 5/8" X 3.1/4" 18F Unf1A Gr5 Rp	10			38	6020010130-0	Gascket Ring 050 X 057 X 2mm	2		
8	6020010412-1	Pressure Washer 5/8" Media Industry	14			39	6020011025-3	Retaining Ring I-058	2		
9	6020310762-8	Hexagonal Nut 5/8" 18F Unf Gr5 Ch.15/16" Height 15,00mm	10			40	5024010258-4	Smooth Washer Ø20 X Ø38,5 X 3,00mm	2		
10	6020010414-8	Pressure Washer 3/4" Media Industry	2			41	6020350077-0	Bearing 44610/49	4		
11	6020310770-9	Hexagonal Nut 3/4" 10F Unc Gr5 Ch.1.7/32" Height 18,50mm	2			42	6020350268-3	Retainer Ø36,00 X Ø52,00 X 11,00mm	2		
12	6020050104-0	Cotterpin 3/16" X 1"	4			43	5224010016-9	Complete Oil Distributor With 6 Nipples	1		
13	5530011931-9	Fixation Right Support Of Marker	1			44	5372011092-6	Hose Ø3/8" X 3000mm With 1Trg And 1Trf With Male Quickly Coupling	2		
13	5530011932-7	Fixation Left Support Of Marker	1			45	6020251001-1	High Pressure Hydraulic Hose 3/8" X 2500mm With 1Tcg And 1Trg (Sae 100R2 At -		2	
14	5036010094-1	Left Row Marker Of Front Marker	1			45	6020250918-8	High Pressure Hydraulic Hose 3/8" X 3200mm With 1Tcg 90° And 1Trg (Sae 100R2 At -			2
14	5036010095-0	Right Row Marker Of Front Marker	1			45	6020250875-0	High Pressure Hydraulic Hose 3/8" X 3500mm With 1Tcg 90° And 1Trg (Sae 100R2 At -			2
*15	6020055698-7	Hydraulic Cylinder "O.D" Ø1.1/4" X Ø2" X 246mm(Course) X 499mm(Closed)	2			46	6020250999-4	High Pressure Hydraulic Hose 3/8" X 2300mm With 1Tcg And 1Trg (Sae 100R2 At -		2	
16	5040080019-4	Square Bar De 1.1/8" X 830mm	2			46	6020250971-4	High Pressure Hydraulic Hose 3/8" X 3000mm With 1Tcg And 1Trg (Sae 100R2 At -			2
17	6010601393-7	Lower Rosette Of Row Marker	2			46	6020250918-8	High Pressure Hydraulic Hose 3/8" X 3200mm With 1Tcg 90° And 1Trg (Sae 100R2 At -			2
18	6010601392-9	Upper Rosette Of Row Marker	2			47	5024010075-1	Smooth Washer Ø10,3 X Ø25 X 2,00mm	2		
19	5386010138-2	Row Marker	1			48	6020010406-7	Pressure Washer 3/8" Media Industry	2		
19	5386010139-0	Row Marker	1			49	6020311029-7	Hex Head Screw 3/8" 1.1/2" 16F Unc 1 Gr5 Rt	2		
20	5080010407-3	Bushing Of Ø16,2 X Ø1.1/2" X 24mm	4			49	6020310026-7	Hexagonal Head Bolt 3/8" X 1.1/4" 16F Unc1A Gr5 Rt			2
21	6020311075-0	Hexagonal Head Bolt 5/8" X 2.1/4" 11F Unc1A Gr5 Rp	4			50	6020010025-8	O' Ring 6-091 N3006-90Nbr(Ø12,00 X 2,00mm)	6		
22	6020310760-1	Hexagonal Nut 5/8" 11F Unc Gr5 Ch.1.1/16" Height 15,00mm	4			51	5412010035-4	Nipple R.3/4" Unf X R.3/4" Unf X 38mm With Hexagonal 7/8"	2		
23	6020310597-8	Pin Ø3/4" X 62mm	4			52	5081010006-8	Plug Ø9/16" X 22mm	2		
24	5024010142-1	Smooth Washer Ø20,3 X Ø46,5 X 3,00mm	6			53	6020430196-7	Valve Block	1		
25	6020312082-9	Hexagonal Head Bolt 5/8" X 1.1/2" 11F Unc1A Gr5 Rt	2			54	5412010008-7	Nipple R.3/4" Unf X R.9/16" Unf X 40mm With Hexagonal 3/4"	4		
26	6020311057-2	Hexagonal Head Bolt 1/2" X 3" 12F W Gr5 Rp	2			55	6020010022-3	O' Ring 2-114 N3006-90Nbr (15,54)	2		
27	6020310754-7	Hexagonal Nut 1/2" 12F W Gr5 Ch.7/8" Height 12,00mm	4			56	5528010392-5	Row Marker System For SPDE-3000		1	
28	6020030170-9	Absorver Shock	2			56	5528010393-3	Row Marker System W/Baliza For SPDE-4000			1
29	5204010247-7	Disc Hub	2			56	5528010394-1	Row Marker System W/Baliza For SPDE-5000			1
30	5386010141-2	Row Marker	1								

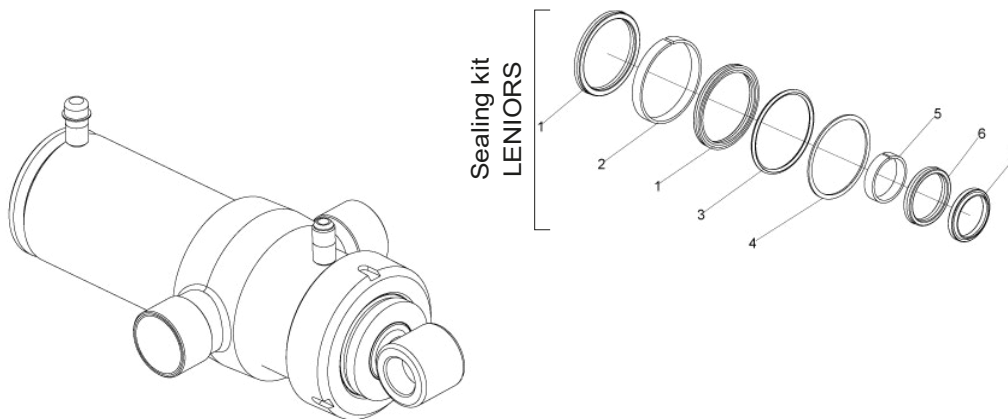
• Central Articulation Cylinder of Rows



Item	Code	Product description	All
Sealing kit LENIORS			
1	J010510	Gasket Std 2500-2750	2
2		Guide Ring W2-3250-500	1
3		O' Ring 2-126	1
4		Parback 8-336	1
5		Guide Ring 6W8-1875-495	1
6		O' Ring 2-336 (Ø72,39 x Ø5,33mm)	1
7		Cleaner D-1625	1
-	6020190198-0	Repair Kit Leniors J010510	1

For replacement parts, please check the cylinder liner
- The Baldan code, the manufacturer's code and name
and the date of manufacture.

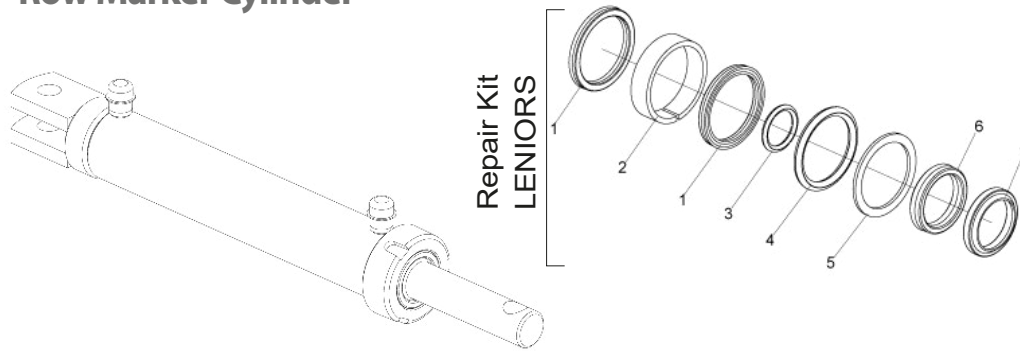
• Lateral Articulation Cylinder of Wheel



Item	Code	Product description	All
Sealing kit LENIORS			
1	J007389	Gasket Std 3120-3375 (Ø3.3/8" x Ø 4" x 5/16")	2
2		Guide Ring W2-4000-500 (Ø4" x 1/2")	1
3		O' Ring 2-342 (Ø91,44 x Ø5,33mm)	1
4		Parback 8-342	1
5		Guide Ring W2-2250-500 (Ø2.1/4" x 1/2")	1
6		Gasket B 2500-2000-375B (Ø2xØ2-1-2x3-8)	1
7		Cleaner D-2000	1
-	6020190207-2	Repair Kit Leniors J007389	1

For replacement parts, please check the cylinder liner
- The Baldan code, the manufacturer's code and name
and the date of manufacture.

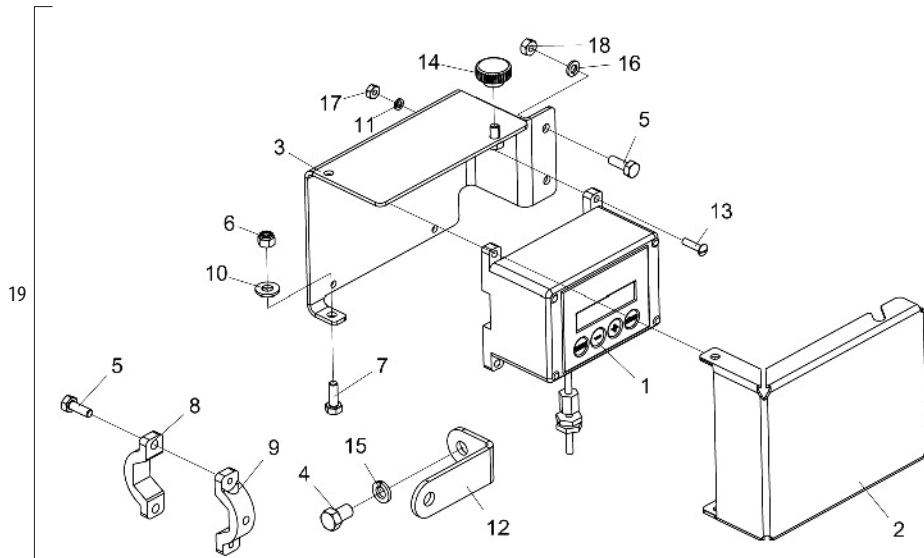
• Row Marker Cylinder



Item	Code	Product description	All
Sealing kit LENIORS			
1	J003567	Gasket Std 1870-1625	2
2		Guide Ring W2-2000-500 (Ø2" x 1/2")	1
3		O' Ring 2-126 (Ø21,82 x Ø3,53mm)	1
4		O' Ring 2-326 (Ø40,64 x Ø5,33mm)	1
5		Parback 8-326	1
6		Gasket B 1870-1250-312B	1
7		Cleaner D-1250 (1-1/4" x 1-5/8" x 3/16")	1
-	6020190184-0	Repair Kit Leniors J003567	1

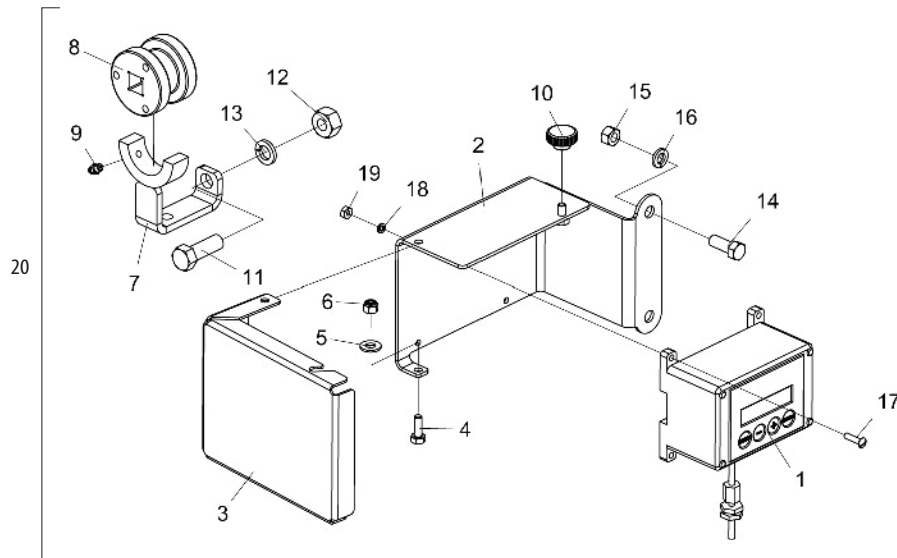
For replacement parts, please check the cylinder liner
- The Baldan code, the manufacturer's code and name
and the date of manufacture.

• Digital Hectarimeter SPDE 3000/4000 (Optional)



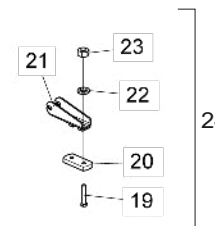
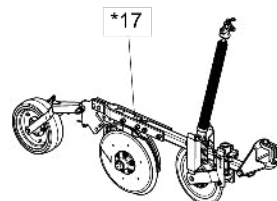
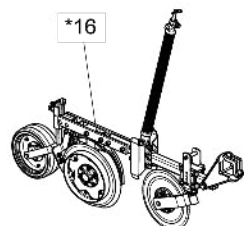
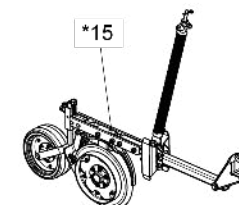
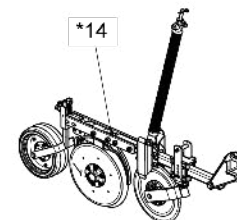
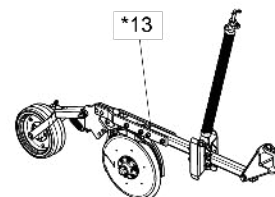
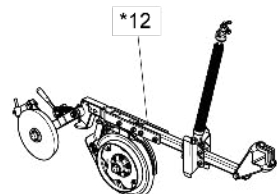
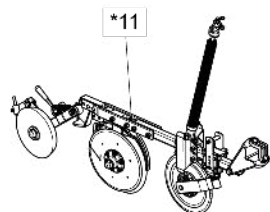
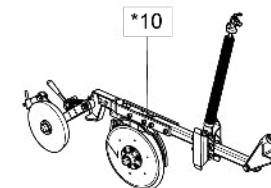
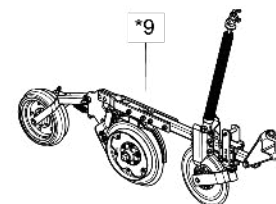
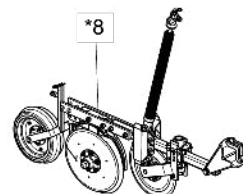
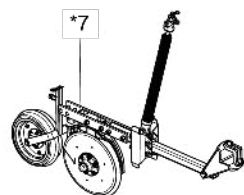
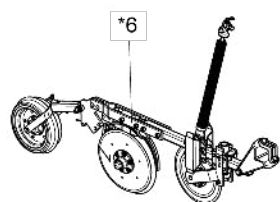
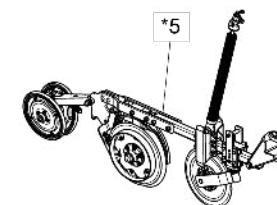
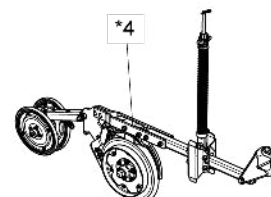
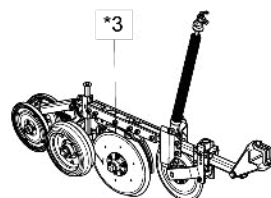
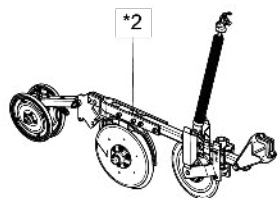
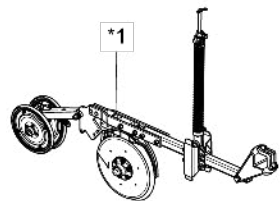
Item	Code	Product description	All
1	6020050605-0	Hectarimeter Ht1000 C/Painel Digital Enalta	1
2	5464010047-0	Compteur Protection Of Digital Hectarimeter	1
3	5530011852-5	Complete Support	1
4	6020311030-0	Hexagonal Head Bolt 3/8" X 5/8" 16F Unc1A Gr2 Rt	1
5	6020310016-0	Hexagonal Head Bolt 1/4" X 3/4" 20F Unc1A Gr5 Rt	4
6	6020310839-0	Self-Locking Nut With Nylon 1/4" 20F Unc Gr5 Ch.7/16" H.8,00mm	2
7	6020311002-5	Hexagonal Head Bolt 1/4" X 3/4" 20F Unc1A Gr2 Rt	2
8	5460010003-6	Shaft Clamp Hexagonal 1.1/4" With Hole Passante	1
9	5460010001-0	Shaft Clamp Hexagonal 1.1/4" Hole With Thread	1
10	6020010431-8	Plain Inox Washer Ø8,5 X Ø18 X 1,8mm	2
11	6020010400-8	Pressure Washer 3/16" Media Industry	4
12	5530011851-7	Hectarimeter Sensor Support	1
13	6020310122-0	Bolt 3/16" X 3/4" 24F Unc1A Gr5 Rt	4
14	6020250455-0	Female Aperto Button Thermoplastic (Thread 1/4" Unc)	1
15	6020010406-7	Pressure Washer 3/8" Media Industry	1
16	6020010402-4	Pressure Washer 1/4" Media Industry	2
17	6020310740-7	Hexagonal Nut 3/16" 24F Unc Gr5 Ch.3/8" Height 4,50mm	4
18	6020310742-3	Hexagonal Nut 1/4" 20F Unc Gr5 Ch.7/16" Height 5,50mm	2
19	5154010006-7	Complete Digital Hectarimeter For SPDE-SPDET	1

• Digital Hectarimeter SPDE 5000 (Optional)



Item	Code	Product description	All
1	6020050605-0	Hectarimeter Ht1000 C/Painel Digital Enalta	1
2	5136012383-2	Large Plate Of Counter Of Hectares	1
3	5464010047-0	Compteur Protection Of Digital Hectarimeter	1
4	6020311002-5	Hexagonal Head Bolt 1/4" X 3/4" 20F Unc1A Gr2 Rt	2
5	6020010431-8	Plain Inox Washer Ø8,5 X Ø18 X 1,8mm	2
6	6020310839-0	Self-Locking Nut With Nylon 1/4" 20F Unc Gr5 Ch.7/16" H.8,00mm	2
7	5530011756-1	Support Of Spool (5000)	1
8	5120010032-1	Spool	1
9	6020130100-1	Grease Fitting 1/4"	1
10	6020250455-0	Female Aperto Button Thermoplastic (Thread 1/4" Unc)	1
11	6020310886-1	Hexagonal Head Bolt Inox 1/2" X 1.1/2" 12F W Rt	1
12	6020310754-7	Hexagonal Nut 1/2" 12F W Gr5 Ch.7/8" Height 12,00mm	1
13	6020010435-0	Pressure Washer 1/2" Media	1
14	6020310054-2	Hexagonal Head Bolt 3/8" X 1" 16F Unc1A Gr2 Rt	2
15	6020310768-7	Brass Hexagonal Nut 3/8" 16F Unc Ch.9/16" H.8,50mm	2
16	6020010406-7	Pressure Washer 3/8" Media Industry	2
17	6020310122-0	Bolt 3/16" X 3/4" 24F Unc1A Gr5 Rt	4
18	6020010400-8	Pressure Washer 3/16" Media Industry	4
19	6020310740-7	Hexagonal Nut 3/16" 24F Unc Gr5 Ch.3/8" Height 4,50mm	4
20	5154010003-2	Complete Digital Hectarimeter For SPD-Sd 5000	1

• Planting Rows



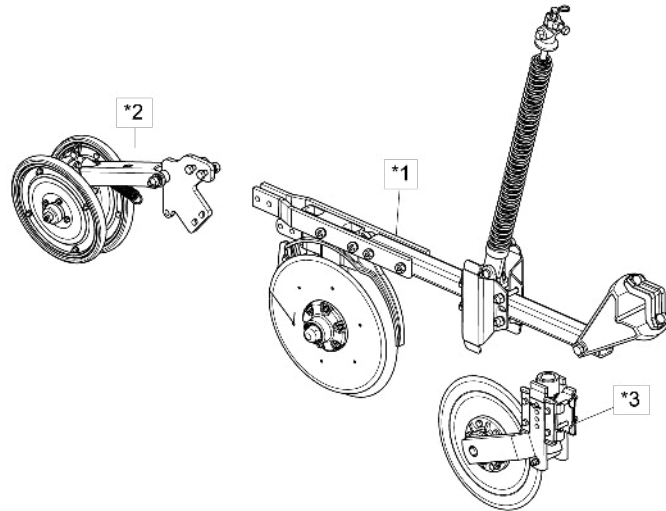
- * Item 1,2 and 3 - See page 35
- * Item 4 and 5 - See page 36
- * Item 6 and 9 - See page 36
- * Item 7 and 8 - See page 37
- * Item 10,11 and 12 - See page 38
- * Item 13 - See page 37
- * Item 14,15 and 16 - See page 39
- * Item 17 - See page 40
- * Item 18 - See page 41

Item quantities from 19 to 24 refer to 1 (one) Row.

• Table Planting Rows

Item	Code	Product description	All	Item	Code	Product description	All
*1	2517010519-5	Large Right Row Unit Without Cutting Disc W/Compactor "V" Wheel (Special)	1	*10	2517010633-7	Small Left Row Unit Without Coulter Disc W/Iron Compactor Wheel(Special)	1
*1	2517010521-7	Small Right Row Unit Without Cutting Disc W/Compactor "V" Wheel (Special)	1	*11	2517010803-8	Large Right Row Unit W/Rippled Coulter Disc W/Iron Compactor Wheel(Special)	1
*1	2517010520-9	Large Left Row Unit Without Cutting Disc W/Compactor "V" Wheel (Special)	1	*11	2517010801-1	Small Right Row Unit W/Rippled Coulter Disc W/Iron Compactor Wheel(Special)	1
*1	2517010518-7	Small Left Row Unit Without Cutting Disc W/Compactor "V" Wheel (Special)	1	*11	2517010802-0	Large Left Row Unit W/Rippled Coulter Disc W/Iron Compactor Wheel(Special)	1
*2	2517010515-2	Large Right Row Unit W/Cutting Rippled Disc W/Compactor "V" Wheel	1	*11	2517010800-3	Small Left Row Unit W/Rippled Coulter Disc W/Iron Compactor Wheel(Special)	1
*2	2517010517-9	Small Right Row Unit W/Cutting Rippled Disc W/Compactor "V" Wheel	1	*12	2517012177-8	Large Right Row Unit Without Cutting Disc W/Iron Compactor Wheel W/Frieze Of 40mm(Special)	1
*2	2517010516-0	Large Left Row Unit W/Cutting Rippled Disc W/Compactor "V" Wheel	1	*12	2517012175-1	Small Right Row Unit Without Cutting Disc W/Iron Compactor Wheel W/Frieze Of 40mm(Special)	1
*2	2517010514-4	Small Left Row Unit W/Cutting Rippled Disc W/Compactor "V" Wheel	1	*12	2517012176-0	Large Left Row Unit Without Cutting Disc W/Iron Compactor Wheel W/Frieze Of 40mm(Special)	1
*3	2517010843-7	Large Right Row Unit W/Cutting Rippled Disc W/Compactor "V" Wheel	1	*12	2517012174-3	Small Left Row Unit Without Cutting Disc W/Iron Compactor Wheel W/Frieze Of 40mm(Special)	1
*3	2517010841-0	Small Right Row Unit W/Cutting Rippled Disc W/Compactor "V" Wheel	1	*13	2517010627-2	Large Right Row Unit Without Cutting Disc W/Concave Compactor Wheel(Special)	1
*3	2517010842-9	Large Left Row Unit W/Cutting Rippled Disc W/Compactor "V" Wheel	1	*13	2517010629-9	Small Right Row Unit Without Cutting Disc W/Concave Compactor Wheel(Special)	1
*3	2517010840-2	Small Left Row Unit W/Cutting Rippled Disc W/Compactor "V" Wheel	1	*13	2517010628-0	Large Left Row Unit Without Cutting Disc W/Concave Compactor Wheel	1
*4	2517012165-4	Large Right Row Unit Without Cutting Disc W/"V" Compactor Wheel W/Frieze Of 40mm(Special)	1	*13	2517010626-4	Small Left Row Unit Without Cutting Disc W/Concave Compactor Wheel	1
*4	2517012163-8	Small Right Row Unit Without Cutting Disc W/"V" Compactor Wheel W/Frieze Of 40mm(Special)	1	*14	2517012569-2	Larger Right Line W/ Splined Cutting Disc W/ Concave Compactor Wheel W/ Regulator Support (Spd-E)	1
*4	2517012164-6	Large Left Row Unit Without Cutting Disc W/"V" Compactor Wheel W/Frieze Of 40mm(Special)	1	*14	2517012566-8	Smaller Right Line W/ Splined Cutting Disc W/ Concave Compactor Wheel W/ Regulator Support (Spd-E)	1
*4	2517012162-0	Small Left Row Unit Without Cutting Disc W/"V" Compactor Wheel W/Frieze Of 40mm(Special)	1	*14	2517012568-4	Larger Left Line W/ Splined Cutting Disc W/ Concave Compactor Wheel W/ Regulator Support (Spd-E)	1
*5	2517012169-7	Large Right Row Unit W/Rippled Cutting Disc W/"V" Compactor Wheel W/Frieze Of 40mm(Special)	1	*14	2517012567-6	Smaller Left Line W/ Splined Cutting Disc W/ Concave Compactor Wheel W/ Regulator Support (Spd-E)	1
*5	2517012167-0	Small Right Row Unit W/Rippled Cutting Disc W/"V" Compactor Wheel W/Frieze Of 40mm(Special)	1	*15	2517012576-5	Larger Direct Line W/o Cutting Disc w/ Concave Compactor Wheel w/ Regulator Support w/ 40mm Rim (Spd-E)	1
*5	2517012168-9	Large Left Row Unit W/Rippled Cutting Disc W/"V" Compactor Wheel W/Frieze Of 40mm(Special)	1	*15	2517012574-9	Right Smaller Line W/o Cutting Disc W/ Concave Compactor Wheel W/ Regulator Support W/ 40mm Fringe (Spd-E)	1
*5	2517012166-2	Small Left Row Unit W/Rippled Cutting Disc W/"V" Compactor Wheel W/Frieze Of 40mm(Special)	1	*15	2517012577-3	Larger Left Line w/o Cutting Disc W/Concave Compactor Wheel W/Regulator Support W/40mm Fringe (Spd-E)	1
*6	2517010835-6	Large Right Row Unit W/Cutting Rippled Disc W/Convex Compactor Wheel	1	*15	2517012575-7	Smaller Left Line w/o Cutting Disc W/Concave Compactor Wheel W/Regulator Support W/40mm Fringe (Spd-E)	1
*6	2517010833-0	Small Right Row Unit W/Cutting Rippled Disc W/Convex Compactor Wheel	1	*16	2517012579-0	Larger Direct Line W/ Splined Cutting Disc W/ Compact Wheel. Concave C/Sup. Regulator With 40mm Fringe (Spd-E)	1
*6	2517010834-8	Large Left Row Unit W/Cutting Rippled Disc W/Convex Compactor Wheel	1	*16	2517012578-1	Lower Right Line With Splined Cutting Disc With Compact Wheel. Concave C/Sup. Regulator With 40mm Fringe (Spd-E)	1
*6	2517010832-1	Small Left Row Unit W/Cutting Rippled Disc W/ Compactor Wheel	1	*16	2517012581-1	Larger Left Line W/ Splined Cutting Disc W/ Compact Wheel. Concave C/Sup. Regulator With 40mm Fringe (Spd-E)	1
*7	2517012157-3	Large Right Row Unit W/Rippled Cutting Disc W/Convex Compactor Wheel W/Frieze Of 40mm(Special)	1	*16	2517012580-3	Smaller Left Line W/ Splined Cutting Disc W/ Compact Wheel. Concave C/Sup. Regulator With 40mm Fringe (Spd-E)	1
*7	2517012155-7	Small Right Row Unit W/Rippled Cutting Disc W/Convex Compactor Wheel W/Frieze Of 40mm(Special)	1	*17	2517010839-9	Large Right Row Unit W/Cutting Rippled Disc W/Smooth Compactor Wheel	1
*7	2517012156-5	Large Left Row Unit W/Rippled Cutting Disc W/Convex Compactor Wheel W/Frieze Of 40mm(Special)	1	*17	2517010837-2	Small Right Row Unit W/Cutting Rippled Disc W/Smooth Compactor Wheel	1
*7	2517012154-9	Small Left Row Unit W/Rippled Cutting Disc W/Convex Compactor Wheel W/Frieze Of 40mm(Special)	1	*17	2517010838-0	Large Left Row Unit W/Cutting Rippled Disc W/Smooth Compactor Wheel	1
*8	2517010855-0	Large Right Row Unit Without Cutting Disc W/Convex Compactor Wheel W/Support	1	*17	2517010836-4	Small Left Row Unit W/Cutting Rippled Disc W/Smooth Compactor Wheel	1
*8	2517010853-4	Small Right Row Unit Without Cutting Disc W/Convex Compactor Wheel W/Support	1	*18	5124010108-8	Row Of Concave Depth Wheel With Regulating Support	1
*8	2517010854-2	Large Left Row Unit Without Cutting Disc W/Convex Compactor Wheel	1	19	6020317552-6	Hexagonal Head Bolt M12 X 1,75 X 80mm Cl8.8 Rt	2
*8	2517010852-6	Small Left Row Unit Without Cutting Disc W/Convex Compactor Wheel	1	20	5136020501-4	Plate Of 2" X 5/8" X 115mm	1
*9	2517010851-8	Large Right Row Unit W/Cutting Rippled Disc W/Convex Compactor Wheel	1	21	5530420141-9	Complete Support Of Spring	1
*9	2517010849-6	Small Right Row Unit W/Cutting Rippled Disc W/Convex Compactor Wheel	1	22	6020010395-8	Pressure Washer M12 Media	2
*9	2517010850-0	Large Left Row Unit W/Cutting Rippled Disc W/Convex Compactor Wheel	1	23	6020310820-9	Hexagonal Nut M12 X 1,75 Ma Cl8 Ch.19mm H.10,00mm	2
*9	2517010848-8	Small Left Row Unit W/Cutting Rippled Disc W/ Compactor Wheel	1	24	5530011783-9	Support Of Spring Rod	1
*10	2517010634-5	Large Right Row Unit Without Coulter Disc W/Iron Compactor Wheel(Special)	1				
*10	2517010636-1	Small Right Row Unit Without Coulter Disc W/Iron Compactor Wheel(Special)	1				
*10	2517010635-3	Large Left Row Unit Without Coulter Disc W/Iron Compactor Wheel(Special)	1				

• Row with Compactor Wheel in "V" Special



* Item 1A - See page 42

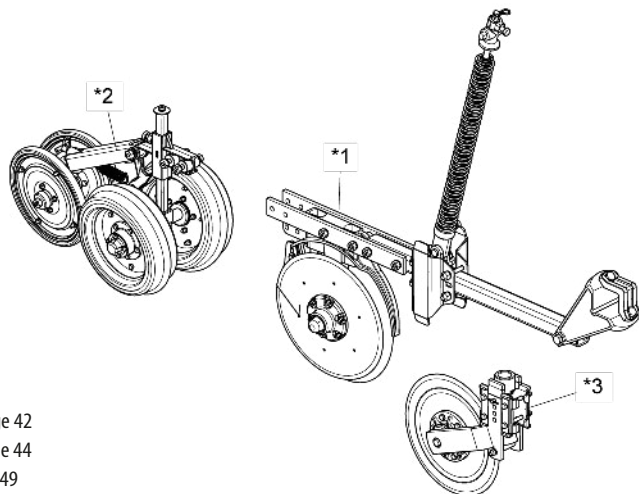
* Item 1B - See page 44

* Item 2 - See page 46

* Item 3 - See page 47

Item	Code	Product description	All									
			Smaller Left Without Cutting Disc	Smaller Left W/ Splined Cutting Disc	Smaller Right Without Cutting Disc	Lower Right W/Splined Cutting Disc	Larger Left Without Cutting Disc	Larger Left W/ Splined Cutting Disc	Larger Right Without Cutting Disc	Larger Right W/ Splined Cutting Disc		
*1A	2517010622-1	Small Left Row Unit (SPD Special)		1	1							
*1A	2517010623-0	Small Right Row Unit (SPD Special)				1	1					
*1B	2517010624-8	Large Left Row Unit (SPD Special)						1	1			
*1B	2517010625-6	Large Right Row Unit (SPD Special)								1	1	
*2	5124010381-1	Complete Row Of Compaction Wheel Type "V" (SPD)	1									
*3	5124010337-4	Complete Row Of Rippled Coulter Disc Blade			1	1		1			1	1

• Row with Compactor Wheel in "V" Triple



* Item 1A - See page 42

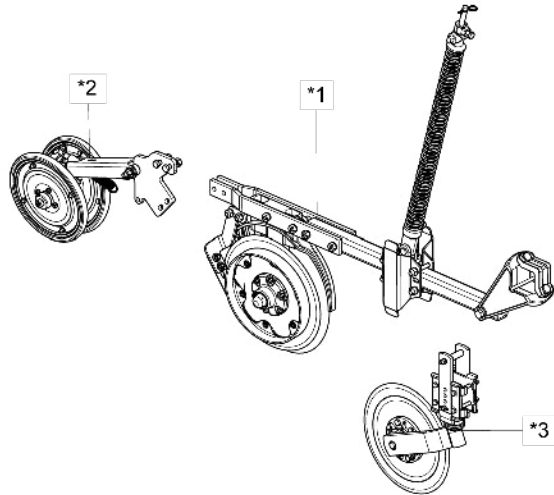
* Item 1B - See page 44

* Item 2 - See page 49

* Item 3 - See page 47

Item	Code	Product description	All			
			Smaller Left W/Splined Cutting Disc	Smaller Right W/Splined Cutting Disc	Larger Left W/ Splined Cutting Disc	Larger Right W/ Splined Cutting Disc
*1A	2517010844-5	Small Left Row Unit W/Straight Bar (SPD-E)			1	
*1A	2517010845-3	Small Right Row Unit W/Straight Bar (SPD-E)				1
*1B	2517010846-1	Large Left Row Unit W/Straight Bar (SPD-E)				1
*1B	2517010847-0	Large Right Row Unit W/Straight Bar (SPD-E)				1
*2	5124010414-1	Row Of Complete Depth Wheel And Wheel Type "V" (Excentric)			1	
*3	5124010337-4	Complete Row Of Rippled Coulter Disc Blade			1	

• Row W/ Compactor Wheel in "V" W/ 40mm Frieze (Special)



* Item 1A - See page 42

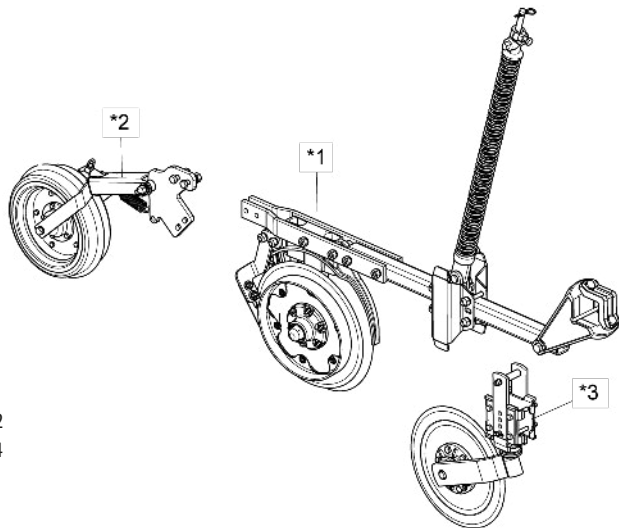
* Item 1B - See page 44

* Item 2 - See page 46

* Item 3 - See page 47

Item	Code	Product description	All	Smaller Left W/ Spined Cutting Disc	Smaller Left Without Cutting Disc	Smaller Right Without Cutting Disc	Smaller Right W/ Spined Cutting Disc	Larger Left W/ Spined Cutting Disc	Larger Left Without Cutting Disc	Larger Right Without Cutting Disc	Larger Right W/ Spined Cutting Disc
*1A	2517012292-8	Small Left Row Unit W/Frieze Of 40mm (SPD Special)		1	1						
*1A	2517012293-6	Small Right Row Unit W/Frieze Of 40mm (SPD Special)				1	1				
*1B	2517012294-4	Large Left Row Unit W/Frieze Of 40mm (SPD Special)						1	1		
*1B	2517012295-2	Large Right Row Unit W/Frieze Of 40mm (SPD Special)								1	1
*2	5124010381-1	Complete Row Of Compaction Wheel Type "V" (SPD)	1								
*3	5124010337-4	Complete Row Of Rippled Coulter Disc Blade		1			1	1			1

• Row with Convex Compactor Wheel (Special) and Convex Compactor Wheel w/ 40mm Frieze (Special)



* Item 1A - See page 42

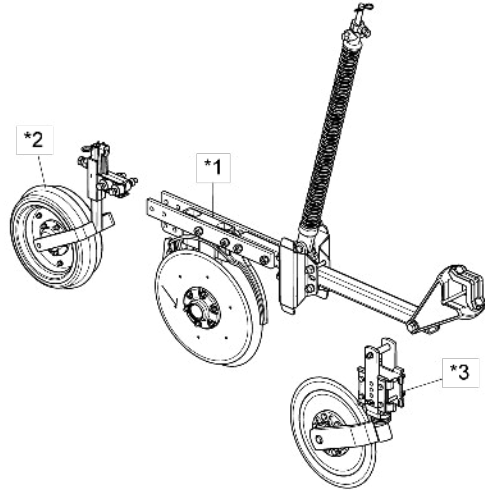
* Item 1B - See page 44

* Item 2 - See page 46

* Item 3 - See page 47

Item	Code	Product description	All	Smaller Left - Convex	Smaller Right - Convex	Larger Left - Convex	Larger Right - Convex	Smaller Left - Convex w/ 40mm Frieze	Smaller Right - Convex w/ 40mm Frieze	Larger Left - Convex With 40mm Frieze	Larger Right - Convex With 40mm Frieze
*1A	2517010622-1	Small Left Row Unit (SPD Special)		1							
*1A	2517010623-0	Small Right Row Unit (SPD Special)			1						
*1B	2517010624-8	Large Left Row Unit (SPD Special)				1					
*1B	2517010625-6	Large Right Row Unit (SPD Special)					1				
*1A	2517012292-8	Small Left Row Unit W/Frieze Of 40mm (SPD Special)						1			
*1A	2517012293-6	Small Right Row Unit W/Frieze Of 40mm (SPD Special)							1		
*1B	2517012294-4	Large Left Row Unit W/Frieze Of 40mm (SPD Special)								1	
*1B	2517012295-2	Large Right Row Unit W/Frieze Of 40mm (SPD Special)									1
*2	5124010379-0	Complete Row Of Convex Compaction Wheel (SPD)	1								
*3	5124010337-4	Complete Row Of Rippled Coulter Disc Blade	1								

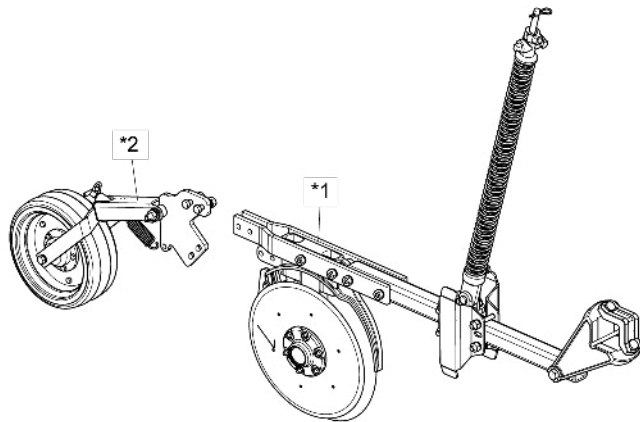
• Row W/ Convex Compactor Wheel With Regulator Support



- * Item 1A - See page 42
- * Item 1B - See page 44
- * Item 2 - See page 41
- * Item 3 - See page 47

Item	Code	Product description	All								
			Right Larger Without Cutting Disc	Smaller Right Without Cutting Disc	Larger Left Without Cutting Disc	Smaller Left Without Cutting Disc	Larger Right W/ Splined Cutting Disc	Smaller Right W/ Splined Cutting Disc	Larger Left W/ Splined Cutting Disc	Smaller Left W/ Splined Cutting Disc	
*1A	2517010844-5	Small Left Row Unit W/Straight Bar (SPD-E)				1					1
*1A	2517010845-3	Small Right Row Unit W/Straight Bar (SPD-E)		1					1		
*1B	2517010846-1	Large Left Row Unit W/Straight Bar (SPD-E)			1					1	
*1B	2517010847-0	Large Right Row Unit W/Straight Bar (SPD-E)	1					1			
*2	5124010109-6	Row Of Convex Depth Wheel With Regulating Support	1								
*3	5124010337-4	Complete Row Of Rippled Coulter Disc Blade						1	1	1	1

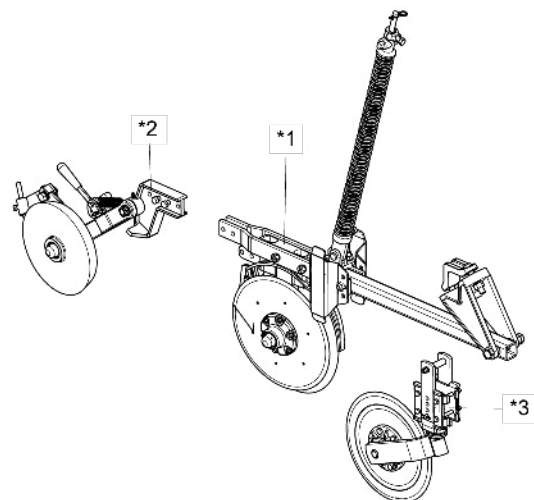
• Row Without Cutting Disc W/ Concave Compactor Wheel (Special)



- * Item 1A - See page 42
- * Item 1B - See page 44
- * Item 2 - See page 46

Item	Code	Product description	All							
			Right Larger Concave (Special)	Right Smaller Concave (Special)	Left Larger Concave (Special)	Left Smaller Concave (Special)				
*1A	2517010622-1	Small Left Row Unit (SPD Special)								1
*1A	2517010623-0	Small Right Row Unit (SPD Special)				1				
*1B	2517010624-8	Large Left Row Unit (SPD Special)						1		
*1B	2517010625-6	Large Right Row Unit (SPD Special)		1						
*2	5124010378-1	Complete Row Of Concave Compactation Wheel (SPD)		1						

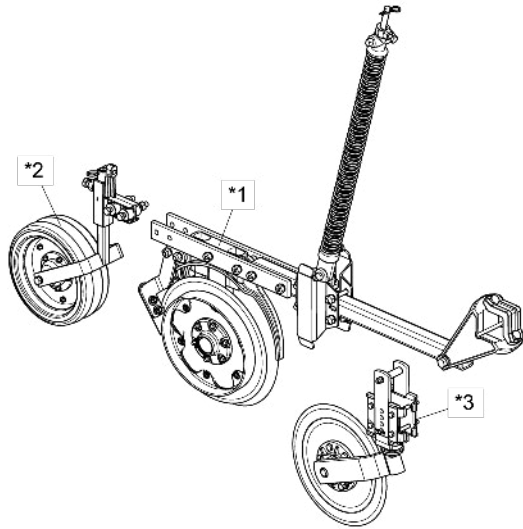
• Row with Iron Compactor Wheel (Special) and Iron Compactor Wheel With 40mm Frieze(Special)



Item	Code	Product description	All	Smaller Left Without Cutting Disc	Smaller Right Without Cutting Disc	Larger Left Without Cutting Disc	Larger Right Without Cutting Disc	Smaller Left W/ Splined Cutting Disc	Smaller Right W/ Splined Cutting Disc	Larger Left W/ Splined Cutting Disc	Larger Right W/ Splined Cutting Disc	Smaller Left Without Cutting Disc - With 40mm Frieze	Smaller Right Without Cutting Disc - With 40mm Frieze	Larger Left Without Cutting Disc - With 40mm Frieze	Larger Right Without Cutting Disc - With 40mm Frieze
*1A	2517010622-1	Small Left Row Unit (SPD Special)		1											
*1A	2517010623-0	Small Right Row Unit (SPD Special)			1			1							
*1B	2517010624-8	Large Left Row Unit (SPD Special)				1				1					
*1B	2517010625-6	Large Right Row Unit (SPD Special)					1				1				
*1A	2517012292-8	Small Left Row Unit W/Frieze Of 40mm(SPD Special)										1			
*1A	2517012293-6	Small Right Row Unit W/Frieze Of 40mm(SPD Special)											1		
*1B	2517012294-4	Large Left Row Unit W/Frieze Of 40mm(SPD Special)												1	
*1B	2517012295-2	Large Right Row Unit W/Frieze Of 40mm(SPD Special)													1
*2	5124010577-6	Row Of Right Iron Complete Compactation Wheel			1		1		1		1		1		1
*2	5124010578-4	Row Of Left Iron Complete Compactation Wheel		1		1			1		1		1		1
*3	5124010337-4	Complete Row Of Rippled Coulters Disc Blade						1	1	1	1				

* Item 1A - See page 42
 * Item 1B - See page 44
 * Item 2 - See page - 48
 * Item 3 - See page 47

• Row With Concave Compactor Wheel W/ Regulator Support and Concave Compactor Wheel W/Sup. Regulator W/Frise Of 40mm



Item	Code	Product description	All	Smaller Right W/ Splined Cutting Disc	Smaller Left W/ Splined Cutting Disc	Larger Right W/ Splined Cutting Disc	Larger Left W/ Splined Cutting Disc	Smaller Right Without Cutting Disc - With 40mm Frise	Larger Right Without Cutting Disc - With 40mm Frise	Smaller Left Without Cutting Disc - With 40mm Frise	Larger Left Without Cutting Disc - With 40mm Frise	Smaller Right W/ Splined Cutting Disc - W/ 40mm Frise	Larger Right W/ Splined Cutting Disc - W/ 40mm Frise	Smaller Left With Splined Cutting Disc - With 40mm Frise	Larger Left With Splined Cutting Disc - With 40mm Frise
*1A	2517012570-6	Smaller Right Line W/ Straight Bar (Spd-E)		1											
*1A	2517012571-4	Smaller Left Line W/ Straight Bar (Spd-E)			1										
*1B	2517012572-2	Larger Right Line W/ Straight Bar (Spd-E)				1									
*1B	2517012573-0	Larger Left Line W/ Straight Bar (Spd-E)					1								
*1A	2517012582-0	Smaller Line W/ Straight Bar W/ 40mm Frise(Spd-E)						1				1			
*1B	2517012583-8	Larger Right Line W/ Straight Bar w/ 40mm Frise(Spd-E)							1				1		
*1A	2517012584-6	Smaller Left Line W/ Straight Bar w/ 40mm Frise(Spd-E)								1				1	
*1B	2517012585-4	Larger Left Line W/ Straight Bar w/ 40mm Frise(Spd-E)									1				1
*2	5124010108-8	Row Of Concave Depth Wheel With Regulating Support	1												
*3	5124010337-4	Complete Row Of Rippled Coulter Disc Blade		1	1	1	1					1	1	1	1

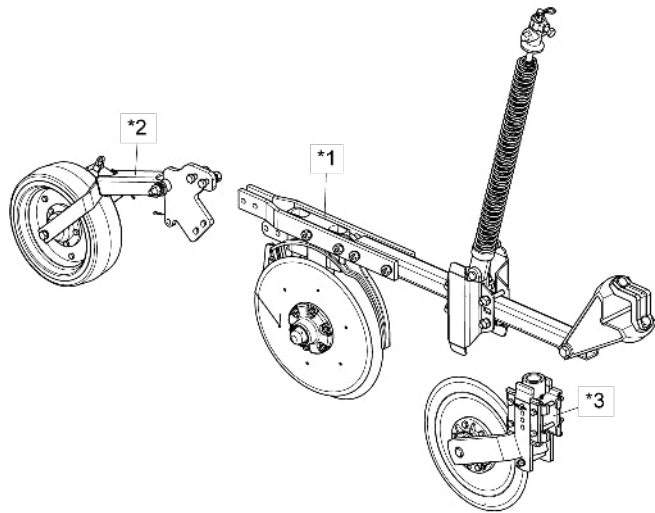
* Item 1A - See page 42

* Item 1B - See page 44

* Item 2 - See page - 41

* Item 3 - See page 47

• Row W/Ribbed Cutting Disc W/Smooth Compactor Wheel (Special)



Item	Code	Product description	All			
			Smaller Left W/ Splined Cutting Disc	Smaller Right W/ Splined Cutting Disc	Larger Left W/ Splined Cutting Disc	Larger Right W/ Splined Cutting Disc
*1A	2517010622-1	Small Left Row Unit (SPD Special)	1			
*1A	2517010623-0	Small Right Row Unit (SPD Special)		1		
*1B	2517010624-8	Large Left Row Unit (SPD Special)			1	
*1B	2517010625-6	Large Right Row Unit (SPD Special)				1
*2	5124010380-3	Complete Row Of Plain Compaction Wheel (SPD)	1			
*3	5124010337-4	Complete Row Of Rippled Coulter Disc Blade	1			

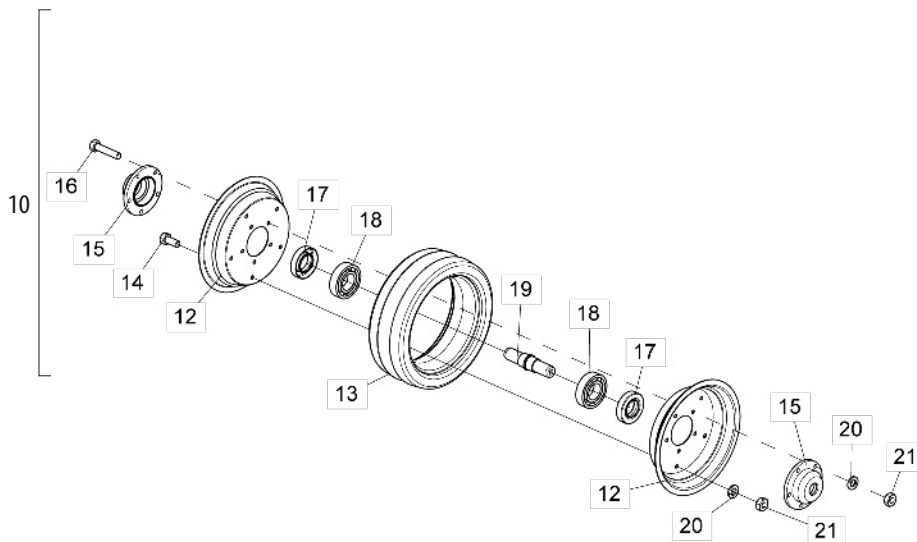
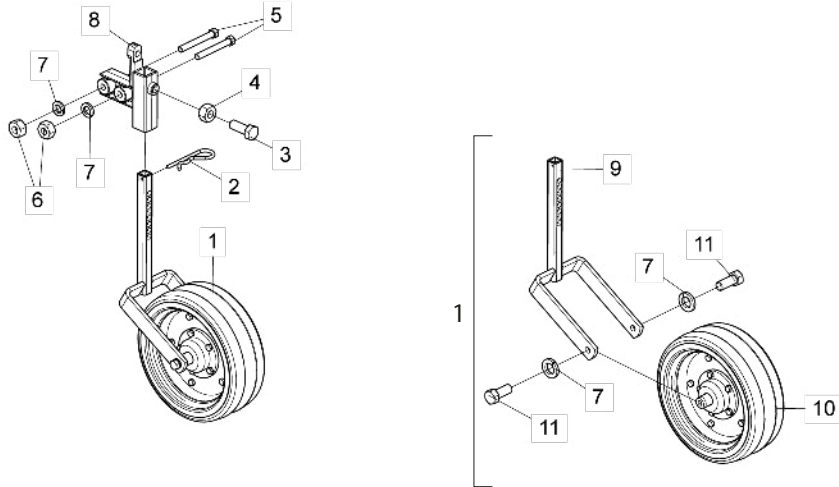
* Item 1A - See page 42

* Item 1B - See page 44

* Item 2 - See page - 46

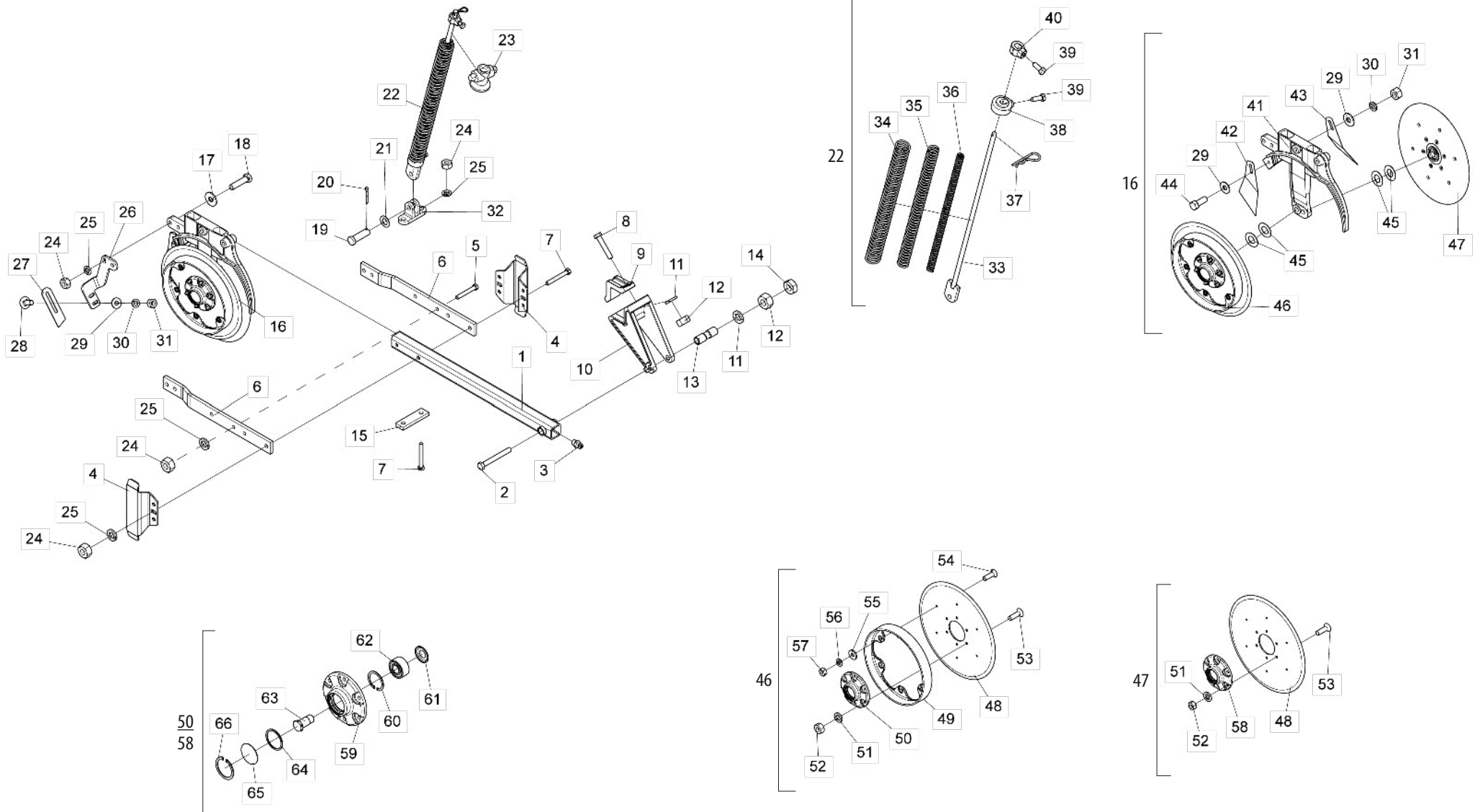
* Item 3 - See page 47

• Wheel Cart Concave Depth W/Sup. of the Regulator and Convex Depth Wheel Cart W/Sup. Regulator



Item	Code	Product description	All	Concave With Regulator Support	Convex With Regulator Support
1	5498010041-6	Concav Wheel De Apoio		1	
1	5498010042-4	Convex Wheel De Apoio			1
2	6020390308-4	Lock Nma - Type "R" Ø4,5 X 80mm	1		
3	6020311069-6	Hexagonal Head Bolt 5/8" X 1.3/4" 11F Unc1A Gr5 Rt Wth Point	1		
4	6020310760-1	Hexagonal Nut 5/8" 11F Unc Gr5 Ch.1.1/16" Height 15,00mm	1		
5	6020311065-3	Hexagonal Head Bolt 1/2" X 4" 12FW Gr5 Rp	2		
6	6020310754-7	Hexagonal Nut 1/2" 12FW Gr5 Ch.7/8" Height 12,00mm	2		
7	6020010410-5	Pressure Washer 1/2" Media Industry	2		
7	6020010410-5	Pressure Washer 1/2" Media Industry	2		
8	5530180106-7	Support Of Regulator	1		
9	5530180107-5	Wheel Support (SPD)	1		
10	5498100018-0	Complete Compaction Wheel Concav	1		
11	6020310051-8	Hexagonal Head Bolt 1/2" X 1.1/4" 12FW Gr5 Rt	2		
12	5018010016-1	Rubber Wheel Rim	2		
13	6020010813-5	Convex Compactation Rim 99-8	1		
14	6020312020-9	Hexagonal Head Bolt 5/16" X 3/4" 18F Unc1A Gr5 Rt	5		
15	5204020047-9	Wheel Hub	2		
16	6020311017-3	Hexagonal Head Bolt 5/16" X 1.1/2" 18F Unc Gr2 Rt	5		
17	6020350204-7	Retainer Ø25,00 X Ø47,00 X 10,00mm	2		
18	6020350007-9	Bearing 6206(Skf-Nsk-Timken)	2		
19	5080030028-0	Large Bushing Of Compactor Wheel	1		
20	6020010404-0	Pressure Washer 5/16" Media Industry	10		
21	6020310744-0	Hexagonal Nut 5/16" 18F Unc Gr5 Ch.1/2" Height 6,50mm	10		

• Left and Right Row Smaller

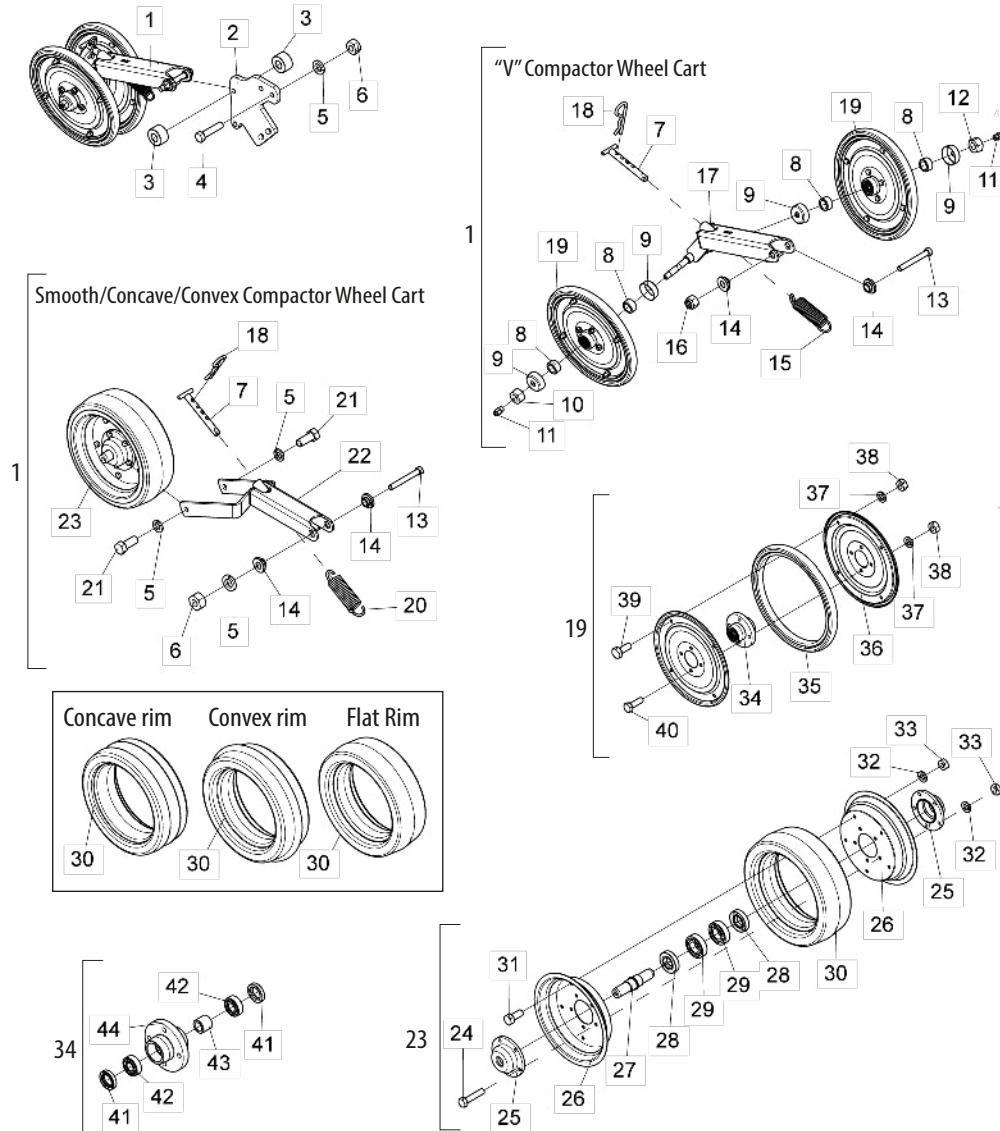


• Table Left and Right Line Larger

Item	Code	Product description	All																	
				Left (Special Spd)	Left W/Straight Bar	Left W/40mm Frieze(Special Spd)	Left W/Straight Bar With 40mm Frieze	Right (Special Spd)	Right W/Straight Bar	Right W/Frise Of 40mm (Special Spd)	Right W/Straight Bar W/ 40mm Frieze									
1	5572012100-9	Square Beam Of50 X 800mm Complete	1																	
2	6020010412-1	Pressure Washer 5/8" Media Industry	3																	
3	6020310760-1	Hexagonal Nut 5/8" 11F Unc Gr5 Ch.1.1/16" Height 15,00mm	3																	
4	6020310738-5	Hexagonal Nut 5/8" 11F Unc Gr5 Ch.1.1/16" Height 11,00mm	1																	
5	5024010075-1	Smooth Washer Ø10,3 X Ø25 X 2,00mm		2	2	4	4	2	2	4	4									
6	6020010406-7	Pressure Washer 3/8" Media Industry		1	1	3	3	1	1	3	3									
7	6020310746-6	Hexagonal Nut 3/8" 16F Unc Gr5 Ch.9/16" Height 8,50mm		2	2	4	4	2	2	4	4									
8	6020311065-3	Hexagonal Head Bolt 1/2" X 3.1/2" 12FW Gr5 Rp	4																	
9	5024010059-0	Smooth Washer Ø16,5 X Ø29 X 1,21mm	1																	
10	6020310593-5	Pin Ø5/8" X 46mm	1																	
11	6020050101-5	Cotterpin 1/8" X 1"	1																	
12	5040140058-0	Bar Of 2" X 1/2" X 554mm		2		2		2		2										
12	5040140064-5	Bar Of 2" X 1/2" X 518mm			2		2		2		2									
13	6010601172-1	Lower Support Of Rod (Small)	1																	
14	5526010018-0	Separator Of Rows	2																	
15	5068010081-8	Clamp Of 84 X 64 X R.1/2" W	3																	
16	6020010410-5	Pressure Washer 1/2" Media Industry		10	10	12	12	10	10	12	12									
17	6020310756-3	Hexagonal Nut 1/2" 12F W Gr5 Ch.3/4" Height 11,00mm	2																	
18	6010601280-9	Upper Lock Of Triple Spring	1																	
19	5566010045-7	Small Rod Of Spring	1																	
20	6020310754-7	Hexagonal Nut 1/2" 12F W Gr5 Ch.7/8" Height 12,00mm		8	8	10	10	8	8	10	10									
21	6020130100-1	Grease Fitting 1/4"	1																	
22	5252040056-7	Row Hitch	1																	
23	6020311079-3	Hexagonal Head Bolt 5/8" X 3.1/2" 11F Unc1A Gr5 Rp	2																	
24	6010601347-3	Fixation Shank Of Coultter Disc	1																	
25	5080010539-8	Row Articulation Bushing	1																	
26	6020311082-3	Hexagonal Head Bolt 5/8" X 5.1/2" 11F Unc1A Gr5 Rp	1																	
27	5352010048-9	Limiter Of Limiter Rim				1	1			1	1									
28	6020311160-9	French Head Bolt 3/8" X 1" 16F Unc1A Gr2 Rt				2	2			2	2									
29	5530014452-6	Right Support Of Scraper				1	1													
29	5530014453-4	Left Support Of Scraper								1	1									
30	5124018019-0	Fertilizer/Seed Double Disc Right Cart(Disc.) Special								1	1									
30	5124018020-4	Fertilizer/Seed Double Disc Cart Left(Disc.) Special		1	1															
30	5124018021-2	Fertilizer/Seed Double Disc Dir Cart With 40mm Frieze(Discount) Special									1	1								
30	5124018022-0	Fertilizer/Seed/Frise Double Disc Cart Left 40mm(Desc.) Special				1	1													
31	5024010068-9	Smooth Washer Ø13,3 X Ø35,5 X 3,00mm				2	2			2	2									
32	6020310049-6	Hexagonal Head Bolt 1/2" X 2" 12F W Gr5 Rp				2	2			2	2									
33	6020250437-2	Helical Spring Ø43,5 X Ø54,5 X 700mm External	1																	
34	6020250436-4	Helical Spring Ø30,5 X Ø41,5 X 700mm	1																	

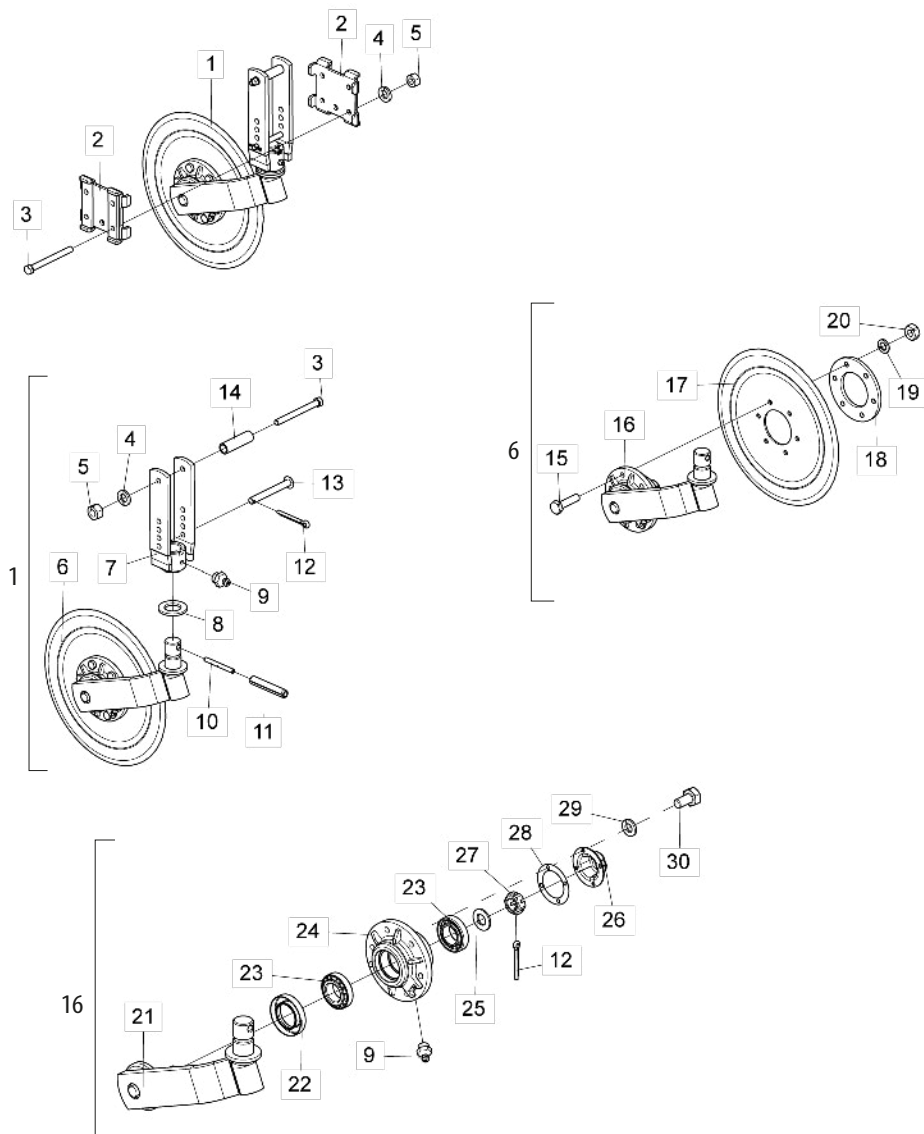
Item	Code	Product description	All																		
				Left (Special Spd)	Left W/Straight Bar	Left W/40mm Frieze(Special Spd)	Left W/Straight Bar With 40mm Frieze	Right (Special Spd)	Right W/Straight Bar	Right W/Frise Of 40mm (Special Spd)	Right W/Straight Bar W/ 40mm Frieze										
35	6020250435-6	Helical Spring Ø17,5 X Ø25,5 X 700mm Internal	1																		
36	5530016364-4	Lower Support Of Triple Spring	1																		
37	5080011663-2	Fixation Support Of Spring Rod	1																		
38	5566040144-9	Rod Of Spring De.935,5mm	1																		
39	6020390294-0	Lock Nma - Type "R" Ø3,5 X 67mm(Special)	1																		
40	6020310349-5	Hexagonal Head Bolt M12 X 1,75 X 30mm Cl8.8 R Wth Point	2																		
41	5024010024-7	Smooth Washer Ø20 X Ø38 X 1,21mm	4																		
42	5204010578-6	Complete Right Cube W/ 40mm Limiting Frieze (Flat Flat Disc 15" X 4.00mm)				1	1														
42	5204010579-4	Full Left Cube w/ 40mm Limiting Fringe (Flat Flat Disc 15" X 4.00mm)															1	1			
43	5204010576-0	Complete Right Cube (Flat Flat Disc 15" X 4.00mm)		1	1					1	1	1	1	1	1						
43	5204010577-8	Complete Left Cube (Flat Flat Disc 15" X 4.00M)		1	1	1	1	1	1												
44	6020310054-2	Hexagonal Head Bolt 3/8" X 1" 16F Unc1A Gr2 Rt	1																		
45	5352030057-7	Internal Right Scraper Of Disc	1																		
46	5530011576-3	Left Support Of Large Fertilizer/Seed Large Double Disc		1	1	1	1														
46	5530011577-1	Right Support Of Fertilizer And Seed Large Double Disc (Descitrado)														1	1	1	1		
47	5352030056-9	Internal Left Scraper Of Disc	1																		
48	2857398003-6	Coulter Plain Disc Blade 15 X 4,00 Hc Rd 80mm + 6H Rd 8,7mm R=57,5mm + 6H Rd 6,9mm	1																		
49	6020317573-9	Allen Bolt M8 X 1,25 X 25mm Cl12.9 RT	6																		
50	5204010452-6	Left Disc Hub	1																		
51	6020010004-5	Pressure Washer M8 Media	6																		
52	6020310454-8	Hexagonal Nut M8 X 1,25 Ma Cl8 Ch.13mm H.6,50mm	6																		
53	6020317441-4	Bolt M6 X 1,00 X 20mm Cl8.8 Rt				6	6												6	6	
54	6010600786-4	Deph Limiter Ring (40mm)				1	1												1	1	
55	5204010451-8	Right Disc Hub	1																		
56	6020311257-5	Hexagonal Nut M6 X 1,00 Ma Cl8 Ch.10mm H.5,00mm				6	6												6	6	
57	6020010122-0	Pressure Washer M6 Media				6	6												6	6	
58	5024010161-8	Smooth Washer Ø7 X Ø18 X 2,00mm				6	6												6	6	
59	6020056005-4	Dual Ball Races Bearing Cap 5204Kp52-Sp6 (1°line)	1																		
60	6020350933-5	Sphere Bearing Double Row 5204Kp52-Sp6(1° Line)	1																		
61	5420010098-3	Hexagonal Head Bolt 3/4" X 1.7/8" 16F Unf 1A Gr5 Rp - Read Right (Special)	1																		
61	5420010099-1	Hexagonal Head Bolt 3/4" X 1.7/8" 16F Unf 1A Gr5 Rp - Read Left (Special)	1																		
62	6020010095-9	Gasket Ring Ø47X Ø52X 2mm	1																		
63	5096010050-3	Hub Cap	1																		
64	6020010289-7	Retaining Ring I-55	1																		
65	6020011053-9	Retaining Ring I-047	1																		
66	5204010453-4	Hub Of Ø136 X 41mm	1																		

• Compactor Wheel Complete Cart



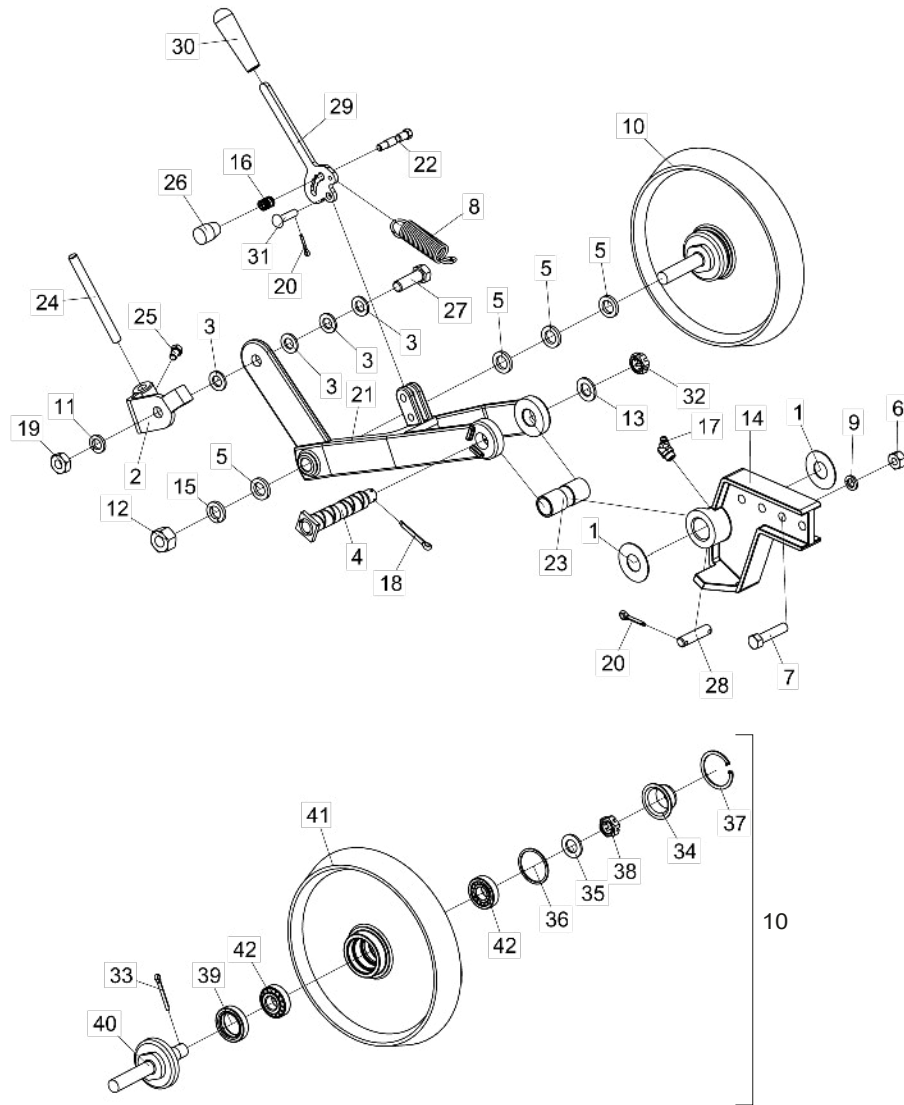
Item	Code	Product description	All	Flat	In V"	Concave	Convex
1	5124010110-0	Row Of Plain Compaction Wheel	1				
1	5124010413-3	Row Of Compaction Wheel Type "V" (SPD)		1			
1	5124080044-0	Row Of Concave Compaction Wheel				1	
1	5124080045-8	Row Of Concave Compaction Wheel					1
2	5530010827-9	Fixation Support Of Wheel	1				
3	5080020772-7	Bushing Of Ø14,3 X Ø1.1/4" X 18,5mm	2				
4	6020312060-8	Hexagonal Head Bolt 1/2" X 2.1/4" 12FW Gr5 Rp	2				
5	6020010410-5	Pressure Washer 1/2" Media Industry		5	2	5	5
6	6020310754-7	Hexagonal Nut 1/2" 12F W Gr5 Ch.7/8" Height 12,00mm	2	3	2	3	3
7	5432060014-9	Handle 5/8" X 131mm	1				
8	5080020710-7	Bushing Of Ø15 X Ø22,22 X 12mm			4		
9	6020059512-5	Hub Cap			4		
10	6020310736-9	Hexagonal Nut 9/16" 18F Unf Gr5 Ch.7/8" Height 12,50mm			1		
11	6020130100-1	Grease Fitting 1/4"			2		
12	6020310737-7	Hexagonal Nut 9/16" 18F Rf/Esq Unf Gr5 Ch.7/8" Height 12,50mm			1		
13	6020311065-3	Hexagonal Head Bolt 1/2" X 4" 12FW Gr5 Rp	1				
14	5080020484-1	Bushing Of Ø13,1 X Ø31,5 X 12,5mm	2				
15	6020250658-8	Helical Spring Ø21,5 X Ø28,5 X 95mm			1		
16	6020310809-8	Self-Locking Nut With Nylon 1/2" 12F W Gr5 Ch.3/4" H.15,50mm			1		
17	5530011808-8	Support "V" Wheel (SPD)			1		
18	6020390308-4	Lock Nma - Type "R" Ø4,5 X 80mm	1				
19	5498090024-2	Spare Compaction Wheel			2		
20	6020250317-1	Helical Spring Ø23 X Ø31 X 88mm		1		1	1
21	6020310051-8	Hexagonal Head Bolt 1/2" X 1.1/4" 12FW Gr5 Rt	2		2	2	2
22	5530180056-7	Small Oscilating Support	1		1	1	1
23	5498030089-0	Complete Plain Compaction Wheel	1				
23	5498100018-0	Complete Compaction Wheel Concav				1	
23	5498100098-9	Complete Compaction Wheel Convex					1
24	6020311017-3	Hexagonal Head Bolt 5/16" X 1.1/2" 18F Unc Gr2 Rt	5	5	5		
25	5204020047-9	Wheel Hub	2	2	2		
26	5018010016-1	Rubber Wheel Rim	2	2	2		
27	5080030028-0	Large Bushing Of Compactor Wheel	1	1	1		
28	6020350204-7	Retainer Ø25,00 X Ø47,00 X 10,00mm	2	2	2		
29	6020350007-9	Bearing 6206 (Skf-Nsk-Timken)	2	2	2		
30	6020010813-5	Convex Compaction Rim 99-8	1				
30	6020010812-7	Convex Compaction Rim 811/9 103-8			1		
30	6020010803-8	Compaction Rim				1	
31	6020312020-9	Hexagonal Head Bolt 5/16" X 3/4" 18F Unc1A Gr5 Rt	5	5	5		
32	6020010404-0	Pressure Washer 5/16" Media Industry	10	10	10		
33	6020310744-0	Hexagonal Nut 5/16" 18F Unc Gr5 Ch.1/2" Height 6,50mm	10	10	10		
34	5204110018-4	Complete Hub Of Wheel					1
35	6020010808-9	Rim 300 X 25mm					1
36	5288020025-9	Wheel Ring					2
37	6020010004-5	Pressure Washer M8 Media					8
38	6020310454-8	Hexagonal Nut M8 X 1,25 Ma Cl8 Ch.13mm H.6,50mm					8
39	6020311269-9	Hexagonal Head Bolt M8 X 1,25 X 20mm Cl8.8 Rt					4
40	6020310448-3	Hexagonal Head Bolt M8 X 1,25 X 25mm Cl8.8 Rt					4
41	6020350211-0	Retainer Ø22,00 X Ø35,00 X 6,70mm					
42	6020350871-1	Sphere Rigid Bearing 6202 (Skf-Nsk-Timken)	2				
43	5080020655-0	Bushing Of Ø16 X Ø25 X 22mm	1				
44	5204110017-6	Wheel Hub	1				

• Complete Trolley Of Splined Cutting Disc



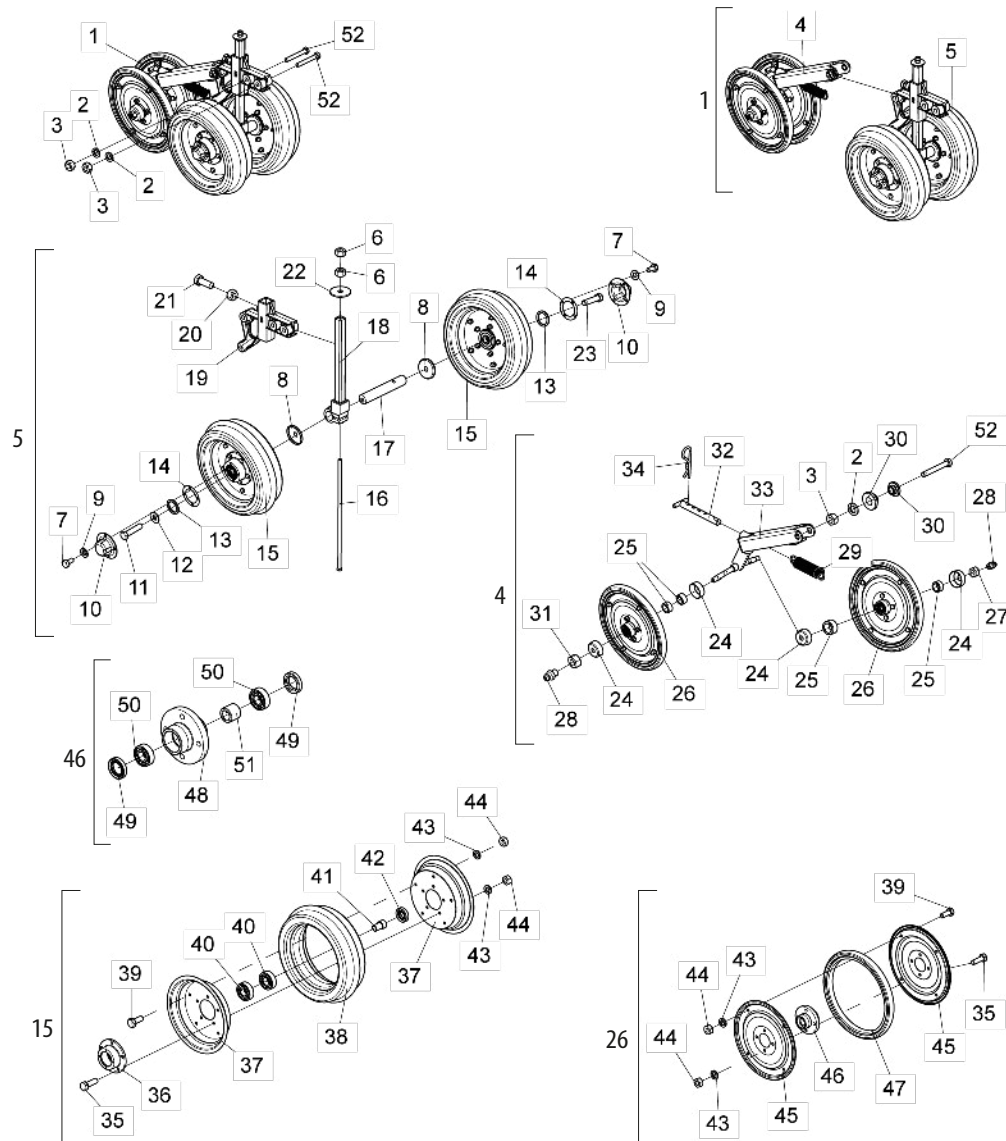
Item	Code	Product description	All
1	5124010099-5	Rippled Coulter Disc Row	1
2	5324050014-7	Complete Adjustment Support Guide	2
3	6020311038-6	Hexagonal Head Bolt 3/8" X 4" 16F Unc1A Gr2 Rp	5
4	6020010406-7	Pressure Washer 3/8" Media Industry	5
5	6020310746-6	Hexagonal Nut 3/8" 16F Unc Gr5 Ch.9/16" Height 8,50mm	5
6	5124010100-2	Row W/Rippled Coulter Disc Blade	1
7	5530010406-0	Depth Regulator Support	1
8	5024010107-3	Smooth Washer Ø36 X Ø61 X 5,00mm	1
9	6020130108-7	Grease Fitting 1/8"	2
10	6020310472-6	Heavy Elastic Pin Ø6 X 55mm	1
11	6020310510-2	Heavy Elastic Pin Ø10 X 55mm	1
12	6020050101-5	Cotterpin 1/8" X 1"	2
13	5432010181-9	French Head Pin Ø11,20 X 90mm	1
14	5080020787-5	Bushing Of Ø14 X Ø19 X 65mm	1
15	6020310980-9	Hexagonal Head Bolt M10 X 1,50 X 40mm Cl8.8 Rt	6
16	5530010405-2	Support Of Disc W/Hub	1
17	3255397388-0	Rippled Plain Disc Blade 14 X 4,00 Hc Rd 80mm + 6H Rd 10,3mm D=115mm Doble Bevel	1
18	5284010001-4	Flange Of Disc Hub	1
19	6020010394-0	Pressure Washer M10 Media	6
20	6020310822-5	Hexagonal Nut M10 X 1,50 Ma Cl8 Ch.17mm H.8,00mm	6
21	5530160187-4	Support W/Shaft Of Disc	1
22	6020350244-6	Retainer Ø35,00 X Ø58,00 X 10,00mm	1
23	6020350077-0	Bearing 44610/49	2
24	5204010090-3	Disc Hub	1
25	5024010258-4	Smooth Washer Ø20 X Ø38,5 X 3,00mm	1
26	6020050640-8	Hub Cap	1
27	6020310797-0	Nut 3/4" 16F Unf Gr5 Ch.1.1/16" Height 13,00mm	1
28	6020190098-3	Gasket Ø50,3 X Ø73,5 X 1/64"	1
29	6020010402-4	Pressure Washer 1/4" Media Industry	4
30	6020311000-9	Hexagonal Head Bolt 1/4" X 1/2" 20F Unc1A Gr5 Rt	4

• Iron Compactor Wheel Cart



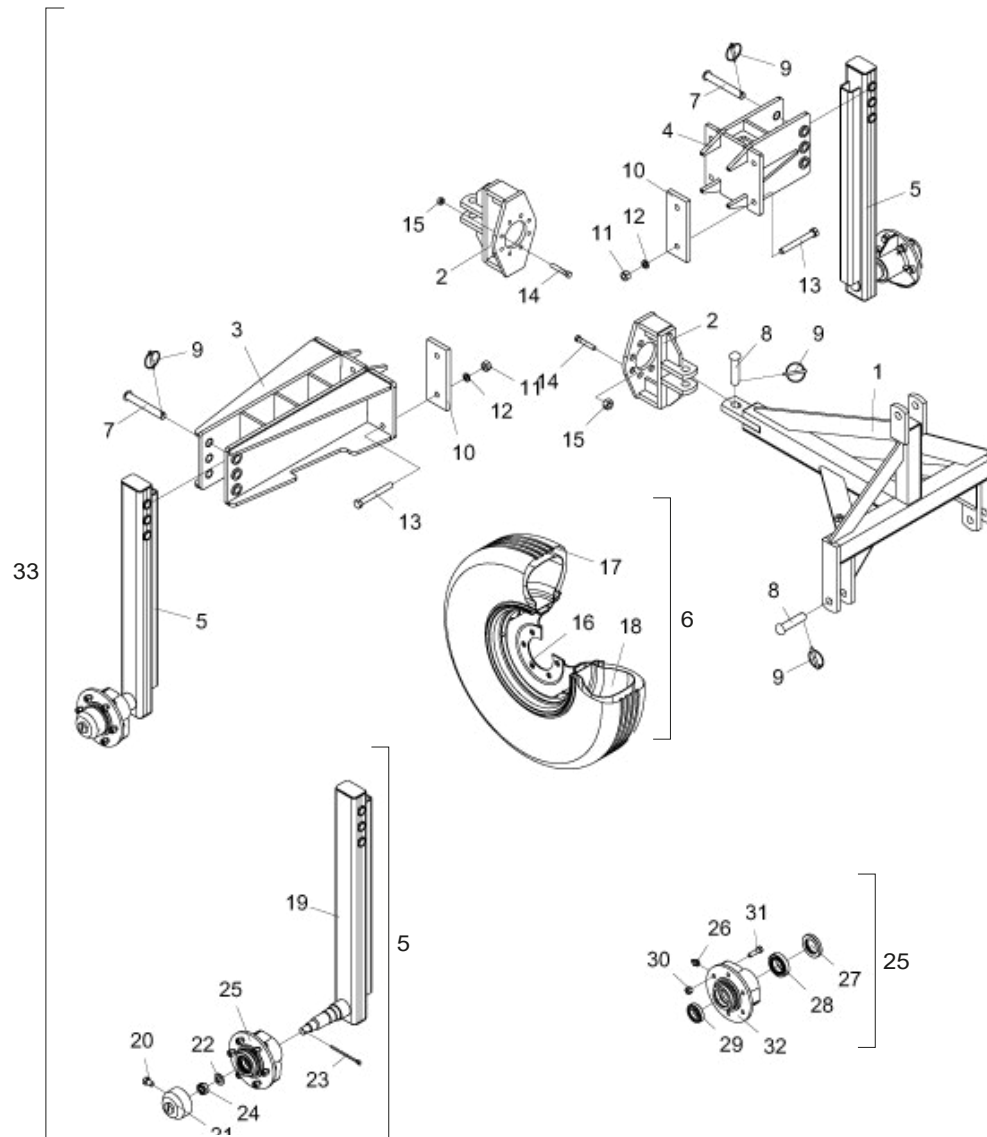
Item	Code	Product description	All	Right	Left
1	5024010560-5	Smooth Washer Ø26 X Ø58 X 1,52mm	2		
2	5530014462-3	Left Cleaner Axis Support		1	
2	5530014461-5	Right Cleaner Axis Support			1
3	5024010154-5	Smooth Washer Ø16 X Ø29 X 3,00mm	4		
4	5432010372-2	Articulation Pin	1		
5	5024010302-5	Smooth Washer Ø20 X Ø32 X 4,75mm	4		
6	6020310754-7	Hexagonal Nut 1/2" 12F W Gr5 Ch.7/8" Height 12,00mm	2		
7	6020312060-8	Hexagonal Head Bolt 1/2" X 2.1/4" 12F W Gr5 Rp	2		
8	6020250658-8	Helical Spring Ø21,5 X Ø28,5 X 95mm	1		
9	6020010410-5	Pressure Washer 1/2" Media Industry	2		
10	5498010049-1	Complete Iron Compaction Wheel	1		
11	6020010412-1	Pressure Washer 5/8" Media Industry	1		
12	6020310817-9	Hexagonal Nut 3/4" 16F Unf Gr5 Ch.1.1/4" Height 18,50mm	1		
13	6020010513-6	Plain Washer Ø20 X Ø35 X 3mm	1		
14	5530014456-9	Fixation Support Of Wheel	1		
15	6020010414-8	Pressure Washer 3/4" Media Industry	1		
16	6020250577-8	Helical Spring Ø12,5 X Ø16,5 X 19mm	1		
17	6020130110-9	Grease Fitting 1/8"	1		
18	6020050101-5	Cotterpin 1/8" X 1"	1		
19	6020310738-5	Hexagonal Nut 5/8" 11F Unc Gr5 Ch.1.1/16" Height 11,00mm	1		
20	6020050099-0	Cotterpin 1/8" X 3/4"	3		
21	5530014454-2	Right Support Of Iron Wheel		1	
21	5530014455-0	Left Support Of Iron Wheel			1
22	5420010078-9	Hexagonal Head Bolt Ø1/2" X 63mm 16F Unc 1A R.3/8"	1		
23	5080011444-3	Large Bushing Of Iron Compactor Wheel	1		
24	5352010053-5	Scraper Of 150mm	1		
25	6020311030-0	Hexagonal Head Bolt 3/8" X 5/8" 16F Unc1A Gr2 Rt	1		
26	6020430203-3	Handle Pma 330 Thread 3/8" X 16 Fios	1		
27	6020310180-8	Hexagonal Head Bolt 5/8" X 2" 11F Unc1A Gr5 Rp	1		
28	5432010373-0	Pin Ø3/8" X 40mm	1		
29	5008010230-2	Pressure Adjustment Handle	1		
30	6020050724-2	Rubber Cable	1		
31	6020311241-9	French Head Pin Ø9,8 X 33mm	1		
32	6020310797-0	Nut 3/4" 16F Unf Gr5 Ch.1.1/16" Height 13,00mm	1		
33	6020050101-5	Cotterpin 1/8" X 1"	1		
34	6020050641-6	Hub Cap	1		
35	6020010513-6	Plain Washer Ø20 X Ø35 X 3mm	1		
36	6020010095-9	Gasket Ring 047X 052X 2mm	1		
37	6020010289-7	Retaining Ring I-55	1		
38	6020310797-0	Nut 3/4" 16F Unf Gr5 Ch.1.1/16" Height 13,00mm	1		
39	6020350268-3	Retainer Ø36,00 X Ø52,00 X 11,00mm	1		
40	5232010977-9	Complete Shaft Of Steel Compactation Wheel	1		
41	5288010049-1	Ring Of Compactor Wheel	1		
42	6020350087-7	Bearing 30204	2		

• Depth Wheel Cart and "V" Wheel (Eccentric) Complete



Item	Code	Product description	All
1	5124010050-2	Carrinho Da Roda De Profundidade E Roda Em "V"(Eccentrico)	1
2	6020010395-8	Arruela De Pressão M12 Media	3
3	6020310820-9	Porca Sext. M12 X 1,75 Ma Cl8 Ch.19mm Alt.10,00mm	3
4	5124080057-1	Carrinho Da Roda Compactadora Em "V"	1
5	5124080050-4	Carrinho Da Roda De Profundidade C/Suporte Do Regulador	1
6	6020310746-6	Porca Sext. 3/8" 16F Unc Gr5 Ch.9/16" Alt.8,50mm	2
7	6020311000-9	Parafuso Cab.Sext. 1/4" X 1/2" 20F Unc1A Gr5 Rt	8
8	5096010031-7	Calota De Ø16 X Ø63,6 X 7,6mm	2
9	6020010402-4	Arruela De Pressão 1/4" Media Industrial	8
10	6020050640-8	Calota Do Cubo	2
11	6020310292-8	Parafuso Cab.Sext. 5/8" X 2.3/4" 11F Unc1A Gr5 Rp Rosca Direita	1
12	5024010239-8	Arruela Lisa De Ø16,5 X Ø37 X 3,00mm	2
13	5024010330-0	Arruela Lisa De Ø38,8 X Ø50,2 X 4,00mm	2
14	6020190098-3	Junta De Papel Ø50,3 X Ø73,5 X 1/64"	2
15	5498100047-4	Roda Compactadora Menor	2
16	6020311039-4	Parafuso Cab.Sext. 3/8" X 15.1/2" 16F Unc1A Gr2 Rp	1
17	5232020121-7	Eixo De Ø1.1/4" X 190mm	1
18	5484040022-3	Regulador De Profundidade	1
19	5530180108-3	Suporte Do Regulador	1
20	6020310765-2	Porca Sext. 5/8" 11F Unc Gr5 Ch.15/16" Alt.14,00mm	1
21	6020311069-6	Parafuso Cab.Sext. 5/8" X 1.3/4" 11F Unc1A Gr5 Rt C/Ponta	1
22	5024010206-1	Arruela Lisa De Ø10,6 X Ø44 X 3,00mm(Zincada)	1
23	6020310293-6	Parafuso Cab.Sext. 5/8" X 2.3/4" 11F Unc1A Gr5 Rp Rosca Esquerda	1
24	6020059512-5	Calota Do Cubo	4
25	5080020710-7	Bucha De Ø15 X Ø22,22 X 12mm	4
26	5498090024-2	Roda Compactadora Avulsa	2
27	6020310737-7	Porca Sext. 9/16" 18F Rf/Esq Unf Gr5 Ch.7/8" Alt.12,50mm	1
28	6020130100-1	Graxeira 1/4" Reta Unf - 28F Alt.14mm Sext 5/16"	2
29	6020250658-8	Mola Helicoidal De Tração Ø21,5 X Ø28,5 X 95mm Arame=Ø3,5mm	1
30	5080020484-1	Bucha De Ø13,1 X Ø31,5 X 12,5mm	2
31	6020310736-9	Porca Sext. 9/16" 18F Unf Gr5 Ch.7/8" Alt.12,50mm	1
32	5432060014-9	Puxador De 5/8" X 131mm	1
33	5530160231-5	Suporte Oscilante Menor	1
34	6020390308-4	Trava Nma - Tipo "R" De Ø4,5 X 80mm (455)	1
35	6020310448-3	Parafuso Cab.Sext. M8 X 1,25 X 25mm Cl8.8 Rt	9
36	5204010174-8	Cubo Da Roda De Compactação	1
37	5018010016-1	Aro Da Roda De Borracha	2
38	6020010812-7	Aro Compactador Convexo 811/9 103-8	1
39	6020311269-9	Parafuso Cab.Sext. M8 X 1,25 X 20mm Cl8.8 Rt	9
40	6020350867-3	Rolamento Rigido De Esfera 6204 (Skf-Nsk-Timken)	2
41	5080010146-5	Bucha De Ø16 X Ø26 X 44mm	1
42	6020350204-7	Retentor Ø25,00 X Ø47,00 X 10,00mm (Arca 5412 Brg / Sabo 02046 Brg)	1
43	6020010004-5	Arruela De Pressão M8 Media	18
44	6020310454-8	Porca Sext. M8 X 1,25 Ma Cl8 Ch.13mm Alt.6,50mm	18
45	5288020025-9	Friso Da Roda	2
46	5204110018-4	Cubo Completo Da Roda	1
47	6020010808-9	Aro 300 X 25mm	1
48	5204110017-6	Cubo Da Roda	1
49	6020350211-0	Retentor Ø22,00 X Ø35,00 X 6,70mm (Arca 5044 Br / Sabo 00294 Br)	2
50	6020350871-1	Rolamento Rigido De Esfera 6202 (Skf-Nsk-Timken)	2
51	5080020655-0	Bucha De Ø16 X Ø25 X 22mm	1
52	6020317495-3	Parafuso Cab.Sext. M12 X 1,75 X 90mm Cl8.8 Rp	3

• Mechanical Kit of Lateral Transport (Optional) For 3000/4000/5000



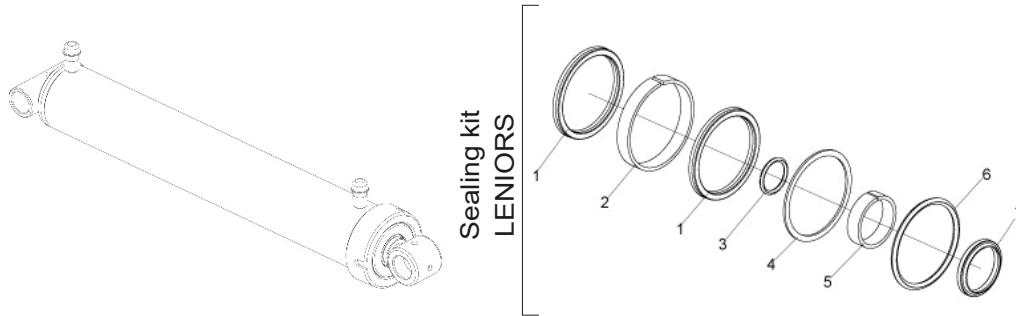
Item	Code	Product description	All
1	5084010143-3	Hitch Drawbar For Lateral Transport	1
2	5252040039-7	Hitch For Transport	2
3	5530140062-3	Support Of Rear Lateral Transport	1
4	5530140055-0	Support Of Front Lateral Transport	1
5	5326010315-2	Complete Shank	2
6	5498100007-5	Complete Wheel 900 X 17	2
7	6020310867-5	Pin Ø1" X 177mm	4
8	6020310661-3	Pin Ø1.1/8" X 113mm	4
9	6020390301-7	Lock Ø5,75 X 50mm	8
10	5136012156-2	Fixation Plate	5
11	6020310770-9	Hexagonal Nut 3/4" 10F Unc Gr5 Ch.1.7/32" Height 18,50mm	10
12	6020010414-8	Pressure Washer 3/4" Media Industry	10
13	6020311124-2	Hexagonal Head Bolt 3/4" X 6.1/2" 10F Unc1A Gr5 Rp	10
14	6020310997-3	Hexagonal Head Bolt 9/16" X 3.1/4" 18F Unf1A Gr5 Rp	16
15	6020310736-9		16
16	6020350402-3	Rim 5,5" X 16" 16.392	2
17	6020310408-4	Tyre 900 X 16 X 10 Ply	2
18	6020050362-0	Inner Tube Pa 15/16	2
19	5326030057-8	Lateral Support Shank	2
20	6020311020-3	Hexagonal Head Bolt 5/16" X 1/2" 18F Unc1A Gr2 Rt	2
21	5096020004-4	Wheel Hub Cap	2
22	5024010039-5	Smooth Washer Ø26,2 X Ø44 X 4,75mm	2
23	6020050102-3	Cotterpin 1/8" X 2.1/2"	2
24	6020310800-4	Nut 1" 14F Uns Gr5 Ch.1.1/2" Height 22,00mm	2
25	5204060025-6	Complete Wheel Hub	2
26	6020130108-7	Grease Fitting 1/8"	2
27	6020350224-1	Retainer Ø55,00 X Ø90,00 X 12,50mm	2
28	6020350056-7	Bearing 32210	2
29	6020350080-0	Bearing 30207	2
30	6020310816-0	Double Conic Hexagonal Nut Of Wheel 9/16" 18F Unf Gr5 Ch.7/8" Height 19,00mm	12
31	6020310998-1	Hexagonal Head Bolt 9/16" X 2" 18F Unf1A Gr5 Rp	12
32	5204010063-6	Wheel Hub (Spare)	2
33	KCJTRANLATSPD	Mechanic Lateral Transport Kit	1

IMPORTANT: To purchase the complete transport kit (33), inform the sales team of the derivation 2000.

• Table Semi-Hydraulic Kit of Lateral Transport (Optional) For 4000/5000

Item	Code	Product description	All	Item	Code	Product description	All
1	5084010143-3	Hitch Drawbar For Lateral Transport	1	37	6020310814-4	Self-Locking Nut With Nylon 1" 14F Uns Gr5 Ch.1.1/2" H.20,00mm	2
2	5530010732-9	Articulation Rear Support	1	38	6020311026-2	Hexagonal Head Bolt 5/16" X 2.1/4" 18F Unc1A Gr2 Rp	2
3	5530010731-0	Articulation Front Support	1	39	5530060020-3	Hoses Support	1
*4	6020055717-7	Hydraulic Cylinder "O.D" Ø1.5/8" X Ø3.1/4" X 490mm(Course) X 692mm(Closed)	2	40	6020310736-9	Hexagonal Nut 9/16" 18F Unf Gr5 Ch.7/8" Height 12,50mm	8
5	5530011612-3	Right Support Of Wheel	1	41	5080020063-3	Bushing Of Ø14 X Ø3/4" X 9mm	4
6	5530011611-5	Left Support Of Wheel	1	42	5252040039-7	Hitch For Transport	1
7	5498100007-5	Complete Wheel 900 X 17	2	43	6020250797-5	High Pressure Hydraulic Hose 3/8" X 3100mm With 2Tcg (Sae 100R2 At - P.T.4800Psi)	1
8	5528010581-2	Hydraulic System For SPD - 4000/5000 Transport Lateral W/Hydraulic Rim	1	44	5136011022-6	Fixation Plate Of Gang	4
9	5372011144-2	Hose Ø3/8" X 7200mm W/ 1TCG and 1Trf With Male Quickly Coupling	1	45	6020350402-3	Rim 5,5" X 16" 16.392	2
10	6020130108-7	Grease Fitting 1/8"	6	46	6020310408-4	Tyre 900 X 16 X 10 Ply	2
11	5136010334-3	Plate Of 210 X 113,5 X 5/8"	2	47	6020050362-0	Inner Tube Pa 15/16	2
12	5558010097-9	Lock Piston For Lateral Transport SPD	2	48	6020251013-5	High Pressure Hydraulic Hose 3/8" X 900mm With 1Tcg And 1Trg (Sae 100R2 At - P.T.4800Psi)	1
13	6020310997-3	Hexagonal Head Bolt 9/16" X 3.1/4" 18F Unf1A Gr5 Rp	8	49	5224010106-8	Oil Distributor	1
14	6020010404-0	Pressure Washer 5/16" Media Industry	2	50	5372011143-4	Hose Ø3/8" X 7200mm W/ 1TRG and 1TrfW/Male Quick Coupling	1
15	6020010412-1	Pressure Washer 5/8" Media Industry	8	51	6020310986-8	Hexagonal Head Bolt 5/16" X 1.3/4" 18F Unc1A Gr5 Rp	2
16	6020310209-0	Hexagonal Head Bolt 5/8" X 6.1/2" 18F Unf1A Gr5 Rp	8	52	6020250918-8	High Pressure Hydraulic Hose 3/8" X 3200mm With 1Tcg 90° And 1Trg (Sae 100R2 At -	1
17	5024010121-9	Smooth Washer Ø28 X Ø87 X 8,00mm(Galvanised)	2	53	6020010022-3	O' Ring 2-114 N3006-90Nbr (15,54)	3
18	6020050116-3	Cotterpin 1/4" X 2"	4	54	5412010035-4	Nipple R.3/4" Unf X R.3/4" Unf X 38mm With Hexagonal 7/8"	3
19	6020310639-7	Pin Ø30,53 X 106mm	2	55	6020430204-1	Flow Divider Valve Hfb030731 - Hydraulic Designer	1
20	6020310258-8	Hexagonal Head Bolt 3/4" X 6.1/2" 16F Unf1A Gr5 Rp	8	56	5530011609-3	Right Support Of Wheel	1
21	6020010453-9	Smooth Washer M33 Ø34,00 X Ø60,00 X 5,00mm (Din 125A)	4	56	5530011610-7	Left Support Of Wheel	1
22	6020310771-7	Double Hexagonal Nut 3/4" 16F Unf Gr5 Ch.1.1/16" H.23,00mm	8	57	5024010039-5	Smooth Washer Ø26,2 X Ø44 X 4,75mm	2
23	6020310661-3	Pin Ø1.1/8" X 113mm	2	58	6020310800-4	Nut 1" 14F Uns Gr5 Ch.1.1/2" Height 22,00mm	2
24	5432010075-8	French Head Pin Ø30,53 X 205mm	2	59	5096020004-4	Wheel Hub Cap	2
25	6020390301-7	Lock Ø5,75 X 50mm	4	60	6020050105-8	Cotterpin 1/8" X 1.1/4"	2
26	6020310421-1	French Head Pin Ø9,8 X 61mm	4	61	6020311020-3	Hexagonal Head Bolt 5/16" X 1/2" 18F Unc1A Gr2 Rt	2
27	5412010099-0	Nipple R.1/2" Npt X R.3/4" Unf X 50mm With Hexagonal 7/8"	1	62	5204060025-6	Complete Wheel Hub	2
28	5412010104-0	Nipple R.1/2"(G) X 3/4" Unf X 45mm With Hexagonal 1"	1	63	6020350224-1	Retainer Ø55,00 X Ø90,00 X 12,50mm	2
29	5412050018-2	"T" Nipple	1	64	6020350056-7	Bearing 32210	2
30	6020310808-0	Double Hexagonal Nut 5/8" 18F Unf Gr5 Ch.15/16" H.21,50mm	8	65	6020350080-0	Bearing 30207	2
31	6020310760-1	Hexagonal Nut 5/8" 11F Unc Gr5 Ch.1.1/16" Height 15,00mm	1	66	6020310816-0	Double Conic Hexagonal Nut Of Wheel 9/16" 18F Unf Gr5 Ch.7/8" Height 19,00mm	12
32	6020010414-8	Pressure Washer 3/4" Media Industry	8	67	6020310998-1	Hexagonal Head Bolt 9/16" X 2" 18F Unf1A Gr5 Rp	12
33	6020430194-0	Sphere Valve 1/2" Npt Stauff: Bbvm20080200M / Gemels 1111Ab-	1	68	5204010063-6	Wheel Hub (Spare)	2
34	5024010073-5	Smooth Washer Ø8,5 X Ø20 X 2,00mm	2	69	6020130108-7	Grease Fitting 1/8"	2
35	6020390294-0	Lock Nma - Type "R" Ø3,5 X 67mm(Special)	4	70	KCJTRANLATSPD	Mechanic Lateral Transport Kit	1
36	6020310660-5	Pin Ø28 x 105mm	2				

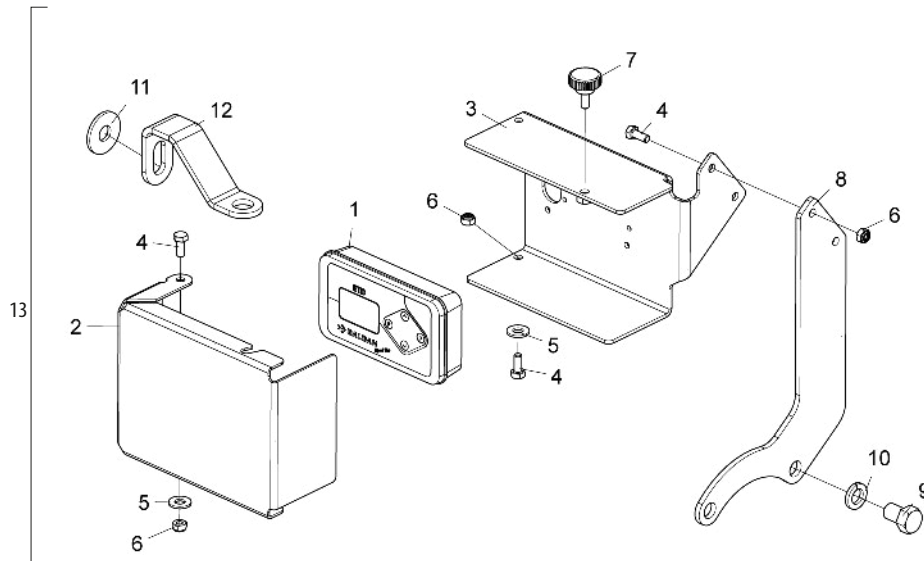
• Lateral Transport Cylinder



For replacement parts, please check the cylinder liner - The Baldan code, the manufacturer's code and name and the date of manufacture.

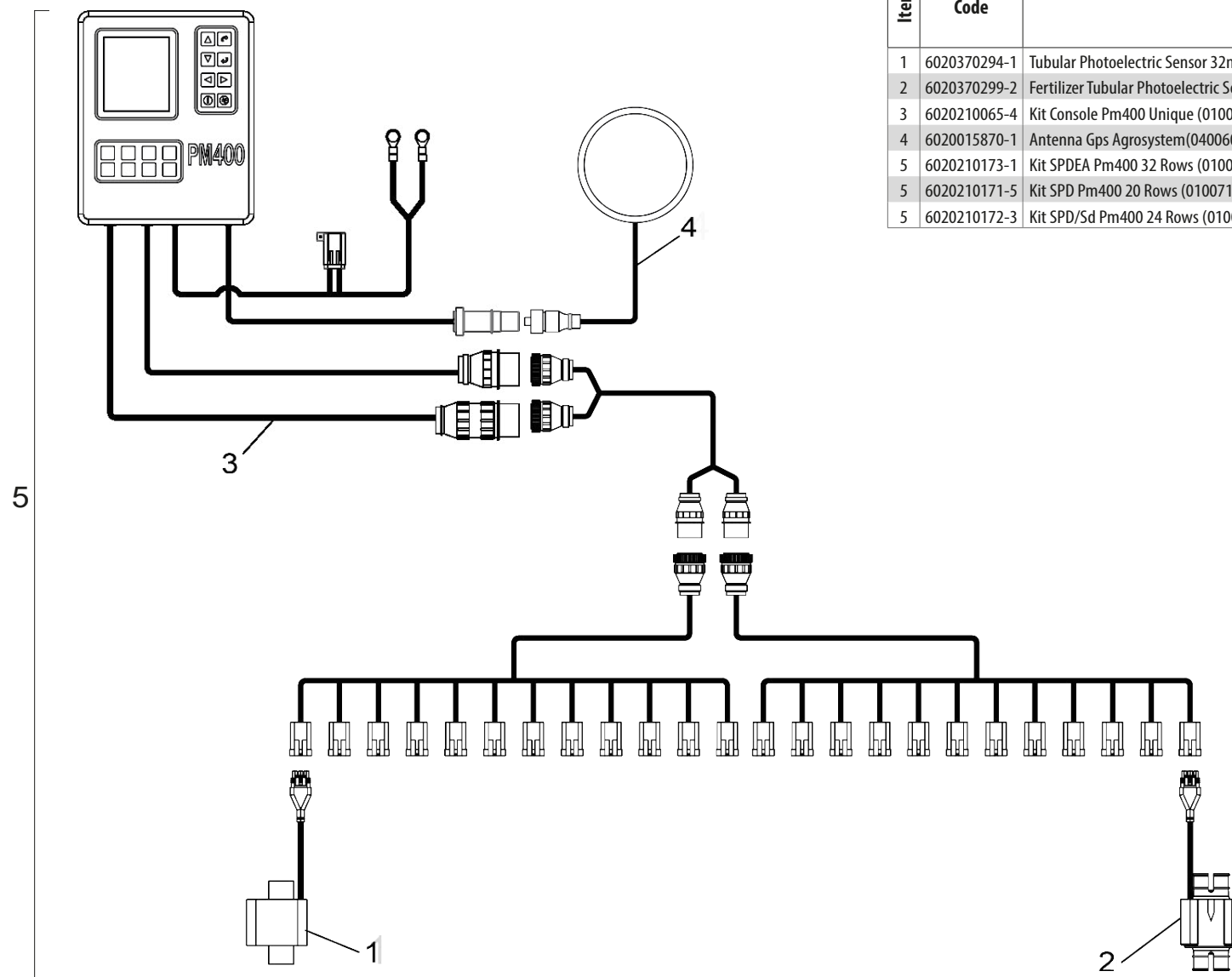
Item	Code	Product description	All
Sealing kitLENIORS			
1	J010510	Gasket Std 2500-2750	2
2		Guide Ring W2-3250-500	1
3		O' Ring 2-126	1
4		Parback 8-336	1
5		Guide Ring 6W8-1875-495	1
6		O' Ring 2-336 (Ø72,39 x Ø5,33mm)	1
7		Cleaner D-1625	1
-	6020190198-0	Repair Kit Leniors J010510	1

• Support for Electronic Dosing Table



Item	Code	Product Description	All
1	6020395116-0	Electronic Dosing Table-ETD Baldan Speed Box(303315023)	1
2	5136018495-5	ETD Protection Plate	1
3	5530017727-0	Etd Fixing Bracket With Nut	1
4	6020310291-0	Hex Head Screw M6 X 1.00 X 15mm Cl8.8 Rt	4
5	6020010431-8	Stainless Steel Flat Washer Ø8.5 X Ø18 X 1.8mm	2
6	6020317442-2	Low Self-Locking Hex Nut W/nylon M6 X 1.00 Ma Cl8 Ch.10mm Height.6.00mm	4
7	6020030001-0	Male "Thermoplastic" Tightening Button R.1/4" Unc X 15mm	1
8	5136018635-4	Etd Speed Box Fixing Plate	1
9	6020311046-7	Hex Head Screw 1/2" X 3/4" 12FW Gr2 Rt	2
10	6020010410-5	1/2" Medium Industrial Pressure Washer	2
11	5024010068-9	Flat washer of Ø13.3 x Ø35.5 x 3.00mm	1
12	5530017709-2	Hall Sensor Support Etd	1
13	5530017708-4	Support For Electronic Dosing Table Spde Complete	-

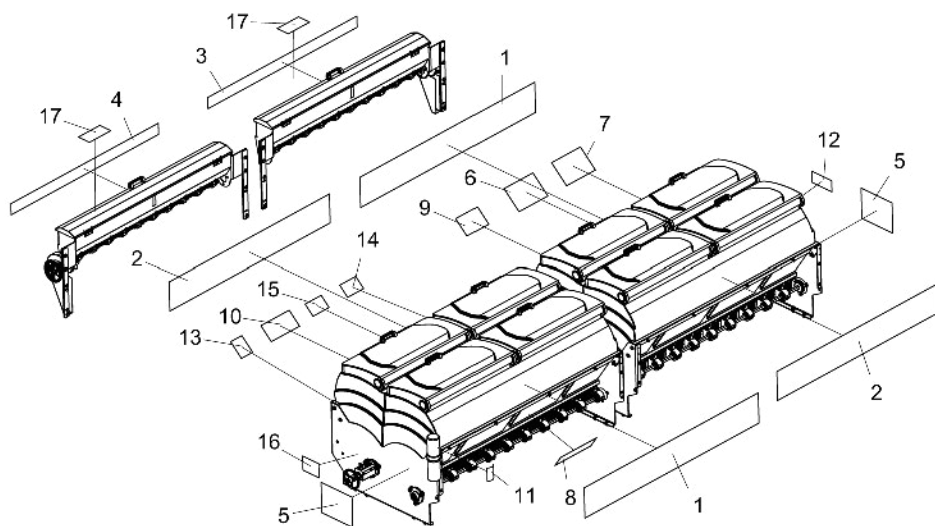
• Electronic System SPDE



Item	Code	Product description	All	SPDE 3000	SPDE 4000	SPDE 5000
1	6020370294-1	Tubular Photoelectric Sensor 32mm(467420730As2)	1			
2	6020370299-2	Fertilizer Tubular Photoelectric Sensor 45mm(030010075)	1			
3	6020210065-4	Kit Console Pm400 Unique (010010046)	1			
4	6020015870-1	Antenna Gps Agrosystem(040060001)	1			
5	6020210173-1	Kit SPDEA Pm400 32 Rows (010071106)		1		
5	6020210171-5	Kit SPD Pm400 20 Rows (010071104)			1	
5	6020210172-3	Kit SPD/Sd Pm400 24 Rows (010071105)				1

*Note: Half of the lines use item 1 and half use item 2.
Ex: On a 24-line machine, 12 pieces of item 1 and 12 pieces of item 2 are required.*

• Stickers



Item	Code	Product description	All	SPDE 3000	SPDE 4000	SPDE 5000	SPDE 3000 C/Cx. Seed Hopper	SPDE 4000 C/Cx. Seed Hopper	SPDE 5000 C/Cx. Seed Hopper
1	6020071654-2	Sticker SPDE Plastic Box Speed Box 3000 (230 X 1350mm)		2					
1	6020080234-1	Sticker Spde-Cxp 3000 (220 x 1350 mm)					2		
1	6020071715-8	Sticker SPDE Plastic Box Speed Box 4000 (230 X1630mm)			2			1	
1	6020071640-2	Sticker SPDE Plastic Box Speed Box 5000 (230 X 1980mm)				2			1
2	6020071655-0	Sticker Baldan (230 X 1350mm)		2					
2	6020080235-0	Sticker Baldan(220 X 1350Mm)					2		
2	6020070537-0	Sticker Baldan (230 X 1630mm)			2			1	
2	6020070538-9	Sticker Baldan (230 X 1980mm)				2			1
3	6020080417-4	Sticker SPDE-3000 Speed Box Baldan "Pasture Seed Hopper" (85 X 2560mm)					1		
3	6020080418-2	Sticker SPDE-4000 Speed Box "Pasture Seed Hopper" (230 X 1395mm)						1	
3	6020080419-0	Sticker SPDE-5000 Speed Box "Pasture Seed Hopper" (230 X 1740mm)							1
4	6020080426-3	Sticker Baldan Pasture Seed Hopper SPDE-4000 (230x 1395mm)						1	
4	6020080427-1	Sticker Baldan Pasture Seed Hopper SPDE-5000 (230x 1740mm)							1
5	6020070790-0	Sticker Logotype Baldan (230 X 280mm)	2						
6	6020070791-8	Sticker Fertilizer Distribution Table SPD-E 31/20 Teeth Spring Pace 1" (180	1						
7	6020070792-6	Sticker Fertilizer Distribution Table SPD-E 20/31 Teeth Spring Pace 1" (180	1						
8	5206010057-8	Sticker Seed Distribution Table SPD/Sa/Sh/Sap(100 X 335mm)	1						
9	5206010304-6	Sticker Change Of Oil For Speed Box(135 X 200mm)	1						
10	5206010285-6	Sticker Speed Box Transmission System (125 X 265mm)	1						
11	5206010221-0	Sticker Instruction Manual Warning (100 X 160mm)	1						
12	5206010311-9	Sticker Row Marker Warning (180 X 100mm)	1						
13	5206010278-3	Sticker For Cleaning The Fertilizer Hopper (105 X 130mm)	1						
14	5206010308-9	Sticker Hydraulic Hoses Warning(150 X 95mm)	1						
15	5206010310-0	Sticker Disc Warning (150 X 95mm)	1						
16	5206010309-7	Sticker Platform Warning (107 X 145mm)	1						
17	5206010163-9	Sticker Psture Seed Distribution Table (100 X 200mm)					1	2	2

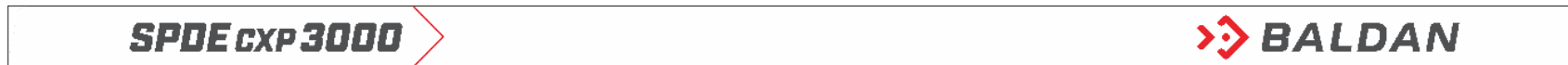
• Stickers



Item 1



Item 2



Item 3



Item 4



Item 5

DISTRIBUICIÓN DE ADUBO - SPDE

Velocidad (km/h)	1	2	3	4	5	6	7	8	9	10	11	12	13	14	15	16	17	18	19	20
1	100	200	300	400	500	600	700	800	900	1000	1100	1200	1300	1400	1500	1600	1700	1800	1900	2000

Item 6

DISTRIBUICIÓN DE ADUBO - SPDE

Velocidad (km/h)	1	2	3	4	5	6	7	8	9	10	11	12	13	14	15	16	17	18	19	20
1	100	200	300	400	500	600	700	800	900	1000	1100	1200	1300	1400	1500	1600	1700	1800	1900	2000

Item 7

CÁLCULO PRÁCTICO PARA ADUBO Y SEMILLA. PRACTICAL CALCULATION FOR FERTILIZER AND SEED. CÁLCULO PRÁTICO PARA ADUBO E SEMEIA.

Velocidad (km/h)	1	2	3	4	5	6	7	8	9	10	11	12	13	14	15	16	17	18	19	20
1	100	200	300	400	500	600	700	800	900	1000	1100	1200	1300	1400	1500	1600	1700	1800	1900	2000

Item 8



Item 9



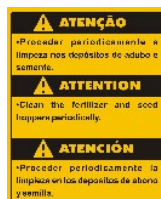
Item 10



Item 11



Item 12



Item 13



Item 14



Item 15



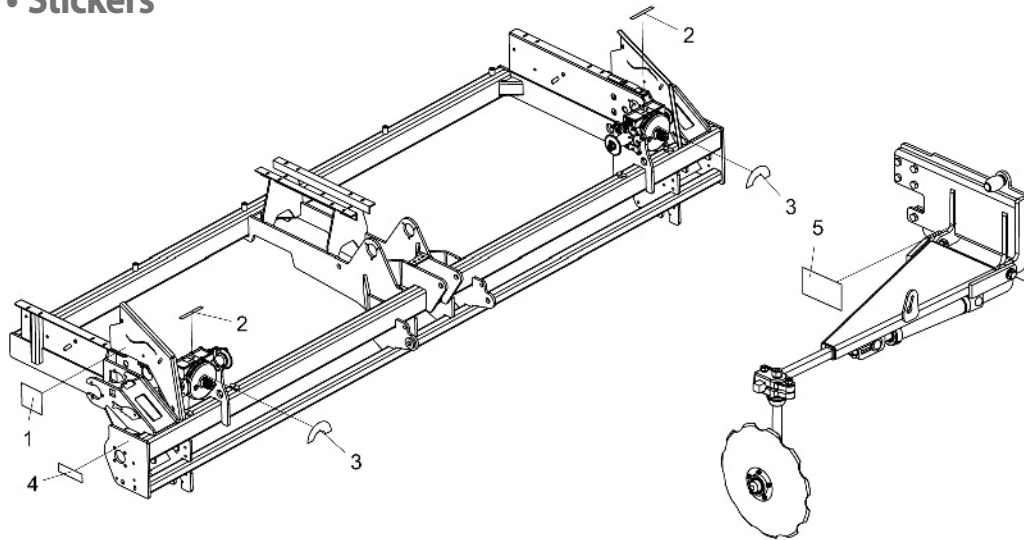
Item 16

DISTRIBUICIÓN DE SEMILLAS FINAS (GRAMA) CON ESPACIAMIENTO DE 170 CM. PRACTICE SEED DISTRIBUTION TABLE (GRAMS) WITH SPACING OF 170CM. TABLA DE DISTRIBUCIÓN DE SEMILLAS FINAS (GRAMATOS) CON ESPACIAMIENTO DE 170CM.

TIPO DE CULTURA / CROPPING / TIPO DE CULTIVO	Número de Semillas / Seeds / Número de Sementes			
	5.5	10	15	20
COLMOBIO	10	20	30	40
BOMBONERA COBRO	10	20	30	40
BOMBONERA BOMBON	10	20	30	40
PARRO	10	20	30	40
TIPO DE CULTURA / CROPPING / TIPO DE CULTIVO				
TIPO DE CULTURA / CROPPING / TIPO DE CULTIVO	Número de Semillas / Seeds / Número de Sementes			
	5.5	10	15	20
BOJA PEREIRA	10	20	30	40
BOJA PEREIRA	10	20	30	40
BOJA PEREIRA	10	20	30	40
BOJA PEREIRA	10	20	30	40

Item 17

• Stickers



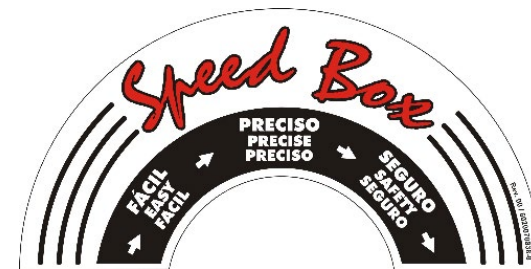
Item	Code	Product description	All
1	5206010307-0	Sticker Of Gear And Chains Warning (145 X 150mm)	1
2	6020070301-7	Sticker For Fertilizer Hopper Speed Box	2
3	6020070838-8	Sticker Speed Box (Easy/Precise/Secure) (200 X 100mm)	2
4	6020070886-8	Sticker Lubricate And Retighten (58 X 195mm)	1
5	5206010311-9	Sticker Row Marker Warning (180 X 100mm)	2



Item 1



Item 2



Item 3



Item 4



Item 5



Avenida Baldan, 1500
Nova Matão
15.993-900
Matão/SP - Brasil
sac@baldan.com.br
export@baldan.com.br

+55 16 3221 6500
baldan.com.br