

Parts Catalog



DCF-CO

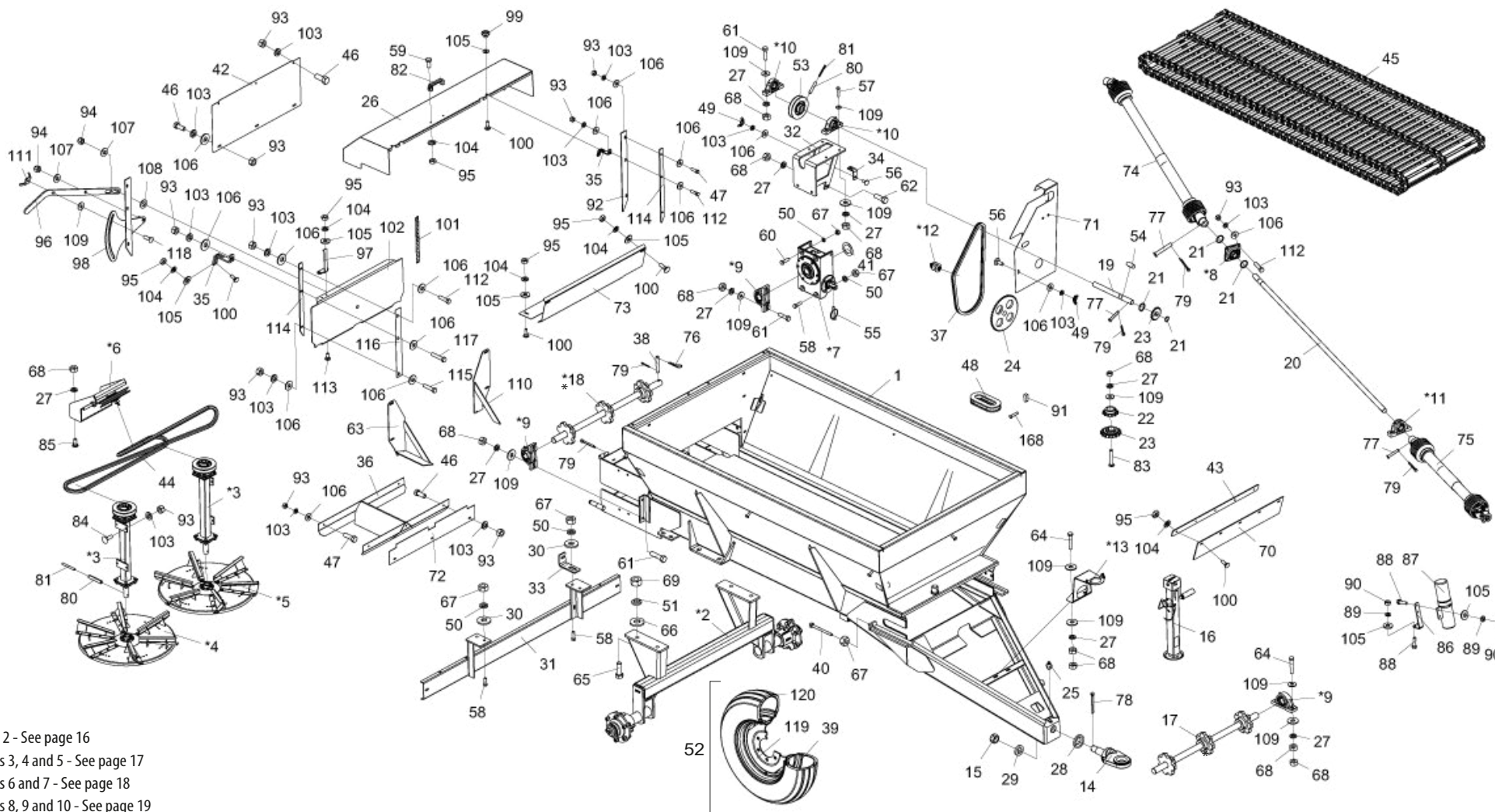
Lime, Fertilizer and Organic Fertilizer Spreader

 **BALDAN**

▪ Index

<i>DCF-CO 3000 W/Cardan System</i>	4
<i>Table DCF-CO 3000 W/Cardan System</i>	5-6
<i>DCF-CO 3000 W/Hydraulic Motor</i>	7
<i>Table DCF-CO 3000 W/Hydraulic Motor</i>	8-9
<i>DCF-CO 6000/8000 W/Cardan System</i>	10
<i>Table DCF-CO 6000/8000 W/Cardan System</i>	11-12
<i>DCF-CO 6000/8000 W/Hydraulic Motor</i>	13
<i>Table DCF-CO 6000/8000 W/Hydraulic Motor</i>	14-15
<i>Wheel Support DCF-CO 3000</i>	16
<i>Wheel Support DCF-CO 6000/8000</i>	16
<i>Complete Support Of Stretcher</i>	17
<i>Complete Lime Distributor Disc</i>	17
<i>Support Of Complete Intermediaty Pulley</i>	18
<i>Transmission Box</i>	18
<i>Complete Bearing F-206</i>	19
<i>Complete Bearing GY 1108 KRRB</i>	19
<i>Complete Bearing GYE 30 KRRB</i>	19
<i>Complete Support Bearing</i>	20
<i>Complete Chain Stretcher</i>	20
<i>Support Of Cardan</i>	20
<i>Complete Front-Rear Shaft</i>	21
<i>Anti-Cavitation Block</i>	21
OPTIONAL	22
<i>Complete Rubber Deflector - Optional for DCF-CO 6000/8000</i>	22
<i>Cardan to Hydraulic Motor Conversion System</i>	23
<i>Direction Box - Optional for All Models</i>	24
<i>Complete Wheel 11x15 BL 10 Ls. - Optional for DCF-CO 3000/6000</i>	24
<i>Stickers</i>	25

• DCF-CO 3000 W/Cardan System



* Item 2 - See page 16

* Items 3, 4 and 5 - See page 17

* Items 6 and 7 - See page 18

* Items 8, 9 and 10 - See page 19

* Items 11, 12 and 13 - See page 20

* Items 17 and 18 - See page 21

• Table DCF-CO 3000 W/Cardan System

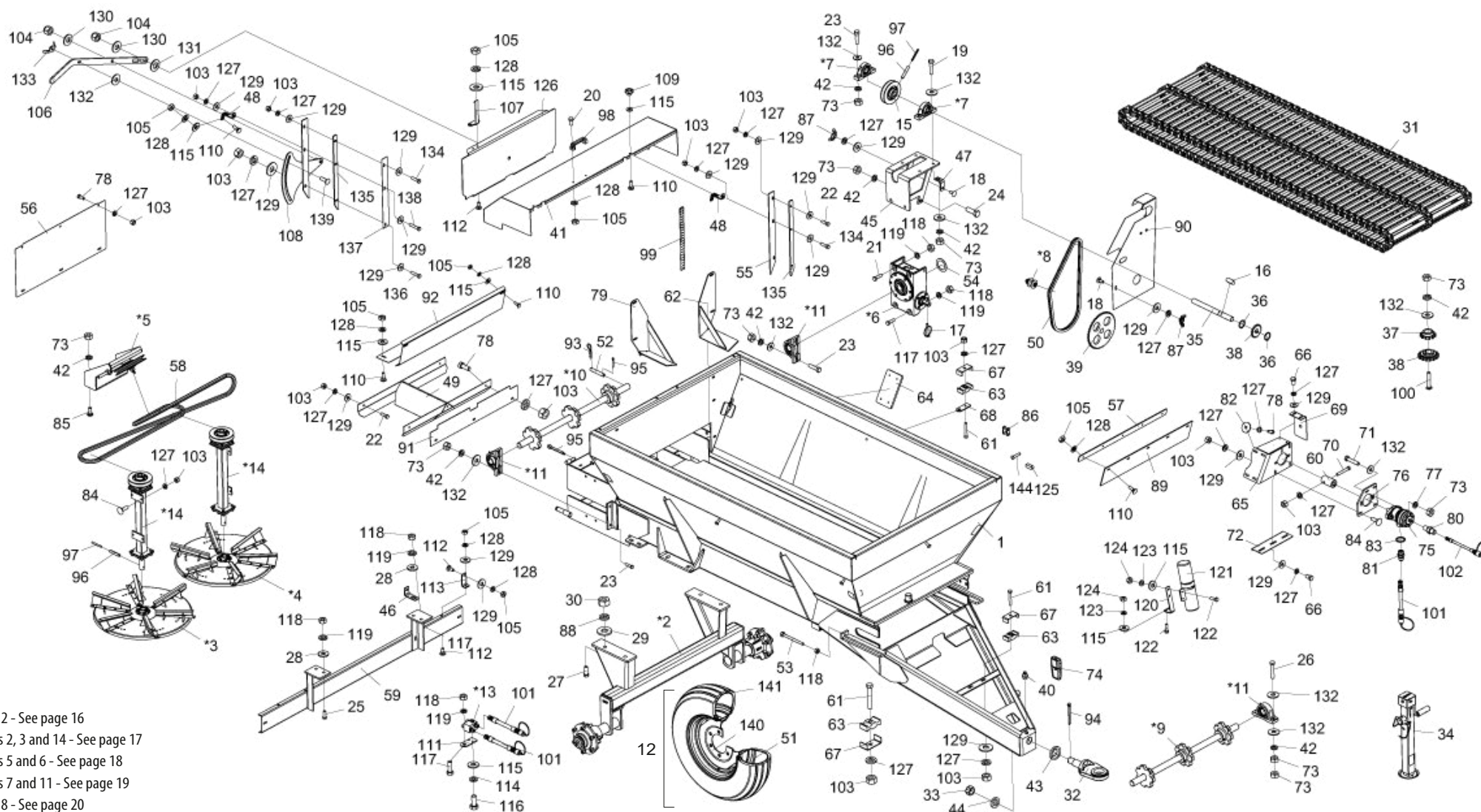
Item	Code	Product description	All	Item	Code	Product description	All
1	5091010128-2	Complete Bucket	1	37	6020050081-7	Chain (Asa 50) 79 Links + Amendment	1
*2	5530016957-0	Wheel Suppot	1	38	5432010908-9	Pin Ø1/2" X 66mm	1
*3	5530011600-0	Complete Support Of Stretcher	2	39	6020050356-5	Inner Tube 750X16	2
*4	5220010097-2	Complete Right Lime Distributor Disc	1	40	6020317392-2	Hexagonal Head Bolt Ø5/8" x 7.1/2" 11F UNC GR5 RT	2
*5	5220010096-4	Complete Left Lime Distributor Disc	1	41	5024010816-7	Washer Ø62 X Ø90 X 2mm	1
*6	5530011595-0	Support Of Complete Intermediaty Pulley	1	42	5136012126-0	Plate Of 820 X 365 X 2,00mm	1
*7	6020059301-7	Transmision Box	1	43	5136017542-5	Plate 800 x 50 x 4.75 mm	1
*8	5368010481-2	Mounted Bearing F-206	1	44	6020051088-0	Belt C-143	1
*9	5368010479-0	Complete Bearing Gy 1108 Krrb	4	45	6020095894-5	Double Transport Belt With 86 Links	1
*10	5368010480-4	Complete Bearing Gye 30 Krrb	2	46	6020310054-2	Hexagonal Head Bolt 3/8" X 1" 16F Unc1A Gr2 Rt	3
*11	5368030012-3	Complete Support Bearing	1	47	6020310026-7	Hexagonal Head Bolt 3/8" X 1.1/4" 16F Unc1A Gr5 Rt	6
*12	5268010245-7	Complete Chain Stretcher	1	48	6020050082-5	Chain (Asa 50) 13 Links + Amendment	1
*13	5530011188-1	Support Of Cardan	1	49	6020030104-0	Nut Ø3/8" 16F Unc	2
14	5332010114-6	Hitch Shakcle	1	50	6020010412-1	Pressure Washer 5/8" Media Industry	8
15	6020310857-8	Nut 1.1/2" 12F Unf Gr2 Ch.2" Height 30,00mm	1	51	6020010414-8	Pressure Washer 3/4" Media Industry	4
16	6020370264-0	Complete Support Of Lifting (Hydraulic Field Jack)	1	52	5498100005-9	Complete Wheel 750 X 16	1
17	5232010751-2	Complete Front Shaft	1	53	5448010039-8	Pulley Ø30 X Ø153,5 X 48,5mm	1
*18	5232012402-6	Complete Rear Shaft	1	54	5140010028-8	Cotter Sq.5/16" X 19mm	1
19	5232190036-4	Shaft Ø30 X 345mm	1	55	6020390292-4	Lock Ø8 X 54mm	1
20	5232010766-0	Shaft Ø30 X 1728mm	1	56	6020311160-9	French Head Bolt 3/8" X 1" 16F Unc1A Gr2 Rt	2
21	6020010263-3	Retaining Oring	4	57	6020311055-6	Hexagonal Head Bolt 1/2" X 2.1/4" 12F W Gr2 Rp	1
22	5256030032-8	Sprocket 12 Teeth	1	58	6020310180-8	Hexagonal Head Bolt 5/8" X 2" 11F Unc1A Gr5 Rp	5
23	5256030033-6	Sprocket 16 Teeth	2	59	6020312020-9	Hexagonal Head Bolt 5/16" X 3/4" 18F Unc1A Gr5 Rt	2
24	5256030045-0	Sprocket 48 Teeth	1	60	6020311075-0	Hexagonal Head Bolt 5/8" X 2.1/4" 11F Unc1A Gr5 Rp	3
25	6020130108-7	Grease Fitting 1/8"	1	61	6020310049-6	Hexagonal Head Bolt 1/2" X 2" 12F W Gr5 Rp	7
26	5464010069-1	Protection Cover	1	62	6020311051-3	Hexagonal Head Bolt 1/2" X 1.1/2" 12F W Gr2 Rt	2
27	6020010410-5	Pressure Washer 1/2" Media Industry	2	63	5530017269-4	Gate Right Support	1
28	5024010327-0	Smooth Washer Ø45 X Ø87 X 12,00mm	1	64	6020311058-0	Hexagonal Head Bolt 1/2" X 2.3/4" 12F W Gr5 Rp	6
29	5024010217-7	Smooth Washer Ø39 X Ø68 X 12,00mm	1	65	6020311094-7	Hexagonal Head Bolt 3/4" X 2.1/4" 10F Unc1A Gr5 Rt	4
30	5024010298-3	Smooth Washer Ø17 X Ø44 X 4,75mm	4	66	5024010007-7	Smooth Washer Ø20,3 X Ø46,5 X 4,75mm	4
31	5530011569-0	Rear Support	1	67	6020310760-1	Hexagonal Nut 5/8" 11F Unc Gr5 Ch.1.1/16" Height 15,00mm	10
32	5530011564-0	Fixation Support Of Bearing	1	68	6020310754-7	Hexagonal Nut 1/2" 12F W Gr5 Ch.7/8" Height 12,00mm	27
33	5530010710-8	Fixation Support Of Cap	1	69	6020310770-9	Hexagonal Nut 3/4" 10F Unc Gr5 Ch.1.7/32" Height 18,50mm	4
34	5530010109-6	Fixation Small Support Of Cap	1	70	5464010581-2	Protector 796 X 152 x 3/16"	1
35	5530011568-2	Protection Support	2	71	5106010082-2	Belt Protector	1
36	5530011570-4	Protect Support	1	72	5464010071-3	Protection 125 X 3/16" X 794mm	1

• Table DCF-CO 3000 W/Cardan System

Item	Code	Product description	All
73	5464010072-1	Internal Protection Of Belt	1
74	6020050161-9	Cardan Cria 302/2 X 302/2 X 900Tb With Cp (Stu)	1
75	6020050178-3	Agricultural Cardan Shaft 790 mm (Closed)	1
76	6020390294-0	Lock Nma - Type "R" Ø3,5 X 67mm(Special)	4
77	6020310827-6	Pin Ø9,10 X 51,85 mm	3
78	6020050118-0	Cotterpin 1/4" X 2.1/2"	1
79	6020050101-5	Cotterpin 1/8" X 1"	9
80	6020310510-2	Heavy Elastic Pin Ø10 X 55mm	3
81	6020310472-6	Heavy Elastic Pin Ø6 X 55mm	3
82	6020010922-0	Nylon Belt Pmc 594 - 132 X 32 mm	1
83	6020310254-5	French Head Bolt 1/2" X 3" 12FW Gr5 Rp	1
84	6020311090-4	French Head Bolt 3/8" X 1.1/4" 16F Unc1A Gr2 Rp	8
85	6020311174-9	French Head Bolt 1/2" X 1.1/4" 12F W Gr2 Rt	4
86	5136018098-4	Fixation Plate of Container	1
87	6020050642-4	Container For Instruction Manual	1
88	6020310019-4	Hexagonal Head Bolt 1/4" X 1" 20F Unc1A Gr2 Rt	4
89	6020010402-4	Pressure Washer 1/4" Media Industry	4
90	6020310742-3	Hexagonal Nut 1/4" 20F Unc Gr5 Ch.7/16" Height 5,50mm	4
91	6020058677-0	Cotter Sq.3/8" x 26mm	1
92	5136017482-8	Guide Plate of Opening Cover	1
93	6020310746-6	Hexagonal Nut 3/8" 16F Unc Gr5 Ch.9/16" Height 8,50mm	2
94	6020310759-8	Self-Locking Nut With Nylon 5/8" 11F Unc Gr5 Ch.15/16" H.19,50mm	2
95	6020310744-0	Hexagonal Nut 5/16" 18F Unc Gr5 Ch.1/2" Height 6,50mm	13
96	5040010921-1	Handle Bar	1
97	5136015953-5	Opening Indicator Plate	1
98	5530017559-6	Handle Support	1
99	6020250453-4	Knob Female Thermoplastic - Thread 5/16" Unc	2
100	6020310161-1	French Head Bolt 5/16" X 1" 18F Unc Gr2 Rt	11
101	6020090569-8	Graduated Scale - 0 To 22	1
102	5538010704-9	Lock W/Pin	1
103	6020010406-7	Pressure Washer 3/8" Media Industry	2
104	6020010404-0	Pressure Washer 5/16" Media Industry	1
105	5024010073-5	Smooth Washer Ø8,5 X Ø20 X 2,00mm	14
106	5024010075-1	Smooth Washer Ø10,3 X Ø25 X 2,00mm	21
107	5024010239-8	Smooth Washer Ø16,5 X Ø37 X 3,00mm	2
108	5024010258-4	Smooth Washer Ø20 X Ø38,5 X 3,00mm	1

Item	Code	Product description	All
109	5024010068-9	Smooth Washer Ø13,3 X Ø35,5 X 3,00mm	23
110	5530017270-8	Gate Left Support	1
111	5558010534-2	Complete Lock	1
112	6020311029-7	Hexagonal Head Bolt 3/8" X 1.1/2" 16F Unc1A Gr5 Rt	6
113	6020310142-5	French Head Bolt 5/16" X 3/4" 18F Unc1A Gr2 Rp	2
114	5530016958-8	Support of Opening Cover	2
115	6020311034-3	Hexagonal Head Bolt 3/8" X 1.3/4" 16F Unc1A Gr2 Rp	2
116	5136018389-4	Guide Plate of Opening Cover	2
117	6020310296-0	Hexagonal Head Bolt 3/8" X 2" 16F Unc1A Gr5 Rp	2
118	6020311175-7	French Head Bolt 1/2" X 1.5/8" 12FW Gr2 Rt	1
119	6020350402-3	Rim 5,5" X 16" 16.392	2
120	6020310406-8	Tyre 750 X 16 X 10 Ply	2

• DCF-CO 3000 W/Hydraulic Motor



- * Item 2 - See page 16
- * Items 2, 3 and 14 - See page 17
- * Items 5 and 6 - See page 18
- * Items 7 and 11 - See page 19
- * Item 8 - See page 20
- * Items 9, 10 and 13 - See page 21

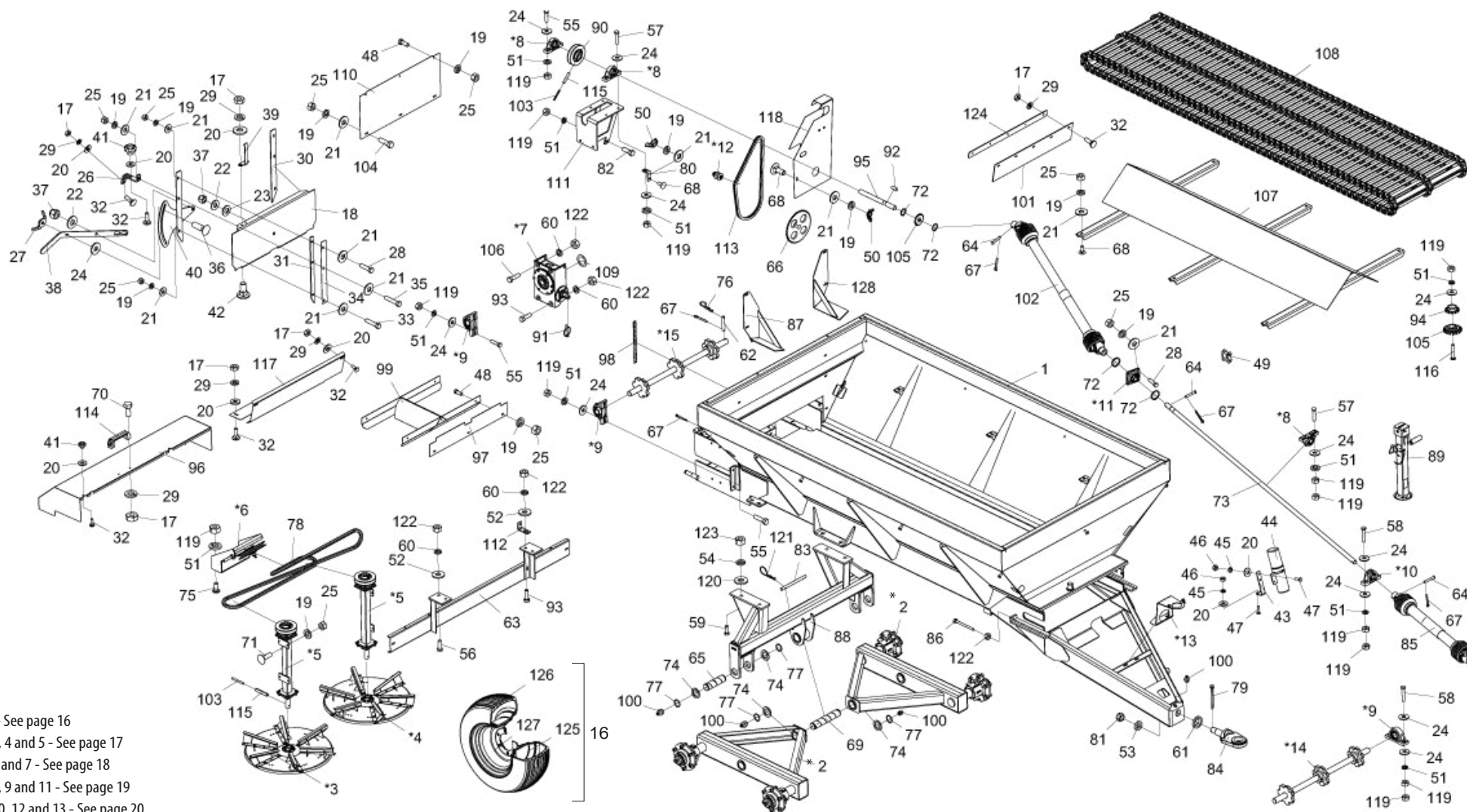
• Table DCF-CO 3000 W/Hydraulic Motor

Item	Code	Product description	All	Item	Code	Product description	All
1	5091010140-1	Complete Bucket	1	37	5256030032-8	Sprocket 12 Teeth	1
*2	5530016957-0	Wheel Suppot	1	38	5256030033-6	Sprocket 16 Teeth	2
*3	5220010097-2	Complete Right Lime Distributor Disc	1	39	5256030045-0	Sprocket 48 Teeth	1
*4	5220010096-4	Complete Left Lime Distributor Disc	1	40	6020130108-7	Grease Fitting 1/8"	1
*5	5530011595-0	Support Of Complete Intermediaty Pulley	1	41	5464010069-1	Protection Cover	1
*6	6020059301-7	Transmision Box	1	42	6020010410-5	Pressure Washer 1/2" Media Industry	20
*7	5368010480-4	Complete Bearing Gye 30 Krrb	2	43	5024010327-0	Smooth Washer Ø45 X Ø87 X 12,00mm	1
*8	5268010245-7	Complete Chain Stretcher	1	44	5024010217-7	Smooth Washer Ø39 X Ø68 X 12,00mm	1
*9	5232010751-2	Complete Front Shaft	1	45	5530011564-0	Fixation Support Of Bearing	1
*10	5232012402-6	Complete Rear Shaft	1	46	5530010710-8	Fixation Support Of Cap	1
*11	5368010479-0	Complete Bearing Gy 1108 Krrb	4	47	5530010109-6	Fixation Small Support Of Cap	1
12	5498100005-9	Complete Wheel 750 X 16	2	48	5530011568-2	Protection Support	2
*13	5056010005-9	Anti-Cavitation Block	1	49	5530011570-4	Protect Support	1
*14	5530011600-0	Complete Support Of Stretcher	2	50	6020050081-7	Chain (Asa 50) 79 Links + Amendment	1
15	5448010039-8	Pulley Ø30 X Ø153,5 X 48,5mm	1	51	6020050356-5	Inner Tube 750X16	2
16	5140010028-8	Cotter Sq,5/16" X 19mm	1	52	5432010908-9	Pin Ø1/2" X 66mm	1
17	6020390292-4	Lock Ø8 X 54mm	1	53	6020317392-2	Hexagonal Head Bolt Ø5/8" x 7.1/2" 11F UNC GR5 RT	2
18	6020311160-9	French Head Bolt 3/8" X 1" 16F Unc1A Gr2 Rt	2	54	5024010816-7	Washer Ø62 X Ø90 X 2mm	1
19	6020311055-6	Hexagonal Head Bolt 1/2" X 2.1/4" 12F W Gr2 Rp	1	55	5136017482-8	Guide Plate of Opening Cover	2
20	6020312020-9	Hexagonal Head Bolt 5/16" X 3/4" 18F Unc1A Gr5 Rt	2	56	5136012126-0	Plate Of 820 X 365 X 2,00mm	1
21	6020311075-0	Hexagonal Head Bolt 5/8" X 2.1/4" 11F Unc1A Gr5 Rp	2	57	5136017542-5	Plate 800 x 50 x 4.75 mm	1
22	6020310296-0	Hexagonal Head Bolt 3/8" X 2" 16F Unc1A Gr5 Rp	2	58	6020051088-0	Belt C-143	1
23	6020310049-6	Hexagonal Head Bolt 1/2" X 2" 12F W Gr5 Rp	7	59	5530011569-0	Rear Support	1
24	6020311051-3	Hexagonal Head Bolt 1/2" X 1.1/2" 12F W Gr2 Rt	2	60	5080011857-0	Motor Coupling Bushing	1
25	6020310180-8	Hexagonal Head Bolt 5/8" X 2" 11F Unc1A Gr5 Rp	4	61	6020311037-8	Hexagonal Head Bolt 3/8" X 2.1/2" 16F Unc1A Gr2 Rp	3
26	6020311058-0	Hexagonal Head Bolt 1/2" X 2.3/4" 12F W Gr5 Rp	4	62	5530017270-8	Gate Left Support	1
27	6020311094-7	Hexagonal Head Bolt 3/4" X 2.1/4" 10F Unc1A Gr5 Rt	4	63	6020010723-6	Clamp (Ag3)	3
28	5024010298-3	Smooth Washer Ø17 X Ø44 X 4,75mm	4	64	5136017891-2	Plate 222 X 130 X 12,5mm	1
29	5024010007-7	Smooth Washer Ø20,3 X Ø46,5 X 4,75mm	4	65	5530017344-5	Hydraulic Motor Fixation Support	1
30	6020310770-9	Hexagonal Nut 3/4" 10F Unc Gr5 Ch.1.7/32" Height 18,50mm	4	66	6020311030-0	Hexagonal Head Bolt 3/8" X 5/8" 16F Unc1A Gr2 Rt	4
31	6020095894-5	Double Transport Belt With 86 Links	1	67	5068010160-1	Clamp	3
32	5332010114-6	Hitch Shakcle	1	68	5530017331-3	Hose Lateral Support	1
33	6020310857-8	Nut 1.1/2" 12F Unf Gr2 Ch.2" Height 30,00mm	1	69	5464010592-8	Motor Shaft Protection	1
34	6020370264-0	Complete Support Of Lifting (Hydraulic Field Jack)	1	70	6020312519-7	Hexagonal Head Bolt 3/8" X 2.3/4" 16F Unc1A Gr5 Rp	1
35	5232190036-4	Shaft Ø30 X 345mm	1	71	6020312300-3	Hexagonal Head Bolt 1/2" X 2.1/2" 12F W Gr5 Rp	2
36	6020010263-3	Retaining Oring	2	72	5464010594-4	Lower protection of Hydraulic Motor	1

• Table DCF-CO 3000 W/Hydraulic Motor

Item	Code	Product description	All	Item	Code	Product description	All
73	6020310754-7	Hexagonal Nut 1/2" 12F W Gr5 Ch.7/8" Height 12,00mm	25	109	6020250453-4	Knob Female Thermoplastic - Thread 5/16" Unc	2
74	6020395112-7	Tachometer	1	110	6020310161-1	French Head Bolt 5/16" X 1" 18F Unc Gr2 Rt	11
75	6020251739-3	Motor Omr-80-Cil A2-7/8-7/16(151-7241)	1	111	5530017430-1	Hose Lateral Support	1
76	5136017893-9	Fixation Plate of Hydraulic Motor	1	112	6020310142-5	French Head Bolt 5/16" X 3/4" 18F Unc1A Gr2 Rp	2
77	6020010395-8	Pressure Washer M12 Media	1	113	5530017431-0	Cover Fixation Support	1
78	6020310054-2	Hexagonal Head Bolt 3/8" X 1" 16F Unc1A Gr2 Rt	10	114	6020040004-5	Pressure Washer M8 Media	2
79	5530017269-4	Gate Right Support	1	115	5024010073-5	Smooth Washer Ø8,5 X Ø20 X 2,00mm	14
80	5412010290-0	Nipple R.1/4" Bsp X M12 X 1,5 X 35mm - Hexagonal 5/8"	1	116	6020311269-9	Hexagonal Head Bolt M8 X 1,25 X 20mm Cl8.8 Rt	2
81	5412010058-3	Nipple R.1/2" Bsp(G) X R.7/8" Unf X 47mm With Hexagonal 1"	2	117	6020310180-8	Hexagonal Head Bolt 5/8" X 2" 11F Unc1A Gr5 Rp	1
82	5024010013-1	Smooth Washer Ø10,6 X Ø44 X 3,00mm	4	118	6020310760-1	Hexagonal Nut 5/8" 11F Unc Gr5 Ch.1.1/16" Height 15,00mm	10
83	6020010063-0	O'Ring 2-116 N3006-90Nbr (18,72)	2	119	6020010412-1	Pressure Washer 5/8" Media Industry	8
84	6020311090-4	French Head Bolt 3/8" X 1.1/4" 16F Unc1A Gr2 Rp	12	120	5136018098-4	Fixation Plate of Container	1
85	6020311174-9	French Head Bolt 1/2" X 1.1/4" 12F W Gr2 Rt	4	121	6020050642-4	Container For Instruction Manual	1
86	6020090480-2	Chain T-26 C-2050	2	122	6020310019-4	Hexagonal Head Bolt 1/4" X 1" 20F Unc1A Gr2 Rt	4
87	6020030104-0	Nut Ø3/8" 16F Unc	2	123	6020010402-4	Pressure Washer 1/4" Media Industry	4
88	6020010414-8	Pressure Washer 3/4" Media Industry	4	124	6020310742-3	Hexagonal Nut 1/4" 20F Unc Gr5 Ch.7/16" Height 5,50mm	4
89	5464010581-2	Protector 796 X 152 x 3/16"	1	125	6020058677-0	Cotter Sq.3/8" x 26mm	1
90	5106010189-6	Belt Protection Cover	1	126	5538010704-9	Lock W/Pin	1
91	5464010071-3	Protection 125 X 3/16" X 794mm	1	127	6020010406-7	Pressure Washer 3/8" Media Industry	41
92	5464010072-1	Internal Protection Of Belt	1	128	6020010404-0	Pressure Washer 5/16" Media Industry	13
93	6020390294-0	Lock Nma - Type "R" Ø3,5 X 67mm(Special)	4	129	5024010075-1	Smooth Washer Ø10,3 X Ø25 X 2,00mm	29
94	6020050118-0	Cotterpin 1/4" X 2.1/2"	1	130	5024010239-8	Smooth Washer Ø16,5 X Ø37 X 3,00mm	2
95	6020050101-5	Cotterpin 1/8" X 1"	3	131	5024010258-4	Smooth Washer Ø20 X Ø38,5 X 3,00mm	1
96	6020310510-2	Heavy Elastic Pin Ø10 X 55mm	3	132	5024010068-9	Smooth Washer Ø13,3 X Ø35,5 X 3,00mm	20
97	6020310472-6	Heavy Elastic Pin Ø6 X 55mm	3	133	5558010534-2	Complete Lock	1
98	6020010922-0	Nylon Belt Pmc 594 - 132 X 32 mm	1	134	6020311034-3	Hexagonal Head Bolt 3/8" X 1.3/4" 16F Unc1A Gr2 Rp	2
99	6020090569-8	Graduated Scale - 0 To 22	1	135	5530016958-8	Support of Opening Cover	2
100	6020311057-2	Hexagonal Head Bolt 1/2" X 3" 12F W Gr5 Rp	1	136	6020311034-3	Hexagonal Head Bolt 3/8" X 1.3/4" 16F Unc1A Gr2 Rp	2
101	5372011064-0	Hose Ø1/2" X 5400mm With 1Trg And 1Trf With Male Quickly Coupling	2	137	5136018389-4	Guide Plate of Opening Cover	1
102	5372011158-2	Hose Ø1/4" X 4700mm With 1Trg And 1Trf With Male Quickly Coupling	1	138	6020310296-0	Hexagonal Head Bolt 3/8" X 2" 16F Unc1A Gr5 Rp	1
103	6020310746-6	Hexagonal Nut 3/8" 16F Unc Gr5 Ch.9/16" Height 8,50mm	31	139	6020311175-7	French Head Bolt 1/2" X 1.5/8" 12F W Gr2 Rt	1
104	6020310759-8	Self-Locking Nut With Nylon 5/8" 11F Unc Gr5 Ch.15/16" H.19,50mm	2	140	6020350402-3	Rim 5,5" X 16" 16.392	2
105	6020310744-0	Hexagonal Nut 5/16" 18F Unc Gr5 Ch.1/2" Height 6,50mm	13	141	6020310406-8	Tyre 750 X 16 X 10 Ply	2
106	5040010921-1	Handle Bar	1				
107	5136015953-5	Opening Indicator Plate	1				
108	5530017559-6	Handle Support	1				

• DCF-CO 6000/8000 W/Cardan System



- * Item 2 - See page 16
- * Items 3, 4 and 5 - See page 17
- * Items 6 and 7 - See page 18
- * Items 8, 9 and 11 - See page 19
- * Items 10, 12 and 13 - See page 20
- * Items 14 and 15 - See page 21

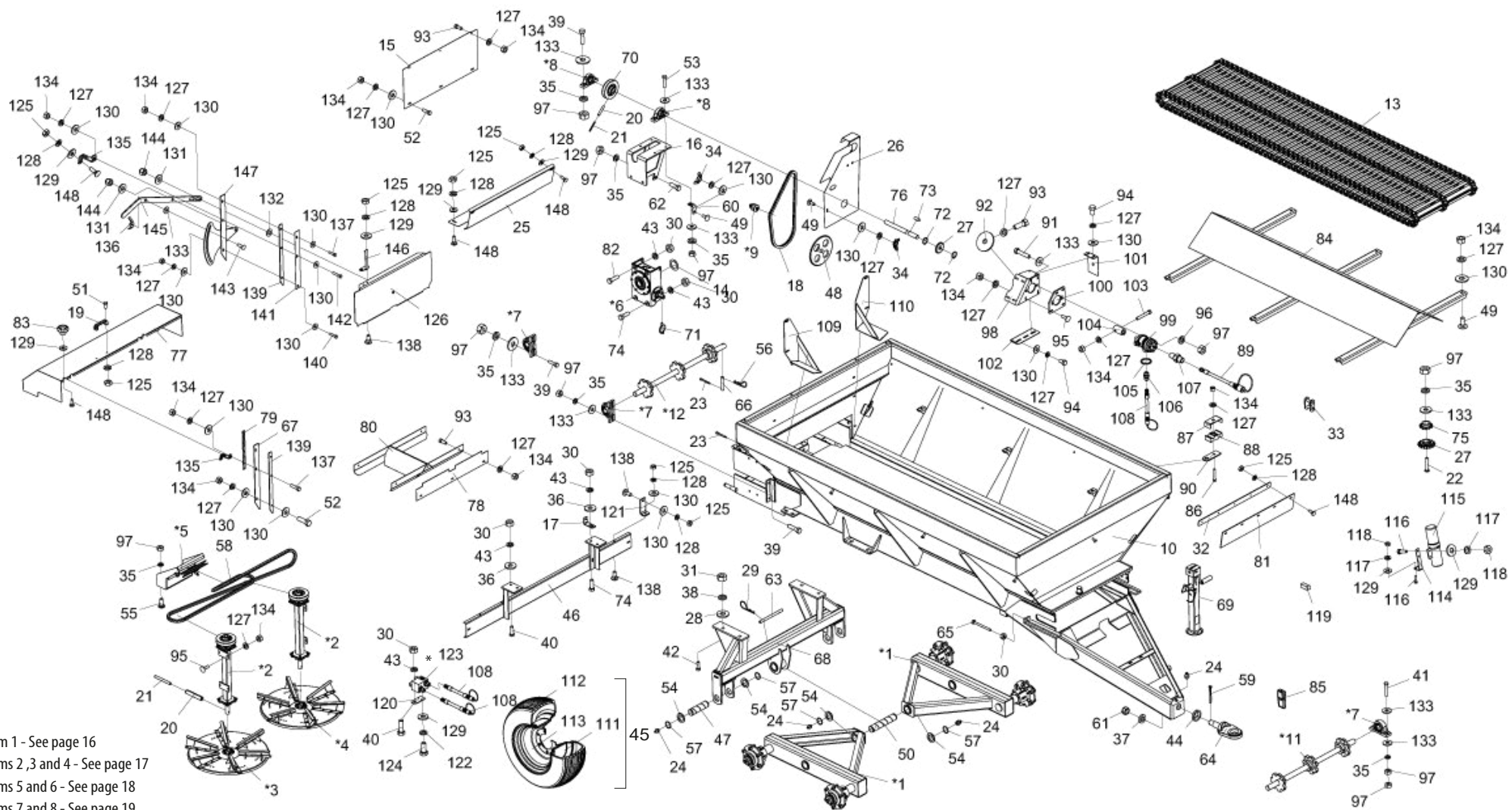
• Table DCF-CO 6000/8000 W/Cardan System

Item	Code	Product description	All	DCF-CO 6000	DCF-CO 8000	Item	Code	Product description	All	DCF-CO 6000	DCF-CO 8000
*1	5091010125-8	Complete Bucket			1	35	6020310296-0	Hexagonal Head Bolt 3/8" X 2" 16F Unc1A Gr5 Rp	1		
*1	5091010126-6	Complete Bucket		1		36	6020311175-7	French Head Bolt 1/2" X 1.5/8" 12FW Gr2 Rt	1		
*2	5530016954-5	Complete Wheel Support	2			37	6020310759-8	Self-Locking Nut With Nylon 5/8" 11F Unc Gr5 Ch.15/16" H.19,50mm	2		
*3	5220010097-2	Complete Right Lime Distributor Disc	1			38	5040010921-1	Handle Bar	1		
*4	5220010096-4	Complete Left Lime Distributor Disc	1			39	5136015953-5	Opening Indicator Plate	1		
*5	5530011600-0	Complete Support Of Stretcher	2			40	5530017559-6	Handle Support	1		
*6	5530011595-0	Support Of Complete Intermediaty Pulley	1			41	6020250453-4	Knob Female Thermoplastic - Thread 5/16" Unc	2		
*7	6020059301-7	Transmission Box	1			42	6020310142-5	French Head Bolt 5/16" X 3/4" 18F Unc1A Gr2 Rp	2		
*8	5368010480-4	Complete Bearing Gye 30 Krrb	3			43	5136018098-4	Fixation Plate of Container	1		
*9	5368010479-0	Complete Bearing Gy 1108 Krrb	4			44	6020050642-4	Container For Instruction Manual	1		
*10	5368030012-3	Complete Support Bearing	1			45	6020010402-4	Pressure Washer 1/4" Media Industry	4		
*11	5368010481-2	Mounted Bearing F-206	1			46	6020310742-3	Hexagonal Nut 1/4" 20F Unc Gr5 Ch.7/16" Height 5,50mm	4		
*12	5268010245-7	Complete Chain Stretcher	1			47	6020310019-4	Hexagonal Head Bolt 1/4" X 1" 20F Unc1A Gr2 Rt	4		
*13	5530011188-1	Support Of Cardan	1			48	6020310054-2	Hexagonal Head Bolt 3/8" X 1" 16F Unc1A Gr2 Rt	6		
*14	5232010751-2	Complete Front Shaft	1			49	6020090480-2	Chain T-26 C-2050	2		
*15	5232012402-6	Complete Rear Shaft	1			50	6020030104-0	Nut Ø3/8" 16F Unc	1		
16	5498100005-9	Complete Wheel 750 X 16		4		51	6020010410-5	Pressure Washer 1/2" Media Industry	23		
16	5498100072-5	Complete Wheel 11 X 15 - Bl 10 Ply			4	52	5024010298-3	Smooth Washer Ø17 X Ø44 X 4,75mm	4		
17	6020310744-0	Hexagonal Nut 5/16" 18F Unc Gr5 Ch.1/2" Height 6,50mm	13			53	5024010217-7	Smooth Washer Ø39 X Ø68 X 12,00mm	1		
18	5538010704-9	Lock W/Pin	1			54	6020010414-8	Pressure Washer 3/4" Media Industry	4		
19	6020010406-7	Pressure Washer 3/8" Media Industry	35			55	6020310049-6	Hexagonal Head Bolt 1/2" X 2" 12F W Gr5 Rp			7
20	5024010073-5	Smooth Washer Ø8,5 X Ø20 X 2,00mm	14			55	6020311054-8	Hexagonal Head Bolt 1/2" X 2" 12F W Gr2 Rp	7		
21	5024010075-1	Smooth Washer Ø10,3 X Ø25 X 2,00mm	27			56	6020310180-8	Hexagonal Head Bolt 5/8" X 2" 11F Unc1A Gr5 Rp	4		
22	5024010239-8	Smooth Washer Ø16,5 X Ø37 X 3,00mm	1			57	6020311055-6	Hexagonal Head Bolt 1/2" X 2.1/4" 12F W Gr2 Rp	3		
23	5024010258-4	Smooth Washer Ø20 X Ø38,5 X 3,00mm	1			58	6020311058-0	Hexagonal Head Bolt 1/2" X 2.3/4" 12F W Gr5 Rp	6		
24	5024010068-9	Smooth Washer Ø13,3 X Ø35,5 X 3,00mm	25			59	6020311094-7	Hexagonal Head Bolt 3/4" X 2.1/4" 10F Unc1A Gr5 Rt	4		
25	6020310746-6	Hexagonal Nut 3/8" 16F Unc Gr5 Ch.9/16" Height 8,50mm	33			60	6020010412-1	Pressure Washer 5/8" Media Industry	8		
26	5530011568-2	Protection Support	2			61	5024010327-0	Smooth Washer Ø45 X Ø87 X 12,00mm	1		
27	5558010534-2	Complete Lock	1			62	5432010908-9	Pin Ø1/2" X 66mm	1		
28	6020311034-3	Hexagonal Head Bolt 3/8" X 1.3/4" 16F Unc1A Gr2 Rp	1			63	5530011569-0	Rear Support	1		
29	6020010404-0	Pressure Washer 5/16" Media Industry	13			64	6020310827-6	Pin Ø9,10 X 51,85 mm	3		
30	5136017482-8	Guide Plate of Opening Cover	2			65	5232190008-9	Shaft Ø50 X 180mm	2		
31	5530016958-8	Support of Opening Cover	2			66	5256030045-0	Sprocket 48 Teeth	1		
32	6020310161-1	French Head Bolt 5/16" X 1" 18F Unc Gr2 Rt	11			67	6020050101-5	Cotterpin 1/8" X 1"	9		
33	6020311034-3	Hexagonal Head Bolt 3/8" X 1.3/4" 16F Unc1A Gr2 Rp		5	7	68	6020311160-9	French Head Bolt 3/8" X 1" 16F Unc1A Gr2 Rt	8		
34	5136018389-4	Guide Plate of Opening Cover	2			69	5232190009-7	Shaft Ø50 X 266mm	1		

• Table DCF-CO 6000/8000 W/Cardan System

Item	Code	Product description	All	DCF-CO 6000	DCF-CO 8000	Item	Code	Product description	All	DCF-CO 6000	DCF-CO 8000
70	6020312020-9	Hexagonal Head Bolt 5/16" X 3/4" 18F Unc1A Gr5 Rt	2			105	5256030033-6	Sprocket 16 Teeth	2		
71	6020311090-4	French Head Bolt 3/8" X 1.1/4" 16F Unc1A Gr2 Rp	8			106	6020311075-0	Hexagonal Head Bolt 5/8" X 2.1/4" 11F Unc1A Gr5 Rp	2		
72	6020010263-3	Retaining Oring	4			107	5207010003-7	Transport Belt	1		
73	5232010755-5	Shaft Ø30 X 2398mm	1			108	6020090566-3	Double Transport Belt With 111 Links	1		
74	5024010222-3	Smooth Washer Ø50,5 X Ø76 X 6.30mm	6			109	5024010816-7	Washer Ø62 X Ø90 X 2mm	1		
75	6020311174-9	French Head Bolt 1/2" X 1.1/4" 12F W Gr2 Rt	4			110	5136012126-0	Plate Of 820 X 365 X 2,00mm	1		
76	6020390294-0	Lock Nma - Type "R" Ø3,5 X 67mm(Special)	4			111	5530011564-0	Fixation Support Of Bearing	1		
77	6020010294-3	Retaining Ring E-50	6			112	5530010710-8	Fixation Support Of Cap	1		
78	6020051088-0	Belt C-143	1			113	6020050081-7	Chain (Asa 50) 79 Links + Amendment	1		
79	6020050118-0	Cotterpin 1/4" X 2.1/2"	1			114	6020010922-0	Nylon Belt Pmc 594 - 132 X 32 mm	1		
80	5530010109-6	Fixation Small Support Of Cap	1			115	6020310510-2	Heavy Elastic Pin Ø10 X 55mm	3		
81	6020310857-8	Nut 1.1/2" 12F Unf Gr2 Ch.2" Height 30,00mm	1			116	6020310254-5	French Head Bolt 1/2" X 3" 12F W Gr5 Rp		1	
82	6020311051-3	Hexagonal Head Bolt 1/2" X 1.1/2" 12F W Gr2 Rt	2			116	6020317484-8	French Head Bolt 1/2" X 4" 12F W Gr2 Rp			1
83	5432010763-9	Lock Pin of Wheel Support	1			117	5464010072-1	Internal Protection Of Belt	1		
84	5332010018-2	Spare Hitch Shackle	1			118	5106010082-2	Belt Protector	1		
85	6020050178-3	Agricultural Cardan Shaft 790 mm (Closed)	1			119	6020310754-7	Hexagonal Nut 1/2" 12F W Gr5 Ch.7/8" Height 12,00mm	31		
86	6020312093-4	Hexagonal Head Bolt 5/8" X 7.1/2" 11F Unc Gr5 Rp	2			120	5024010007-7	Smooth Washer Ø20,3 X Ø46,5 X 4,75mm	4		
87	5530017269-4	Gate Right Support	1			121	6020390296-7	Lock Nma - Type "R" Ø2,0 X 59mm(Bichromatized)	2		
88	5530016956-1	Wheel Support	1			122	6020310760-1	Hexagonal Nut 5/8" 11F Unc Gr5 Ch.1.1/16" Height 15,00mm	10		
89	6020370264-0	Complete Support Of Lifting (Hydraulic Field Jack)	1			123	6020310770-9	Hexagonal Nut 3/4" 10F Unc Gr5 Ch.1.7/32" Height 18,50mm	4		
90	5448010039-8	Pulley Ø30 X Ø153,5 X 48,5mm	1			124	5136017542-5	Plate 800 x 50 x 4.75 mm	1		
91	6020390292-4	Lock Ø8 X 54mm	1			125	6020050356-5	Inner Tube 750X16		4	
92	5140010028-8	Cotter Sq.5/16" X 19mm	1			125	6020050362-0	Inner Tube Pa 15/16			4
93	6020310180-8	Hexagonal Head Bolt 5/8" X 2" 11F Unc1A Gr5 Rp	5			126	6020310406-8	Tyre 750 X 16 X 10 Ply		4	
94	5256030032-8	Sprocket 12 Teeth	1			126	6020310413-0	Tyre 11X15 BI 10Ply			4
95	5232190036-4	Shaft Ø30 X 345mm	1			127	6020350397-3	Rim 10.0 Ply x15" (Wheel 11X15)			4
96	5464010069-1	Protection Cover	1			127	6020350402-3	Rim 5,5" X 16" 16.392		4	
97	5464010071-3	Protection 125 X 3/16" X 794mm	1			128	5530017270-8	Gate Left Support	1		
98	6020090569-8	Graduated Scale - 0 To 22	1								
99	5530011570-4	Protect Support	1								
100	6020130108-7	Grease Fitting 1/8"	5								
101	5464010581-2	Protector 796 X 152 x 3/16"	1								
102	6020050161-9	Cardan Cria 302/2 X 302/2 X 900Tb With Cp (Stu)	1								
103	6020310472-6	Heavy Elastic Pin Ø6 X 55mm	3								
104	6020310026-7	Hexagonal Head Bolt 3/8" X 1.1/4" 16F Unc1A Gr5 Rt		7	5						

• DCF-CO 6000/8000 W/Hydraulic Motor



- * Item 1 - See page 16
- * Items 2,3 and 4 - See page 17
- * Items 5 and 6 - See page 18
- * Items 7 and 8 - See page 19
- * Item 9 - See page 20
- * Items 11, 12 and 123 - See page 21

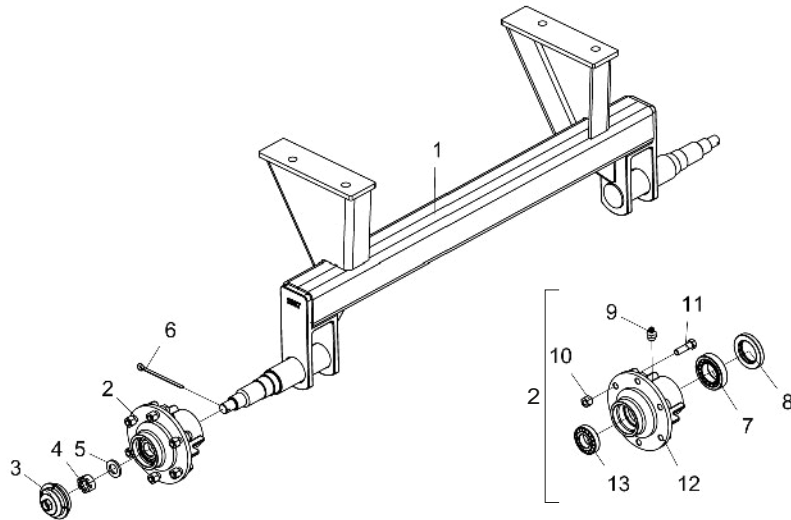
• Table DCF-CO 6000/8000 W/Hydraulic Motor

Item	Code	Product description	All	DCF-CO 6000	DCF-CO 8000	Item	Code	Product description	All	DCF-CO 6000	DCF-CO 8000
*1	5530016954-5	Complete Wheel Support	2			39	6020310049-6	Hexagonal Head Bolt 1/2" X 2" 12F W Gr5 Rp	7		
*2	5530011600-0	Complete Support Of Stretcher	2			40	6020310180-8	Hexagonal Head Bolt 5/8" X 2" 11F Unc1A Gr5 Rp	4		
*3	5220010097-2	Complete Right Lime Distributor Disc	1			41	6020311058-0	Hexagonal Head Bolt 1/2" X 2.3/4" 12F W Gr5 Rp	4		
*4	5220010096-4	Complete Left Lime Distributor Disc	1			42	6020311094-7	Hexagonal Head Bolt 3/4" X 2.1/4" 10F Unc1A Gr5 Rt	4		
*5	5530011595-0	Support Of Complete Intermediaty Pulley	1			43	6020010412-1	Pressure Washer 5/8" Media Industry	8		
*6	6020059301-7	Transmission Box	1			44	5024010327-0	Smooth Washer Ø45 X Ø87 X 12,00mm	1		
*7	5368010479-0	Complete Bearing Gy 1108 Krrb	4			45	5498100005-9	Complete Wheel 750 X 16		4	
*8	5368010480-4	Complete Bearing Gye 30 Krrb	2			45	5498100072-5	Complete Wheel 11 X 15 - Bl 10 Ply			4
*9	5268010245-7	Complete Chain Stretcher	1			46	5530011569-0	Rear Support	1		
10	5091010139-8	Complete Bucket		1		47	5232190008-9	Shaft 050 X 180mm	2		
10	5091010138-0	Complete Bucket			1	48	5256030045-0	Sprocket 48 Teeth	1		
*11	5232010751-2	Complete Front Shaft	1			49	6020311160-9	French Head Bolt 3/8" X 1" 16F Unc1A Gr2 Rt	8		
*12	5232012402-6	Complete Rear Shaft	1			50	5232190009-7	Shaft 050 X 266mm	1		
13	6020090566-3	Double Transport Belt With 111 Links	1			51	6020312020-9	Hexagonal Head Bolt 5/16" X 3/4" 18F Unc1A Gr5 Rt	2		
14	5024010816-7	Washer Ø62 X Ø90 X 2mm	1			52	6020310026-7	Hexagonal Head Bolt 3/8" X 1.1/4" 16F Unc1A Gr5 Rt	5		
15	5136012126-0	Plate Of 820 X 365 X 2,00mm	1			53	6020311055-6	Hexagonal Head Bolt 1/2" X 2.1/4" 12F W Gr2 Rp	1		
16	5530011564-0	Fixation Support Of Bearing	1			54	5024010222-3	Smooth Washer Ø50,5 X Ø76 X 6.30mm	6		
17	5530010710-8	Fixation Support Of Cap	1			55	6020311174-9	French Head Bolt 1/2" X 1.1/4" 12F W Gr2 Rt	4		
18	6020050081-7	Chain (Asa 50) 79 Links + Amendment	1			56	6020390294-0	Lock Nma - Type "R" Ø3,5 X 67mm(Special)	4		
19	6020010922-0	Nylon Belt Pmc 594 - 132 X 32 mm	1			57	6020010294-3	Retaining Ring E-50	6		
20	6020310510-2	Heavy Elastic Pin Ø10 X 55mm	3			58	6020051088-0	Belt C-143	1		
21	6020310472-6	Heavy Elastic Pin Ø6 X 55mm	3			59	6020050118-0	Cotterpin 1/4" X 2.1/2"	1		
22	6020311057-2	Hexagonal Head Bolt 1/2" X 3" 12F W Gr5 Rp	1			60	5530010109-6	Fixation Small Support Of Cap	1		
23	6020050101-5	Cotterpin 1/8" X 1"		3	4	61	6020310857-8	Nut 1.1/2" 12F Unf Gr2 Ch.2" Height 30,00mm	1		
24	6020130108-7	Grease Fitting 1/8"	5			62	6020311051-3	Hexagonal Head Bolt 1/2" X 1.1/2" 12F W Gr2 Rt	2		
25	5464010072-1	Internal Protection Of Belt	1			63	5432010763-9	Lock Pin of Wheel Support	1		
26	5106010189-6	Belt Protection Cover	1			64	5332010018-2	Spare Hitch Shackle	1		
27	5256030033-6	Sprocket 16 Teeth	2			65	6020317392-2	Hexagonal Head Bolt Ø5/8" x 7.1/2" 11F UNC GR5 RT	2		
28	5024010007-7	Smooth Washer Ø20,3 X Ø46,5 X 4,75mm	4			66	5432010908-9	Pin Ø1/2" X 66mm	1		
29	6020390296-7	Lock Nma - Type "R" Ø2,0 X 59mm(Bichromatized)	2			67	5136017482-8	Guide Plate of Opening Cover	2		
30	6020310760-1	Hexagonal Nut 5/8" 11F Unc Gr5 Ch.1.1/16" Height 15,00mm	10			68	5530016956-1	Wheel Support	1		
31	6020310770-9	Hexagonal Nut 3/4" 10F Unc Gr5 Ch.1.7/32" Height 18,50mm	4			69	6020370264-0	Complete Support Of Lifting (Hydraulic Field Jack)	1		
32	5136017542-5	Plate 800 x 50 x 4.75 mm	1			70	5448010039-8	Pulley Ø30 X Ø153,5 X 48,5mm	1		
33	6020090480-2	Chain T-26 C-2050	2			71	6020390292-4	Lock Ø8 X 54mm	1		
34	6020030104-0	Nut Ø3/8" 16F Unc	2			72	6020010263-3	Retaining Oring	2		
35	6020010410-5	Pressure Washer 1/2" Media Industry	20			73	5140010028-8	Cotter Sq.5/16" X 19mm	1		
36	5024010298-3	Smooth Washer Ø17 X Ø44 X 4,75mm	4			75	5256030032-8	Sprocket 12 Teeth	1		
37	5024010217-7	Smooth Washer Ø39 X Ø68 X 12,00mm	1			76	5232190036-4	Shaft Ø30 X 345mm	1		
38	6020010414-8	Pressure Washer 3/4" Media Industry	4			77	5464010069-1	Protection Cover	1		

• Table DCF-CO 6000/8000 W/Hydraulic Motor

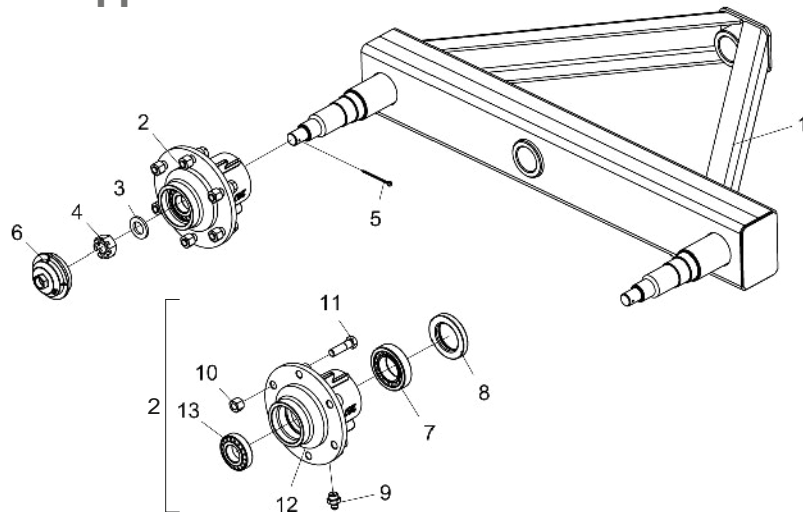
Item	Code	Product description	All	DCF-CO 6000	DCF-CO 8000	Item	Code	Product description	All	DCF-CO 6000	DCF-CO 8000
78	5464010071-3	Protection 125 X 3/16" X 794mm	1			114	5136018098-4	Fixation Plate of Container	1		
79	6020090569-8	Graduated Scale - 0 To 22	1			115	6020050642-4	Container For Instruction Manual	1		
80	5530011570-4	Protect Support	1			116	6020310019-4	Hexagonal Head Bolt 1/4" X 1" 20F Unc1A Gr2 Rt	2		
81	5464010581-2	Protector 796 X 152 x 3/16"	1			117	6020010402-4	Pressure Washer 1/4" Media Industry	4		
82	6020311075-0	Hexagonal Head Bolt 5/8" X 2.1/4" 11F Unc1A Gr5 Rp	2			118	6020310742-3	Hexagonal Nut 1/4" 20F Unc Gr5 Ch.7/16" Height 5,50mm	4		
83	6020250453-4	Knob Female Thermoplastic - Thread 5/16" Unc	2			119	6020058677-0	Cotter Sq.3/8" x 26mm	1		
84	5207010003-7	Transport Belt	1			120	5530017430-1	Hose Lateral Support	1		
85	6020395112-7	Tachometer	1			121	5530017431-0	Cover Fixation Support	1		
86	6020311037-8	Hexagonal Head Bolt 3/8" X 2.1/2" 16F Unc1A Gr2 Rp	3			123	5056010005-9	Anti-Cavitation Block	1		
87	5068010160-1	Clamp	3			124	6020311269-9	Hexagonal Head Bolt M8 X 1,25 X 20mm Cl8.8 Rt	2		
88	6020010723-6	Clamp (Ag3)	3			125	6020310744-0	Hexagonal Nut 5/16" 18F Unc Gr5 Ch.1/2" Height 6,50mm	15		
89	5372011070-5	Hose Ø1/4" X 6400mm With 1Trg And 1TrfWith Male Quickly Coupling	1			126	5538010704-9	Lock W/Pin	1		
90	5530017331-3	Hose Lateral Support	1			127	6020010406-7	Pressure Washer 3/8" Media Industry	49		
91	6020312300-3	Hexagonal Head Bolt 1/2" X 2.1/2" 12F W Gr5 Rp	2			128	6020010404-0	Pressure Washer 5/16" Media Industry	15		
92	5024010013-1	Smooth Washer Ø10,6 X Ø44 X 3,00mm	4			129	5024010073-5	Smooth Washer Ø8,5 X Ø20 X 2,00mm	16		
93	6020310054-2	Hexagonal Head Bolt 3/8" X 1" 16F Unc1A Gr2 Rt	12			130	5024010075-1	Smooth Washer Ø10,3 X Ø25 X 2,00mm	37		
94	6020311030-0	Hexagonal Head Bolt 3/8" X 5/8" 16F Unc1A Gr2 Rt	4			131	5024010239-8	Smooth Washer Ø16,5 X Ø37 X 3,00mm	1		
95	6020311090-4	French Head Bolt 3/8" X 1.1/4" 16F Unc1A Gr2 Rp	12			132	5024010258-4	Smooth Washer Ø20 X Ø38,5 X 3,00mm	1		
96	6020010395-8	Pressure Washer M12 Media	1			133	5024010068-9	Smooth Washer Ø13,3 X Ø35,5 X 3,00mm	20		
97	6020310754-7	Hexagonal Nut 1/2" 12F W Gr5 Ch.7/8" Height 12,00mm	25			134	6020310746-6	Hexagonal Nut 3/8" 16F Unc Gr5 Ch.9/16" Height 8,50mm	39		
98	5530017343-7	Fixation Support of Hydraulic Motor	1			135	5530011568-2	Protection Support	2		
99	6020251739-3	Motor Omr-80-Cil A2-7/8-7/16(151-7241)	1			136	5558010534-2	Complete Lock	1		
100	5136017893-9	Fixation Plate of Hydraulic Motor	1			137	5136018389-4	Guide Plate of Opening Cover	1		
101	5464010592-8	Motor Shaft Protection	1			138	6020310142-5	French Head Bolt 5/16" X 3/4" 18F Unc1A Gr2 Rp	4		
102	5464010593-6	Lower Protection of Hydraulic Motor	1			139	5530016958-8	Support of Opening Cover	2		
103	6020312519-7	Hexagonal Head Bolt 3/8" X 2.3/4" 16F Unc1A Gr5 Rp	1			140	6020311034-3	Hexagonal Head Bolt 3/8" X 1.3/4" 16F Unc1A Gr2 Rp	1		
104	5080011857-0	Motor Coupling Bushing	1			142	6020310296-0	Hexagonal Head Bolt 3/8" X 2" 16F Unc1A Gr5 Rp	2		
105	6020010063-0	O'Ring 2-116 N3006-90Nbr (18,72)	2			143	6020311175-7	French Head Bolt 1/2" X 1.5/8" 12F W Gr2 Rt	1		
106	5412010058-3	Nipple R.1/2" Bsp(G) X R.7/8" Unf X 47mm With Hexagonal 1"	2			144	6020310759-8	Self-Locking Nut With Nylon 5/8" 11F Unc Gr5 Ch.15/16" H.19,50mm	2		
107	5412010290-0	Nipple R.1/4" Bsp X M12 X 1,5 X 35mm - Hexagonal 5/8"	1			145	5040010921-1	Handle Bar	1		
108	5372011064-0	Hose Ø1/2" X 5400mm With 1Trg And 1TrfWith Male Quickly Coupling	2			146	5136015953-5	Opening Indicator Plate	1		
109	5530017269-4	Gate Right Support	1			147	5530017559-6	Handle Support	1		
110	5530017270-8	Gate Left Support	1			148	6020310161-1	French Head Bolt 5/16" X 1" 18F Unc Gr2 Rt	11		
111	6020050356-5	Inner Tube 750X16		4							
111	6020050362-0	Inner Tube Pa 15/16			4						
112	6020310406-8	Tyre 750 X 16 X 10 Ply		4							
112	6020310413-0	Tyre 11X15 Bl 10Ply			4						
113	6020350402-3	Rim 5,5" X 16" 16.392		4							
113	6020350397-3	Rim 10.0 Ply x15" (Wheel 11X15)			4						

• Wheel Support DCF-CO 3000



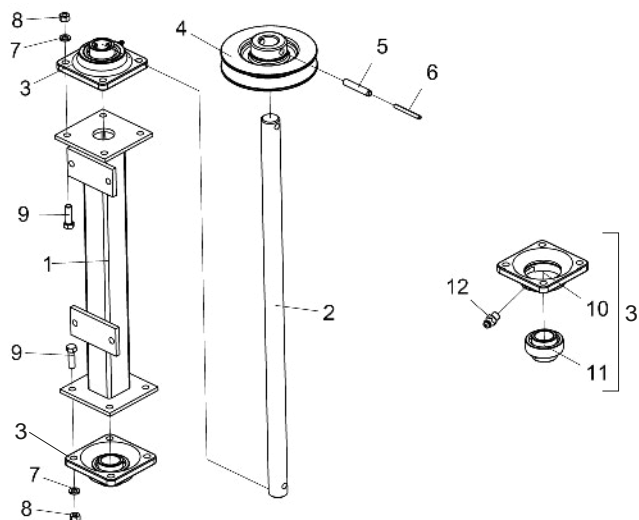
Item	Code	Product description	All
1	5232012197-3	Wheel Support Shaft	1
2	5204010535-2	Complete Wheel Hub	2
3	5096010053-8	Wheel Hub Cap	2
4	6020310800-4	Nut 1" 14F Uns Gr5 Ch.1.1/2" Height 22,00Mm	2
5	5024010039-5	Smooth Washer Ø26,2 X Ø44 X 4,75Mm	2
6	6020050108-2	Cotterpin 3/16" X 2"	2
7	6020350056-7	Bearing 32210	2
8	6020350224-1	Retainer Ø55,00 X Ø90,00 X 12,50Mm	2
9	6020130108-7	Grease Fitting 1/8"	2
10	6020310816-0	Double Conic Hexagonal Nut Of Wheel 9/16" 18F Unf Gr5 Ch.7/8" Height 19,00Mm	12
11	6020310998-1	Hexagonal Head Bolt 9/16" X 2" 18F Unf1A Gr5 Rp	12
12	5204010536-0	Wheel Hub	2
13	6020350080-0	Bearing 30207	2

• Wheel Support DCF-CO 6000/8000



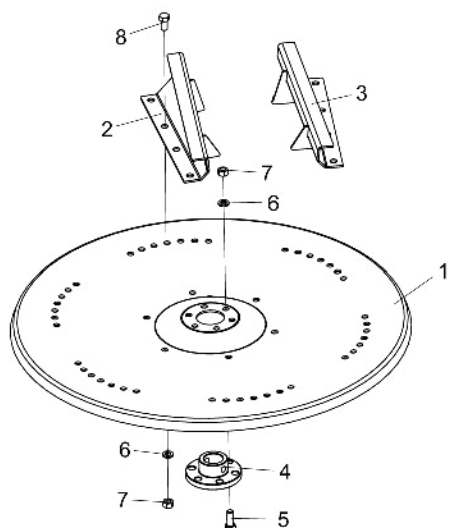
Item	Code	Product description	All
1	5530016955-3	Wheel Support	1
2	5204010535-2	Complete Wheel Hub	2
3	5024010039-5	Smooth Washer Ø26,2 X Ø44 X 4,75Mm	2
4	6020310800-4	Nut 1" 14F Uns Gr5 Ch.1.1/2" Height 22,00Mm	2
5	6020050108-2	Cotterpin 3/16" X 2"	2
6	5096010053-8	Wheel Hub Cap	2
7	6020350056-7	Bearing 32210	4
8	6020350224-1	Retainer Ø55,00 X Ø90,00 X 12,50Mm	4
9	6020130108-7	Grease Fitting 1/8"	4
10	6020310816-0	Double Conic Hexagonal Nut Of Wheel 9/16" 18F Unf Gr5 Ch.7/8" Height 19,00Mm	24
11	6020310998-1	Hexagonal Head Bolt 9/16" X 2" 18F Unf1A Gr5 Rp	24
12	5204010536-0	Wheel Hub	4
13	6020350080-0	Bearing 30207	4

• Complete Support Of Stretcher



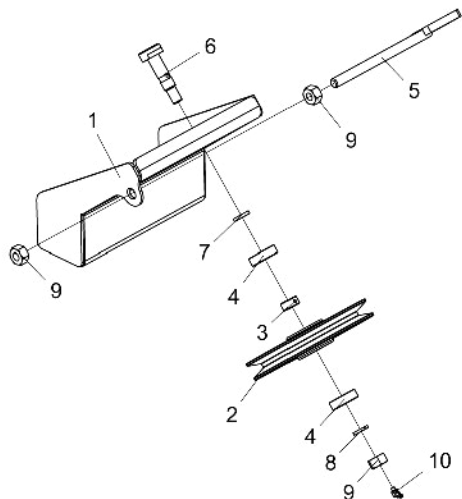
Item	Code	Product description	All
1	5530030112-5	Support Of Distributor	1
2	5232010760-1	Shaft Ø30 X 695Mm	1
3	5368010481-2	Mounted Bearing F-206	2
4	5448010039-8	Pulley Ø30 X Ø153,5 X 48,5Mm	1
5	6020310510-2	Heavy Elastic Pin Ø10 X 55Mm	1
6	6020310472-6	Heavy Elastic Pin Ø6 X 55Mm	1
7	6020010406-7	Pressure Washer 3/8" Media Industry	8
8	6020310746-6	Hexagonal Nut 3/8" 16F Unc Gr5 Ch.9/16" Height 8,50Mm	8
9	6020310026-7	Hexagonal Head Bolt 3/8" X 1.1/4" 16F Unc1A Gr5 Rt	8
10	6020250425-9	Bearing F-206 (Frm)	2
11	6020350107-5	Bearing Gye-30 Kbbr (Ina Nacional)	2
12	6020130100-1	Grease Fitting 1/4"	2

• Complete Lime Distributor Disc



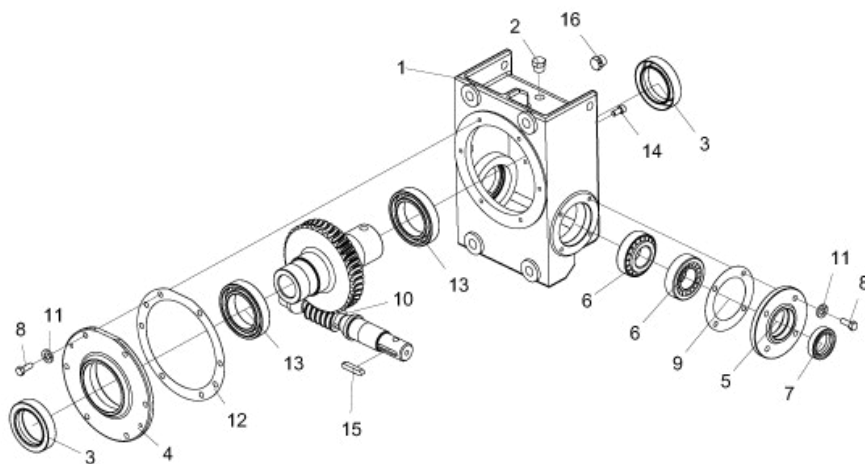
Item	Code	Product description	All
1	5220010095-6	Calcareous Large Distributor Disc	1
2	5010010049-2	Flip With Reinforcement (Right)	6
3	5010010050-6	Flip With Reinforcement (Left)	6
4	5284040033-6	Flange Ø30 X Ø88 X 32Mm	1
5	6020310054-2	Hexagonal Head Bolt 3/8" X 1" 16F Unc1A Gr2 Rt	6
6	6020010406-7	Pressure Washer 3/8" Media Industry	18
7	6020310746-6	Hexagonal Nut 3/8" 16F Unc Gr5 Ch.9/16" Height 8,50Mm	18
8	6020312201-5	Hexagonal Head Bolt 3/8" X 3/4" 16F Unc1A Gr5 Rt	12

• Support Of Complete Intermediaty Pulley



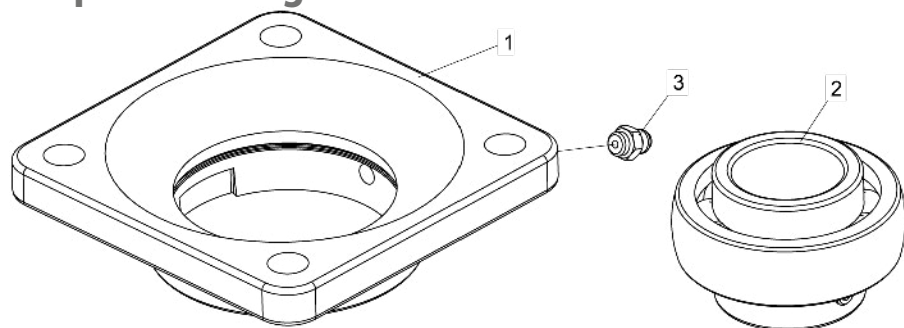
Item	Code	Product description	All
1	5530011596-8	Complete Support Of Stretcher	1
2	5448010040-1	Pulley Ø47 X Ø220 X 41Mm	1
3	5080020738-7	Bushing Of Ø20 X Ø28 X 13,2Mm	1
4	6020350033-8	Bearing 6204-Z	2
5	5566090009-7	Rod Of 270Mm	1
6	5232030147-5	Shaft Ø20 X 99,5mm	1
7	5080020737-9	Bushing Of Ø20 X Ø28 X 4,75Mm	1
8	6020010412-1	Pressure Washer 5/8" Media Industry	1
9	6020310760-1	Hexagonal Nut 5/8" 11F Unc Gr5 Ch.1.1/16" Height 15,00Mm	3
10	6020130106-0	Grease Fitting 1/4"	1

• Transmision Box



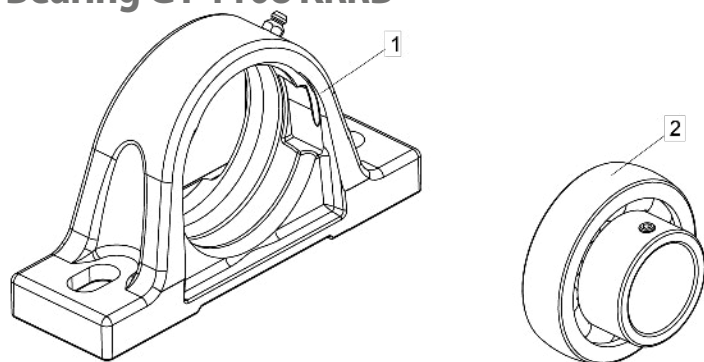
Item	Code	Product description	All
1	6020059302-5	Spare Transmission Box	1
2	6020030770-7	Hexagonal Head Plug 3/4" - R.3/8" - 19F - Bspt(Gas)(Macopema 52.03.16.012.004)	2
3	6020350292-6	Retainer Ø59,90 X Ø85,60 X 17,50mm	2
4	6020395148-8	Transmission Box Cover	1
5	6020395060-0	Small Cover(Macopema 54.06.20.019.002)	1
6	6020350083-4	Bearing 32207	2
7	6020350273-0	Retainer Ø35,00 X Ø52,00 X 12,00mm	1
8	6020312019-5	Hexagonal Head Bolt 5/16" X 7/8" 18F Unc1A Gr5 Rt	10
9	6020190121-1	Gascket Ø73 X Ø110 X 1/64"	2
10	6020059303-3	Pinon Kit	1
11	6020010404-0	Pressure Washer 5/16" Media Industry	10
12	6020190122-0	Gascket Ø154 X Ø193 X 1/64"	2
13	6020350884-3	Sphere Rigid Bearing 6012	2
14	6020310194-8	Allen Bolt C/C 5/16" X 5/8" 18F Unc1A Cl12.9 Rt (Phosphated)	1
15	6020058970-2	Cotter Sq.5/16" x 43mm	1
16	6020030769-3	Hexagonal Head Plug 3/4" - R.3/8" - 19F - Bspt(Gas With Hole Ø3,18mm)(Macopema 54.06.02.022.002)	1

• Complete Bearing F-206



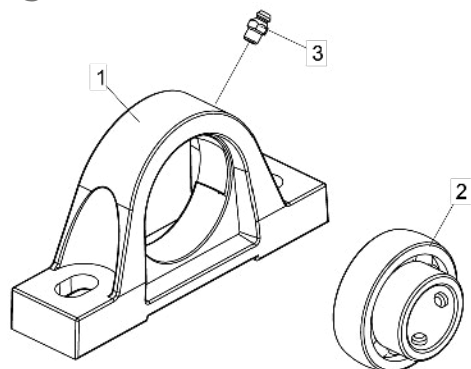
Item	Code	Product description	All
1	6020250425-9	Bearing F-206 (Frm)	1
2	6020350107-5	Bearing Gye-30 Kbbr (Ina Nacional)	1
3	6020130100-1	Grease Fitting 1/4"	1

• Complete Bearing GY 1108 KRRB



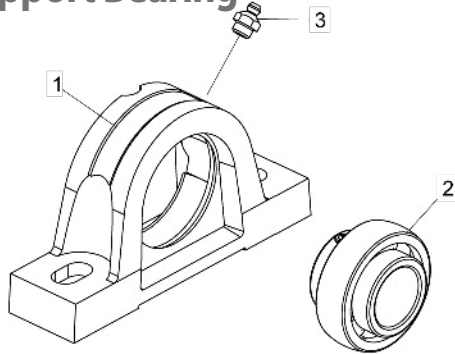
Item	Code	Product description	All
1	6020250404-6	Bearing P-208	1
2	6020350106-7	Bearing Gy-1108 Krrb	1

• Complete Bearing GYE 30 KRRB



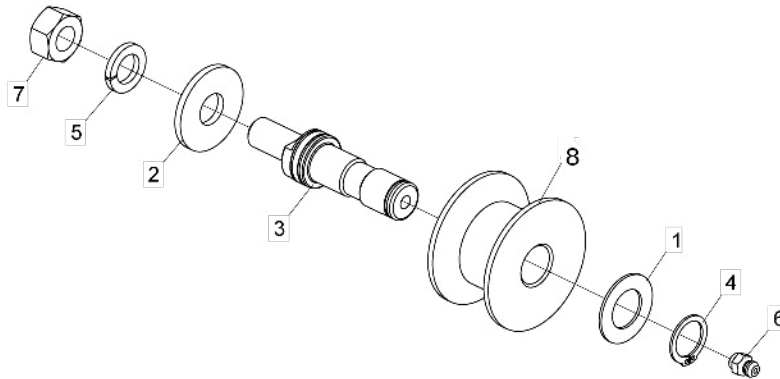
Item	Code	Product description	All
1	6020250428-3	Bearing P-206	1
2	6020350107-5	Bearing Gye-30 Kbbr (Ina Nacional)	1
3	6020130100-1	Grease Fitting 1/4"	1

• Complete Support Bearing



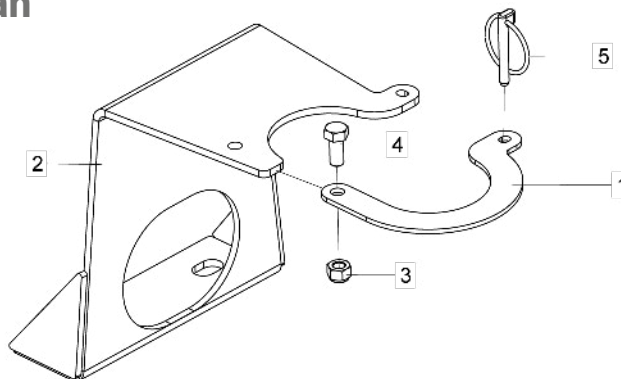
Item	Code	Product description	All
1	5368030011-5	Support Bearing	1
2	6020350004-4	Bearing Ge-30K Rrb	1
3	6020130108-7	Grease Fitting 1/8"	1

• Complete Chain Stretcher



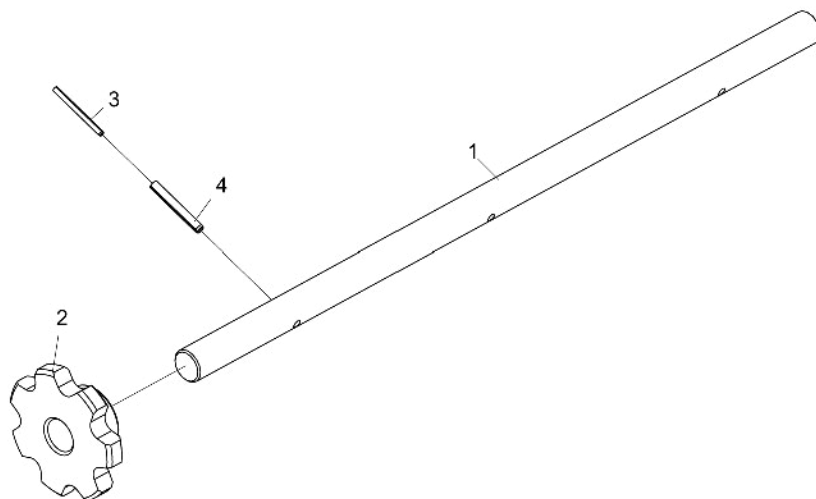
Item	Code	Product description	All
1	5024010059-0	Smooth Washer Ø16,5 X Ø29 X 1,21Mm	1
2	5024010068-9	Smooth Washer Ø13,3 X Ø35,5 X 3,00Mm	1
3	5232012027-6	Stretcher Shaft W/Metric Thread	1
4	6020010252-8	Retaining Oring	1
5	6020010395-8	Pressure Washer M12 Media	1
6	6020130100-1	Grease Fitting 1/4"	1
7	6020310820-9	Hexagonal Nut M12 X 1,75 Ma Cl8 Ch.19Mm H.10,00Mm	1
8	6020350849-5	Stretcher Pulley	1

• Support Of Cardan



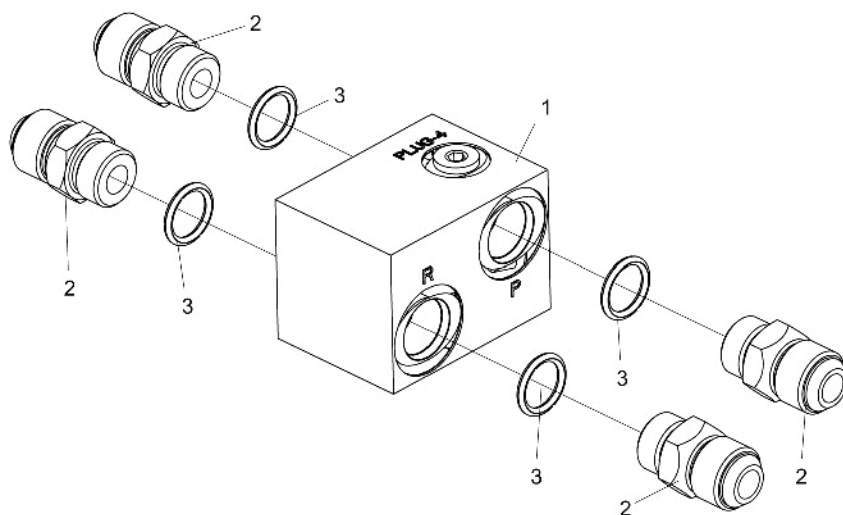
Item	Code	Product description	All
1	5136012099-0	Upper Plate Of Support Of Cardan	1
2	5530011819-3	Support of Agricultural Cardan Shaft	1
3	6020310813-6	Self-Locking Nut With Nylon 5/16" 18F Unc Gr5 Ch.1/2" H.9,00Mm	1
4	6020312020-9	Hexagonal Head Bolt 5/16" X 3/4" 18F Unc1A Gr5 Rt	1
5	6020390293-2	Lock Ø5,75 X 40Mm	1

• Complete Front-Rear Shaft



Item	Code	Product description	All	Front	Rear
1	5232010752-0	Front Shaft		1	
1	5232012403-4	Shaft Ø1.1/2" x 1230mm			1
2	5256030044-1	Gear 7 Teeth	3		
3	6020310487-4	Heavy Elastic Pin Ø6 X 75Mm	3		
4	6020310489-0	Heavy Elastic Pin Ø10 X 75Mm	3		

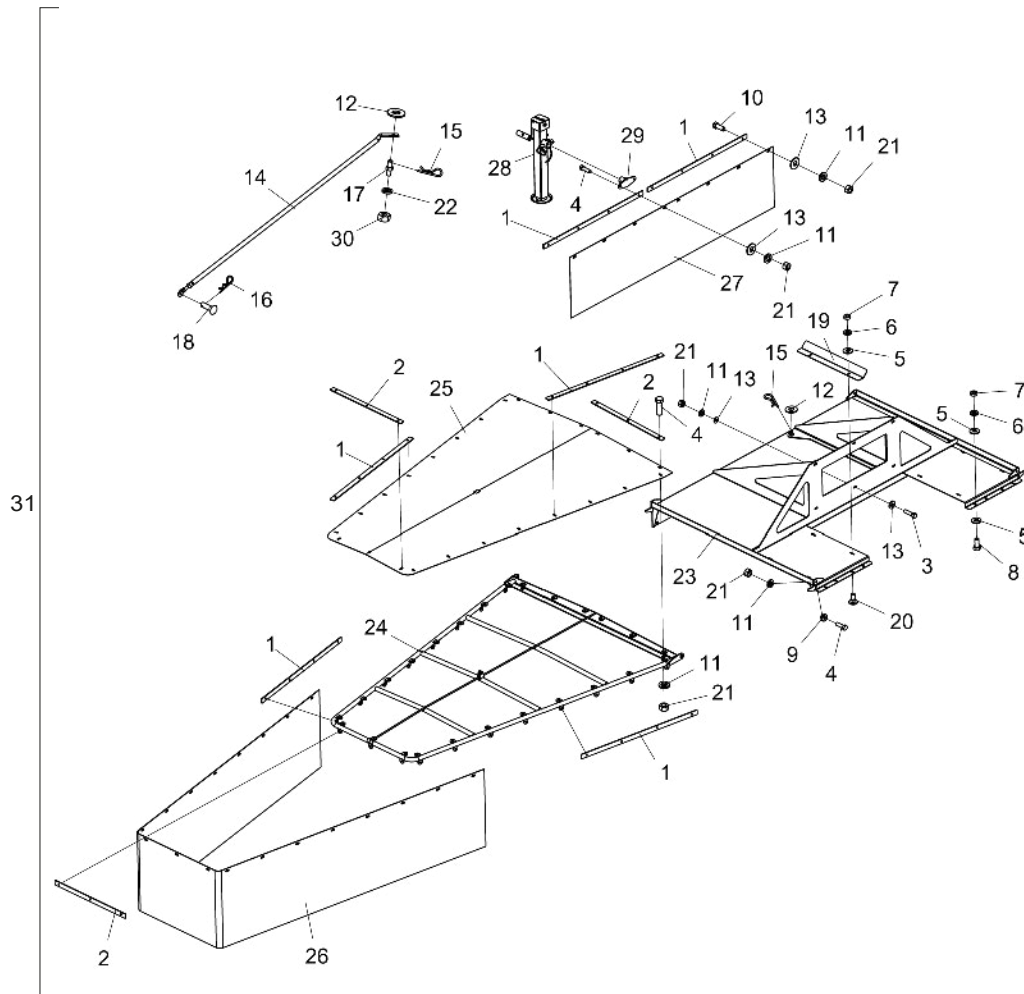
• Anti-Cavitation Block



Item	Code	Product description	All
1	6020030749-9	Bloco Anti Cavitation For Turbines And Soprador(Hfb160531)	1
2	5412010219-5	Nipple R. 1/2" Bsp(G) X R. 3/4" Unf X 40Mm Hexagonal 7/8"	4
3	6020010022-3	O'Ring 2-114 N3006-90Nbr (15,54)	4

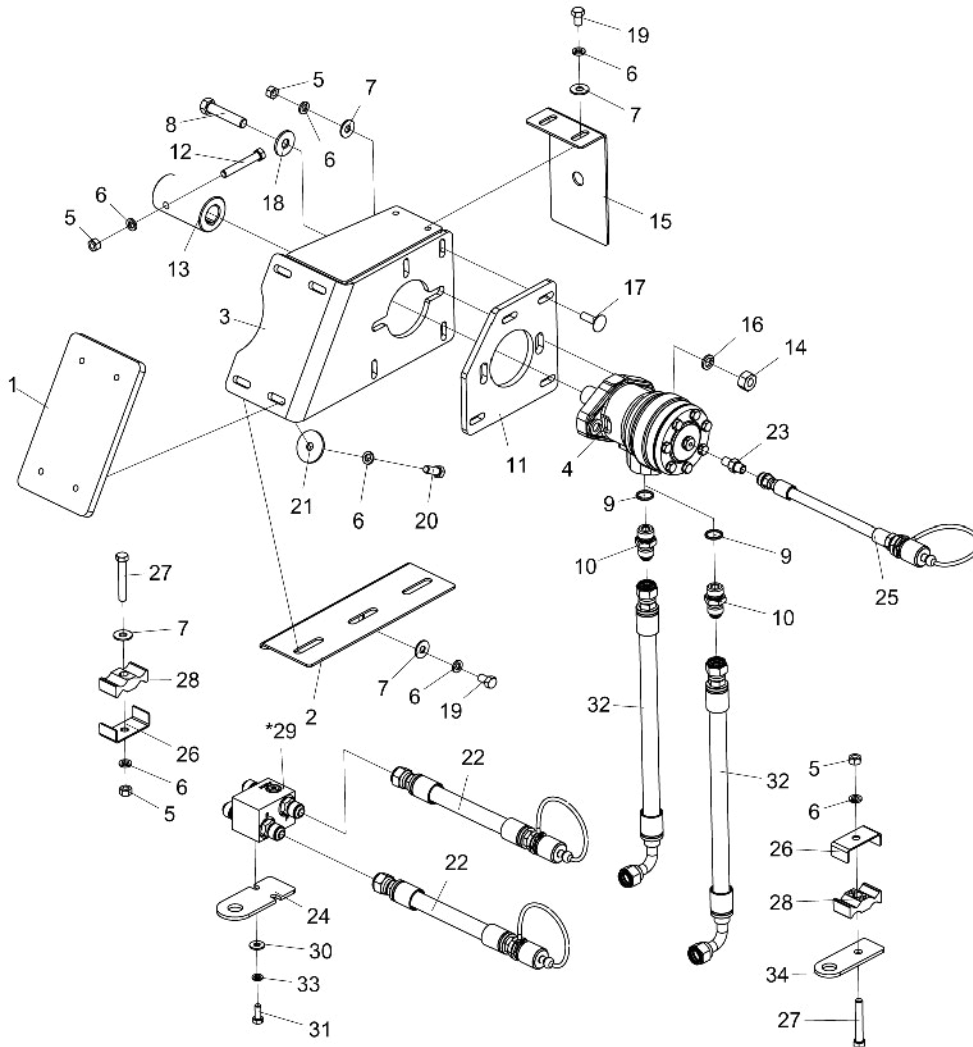
Optional

Complete Rubber Deflector - Optional for DCF-CO 6000/8000



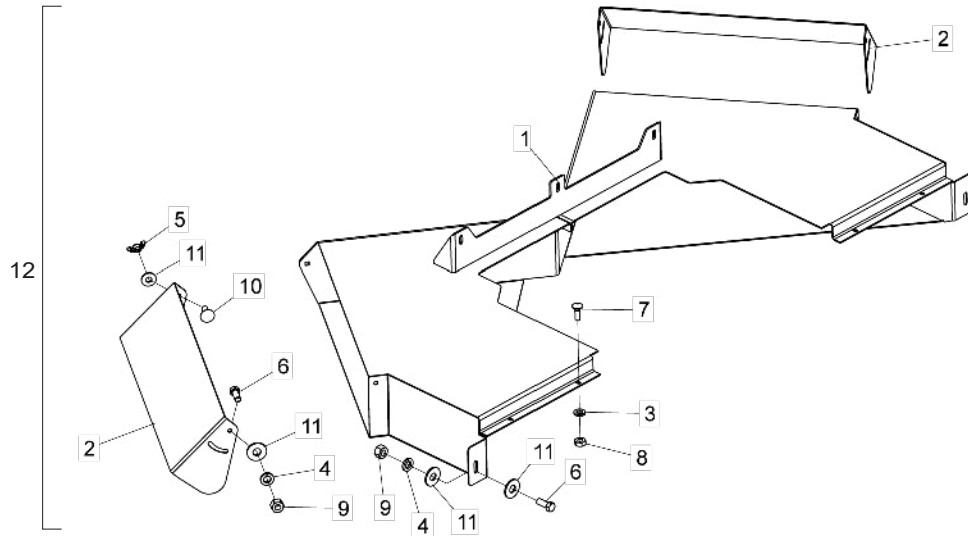
Item	Code	Product description	All
1	5040010897-5	Back Bar	18
2	5136017713-4	Back Plate	8
3	6020311029-7	Hexagonal Head Bolt 3/8" X 1.1/2" 16F Unc1A Gr5 Rt	6
4	6020310026-7	Hexagonal Head Bolt 3/8" X 1.1/4" 16F Unc1A Gr5 Rt	94
5	5024010073-5	Smooth Washer Ø8,5 X Ø20 X 2,00Mm	12
6	6020010404-0	Pressure Washer 5/16" Media Industry	8
7	6020310744-0	Hexagonal Nut 5/16" 18F Unc Gr5 Ch.1/2" Height 6,50Mm	8
8	6020312020-9	Hexagonal Head Bolt 5/16" X 3/4" 18F Unc1A Gr5 Rt	4
9	5080011844-9	Bushing Ø10,3 X Ø30 X 14,5mm	4
10	6020310054-2	Hexagonal Head Bolt 3/8" X 1" 16F Unc1A Gr2 Rt	6
11	6020010406-7	Pressure Washer 3/8" Media Industry	106
12	5024010239-8	Smooth Washer Ø16,5 X Ø37 X 3,00Mm	4
13	5024010075-1	Smooth Washer Ø10,3 X Ø25 X 2,00Mm	20
14	5484010176-5	Complete Regulator	2
15	6020390308-4	Lock Nma - Type "R" Ø4,5 X 80Mm	4
16	6020390294-0	Lock Nma - Type "R" Ø3,5 X 67Mm(Special)	2
17	5232120095-8	Hexagonal Shaft 3/4" X 50Mm	2
18	6020311238-9	French Head Pin Ø9,8 X 28,5Mm	2
19	5136017709-6	Damper Sealing Plate	2
20	6020310142-5	French Head Bolt 5/16" X 3/4" 18F Unc1A Gr2 Rp	4
21	6020310746-6	Hexagonal Nut 3/8" 16F Unc Gr5 Ch.9/16" Height 8,50Mm	106
22	6020010410-5	Pressure Washer 1/2" Media Industry	2
23	5022011855-7	Deflector Central Gang	1
24	5022011856-5	Lateral Gang	2
25	6020317574-7	Gang Upper Protection	2
26	6020317575-5	Rubber protection	2
27	6020317576-3	Rear protection	1
28	6020370264-0	Complete Support Of Lifting (Hydraulic Field Jack)	1
29	5530017313-5	Fixation Support	1
30	6020310754-7	Hexagonal Nut 1/2" 12FW Gr5 Ch.7/8" Height 12,00Mm	2
31	KACCESSORIDCFCO	Complete Rubber Deflector	

• Cardan to Hydraulic Motor Conversion System



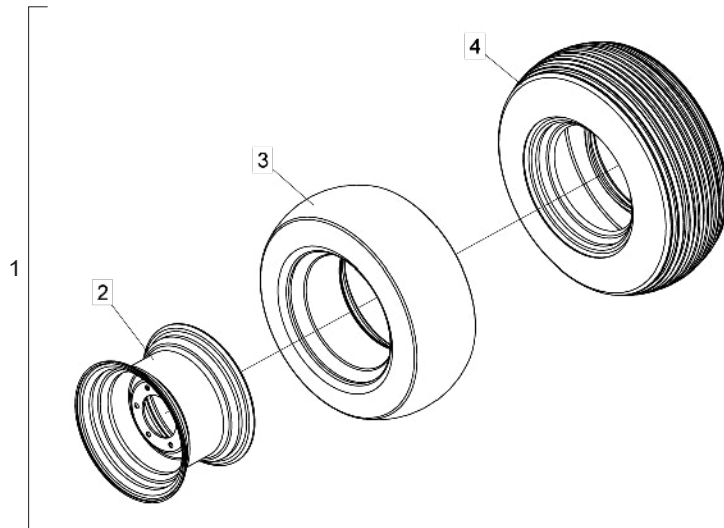
Item	Code	Product description	All	DCF-CO 3000	DCF-CO 6000	DCF-CO 8000
1	5136017891-2	Plate 222 X 130 X 12,5mm	1			
2	5464010594-4	Lower protection of Hydraulic Motor		1		
2	5464010593-6	Lower Protection of Hydraulic Motor			1	1
3	5530017344-5	Hydraulic Motor Fixation Support		1		
3	5530017343-7	Fixation Support of Hydraulic Motor			1	1
4	6020251739-3	Motor Omr-80-Cil A2-7/8-7/16(151-7241)	1			
5	6020310746-6	Hexagonal Nut 3/8" 16F Unc Gr5 Ch.9/16" Height 8,50Mm	8			
6	6020010406-7	Pressure Washer 3/8" Media Industry	16			
7	5024010075-1	Smooth Washer Ø10,3 X Ø25 X 2,00Mm	10			
8	6020312300-3	Hexagonal Head Bolt 1/2" X 2.1/2" 12FW Gr5 Rp	2			
9	6020010063-0	O`Ring 2-116 N3006-90Nbr (18,72)	2			
10	5412010058-3	Nipple R.1/2" Bsp(G) X R.7/8" Unf X 47Mm With Hexagonal 1"	2			
11	5136017893-9	Fixation Plate of Hydraulic Motor	1			
12	6020311236-2	Hexagonal Head Bolt 3/8" X 2.5/8" 16F Unc1A Gr5 Rt	1			
13	5080011857-0	Motor Coupling Bushing	1			
14	6020310754-7	Hexagonal Nut 1/2" 12FW Gr5 Ch.7/8" Height 12,00Mm	2			
15	5464010592-8	Motor Shaft Protection	1			
16	6020010410-5	Pressure Washer 1/2" Media Industry	2			
17	6020311090-4	French Head Bolt 3/8" X 1.1/4" 16F Unc1A Gr2 Rp	4			
18	5024010068-9	Smooth Washer Ø13,3 X Ø35,5 X 3,00Mm	2			
19	6020311030-0	Hexagonal Head Bolt 3/8" X 5/8" 16F Unc1A Gr2 Rt	4			
20	6020310054-2	Hexagonal Head Bolt 3/8" X 1" 16F Unc1A Gr2 Rt	4			
21	5024010013-1	Smooth Washer Ø10,6 X Ø44 X 3,00Mm	4			
22	5372011067-5	Hose Ø1/2" X 4700Mm With 1Trg And 1Trf With Male Quickly Coupling		2		
22	5372011064-0	Hose Ø1/2" X 5400Mm With 1Trg And 1Trf With Male Quickly Coupling			2	2
23	5412010290-0	Nipple R.1/4" Bsp X M12 X 1,5 X 35Mm - Hexagonal 5/8"	1			
24	5530017430-1	Hose Lateral Support	1			
25	5372011190-6	Hose Ø1/4" X 5700mm W/ 1TRG and 1TRF W/Male Quick Coupler		1		
25	5372011070-5	Hose Ø1/4" X 6400Mm With 1Trg And 1Trf With Male Quickly Coupling			1	1
26	5068010160-1	Clamp	3			
27	6020311037-8	Hexagonal Head Bolt 3/8" X 2.1/2" 16F Unc1A Gr2 Rp	3			
28	6020010723-6	Clamp (Ag3)	3			
29	5056010005-9	Anti-Cavitation Block	1			
30	5024010073-5	Smooth Washer Ø8,5 X Ø20 X 2,00Mm	2			
31	6020311269-9	Hexagonal Head Bolt M8 X 1,25 X 20Mm Cl8.8 Rt	2			
32	6020251107-7	High Pressure Hydraulic Hose 1/2" X 500Mm With 1Tcg And 1Trg (Sae 100R2 At - P.T.4000Psi)	2			
33	6020010004-5	Pressure Washer M8 Media	2			
34	5530017331-3	Hose Lateral Support	1			

• Direction Box - Optional for All Models



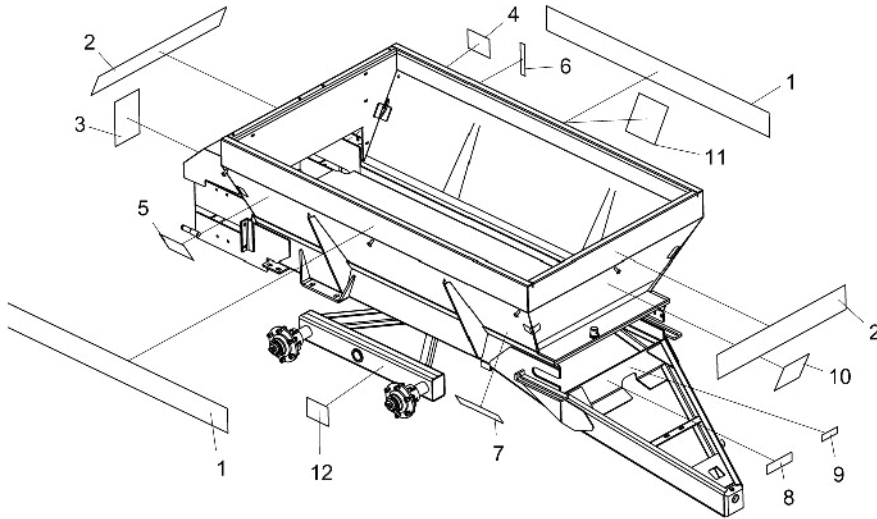
Item	Code	Product description	All
1	5092010321-6	Driving Box(Dcfc0-3000/6000/8000)	1
2	5136012796-0	Direction Plate	2
3	6020010404-0	Pressure Washer 5/16" Media Industry	4
4	6020010406-7	Pressure Washer 3/8" Media Industry	6
5	6020030104-0	Nut Ø3/8" 16F Unc	2
6	6020310054-2	Hexagonal Head Bolt 3/8" X 1" 16F Unc1A Gr2 Rt	6
7	6020310161-1	French Head Bolt 5/16" X 1" 18F Unc Gr2 Rt	4
8	6020310744-0	Hexagonal Nut 5/16" 18F Unc Gr5 Ch.1/2" Height 6,50Mm	4
9	6020310746-6	Hexagonal Nut 3/8" 16F Unc Gr5 Ch.9/16" Height 8,50Mm	6
10	6020311160-9	French Head Bolt 3/8" X 1" 16F Unc1A Gr2 Rt	2
11	5024010075-1	Smooth Washer Ø10,3 X Ø25 X 2,00Mm	10
12	5092010320-8	Complete Driving Box	1

• Complete Wheel 11x15 BL 10 Ls. - Optional for DCF-CO 3000/6000



Item	Code	Product description	DCF-CO 3000	DCF-CO 6000
1	5498100072-5	Complete Wheel 11 X 15 - BI 10 Ply	2	4
2	6020350397-3	Rim 10.0 Ply x15" (Wheel 11X15)	2	4
3	6020050362-0	Inner Tube Pa 15/16	2	4
4	6020310413-0	Tyre 11X15 BI 10Ply	2	4

• Stickers



Item	Code	Product description	All	DCF-CO 3000	DCF-CO 6000	DCF-CO 8000
1	6020070846-9	Sticker Dcfco-3000 (Lenght 2300Mm)		2		
1	6020070848-5	Sticker Dcfco-6000 (Lenght 3000Mm)			2	
1	6020070818-3	Sticker Dcfco-8000 (160 X 3000Mm)				2
2	6020070845-0	Sticker Dcfco-3000 (Lenght 1365Mm)	2			
3	5206010242-2	Sticker Warning Stay Away From This Area Mdcf	1			
4	5206010250-3	Sticker Safety Pin Warning Dcf	1			
5	6020079040-8	Sticker Lime Distribution Table Dcfco-3000/6000/8000	1			
6	5206010026-8	Sticker Level Of Oil Check (Rotary Cutter)	1			
7	5206010240-6	Sticker Warning Check The Belt Tension	1			
8	6020070886-8	Sticker Lubricate And Retighten (58 X 195Mm)	1			
9	6020070894-9	Sticker Attention "Rotating Cardan" (45 X 130Mm)	1			
10	6020070839-6	Warning Sticker (194 X 200Mm)	1			
11	6020078828-4	Sticker Hydraulic Motor Rotation Adjustment For DCF-CO W/ Hydraulic Motor	1			
12	6020078831-4	Sticker Support Wheel Lock			1	1



Item 1



Item 2



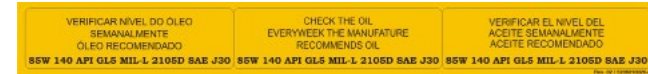
Item 3



Item 4



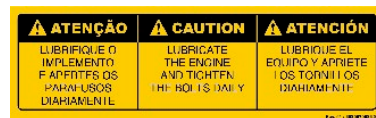
Item 5



Item 6



Item 7



Item 8



Item 9



Item 10



Item 11



Item 12



Avenida Baldan, 1500
Nova Matão
15.993-900
Matão/SP - Brasil
sac@baldan.com.br
export@baldan.com.br

+55 16 3221 6500
baldan.com.br