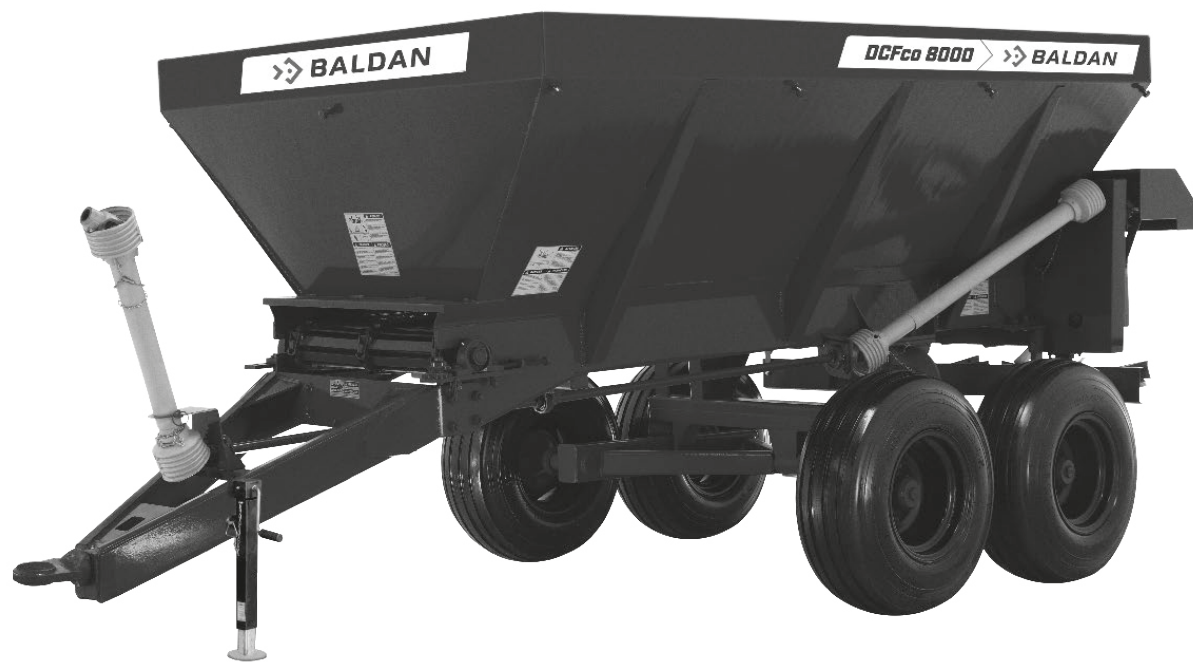


# Parts Catalog



## DCF-CO

Lime, Fertilizer and Organic Fertilizer Spreader

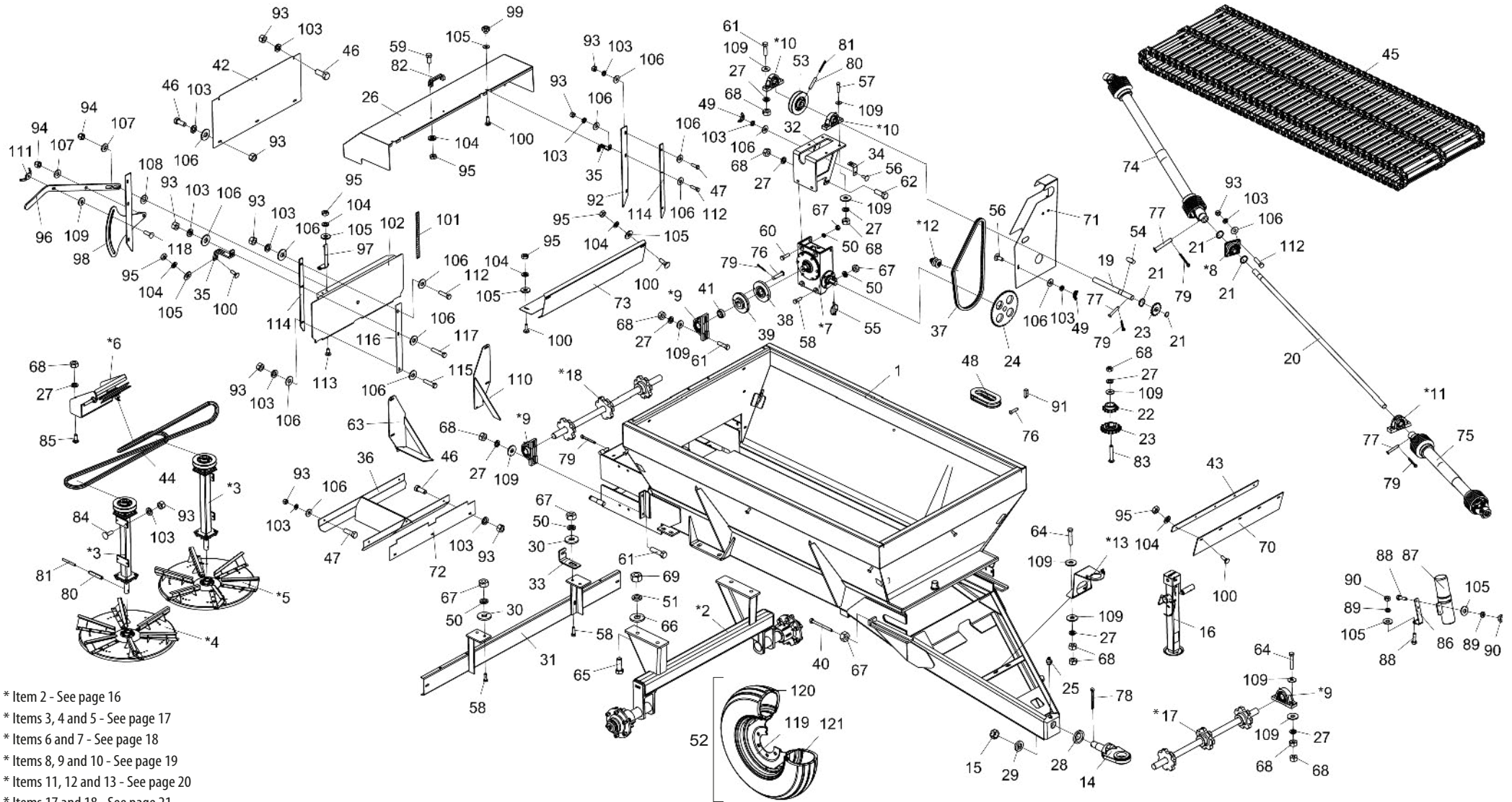
 **BALDAN**



## ▪ Index

<i>DCF-CO 3000 W/Cardan System</i> .....	4
<i>Table DCF-CO 3000 W/Cardan System</i> .....	5-6
<i>DCF-CO 3000 W/Hydraulic Motor</i> .....	7
<i>Table DCF-CO 3000 W/Hydraulic Motor</i> .....	8-9
<i>DCF-CO 6000/8000 W/Cardan System</i> .....	10
<i>Table DCF-CO 6000/8000 W/Cardan System</i> .....	11-12
<i>DCF-CO 6000/8000 W/Hydraulic Motor</i> .....	13
<i>Table DCF-CO 6000/8000 W/Hydraulic Motor</i> .....	14-15
<i>Wheel Support DCF-CO 3000</i> .....	16
<i>Wheel Support DCF-CO 6000/8000</i> .....	16
<i>Complete Support Of Stretcher</i> .....	17
<i>Complete Lime Distributor Disc</i> .....	17
<i>Support Of Complete Intermediaty Pulley</i> .....	18
<i>Transmission Box</i> .....	18
<i>Complete Bearing F-206</i> .....	19
<i>Complete Bearing GY 1108 KRRB</i> .....	19
<i>Complete Bearing GYE 30 KRRB</i> .....	19
<i>Complete Support Bearing</i> .....	20
<i>Complete Chain Stretcher</i> .....	20
<i>Support Of Cardan</i> .....	20
<i>Complete Front-Rear Shaft</i> .....	21
<i>Anti-Cavitation Block</i> .....	21
<b>OPTIONAL</b> .....	<b>22</b>
<i>Complete Rubber Deflector - Optional for DCF-CO 6000/8000</i> .....	22
<i>Cardan to Hydraulic Motor Conversion System</i> .....	23
<i>Direction Box - Optional for All Models</i> .....	24
<i>Complete Wheel 11x15 BL 10 Ls. - Optional for DCF-CO 3000/6000</i> .....	24
<i>Stickers</i> .....	25

## • DCF-CO 3000 W/Cardan System



- \* Item 2 - See page 16
- \* Items 3, 4 and 5 - See page 17
- \* Items 6 and 7 - See page 18
- \* Items 8, 9 and 10 - See page 19
- \* Items 11, 12 and 13 - See page 20
- \* Items 17 and 18 - See page 21

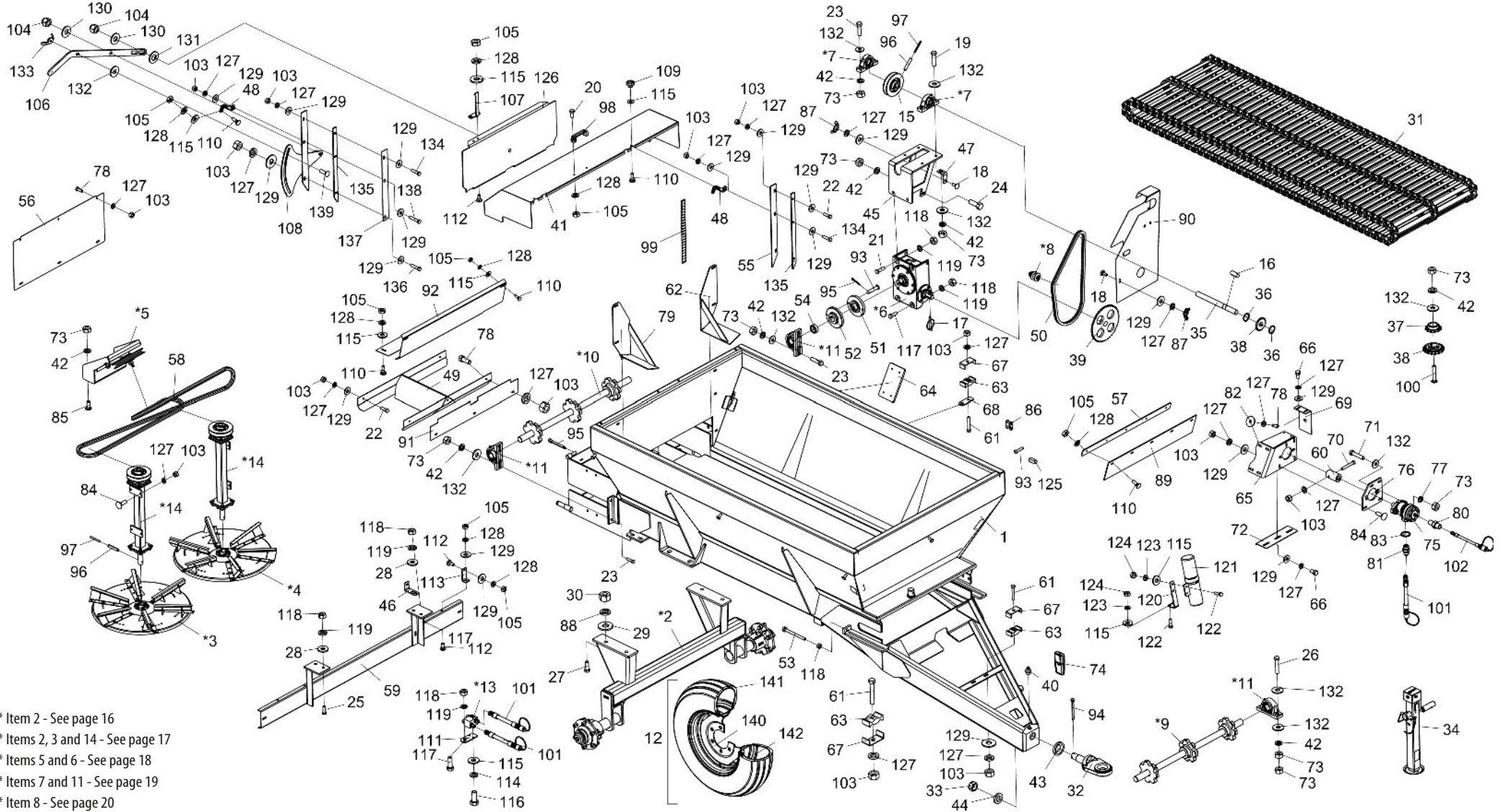
## • Table DCF-CO 3000 W/Cardan System

Item	Code	Product description	All	Item	Code	Product description	All	5
1	5091010128-2	Complete Bucket	1	537	6020050081-7	Chain (Asa 50) 79 Links + Amendment	1	5
*2	5530016957-0	Wheel Suppot	1	38	5284040034-4	Flange 038,1 X 0140 X 34Mm	1	5
*3	5530011600-0	Complete Support Of Stretcher	2	539	5284040035-2	Flange 038,1 X 0140 X 29Mm	1	5
*4	5220010097-2	Complete Right Lime Distributor Disc	1	40	6020317392-2	Hexagonal Head Bolt 05/8" x 7.1/2" 11F UNC GR5 RT	2	5
*5	5220010096-4	Complete Left Lime Distributor Disc	1	541	5080010983-0	Bushing Of 038,5 X 054 X 19,5Mm	1	5
*6	5530011595-0	Support Of Complete Intermediaty Pulley	1	42	5136012126-0	Plate Of 820 X 365 X 2,00Mm	1	5
*7	6020058048-9	Transmision Box	1	543	5136017542-5	Plate 800 x 50 x 4.75 mm	1	5
*8	5368010481-2	Mounted Bearing F-206	1	44	6020051088-0	Belt C-143	1	5
*9	5368010479-0	Complete Bearing Gy 1108 Krrb	4	545	6020095894-5	Double Transport Belt With 86 Links	1	5
*10	5368010480-4	Complete Bearing Gye 30 Krrb	2	46	6020310054-2	Hexagonal Head Bolt 3/8" X 1" 16F Unc1A Gr2 Rt	3	5
*11	5368030012-3	Complete Support Bearing	1	547	6020310026-7	Hexagonal Head Bolt 3/8" X 1.1/4" 16F Unc1A Gr5 Rt	6	5
*12	5268010245-7	Complete Chain Stretcher	1	48	6020050082-5	Chain (Asa 50) 13 Links + Amendment	1	5
*13	5530011188-1	Support Of Cardan	1	549	6020030104-0	Nut 03/8" 16F Unc	2	5
14	5332010114-6	Hitch Shakcle	1	50	6020010412-1	Pressure Washer 5/8" Media Industry	8	5
15	6020310857-8	Nut 1.1/2" 12F Unf Gr2 Ch.2" Height 30,00Mm	1	551	6020010414-8	Pressure Washer 3/4" Media Industry	4	5
16	6020370264-0	Complete Support Of Lifting (Hydraulic Field Jack)	1	52	5498100005-9	Complete Wheel 750 X 16	2	5
17	5232010751-2	Complete Front Shaft	1	553	5448010039-8	Pulley 030 X 0153,5 X 48,5Mm	1	5
18	5232010753-9	Complete Rear Shaft	1	54	5140010028-8	Cotter Sq.5/16" X 19Mm	1	5
19	5232190036-4	Shaft 030 X 345Mm	1	555	6020390292-4	Lock 08 X 54Mm	1	5
20	5232010766-0	Shaft 030 X 1728Mm	1	56	6020311160-9	French Head Bolt 3/8" X 1" 16F Unc1A Gr2 Rt	2	5
21	6020010263-3	Retaining Oring	4	557	6020311055-6	Hexagonal Head Bolt 1/2" X 2.1/4" 12F W Gr2 Rp	1	5
22	5256030032-8	Sprocket 12 Teeth	1	58	6020310180-8	Hexagonal Head Bolt 5/8" X 2" 11F Unc1A Gr5 Rp	5	5
23	5256030033-6	Sprocket 16 Teeth	2	559	6020312020-9	Hexagonal Head Bolt 5/16" X 3/4" 18F Unc1A Gr5 Rt	2	5
24	5256030045-0	Sprocket 48 Teeth	1	60	6020311075-0	Hexagonal Head Bolt 5/8" X 2.1/4" 11F Unc1A Gr5 Rp	3	5
25	6020130108-7	Grease Fitting 1/8"	1	561	6020310049-6	Hexagonal Head Bolt 1/2" X 2" 12F W Gr5 Rp	7	5
26	5464010069-1	Protection Cover	1	62	6020311051-3	Hexagonal Head Bolt 1/2" X 1.1/2" 12F W Gr2 Rt	2	5
27	6020010410-5	Pressure Washer 1/2" Media Industry	2	563	5530017269-4	Gate Right Support	1	5
28	5024010327-0	Smooth Washer 045 X 087 X 12,00Mm	1	64	6020311058-0	Hexagonal Head Bolt 1/2" X 2.3/4" 12F W Gr5 Rp	6	5
29	5024010217-7	Smooth Washer 039 X 068 X 12,00Mm	1	565	6020311094-7	Hexagonal Head Bolt 3/4" X 2.1/4" 10F Unc1A Gr5 Rt	4	5
30	5024010298-3	Smooth Washer 017 X 044 X 4,75Mm	4	66	5024010007-7	Smooth Washer 020,3 X 046,5 X 4,75Mm	4	5
31	5530011569-0	Rear Support	1	567	6020310760-1	Hexagonal Nut 5/8" 11F Unc Gr5 Ch.1.1/16" Height 15,00Mm	10	5
32	5530011564-0	Fixation Support Of Bearing	1	68	6020310754-7	Hexagonal Nut 1/2" 12F W Gr5 Ch.7/8" Height 12,00Mm	27	5
33	5530010710-8	Fixation Support Of Cap	1	569	6020310770-9	Hexagonal Nut 3/4" 10F Unc Gr5 Ch.1.7/32" Height 18,50Mm	4	5
34	5530010109-6	Fixation Small Support Of Cap	1	70	5464010581-2	Protector 796 X 152 x 3/16"	1	5
35	5530011568-2	Protection Support	2	571	5106010082-2	Belt Protector	1	5
36	5530011570-4	Protect Support	1	72	5464010071-3	Protection 125 X 3/16" X 794Mm	1	5

## • Table DCF-CO 3000 W/Cardan System

Item	Code	Product description	All	Item	Code	Product description	All	5
73	5464010072-1	Internal Protection Of Belt	1	5109	5024010068-9	Smooth Washer Ø13,3 X Ø35,5 X 3,00Mm	23	5
74	6020050161-9	Cardan Cria 302/2 X 302/2 X 900Tb With Cp (Stu)	1	110	5530017270-8	Gate Left Support	1	5
75	6020050178-3	Agricultural Cardan Shaft 790 Mm (Closed)	1	5111	5558010534-2	Complete Lock	1	5
76	6020310658-3	Pin Ø9,1 x 38 mm	4	112	6020311029-7	Hexagonal Head Bolt 3/8" X 1.1/2" 16F Unc1A Gr5 Rt	6	5
77	6020310827-6	Pin Ø9,10 X 51,85 mm	3	5113	6020310142-5	French Head Bolt 5/16" X 3/4" 18F Unc1A Gr2 Rp	2	5
78	6020050118-0	Cotterpin 1/4" X 2.1/2"	1	114	5530016958-8	Support of Opening Cover	2	5
79	6020050101-5	Cotterpin 1/8" X 1"	9	5115	6020311034-3	Hexagonal Head Bolt 3/8" X 1.3/4" 16F Unc1A Gr2 Rp	2	5
80	6020310510-2	Heavy Elastic Pin Ø10 X 55Mm	3	116	5136018389-4	Guide Plate of Opening Cover	2	5
81	6020310472-6	Heavy Elastic Pin Ø6 X 55Mm	3	5117	6020310296-0	Hexagonal Head Bolt 3/8" X 2" 16F Unc1A Gr5 Rp	2	5
82	6020010922-0	Nylon Belt Pmc 594 - 132 X 32 Mm	1	118	6020311175-7	French Head Bolt 1/2" X 1.5/8" 12FW Gr2 Rt	1	5
83	6020310254-5	French Head Bolt 1/2" X 3" 12FW Gr5 Rp	1	5119	6020350402-3	Rim 5,5" X 16" 16.392	2	5
84	6020311090-4	French Head Bolt 3/8" X 1.1/4" 16F Unc1A Gr2 Rp	8	120	6020310406-8	Tyre 750 X 16 X 10 Ply	2	5
85	6020311174-9	French Head Bolt 1/2" X 1.1/4" 12F W Gr2 Rt	4	5121	6020050356-5	Inner Tube 750X16	2	5
86	5136018098-4	Fixation Plate of Container	1	5				
87	6020050642-4	Container For Instruction Manual	1	5				
88	6020310019-4	Hexagonal Head Bolt 1/4" X 1" 20F Unc1A Gr2 Rt	4	5				
89	6020010402-4	Pressure Washer 1/4" Media Industry	4	5				
90	6020310742-3	Hexagonal Nut 1/4" 20F Unc Gr5 Ch.7/16" Height 5,50Mm	4	5				
91	6020058677-0	Cotter Sq.3/8" x 26mm	1	5				
92	5136017482-8	Guide Plate of Opening Cover	1	5				
93	6020310746-6	Hexagonal Nut 3/8" 16F Unc Gr5 Ch.9/16" Height 8,50Mm	2	5				
94	6020310759-8	Self-Locking Nut With Nylon 5/8" 11F Unc Gr5 Ch.15/16" H.19,50Mm	2	5				
95	6020310744-0	Hexagonal Nut 5/16" 18F Unc Gr5 Ch.1/2" Height 6,50Mm	13	5				
96	5040010921-1	Handle Bar	1	5				
97	5136015953-5	Opening Indicator Plate	1	5				
98	5530017559-6	Handle Support	1	5				
99	6020250453-4	Knob Female Thermoplastic - Thread 5/16" Unc	2	5				
100	6020310161-1	French Head Bolt 5/16" X 1" 18F Unc Gr2 Rt	11	5				
101	6020090569-8	Graduated Scale - 0 To 22	1	5				
102	5538010704-9	Lock W/Pin	1	5				
103	6020010406-7	Pressure Washer 3/8" Media Industry	2	5				
104	6020010404-0	Pressure Washer 5/16" Media Industry	1	5				
105	5024010073-5	Smooth Washer Ø8,5 X Ø20 X 2,00Mm	14	5				
106	5024010075-1	Smooth Washer Ø10,3 X Ø25 X 2,00Mm	21	5				
107	5024010239-8	Smooth Washer Ø16,5 X Ø37 X 3,00Mm	2	5				
108	5024010258-4	Smooth Washer Ø20 X Ø38,5 X 3,00Mm	1	5				

## • DCF-CO 3000 W/Hydraulic Motor



- \* Item 2 - See page 16
- \* Items 2, 3 and 14 - See page 17
- \* Items 5 and 6 - See page 18
- \* Items 7 and 11 - See page 19
- \* Item 8 - See page 20
- \* Items 9, 10 and 13 - See page 21

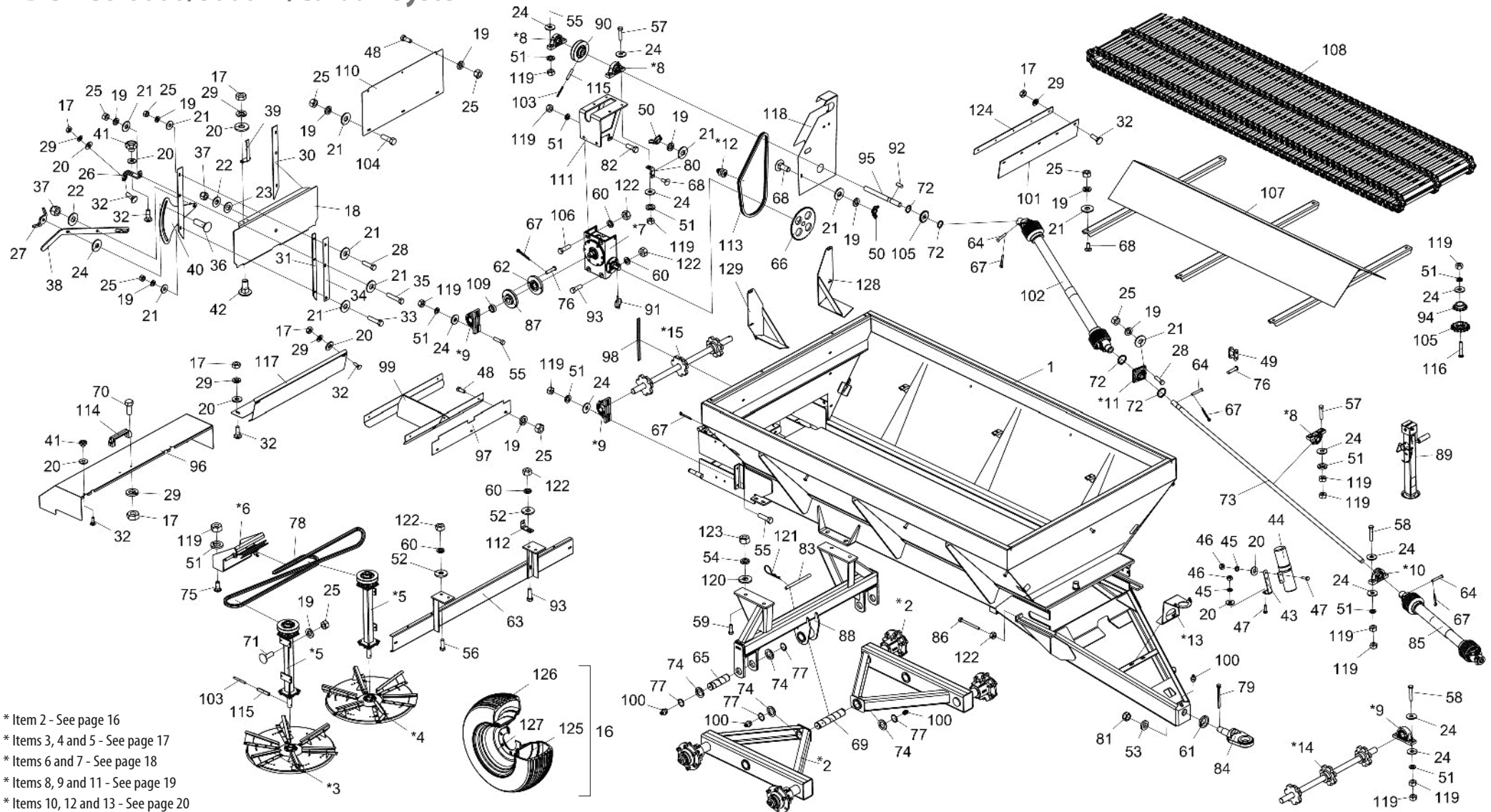
## • Table DCF-CO 3000 W/Hydraulic Motor

Item	Code	Product description	All	Item	Code	Product description	All
1	5091010140-1	Complete Bucket	1	37	5256030032-8	Sprocket 12 Teeth	1
*2	5530016957-0	Wheel Suppot	1	38	5256030033-6	Sprocket 16 Teeth	2
*3	5220010097-2	Complete Right Lime Distributor Disc	1	39	5256030045-0	Sprocket 48 Teeth	1
*4	5220010096-4	Complete Left Lime Distributor Disc	1	40	6020130108-7	Grease Fitting 1/8"	1
*5	5530011595-0	Support Of Complete Intermediaty Pulley	1	41	5464010069-1	Protection Cover	1
*6	6020058048-9	Transmision Box	1	42	6020010410-5	Pressure Washer 1/2" Media Industry	20
*7	5368010480-4	Complete Bearing Gye 30 Krrb	2	43	5024010327-0	Smooth Washer Ø45 X Ø87 X 12,00Mm	1
*8	5268010245-7	Complete Chain Stretcher	1	44	5024010217-7	Smooth Washer Ø39 X Ø68 X 12,00Mm	1
*9	5232010751-2	Complete Front Shaft	1	45	5530011564-0	Fixation Support Of Bearing	1
*10	5232010753-9	Complete Rear Shaft	1	46	5530010710-8	Fixation Support Of Cap	1
*11	5368010479-0	Complete Bearing Gy 1108 Krrb	4	47	5530010109-6	Fixation Small Support Of Cap	1
12	5498100005-9	Complete Wheel 750 X 16	2	48	5530011568-2	Protection Support	2
13	5056010005-9	Anti-Cavitation Block	1	49	5530011570-4	Protect Support	1
14	5530011600-0	Complete Support Of Stretcher	2	50	6020050081-7	Chain (Asa 50) 79 Links + Amendment	1
15	5448010039-8	Pulley Ø30 X Ø153,5 X 48,5Mm	1	51	5284040034-4	Flange 038,1 X 0140 X 34Mm	1
16	5140010028-8	Cotter Sq,5/16" X 19Mm	1	52	5284040035-2	Flange 038,1 X 0140 X 29Mm	1
17	6020390292-4	Lock Ø8 X 54Mm	1	53	6020317392-2	Hexagonal Head Bolt Ø5/8" x 7.1/2" 11F UNC GR5 RT	2
18	6020311160-9	French Head Bolt 3/8" X 1" 16F Unc1A Gr2 Rt	2	54	5080010983-0	Bushing Of Ø38,5 X Ø54 X 19,5Mm	1
19	6020311055-6	Hexagonal Head Bolt 1/2" X 2.1/4" 12F W Gr2 Rp	1	55	5136017482-8	Guide Plate of Opening Cover	2
20	6020312020-9	Hexagonal Head Bolt 5/16" X 3/4" 18F Unc1A Gr5 Rt	2	56	5136012126-0	Plate Of 820 X 365 X 2,00Mm	1
21	6020311075-0	Hexagonal Head Bolt 5/8" X 2.1/4" 11F Unc1A Gr5 Rp	2	57	5136017542-5	Plate 800 x 50 x 4.75 mm	1
22	6020310296-0	Hexagonal Head Bolt 3/8" X 2" 16F Unc1A Gr5 Rp	2	58	6020051088-0	Belt C-143	1
23	6020310049-6	Hexagonal Head Bolt 1/2" X 2" 12F W Gr5 Rp	7	59	5530011569-0	Rear Support	1
24	6020311051-3	Hexagonal Head Bolt 1/2" X 1.1/2" 12F W Gr2 Rt	2	60	5080011857-0	Motor Coupling Bushing	1
25	6020310180-8	Hexagonal Head Bolt 5/8" X 2" 11F Unc1A Gr5 Rp	4	61	6020311037-8	Hexagonal Head Bolt 3/8" X 2.1/2" 16F Unc1A Gr2 Rp	3
26	6020311058-0	Hexagonal Head Bolt 1/2" X 2.3/4" 12F W Gr5 Rp	4	62	5530017270-8	Gate Left Support	1
27	6020311094-7	Hexagonal Head Bolt 3/4" X 2.1/4" 10F Unc1A Gr5 Rt	4	63	6020010723-6	Clamp (Ag3)	3
28	5024010298-3	Smooth Washer Ø17 X Ø44 X 4,75Mm	4	64	5136017891-2	Plate 222 X 130 X 12,5mm	1
29	5024010007-7	Smooth Washer Ø20,3 X Ø46,5 X 4,75Mm	4	65	5530017344-5	Hydraulic Motor Fixation Support	1
30	6020310770-9	Hexagonal Nut 3/4" 10F Unc Gr5 Ch.1.7/32" Height 18,50Mm	4	66	6020311030-0	Hexagonal Head Bolt 3/8" X 5/8" 16F Unc1A Gr2 Rt	4
31	6020095894-5	Double Transport Belt With 86 Links	1	67	5068010160-1	Clamp	3
32	5332010114-6	Hitch Shakcle	1	68	5530017331-3	Hose Lateral Support	1
33	6020310857-8	Nut 1.1/2" 12F Unf Gr2 Ch.2" Height 30,00Mm	1	69	5464010592-8	Motor Shaft Protection	1
34	6020370264-0	Complete Support Of Lifting (Hydraulic Field Jack)	1	70	6020312519-7	Hexagonal Head Bolt 3/8" X 2.3/4" 16F Unc1A Gr5 Rp	1
35	5232190036-4	Shaft Ø30 X 345Mm	1	71	6020312300-3	Hexagonal Head Bolt 1/2" X 2.1/2" 12F W Gr5 Rp	2
36	6020010263-3	Retaining Oring	2	72	5464010594-4	Lower protection of Hydraulic Motor	1

## • Table DCF-CO 3000 W/Hydraulic Motor

Item	Code	Product description	All	Item	Code	Product description	All
73	6020310754-7	Hexagonal Nut 1/2" 12F W Gr5 Ch.7/8" Height 12,00Mm	25	109	6020250453-4	Knob Female Thermoplastic - Thread 5/16" Unc	2
74	6020395112-7	Tachometer	1	110	6020310161-1	French Head Bolt 5/16" X 1" 18F Unc Gr2 Rt	11
75	6020251739-3	Motor Omr-80-Cil A2-7/8-7/16(151-7241)	1	111	5530017430-1	Hose Lateral Support	1
76	5136017893-9	Fixation Plate of Hydraulic Motor	1	112	6020310142-5	French Head Bolt 5/16" X 3/4" 18F Unc1A Gr2 Rp	2
77	6020010395-8	Pressure Washer M12 Media	1	113	5530017431-0	Cover Fixation Support	1
78	6020310054-2	Hexagonal Head Bolt 3/8" X 1" 16F Unc1A Gr2 Rt	10	114	6020040004-5	Pressure Washer M8 Media	2
79	5530017269-4	Gate Right Support	1	115	5024010073-5	Smooth Washer Ø8,5 X Ø20 X 2,00Mm	14
80	5412010290-0	Nipple R.1/4" Bsp X M12 X 1,5 X 35Mm - Hexagonal 5/8"	1	116	6020311269-9	Hexagonal Head Bolt M8 X 1,25 X 20Mm Cl8.8 Rt	2
81	5412010058-3	Nipple R.1/2" Bsp(G) X R.7/8" Unf X 47Mm With Hexagonal 1"	2	117	6020310180-8	Hexagonal Head Bolt 5/8" X 2" 11F Unc1A Gr5 Rp	1
82	5024010013-1	Smooth Washer Ø10,6 X Ø44 X 3,00Mm	4	118	6020310760-1	Hexagonal Nut 5/8" 11F Unc Gr5 Ch.1.1/16" Height 15,00Mm	10
83	6020010063-0	O'Ring 2-116 N3006-90Nbr (18,72)	2	119	6020010412-1	Pressure Washer 5/8" Media Industry	8
84	6020311090-4	French Head Bolt 3/8" X 1.1/4" 16F Unc1A Gr2 Rp	12	120	5136018098-4	Fixation Plate of Container	1
85	6020311174-9	French Head Bolt 1/2" X 1.1/4" 12F W Gr2 Rt	4	121	6020050642-4	Container For Instruction Manual	1
86	6020090480-2	Chain T-26 C-2050	2	122	6020310019-4	Hexagonal Head Bolt 1/4" X 1" 20F Unc1A Gr2 Rt	4
87	6020030104-0	Nut Ø3/8" 16F Unc	2	123	6020010402-4	Pressure Washer 1/4" Media Industry	4
88	6020010414-8	Pressure Washer 3/4" Media Industry	4	124	6020310742-3	Hexagonal Nut 1/4" 20F Unc Gr5 Ch.7/16" Height 5,50Mm	4
89	5464010581-2	Protector 796 X 152 x 3/16"	1	125	6020058677-0	Cotter Sq.3/8" x 26mm	1
90	5106010189-6	Belt Protection Cover	1	126	5538010704-9	Lock W/Pin	1
91	5464010071-3	Protection 125 X 3/16" X 794Mm	1	127	6020010406-7	Pressure Washer 3/8" Media Industry	41
92	5464010072-1	Internal Protection Of Belt	1	128	6020010404-0	Pressure Washer 5/16" Media Industry	13
93	6020310658-3	Pin Ø9,1 x 38 mm	4	129	5024010075-1	Smooth Washer Ø10,3 X Ø25 X 2,00Mm	29
94	6020050118-0	Cotterpin 1/4" X 2.1/2"	1	130	5024010239-8	Smooth Washer Ø16,5 X Ø37 X 3,00Mm	2
95	6020050101-5	Cotterpin 1/8" X 1"	3	131	5024010258-4	Smooth Washer Ø20 X Ø38,5 X 3,00Mm	1
96	6020310510-2	Heavy Elastic Pin Ø10 X 55Mm	3	132	5024010068-9	Smooth Washer Ø13,3 X Ø35,5 X 3,00Mm	20
97	6020310472-6	Heavy Elastic Pin Ø6 X 55Mm	3	133	5558010534-2	Complete Lock	1
98	6020010922-0	Nylon Belt Pmc 594 - 132 X 32 Mm	1	134	6020311034-3	Hexagonal Head Bolt 3/8" X 1.3/4" 16F Unc1A Gr2 Rp	2
99	6020090569-8	Graduated Scale - 0 To 22	1	135	5530016958-8	Support of Opening Cover	2
100	6020311057-2	Hexagonal Head Bolt 1/2" X 3" 12F W Gr5 Rp	1	136	6020311034-3	Hexagonal Head Bolt 3/8" X 1.3/4" 16F Unc1A Gr2 Rp	2
101	5372011064-0	Hose Ø1/2" X 5400Mm With 1Trg And 1Trf With Male Quickly Coupling	2	137	5136018389-4	Guide Plate of Opening Cover	1
102	5372011158-2	Hose Ø1/4" X 4700mm com 1Trg and 1Trf W/Male Quickly Coupling	1	138	6020310296-0	Hexagonal Head Bolt 3/8" X 2" 16F Unc1A Gr5 Rp	1
103	6020310746-6	Hexagonal Nut 3/8" 16F Unc Gr5 Ch.9/16" Height 8,50Mm	31	139	6020311175-7	French Head Bolt 1/2" X 1.5/8" 12F W Gr2 Rt	1
104	6020310759-8	Self-Locking Nut With Nylon 5/8" 11F Unc Gr5 Ch.15/16" H.19,50Mm	2	140	6020350402-3	Rim 5,5" X 16" 16.392	2
105	6020310744-0	Hexagonal Nut 5/16" 18F Unc Gr5 Ch.1/2" Height 6,50Mm	13	141	6020310406-8	Tyre 750 X 16 X 10 Ply	2
106	5040010921-1	Handle Bar	1	142	6020050356-5	Inner Tube 750X16	2
107	5136015953-5	Opening Indicator Plate	1				
108	5530017559-6	Handle Support	1				

## • DCF-CO 6000/8000 W/Cardan System



- \* Item 2 - See page 16
- \* Items 3, 4 and 5 - See page 17
- \* Items 6 and 7 - See page 18
- \* Items 8, 9 and 11 - See page 19
- \* Items 10, 12 and 13 - See page 20
- \* Items 14 and 15 - See page 21

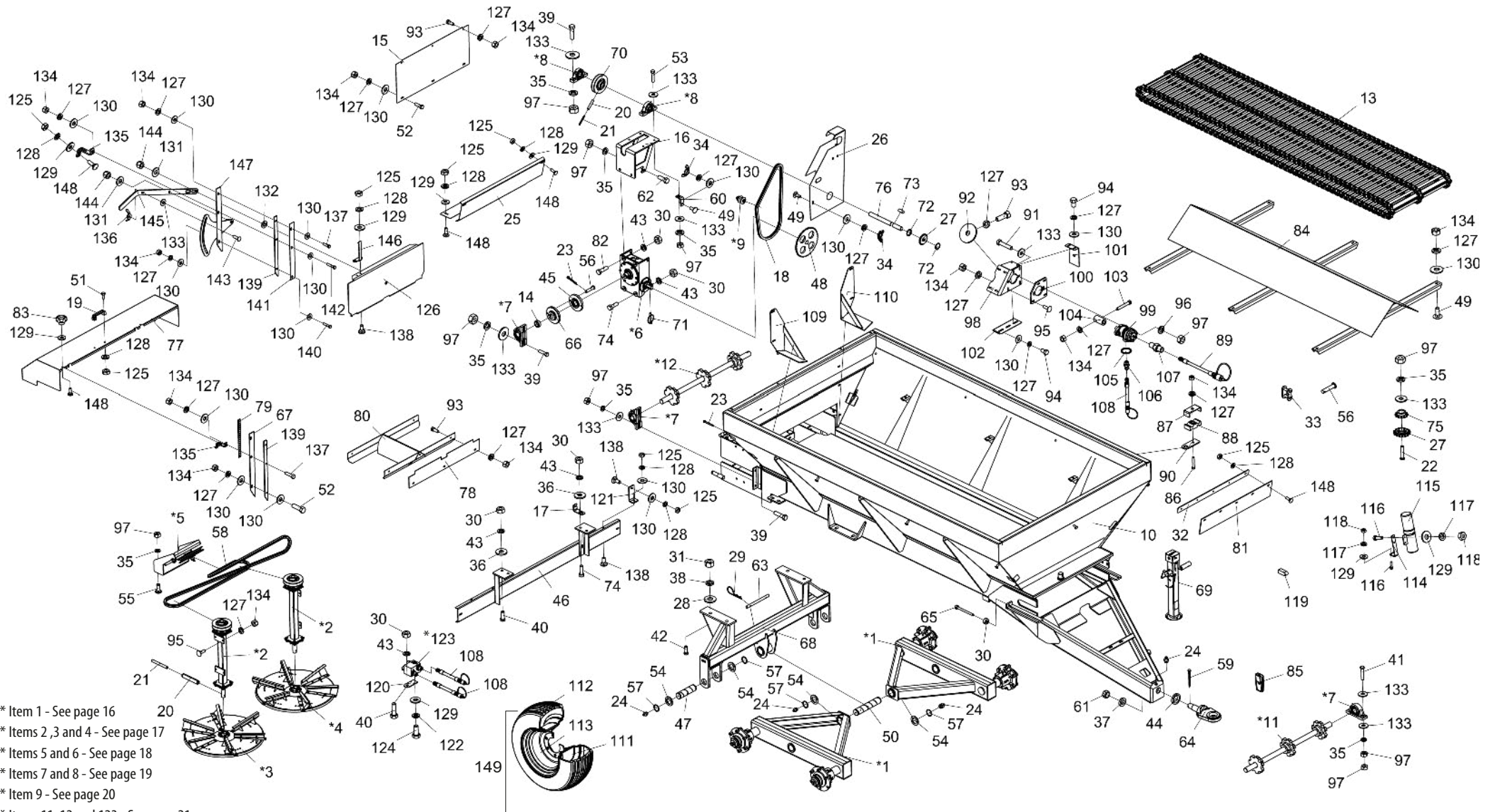
## • Table DCF-CO 6000/8000 W/Cardan System

Item	Code	Product description	DCF-CO 6000		Item	Code	Product description	DCF-CO 8000	
			All	DCF-CO 6000				All	DCF-CO 8000
1	5091010126-6	Complete Bucket		1	35	6020310296-0	Hexagonal Head Bolt 3/8" X 2" 16F Unc1A Gr5 Rp	1	
1	5091010125-8	Complete Bucket			36	6020311175-7	French Head Bolt 1/2" X 1.5/8" 12FW Gr2 Rt	1	
*2	5530016954-5	Complete Wheel Support	2		37	6020310759-8	Self-Locking Nut With Nylon 5/8" 11F Unc Gr5 Ch.15/16" H.19,50Mm	2	
*3	5220010097-2	Complete Right Lime Distributor Disc	1		38	5040010921-1	Handle Bar	1	
*4	5220010096-4	Complete Left Lime Distributor Disc	1		39	5136015953-5	Opening Indicator Plate	1	
*5	5530011600-0	Complete Support Of Stretcher	2		40	5530017559-6	Handle Support	1	
*6	5530011595-0	Support Of Complete Intermediaty Pulley	1		41	6020250453-4	Knob Female Thermoplastic - Thread 5/16" Unc	2	
*7	6020058048-9	Transmission Box	1		42	6020310142-5	French Head Bolt 5/16" X 3/4" 18F Unc1A Gr2 Rp	2	
*8	5368010480-4	Complete Bearing Gye 30 Krrb	3		43	5136018098-4	Fixation Plate of Container	1	
*9	5368010479-0	Complete Bearing Gy 1108 Krrb	4		44	6020050642-4	Container For Instruction Manual	1	
*10	5368030012-3	Complete Support Bearing	1		45	6020010402-4	Pressure Washer 1/4" Media Industry	4	
*11	5368010481-2	Mounted Bearing F-206	1		46	6020310742-3	Hexagonal Nut 1/4" 20F Unc Gr5 Ch.7/16" Height 5,50Mm	4	
*12	5268010245-7	Complete Chain Stretcher	1		47	6020310019-4	Hexagonal Head Bolt 1/4" X 1" 20F Unc1A Gr2 Rt	4	
*13	5530011188-1	Support Of Cardan	1		48	6020310054-2	Hexagonal Head Bolt 3/8" X 1" 16F Unc1A Gr2 Rt	6	
*14	5232010751-2	Complete Front Shaft	1		49	6020090480-2	Chain T-26 C-2050	2	
*15	5232010753-9	Complete Rear Shaft	1		50	6020030104-0	Nut Ø3/8" 16F Unc	1	
16	5498100005-9	Complete Wheel 750 X 16		4	51	6020010410-5	Pressure Washer 1/2" Media Industry	23	
16	5498100072-5	Complete Wheel 11 X 15 - BI 10 Ply			52	5024010298-3	Smooth Washer Ø17 X Ø44 X 4,75Mm	4	
17	6020310744-0	Hexagonal Nut 5/16" 18F Unc Gr5 Ch.1/2" Height 6,50Mm	13		53	5024010217-7	Smooth Washer Ø39 X Ø68 X 12,00Mm	1	
18	5538010704-9	Lock W/Pin	1		54	6020010414-8	Pressure Washer 3/4" Media Industry	4	
19	6020010406-7	Pressure Washer 3/8" Media Industry	35		55	6020311054-8	Hexagonal Head Bolt 1/2" X 2" 12F W Gr2 Rp		7
20	5024010073-5	Smooth Washer Ø8,5 X Ø20 X 2,00Mm	14		55	6020310049-6	Hexagonal Head Bolt 1/2" X 2" 12F W Gr5 Rp		7
21	5024010075-1	Smooth Washer Ø10,3 X Ø25 X 2,00Mm	27		56	6020310180-8	Hexagonal Head Bolt 5/8" X 2" 11F Unc1A Gr5 Rp	4	
22	5024010239-8	Smooth Washer Ø16,5 X Ø37 X 3,00Mm	1		57	6020311055-6	Hexagonal Head Bolt 1/2" X 2.1/4" 12F W Gr2 Rp	3	
23	5024010258-4	Smooth Washer Ø20 X Ø38,5 X 3,00Mm	1		58	6020311058-0	Hexagonal Head Bolt 1/2" X 2.3/4" 12F W Gr5 Rp	6	
24	5024010068-9	Smooth Washer Ø13,3 X Ø35,5 X 3,00Mm	25		59	6020311094-7	Hexagonal Head Bolt 3/4" X 2.1/4" 10F Unc1A Gr5 Rt	4	
25	6020310746-6	Hexagonal Nut 3/8" 16F Unc Gr5 Ch.9/16" Height 8,50Mm	33		60	6020010412-1	Pressure Washer 5/8" Media Industry	8	
26	5530011568-2	Protection Support	2		61	5024010327-0	Smooth Washer Ø45 X Ø87 X 12,00Mm	1	
27	5558010534-2	Complete Lock	1		62	5284040034-4	Flange 038,1 X 0140 X 34Mm	1	
28	6020311034-3	Hexagonal Head Bolt 3/8" X 1.3/4" 16F Unc1A Gr2 Rp	1		63	5530011569-0	Rear Support	1	
29	6020010404-0	Pressure Washer 5/16" Media Industry	13		64	6020310827-6	Pin Ø9,10 X 51,85 mm	3	
30	5136017482-8	Guide Plate of Opening Cover	2		65	5232190008-9	Shaft 050 X 180Mm	2	
31	5530016958-8	Support of Opening Cover	2		66	5256030045-0	Sprocket 48 Teeth	1	
32	6020310161-1	French Head Bolt 5/16" X 1" 18F Unc Gr2 Rt	11		67	6020050101-5	Cotterpin 1/8" X 1"	9	
33	6020311034-3	Hexagonal Head Bolt 3/8" X 1.3/4" 16F Unc1A Gr2 Rp		5	68	6020311160-9	French Head Bolt 3/8" X 1" 16F Unc1A Gr2 Rt	8	
34	5136018389-4	Guide Plate of Opening Cover	2		69	5232190009-7	Shaft 050 X 266Mm	1	

## • Table DCF-CO 6000/8000 W/Cardan System

Item	Code	Product description	All	DCF-CO 6000	DCF-CO 8000	Item	Code	Product description	All	DCF-CO 6000	DCF-CO 8000
70	6020312020-9	Hexagonal Head Bolt 5/16" X 3/4" 18F Unc1A Gr5 Rt	2			105	5256030033-6	Sprocket 16 Teeth	2		
71	6020311090-4	French Head Bolt 3/8" X 1.1/4" 16F Unc1A Gr2 Rp	8			106	6020311075-0	Hexagonal Head Bolt 5/8" X 2.1/4" 11F Unc1A Gr5 Rp	2		
72	6020010263-3	Retaining Oring	4			107	5207010003-7	Transport Belt	1		
73	5232010755-5	Shaft Ø30 X 2398Mm	1			108	6020090566-3	Double Transport Belt With 111 Links	1		
74	5024010222-3	Smooth Washer Ø50,5 X Ø76 X 6.30Mm	6			109	5080010983-0	Bushing Of Ø38,5 X Ø54 X 19,5Mm	1		
75	6020311174-9	French Head Bolt 1/2" X 1.1/4" 12F W Gr2 Rt	4			110	5136012126-0	Plate Of 820 X 365 X 2,00Mm	1		
76	6020310658-3	Pin Ø9,1 x 38 mm	4			111	5530011564-0	Fixation Support Of Bearing	1		
77	6020010294-3	Retaining Ring E-50	6			112	5530010710-8	Fixation Support Of Cap	1		
78	6020051088-0	Belt C-143	1			113	6020050081-7	Chain (Asa 50) 79 Links + Amendment	1		
79	6020050118-0	Cotterpin 1/4" X 2.1/2"	1			114	6020010922-0	Nylon Belt Pmc 594 - 132 X 32 Mm	1		
80	5530010109-6	Fixation Small Support Of Cap	1			115	6020310510-2	Heavy Elastic Pin Ø10 X 55Mm	3		
81	6020310857-8	Nut 1.1/2" 12F Unf Gr2 Ch.2" Height 30,00Mm	1			116	6020310254-5	French Head Bolt 1/2" X 3" 12F W Gr5 Rp		1	
82	6020311051-3	Hexagonal Head Bolt 1/2" X 1.1/2" 12F W Gr2 Rt	2			116	6020317484-8	French Head Bolt 1/2" X 4" 12F W Gr2 Rp			1
83	5432010763-9	Lock Pin of Wheel Support	1			117	5464010072-1	Internal Protection Of Belt	1		
84	5332010018-2	Spare Hitch Shackle	1			118	5106010082-2	Belt Protector	1		
85	6020050178-3	Agricultural Cardan Shaft 790 Mm (Closed)	1			119	6020310754-7	Hexagonal Nut 1/2" 12F W Gr5 Ch.7/8" Height 12,00Mm	31		
86	6020312093-4	Hexagonal Head Bolt 5/8" X 7.1/2" 11F Unc Gr5 Rp	2			120	5024010007-7	Smooth Washer Ø20,3 X Ø46,5 X 4,75Mm	4		
87	5284040035-2	Flange 038,1 X 0140 X 29Mm	1			121	6020390296-7	Lock Nma - Type "R" Ø2,0 X 59Mm(Bichromatized)	2		
88	5530016956-1	Wheel Support	1			122	6020310760-1	Hexagonal Nut 5/8" 11F Unc Gr5 Ch.1.1/16" Height 15,00Mm	10		
89	6020370264-0	Complete Support Of Lifting (Hydraulic Field Jack)	1			123	6020310770-9	Hexagonal Nut 3/4" 10F Unc Gr5 Ch.1.7/32" Height 18,50Mm	4		
90	5448010039-8	Pulley Ø30 X Ø153,5 X 48,5Mm	1			124	5136017542-5	Plate 800 x 50 x 4.75 mm	1		
91	6020390292-4	Lock Ø8 X 54Mm	1			125	6020050356-5	Inner Tube 750X16		4	
92	5140010028-8	Cotter Sq.5/16" X 19Mm	1			125	6020050362-0	Inner Tube Pa 15/16			4
93	6020310180-8	Hexagonal Head Bolt 5/8" X 2" 11F Unc1A Gr5 Rp	5			126	6020310406-8	Tyre 750 X 16 X 10 Ply		4	
94	5256030032-8	Sprocket 12 Teeth	1			126	6020310413-0	Tyre 11X15 BI 10Ply			4
95	5232190036-4	Shaft Ø30 X 345Mm	1			127	6020350402-3	Rim 5,5" X 16" 16.392		4	
96	5464010069-1	Protection Cover	1			127	6020350397-3	Rim 10.0 Ply x15" (Wheel 11X15)			4
97	5464010071-3	Protection 125 X 3/16" X 794Mm	1			128	5530017270-8	Gate Left Support	1		
98	6020090569-8	Graduated Scale - 0 To 22	1			129	5530017269-4	Gate Right Support	1		
99	5530011570-4	Protect Support	1								
100	6020130108-7	Grease Fitting 1/8"	5								
101	5464010581-2	Protector 796 X 152 x 3/16"	1								
102	6020050161-9	Cardan Cria 302/2 X 302/2 X 900Tb With Cp (Stu)	1								
103	6020310472-6	Heavy Elastic Pin Ø6 X 55Mm	3								
104	6020310026-7	Hexagonal Head Bolt 3/8" X 1.1/4" 16F Unc1A Gr5 Rt		7	5						

## • DCF-CO 6000/8000 W/Hydraulic Motor



- \* Item 1 - See page 16
- \* Items 2,3 and 4 - See page 17
- \* Items 5 and 6 - See page 18
- \* Items 7 and 8 - See page 19
- \* Item 9 - See page 20
- \* Items 11, 12 and 123 - See page 21

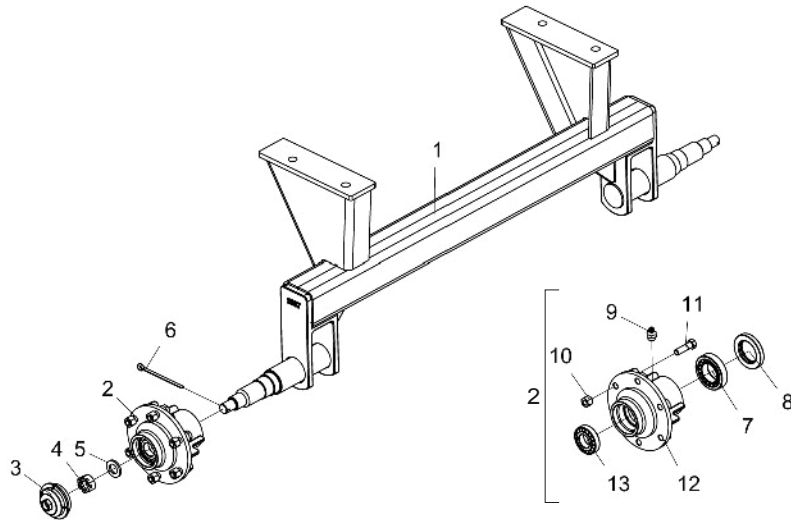
## • Table DCF-CO 6000/8000 W/Hydraulic Motor

Item	Code	Product description	All	DCF-CO 6000	DCF-CO 8000	Item	Code	Product description	All	DCF-CO 6000	DCF-CO 8000
*1	5530016954-5	Complete Wheel Support	2			39	6020310049-6	Hexagonal Head Bolt 1/2" X 2" 12F W Gr5 Rp	7		
*2	5530011600-0	Complete Support Of Stretcher	2			40	6020310180-8	Hexagonal Head Bolt 5/8" X 2" 11F Unc1A Gr5 Rp	4		
*3	5220010097-2	Complete Right Lime Distributor Disc	1			41	6020311058-0	Hexagonal Head Bolt 1/2" X 2.3/4" 12F W Gr5 Rp	4		
*4	5220010096-4	Complete Left Lime Distributor Disc	1			42	6020311094-7	Hexagonal Head Bolt 3/4" X 2.1/4" 10F Unc1A Gr5 Rt	4		
*5	5530011595-0	Support Of Complete Intermediaty Pulley	1			43	6020010412-1	Pressure Washer 5/8" Media Industry	8		
*6	6020058048-9	Transmission Box	1			44	5024010327-0	Smooth Washer Ø45 X Ø87 X 12,00Mm	1		
*7	5368010479-0	Complete Bearing Gy 1108 Krrb	4			45	5284040034-4	Flange 038,1 X 0140 X 34Mm	1		
*8	5368010480-4	Complete Bearing Gye 30 Krrb	2			46	5530011569-0	Rear Support	1		
*9	5268010245-7	Complete Chain Stretcher	1			47	5232190008-9	Shaft 050 X 180Mm	2		
10	5091010139-8	Complete Bucket		1		48	5256030045-0	Sprocket 48 Teeth	1		
10	5091010138-0	Complete Bucket			1	49	6020311160-9	French Head Bolt 3/8" X 1" 16F Unc1A Gr2 Rt	8		
*11	5232010751-2	Complete Front Shaft	1			50	5232190009-7	Shaft 050 X 266Mm	1		
*12	5232010753-9	Complete Rear Shaft	1			51	6020312020-9	Hexagonal Head Bolt 5/16" X 3/4" 18F Unc1A Gr5 Rt	2		
13	6020090566-3	Double Transport Belt With 111 Links	1			52	6020310026-7	Hexagonal Head Bolt 3/8" X 1.1/4" 16F Unc1A Gr5 Rt	5		
14	5080010983-0	Bushing Of Ø38,5 X Ø54 X 19,5Mm	1			53	6020311055-6	Hexagonal Head Bolt 1/2" X 2.1/4" 12F W Gr2 Rp	1		
15	5136012126-0	Plate Of 820 X 365 X 2,00Mm	1			54	5024010222-3	Smooth Washer Ø50,5 X Ø76 X 6.30Mm	6		
16	5530011564-0	Fixation Support Of Bearing	1			55	6020311174-9	French Head Bolt 1/2" X 1.1/4" 12F W Gr2 Rt	4		
17	5530010710-8	Fixation Support Of Cap	1			56	6020310658-3	Pin Ø9,1 x 38 mm	4		
18	6020050081-7	Chain (Asa 50) 79 Links + Amendment	1			57	6020010294-3	Retaining Ring E-50	6		
19	6020010922-0	Nylon Belt Pmc 594 - 132 X 32 Mm	1			58	6020051088-0	Belt C-143	1		
20	6020310510-2	Heavy Elastic Pin Ø10 X 55Mm	3			59	6020050118-0	Cotterpin 1/4" X 2.1/2"	1		
21	6020310472-6	Heavy Elastic Pin Ø6 X 55Mm	3			60	5530010109-6	Fixation Small Support Of Cap	1		
22	6020311057-2	Hexagonal Head Bolt 1/2" X 3" 12F W Gr5 Rp	1			61	6020310857-8	Nut 1.1/2" 12F Unf Gr2 Ch.2" Height 30,00Mm	1		
23	6020050101-5	Cotterpin 1/8" X 1"		3	4	62	6020311051-3	Hexagonal Head Bolt 1/2" X 1.1/2" 12F W Gr2 Rt	2		
24	6020130108-7	Grease Fitting 1/8"	5			63	5432010763-9	Lock Pin of Wheel Support	1		
25	5464010072-1	Internal Protection Of Belt	1			64	5332010018-2	Spare Hitch Shackle	1		
26	5106010189-6	Belt Protection Cover	1			65	6020317392-2	Hexagonal Head Bolt Ø5/8" x 7.1/2" 11F UNC GR5 RT	2		
27	5256030033-6	Sprocket 16 Teeth	2			66	5284040035-2	Flange 038,1 X 0140 X 29Mm	1		
28	5024010007-7	Smooth Washer Ø20,3 X Ø46,5 X 4,75Mm	4			67	5136017482-8	Guide Plate of Openning Cover	2		
29	6020390296-7	Lock Nma - Type "R" Ø2,0 X 59Mm(Bichromatized)	2			68	5530016956-1	Wheel Support	1		
30	6020310760-1	Hexagonal Nut 5/8" 11F Unc Gr5 Ch.1.1/16" Height 15,00Mm	10			69	6020370264-0	Complete Support Of Lifting (Hydraulic Field Jack)	1		
31	6020310770-9	Hexagonal Nut 3/4" 10F Unc Gr5 Ch.1.7/32" Height 18,50Mm	4			70	5448010039-8	Pulley Ø30 X Ø153,5 X 48,5Mm	1		
32	5136017542-5	Plate 800 x 50 x 4.75 mm	1			71	6020390292-4	Lock Ø8 X 54Mm	1		
33	6020090480-2	Chain T-26 C-2050	2			72	6020010263-3	Retaining Oring	2		
34	6020030104-0	Nut Ø3/8" 16F Unc	2			73	5140010028-8	Cotter Sq.5/16" X 19Mm	1		
35	6020010410-5	Pressure Washer 1/2" Media Industry	20			75	5256030032-8	Sprocket 12 Teeth	1		
36	5024010298-3	Smooth Washer Ø17 X Ø44 X 4,75Mm	4			76	5232190036-4	Shaft Ø30 X 345Mm	1		
37	5024010217-7	Smooth Washer Ø39 X Ø68 X 12,00Mm	1			77	5464010069-1	Protection Cover	1		
38	6020010414-8	Pressure Washer 3/4" Media Industry	4			78	5464010071-3	Protection 125 X 3/16" X 794Mm	1		

## • Table DCF-CO 6000/8000 W/Hydraulic Motor

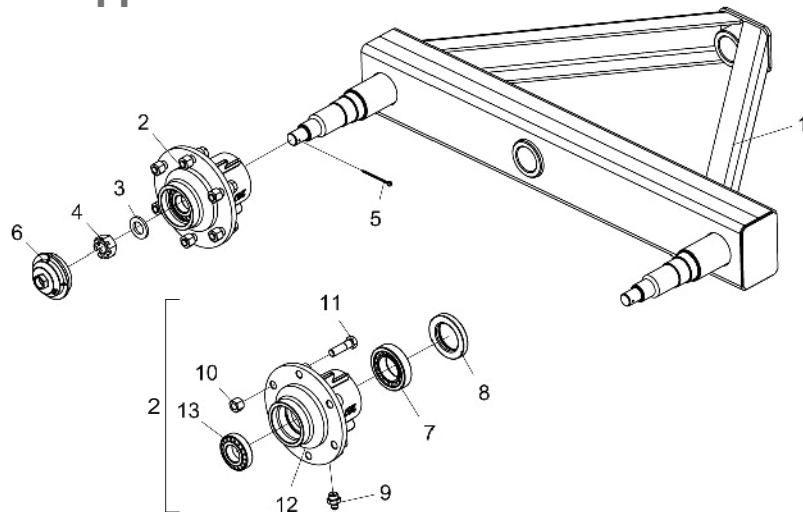
Item	Code	Product description	All	DCF-CO 6000	DCF-CO 8000	Item	Code	Product description	All	DCF-CO 6000	DCF-CO 8000
79	6020090569-8	Graduated Scale - 0 To 22	1			115	6020050642-4	Container For Instruction Manual	1		
80	5530011570-4	Protect Support	1			116	6020310019-4	Hexagonal Head Bolt 1/4" X 1" 20F Unc1A Gr2 Rt	2		
81	5464010581-2	Protector 796 X 152 x 3/16"	1			117	6020010402-4	Pressure Washer 1/4" Media Industry	4		
82	6020311075-0	Hexagonal Head Bolt 5/8" X 2.1/4" 11F Unc1A Gr5 Rp	2			118	6020310742-3	Hexagonal Nut 1/4" 20F Unc Gr5 Ch.7/16" Height 5,50Mm	4		
83	6020250453-4	Knob Female Thermoplastic - Thread 5/16" Unc	2			119	6020058677-0	Cotter Sq.3/8" x 26mm	1		
84	5207010003-7	Transport Belt	1			120	5530017430-1	Hose Lateral Support	1		
85	6020395112-7	Tachometer	1			121	5530017431-0	Cover Fixation Support	1		
86	6020311037-8	Hexagonal Head Bolt 3/8" X 2.1/2" 16F Unc1A Gr2 Rp	3			123	5056010005-9	Anti-Cavitation Block	1		
87	5068010160-1	Clamp	3			124	6020311269-9	Hexagonal Head Bolt M8 X 1,25 X 20Mm Cl8.8 Rt	2		
88	6020010723-6	Clamp (Ag3)	3			125	6020310744-0	Hexagonal Nut 5/16" 18F Unc Gr5 Ch.1/2" Height 6,50Mm	15		
89	5372011070-5	Hose Ø1/4" X 6400Mm With 1Trg And 1TrfWith Male Quickly Coupling	1			126	5538010704-9	Lock W/Pin	1		
90	5530017331-3	Hose Lateral Support	1			127	6020010406-7	Pressure Washer 3/8" Media Industry	49		
91	6020312300-3	Hexagonal Head Bolt 1/2" X 2.1/2" 12F W Gr5 Rp	2			128	6020010404-0	Pressure Washer 5/16" Media Industry	15		
92	5024010013-1	Smooth Washer Ø10,6 X Ø44 X 3,00Mm	4			129	5024010073-5	Smooth Washer Ø8,5 X Ø20 X 2,00Mm	16		
93	6020310054-2	Hexagonal Head Bolt 3/8" X 1" 16F Unc1A Gr2 Rt	12			130	5024010075-1	Smooth Washer Ø10,3 X Ø25 X 2,00Mm	37		
94	6020311030-0	Hexagonal Head Bolt 3/8" X 5/8" 16F Unc1A Gr2 Rt	4			131	5024010239-8	Smooth Washer Ø16,5 X Ø37 X 3,00Mm	1		
95	6020311090-4	French Head Bolt 3/8" X 1.1/4" 16F Unc1A Gr2 Rp	12			132	5024010258-4	Smooth Washer Ø20 X Ø38,5 X 3,00Mm	1		
96	6020010395-8	Pressure Washer M12 Media	1			133	5024010068-9	Smooth Washer Ø13,3 X Ø35,5 X 3,00Mm	20		
97	6020310754-7	Hexagonal Nut 1/2" 12F W Gr5 Ch.7/8" Height 12,00Mm	25			134	6020310746-6	Hexagonal Nut 3/8" 16F Unc Gr5 Ch.9/16" Height 8,50Mm	39		
98	5530017343-7	Fixation Support of Hydraulic Motor	1			135	5530011568-2	Protection Support	2		
99	6020251739-3	Motor Omr-80-Cil A2-7/8-7/16(151-7241)	1			136	5558010534-2	Complete Lock	1		
100	5136017893-9	Fixation Plate of Hydraulic Motor	1			137	5136018389-4	Guide Plate of Opening Cover	1		
101	5464010592-8	Motor Shaft Protection	1			138	6020310142-5	French Head Bolt 5/16" X 3/4" 18F Unc1A Gr2 Rp	4		
102	5464010593-6	Lower Protection of Hydraulic Motor	1			139	5530016958-8	Support of Opening Cover	2		
103	6020312519-7	Hexagonal Head Bolt 3/8" X 2.3/4" 16F Unc1A Gr5 Rp	1			140	6020311034-3	Hexagonal Head Bolt 3/8" X 1.3/4" 16F Unc1A Gr2 Rp	1		
104	5080011857-0	Motor Coupling Bushing	1			142	6020310296-0	Hexagonal Head Bolt 3/8" X 2" 16F Unc1A Gr5 Rp	2		
105	6020010063-0	O' Ring 2-116 N3006-90Nbr (18,72)	2			143	6020311175-7	French Head Bolt 1/2" X 1.5/8" 12F W Gr2 Rt	1		
106	5412010058-3	Nipple R.1/2" Bsp(G) X R.7/8" Unf X 47Mm With Hexagonal 1"	2			144	6020310759-8	Self-Locking Nut With Nylon 5/8" 11F Unc Gr5 Ch.15/16" H.19,50Mm	2		
107	5412010290-0	Nipple R.1/4" Bsp X M12 X 1,5 X 35Mm - Hexagonal 5/8"	1			145	5040010921-1	Handle Bar	1		
108	5372011064-0	Hose Ø1/2" X 5400Mm With 1Trg And 1TrfWith Male Quickly Coupling	2			146	5136015953-5	Opening Indicator Plate	1		
109	5530017269-4	Gate Right Support	1			147	5530017559-6	Handle Support	1		
110	5530017270-8	Gate Left Support	1			148	6020310161-1	French Head Bolt 5/16" X 1" 18F Unc Gr2 Rt	11		
111	6020050356-5	Inner Tube 750X16		4		149	5498100005-9	Complete Wheel 750 X 16		4	
111	6020050362-0	Inner Tube Pa 15/16			4	149	5498100072-5	Complete Wheel 11 X 15 - BI 10 Ply			4
112	6020310406-8	Tyre 750 X 16 X 10 Ply		4							
112	6020310413-0	Tyre 11X15 BI 10Ply			4						
113	6020350402-3	Rim 5,5" X 16" 16.392		4							
113	6020350397-3	Rim 10.0 Ply x15" (Wheel 11X15)			4						
114	5136018098-4	Fixation Plate of Container	1								

## • Wheel Support DCF-CO 3000



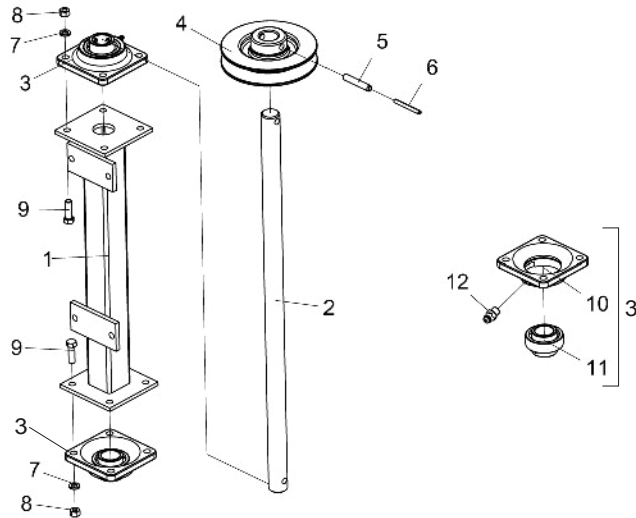
Item	Code	Product description	All
1	5232012197-3	Wheel Support Shaft	1
2	5204010535-2	Complete Wheel Hub	2
3	5096010053-8	Wheel Hub Cap	2
4	6020310800-4	Nut 1" 14F Uns Gr5 Ch.1.1/2" Height 22,00Mm	2
5	5024010039-5	Smooth Washer Ø26,2 X Ø44 X 4,75Mm	2
6	6020050108-2	Cotterpin 3/16" X 2"	2
7	6020350056-7	Bearing 32210	2
8	6020350224-1	Retainer Ø55,00 X Ø90,00 X 12,50Mm	2
9	6020130108-7	Grease Fitting 1/8"	2
10	6020310816-0	Double Conic Hexagonal Nut Of Wheel 9/16" 18F Unf Gr5 Ch.7/8" Height 19,00Mm	12
11	6020310998-1	Hexagonal Head Bolt 9/16" X 2" 18F Unf1A Gr5 Rp	12
12	5204010536-0	Wheel Hub	2
13	6020350080-0	Bearing 30207	2

## • Wheel Support DCF-CO 6000/8000



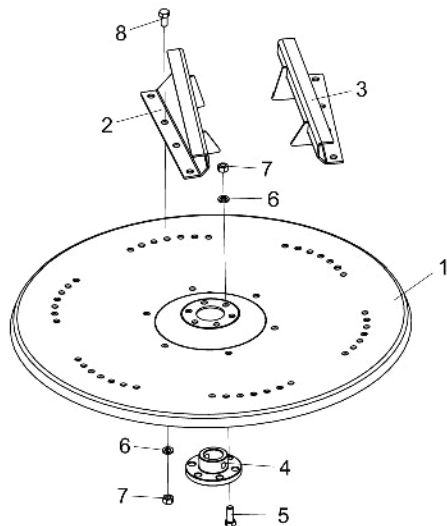
Item	Code	Product description	All
1	5530016955-3	Wheel Support	1
2	5204010535-2	Complete Wheel Hub	2
3	5024010039-5	Smooth Washer Ø26,2 X Ø44 X 4,75Mm	2
4	6020310800-4	Nut 1" 14F Uns Gr5 Ch.1.1/2" Height 22,00Mm	2
5	6020050108-2	Cotterpin 3/16" X 2"	2
6	5096010053-8	Wheel Hub Cap	2
7	6020350056-7	Bearing 32210	4
8	6020350224-1	Retainer Ø55,00 X Ø90,00 X 12,50Mm	4
9	6020130108-7	Grease Fitting 1/8"	4
10	6020310816-0	Double Conic Hexagonal Nut Of Wheel 9/16" 18F Unf Gr5 Ch.7/8" Height 19,00Mm	24
11	6020310998-1	Hexagonal Head Bolt 9/16" X 2" 18F Unf1A Gr5 Rp	24
12	5204010536-0	Wheel Hub	4
13	6020350080-0	Bearing 30207	4

## • Complete Support Of Stretcher



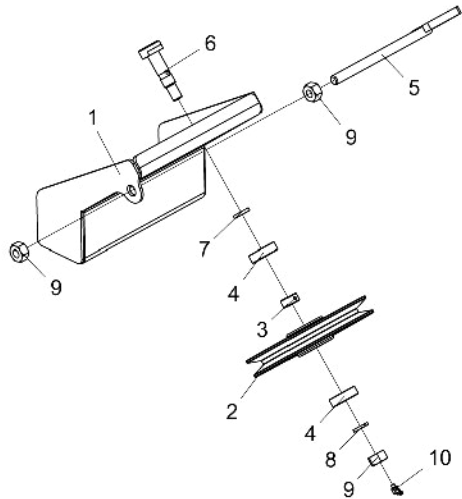
Item	Code	Product description	All
1	5530030112-5	Support Of Distributor	1
2	5232010760-1	Shaft Ø30 X 695Mm	1
3	5368010481-2	Mounted Bearing F-206	2
4	5448010039-8	Pulley Ø30 X Ø153,5 X 48,5Mm	1
5	6020310510-2	Heavy Elastic Pin Ø10 X 55Mm	1
6	6020310472-6	Heavy Elastic Pin Ø6 X 55Mm	1
7	6020010406-7	Pressure Washer 3/8" Media Industry	8
8	6020310746-6	Hexagonal Nut 3/8" 16F Unc Gr5 Ch.9/16" Height 8,50Mm	8
9	6020310026-7	Hexagonal Head Bolt 3/8" X 1.1/4" 16F Unc1A Gr5 Rt	8
10	6020250425-9	Bearing F-206 (Frm)	2
11	6020350107-5	Bearing Gye-30 Kbbr (Ina Nacional)	2
12	6020130100-1	Grease Fitting 1/4"	2

## • Complete Lime Distributor Disc



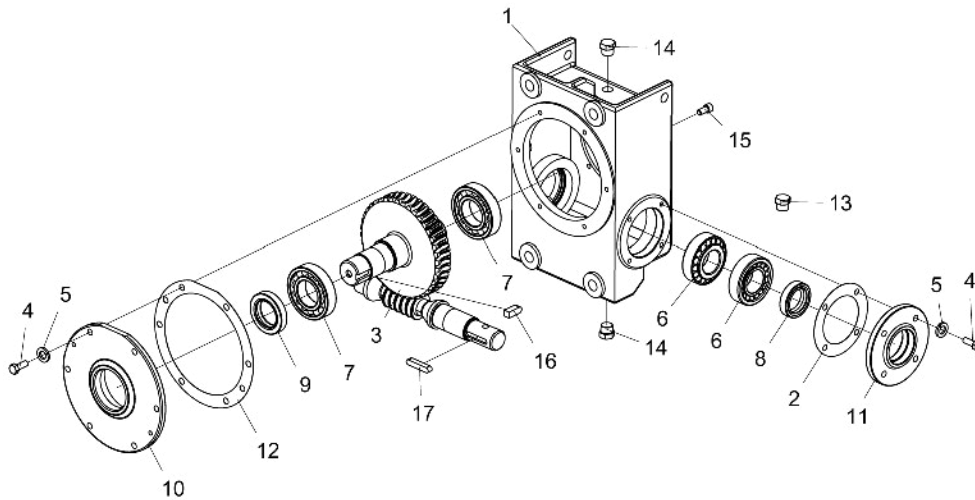
Item	Code	Product description	All
1	5220010095-6	Calcareous Large Distributor Disc	1
2	5010010049-2	Flip With Reinforcement (Right)	6
3	5010010050-6	Flip With Reinforcement (Left)	6
4	5284040033-6	Flange Ø30 X Ø88 X 32Mm	1
5	6020310054-2	Hexagonal Head Bolt 3/8" X 1" 16F Unc1A Gr2 Rt	6
6	6020010406-7	Pressure Washer 3/8" Media Industry	18
7	6020310746-6	Hexagonal Nut 3/8" 16F Unc Gr5 Ch.9/16" Height 8,50Mm	18
8	6020312201-5	Hexagonal Head Bolt 3/8" X 3/4" 16F Unc1A Gr5 Rt	12

## • Support Of Complete Intermediaty Pulley



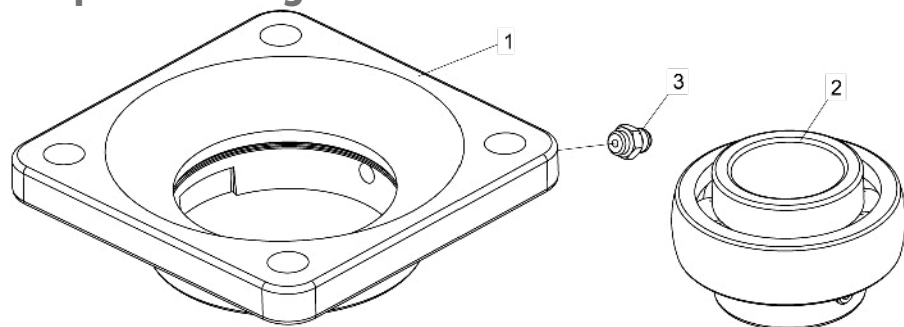
Item	Code	Product description	All
1	5530011596-8	Complete Support Of Stretcher	1
2	5448010040-1	Pulley Ø47 X Ø220 X 41Mm	1
3	5080020738-7	Bushing Of Ø20 X Ø28 X 13,2Mm	1
4	6020350033-8	Bearing 6204-Z	2
5	5566090009-7	Rod Of 270Mm	1
6	5232030147-5	Shaft Ø20 X 99,5mm	1
7	5080020737-9	Bushing Of Ø20 X Ø28 X 4,75Mm	1
8	6020010412-1	Pressure Washer 5/8" Media Industry	1
9	6020310760-1	Hexagonal Nut 5/8" 11F Unc Gr5 Ch.1.1/16" Height 15,00Mm	3
10	6020130106-0	Grease Fitting 1/4"	1

## • Transmision Box



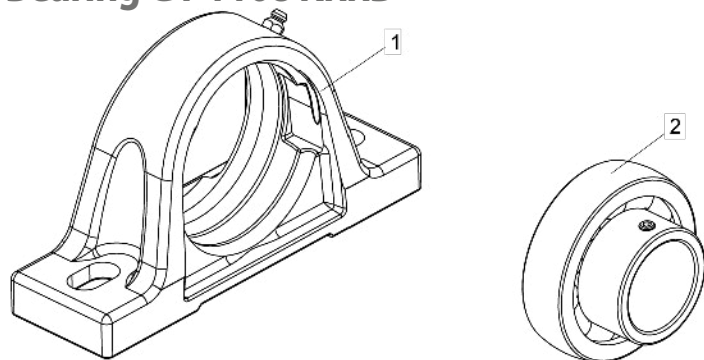
Item	Code	Product description	All
1	6020058202-3	Spare Reductor Box (Macopema 54.06.03.015.002)	1
2	6020190121-1	Gasket Ø73 X Ø110 X 1/64"	2
3	6020058283-0	Pinon Kit Baldan Rb87	1
4	6020312019-5	Hexagonal Head Bolt 5/16" X 7/8" 18F Unc1A Gr5 Rt	10
5	6020010404-0	Pressure Washer 5/16" Media Industry	10
6	6020350083-4	Bearing 32207	2
7	6020350031-1	Bearing 6208 (2Rs)	2
8	6020350273-0	Retainer Ø35,00 X Ø52,00 X 12,00Mm	1
9	6020350306-0	Retainer Ø40,00 X Ø62,00 X 11,50Mm	1
10	6020395059-7	Large Cover(Macopema 54.06.20.020.002)	1
11	6020395060-0	Small Cover(Macopema 54.06.20.019.002)	1
12	6020190122-0	Gasket Ø154 X Ø193 X 1/64"	2
13	6020030769-3	Hexagonal Head Plug 3/4" - R.3/8" - 19F - Bspt(Gas With Hole Ø3,18Mm(Macopema 54.06.02.022.002)	1
14	6020030770-7	Hexagonal Head Plug 3/4" - R.3/8" - 19F - Bspt(Gas)(Macopema 52.03.16.012.004)	2
15	6020310194-8	Allen Bolt C/C 5/16" X 5/8" 18F Unc1A Cl12.9 Rt (Phosphated)	1
16	6020058677-0	Cotter Sq.3/8" x 26mm	1
17	6020058970-2	Cotter Sq.5/16" x 43mm	1

## • Complete Bearing F-206



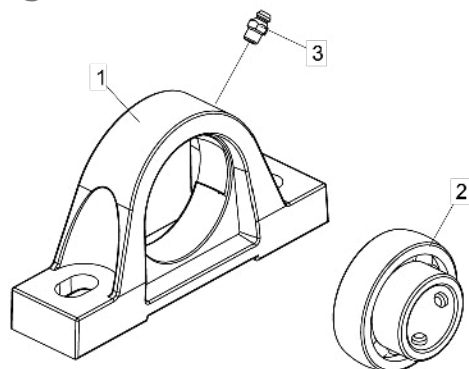
Item	Code	Product description	All
1	6020250425-9	Bearing F-206 (Frm)	1
2	6020350107-5	Bearing Gye-30 Kbbr (Ina Nacional)	1
3	6020130100-1	Grease Fitting 1/4"	1

## • Complete Bearing GY 1108 KRRB



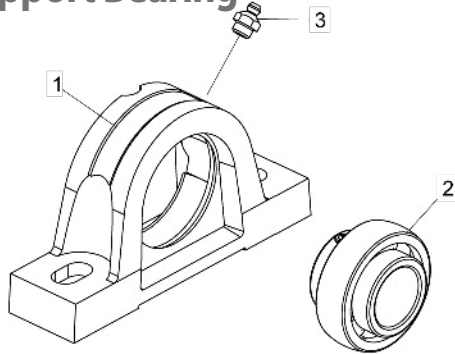
Item	Code	Product description	All
1	6020250404-6	Bearing P-208	1
2	6020350106-7	Bearing Gy-1108 Krrb	1

## • Complete Bearing GYE 30 KRRB



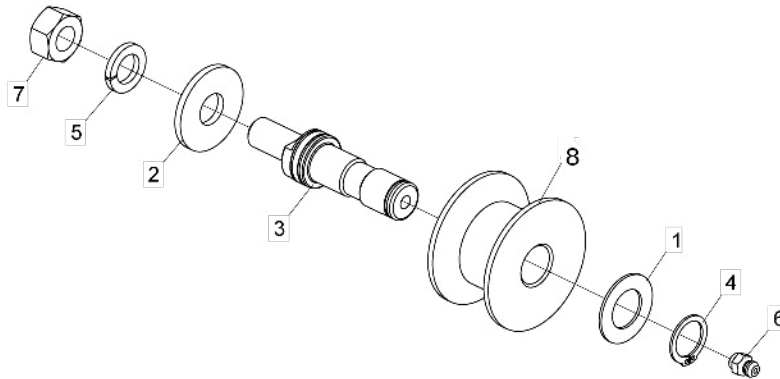
Item	Code	Product description	All
1	6020250428-3	Bearing P-206	1
2	6020350107-5	Bearing Gye-30 Kbbr (Ina Nacional)	1
3	6020130100-1	Grease Fitting 1/4"	1

## • Complete Support Bearing



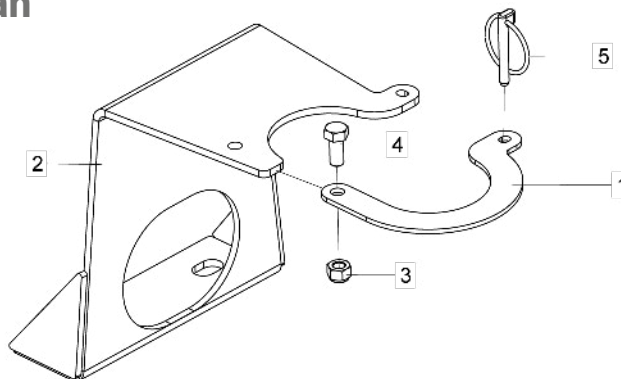
Item	Code	Product description	All
1	5368030011-5	Support Bearing	1
2	6020350004-4	Bearing Ge-30K Rrb	1
3	6020130108-7	Grease Fitting 1/8"	1

## • Complete Chain Stretcher



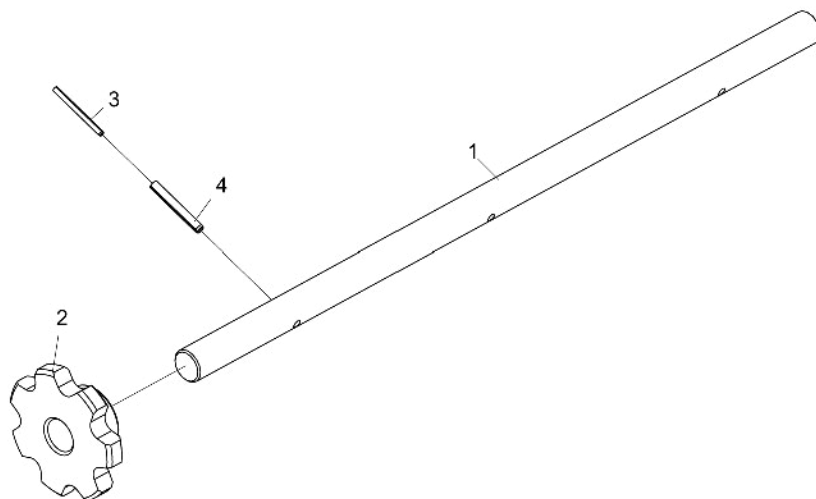
Item	Code	Product description	All
1	5024010059-0	Smooth Washer Ø16,5 X Ø29 X 1,21Mm	1
2	5024010068-9	Smooth Washer Ø13,3 X Ø35,5 X 3,00Mm	1
3	5232012027-6	Stretcher Shaft W/Metric Thread	1
4	6020010252-8	Retaining Oring	1
5	6020010395-8	Pressure Washer M12 Media	1
6	6020130100-1	Grease Fitting 1/4"	1
7	6020310820-9	Hexagonal Nut M12 X 1,75 Ma Cl8 Ch.19Mm H.10,00Mm	1
8	6020350849-5	Stretcher Pulley	1

## • Support Of Cardan



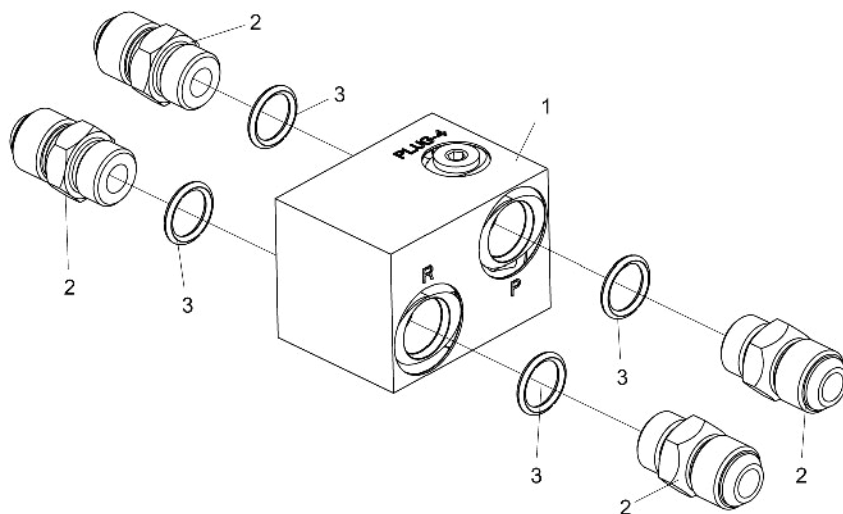
Item	Code	Product description	All
1	5136012099-0	Upper Plate Of Support Of Cardan	1
2	5530011819-3	Support of Agricultural Cardan Shaft	1
3	6020310813-6	Self-Locking Nut With Nylon 5/16" 18F Unc Gr5 Ch.1/2" H.9,00Mm	1
4	6020312020-9	Hexagonal Head Bolt 5/16" X 3/4" 18F Unc1A Gr5 Rt	1
5	6020390293-2	Lock Ø5,75 X 40Mm	1

## • Complete Front-Rear Shaft



Item	Code	Product description	All	Front	Rear
1	5232010752-0	Front Shaft		1	
1	5232010754-7	Rear Shaft			1
2	5256030044-1	Gear 7 Teeth	3		
3	6020310487-4	Heavy Elastic Pin Ø6 X 75Mm	3		
4	6020310489-0	Heavy Elastic Pin Ø10 X 75Mm	3		

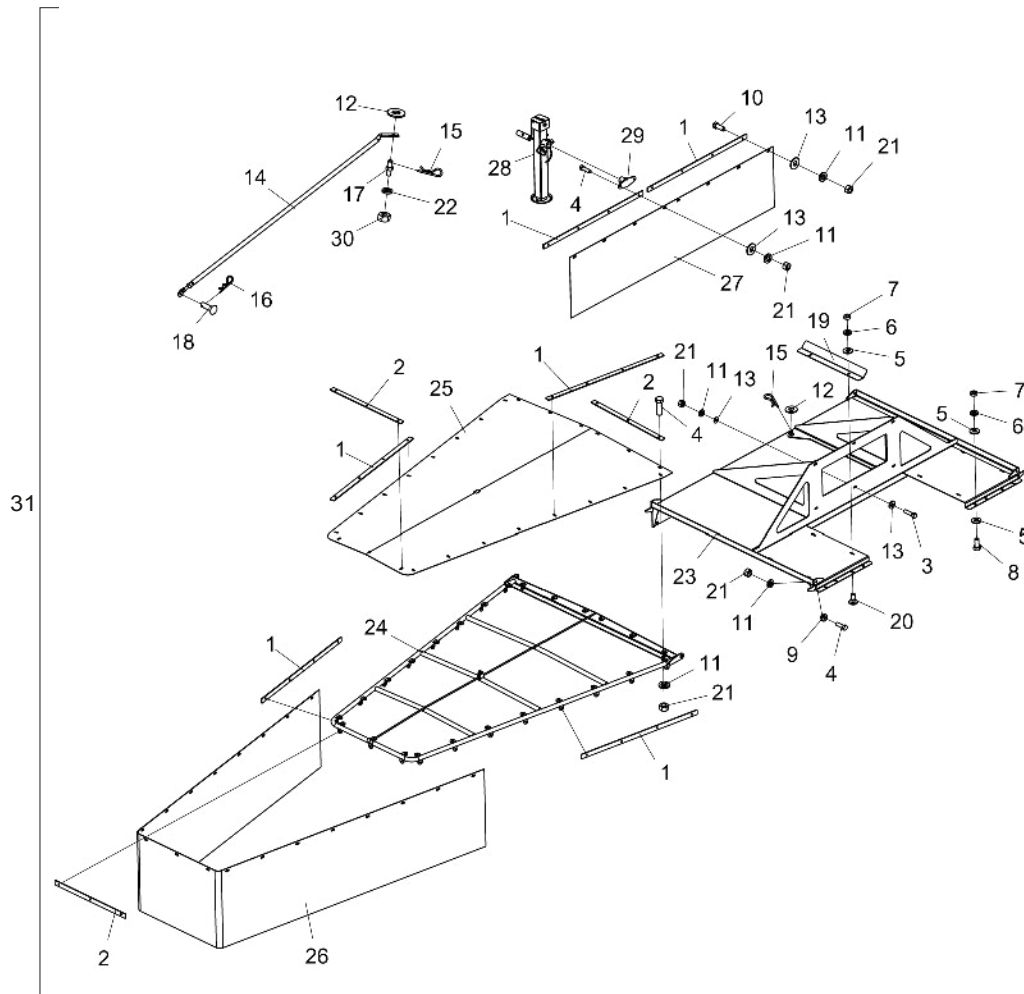
## • Anti-Cavitation Block



Item	Code	Product description	All
1	6020030749-9	Bloco Anti Cavitation For Turbines And Soprador(Hfb160531)	1
2	5412010219-5	Nipple R.1/2" Bsp(G) X R.3/4" Unf X 40Mm Hexagonal 7/8"	4
3	6020010022-3	O'Ring 2-114 N3006-90Nbr (15,54)	4

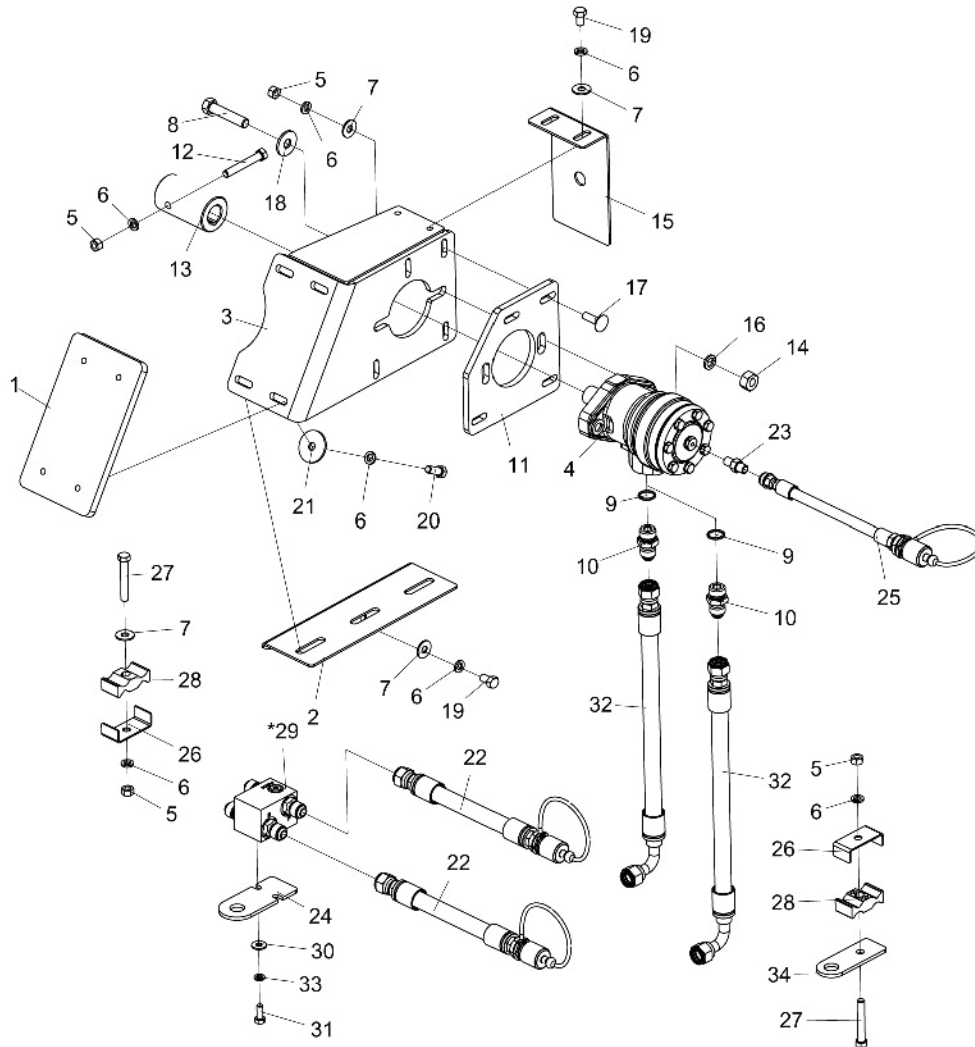
## Optional

### Complete Rubber Deflector - Optional for DCF-CO 6000/8000



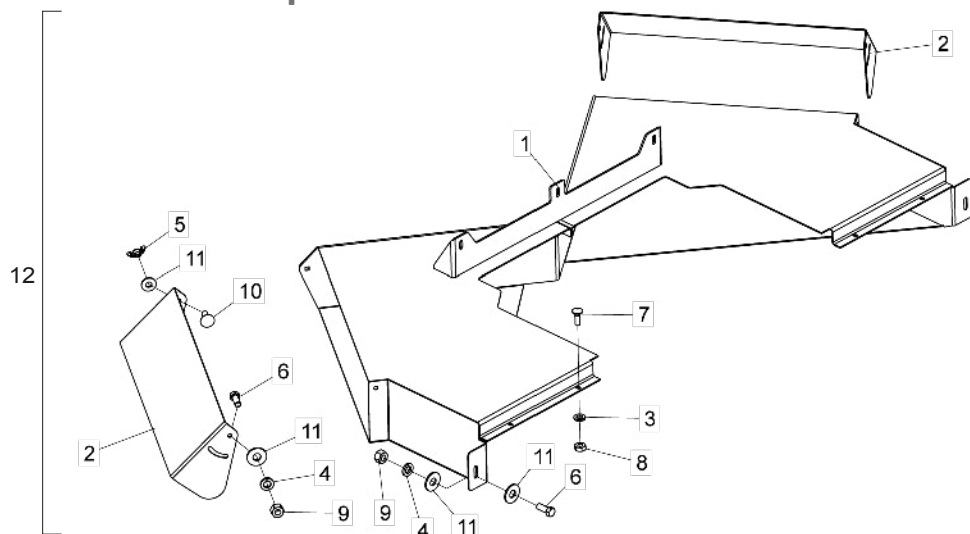
Item	Code	Product description	All
1	5040010897-5	Back Bar	18
2	5136017713-4	Back Plate	8
3	6020311029-7	Hexagonal Head Bolt 3/8" X 1.1/2" 16F Unc1A Gr5 Rt	6
4	6020310026-7	Hexagonal Head Bolt 3/8" X 1.1/4" 16F Unc1A Gr5 Rt	94
5	5024010073-5	Smooth Washer Ø8,5 X Ø20 X 2,00Mm	12
6	6020010404-0	Pressure Washer 5/16" Media Industry	8
7	6020310744-0	Hexagonal Nut 5/16" 18F Unc Gr5 Ch.1/2" Height 6,50Mm	8
8	6020312020-9	Hexagonal Head Bolt 5/16" X 3/4" 18F Unc1A Gr5 Rt	4
9	5080011844-9	Bushing Ø10,3 X Ø30 X 14,5mm	4
10	6020310054-2	Hexagonal Head Bolt 3/8" X 1" 16F Unc1A Gr2 Rt	6
11	6020010406-7	Pressure Washer 3/8" Media Industry	106
12	5024010239-8	Smooth Washer Ø16,5 X Ø37 X 3,00Mm	4
13	5024010075-1	Smooth Washer Ø10,3 X Ø25 X 2,00Mm	20
14	5484010176-5	Complete Regulator	2
15	6020390308-4	Lock Nma - Type "R" Ø4,5 X 80Mm	4
16	6020390294-0	Lock Nma - Type "R" Ø3,5 X 67Mm(Special)	2
17	5232120095-8	Hexagonal Shaft 3/4" X 50Mm	2
18	6020311238-9	French Head Pin Ø9,8 X 28,5Mm	2
19	5136017709-6	Damper Sealing Plate	2
20	6020310142-5	French Head Bolt 5/16" X 3/4" 18F Unc1A Gr2 Rp	4
21	6020310746-6	Hexagonal Nut 3/8" 16F Unc Gr5 Ch.9/16" Height 8,50Mm	106
22	6020010410-5	Pressure Washer 1/2" Media Industry	2
23	5022011855-7	Deflector Central Gang	1
24	5022011856-5	Lateral Gang	2
25	6020317574-7	Gang Upper Protection	2
26	6020317575-5	Rubber protection	2
27	6020317576-3	Rear protection	1
28	6020370264-0	Complete Support Of Lifting (Hydraulic Field Jack)	1
29	5530017313-5	Fixation Support	1
30	6020310754-7	Hexagonal Nut 1/2" 12F W Gr5 Ch.7/8" Height 12,00Mm	2
31	KACCESSORIDCFCO	Complete Rubber Deflector	

## • Cardan to Hydraulic Motor Conversion System



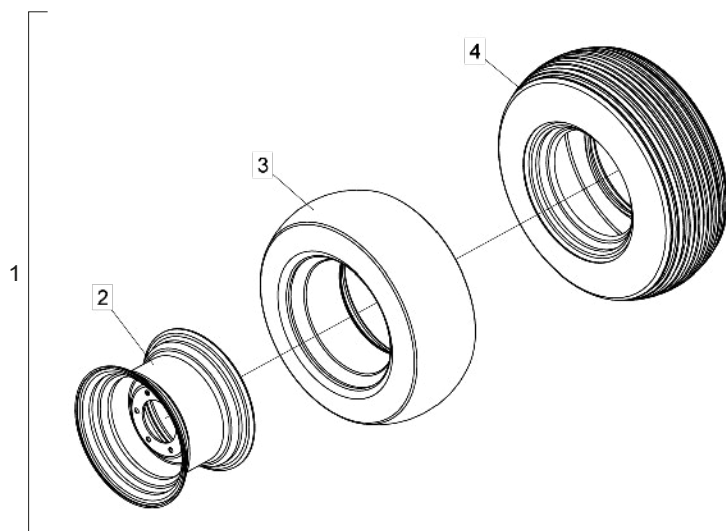
Item	Code	Product description	All	DCF-CO 3000	DCF-CO 6000	DCF-CO 8000
1	5136017891-2	Plate 222 X 130 X 12,5mm	1			
2	5464010594-4	Lower protection of Hydraulic Motor		1		
2	5464010593-6	Lower Protection of Hydraulic Motor			1	1
3	5530017344-5	Hydraulic Motor Fixation Support		1		
3	5530017343-7	Fixation Support of Hydraulic Motor			1	1
4	6020251739-3	Motor Omr-80-Cil A2-7/8-7/16(151-7241)	1			
5	6020310746-6	Hexagonal Nut 3/8" 16F Unc Gr5 Ch.9/16" Height 8,50Mm	8			
6	6020010406-7	Pressure Washer 3/8" Media Industry	16			
7	5024010075-1	Smooth Washer Ø10,3 X Ø25 X 2,00Mm	10			
8	6020312300-3	Hexagonal Head Bolt 1/2" X 2.1/2" 12FW Gr5 Rp	2			
9	6020010063-0	O'Ring 2-116 N3006-90Nbr (18,72)	2			
10	5412010058-3	Nipple R.1/2" Bsp(G) X R.7/8" Unf X 47Mm With Hexagonal 1"	2			
11	5136017893-9	Fixation Plate of Hydraulic Motor	1			
12	6020311236-2	Hexagonal Head Bolt 3/8" X 2.5/8" 16F Unc1A Gr5 Rt	1			
13	5080011857-0	Motor Coupling Bushing	1			
14	6020310754-7	Hexagonal Nut 1/2" 12FW Gr5 Ch.7/8" Height 12,00Mm	2			
15	5464010592-8	Motor Shaft Protection	1			
16	6020010410-5	Pressure Washer 1/2" Media Industry	2			
17	6020311090-4	French Head Bolt 3/8" X 1.1/4" 16F Unc1A Gr2 Rp	4			
18	5024010068-9	Smooth Washer Ø13,3 X Ø35,5 X 3,00Mm	2			
19	6020311030-0	Hexagonal Head Bolt 3/8" X 5/8" 16F Unc1A Gr2 Rt	4			
20	6020310054-2	Hexagonal Head Bolt 3/8" X 1" 16F Unc1A Gr2 Rt	4			
21	5024010013-1	Smooth Washer Ø10,6 X Ø44 X 3,00Mm	4			
22	5372011067-5	Hose Ø1/2" X 4700Mm With 1Trg And 1Trf With Male Quickly Coupling		2		
22	5372011064-0	Hose Ø1/2" X 5400Mm With 1Trg And 1Trf With Male Quickly Coupling			2	2
23	5412010290-0	Nipple R.1/4" Bsp X M12 X 1,5 X 35Mm - Hexagonal 5/8"	1			
24	5530017430-1	Hose Lateral Support	1			
25	5372011190-6	Hose Ø1/4" X 5700mm W/ 1TRG and 1TRF W/Male Quick Coupler		1		
25	5372011070-5	Hose Ø1/4" X 6400Mm With 1Trg And 1Trf With Male Quickly Coupling			1	1
26	5068010160-1	Clamp	3			
27	6020311037-8	Hexagonal Head Bolt 3/8" X 2.1/2" 16F Unc1A Gr2 Rp	3			
28	6020010723-6	Clamp (Ag3)	3			
29	5056010005-9	Anti-Cavitation Block	1			
30	5024010073-5	Smooth Washer Ø8,5 X Ø20 X 2,00Mm	2			
31	6020311269-9	Hexagonal Head Bolt M8 X 1,25 X 20Mm Cl8.8 Rt	2			
32	6020251107-7	High Pressure Hydraulic Hose 1/2" X 500Mm With 1Tcg And 1Trg (Sae 100R2 At - P.T.4000Psi)	2			
33	6020010004-5	Pressure Washer M8 Media	2			
34	5530017331-3	Hose Lateral Support	1			

## • Direction Box - Optional for All Models



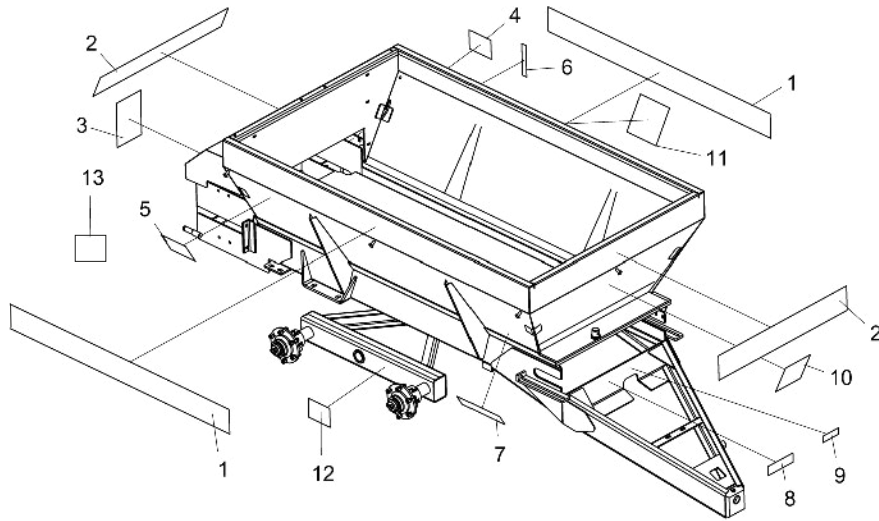
Item	Code	Product description	All
1	5092010321-6	Driving Box(Dcfc0-3000/6000/8000)	1
2	5136012796-0	Direction Plate	2
3	6020010404-0	Pressure Washer 5/16" Media Industry	4
4	6020010406-7	Pressure Washer 3/8" Media Industry	6
5	6020030104-0	Nut Ø3/8" 16F Unc	2
6	6020310054-2	Hexagonal Head Bolt 3/8" X 1" 16F Unc1A Gr2 Rt	6
7	6020310161-1	French Head Bolt 5/16" X 1" 18F Unc Gr2 Rt	4
8	6020310744-0	Hexagonal Nut 5/16" 18F Unc Gr5 Ch.1/2" Height 6,50Mm	4
9	6020310746-6	Hexagonal Nut 3/8" 16F Unc Gr5 Ch.9/16" Height 8,50Mm	6
10	6020311160-9	French Head Bolt 3/8" X 1" 16F Unc1A Gr2 Rt	2
11	5024010075-1	Smooth Washer Ø10,3 X Ø25 X 2,00Mm	10
12	5092010320-8	Complete Driving Box	1

## • Complete Wheel 11x15 BL 10 Ls. - Optional for DCF-CO 3000/6000



Item	Code	Product description	DCF-CO 3000	DCF-CO 6000
1	5498100072-5	Complete Wheel 11 X 15 - BI 10 Ply	2	4
2	6020350397-3	Rim 10.0 Ply x15" (Wheel 11X15)	2	4
3	6020050362-0	Inner Tube Pa 15/16	2	4
4	6020310413-0	Tyre 11X15 BI 10Ply	2	4

## • Stickers



Item	Code	Product description	All	DCF-CO 3000	DCF-CO 6000	DCF-CO 8000
1	6020070846-9	Sticker Dcfco-3000 (Lenght 2300Mm)		2		
1	6020070848-5	Sticker Dcfco-6000 (Lenght 3000Mm)			2	
1	6020070818-3	Sticker Dcfco-8000 (160 X 3000Mm)				2
2	6020070845-0	Sticker Dcfco-3000 (Lenght 1365Mm)	2			
3	5206010242-2	Sticker Warning Stay Away From This Area Mdcf	1			
4	5206010250-3	Sticker Safety Pin Warning Dcf	1			
5	6020070844-2	Sticker Lime Distribution Table Dcfco-3000/6000/8000 (Used Until 01/2021)	1			
5	6020079040-8	Sticker Lime Distribution Table Dcfco-3000/6000/8000 (Used From 02/2021 - Current)	1			
6	5206010026-8	Sticker Level Of Oil Check (Rotary Cutter)	1			
7	5206010240-6	Sticker Warning Check The Belt Tension	1			
8	6020070886-8	Sticker Lubricate And Retighten (58 X 195Mm)	1			
9	6020070894-9	Sticker Attention "Rotating Cardan" (45 X 130Mm)	1			
10	6020070839-6	Warning Sticker (194 X 200Mm)	1			
11	6020078828-4	Sticker Hydraulic Motor Rotation Adjustment For DCF-CO W/ Hydraulic Motor	1			
12	6020078831-4	Sticker Support Wheel Lock			1	1
13	6020078831-4	Sticker Hydraulic Motor Rotation Adjustment For DCFCO W/ Hydraulic Motor - Optional	1			



Item 1



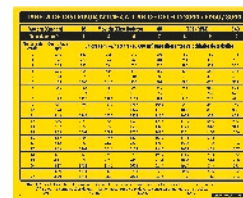
Item 2



Item 3



Item 4



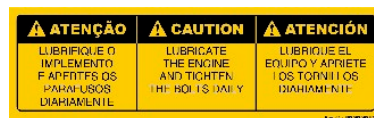
Item 5



Item 6



Item 7



Item 8



Item 9



Item 10



Item 11



Item 12



Item 13







Avenida Baldan, 1500  
Nova Matão  
15.993-900  
Matão/SP - Brasil  
sac@baldan.com.br  
export@baldan.com.br

+55 16 3221 6500  
[baldan.com.br](http://baldan.com.br)