

Parts Catalog



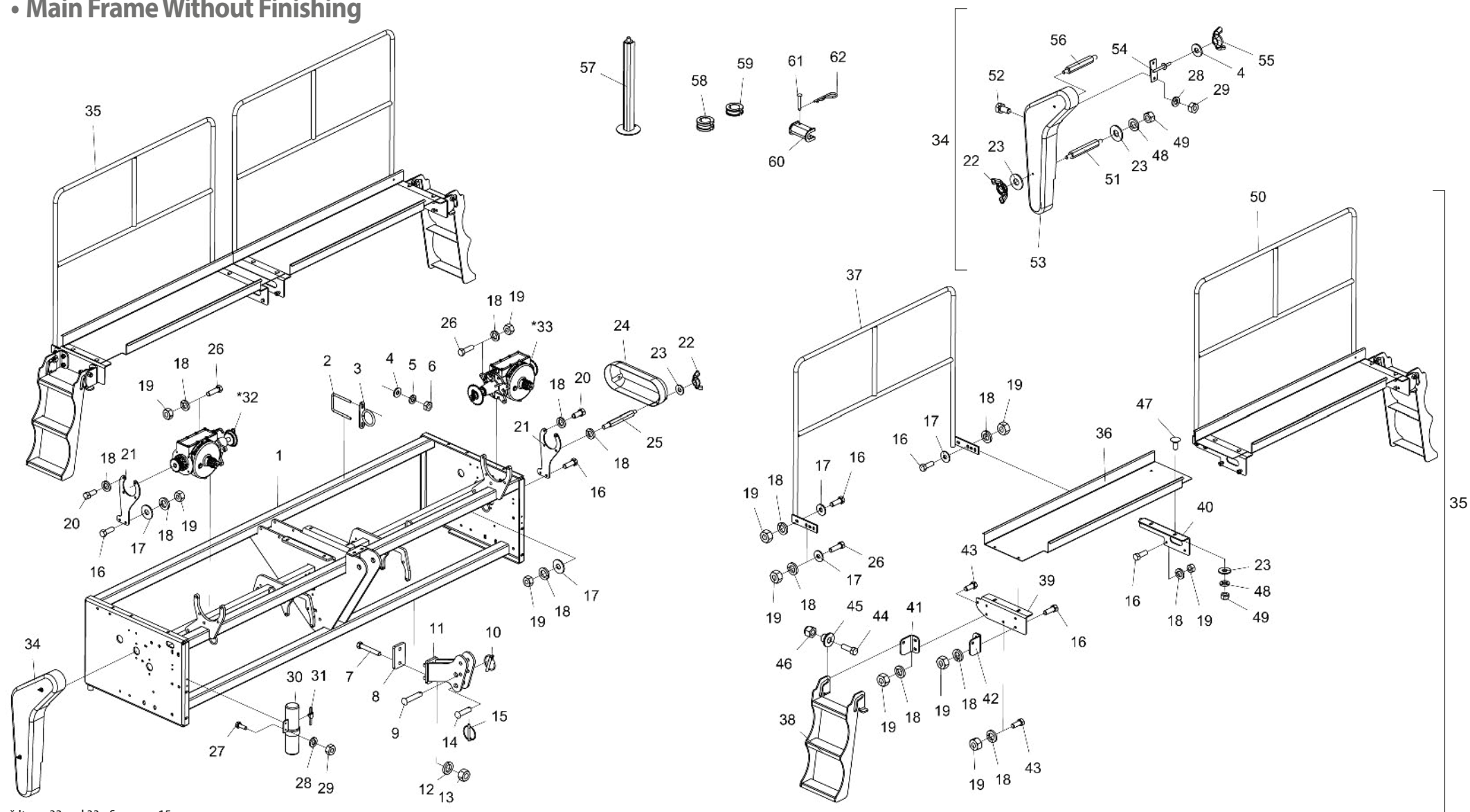
SLA PRECISION
Row Crop Planter

 **BALDAN**

▪ Index

Main Frame Without Finishing	4	Row W/Fertilizer Cutting Disc for Eccentric/Oscilant Wheel and Wheel Type "V"	32
Table Main Frame Without Finishing.....	5	Table Row W/Fertilizer Cutting Disc for Eccentric/Oscilant Wheel and Wheel Type "V"	33-34
Main Frame With Finishing	6	Row W/Cutting Disc and Furrower for Eccentric/Oscilant Wheel and Wheel Type "V"	35
Table Main Frame With Finishing	7	Table Row W/Cutting Disc and Furrpwer for Eccentric/Oscilant Wheel and Wheel Type "V"	36-37
Transmission System Without Finishing	8	Seed Distributor Row.....	38
Table Transmission System Without Finishing	9	Seed Box 45L.....	39
Transmission System With Finishing.....	10	Row W/Eccentric/Oscilant Depth Wheel and Wheel type "V"	40
Table Transmission System With Finishing	11	Table Row W/Eccentric/Oscilant Depth Wheel and Wheel type "V"	41
Complete Wheel Support W/Transmission	12	Complete Depth Wheel Type "V"	42
Table Complete Wheel Support W/Transmission	13-14	Depth and concave Wheel	43
Speed Box.....	15	Table Depth and concave Wheel	44
Complete Hitch Drawbar	16	Iron Comapctation Wheel	45
Complete Metalic Hopper SLA 2500	17	Seed Discs	46
Complete Metalic Hopper SLA 3000 Without Finishing	17	Table Seed Discs.....	47
Complete Metalic Hopper SLA 3000 With Finishing	18		
Complete Plastic Hopper SLA 3000 With Finishing	18		
Right/Left Metalic Hopper SLA 3000.....	19		
Fertilizer Metalic Hopper SLA 2500/3000.....	20		
Table Fertilizer Metalic Hopper SLA 2500/3000.....	21		
Fertilizer Plastic Hopper SLA 3000.....	22		
Table Fertilizer Plastic Hopper SLA 3000	23		
Complete Pasture Seed Hopper.....	24		
Table Complete Pasture Seed Hopper.....	25		
Complete Lubrication System	26		
Hydraulic System Without Row Marker	27		
Hydraulic System Without Row Marker	28		
Table Hydraulic System Without Row Marker.....	29		
Transmission Support Cylinder.....	30		
Row Marker Cylinder.....	30		
Planting Rows.....	31		

• Main Frame Without Finishing

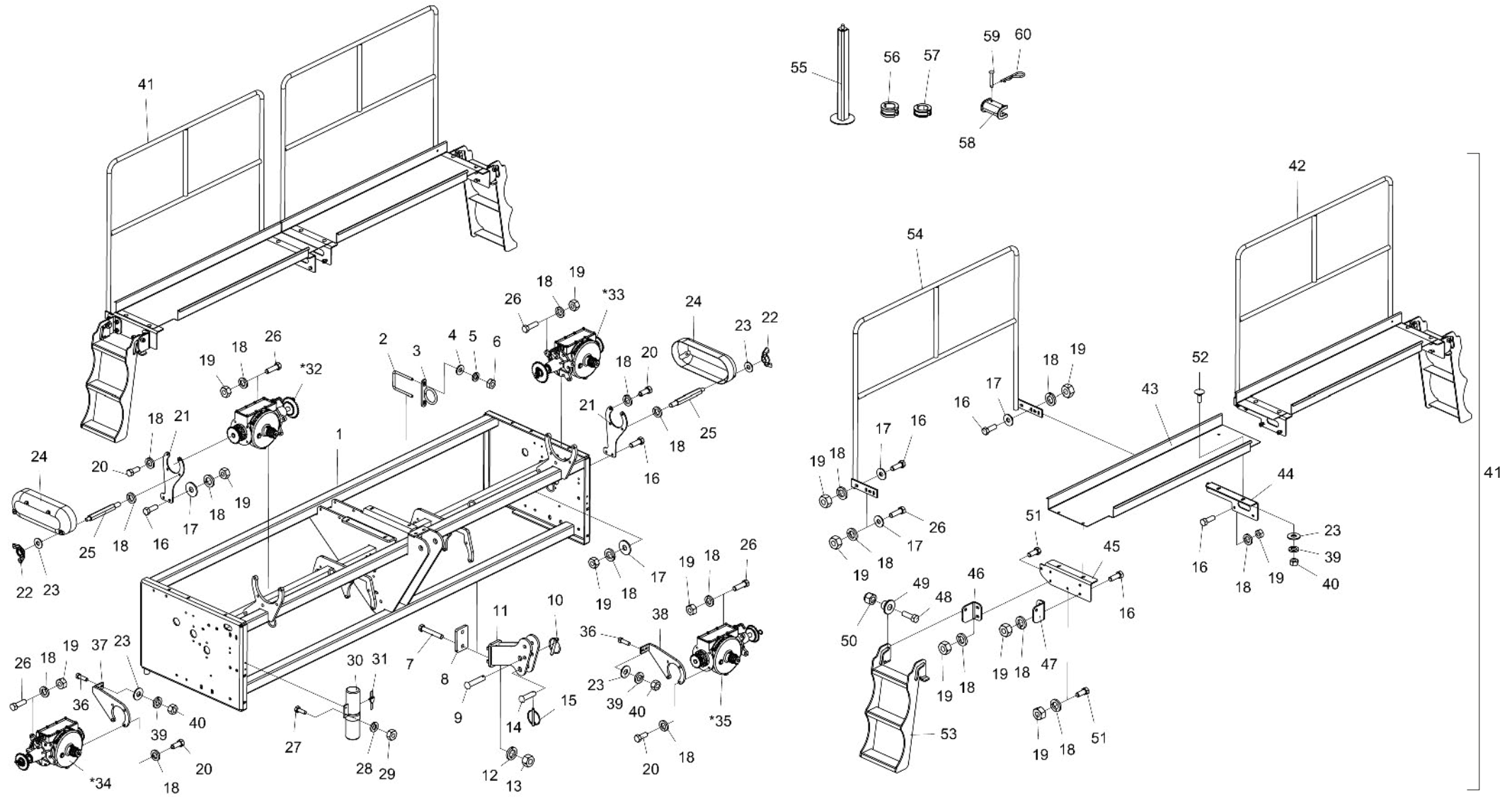


* Items 32 and 33 - See page 15

• Table Main Frame Without Finishing

Item	Code	Product description	All	SLA 2500	SLA 3000	Item	Code	Product description	All	SLA 2500	SLA 3000
1	5404010150-3	Main Frame Sla 2500		1		36	5440010769-9	Platform Sla-2501		1	
1	5404010151-1	Main Frame Sla 3000			1	36	5440010768-0	Right Rear Platform Sla-3001			1
2	5068010066-4	Clamp Of 75 X 100 X 3/8"	4			36	5440010089-9	Left Rear Platform Sla-3001			1
3	5530011497-0	Fixation Support Of Hoses (For Beam Of 70Mm)	4			37	5196010181-6	Platform Handrail Sla-P 2500		2	
4	5024010073-5	Smooth Washer Ø8,5 X Ø20 X 2,00Mm	9			37	5196010182-4	Platform Handrail Sla-P 3000			2
5	6020010404-0	Pressure Washer 5/16" Media Industry	8			38	5259010015-3	Stair 3 Steps Sp Light	2		
6	6020310744-0	Hexagonal Nut 5/16" 18F Unc Gr5 Ch.1/2" Height 6,50Mm	8			39	5136011886-3	Left Lateral Fixation Plate Of Platform	1		
7	6020311103-0	Hexagonal Head Bolt 3/4" X 5" 10F Unc1A Gr5 Rp	4			39	5136011885-5	Right Lateral Fixation Plate Of Platform	1		
8	5136010748-9	Fixation Plate Of Hitch	2			40	5136011888-0	Right Central Fixation Plate Of Platform	1		
9	5432120028-4	French Head Pin Ø3/4" X 86Mm	2			40	5136011887-1	Left Central Fixation Plate Of Platform	1		
10	6020390293-2	Lock Ø5,75 X 40Mm	2			41	5136011890-1	Left Lateral Plate Of Landder	2		
11	5252010118-7	Drawbar Hitch	2			42	5136011889-8	Right Lateral Plate Of Landder	2		
12	6020010414-8	Pressure Washer 3/4" Media Industry	4			43	6020310051-8	Hexagonal Head Bolt 1/2" X 1.1/4" 12FW Gr5 Rt	4		
13	6020310770-9	Hexagonal Nut 3/4" 10F Unc Gr5 Ch.1.7/32" Height 18,50Mm	4			44	6020310180-8	Hexagonal Head Bolt 5/8" X 2" 11F Unc1A Gr5 Rp	4		
14	6020310659-1	Pin Ø28 X 95mm	2			45	5080010465-0	Articulation Bushing 19Mm	4		
15	6020390301-7	Lock Ø5,75 X 50Mm	2			46	6020310759-8	Self-Locking Nut With Nylon 5/8" 11F Unc Gr5 Ch.15/16" H.19,50Mm	4		
16	6020312001-2	Hexagonal Head Bolt 1/2" X 1.1/2" 12FW Gr5 Rt	18			47	6020311160-9	French Head Bolt 3/8" X 1" 16F Unc1A Gr2 Rt	8		
17	5024010068-9	Smooth Washer Ø13,3 X Ø35,5 X 3,00Mm	12			48	6020010406-7	Pressure Washer 3/8" Media Industry	9		
18	6020010410-5	Pressure Washer 1/2" Media Industry	40			49	6020310746-6	Hexagonal Nut 3/8" 16F Unc Gr5 Ch.9/16" Height 8,50Mm	9		
19	6020310754-7	Hexagonal Nut 1/2" 12F W Gr5 Ch.7/8" Height 12,00Mm	32			50	5440010796-6	Lateral Left Platform Complete Sla-3001			1
20	6020311049-1	Hexagonal Head Bolt 1/2" X 1.1/4" 12FW Gr5 Rt	6			50	5440010797-4	Lateral Right Platform Complete Sla-3001			1
21	5136011891-0	Fixation Plate	2			51	5232010481-5	Shaft Of Chain Cap Fixation	1		
22	6020030104-0	Nut Ø3/8" 16F Unc	3			52	6020311000-9	Hexagonal Head Bolt 1/4" X 1/2" 20F Unc1A Gr5 Rt	2		
23	5024010075-1	Smooth Washer Ø10,3 X Ø25 X 2,00Mm	12			53	6020050532-0	Protection Cap	1		
24	6020050647-5	Protection Cap	1			54	5530130037-8	Fixation Support Of Protector Cap	1		
25	5232010396-7	Small Shaft Of Chain Protection Fixation	1			55	6020030102-4	Nut Ø5/16" 18F Unc	1		
26	6020317427-9	Hexagonal Head Bolt 1/2" X 1.3/4" 12FW Gr5 Rt	10			56	5232010480-7	Shaft Of Protection Cap Fixation	1		
27	6020311002-5	Hexagonal Head Bolt 1/4" X 3/4" 20F Unc1A Gr2 Rt	2			57	5530010121-5	Support 609,5Mm	1		
28	6020010402-4	Pressure Washer 1/4" Media Industry	4			58	5348010023-5	Complete Limiter Of 35Mm	2		
29	6020310742-3	Hexagonal Nut 1/4" 20F Unc Gr5 Ch.7/16" Height 5,50Mm	4			59	5348050006-3	Complete Limiter Of Ø42 X 25Mm	2		
30	6020050642-4	Container For Instruction Manual	1			60	5558010319-6	Piston Lock Of Tyne Of Ø41,27 X 129Mm	2		
31	6020230100-5	Seal For Container For Instruction Manual	1			61	6020310421-1	French Head Pin Ø9,8 X 61Mm	4		
*32	5092010443-3	Complete Right Speed Box(Seed)	1			62	6020390294-0	Lock Nma - Type "R" Ø3,5 X 67Mm(Special)	4		
*33	5092010211-2	Complete Left Speed Box(Fertilizer)	1								
34	5106010083-0	Complete Protector Cover	1								
35	5440010799-0	Complete Platform Sla-2500		1							
35	5440010798-2	Complete Platform Sla-3000			1						

• Main Frame With Finishing

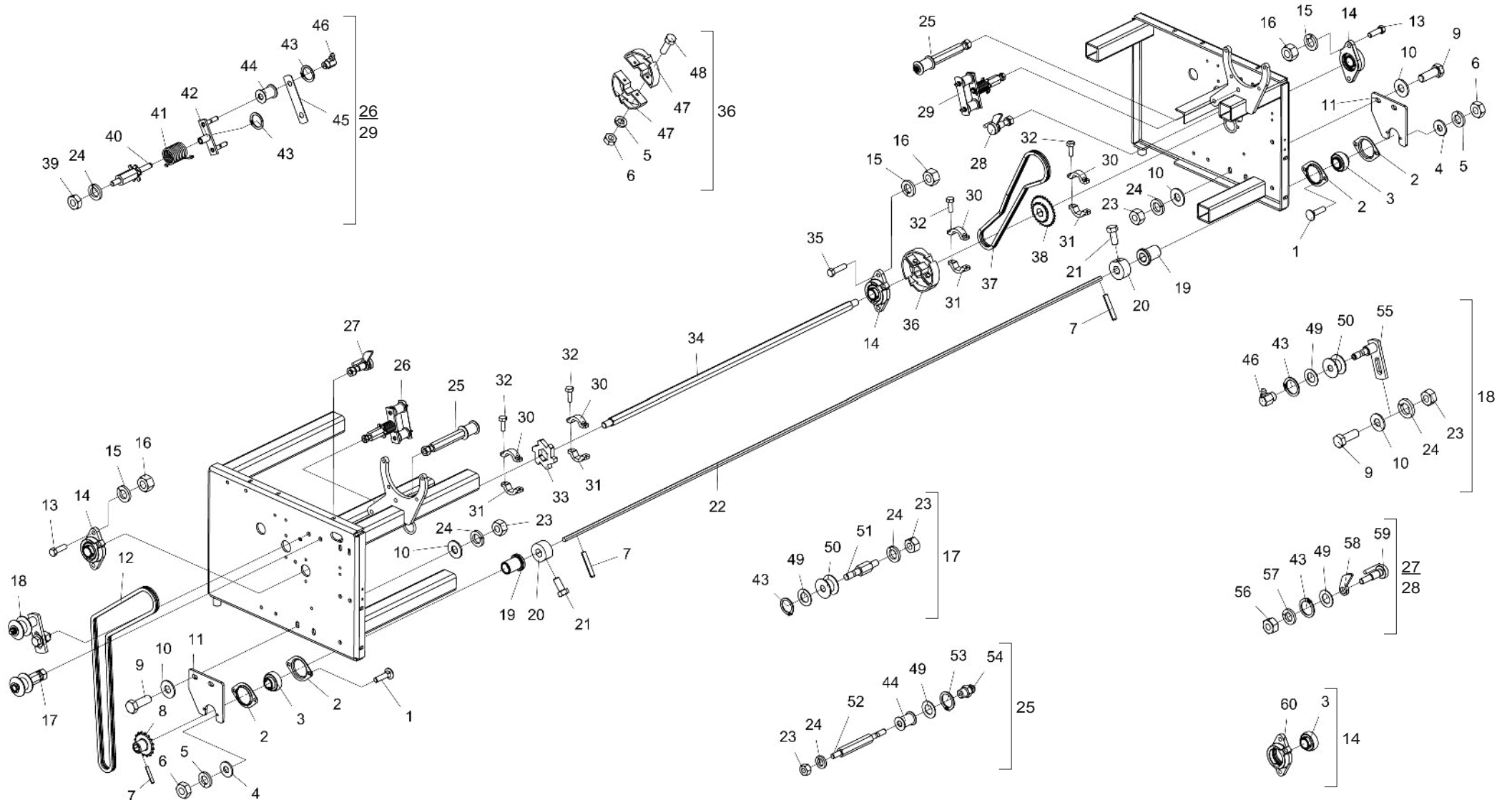


* Items 32, 33, 34 and 35 - See page 15

• Table Main Frame With Finishing

Item	Code	Product description	All	Item	Code	Product description	All
1	5404010151-1	Main Frame Sla 3000	1	37	5530010638-1	Left Support Of Speed Box	1
2	5068010066-4	Clamp Of 75 X 100 X 3/8"	4	38	5530010637-3	Right Support Of Of Speed Box	1
3	5530011497-0	Fixation Support Of Hoses (For Beam Of 70Mm)	4	39	6020010406-7	Pressure Washer 3/8" Media Industry	20
4	5024010073-5	Smooth Washer Ø8,5 X Ø20 X 2,00Mm	8	40	6020310746-6	Hexagonal Nut 3/8" 16F Unc Gr5 Ch.9/16" Height 8,50Mm	20
5	6020010404-0	Pressure Washer 5/16" Media Industry	4	41	5440010798-2	Complete Platform Sla-3000	1
6	6020310744-0	Hexagonal Nut 5/16" 18F Unc Gr5 Ch.1/2" Height 6,50Mm	4	42	5440010796-6	Lateral Left Platform Complete Sla-3001	1
7	6020311103-0	Hexagonal Head Bolt 3/4" X 5" 10F Unc1A Gr5 Rp	4	42	5440010797-4	Lateral Right Platform Complete Sla-3001	1
8	5136010748-9	Fixation Plate Of Hitch	2	43	5440010089-9	Left Rear Platform Sla-3001	1
9	5432120028-4	French Head Pin Ø3/4" X 86Mm	2	43	5440010768-0	Right Rear Platform Sla-3001	1
10	6020390293-2	Lock Ø5,75 X 40Mm	2	44	5136011887-1	Left Central Fixation Plate Of Platform	1
11	5252010118-7	Drawbar Hitch	2	44	5136011888-0	Right Central Fixation Plate Of Platform	1
12	6020010414-8	Pressure Washer 3/4" Media Industry	4	45	5136011885-5	Right Lateral Fixation Plate Of Platform	1
13	6020310770-9	Hexagonal Nut 3/4" 10F Unc Gr5 Ch.1.7/32" Height 18,50Mm	4	45	5136011886-3	Left Lateral Fixation Plate Of Platform	1
14	6020310659-1	Pin Ø28 X 95mm	2	46	5136011890-1	Left Lateral Plate Of Landder	2
15	6020390301-7	Lock Ø5,75 X 50Mm	2	47	5136011889-8	Right Lateral Plate Of Landder	2
16	6020312001-2	Hexagonal Head Bolt 1/2" X 1.1/2" 12F W Gr5 Rt	18	48	6020310180-8	Hexagonal Head Bolt 5/8" X 2" 11F Unc1A Gr5 Rp	4
17	5024010068-9	Smooth Washer Ø13,3 X Ø35,5 X 3,00Mm	8	49	5080010465-0	Articulation Bushing 19Mm	4
18	6020010410-5	Pressure Washer 1/2" Media Industry	52	50	6020310759-8	Self-Locking Nut With Nylon 5/8" 11F Unc Gr5 Ch.15/16" H.19,50Mm	4
19	6020310754-7	Hexagonal Nut 1/2" 12F W Gr5 Ch.7/8" Height 12,00Mm	36	51	6020310051-8	Hexagonal Head Bolt 1/2" X 1.1/4" 12F W Gr5 Rt	4
20	6020311049-1	Hexagonal Head Bolt 1/2" X 1.1/4" 12F W Gr5 Rt	14	52	6020311160-9	French Head Bolt 3/8" X 1" 16F Unc1A Gr2 Rt	8
21	5136011891-0	Fixation Plate	2	53	5259010015-3	Stair 3 Steps Sp Light	2
22	6020030104-0	Nut Ø3/8" 16F Unc	2	54	5196010182-4	Platform Handrail Sla-P 3000	2
23	5024010075-1	Smooth Washer Ø10,3 X Ø25 X 2,00Mm	14	55	5530010121-5	Support 609,5Mm	1
24	6020050647-5	Protection Cap	2	56	5348010023-5	Complete Limiter Of 35Mm	2
25	5232010396-7	Small Shaft Of Chain Protection Fixation	2	57	5348050006-3	Complete Limiter Of Ø42 X 25Mm	2
26	6020317427-9	Hexagonal Head Bolt 1/2" X 1.3/4" 12F W Gr5 Rt	18	58	5558010319-6	Piston Lock Of Tyne Of Ø41,27 X 129Mm	2
27	6020311002-5	Hexagonal Head Bolt 1/4" X 3/4" 20F Unc1A Gr2 Rt	2	59	6020310421-1	French Head Pin Ø9,8 X 61Mm	4
28	6020010402-4	Pressure Washer 1/4" Media Industry	2	60	6020390294-0	Lock Nma - Type "R" Ø3,5 X 67Mm(Special)	4
29	6020310742-3	Hexagonal Nut 1/4" 20F Unc Gr5 Ch.7/16" Height 5,50Mm	2				
30	6020050642-4	Container For Instruction Manual	1				
31	6020230100-5	Seal For Container For Instruction Manual	1				
*32	5092010212-0	Complete Right Speed Box(Fertilizer)	1				
*33	5092010211-2	Complete Left Speed Box(Fertilizer)	1				
*34	5092010428-0	Complete Left Speed Box(Seed)	1				
*35	5092010427-1	Complete Right Speed Box(Seed)	1				
36	6020310026-7	Hexagonal Head Bolt 3/8" X 1.1/4" 16F Unc1A Gr5 Rt	8				

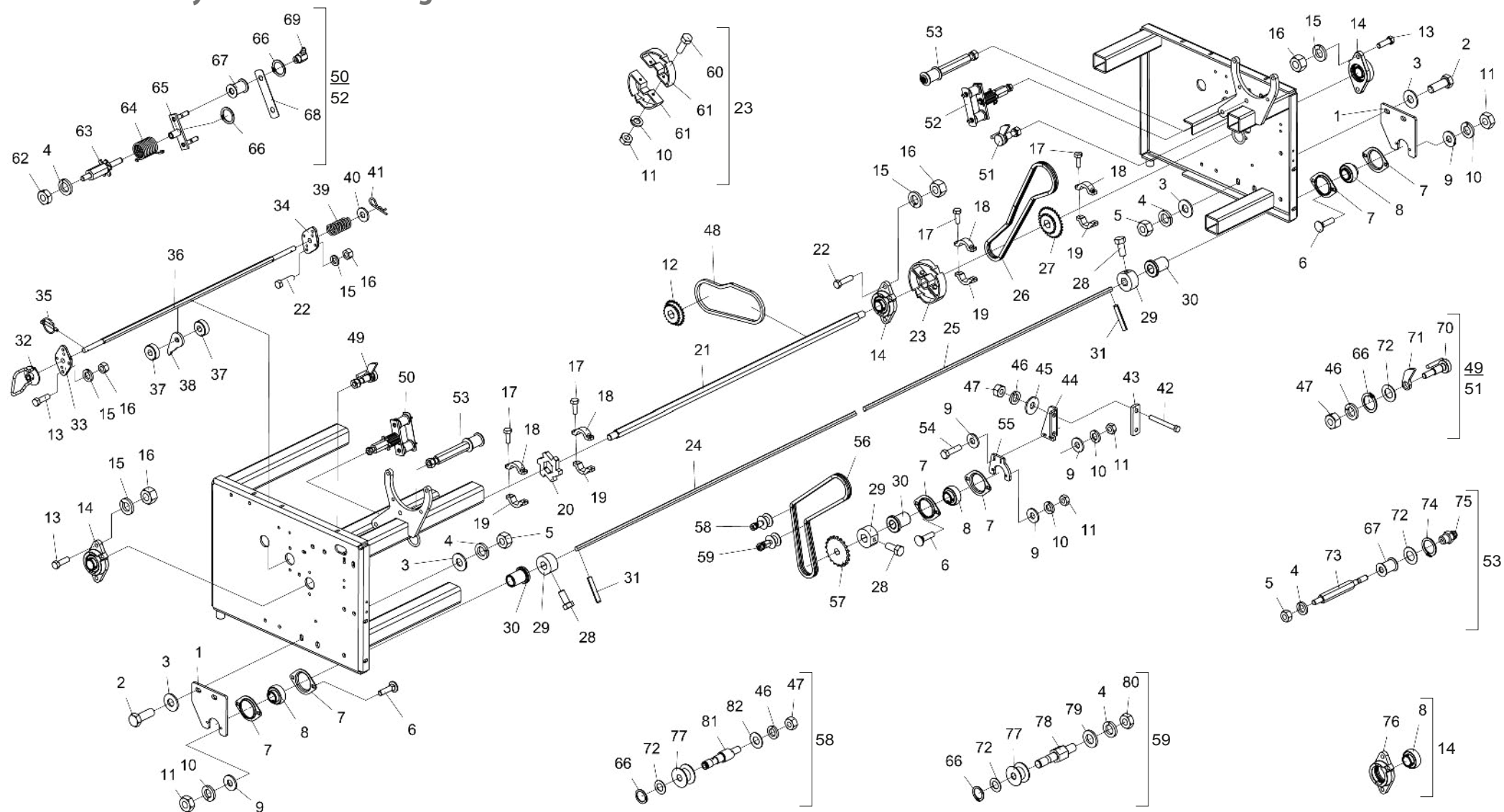
• Transmission System Without Finishing



• Table Transmission System Without Finishing

Item	Code	Product description	All	SLA 2500	SLA 3000	Item	Code	Product description	All	SLA 2500	SLA 3000
1	6020312017-9	French Head Bolt 5/16" X 1.1/4" 18F Unc1A Gr2 Rp	4			34	5232010231-6	Hexagonal Shaft 1.1/4" X 1482Mm			2
2	6020250412-7	Steel Plate Bearing 03.52 Mst	4			35	6020311029-7	Hexagonal Head Bolt 3/8" X 1.1/2" 16F Unc1A Gr5 Rt	4		
3	6020350081-8	Bearing Gy-1100 Krrb	6			36	5327010001-1	Complete Movement Indicator	2		
4	5024010073-5	Smooth Washer Ø8,5 X Ø20 X 2,00Mm	4			37	6020050806-0	Chain (Asa 40) 103 Links + Amendment	1		
5	6020010404-0	Pressure Washer 5/16" Media Industry	8			37	6020055406-2	Chain (Asa 40) 106 Links + Reduction	1		
6	6020310744-0	Hexagonal Nut 5/16" 18F Unc Gr5 Ch.1/2" Height 6,50Mm	8			38	5256010057-4	Complete Gear 20/25 Teeth With Hexagonal 1.1/4"	1		
7	6020310485-8	Heavy Elastic Pin Ø6 X 36Mm	3			38	5256010056-6	Complete Gear 20/31 Teeth With Hexagonal 1.1/4"	1		
8	5256010091-4	Gear 16 Teeth	1			39	6020310738-5	Hexagonal Nut 5/8" 11F Unc Gr5 Ch.1.1/16" Height 11,00Mm	2		
9	6020310179-4	Hexagonal Head Bolt 5/8" X 1.3/4" 11F Unc1A Gr5 Rt	5			40	5232010054-2	Right Stretcher Shaft	1		
10	5024010239-8	Smooth Washer Ø16,5 X Ø37 X 3,00Mm	9			40	5232010055-0	Left Shaft Of Stretcher	1		
11	5136010746-2	Fixation Plate Of Seed Shaft	2			41	6020250219-1	Torsion Helical Spring Ø38 X Ø46 X 67Mm	1		
12	6020050233-0	Chain (Asa 40) 159 Links + Amendment	1			41	6020250218-3	Torsion Helical Spring Ø38 X Ø46 X 67Mm	1		
13	6020310026-7	Hexagonal Head Bolt 3/8" X 1.1/4" 16F Unc1A Gr5 Rt	4			42	5268010146-9	Spare Chain Stretcher	2		
14	5368010422-7	Sleeve Bearing With Self Compensation Gy1100 Krrb De Ø1"	4			43	6020010252-8	Retaining Oring	10		
15	6020010406-7	Pressure Washer 3/8" Media Industry	8			44	5506010014-3	Roller Of Stretcher	6		
16	6020310746-6	Hexagonal Nut 3/8" 16F Unc Gr5 Ch.9/16" Height 8,50Mm	8			45	5136020627-4	Front Plate Of Stretcher	2		
17	5268010202-3	Complete Chain Stretcher	1			46	6020130112-5	Grease Fitting 1/8"	5		
18	5268010135-3	Complete Chain Stretcher	1			47	6020170019-4	Movement Indicator	4		
19	5080010204-6	Bushing Of Ø1.3/8" W/Hexagonal Hole For Shaft 5/8"	2			48	6020310038-0	Hexagonal Head Bolt 5/16" X 1" 18F Unc1A Gr5 Rt	4		
20	6020030079-6	Traction Bushing	2			49	5024010059-0	Smooth Washer Ø16,5 X Ø29 X 1,21Mm	8		
21	6020312020-9	Hexagonal Head Bolt 5/16" X 3/4" 18F Unc1A Gr5 Rt	2			50	6020350849-5	Stretcher Pulley	2		
22	5232010757-1	Hexagonal Shaft 5/8" X 2246mm		1		51	5232010472-6	Stretcher Shaft Sla 2500	1		
22	5232010758-0	Hexagonal Shaft 5/8" X 3144Mm			1	52	5232010523-4	Stretcher Shaft	2		
23	6020310760-1	Hexagonal Nut 5/8" 11F Unc Gr5 Ch.1.1/16" Height 15,00Mm	8			53	6020010250-1	Retaining Oring	2		
24	6020010412-1	Pressure Washer 5/8" Media Industry	10			54	6020130100-1	Grease Fitting 1/4"	2		
25	5268010206-6	Complete Chain Stretcher	2			55	5268010132-9	Spare Chain Stretcher	1		
26	5268010144-2	Complete Right Stretcher	1			56	6020310754-7	Hexagonal Nut 1/2" 12F W Gr5 Ch.7/8" Height 12,00Mm	2		
27	5558010050-2	Right Lock Of Complete Rossette	1			57	6020010410-5	Pressure Washer 1/2" Media Industry	2		
28	5558010051-0	Left Lock Of Complete Rossette	1			58	5558050016-0	Lock Of Rossette	2		
29	5268010145-0	Complete Left Stretcher	1			59	5432010052-9	Lock Pin Of Trigger	2		
30	5460010003-6	Shaft Clamp Hexagonal 1.1/4" With Hole Passante	8			60	5368010499-5	Fixation Bearing	4		
31	5460010004-4	Shaft Clamp Hexagonal 1.1/4" Hole With Thread	8								
32	6020310016-0	Hexagonal Head Bolt 1/4" X 3/4" 20F Unc1A Gr5 Rt	16								
33	5200010005-6	Rossette	2								
34	5232010471-8	Hexagonal Shaft 1.1/4" X 1028Mm			2						

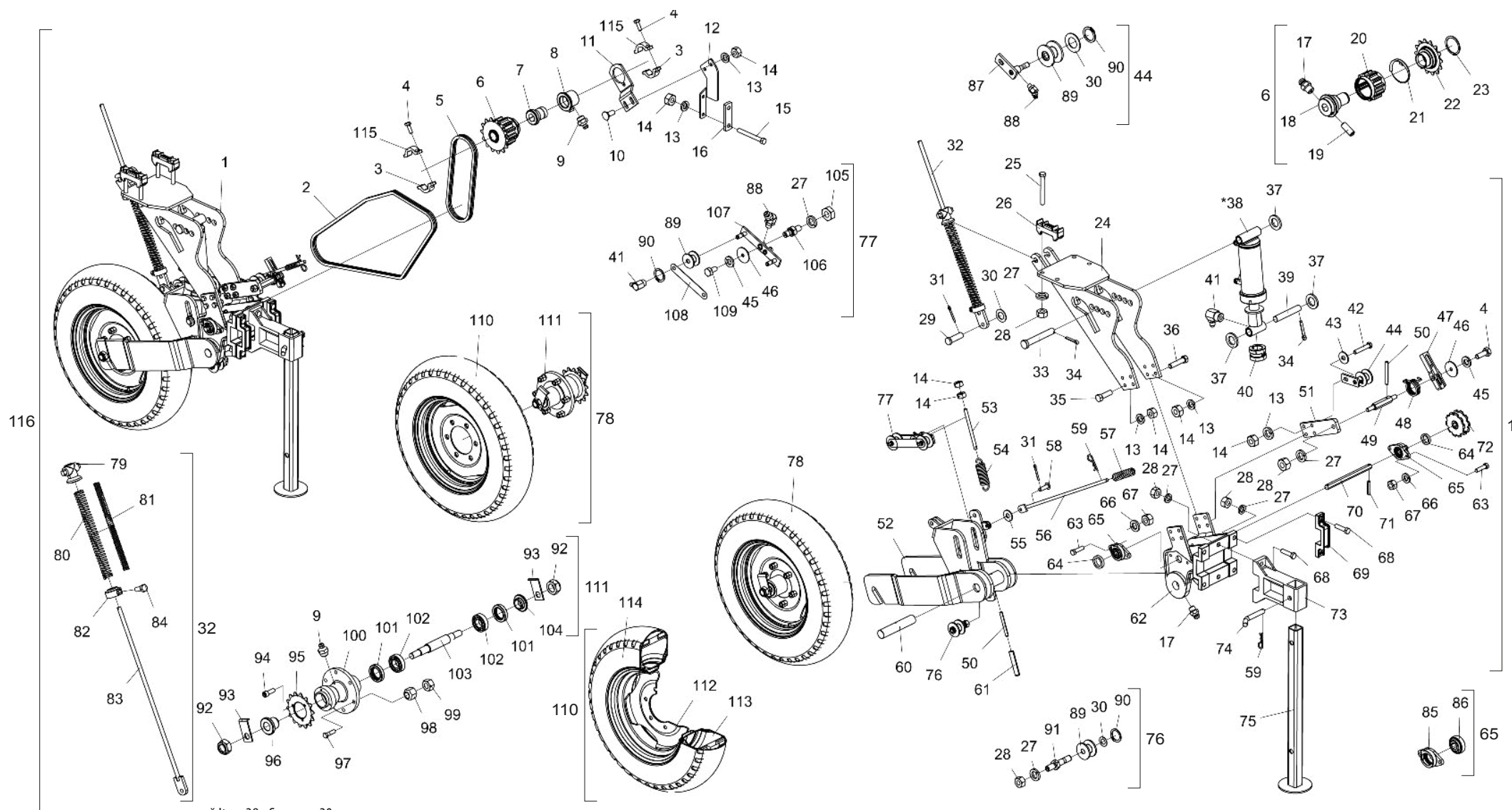
• Transmission System With Finishing



• Table Transmission System With Finishing

Item	Code	Product description	All	Item	Code	Product description	All
1	5136010746-2	Fixation Plate Of Seed Shaft	2	45	5024010068-9	Smooth Washer Ø13,3 X Ø35,5 X 3,00Mm	4
2	6020310179-4	Hexagonal Head Bolt 5/8" X 1.3/4" 11F Unc1A Gr5 Rt	4	46	6020010410-5	Pressure Washer 1/2" Media Industry	12
3	5024010239-8	Smooth Washer Ø16,5 X Ø37 X 3,00Mm	8	47	6020310754-7	Hexagonal Nut 1/2" 12FW Gr5 Ch.7/8" Height 12,00Mm	12
4	6020010412-1	Pressure Washer 5/8" Media Industry	12	48	6020050802-8	Chain (Asa 40) 69 Links + Amendment	2
5	6020310760-1	Hexagonal Nut 5/8" 11F Unc Gr5 Ch.1.1/16" Height 15,00Mm	6	49	5558010050-2	Right Lock Of Complete Rossette	1
6	6020312017-9	French Head Bolt 5/16" X 1.1/4" 18F Unc1A Gr2 Rp	8	50	5268010144-2	Complete Right Stretcher	2
7	6020250412-7	Steel Plate Bearing 03.52 Mst	8	51	5558010051-0	Left Lock Of Complete Rossette	1
8	6020350081-8	Bearing Gy-1100 Krrb	8	52	5268010145-0	Complete Left Stretcher	2
9	5024010073-5	Smooth Washer Ø8,5 X Ø20 X 2,00Mm	16	53	5268010206-6	Complete Chain Stretcher	2
10	6020010404-0	Pressure Washer 5/16" Media Industry	20	54	6020311023-8	Hexagonal Head Bolt 5/16" X 1.1/4" 18F Unc1A Gr5 Rt	4
11	6020310744-0	Hexagonal Nut 5/16" 18F Unc Gr5 Ch.1/2" Height 6,50Mm	20	55	5136011104-4	Plate Of Bearing Support	2
12	5256010057-4	Complete Gear 20/25 Teeth With Hexagonal 1.1/4"	2	56	6020050294-1	Chain (Asa 40) 63 Links + Amendment	2
13	6020310026-7	Hexagonal Head Bolt 3/8" X 1.1/4" 16F Unc1A Gr5 Rt	4	57	5256010060-4	Gear 20 Teeth For Shaft 5/8"	2
14	5368010422-7	Sleeve Bearing With Self Compensation Gy1100 Krrb De Ø1"	4	58	5268010193-0	Complete Chain Stretcher Sla	2
15	6020010406-7	Pressure Washer 3/8" Media Industry	8	59	5268010194-9	Complete Chain Stretcher Sla	2
16	6020310746-6	Hexagonal Nut 3/8" 16F Unc Gr5 Ch.9/16" Height 8,50Mm	8	60	6020310038-0	Hexagonal Head Bolt 5/16" X 1" 18F Unc1A Gr5 Rt	4
17	6020310016-0	Hexagonal Head Bolt 1/4" X 3/4" 20F Unc1A Gr5 Rt	24	61	6020170019-4	Movement Indicator	4
18	5460010003-6	Shaft Clamp Hexagonal 1.1/4" With Hole Passante	12	62	6020310738-5	Hexagonal Nut 5/8" 11F Unc Gr5 Ch.1.1/16" Height 11,00Mm	4
19	5460010004-4	Shaft Clamp Hexagonal 1.1/4" Hole With Thread	12	63	5232010054-2	Right Stretcher Shaft	2
20	5200010005-6	Rossette	2	63	5232010055-0	Left Shaft Of Stretcher	2
21	5232010231-6	Hexagonal Shaft 1.1/4" X 1482Mm	2	64	6020250219-1	Torsion Helical Spring Ø38 X Ø46 X 67Mm	2
22	6020311029-7	Hexagonal Head Bolt 3/8" X 1.1/2" 16F Unc1A Gr5 Rt	8	64	6020250218-3	Torsion Helical Spring Ø38 X Ø46 X 67Mm	2
23	5327010001-1	Complete Movement Indicator	2	65	5268010146-9	Spare Chain Stretcher	4
24	5232010386-0	Hexagonal Shaft 5/8" X 1625Mm	1	66	6020010252-8	Retaining Oring	18
25	5232010387-8	Hexagonal Shaft 5/8" X 1439Mm	1	67	5506010014-3	Roller Of Stretcher	10
26	6020055406-2	Chain (Asa 40) 106 Links + Reduction	2	68	5136020627-4	Front Plate Of Stretcher	4
27	5256010056-6	Complete Gear 20/31 Teeth With Hexagonal 1.1/4"	2	69	6020130112-5	Grease Fitting 1/8"	8
28	6020312020-9	Hexagonal Head Bolt 5/16" X 3/4" 18F Unc1A Gr5 Rt	5	70	5432010052-9	Lock Pin Of Trigger	2
29	6020030079-6	Traction Bushing	5	71	5558050016-0	Lock Of Rossette	2
30	5080010204-6	Bushing Of Ø1.3/8" W/Hexagonal Hole For Shaft 5/8"	4	72	5024010059-0	Smooth Washer Ø16,5 X Ø29 X 1,21Mm	8
31	6020310485-8	Heavy Elastic Pin Ø6 X 36Mm	2	73	5232010523-4	Stretcher Shaft	2
32	5468010034-1	Handle Of Ratchet Disarm	2	74	6020010250-1	Retaining Oring	2
33	5284010073-1	Flange Of Right Ratchet Disarm	2	75	6020130100-1	Grease Fitting 1/4"	2
34	5284010061-8	Flange Of Left Ratchet Disarm	2	76	5368010499-5	Fixation Bearing	4
35	6020390293-2	Lock Ø5,75 X 40Mm	2	77	6020350849-5	Stretcher Pulley	4
36	5232010685-0	Shaft Of Manual Ratchet Disarm 3/4"	2	78	5232010405-0	Stretcher Shaft Sla	2
37	6020030669-7	Bushing Ø50 X 20Mm With Hexagonal Hole 3/4"	4	79	5024010154-5	Smooth Washer Ø16 X Ø29 X 3,00Mm	2
38	5558010082-0	Manual Disarm Lock	2	80	6020310833-0	Hexagonal Nut 5/8" 11F Esq Unc Gr5 Ch.1.1/16" Height 11,00Mm	2
39	6020250489-5	Helical Spring Ø23,5 X Ø31,5 X 65Mm	2	81	5232010404-1	Stretcher Shaft Sla	2
40	5024010007-7	Smooth Washer Ø20,3 X Ø46,5 X 4,75Mm	2	82	5024010026-3	Smooth Washer Ø13 X Ø26,5 X 1,21Mm	2
41	6020390308-4	Lock Nma - Type "R" Ø4,5 X 80Mm	2				
42	6020311066-1	Hexagonal Head Bolt 1/2" X 4.1/2" 12FW Gr5 Rp	4				
43	5136020318-6	Support Plate	2				
44	5472010302-0	Support Reinforcement Of Bearing	2				

• Complete Wheel Support W/Transmission



* Item 38 - See page 30

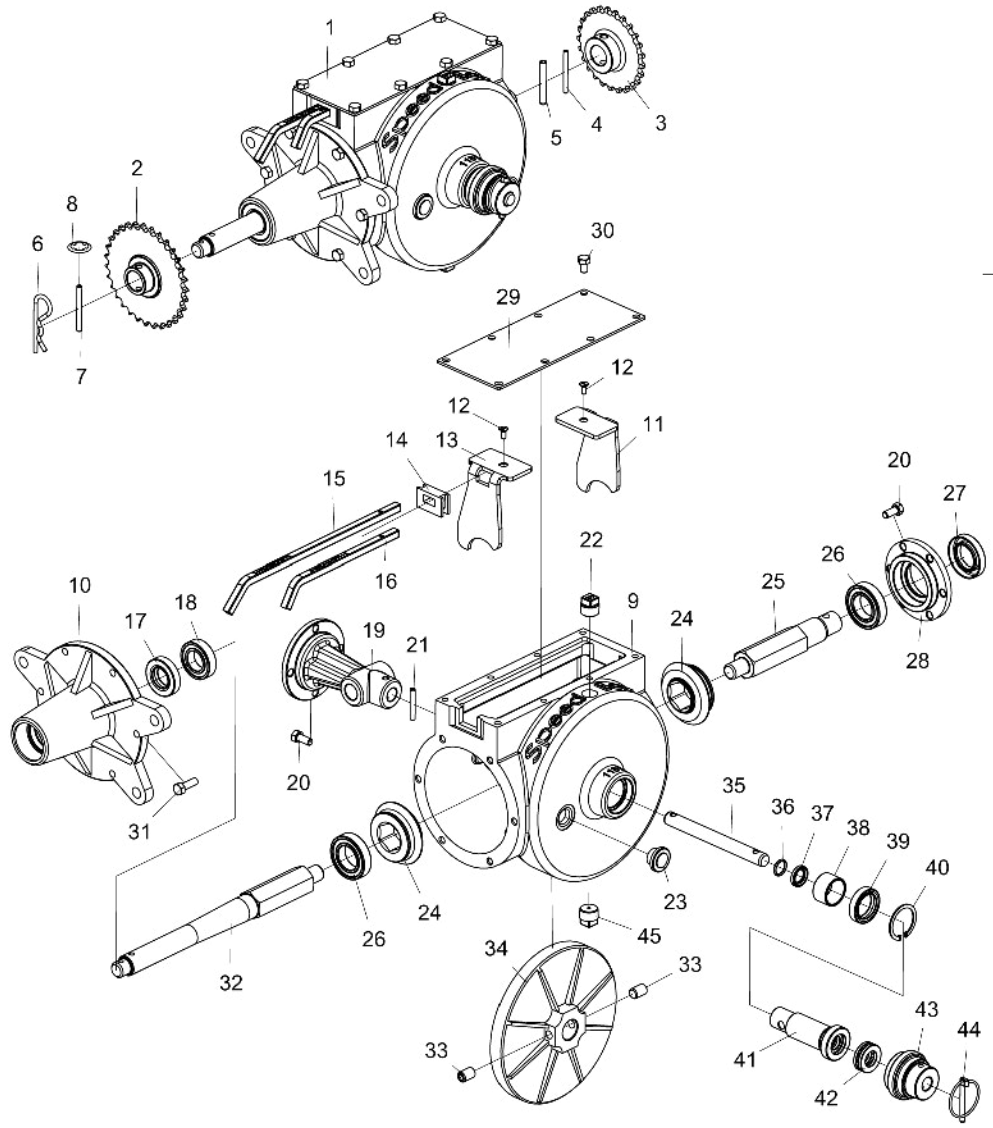
• Table Complete Wheel Support W/Transmission

Item	Code	Product description	All	Right	Left	Item	Code	Product description	All	Right	Left
1	5530011495-3	Complete Right Support Of Wheel		1		*38	6020055742-8	Hydraulic Cylinder "O.D" Ø1.5/8" X Ø3.1/4" X 126Mm(Course) X 419Mm(Closed)		1	
1	5530011494-5	Complete Left Support Of Wheel			1	*38	6020055743-6	Hydraulic Cylinder "O.D" Ø1.5/8" X Ø3.5/8" X 126Mm(Course) X 419Mm(Closed)			1
2	6020050800-1	Chain 2050 Of 61 Links + Amendment	1			39	5432010082-0	Flat Pin Of Shank	1		
3	5460010004-4	Shaft Clamp Hexagonal 1.1/4" Hole With Thread	2			40	5348050009-8	Complete Limiter Of Ø42 X 49,5Mm	1		
4	6020310016-0	Hexagonal Head Bolt 1/4" X 3/4" 20F Unc1A Gr5 Rt	5			41	6020130112-5	Grease Fitting 1/8"	3		
5	6020050801-0	Chain 2050 Of 30 Links + Reduction	1			42	6020311058-0	Hexagonal Head Bolt 1/2" X 2.3/4" 12F W Gr5 Rp	1		
6	5132020013-3	Left Complete Hitch Ratchet		1		43	5024010068-9	Smooth Washer Ø13,3 X Ø35,5 X 3,00Mm	1		
6	5132020012-5	Right Complete Hitch Ratchet			1	44	5268010186-8	Complete Chain Stretcher	1		
7	5080010041-8	Bushing Of Cube	1			45	6020010402-4	Pressure Washer 1/4" Media Industry	2		
8	5204100009-0	Ratchet Shaft Hub	1			46	5024010360-2	Smooth Washer Ø7 X Ø35 X 2,00Mm	2		
9	6020130108-7	Grease Fitting 1/8"	2			47	5308010002-3	Ratchet Handle	1		
10	6020311174-9	French Head Bolt 1/2" X 1.1/4" 12F W Gr2 Rt	2			48	6020250380-5	Right Torsion Helical Spring		1	
11	5530470039-3	Shaft Support	1			48	6020250379-1	Left Torsion Helical Spring			1
12	5530010437-0	Right Support Of Ratchet		1		49	5232010392-4	Hook Shaft	1		
12	5530010211-4	Left Support Of Ratchet			1	50	6020310472-6	Heavy Elastic Pin Ø6 X 55Mm	2		
13	6020010410-5	Pressure Washer 1/2" Media Industry	12			51	5136011101-0	Plate Of Lock Of Ratchet	1		
14	6020310754-7	Hexagonal Nut 1/2" 12F W Gr5 Ch.7/8" Height 12,00Mm	14			52	5530010645-4	Right Support Of Wheel Sla-P		1	
15	6020311066-1	Hexagonal Head Bolt 1/2" X 4.1/2" 12F W Gr5 Rp	2			52	5530010644-6	Wheel Left Support Sla-P			1
16	5136020318-6	Support Plate	1			53	5296010032-8	Regulator Spindle Of Wheel Support	1		
17	6020130100-1	Grease Fitting 1/4"	3			54	6020250317-1	Helical Spring Ø23 X Ø31 X 88Mm	1		
18	5232011652-0	Sliding Shaft	1			55	5024010075-1	Smooth Washer Ø10,3 X Ø25 X 2,00Mm	1		
19	6020310114-0	Allen Bolt S/C 1/2" X 1.1/4" 12F W Cl12.9 Rt (Phosphated)	1			56	5566010079-1	Complete Disarm Rod Of Ratchet	1		
20	5534010006-8	Relief Drum	1			57	6020250311-2	Helical Spring Ø13,5 X Ø22 X 81Mm Internal	1		
21	5400010043-1	Left Helical Spring Of Ø63 X 55Mm		1		58	6020311238-9	French Head Pin Ø9,8 X 28,5Mm	1		
21	5400010044-0	Right Helical Spring Of Ø63 X 55Mm			1	59	6020390308-4	Lock Nma - Type "R" Ø4,5 X 80Mm	2		
22	5132020006-0	Hitch Ratchet For Seed Fertilizer	1			60	5432010080-4	Flat Pin Ø1.1/2" X 200Mm	1		
23	6020010294-3	Retaining Ring E-50	1			61	6020310510-2	Heavy Elastic Pin Ø10 X 55Mm	1		
24	5530011496-1	Hitch Support Of Piston	1			62	5252010093-8	Support Hitch Sla-P	1		
25	6020311082-3	Hexagonal Head Bolt 5/8" X 5.1/2" 11F Unc1A Gr5 Rt	4			63	6020311029-7	Hexagonal Head Bolt 3/8" X 1.1/2" 16F Unc1A Gr5 Rt	4		
26	6010601783-5	Clamp 70Mm	2			64	5024010308-4	Smooth Washer Ø23 X Ø32 X 6,30Mm	2		
27	6020010412-1	Pressure Washer 5/8" Media Industry	13			65	5368010423-5	Sleeve Bearing With Self Compensation F110867-10 Krrhexagonal 3/4"	2		
28	6020310760-1	Hexagonal Nut 5/8" 11F Unc Gr5 Ch.1.1/16" Height 15,00Mm	12			66	6020010406-7	Pressure Washer 3/8" Media Industry	4		
29	6020310593-5	Pin Ø5/8" X 46mm	1			67	6020310746-6	Hexagonal Nut 3/8" 16F Unc Gr5 Ch.9/16" Height 8,50Mm	4		
30	5024010059-0	Smooth Washer Ø16,5 X Ø29 X 1,21Mm	3			68	6020312075-6	Hexagonal Head Bolt 5/8" X 2.1/2" 11F Unc1A Gr5 Rp Rosca Direita	6		
31	6020050101-5	Cotterpin 1/8" X 1"	2			69	6010601512-3	Clamp	2		
32	5566010088-0	Complete Spring Rod	1			70	5232010393-2	Double Gear Shaft	1		
33	5432010081-2	Pin Of Hitch	1			71	6020310488-2	Heavy Elastic Pin Ø6 X 32Mm	2		
34	6020050114-7	Cotterpin 1/4" X 1.1/2"	3			72	5256010086-8	Double Gear	1		
35	6020317427-9	Hexagonal Head Bolt 1/2" X 1.3/4" 12F W Gr5 Rt	4			73	6010601553-0	Support - Sla	1		
36	6020312060-8	Hexagonal Head Bolt 1/2" X 2.1/4" 12F W Gr5 Rp	3			74	5432020032-9	Pin "L" Ø3/4" X 94Mm	1		
37	5024010039-5	Smooth Washer Ø26,2 X Ø44 X 4,75Mm	3			75	5530010648-9	Support Of 770Mm	1		

• Table Complete Wheel Support W/Transmission

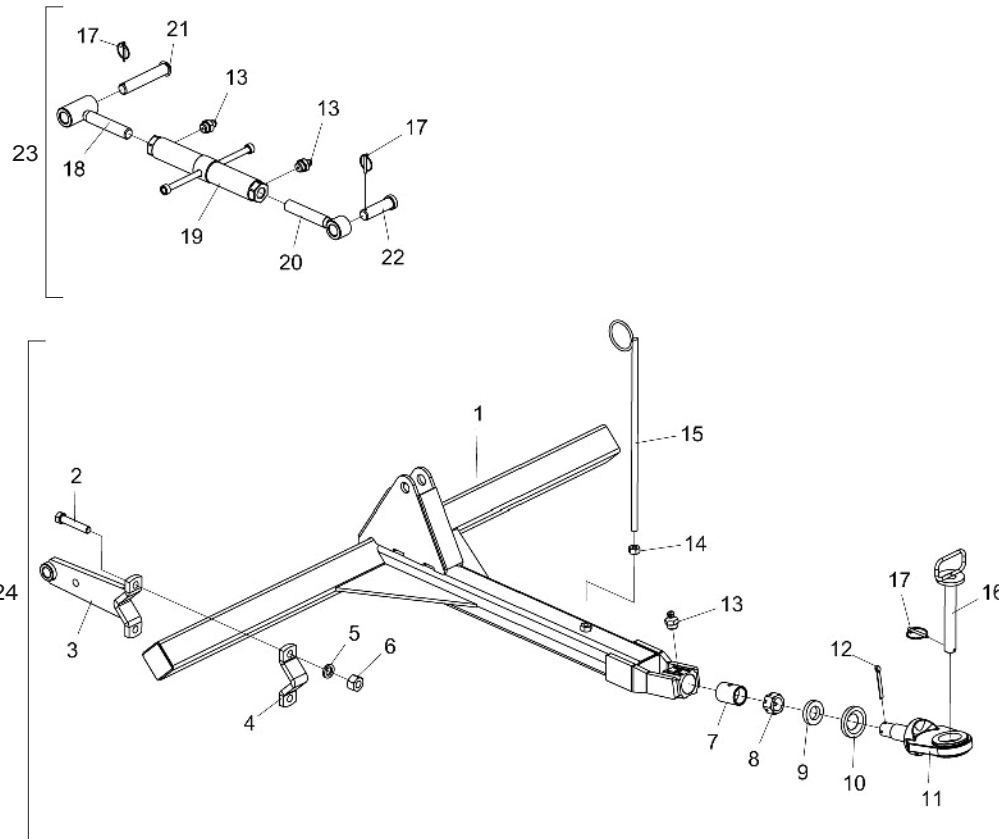
Item	Code	Product description	All	Right	Left	Item	Code	Product description	All	Right	Left
76	5268010183-3	Complete Chain Stretcher	1			115	5460010003-6	Shaft Clamp Hexagonal 1.1/4" With Hole Passante	2		
77	5268010217-1	Complete Left Chain Stretcher		1		116	5530011588-7	Right Support Of Wheel W/Transmissao		1	
77	5268010184-1	Complete Right Chain Stretcher			1	116	5530011587-9	Whell Left Support With Complete Transmision			1
78	5498010052-1	Complete Wheel 650 X 16 X 10 Ply	1								
79	6010601280-9	Upper Lock Of Triple Spring	1								
80	6020250298-1	Helical Spring Ø30,5 X Ø41,5 X 400Mm	1								
81	6020250297-3	Helical Spring Ø17,5 X Ø25,5 X 400Mm Internal	1								
82	5530016364-4	Lower Support Of Triple Spring	1								
83	5566040141-4	Rod Spring	1								
84	6020310349-5	Hexagonal Head Bolt M12 X 1,75 X 30Mm Cl8.8 R Wth Point	1								
85	5368010499-5	Fixation Bearing	2								
86	6020350104-0	Bearing F-110867-10 Hexagonal Hole 3/4"	2								
87	5268010187-6	Spare Chain Stretcher	1								
88	6020130104-4	Grease Fitting 1/4"	2								
89	6020350848-7	Stretcher Pulley	4								
90	6020010252-8	Retaining Oring	4								
91	5232010708-3	Stretcher Shaft	1								
92	6020310814-4	Self-Locking Nut With Nylon 1" 14F Uns Gr5 Ch.1.1/2" H.20,00Mm	2								
93	5558010079-0	Lock "L" Of Shaft	2								
94	6020310098-4	Allen Bolt C/C 5/16" X 7/8" 18F Unc1A Cl12.9 Rt (Phosphated)	3								
95	5256030004-2	Gear 14 Teeth With Central Hole Ø73,2Mm	1								
96	5080010352-2	Backrest Bushing	1								
97	6020310998-1	Hexagonal Head Bolt 9/16" X 2" 18F Unf1A Gr5 Rp	6								
98	6020310816-0	Double Conic Hexagonal Nut Of Wheel 9/16" 18F Unf Gr5 Ch.7/8" Height 19,00Mm	6								
99	6020310736-9	Hexagonal Nut 9/16" 18F Unf Gr5 Ch.7/8" Height 12,50Mm	6								
100	5204010245-0	Wheel Hub	1								
101	6020350201-2	Retainer Ø40,00 X Ø62,00 X 12,00Mm	2								
102	6020350007-9	Bearing 6206(Skf-Nsk-Timken)	2								
103	5232010453-0	Wheel Hub Shaft	1								
104	5080010351-4	Small Back Bushing	1								
105	6020310738-5	Hexagonal Nut 5/8" 11F Unc Gr5 Ch.1.1/16" Height 11,00Mm	1								
106	5232010448-3	Stretcher Shaft 61,5Mm	1								
107	5268010218-0	Left Chain Stretcher		1							
107	5268010185-0	Right Chain Stretcher			1						
108	5136011100-1	Upper Plate Of Stretcher	1								
109	6020311000-9	Hexagonal Head Bolt 1/4" X 1/2" 20F Unc1A Gr5 Rt	1								
110	5498100036-9	Complete Wheel 650 X 16 X 10 Ply Military Tyre	1								
111	5204010244-2	Complete Wheel Hub	1								
112	6020350402-3	Rim 5,5" X 16" 16.392	1								
113	6020050356-5	Inner Tube 750X16	1								
114	6020310399-1	Agricultural Military Tyre 650 X 16 X 10 Ls Bl	1								

• Speed Box



Item	Code	Product description	All	Right (Seed)	Left (Fertilizer)
1	5092010053-5	Complete Right Speed Box	1		
1	5092010054-3	Complete Left Speed Box		1	
2	5256010058-2	Complete Gear 20/25 Teeth	1		
2	5256010054-0	Complete Gear 20/31 Teeth		1	
3	5256010052-3	Gear 20 Teeth	1		
3	5256010053-1	Gear 25 Teeth		1	
4	6020311251-6	Heavy Elastic Pin Ø5 X 55Mm	1		
5	6020311252-4	Heavy Elastic Pin Ø8 X 55Mm	1		
6	6020390308-4	Lock Nma - Type "R" Ø4,5 X 80Mm	1		
7	5432010040-5	Fuse Pin Ø6 X 60Mm	1		
8	6020010326-5	Retaining Oring	2		
9	5112010011-8	Right Gear Box Housing		1	
9	5112010012-6	Left Gear Box Housing			1
10	5538010093-1	Cover Of Reduction Box	1		
11	5554010017-8	Right Support	1		
12	6020312502-2	Bolt №10 X 1/2" 24F Unc2A Gr2 Rt	2		
13	5554010015-1	Left Support	1		
14	6020030015-0	Protection Speed Box Protection With Hole	1		
15	5260040006-1	Alphabetical Regulating Shaft De 299Mm	1		
16	5260040007-0	Numerical Regulating Shaft De 200Mm	1		
17	6020350204-7	Retainer Ø25,00 X Ø47,00 X 10,00Mm	1		
18	6020350075-3	Bearing 6005 2Rs	1		
19	5538010085-0	Rear Cover	1		
20	6020312020-9	Hexagonal Head Bolt 5/16" X 3/4" 18F Unc1A Gr5 Rt	10		
21	6020310506-4	Heavy Elastic Pin Ø6 X 40Mm	1		
22	5081010013-0	Plug R.1/2 X 14 Npt W/Hole 3,00Mm	1		
23	6020430193-2	Oil Display	1		
24	6020010999-9	Gear 21 Teeth	2		
25	5232120183-0	Small Shaft Of Gear Box	1		
26	6020350006-0	Bearing 6006 2Rs Ddu	2		
27	6020350245-4	Retainer Ø30,00 X Ø52,00 X 10,00Mm	1		
28	5538010086-9	Front Cover Of Reduction Box	1		
29	5538060003-9	Cover Of 100 X 250 X 3,00Mm	1		
30	6020311020-3	Hexagonal Head Bolt 5/16" X 1/2" 18F Unc1A Gr2 Rt	8		
31	6020310038-0	Hexagonal Head Bolt 5/16" X 1" 18F Unc1A Gr5 Rt	6		
32	5232120184-9	Small Shaft Of Gear Box	1		
33	6020317426-0	Allen Bolt S/C 1/2" X 3/4" 12F W Cl12.9 Rt (Phosphated)	2		
34	5256060005-4	Crown Of Reduction Box	1		
35	5232020209-4	Shaft Ø5/8" X 157Mm	1		
36	6020010022-3	O' Ring 2-114 N3006-90Nbr (15,54)	1		
37	6020350274-8	Retainer Ø15,90 X Ø25,40 X 4,50Mm	1		
38	5080020804-9	Bushing Of Ø30 X Ø35 X 21Mm	1		
39	6020350275-6	Retainer Ø30,00 X Ø43,00 X 9,50Mm	1		
40	6020010305-2	Retaining Ring I-42	1		
41	5080010232-1	Bushing Of Ø25 X 100Mm	1		
42	6020350086-9	Bearing Skf 51203	1		
43	5468010024-4	Shaft Handle	1		
44	6020390301-7	Lock Ø5,75 X 50Mm	1		
45	5081010012-2	Plug R.1/2 X 14 Npt	1		

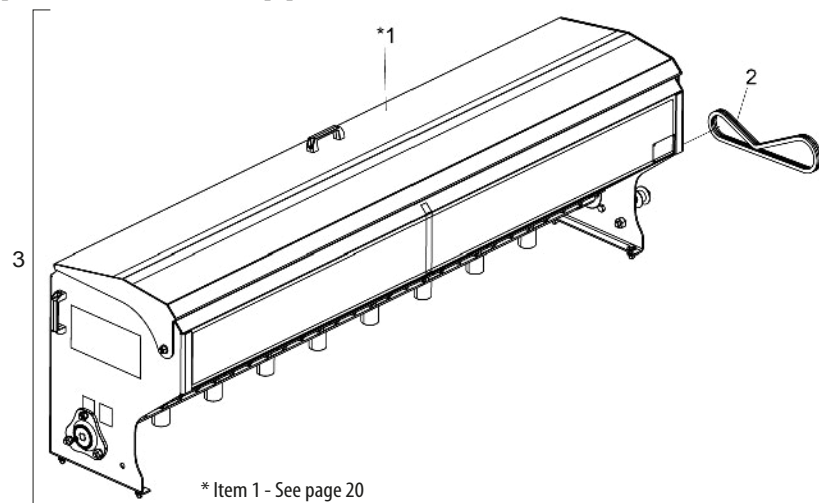
• Complete Hitch Drawbar



Item	Código	Descrição do produto	Todos
1	5084010078-0	Cabeçalho De Engate Completo	1
2	6020311099-8	Parafuso Cab.Sextavada 3/4" X 4" 10F Unc1A Gr5 Rp (Bicromatizado)	4
3	5530010627-6	Suporte De Engate	2
4	5530220003-2	Suporte De Engate	2
5	6020010414-8	Arruela De Pressão 3/4" Média Industrial (Bicromatizado)	4
6	6020310770-9	Porca Sextavada 3/4" 10F Unc Gr5 Ch.1.7/32" Alt.18,50mm (Bicromatizado)	4
7	5080010151-1	Bucha Do Cabeçalho	1
8	6020310857-8	Porca Sextavada Castelo 1.1/2" 12F Unf Gr2 Ch.2" Alt.30,00mm (Bicromatizado)	1
9	5024010217-7	Arruela Lisa De Ø39 X Ø68 X 12,00mm	1
10	5024010327-0	Arruela Lisa De Ø45 X Ø87 X 12,00mm	1
11	5332010018-2	Jumelo De Engate	1
12	6020050116-3	Contrapino 1/4" X 2" (Zincado Branco)	1
13	6020130108-7	Graxeira 1/8" Reta Bsp-28F	3
14	6020310760-1	Porca Sextavada 5/8" 11F Unc Gr5 Ch.1.1/16" Alt.15 ,00mm (Bicromatizado)	1
15	5530060020-3	Suporte Das Mangueiras	1
16	5432010025-1	Pino C/Puxador De Ø1.1/4" X 215mm	1
17	6020390301-7	Trava C/Argola Ø5,75 X 50mm	3
18	5484040005-3	Regulador C/Rosca Esquerda	1
19	5484010014-9	Regulador Do Cabeçalho	1
20	5484040003-7	Regulador De R.1.1/4"Unc X 197mm C/Bucha	1
21	5432120117-5	Pino Cab.Francesa Ø30,53 X 165mm	1
22	6020310591-9	Pino Cab.Redonda Ø30,53 X 98mm	1
23	5484010012-2	Regulador Completo	1
24	5084010092-5	Cabeçalho De Engate Completo	1

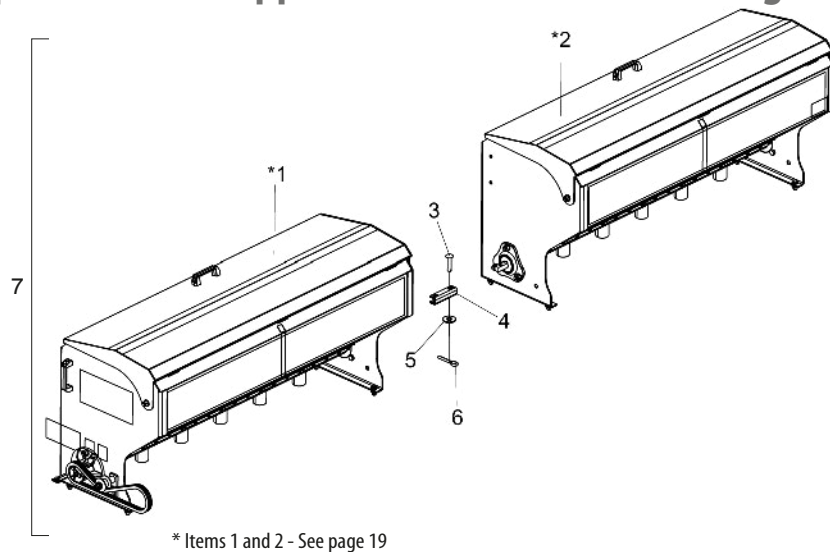
The Complete Hitch Drawbar (24) consists of all parts listed in this list. However, when sold complete, Items 14 through 23 will not accompany you.

• Complete Metallic Hopper SLA 2500



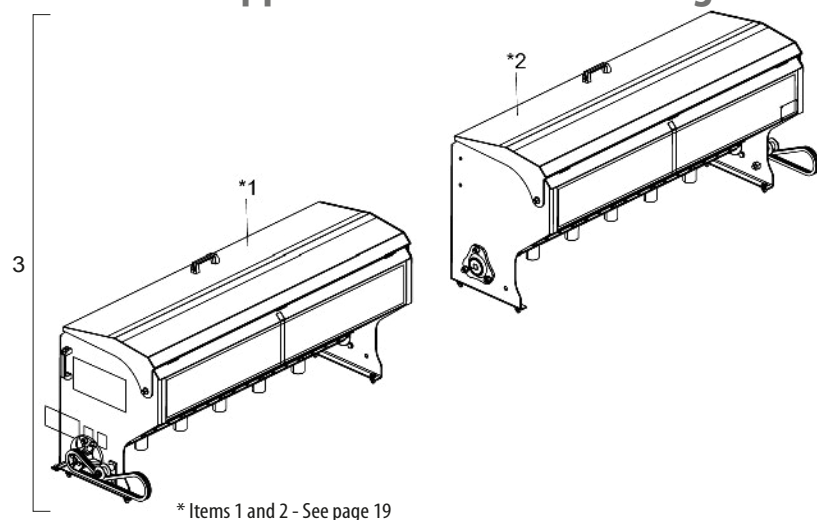
Item	Code	Product description	All
*1	5208010782-0	Complete Metallic Fertilizer Hopper Sla-2500	1
2	6020051098-7	Chain (Asa 40) 76 Links + Reduction	1
3	5208011311-0	Complete Metallic Fertilizer Hopper Sla-2500	1

• Complete Metallic Hopper SLA 3000 Without Finishing



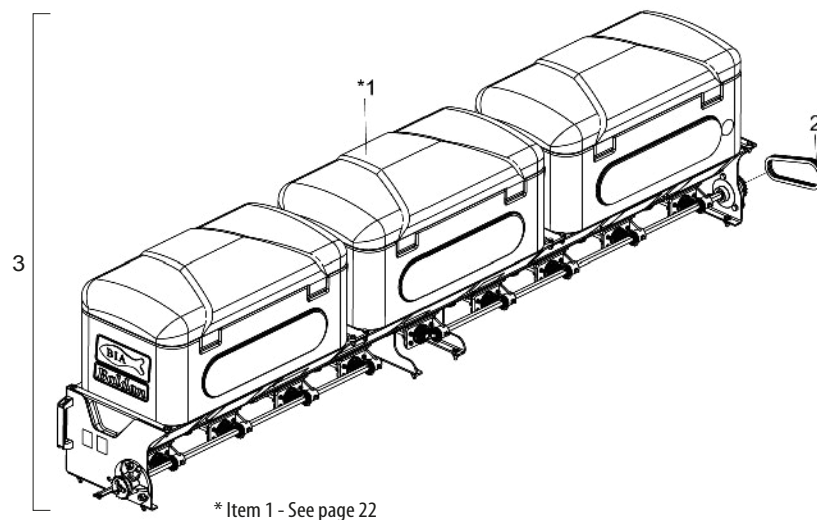
Item	Code	Product description	All
*1	5208011306-4	Complete Right Metallic Fertilizer Hopper Sla-3000((Without Finishing)	1
*2	5208011305-6	Complete Left Metallic Fertilizer Hopper Sla-3000((Without Finishing)	1
3	6020311240-0	French Head Pin Ø9,8 X 37Mm	2
4	5530500130-8	Union Support	1
5	5024010075-1	Smooth Washer Ø10,3 X Ø25 X 2,00Mm	2
6	6020050099-0	Cotterpin 1/8" X 3/4"	2
7	5208011307-2	Complete Metallic Fertilizer Hopper Sla-3000 (Without Finishing	1

• Complete Metallic Hopper SLA 3000 With Finishing



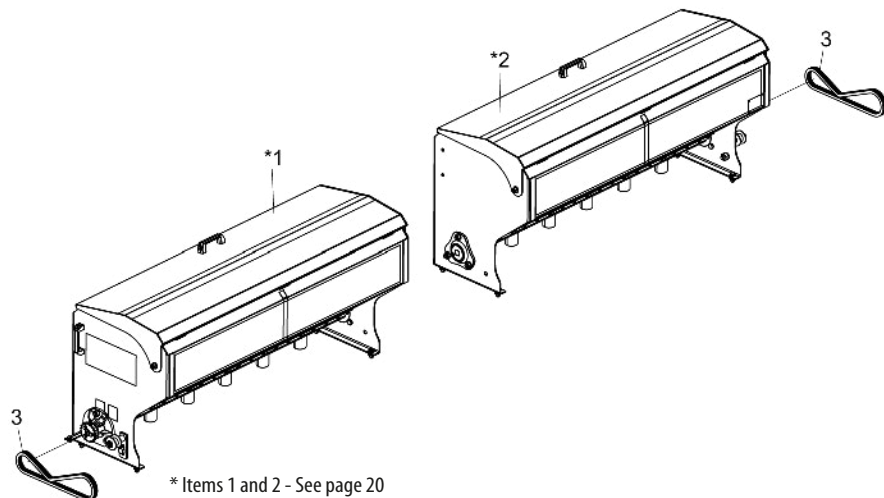
Item	Code	Product description	All
*1	5208011309-9	Complete Right Metallic Fertilizer Hopper Sla-3000(With Finishing)	1
*2	5208011308-0	Complete Left Metallic Fertilizer Hopper Sla-3000(With Finishing)	1
3	5208011310-2	Complete Metallic Fertilizer Hopper Sla-3000 With Finishing	1

• Complete Plastic Hopper SLA 3000 With Finishing



Item	Code	Product description	All
*1	5208010796-0	Complete Plastic Fertilizer Hopper Sla-3000 Precision(With Finishing)	1
2	6020050813-3	Chain (Asa 40) 51 Links + Amendment	2
3	5208011316-1	Complete Plastic Fertilizer Hopper Sla-3000(With Finishing)	1

• Right/Left Metallic Hopper SLA 3000

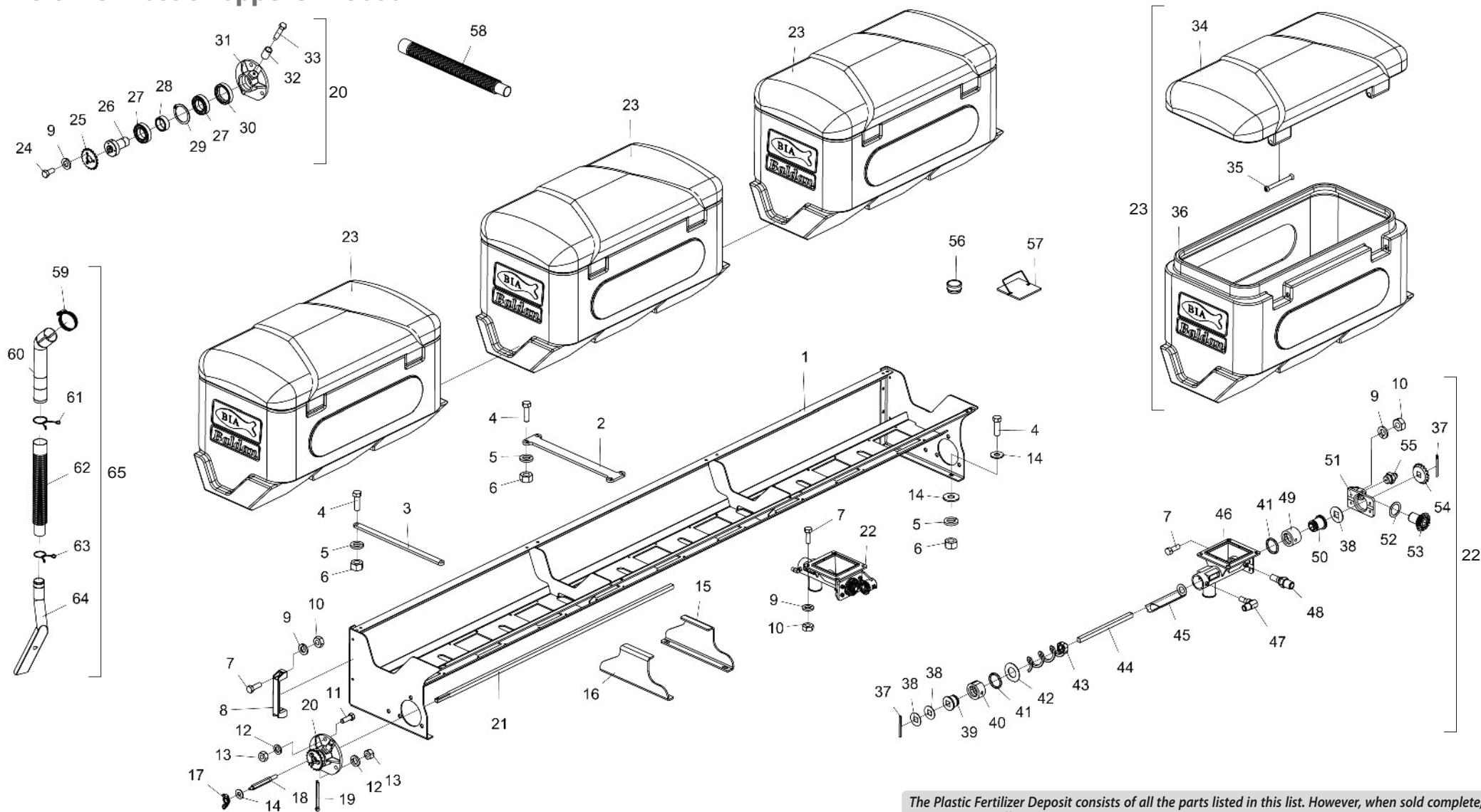


Item	Code	Product description	All	
			SLA 3000 Without Finishing	SLA 3000 With Finishing
*1	5208010729-3	Complete Right Metallic Fertilizer Hopper Sla-3000 ((Without Finishing)	1	
*1	5208010714-5	Complete Right Metallic Fertilizer Hopper Sla-3001		1
*2	5208010730-7	Complete Left Metallic Fertilizer Hopper Sla-3000 ((Without Finishing)	1	
*2	5208010715-3	Complete Left Metallic Fertilizer Hopper Sla-3001		1
3	6020051098-7	Chain (Asa 40) 76 Links + Reduction	1	2

• Table Fertilizer Metallic Hopper SLA 2500/3000

Item	Code	Product description	All	SLA 2500			
				SLA 3000 Without Finishing(Right)	SLA 3000 Without Finishing(Left)	SLA 3000 With Finishing(Right)	SLA 3000 With Finishing(Left)
1	5208010781-1	Fertilizer Hopper Sla Precision 2501	1				
1	5208010716-1	Fertilizer Hopper Sla-P3001	1	1	1	1	1
2	5538010263-2	Cover Of Fertilizer Box Da Sla-2501	1				
2	5538010220-9	Cover Of Fertilizer Box Sla-P3001	1				
3	6020310882-9	Hexagonal Head Bolt Inox 5/16" X 3/4" 18F Unc2A Rt	43	31	28	31	31
4	6020010922-0	Nylon Belt Pmc 594 - 132 X 32 Mm	3	2	2	2	2
5	6020010434-2	Pressure Washer Inox 5/16" Media	67	47	44	47	47
6	6020310767-9	Brass Hexagonal Nut 5/16" 18F Unc Ch.1/2" H.6,50Mm	64	44	44	44	44
7	6020310886-1	Hexagonal Head Bolt Inox 1/2" X 1.1/2" 12F W Rt	7	7	8	7	7
8	5024010026-3	Smooth Washer Ø13 X Ø26,5 X 1,21Mm	4				
9	5080020484-1	Bushing Of Ø13, 1 X Ø31,5 X 12,5Mm	2				
10	6020310809-8	Self-Locking Nut With Nylon 1/2" 12F W Gr5 Ch.3/4" H.15,50Mm	2				
11	6020310883-7	Hexagonal Head Bolt Inox 5/16" X 1" 18F Unc2A Rt	22	14	14	14	14
12	6020310026-7	Hexagonal Head Bolt 3/8" X 1.1/4" 16F Unc1A Gr5 Rt	4				
13	5024010075-1	Smooth Washer Ø10,3 X Ø25 X 2,00Mm	8	9	8	9	9
14	6020010406-7	Pressure Washer 3/8" Media Industry	4				
15	6020310746-6	Hexagonal Nut 3/8" 16F Unc Gr5 Ch.9/16" Height 8,50Mm	4				
16	5538010159-8	Fertilizer Dosing Cover	9	6	6	6	6
17	6020050531-2	Fertilizer Cap	9	6	6	6	6
18	6020030136-9	Fertilizer Distributor Funnel	9	6	6	6	6
19	5024010073-5	Smooth Washer Ø8,5 X Ø20 X 2,00Mm	58	40	40	40	40
20	6020310884-5	Hexagonal Head Bolt Inox 5/16" X 1.1/4" 18F Unc2A Rt	2				
21	6010601367-8	Left Cover Of Fertilizer	1				
22	5094010065-5	Internal Wedge Of Funnel 65Mm	1				
22	5094010066-3	Left External Slotted Hole Funnel Wedge 59Mm	1				
22	6020050617-3	Nozzle Wedge		2	2	2	2
23	6020390433-1	Small Cover Of Cunette	1				
24	5136180363-2	Plate "L" De Apoia Da Caixa	2				
25	6020010435-0	Pressure Washer Inox 1/2" Media	6				
26	6020310754-7	Hexagonal Nut 1/2" 12F W Gr5 Ch.7/8" Height 12,00Mm	6				
27	6020390340-8	Small Buffer		2	2	2	2
28	5048010025-2	Plastic Chock Absorver W/Metalic Reinforcement		5	5	5	5
29	5204010199-3	Complete Fertilizer Hooper Hub	1	1	2	1	1
30	5204010284-1	Complete Left Hub With Gear Of 20 Teeth For Shaft 3/4"	1				1
30	5204010285-0	Complete Right Hub With Gear De 20 Teeth For Shaft 3/4"		1		1	
31	6020050120-1	Cotterpin 1/4" X 3"	1	1	1	1	1
32	5232010395-9	Large Shaft Of Protection Cap Fixation	1	1		1	1
33	6020030104-0	Nut Ø3/8" 16F Unc		1		1	1
34	5268010135-3	Complete Chain Stretcher	1	1		1	1
35	5232010469-6	Complete Fertilizer Shaft Sla 2500	1				
35	5232010408-4	Complete Right Fertilizer Shaft (Sla-3000) ((Without Finishing)		1			
35	5232010409-2	Complete Left Fertilizer Shaft Sla-3000 ((Without Finishing).			1		
35	5232010384-3	Complete Fertilizer Shaft Sla-3000				1	1
36	5024010374-2	Smooth Washer Ø36 X Ø52 X 1,50Mm(Inox)					
37	6020010266-8	Retaining Oring	3	3	4	3	3
38	6020350255-1	Retainer Ø35,00 X Ø47,00 X 10,00Mm	2	2	2	2	2
39	6020050487-1	Fertilizer Shaft Hub	1	1	2	1	1
40	6020350013-3	Bearing 6007-2Rs	3	3	2	3	3
41	5204070016-1	Shaft Hub	1	1	2	1	1
42	6020130104-4	Grease Fitting 1/4"	1	1	2	1	1
43	6020310179-4	Hexagonal Head Bolt 5/8" X 1.3/4" 11F Unc1A Gr5 Rt	1	1		1	1
44	6020010412-1	Pressure Washer 5/8" Media Industry	1	1		1	1
45	6020310760-1	Hexagonal Nut 5/8" 11F Unc Gr5 Ch.1.1/16" Height 15,00Mm	1	1		1	1
46	5268010132-9	Spare Chain Stretcher	1	1		1	1
47	6020350849-5	Stretcher Pulley	1	1		1	1
48	5024010059-0	Smooth Washer Ø16,5 X Ø29 X 1,21Mm	1	1		1	1
49	6020010252-8	Retaining Oring	1	1		1	1
50	6020130112-5	Grease Fitting 1/8"	1	1		1	1
51	6020311040-8	Hexagonal Head Bolt 7/16" X 2" 14F Unc1A Gr5 Rp	1	1		1	1
52	5080020112-5	Bushing Of Ø14 X Ø19 X 28Mmm	1	1		1	1
53	5204010201-9	Left Hub Of Fertilizer Shaft	1				1
53	5204010135-7	Right Fertilizer Shaft Hub		1		1	
54	5080020057-9	Bushing Of Ø35 X Ø45 X 17Mm	1	1		1	1
55	5204010283-3	Gear Fixation Hub (Shaft 3/4")	1	1		1	1
56	5256010059-0	Gear 20 Teeth	1	1		1	1
57	5400010010-5	Left Spiral Spring Q21X195X7,93Mm (Pace 50,8Mm) With Washer	9	6	6	6	6
58	5232010470-0	Shaft Sq.3/4" X 2195Mm.	1				
58	5232010406-8	Right Shaft Sq.3/4" X 1555,5Mm		1			
58	5232010407-6	Left Shaft Sq.3/4" X 1513,50Mm			1		
58	5232010385-1	Shaft Sq.3/4" X 1504,50Mm				1	1
59	5024070008-2	Special Washer 20 X Ø52 X 2,5Mm Spiral Spring	1				
60	6020050107-4	Cotterpin 3/16" X 1" (Inox)	10	7	7	7	7
61	5024010239-8	Smooth Washer Ø16,5 X Ø37 X 3,00Mm	1	1		1	1
62	6020250054-7	Rubber Tube Ø38 X Ø50,8 X 555Mm	4				
63	5538010245-4	Complete Large Tube(Cx Metal/Inox)	8				
64	6020390815-9	Fertilizer Funnel Cover	8				
65	6020030118-0	Right Round Funnel	2				
65	6020030119-9	Left Round Funnel	2				
66	6020250322-8	Lock Spring	4				
67	6020250111-0	Rubber Tube Ø38 X Ø50,8 X 400Mm	4				
68	6020250339-2	Lock Spring	4				
69	6020090064-5	Extension Of Fertilizer Hose	4				
70	6020010706-6	Clamp 044 X 057 X 14,5Mm (Carbon Steel)	4				
71	5150010016-1	Complete Fertilizer Right Conductor	2				
71	5150010017-0	Complete Fertilizer Left Conductor	2				

• Fertilizer Plastic Hopper SLA 3000

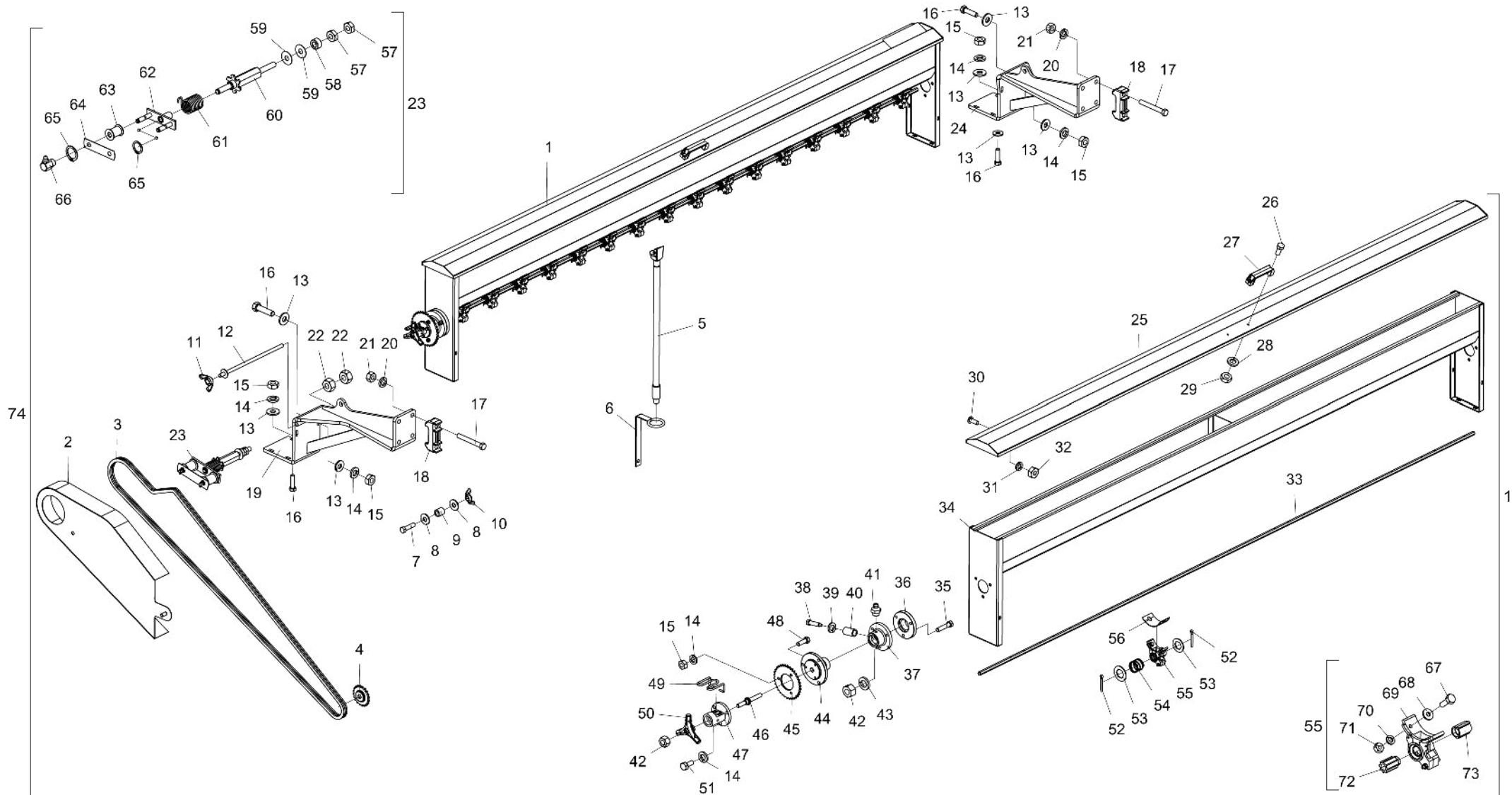


The Plastic Fertilizer Deposit consists of all the parts listed in this list. However, when sold complete, Items 56 to 65 will not accompany you.

• Table Fertilizer Plastic Hopper SLA 3000

Item	Code	Product description	All	Item	Code	Product description	All
1	5530010875-9	Support Of Plastic Box 3000	1	39	5080010285-2	Small Bushing Of Fertilizer Conductor	1
2	5558010121-5	Small Central Lock Of Plastic Box	2	40	6020030083-4	Bushing 052 X 27Mm Small	1
3	5558010126-6	Lateral Lock Of Plastic Box	2	41	6020010043-6	O' Ring 2-214 N3006-90Nbr (24,99)	2
4	6020310026-7	Hexagonal Head Bolt 3/8" X 1.1/4" 16F Unc1A Gr5 Rt	20	42	5024010341-6	Special Washer The Plastic Box	1
5	6020010406-7	Pressure Washer 3/8" Media Industry	20	43	5400010116-0	Left Spiral Spring Sq.17,5 X 175 X 7,93Mm (Pace 50,8Mm)	1
6	6020310746-6	Hexagonal Nut 3/8" 16F Unc Gr5 Ch.9/16" Height 8,50Mm	20	44	5232010526-9	Shaft Sq.5/8" X 295Mm Fertilizer	1
7	6020310883-7	Hexagonal Head Bolt Inox 5/16" X 1" 18F Unc2A Rt	44	45	5106010066-0	Fertilizer Cover	1
8	6020010925-5	Nylon Belt Pmc 594 - 190 X 32Mm	2	46	6020050381-6	Fertilizer Conductor	1
9	6020010434-2	Pressure Washer Inox 5/16" Media	48	47	6020051090-1	Long Steel Connection "Jma" 6X1/8" Bsp	1
10	6020310767-9	Brass Hexagonal Nut 5/16" 18F Unc Ch.1/2" H.6,50Mm	44	48	6020051089-8	Long Steel Connection "Uma" 6X1/8" Bsp	1
11	6020310886-1	Hexagonal Head Bolt Inox 1/2" X 1.1/2" 12F W Rt	4	49	6020030084-2	Bushing Ø50 X 35Mm Large	1
12	6020010435-0	Pressure Washer Inox 1/2" Media	6	50	5080010286-0	Large Bushing Of Conductor Of Fertilizer	1
13	6020310754-7	Hexagonal Nut 1/2" 12F W Gr5 Ch.7/8" Height 12,00Mm	6	51	5092010164-7	Transmission Box	1
14	5024010075-1	Smooth Washer Ø10,3 X Ø25 X 2,00Mm	18	52	5024010057-3	Smooth Washer Ø29,5 X Ø41 X 1,21Mm	1
15	5136011430-2	Left Central Support Plate	1	53	6020310481-5	Pinion 16 Teeth	1
16	5136011431-0	Right Central Support Plate	1	54	6020310495-5	Pinion 18 Teeth	1
17	6020030104-0	Nut Ø3/8" 16F Unc	2	55	6020130108-7	Grease Fitting 1/8"	1
18	5232010395-9	Large Shaft Of Protection Cap Fixation	2	56	6020390815-9	Fertilizer Funnel Cover	8
19	6020050120-1	Cotterpin 1/4" X 3"	2	57	5538010244-6	Complete Large Tube (Plastic Box)	5
20	5204010293-0	Complete Right Hub With Gear De 20 Teeth For Shaft 5/8"	1	58	6020250054-7	Rubber Tube Ø38 X Ø50,8 X 555Mm	4
20	5204010294-9	Complete Left Hub With Gear Of 20 Teeth For Shaft 5/8"	1	59	6020010706-6	Clamp 044 X 057 X 14.5Mm (Carbon Steel)	4
21	5232010528-5	Front Right Fertilizer Shaft	1	60	6020090064-5	Extension Of Fertilizer Hose	4
21	5232010529-3	Front Left Fertilizer Shaft	1	61	6020250339-2	Lock Spring	4
22	5150010004-8	Left Fertilizer Conductor W/Pace Of 50,80Mm Complete	1	62	6020250111-0	Rubber Tube Ø38 X Ø50,8 X 400Mm	4
23	6020055113-6	Plastic Box For Fertilizer 200 Liters With Cover	3	63	6020250322-8	Lock Spring	4
24	6020310882-9	Hexagonal Head Bolt Inox 5/16" X 3/4" 18F Unc2A Rt	6	64	6020030118-0	Right Round Funnel	2
25	5256010059-0	Gear 20 Teeth	2	64	6020030119-9	Left Round Funnel	2
26	5204010300-7	Gear Fixation Hub (Shaft 5/8")	2	65	5150010016-1	Complete Fertilizer Right Conductor	2
27	6020350013-3	Bearing 6007-2Rs	4	65	5150010017-0	Complete Fertilizer Left Conductor	2
28	5080020057-9	Bushing Of Ø35 X Ø45 X 17Mm	2				
29	6020010266-8	Retaining Oring	2				
30	6020350255-1	Retainer Ø35,00 X Ø47,00 X 10,00Mm	2				
31	5204010135-7	Right Fertilizer Shaft Hub	1				
31	5204010201-9	Left Hub Of Fertilizer Shaft	1				
32	5080020112-5	Bushing Of Ø14 X Ø19 X 28Mmm	2				
33	6020311040-8	Hexagonal Head Bolt 7/16" X 2" 14F Unc1A Gr5 Rp	2				
34	6020390115-4	Cover Of Plastic Cover Sla	3				
35	6020390912-0	Aluminium Tube Ø13,2 X 137Mm (With Ferrule)	6				
36	6020055114-4	Plastic Box For Fertilizer 200 Liters Without Cover	3				
37	6020310539-0	Heavy Elastic Pin Ø3 X 36Mm	2				
38	5024010342-4	Smooth Washer Sq.16,5 X Ø46 X 1,50Mm	3				

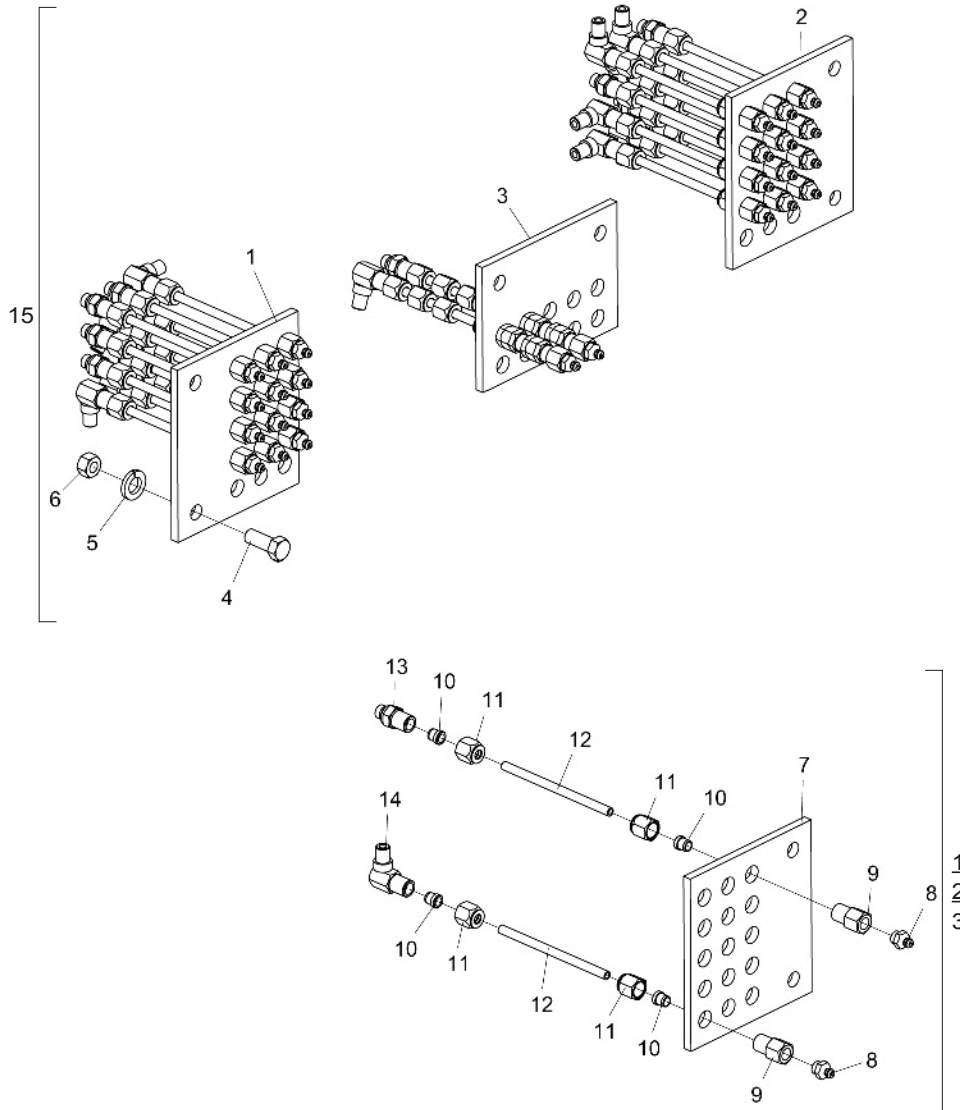
• Complete Pasture Seed Hopper



• Table Complete Pasture Seed Hopper

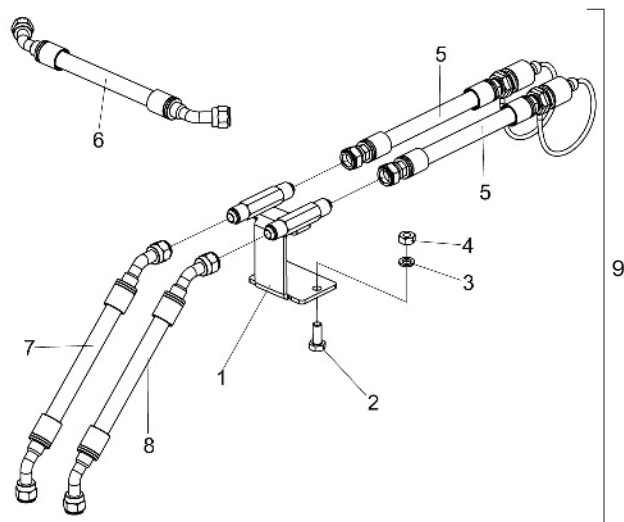
Item	Code	Product description	All	5 Rows	7 Rows	Item	Code	Product description	All	5 Rows	7 Rows
1	5092010419-0	Complete Pasture Seed Hopper Sla-3000	1			40	5080020229-6	Bushing Of Ø14 X Ø19 X 33Mm	1		
1	5092010248-1	Pasture Seed Hopper Sla-3000	1			41	6020130108-7	Grease Fitting 1/8"	1		
2	5106010117-9	Chain Protector Cover	1			42	6020310746-6	Hexagonal Nut 3/8" 16F Unc Gr5 Ch.9/16" Height 8,50Mm	4		
3	6020051106-1	Chain (Asa 40) 231 Links + Amendment	1			43	6020010406-7	Pressure Washer 3/8" Media Industry	3		
4	5256010060-4	Gear 20 Teeth For Shaft 5/8"	1			44	5204070027-7	Hub With Hexagonal Hole	1		
5	5052030025-0	Complete Funnel Of Pasture Seed Hopper		5	7	45	5256010088-4	Gear 34 Teeth	1		
6	5530010559-8	Support Of Hoses		5	7	46	5296010009-3	Regulator Spindle Of Shaft (Csf)	1		
7	6020311029-7	Hexagonal Head Bolt 3/8" X 1.1/2" 16F Unc1A Gr5 Rt	1			47	5484010035-1	Scale Regulator	1		
8	5024010075-1	Smooth Washer Ø10,3 X Ø25 X 2,00Mm	2			48	6020310038-0	Hexagonal Head Bolt 5/16" X 1" 18F Unc1A Gr5 Rt	3		
9	5080010845-1	Bushing Of Ø10,3 X Ø5/8" X 16Mm(Galvanised)	1			49	6020010991-3	Regulator Lock	1		
10	6020030104-0	Nut Ø3/8" 16F Unc	1			50	5484010034-3	Pasture Seed Hopper Regulator	1		
11	6020030106-7	Nut Ø1/2" 12F Nc	1			51	6020311001-7	Hexagonal Head Bolt 1/4" X 5/8" 20F Unc1A Gr5 Rt	3		
12	5232010826-8	Complete Fixation Shaft of Protection Cap	1			52	6020050101-5	Cotterpin 1/8" X 1"	32		
13	5024010073-5	Smooth Washer Ø8,5 X Ø20 X 2,00Mm	12			53	5024100001-7	Smooth Washer With Hexagonal Hole 13,5 X Ø25 X 1,21Mm	32		
14	6020010404-0	Pressure Washer 5/16" Media Industry	12			54	6020250350-3	Helical Spring Ø16 X Ø18 X 16Mm	16		
15	6020310744-0	Hexagonal Nut 5/16" 18F Unc Gr5 Ch.1/2" Height 6,50Mm	9			55	5092100006-2	Complete Seed Distributor Box	16		
16	6020311023-8	Hexagonal Head Bolt 5/16" X 1.1/4" 18F Unc1A Gr5 Rt	6			56	5538010207-1	Internal Cover Of Seed Box	16		
17	6020311081-5	Hexagonal Head Bolt 5/8" X 5" 11F Unc1A Gr5 Rp	8			57	6020310738-5	Hexagonal Nut 5/8" 11F Unc Gr5 Ch.1.1/16" Height 11,00Mm	2		
18	6010601783-5	Clamp 70Mm	4			58	5080020777-8	Bushing Of Ø16,67 X Ø1.1/4" X 17Mm	1		
19	5530011723-5	Right Support Of Pasture Seed Box	1			59	5024010051-4	Smooth Washer Ø16 X Ø44 X 1,21Mm	2		
20	6020010412-1	Pressure Washer 5/8" Media Industry	8			60	5232010828-4	Complete Stretcher Shaft	1		
21	6020310760-1	Hexagonal Nut 5/8" 11F Unc Gr5 Ch.1.1/16" Height 15,00Mm	8			61	6020250219-1	Torsion Helical Spring Ø38 X Ø46 X 67Mm	1		
22	6020310754-7	Hexagonal Nut 1/2" 12F W Gr5 Ch.7/8" Height 12,00Mm	2			62	5268010146-9	Spare Chain Stretcher	1		
23	5268010260-0	Complete Chain Stretcher	1			63	5506010014-3	Roller Of Stretcher	2		
24	5530011724-3	Left Support Of Pasture Seed Box	1			64	5136020627-4	Front Plate Of Stretcher	1		
25	5538010203-9	Cover Of Pasture Seed Hopper Sp-Light 3001	1			65	6020010252-8	Retaining Oring	3		
26	6020310882-9	Hexagonal Head Bolt Inox 5/16" X 3/4" 18F Unc2A Rt	2			66	6020130112-5	Grease Fitting 1/8"	2		
27	6020010922-0	Nylon Belt Pmc 594 - 132 X 32 Mm	1			67	6020311002-5	Hexagonal Head Bolt 1/4" X 3/4" 20F Unc1A Gr2 Rt	2		
28	6020010434-2	Pressure Washer Inox 5/16" Media	2			68	5024010161-8	Smooth Washer Ø7 X Ø18 X 2,00Mm	2		
29	6020310767-9	Brass Hexagonal Nut 5/16" 18F Unc Ch.1/2" H.6,50Mm	2			69	6020050420-0	Seed Distributor Box	1		
30	6020310119-0	Bolt 3/16" X 1/2" 24F Unc1A Gr5 Rt	9			70	6020010402-4	Pressure Washer 1/4" Media Industry	2		
31	6020010400-8	Pressure Washer 3/16" Media Industry	9			71	6020310742-3	Hexagonal Nut 1/4" 20F Unc Gr5 Ch.7/16" Height 5,50Mm	2		
32	6020310740-7	Hexagonal Nut 3/16" 24F Unc Gr5 Ch.3/8" Height 4,50Mm	9			72	6020350771-5	Rotor Of Seed Distributor Hopper	1		
33	5232010825-0	Hexagonal Shaft 1/2" - Pasture Seed Hopper	1			73	6020030082-6	Rotor Bushing	1		
34	5092010120-5	Pasture Seed Hopper	1			74	5092010507-3	Complete Pasture Seed Hopper Sla-3000 5 Rows		1	
35	6020311034-3	Hexagonal Head Bolt 3/8" X 1.3/4" 16F Unc1A Gr2 Rp	3			74	5092010509-0	Complete Pasture Seed Hopper Sla-3000 7 Rows			1
36	5526010029-6	Separator Of Large Hub	1								
37	5204060009-4	Large Left Hub	1								
38	6020311040-8	Hexagonal Head Bolt 7/16" X 2" 14F Unc1A Gr5 Rp	1								
39	6020010408-3	Pressure Washer 7/16" Media Industry	1								

• Complete Lubrication System



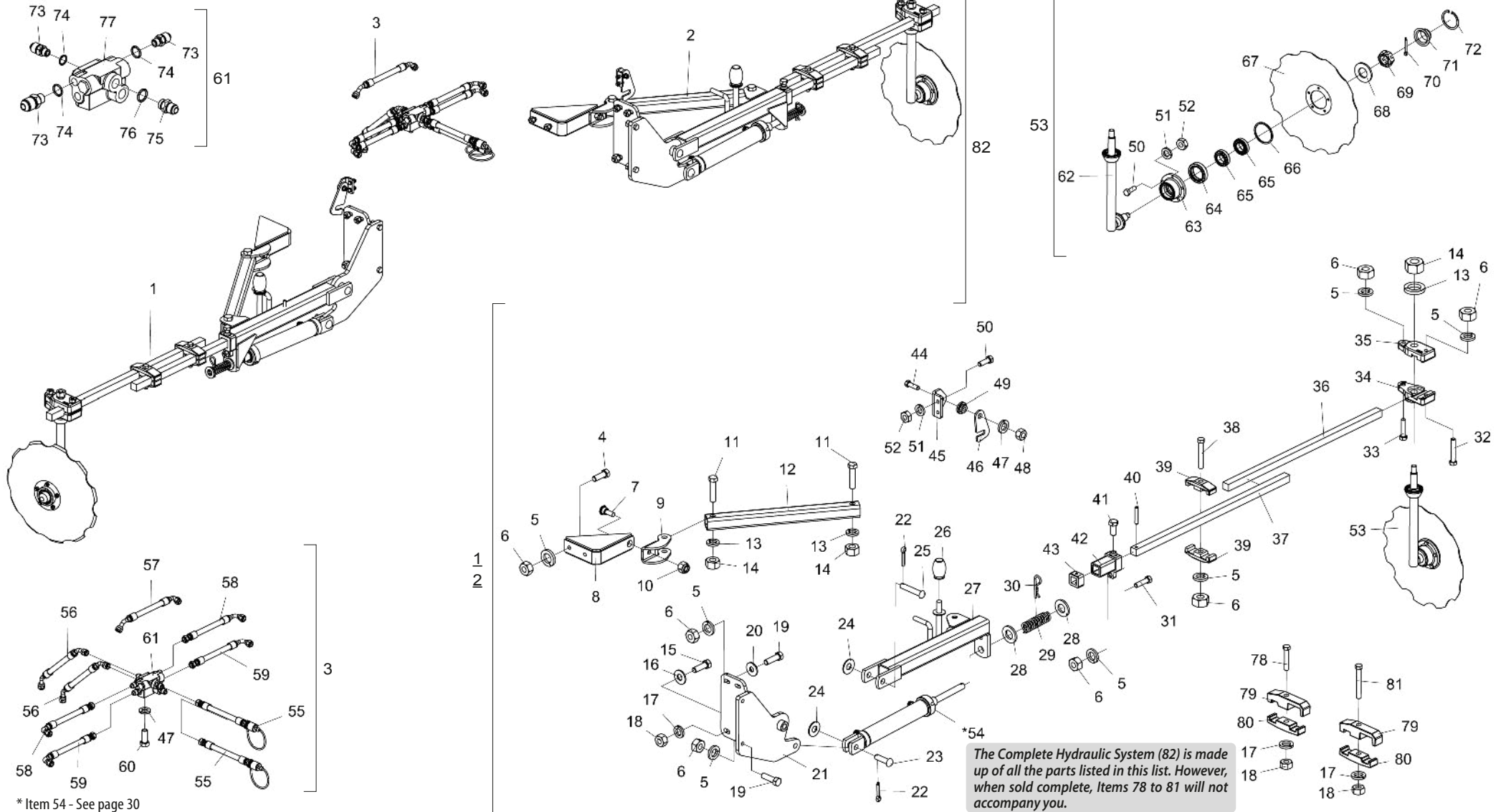
Item	Code	Product description	All		
			SLA 2500/3000 Central Metal Box Without Finishing	SLA-3000 Central Metal Box With Finishing	SLA-3000 Plastic Box With Finishing
1	5528010307-0	Left Lubrication System Sla-2500/3000 Metallic Box ((Without Finishing)	1	1	
1	5528010313-5	Left Lubrication System Sla-3000 Plastic Box (W/Finishing)			1
2	5528010306-2	Right Lubrication System Sla-2500/3000 Metallic Box ((Without Finishing)	1	1	
2	5528010312-7	Right Lubrication System Sla-3000 Plastic Box (W/Finishing)			1
3	5528010221-0	Central Lubrication System Sla 3000 Plastic Box			1
4	6020310054-2	Hexagonal Head Bolt 3/8" X 1" 16F Unc1A Gr2 Rt	4	4	6
5	6020010406-7	Pressure Washer 3/8" Media Industry	4	4	6
6	6020310746-6	Hexagonal Nut 3/8" 16F Unc Gr5 Ch.9/16" Height 8,50Mm	4	4	6
7	5136010759-4	Plate Of Lubrification Support	2	2	1
7	5136060428-8	Plate Of Lubrification Support			2
8	6020130108-7	Grease Fitting 1/8"	8	8	30
9	5152010039-7	Connection De Latao M-12 (Special).	8	8	30
10	5014010001-0	Washer - D 6-L/Ms.	16	16	60
11	5456010084-4	Hexagonal Nut 9/16" M12 X 1,5 X 15Mm L/Ms	16	16	60
12	5372010061-0	Hose Ø6" X 700Mm	4	4	5
12	5372010109-9	Hose Ø6" X 800Mm	2		
12	5372010059-9	Hose Ø6" X 500Mm	1	1	4
12	5372010128-5	Hose Of Ø6" X 900Mm	1	1	4
12	5372010318-0	Rose Ø6 X 850Mm			1
12	5372010320-2	Hose Ø6 X 550mm			1
12	5372010321-0	Hose Ø6 X 450mm			2
12	5372010058-0	Hose Ø6" X 400Mm			2
12	5372010124-2	Hose Ø6" X 200Mm			2
12	5372010130-7	Hose Ø6" X 1100Mm			5
12	5372010323-7	Hose Ø6 X 300mm			1
12	5372010060-2	Hose Ø6" X 600Mm			1
13	6020050002-7	Steel Connection "Uma" 6 X 1/8" Bsp	8	8	12
14	6020050004-3	Steel Connection "Jma" 6X1/8" Bsp			18
15	5528010305-4	Central Lubrication System Sla-2500/3000 Metallic Box ((Without Finishing)	1		
15	5528010308-9	Central Lubrication System Sla-3000 Metallic Box (W/Finishing)		1	
15	5528010311-9	Complete Lubrication System Sla-3000 Plastic Box (W/Finishing)			1

• Hydraulic System Without Row Marker



Item	Code	Product description	All	SLA 2500	SLA 3000
1	5412010191-1	Double Welded Nipple	1		
2	6020310064-0	Hexagonal Head Bolt M10 X 1,25 X 25Mm Cl.8.8 Rt	2		
3	6020010394-0	Pressure Washer M10 Media	2		
4	6020310822-5	Hexagonal Nut M10 X 1,50 Ma Cl8 Ch.17Mm H.8,00Mm	2		
5	5372011092-6	Hose Ø3/8" X 3000Mm With 1Trg And 1Trf With Male Quickly Coupling	2		
6	6020250825-4	High Pressure Hydraulic Hose 3/8" X 2200Mm With 2Tcg 45° (Sae 100R2 At - P.T.4800Psi)		1	
6	6020250826-2	High Pressure Hydraulic Hose 3/8" X 3200Mm With 2Tcg 45° (Sae 100R2 At - P.T.4800Psi)			1
7	6020250814-9	High Pressure Hydraulic Hose 3/8" X 2000Mm With 2Tcg 45° (Sae 100R2 At - P.T.4800Psi)		1	2
8	6020250815-7	High Pressure Hydraulic Hose 3/8" X 1800Mm With 2Tcg 45° (Sae 100R2 At - P.T.4800Psi)		1	
9	5528010378-0	Hydraulic System Sla-2500 Without Row Marker		1	
9	5528010376-3	Hydraulic System Sla-3000 Without Row Marker			1

• Hydraulic System Without Row Marker

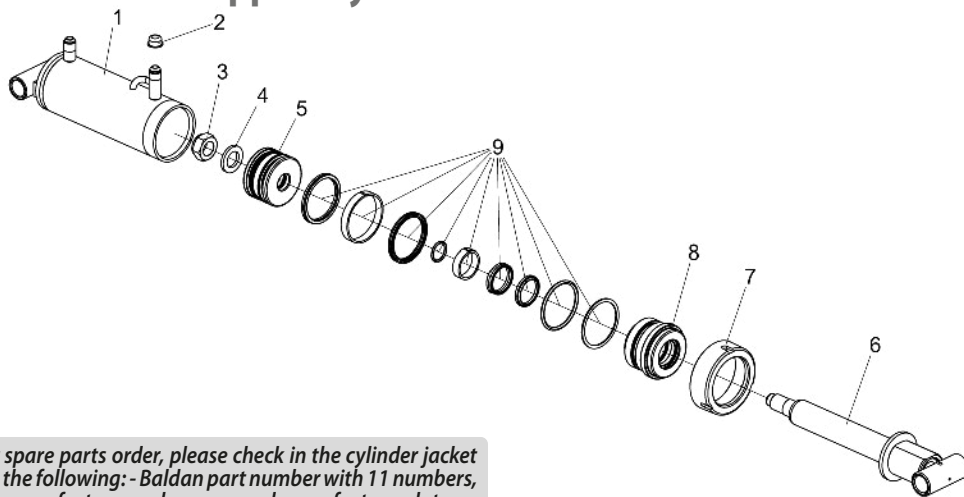


* Item 54 - See page 30

• Table Hydraulic System Without Row Marker

Item	Code	Product description	All	SLA 2500	SLA 3000	Item	Code	Product description	All	SLA 2500	SLA 3000
1	5386010147-1	Row Marker	1			44	6020310026-7	Hexagonal Head Bolt 3/8" X 1.1/4" 16F Unc1A Gr5 Rt	2		
2	5386010148-0	Row Marker	1			45	5136010756-0	Plate "L" Of Lock Marker	2		
3	5528010377-1	Hydraulic System Sla-2500 W/Row Marker		1		46	5558010046-4	Fixation Lock Of Marker	2		
3	5528010375-5	Hydraulic System Sla-3000 W/Row Marker			1	47	6020010406-7	Pressure Washer 3/8" Media Industry	4		
4	6020312001-2	Hexagonal Head Bolt 1/2" X 1.1/2" 12F W Gr5 Rt	4			48	6020310746-6	Hexagonal Nut 3/8" 16F Unc Gr5 Ch.9/16" Height 8,50Mm	2		
5	6020010410-5	Pressure Washer 1/2" Media Industry	22			49	5080010264-0	Bushing Of Ø10,3 X Ø30 X 13Mm	2		
6	6020310754-7	Hexagonal Nut 1/2" 12FW Gr5 Ch.7/8" Height 12,00Mm	22			50	6020310038-0	Hexagonal Head Bolt 5/16" X 1" 18F Unc1A Gr5 Rt	14		
7	6020312002-0	Hexagonal Head Bolt 5/8" X 2" 18F Unf1A Gr5 Rt Special	2			51	6020010404-0	Pressure Washer 5/16" Media Industry	14		
8	5530010134-7	Support Of Marker	2			52	6020310744-0	Hexagonal Nut 5/16" 18F Unc Gr5 Ch.1/2" Height 6,50Mm	14		
9	5136010369-6	Guide Plate Of Lock Of Marker	2			53	5386010138-2	Row Marker	1		
10	6020310761-0	Self-Locking Nut With Nylon 5/8" 18F Unf Gr5 Ch.15/16" H.19,50Mm	2			53	5386010139-0	Row Marker	1		
11	6020311098-0	Hexagonal Head Bolt 3/4" X 3.1/2" 10F Unc1A Gr5 Rp	4			*54	6020055702-9	Hydraulic Cylinder "O.D" Ø1.1/4" X Ø2" X 246Mm(Course) X 499Mm(Closed)	2		
12	5552010143-7	Tube Sq.50 X 580mm	2			55	5372011092-6	Hose Ø3/8" X 3000Mm With 1Trg And 1Trf With Male Quickly Coupling	2		
13	6020010414-8	Pressure Washer 3/4" Media Industry	6			56	6020250815-7	High Pressure Hydraulic Hose 3/8" X 1800Mm With 2Tcg 45° (Sae 100R2 At - P.T.4800Psi)	1		
14	6020310770-9	Hexagonal Nut 3/4" 10F Unc Gr5 Ch.1.7/32" Height 18,50Mm	6			56	6020250814-9	High Pressure Hydraulic Hose 3/8" X 2000Mm With 2Tcg 45° (Sae 100R2 At - P.T.4800Psi)	1	2	
15	6020310180-8	Hexagonal Head Bolt 5/8" X 2" 11F Unc1A Gr5 Rp	2			57	6020250825-4	High Pressure Hydraulic Hose 3/8" X 2200Mm With 2Tcg 45° (Sae 100R2 At - P.T.4800Psi)	1		
16	5024010239-8	Smooth Washer Ø16,5 X Ø37 X 3,00Mm	2			57	6020250826-2	High Pressure Hydraulic Hose 3/8" X 3200Mm With 2Tcg 45° (Sae 100R2 At - P.T.4800Psi)			1
17	6020010412-1	Pressure Washer 5/8" Media Industry	6			58	6020250796-7	High Pressure Hydraulic Hose 3/8" X 2000Mm With 1Tcg And 1Trg (Sae 100R2 At -	2		
18	6020310760-1	Hexagonal Nut 5/8" 11F Unc Gr5 Ch.1.1/16" Height 15,00Mm	6			58	6020250783-5	High Pressure Hydraulic Hose 3/8" X 2650Mm With 1Tcg And 1Trg (Sae 100R2 At -			2
19	6020317427-9	Hexagonal Head Bolt 1/2" X 1.3/4" 12FW Gr5 Rt	8			59	6020250936-6	High Pressure Hydraulic Hose 3/8" X 1800Mm With 1Tcg And 1Trg (Sae 100R2 At -	2		
20	5024010068-9	Smooth Washer Ø13,3 X Ø35,5 X 3,00Mm	4			59	6020250962-5	High Pressure Hydraulic Hose 3/8" X 2900Mm With 1Tcg And 1Trg (Sae 100R2 At -			2
21	5530310025-2	Right Support Of Row Marker	1			60	6020310021-6	Hexagonal Head Bolt 3/8" X 1" 16F Unc1A Gr5 Rt	2		
21	5530310026-0	Left Support Of Row Marker	1			61	5224010104-1	Complete Oil Distributor With 8 Nipples	1		
22	6020050104-0	Cotterpin 3/16" X 1"	4			62	5386010142-0	Row Marker	1		
23	6020310597-8	Pin Ø3/4" X 62mm	2			62	5386010141-2	Row Marker	1		
24	5024010142-1	Smooth Washer Ø20,3 X Ø46,5 X 3,00Mm	4			63	5204010247-7	Disc Hub	2		
25	6020310589-7	Pin Ø3/4" X 95mm	2			64	6020350268-3	Retainer Ø36,00 X Ø52,00 X 11,00Mm	2		
26	6020030170-9	Absorver Shock	2			65	6020350077-0	Bearing 44610/49	4		
27	5530010632-2	Right Support Of Marker Sla-P	1			66	6020010130-0	Gascket Ring 050 X 057 X 2Mm	2		
27	5530010631-4	Left Support Of Row Marker Sla-P	1			67	2759366580-7	Concave Notched Disc Blade 16 X 3,50 Hc Rd 74Mm + 5H Rd 8,7Mm R=48Mm Single Bevel	2		
28	5024010001-8	Smooth Washer Ø23,5 X Ø44,5 X 4,75Mm	4			68	5024010258-4	Smooth Washer Ø20 X Ø38,5 X 3,00Mm	2		
29	6020250242-6	Helical Spring Ø23,5 X Ø31,5 X 100Mm Internal	2			69	6020310797-0	Nut 3/4" 16F Unf Gr5 Ch.1.1/16" Height 13,00Mm	2		
30	6020390308-4	Lock Nma - Type "R" Ø4,5 X 80Mm	2			70	6020050101-5	Cotterpin 1/8" X 1"	2		
31	6020310049-6	Hexagonal Head Bolt 1/2" X 2" 12FW Gr5 Rp	2			71	6020050649-1	Hub Cap (External Diameter 57,00Mm)	2		
32	6020311057-2	Hexagonal Head Bolt 1/2" X 3" 12FW Gr5 Rp	2			72	6020011025-3	Retaining Ring I-058	2		
33	6020312060-8	Hexagonal Head Bolt 1/2" X 2.1/4" 12FW Gr5 Rp	2			73	5412010008-7	Nipple R.3/4" Unf X R.9/16" Unf X 40Mm With Hexagonal 3/4"	6		
34	6010601392-9	Upper Rosette Of Row Marker	2			74	6020010025-8	O' Ring 6-091 N3006-90Nbr(Ø12,00 X 2,00Mm)	6		
35	6010601393-7	Lower Rosette Of Row Marker	2			75	5412010035-4	Nipple R.3/4" Unf X R.3/4" Unf X 38Mm With Hexagonal 7/8"	2		
36	5040080019-4	Square Bar De 1.1/8" X 830Mm	2			76	6020010022-3	O' Ring 2-114 N3006-90Nbr (15,54)	2		
37	5040080028-3	Square Bar De 1.1/8" X 830Mm With Hole	2			77	6020430196-7	Valve Block	1		
38	6020311061-0	Hexagonal Head Bolt 1/2" X 3.1/2" 12FW Gr5 Rp	4			78	6020311079-3	Hexagonal Head Bolt 5/8" X 3.1/2" 11F Unc1A Gr5 Rp	2		
39	6010601249-3	Lock Bar	8			79	6010601417-8	Lock Of Row Marker Bar	4		
40	6020310510-2	Heavy Elastic Pin Ø10 X 55Mm	2			80	6010601399-6	Lock Of Row Marker Bar	4		
41	6020312082-9	Hexagonal Head Bolt 5/8" X 1.1/2" 11F Unc1A Gr5 Rt	2			81	6020311081-5	Hexagonal Head Bolt 5/8" X 5" 11F Unc1A Gr5 Rp	2		
42	5324050013-9	Guide Of Bar	2			82	5528010291-0	Hydraulic System W/Baliza Sla-2500 Complete		1	
43	5324020018-6	Lower Bar Guide	2			82	5528010293-7	Hydraulic System W/Baliza Sla-3000 Complete			1

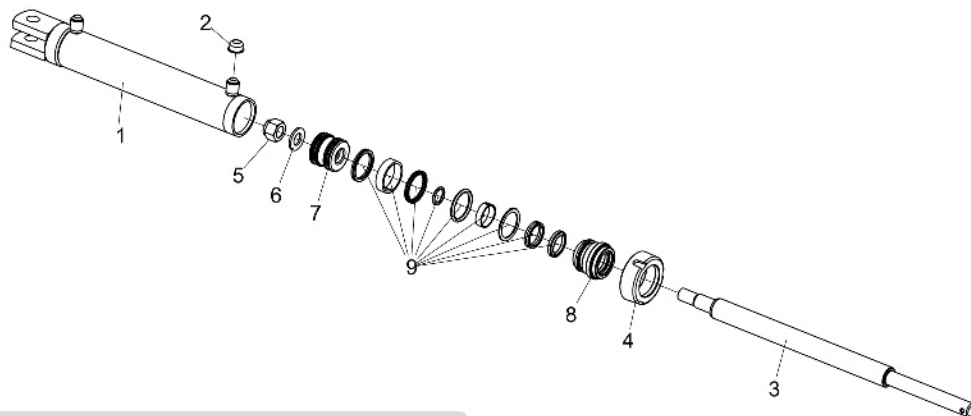
• Transmission Support Cylinder



For spare parts order, please check in the cylinder jacket (1), the following: - Baldan part number with 11 numbers, the manufacturer code, name and manufacturer date.

Item	Code	Product description	All	Right	Left
1	5144010632-7	Jacket Ø82,55 (3.1/4") X 281,4mm		1	
1	5144010630-0	Jacket Ø92.15 (3.5/8") X 281.4mm			1
2	6020390042-5	Plastic Cover Bt-21	2		
3	6020310814-4	Self-Locking Nut With Nylon 1" 14F Uns Gr5 Ch.1.1/2" H.20,00Mm	1		
4	5024010323-8	Smooth Washer Ø27 X Ø44,5 X 4,75Mm	1		
5	5236010012-0	Piston Plung 026,72 X 081,95 X 50MM		1	
5	5236010033-2	Piston Plung 026,72 X 091,78 X 50MM			1
6	5326011545-2	Piston Rod Ø41,27 (1.5/8") X 309mm	1		
7	5456050003-6	Piston Nut Ø3.3/4" - 12fpp		1	
7	5456010092-5	Nut Ø4.1/8" - 12Fpp - Un			1
8	5152010014-1	Piston Coupling Ø41,10 X Ø90,5 X 66MM		1	
8	5152010043-5	Piston Coupling Ø41,70 X Ø91,93 X 66MM			1
9	6020190066-5	Repair Kit For Hydraulic Cylinders "D.A" 1.5/8" X 3.1/4"		1	
9	6020190060-6	Repair Kit For Hydraulic Cylinders "D.A" 1.5/8" X 3.5/8"			1

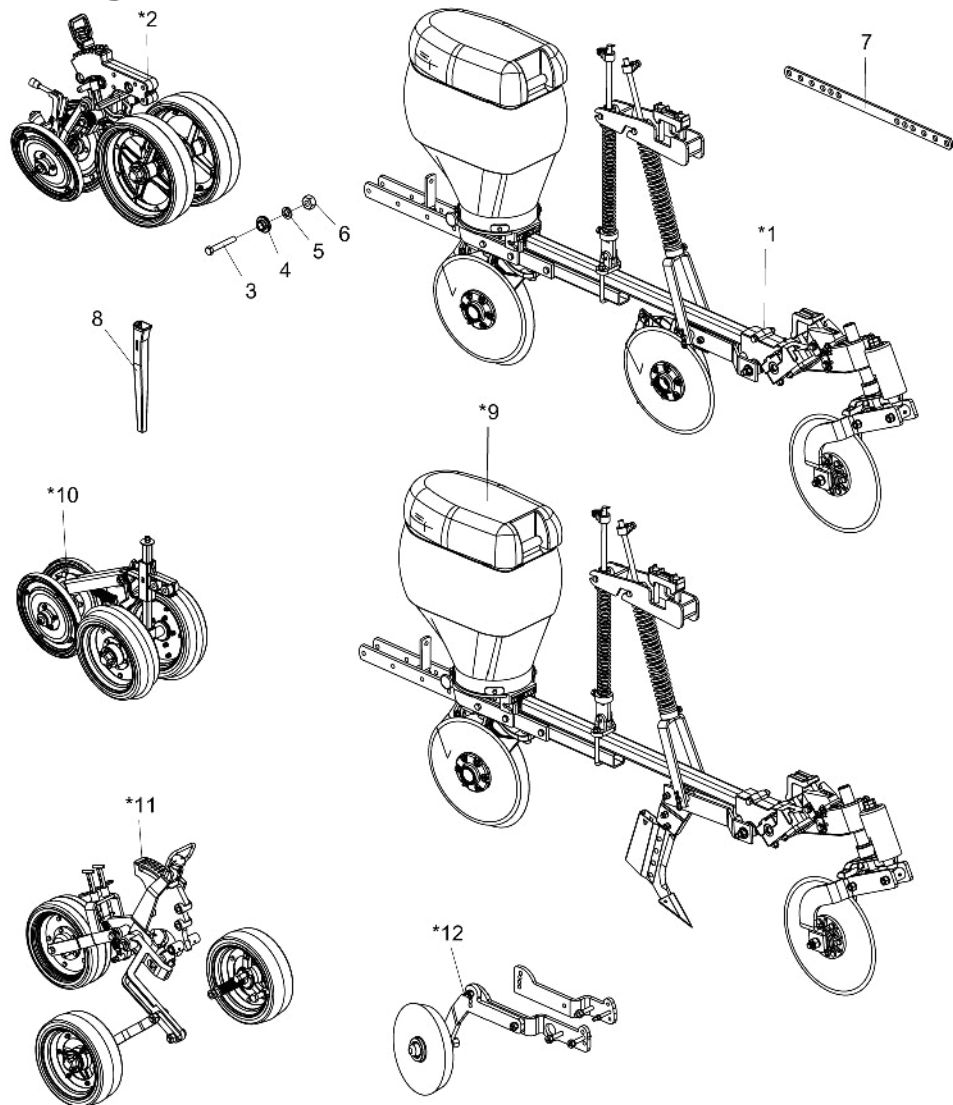
• Row Marker Cylinder



For spare parts order, please check in the cylinder jacket (1), the following: - Baldan part number with 11 numbers, the manufacturer code, name and manufacturer date.

Item	Code	Product description	All
1	5144040335-6	Jacket Ø50,80 (Ø2") X 399Mm	1
2	6020390042-5	Plastic Cover Bt-21	2
3	5326020261-4	Piston Rod Ø31,75(1.1/4") X 546mm	1
4	5456050019-2	Nut Fron Piston	1
5	6020310802-0	Self-Locking Nut With Nylon 3/4" 16F Unf Gr5 Ch.1.1/8" H.22,50Mm	1
6	5024010336-0	Smooth Washer Ø19,5 X Ø35,5 X 3,00Mm	1
7	5236010017-0	Piston Plung 2"	1
8	5152010024-9	Piston Coupling 2"	1
9	6020190064-9	Repair Kit For Hydraulic Cylinders "D.A" 1.1/4" X 2"	2

• Planting Rows



Item	Code	Product description	All
*1	2517011374-0	Left Large Row Unit W/Cutting Disc W/Double Disc Of Fertilizer For Wheel	1
*1	2517011315-5	Right Small Row Unit W/Cutting Disc W/Double Disc Of Fertilizer For Wheel	1
*1	2517011304-0	Left Small Row Unit W/Cutting Disc W/Double Disc Of Fertilizer For Wheel	1
*2	5124010699-3	Cart With Depth Wheel Excentriw/Oscilating Wheel Type "V"(Regulagem Manual) Paralela	1
3	6020311061-0	Hexagonal Head Bolt 1/2" X 3.1/2" 12F W Gr5 Rp	1
4	5080020484-1	Bushing Of Ø13,1 X Ø31,5 X 12,5Mm	1
5	6020010410-5	Pressure Washer 1/2" Media Industry	1
6	6020310754-7	Hexagonal Nut 1/2" 12F W Gr5 Ch.7/8" Height 12,00Mm	1
7	5558010318-8	Small Lock Of Cart	1
7	5558070050-0	Large Lock Of Cart	1
8	6020030123-7	Square Funnel 385Mm	1
Optional			
*9	2517011373-2	Left Large Row Unit W/Cutting Disc W/Small Furrower Of Fertilizer For Wheel	1
*9	2517011314-7	Right Small Row Unit W/Cutting Disc W/Large Furrower Of Fertilizer For Wheel	1
*9	2517011303-1	Left Small Row Unit W/Cutting Disc W/Large Furrower Of Fertilizer For Wheel	1
*10	5124010050-2	Row Of Depth Wheel And Wheel Type "V" (Excentric)	1
*11	5124010401-0	Cart With Depth Wheel Oscilating And Concave Wheel	1
*11	5124010402-8	Cart With Depth Wheel Oscilating And Concave Wheel (Small Row)	1
*12	5498010118-8	Complete Right Compaction Wheel For Double Disc And Furrower	1
*12	5498010119-6	Complete Left Compaction Wheel For Double Disc And Furrower	1

* Item 1 - See page 32

* Item 2 - See page 40

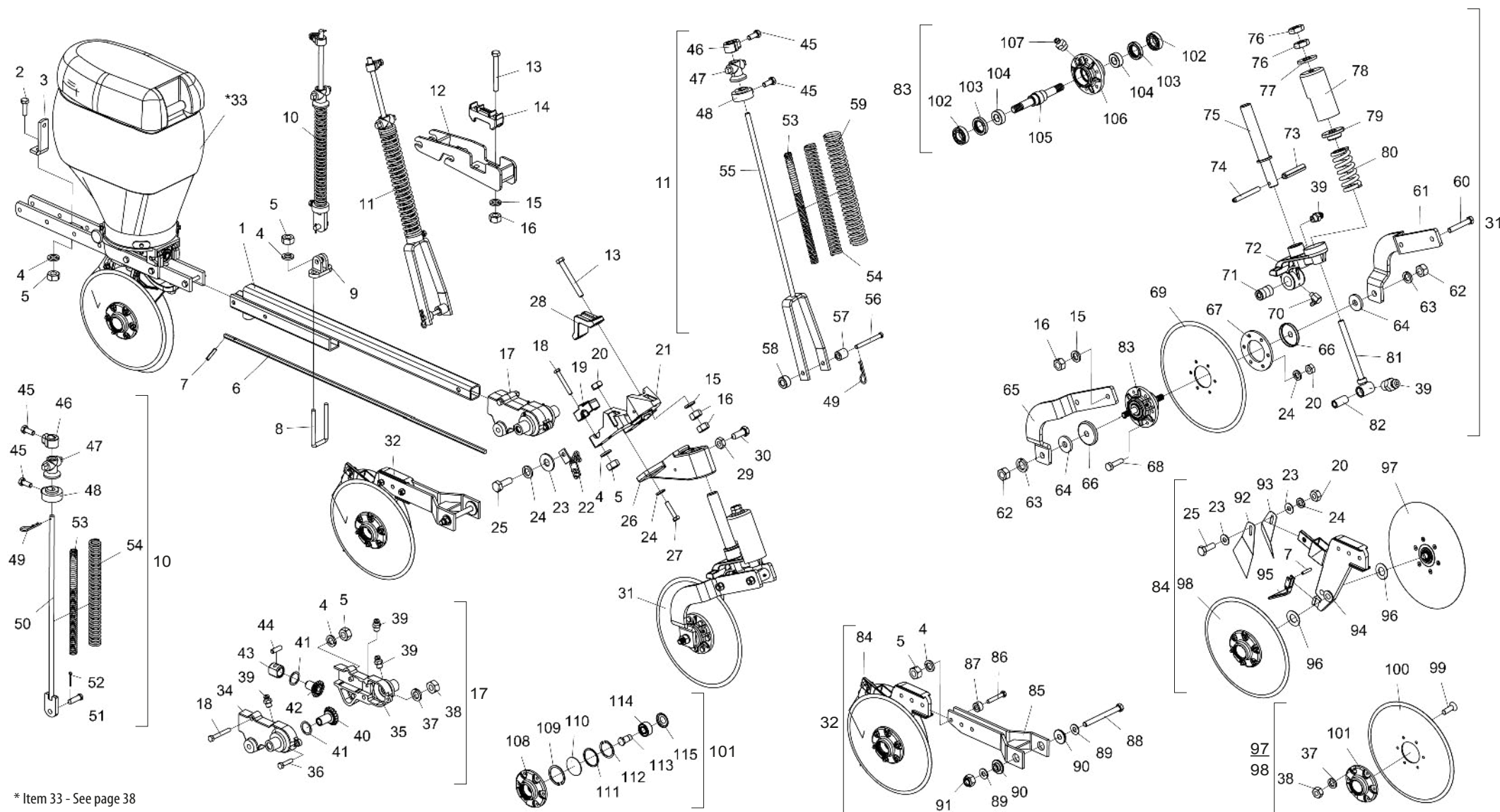
* Item 9 - See page 35

* Item 10 - See page 42

* Item 11 - See page 43

* Item 12 - See page 45

• Row W/Fertilizer Cutting Disc for Eccentric/Oscilant Wheel and Wheel Type "V"



* Item 33 - See page 38

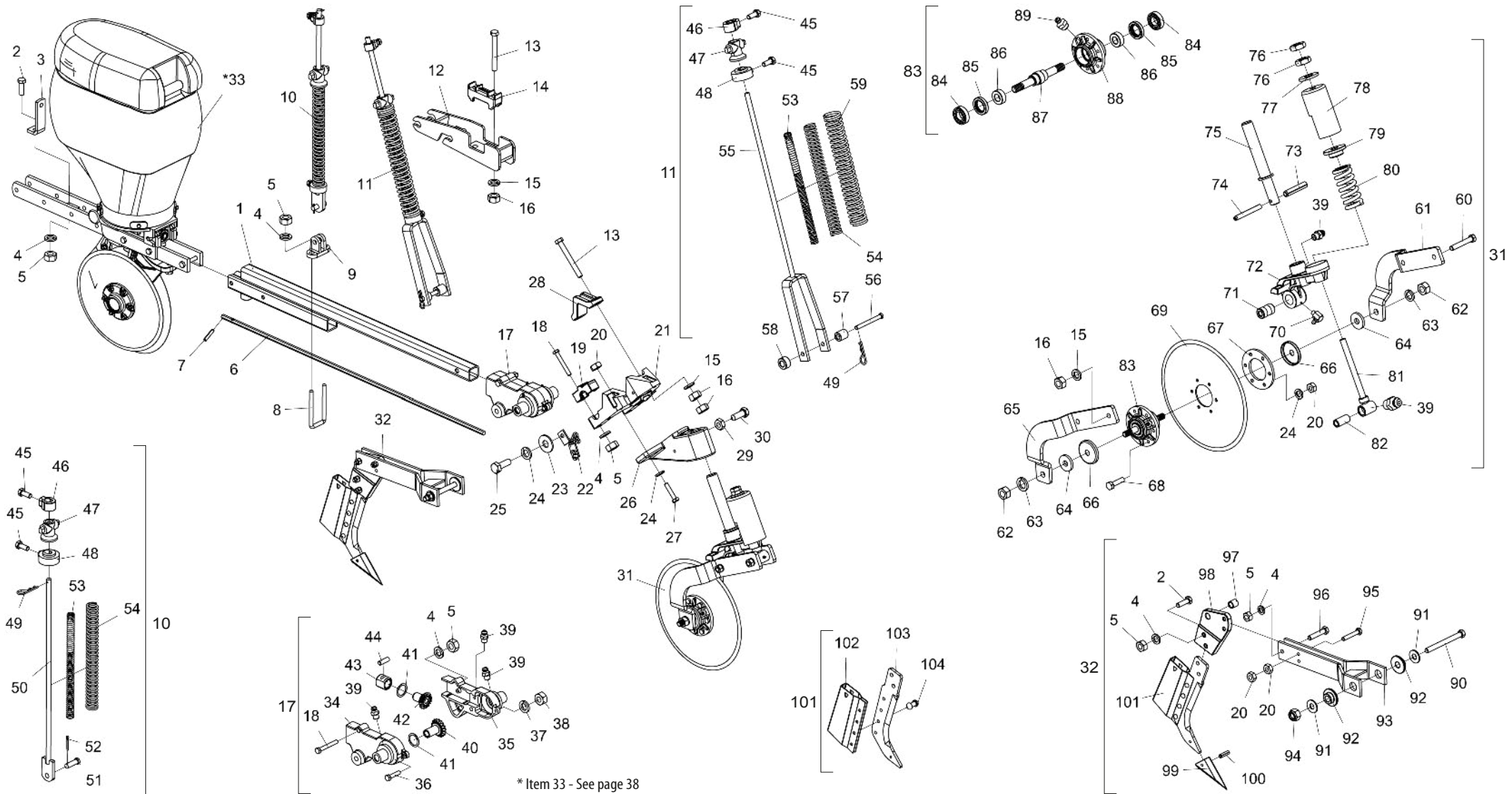
• Table Row W/Fertilizer Cutting Disc for Eccentric/Oscilant Wheel and Wheel Type "V"

Item	Code	Product description	All	Large Left	Small Right	Small Left	Item	Code	Product description	All	Large Left	Small Right	Small Left
1	5572011719-2	Complete Beam Of Large Row		1			30	6020311069-6	Hexagonal Head Bolt 5/8" X 1.3/4" 11F Unc1A Gr5 Rt Wth Point	2			
1	5572011721-4	Complete Beam Of Small Row			1	1	31	5124010258-0	Complete Coulter Disc Row	1			
2	6020310152-2	Hexagonal Head Bolt M12 X 1,75 X 40Mm Cl8.8 Rp	1				32	5124010156-8	Complete Right Row Of Double Disc Fertilizer		1		1
3	5526010020-2	Rows Spacer	1				32	5124010155-0	Complete Left Row Of Fertilizer Double Disc			1	
4	6020010395-8	Pressure Washer M12 Media	11				*33	5124010460-5	Left Distributor Seed Row Sla-Precision (Universal System Baldan)		1		1
5	6020310820-9	Hexagonal Nut M12 X 1,75 Ma Cl8 Ch.19Mm H.10,00Mm	11				*33	5124010459-1	Right Distributor Cart Of Seed Sla-Precision (Universal System Baldan)			1	
6	5232010377-0	Hexagonal Shaft 1/2" X 1240Mm		1			34	5092110013-0	Gear Right Box	1			
6	5232010378-9	Hexagonal Shaft 1/2" X 1080Mm			1	1	35	5092110014-8	Gear Left Box	1			
7	6020310502-1	Heavy Elastic Pin Ø5 X 24Mm	2				36	6020310560-9	Hexagonal Head Bolt M8 X 1,25 X 35Mm Cl8.8 Rt	1			
8	5068010155-5	Clamp	1				37	6020010004-5	Pressure Washer M8 Media	13			
9	6010601172-1	Lower Support Of Rod (Small)	1				38	6020310454-8	Hexagonal Nut M8 X 1,25 Ma Cl8 Ch.13Mm H.6,50Mm	13			
10	5566010048-1	Complete Spring Rod	1				39	6020130100-1	Grease Fitting 1/4"	5			
11	5566010049-0	Complete Spring Rod	1				40	5428010044-0	Pinion Of 18 Teeth With Bronze Bushing Ø28,4Mm	1			
12	5530011500-3	Hitch Support Of Rod	1				41	5024010243-6	Smooth Washer Ø30 X Ø39 X 0,91Mm	2			
13	6020310164-6	Hexagonal Head Bolt M16 X 2,00 X 140Mm Cl8.8 Rp		4	2	2	42	5428010041-5	Pinion Of 16 Teeth With Bronze Bushing Ø28,4Mm	1			
14	6010601783-5	Clamp 70Mm	1				43	5080080013-4	Bushing Of Gear Box	1			
15	6020010124-6	Pressure Washer M16 Media	6				44	5432090296-0	Flat Pin Ø3/8" X 30Mm	1			
16	6020310818-7	Hexagonal Nut M16 X 2,00 Ma Cl8 Ch.24Mm H.13,00Mm	8				45	6020310211-1	Hexagonal Head Bolt M12 X 1,75 X 30Mm Cl8.8 Rt	4			
17	5092010044-6	Gear Box(Speed Box)	1				46	5080011663-2	Fixation Support Of Spring Rod	2			
18	6020317495-3	Hexagonal Head Bolt M12 X 1,75 X 90Mm Cl8.8 Rp	6				47	6010601280-9	Upper Lock Of Triple Spring	2			
19	6010600369-9	Bearing Of Gear Box	2				48	5530016364-4	Lower Support Of Triple Spring	2			
20	6020310822-5	Hexagonal Nut M10 X 1,50 Ma Cl8 Ch.17Mm H.8,00Mm	10				49	6020390294-0	Lock Nma - Type "R" Ø3,5 X 67Mm(Special)	2			
21	5530012259-0	Support Of Gear Box Sla	1				50	5566020046-0	Rod Spring	1			
22	5192010043-4	Complete Chain De Ø5,5Mm 235Mm Cpl		1	1	2	51	6020310593-5	Pin Ø5/8" X 46mm	1			
23	5024010075-1	Smooth Washer Ø10,3 X Ø25 X 2,00Mm		4	6	6	52	6020050101-5	Cotterpin 1/8" X 1"	1			
24	6020010394-0	Pressure Washer M10 Media	12				53	6020250297-3	Helical Spring Ø17,5 X Ø25,5 X 400Mm Internal	2			
25	6020317475-9	Hexagonal Head Bolt M10 X 1,50 X 30Mm Cl8.8 Rt		2			54	6020250298-1	Helical Spring Ø30,5 X Ø41,5 X 400Mm	2			
25	6020317476-7	Hexagonal Head Bolt M16 X 2,00 X 130Mm Cl8.8 Rp			2	2	55	5566010050-3	Rod Spring	1			
26	5530012258-1	Small Support Of Coulter Disc Sla		1			56	6020311276-1	Cylinder Head Pin Ø1/2" X 126Mm	1			
26	5530012257-3	Large Support Of Coulter Disc Sla			1	1	57	5080020776-0	Bushing Of Ø16,67 X Ø1.1/4" X 35Mm	1			
27	6020310313-4	Hexagonal Head Bolt M10 X 1,50 X 50Mm Cl8.8 Rp	3				58	5080020777-8	Bushing Of Ø16,67 X Ø1.1/4" X 17Mm	1			
28	6010601347-3	Fixation Shank Of Coulter Disc	1				59	6020250299-0	Helical Spring Ø45,5 X Ø59,5 X 400Mm External	1			
29	6020310738-5	Hexagonal Nut 5/8" 11F Unc Gr5 Ch.1.1/16" Height 11,00Mm	2				60	6020310150-6	Hexagonal Head Bolt M16 X 2,00 X 100Mm Cl8.8 Rp	2			

• Table Row W/Fertilizer Cutting Disc for Eccentric/Oscilant Wheel and Wheel Type "V"

Item	Code	Product description	All	Large Left	Small Right	Small Left	Item	Code	Product description	All	Large Left	Small Right	Small Left
61	5072010054-9	Left Arm Of Coulter Disc	1				93	5352030056-9	Internal Left Scraper Of Disc	1			
62	6020311265-6	Hexagonal Nut M20 X 2,50 Ma Cl8 Ch.30Mm H.16,00Mm	2				94	5112010017-7	Right Housing Of Fertilizer Double Disc		1		1
63	6020010403-2	Pressure Washer M20 Media	2				94	5112010016-9	Left Housing Of Fertilizer Double Disc			1	
64	5024010289-4	Smooth Washer Ø20 X Ø58 X 8,00Mm	2				95	5352030052-6	Lower Scraper Of Fertilizer Disc	1			
65	5072010053-0	Right Arm Coulter Disc	1				96	5024010024-7	Smooth Washer Ø20 X Ø38 X 1,21Mm	6			
66	5096010028-7	Hub Cap	2				97	5204010459-3	Complete Left Hub (Plain Disc 15" X 4,00Mm)	1			
67	5284010001-4	Flange Of Disc Hub	1				98	5204010458-5	Complete Right Hub (Coulter Disc Blade 15" X 4,00Mm)	1			
68	6020310980-9	Hexagonal Head Bolt M10 X 1,50 X 40Mm Cl8.8 Rt	6				99	6020317573-9	Allen Bolt M8 X 1,25 X 25mm Cl12.9 RT	12			
69	2859407388-8	Coulter Plain Disc Blade 16 X 4,50 Hc Rd 80Mm + 6H Rd 10,3Mm D=115Mm Doble Bevel	1				100	2857397276-9	Coulter Plain Disc Blade 15 X 4,00 Hc Rd 80Mm + 6H Rd 8,7Mm D=115Mm Single Bevel	2			
70	6020130106-0	Grease Fitting 1/4"	1				101	5204010451-8	Right Disc Hub	1			
71	5080020762-0	Bushing Of Ø16 X Ø36,1 X 55Mm	1				101	5204010452-6	Left Disc Hub	1			
72	5530010422-2	Support Of Coulter Disc	1				102	6020350007-9	Bearing 6206(Skf-Nsk-Timken)	2			
73	6020310466-1	Heavy Elastic Pin Ø10 X 50Mm	1				103	6020350201-2	Retainer Ø40,00 X Ø62,00 X 12,00Mm	2			
74	6020311231-1	Heavy Elastic Pin Ø6 X 50Mm	1				104	5080020761-1	Bushing Of Ø19,1 X Ø40 X 15Mm	2			
75	5232010226-0	Shaft With Washer	1				105	5232012009-8	Eixo M20 X 186Mm	1			
76	6020310784-9	Hexagonal Nut 3/4" 10F Unc Gr5 Ch.1.1/4" Height 11,00Mm	2				106	5204010088-1	Disc Hub	1			
77	5024010007-7	Smooth Washer Ø20,3 X Ø46,5 X 4,75Mm	1				107	6020130108-7	Grease Fitting 1/8"	1			
78	6020310691-5	Spring Protection	1				108	5204010453-4	Hub Of Ø136 X 41Mm	2			
79	6010600980-8	Back Bushing	1				109	6020010289-7	Retaining Ring I-55	2			
80	6020250281-7	Helical Spring Ø43 X Ø67 X 141Mm	1				110	5096010050-3	Hub Cap	2			
81	5566010051-1	Rod Spring	1				111	6020010095-9	Gascket Ring 047X 052X 2Mm	2			
82	5080020661-5	Bushing Of Ø16,2 X Ø26,5 X 57Mm	1				112	6020011053-9	Retaining Ring I-047	2			
83	5204020099-1	Complete Hub	1				113	5420010098-3	Hexagonal Head Bolt 3/4" X 1.7/8" 16F Unf 1A Gr5 Rp - Read Right (Special)	1			
84	5124010260-2	Row Of Double Disc Fertilizer		1		1	113	5420010099-1	Hexagonal Head Bolt 3/4" X 1.7/8" 16F Unf 1A Gr5 Rp - Read Left (Special)	1			
84	5124010259-9	Left Cart Of Fertilizer Double Disc			1		114	6020350933-5	Sphere Bearing Double Row 5204Kp52-Sp6(1° Line)	2			
85	5530010621-7	Fixation Support	1				115	6020056005-4	Dual Ball Races Bearing Cap 5204Kp52-Sp6 (1°line)	2			
86	6020317411-2	Hexagonal Head Bolt M12 X 1,75 X 75Mm Cl8.8 Rt	2										
87	5080020772-7	Bushing Of Ø14,3 X Ø1.1/4" X 18,5Mm	2										
88	6020310365-7	Hexagonal Head Bolt M16 X 2,00 X 170Mm Cl8.8 Rp	1										
89	5024010239-8	Smooth Washer Ø16,5 X Ø37 X 3,00Mm	2										
90	5080010260-7	Bushing Of Ø16,5 X Ø2" X 16Mm	2										
91	6020317443-0	Self-Locking Nut With Nylon M16 X 2,00 Ma Cl8 Ch.24Mm H.16,00Mm	1										
92	5352030057-7	Internal Right Scraper Of Disc	1										

• Row W/Cutting Disc and Furrower for Eccentric/Oscilant Wheel and Wheel Type "V"



* Item 33 - See page 38

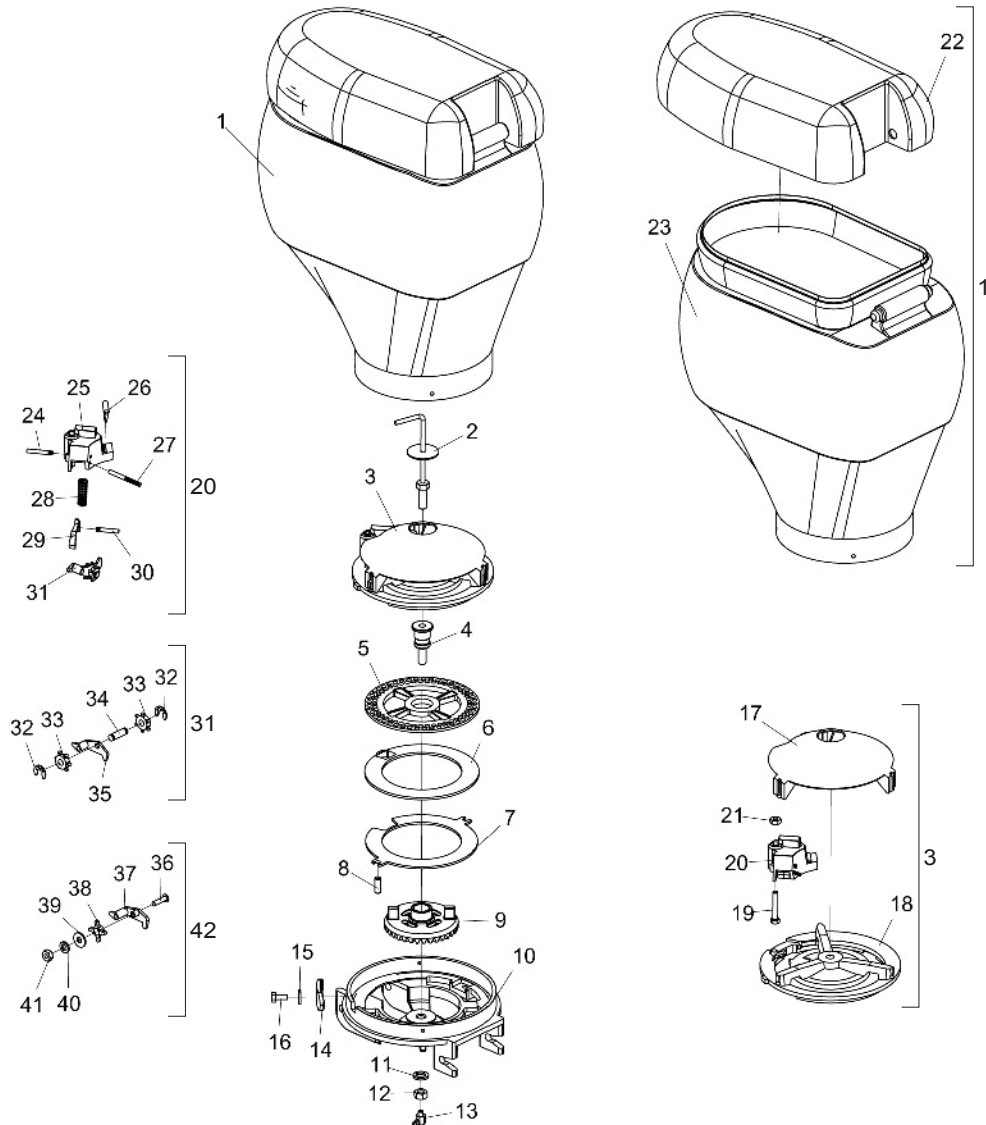
• Table Row W/Cutting Disc and Furrpwer for Eccentric/Oscilant Wheel and Wheel Type "V"

Item	Code	Product description	All	Large Left	Small Right	Small Left	Item	Code	Product description	All	Large Left	Small Right	Small Left
1	5572011719-2	Complete Beam Of Large Row		1			30	6020311069-6	Hexagonal Head Bolt 5/8" X 1.3/4" 11F Unc1A Gr5 Rt Wth Point	2			
1	5572011721-4	Complete Beam Of Small Row			1	1	31	5124010258-0	Complete Coulter Disc Row	1			
2	6020310152-2	Hexagonal Head Bolt M12 X 1,75 X 40Mm Cl8.8 Rp	3				32	5532010128-9	Complete Small Furrower		1		
3	5526010020-2	Rows Spacer	1				32	5532010131-9	Complete Large Furrower			1	1
4	6020010395-8	Pressure Washer M12 Media	12				*33	5124010460-5	Left Distributor Seed Row Sla-Precision (Universal System Baldan)		1		1
5	6020310820-9	Hexagonal Nut M12 X 1,75 Ma Cl8 Ch.19Mm H.10,00Mm	12				*33	5124010459-1	Right Distributor Cart Of Seed Sla-Precision (Universal System Baldan)			1	
6	5232010377-0	Hexagonal Shaft 1/2" X 1240Mm		1			34	5092110013-0	Gear Right Box	1			
6	5232010378-9	Hexagonal Shaft 1/2" X 1080Mm			1	1	35	5092110014-8	Gear Left Box	1			
7	6020310502-1	Heavy Elastic Pin Ø5 X 24Mm	1				36	6020310560-9	Hexagonal Head Bolt M8 X 1,25 X 35Mm Cl8.8 Rt	1			
8	5068010155-5	Clamp	1				37	6020010004-5	Pressure Washer M8 Media	1			
9	6010601172-1	Lower Support Of Rod (Small)	1				38	6020310454-8	Hexagonal Nut M8 X 1,25 Ma Cl8 Ch.13Mm H.6,50Mm	1			
10	5566010048-1	Complete Spring Rod	1				39	6020130100-1	Grease Fitting 1/4"	5			
11	5566010049-0	Complete Spring Rod	1				40	5428010044-0	Pinion Of 18 Teeth With Bronze Bushing Ø28,4Mm	1			
12	5530011500-3	Hitch Support Of Rod	1				41	5024010243-6	Smooth Washer Ø30 X Ø39 X 0,91Mm	2			
13	6020310164-6	Hexagonal Head Bolt M16 X 2,00 X 140Mm Cl8.8 Rp		4	2	2	42	5428010041-5	Pinion Of 16 Teeth With Bronze Bushing Ø28,4Mm	1			
14	6010601783-5	Clamp 70Mm	1				43	5080080013-4	Bushing Of Gear Box	1			
15	6020010124-6	Pressure Washer M16 Media	6				44	5432090296-0	Flat Pin Ø3/8" X 30Mm	1			
16	6020310818-7	Hexagonal Nut M16 X 2,00 Ma Cl8 Ch.24Mm H.13,00Mm	8				45	6020310211-1	Hexagonal Head Bolt M12 X 1,75 X 30Mm Cl8.8 Rt	4			
17	5092010044-6	Gear Box(Speed Box)	1				46	5080011663-2	Fixation Support Of Spring Rod	2			
18	6020317495-3	Hexagonal Head Bolt M12 X 1,75 X 90Mm Cl8.8 Rp	6				47	6010601280-9	Upper Lock Of Triple Spring	2			
19	6010600369-9	Bearing Of Gear Box	2				48	5530016364-4	Lower Support Of Triple Spring	2			
20	6020310822-5	Hexagonal Nut M10 X 1,50 Ma Cl8 Ch.17Mm H.8,00Mm	11				49	6020390294-0	Lock Nma - Type "R" Ø3,5 X 67Mm(Special)	2			
21	5530012259-0	Support Of Gear Box Sla	1				50	5566020046-0	Rod Spring	1			
22	5192010043-4	Complete Chain De Ø5,5Mm 235Mm Cpl		1	1	2	51	6020310593-5	Pin Ø5/8" X 46mm	1			
23	5024010075-1	Smooth Washer Ø10,3 X Ø25 X 2,00Mm		3	5	5	52	6020050101-5	Cotterpin 1/8" X 1"	1			
24	6020010394-0	Pressure Washer M10 Media	11				53	6020250297-3	Helical Spring Ø17,5 X Ø25,5 X 400Mm Internal	2			
25	6020317475-9	Hexagonal Head Bolt M10 X 1,50 X 30Mm Cl8.8 Rt		2			54	6020250298-1	Helical Spring Ø30,5 X Ø41,5 X 400Mm	2			
25	6020317476-7	Hexagonal Head Bolt M16 X 2,00 X 130Mm Cl8.8 Rp			2	2	55	5566010050-3	Rod Spring	1			
26	5530012258-1	Small Support Of Coulter Disc Sla		1			56	6020311276-1	Cylinder Head Pin Ø1/2" X 126Mm	1			
26	5530012257-3	Large Support Of Coulter Disc Sla			1	1	57	5080020776-0	Bushing Of Ø16,67 X Ø1.1/4" X 35Mm	1			
27	6020310313-4	Hexagonal Head Bolt M10 X 1,50 X 50Mm Cl8.8 Rp	3				58	5080020777-8	Bushing Of Ø16,67 X Ø1.1/4" X 17Mm	1			
28	6010601347-3	Fixation Shank Of Coulter Disc	1				59	6020250299-0	Helical Spring Ø45,5 X Ø59,5 X 400Mm External	1			
29	6020310738-5	Hexagonal Nut 5/8" 11F Unc Gr5 Ch.1.1/16" Height 11,00Mm	2				60	6020310150-6	Hexagonal Head Bolt M16 X 2,00 X 100Mm Cl8.8 Rp	2			

• Table Row W/Cutting Disc and Furrpwer for Eccentric/Oscilant Wheel and Wheel Type "V"

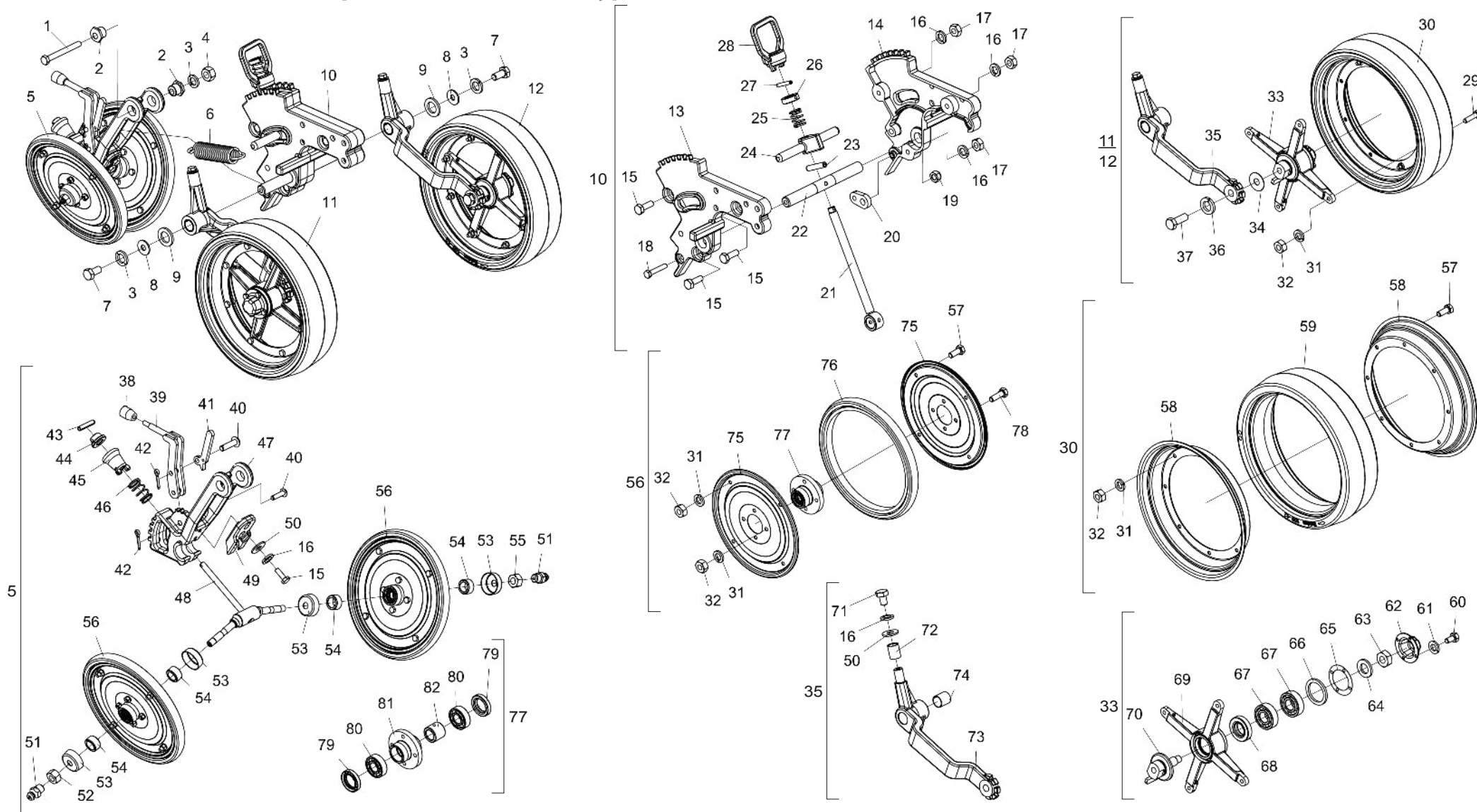
Item	Code	Product description	All	Large Left	Small Right	Small Left	Item	Code	Product description	All	Large Left	Small Right	Small Left
61	5072010054-9	Left Arm Of Coulter Disc	1				93	5530010654-3	Large Fixation Support Of Furrower			1	1
62	6020311265-6	Hexagonal Nut M20 X 2,50 Ma Cl8 Ch.30Mm H.16,00Mm	2				94	6020317443-0	Self-Locking Nut With Nylon M16 X 2,00 Ma Cl8 Ch.24Mm H.16,00Mm	1			
63	6020010403-2	Pressure Washer M20 Media	2				95	6020310151-4	Hexagonal Head Bolt M10 X 1,50 X 60Mm Cl8,8 Rt	1			
64	5024010289-4	Smooth Washer Ø20 X Ø58 X 8,00Mm	2				96	6020310210-3	Hexagonal Head Bolt M12 X 1,75 X 60Mm Cl8.8 Rt	1			
65	5072010053-0	Right Arm Coulter Disc	1				97	5080010262-3	Articulation Bushing	1			
66	5096010028-7	Hub Cap	2				98	5530010424-9	Furrower Support	1			
67	5284010001-4	Flange Of Disc Hub	1				99	6010601364-3	Furrower Point	1			
68	6020310980-9	Hexagonal Head Bolt M10 X 1,50 X 40Mm Cl8.8 Rt	6				100	6020310490-4	Heavy Elastic Pin Ø8 X 28Mm	1			
69	2859407388-8	Coulter Plain Disc Blade 16 X 4,50 Hc Rd 80Mm + 6H Rd 10,3Mm D=115Mm Doble Bevel	1				101	5532010125-4	Furrower W/Conductor Of Fertilizer	1			
70	6020130106-0	Grease Fitting 1/4"	1				102	5150010007-2	Fertilizer Conductor	1			
71	5080020762-0	Bushing Of Ø16 X Ø36,1 X 55Mm	1				103	5274010056-4	Large Knife Shank	1			
72	5530010422-2	Support Of Coulter Disc	1				104	6020350490-2	Head Socket Rivet 3/8" X 1.1/4"	4			
73	6020310466-1	Heavy Elastic Pin Ø10 X 50Mm	1										
74	6020311231-1	Heavy Elastic Pin Ø6 X 50Mm	1										
75	5232010226-0	Shaft With Washer	1										
76	6020310784-9	Hexagonal Nut 3/4" 10F Unc Gr5 Ch.1.1/4" Height 11,00Mm	2										
77	5024010007-7	Smooth Washer Ø20,3 X Ø46,5 X 4,75Mm	1										
78	6020310691-5	Spring Protection	1										
79	6010600980-8	Back Bushing	1										
80	6020250281-7	Helical Spring Ø43 X Ø67 X 141Mm	1										
81	5566010051-1	Rod Spring	1										
82	5080020661-5	Bushing Of Ø16,2 X Ø26,5 X 57Mm	1										
83	5204020099-1	Complete Hub	1										
84	6020350007-9	Bearing 6206(Skf-Nsk-Timken)	2										
85	6020350201-2	Retainer Ø40,00 X Ø62,00 X 12,00Mm	2										
86	5080020761-1	Bushing Of Ø19,1 X Ø40 X 15Mm	2										
87	5232012009-8	Eixo M20 X 186Mm	1										
88	5204010088-1	Disc Hub	1										
89	6020130108-7	Grease Fitting 1/8"	1										
90	6020310365-7	Hexagonal Head Bolt M16 X 2,00 X 170Mm Cl8.8 Rp	1										
91	5024010239-8	Smooth Washer Ø16,5 X Ø37 X 3,00Mm	2										
92	5080010260-7	Bushing Of Ø16,5 X Ø2" X 16Mm	2										
93	5530010619-5	Fixation Support Of Furrower		1									

• Seed Box 45L



Item	Code	Product description	All
1	6020055109-8	Plastic Box For Seed 45 Liters With Cover	1
2	5420110009-0	Seed Hopper Bolt	1
3	6020370157-0	Complete Upper Support Of Distriutor Disc	1
4	5232010883-7	Seed Distributor Shaft	1
5	6020071801-4	Soya Deam Distributor Disc 90H Ø8Mm (Ø35,10 X Ø189 X 4,50Mm) Rampflow (Orange)	1
6	6020015810-8	Soya Ring Mod U 4Mm Plain (Orange) (1020022)	1
7	5220010102-2	Disc Ø132 X Ø185 X 3,50Mm	1
8	5432090283-8	Flat Pin Ø5/16" X 22Mm	2
9	5164010020-0	Crown Of 33 Teeths	1
10	5044040015-6	Base Of The Seed Distributor	1
11	6020010410-5	Pressure Washer 1/2" Media Industry	1
12	6020310754-7	Hexagonal Nut 1/2" 12F W Gr5 Ch.7/8" Height 12,00Mm	1
13	6020130106-0	Grease Fitting 1/4"	1
14	5530011945-9	Seed Box Fixation Support	4
15	6020010402-4	Pressure Washer 1/4" Media Industry	4
16	6020311001-7	Hexagonal Head Bolt 1/4" X 5/8" 20F Unc1A Gr5 Rt	4
17	6020390405-6	Protection Cover Of Seed	1
18	6020370142-2	Upper Support Of Distriutor Disc	1
19	6020311025-4	Hexagonal Head Bolt 5/16" X 2" 18F Unc1A Gr2 Rp	1
20	6020050423-5	Complete Seed Distributor Box	1
21	6020310744-0	Hexagonal Nut 5/16" 18F Unc Gr5 Ch.1/2" Height 6,50Mm	1
22	6020390429-3	Cover Of Seed Plastic Hopper 45 Liters (Black)	1
23	6020055108-0	Plastic Box For Seed 45 Liters Without Cover	1
24	6020310424-6	Pin Ø5 X 34Mm	1
25	6020050404-9	Seed Distributor Box	1
26	6020310607-9	Protection	1
27	6020310423-8	Pin Ø5 X 52Mm	1
28	6020250328-7	Helical Spring Ø8 X Ø9,7 X 29,5Mm	3
29	6020130207-5	Trigger Seed Cleaner	2
30	6020310425-4	Pin Ø5 X 30Mm	1
31	6020130206-7	Trigger Cleaner	1
32	6020010246-3	Retaining Ring Rs-05	2
33	6020350784-7	Seed Batcher Rossete	2
34	6020310526-9	Plastic Pin Ø7 x 18.5 x 23.5	1
35	6020130205-9	Batcher Trigger	1
36	6020310122-0	Bolt 3/16" X 3/4" 24F Unc1A Gr5 Rt	1
37	6020130204-0	Trigger-Support Of Rossete	1
38	6020350876-2	Batcher Rossete With Hole Ø8,3Mm	1
39	5024010423-4	Smooth Washer Ø5,5 X Ø12,7 X 1,21Mm	1
40	6020010400-8	Pressure Washer 3/16" Media Industry	1
41	6020310740-7	Hexagonal Nut 3/16" 24F Unc Gr5 Ch.3/8" Height 4,50Mm	1
42	6020350116-4	Complete Rossete	1

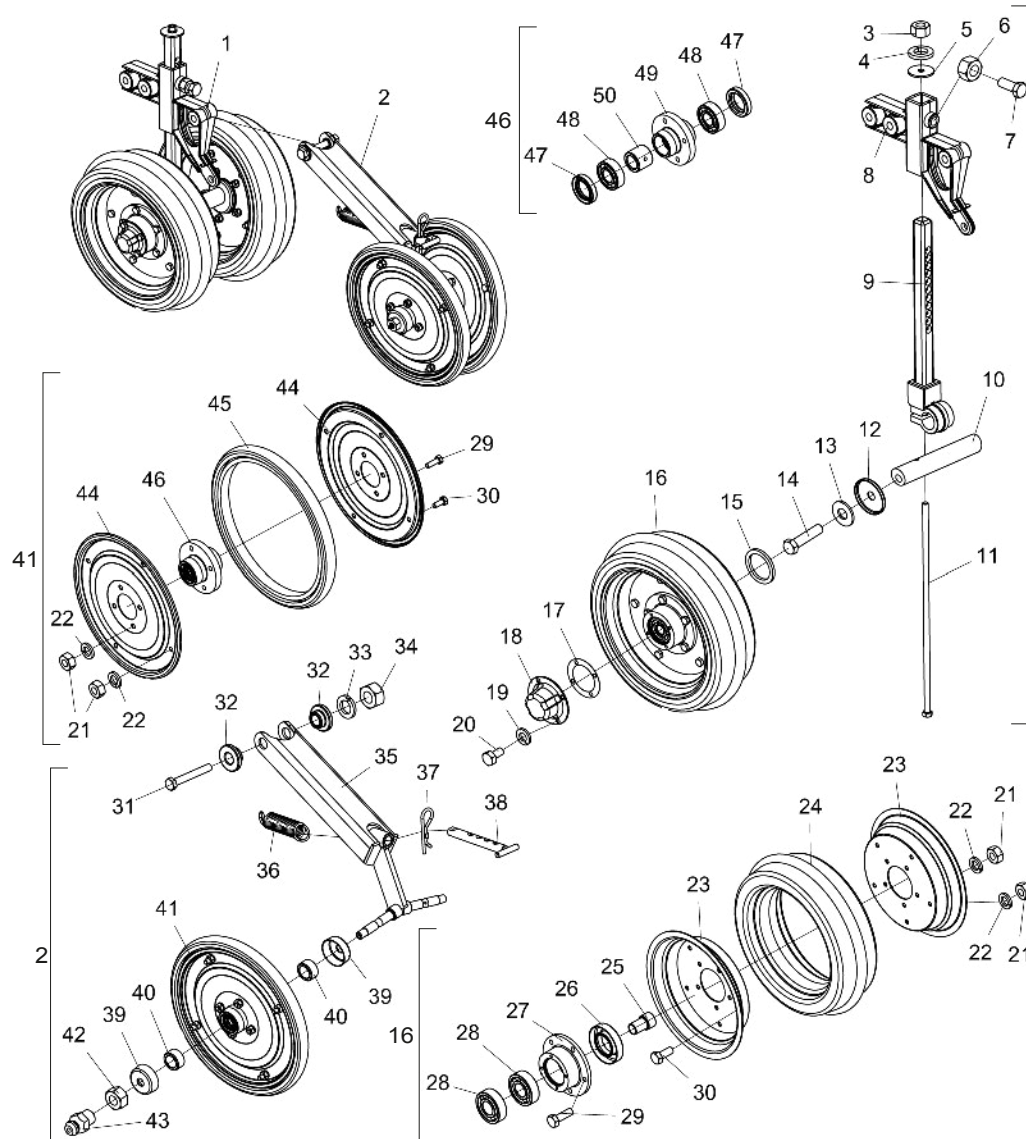
• Row W/Eccentric/Oscilant Depth Wheel and Wheel type "V"



• Table Row W/Eccentric/Oscilant Depth Wheel and Wheel type "V"

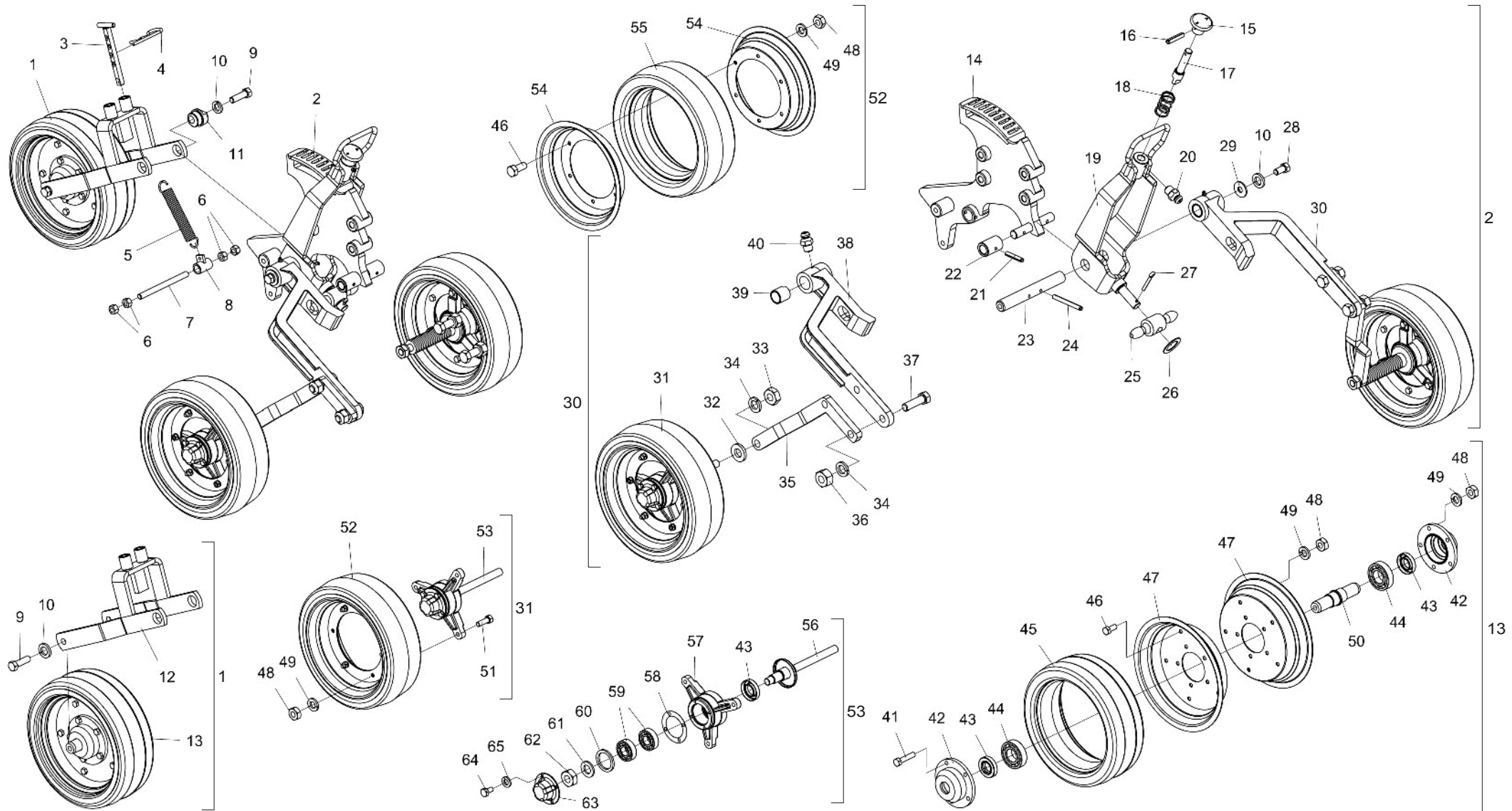
Item	Code	Product description	All	Item	Code	Product description	All
1	6020310979-5	Hexagonal Head Bolt M12 X 1,75 X 110Mm Cl8.8 Rp	1	44	5080010423-5	Bushing Of Handle	1
2	5080010945-8	Adjustment Excentric Bushing Compactor Wheel	2	45	5468010289-1	Wheel Handle "V"	1
3	6020010395-8	Pressure Washer M12 Media	3	46	6020250233-7	Helical Spring Ø16,8 X Ø20 X 34Mm	1
4	6020310820-9	Hexagonal Nut M12 X 1,75 Ma Cl8 Ch.19Mm H.10,00Mm	1	47	5530016410-1	Articulation Support Of "V" Wheel	1
5	5530014335-0	Complete Support "V" Wheel	1	48	5232011186-2	Shaft Of Wheel Type "V" Regulating	1
6	6020250318-0	Helical Spring Ø23 X Ø31 X 106Mm	1	49	6010602527-7	Fixation Lock Of Wheel Type "V"	1
7	6020310070-4	Hexagonal Head Bolt M12 X 1,75 X 25Mm Cl8.8 Rp	2	50	5024010075-1	Smooth Washer Ø10,3 X Ø25 X 2,00Mm	4
8	5024010068-9	Smooth Washer Ø13,3 X Ø35,5 X 3,00Mm	2	51	6020130100-1	Grease Fitting 1/4"	2
9	5024010323-8	Smooth Washer Ø27 X Ø44,5 X 4,75Mm	12	52	6020310736-9	Hexagonal Nut 9/16" 18F Unf Gr5 Ch.7/8" Height 12,50Mm	1
10	5530014329-5	Articulation Support Of Row	1	53	5096010033-3	Hub Cap	4
11	5124010797-3	Complete Right Row Of Depth Wheel	1	54	5080020710-7	Bushing Of Ø15 X Ø22,22 X 12Mm	4
12	5124010798-1	Complete Left Row Of Depth Wheel	1	55	6020310737-7	Hexagonal Nut 9/16" 18F Rf/Esq Unf Gr5 Ch.7/8" Height 12,50Mm	1
13	5530014332-5	Right Support Of Depth Wheel	1	56	5498090024-2	Spare Compaction Wheel	2
14	5530014331-7	Left Support Of Depth Wheel	1	57	6020311269-9	Hexagonal Head Bolt M8 X 1,25 X 20Mm Cl8.8 Rt	16
15	6020317475-9	Hexagonal Head Bolt M10 X 1,50 X 30Mm Cl8.8 Rt	5	58	6020010825-9	Large Rim Of Compactation Wheel	4
16	6020010394-0	Pressure Washer M10 Media	7	59	6020030183-0	Compactation Wheel 100-12(Large)	2
17	6020310822-5	Hexagonal Nut M10 X 1,50 Ma Cl8 Ch.17Mm H.8,00Mm	3	60	6020311000-9	Hexagonal Head Bolt 1/4" X 1/2" 20F Unc1A Gr5 Rt	8
18	6020310976-0	Hexagonal Head Bolt M8 X 1,25 X 45Mm Cl8.8 Rp	1	61	6020010402-4	Pressure Washer 1/4" Media Industry	8
19	6020317449-0	Self-Locking Nut With Nylon Low M8 X 1,25 Ma Cl8 Ch.13Mm H.8,00Mm	1	62	6020050640-8	Hub Cap	2
20	5530014327-9	Articulation Support Of Spring	1	63	6020310738-5	Hexagonal Nut 5/8" 11F Unc Gr5 Ch.1.1/16" Height 11,00Mm	1
21	5232011180-3	Articulation Shaft With Bushing	1	63	6020310833-0	Hexagonal Nut 5/8" 11F Esq Unc Gr5 Ch.1.1/16" Height 11,00Mm	1
22	5232012234-1	Shaft Ø24,9" X 244,3Mm	1	64	5024010154-5	Smooth Washer Ø16 X Ø29 X 3,00Mm	2
23	6020310508-0	Heavy Elastic Pin Ø8 X 40Mm	1	65	6020190098-3	Gascket Ø50,3 X Ø73,5 X 1/64"	2
24	5530014328-7	Articulation Support Of Depth Wheel	1	66	5024010330-0	Smooth Washer Ø38,8 X Ø50,2 X 4,00Mm	2
25	6020250574-3	Helical Spring Ø22,5 X Ø28,5 X 37Mm	1	67	6020350867-3	Sphere Rigid Bearing 6204 (Skf-Nsk-Timken)	4
26	5080010943-1	Bushing Of Handle	1	68	6020350204-7	Retainer Ø25,00 X Ø47,00 X 10,00Mm	2
27	6020310501-3	Heavy Elastic Pin Ø5 X 32Mm	1	69	5204070028-5	Depth Wheel Hub	2
28	5468010305-7	Puxador Da Roda "V".	1	70	5232010948-5	Complete Right Shaft Of Cart	1
29	6020317477-5	Hexagonal Head Bolt M8 X 1,25 X 30Mm Cl8.8 Rt	8	70	5232010957-4	Complete Left Shaft Of Cart	1
30	5498090018-8	Deph Wheel	2	71	6020310299-5	Hexagonal Head Bolt M10 X 1,50 X 15Mm Cl8.8 Rt	2
31	6020010004-5	Pressure Washer M8 Media	32	72	5080011257-2	Bushing Of Ø20 X Ø25 X 31Mm	2
32	6020310454-8	Hexagonal Nut M8 X 1,25 Ma Cl8 Ch.13Mm H.6,50Mm	32	73	5530016297-4	Right Wheel Support	1
33	5204010511-5	Complete Left Wheel Hub	1	73	5530016295-8	Left Wheel Support	1
33	5204010512-3	Complete Right Wheel Hub	1	74	6020030756-1	Bushing Mu Tfp 25 28 30 (P001Ag02500T03000)	4
34	5024010051-4	Smooth Washer Ø16 X Ø44 X 1,21Mm	2	75	5288020025-9	Wheel Ring	4
35	5530016294-0	Complete Support Of Right Wheel	1	76	6020010808-9	Rim 300 X 25Mm	2
35	5530016296-6	Complete Support Of Left Wheel	1	77	5204110018-4	Complete Hub Of Wheel	2
36	6020010412-1	Pressure Washer 5/8" Media Industry	2	78	6020310448-3	Hexagonal Head Bolt M8 X 1,25 X 25Mm Cl8.8 Rt	8
37	6020310179-4	Hexagonal Head Bolt 5/8" X 1.3/4" 11F Unc1A Gr5 Rt	2	79	6020350211-0	Retainer Ø22,00 X Ø35,00 X 6,70Mm	4
38	6020430203-3	Handle Pma 330 Thread 3/8" X 16 Fios	1	80	6020350871-1	Sphere Rigid Bearing 6202 (Skf-Nsk-Timken)	4
39	5008010224-8	Adjustment Handle Of Pressure Spring	1	81	5204110017-6	Wheel Hub	2
40	6020311241-9	French Head Pin Ø9,8 X 33Mm	2	82	5080020655-0	Bushing Of Ø16 X Ø25 X 22Mm	2
41	5558010358-7	Adjustment Lock Of Handle	1				
42	6020050099-0	Cotterpin 1/8" X 3/4"	2				
43	6020310502-1	Heavy Elastic Pin Ø5 X 24Mm	1				

• Complete Depth Wheel Type "V"



Item	Code	Product description	All
1	5124080050-4	Row Of Depth Wheel With Regulating Support	1
2	5124080057-1	Row Of Compaction Wheel Type "V"	1
3	6020310746-6	Hexagonal Nut 3/8" 16F Unc Gr5 Ch.9/16" Height 8,50Mm	2
4	6020010406-7	Pressure Washer 3/8" Media Industry	1
5	5024010206-1	Smooth Washer Ø10,6 X Ø44 X 3,00Mm	1
6	6020310765-2	Hexagonal Nut 5/8" 11F Unc Gr5 Ch.15/16" Height 14,00Mm	1
7	6020311069-6	Hexagonal Head Bolt 5/8" X 1.3/4" 11F Unc1A Gr5 Rt Wth Point	1
8	5530180108-3	Support Of Regulator	1
9	5484040022-3	Depth Regulator	1
10	5232020121-7	Shaft Ø1.1/4" X 190Mm	1
11	6020311039-4	Hexagonal Head Bolt 3/8" X 15.1/2" 16F Unc1A Gr2 Rp	1
12	5096010031-7	Cap Ø16 X Ø63,6 X 7,6Mm	2
13	5024010239-8	Smooth Washer Ø16,5 X Ø37 X 3,00Mm	2
14	6020310293-6	Hexagonal Head Bolt 5/8" X 2.3/4" 11F Unc1A Gr5 Rp Rosca Esquerda	1
14	6020310292-8	Hexagonal Head Bolt 5/8" X 2.3/4" 11F Unc1A Gr5 Rp Rosca Direita	1
15	5024010330-0	Smooth Washer Ø38,8 X Ø50,2 X 4,00Mm	2
16	5498100047-4	Small Compaction Wheel	2
17	6020190098-3	Gascket Ø50,3 X Ø73,5 X 1/64"	2
18	6020050640-8	Hub Cap	2
19	6020010402-4	Pressure Washer 1/4" Media Industry	8
20	6020311000-9	Hexagonal Head Bolt 1/4" X 1/2" 20F Unc1A Gr5 Rt	8
21	6020310454-8	Hexagonal Nut M8 X 1,25 Ma Cl8 Ch.13Mm H.6,50Mm	36
22	6020010004-5	Pressure Washer M8 Media	36
23	5018010016-1	Rubber Wheel Rim	4
24	6020010812-7	Convex Compaction Rim 811/9 103-8	2
25	5080010146-5	Bushing Of Ø16 X Ø26 X 44Mm	2
26	6020350204-7	Retainer Ø25,00 X Ø47,00 X 10,00Mm	2
27	5204010174-8	Compaction Wheel Hub	2
28	6020350867-3	Sphere Rigid Bearing 6204 (Skf-Nsk-Timken)	4
29	6020310448-3	Hexagonal Head Bolt M8 X 1,25 X 25Mm Cl8.8 Rt	18
30	6020311269-9	Hexagonal Head Bolt M8 X 1,25 X 20Mm Cl8.8 Rt	18
31	6020317495-3	Hexagonal Head Bolt M12 X 1,75 X 90Mm Cl8.8 Rp	1
32	5080020484-1	Bushing Of Ø13,1 X Ø31,5 X 12,5Mm	2
33	6020010395-8	Pressure Washer M12 Media	1
34	6020310820-9	Hexagonal Nut M12 X 1,75 Ma Cl8 Ch.19Mm H.10,00Mm	1
35	5530160231-5	Small Oscilating Support	1
36	6020250658-8	Helical Spring Ø21,5 X Ø28,5 X 95Mm	1
37	6020390308-4	Lock Nma - Type "R" Ø4,5 X 80Mm	1
38	5432060014-9	Handle 5/8" X 131Mm	1
39	5096010033-3	Hub Cap	4
40	5080020710-7	Bushing Of Ø15 X Ø22,22 X 12Mm	4
41	5498090024-2	Spare Compaction Wheel	2
42	6020310736-9	Hexagonal Nut 9/16" 18F Unf Gr5 Ch.7/8" Height 12,50Mm	1
42	6020310737-7	Hexagonal Nut 9/16" 18F Rf/Esq Unf Gr5 Ch.7/8" Height 12,50Mm	1
43	6020130100-1	Grease Fitting 1/4"	2
44	5288020025-9	Wheel Ring	4
45	6020010808-9	Rim 300 X 25Mm	2
46	5204110018-4	Complete Hub Of Wheel	2
47	6020350211-0	Retainer Ø22,00 X Ø35,00 X 6,70Mm	4
48	6020350871-1	Sphere Rigid Bearing 6202 (Skf-Nsk-Timken)	4
49	5204110017-6	Wheel Hub	2
50	5080020655-0	Bushing Of Ø16 X Ø25 X 22Mm	2

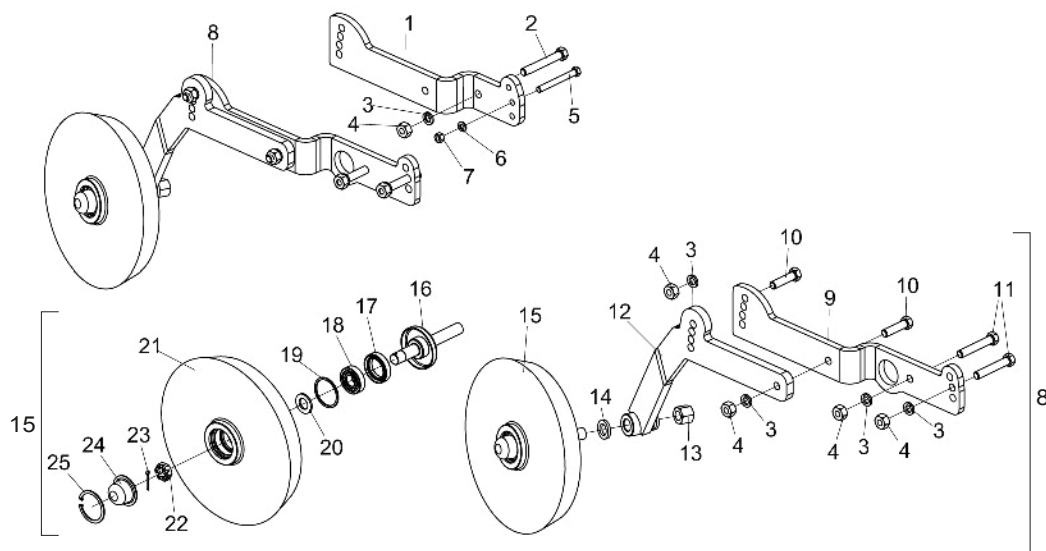
• Depth and concave Wheel



• Table Depth and concave Wheel

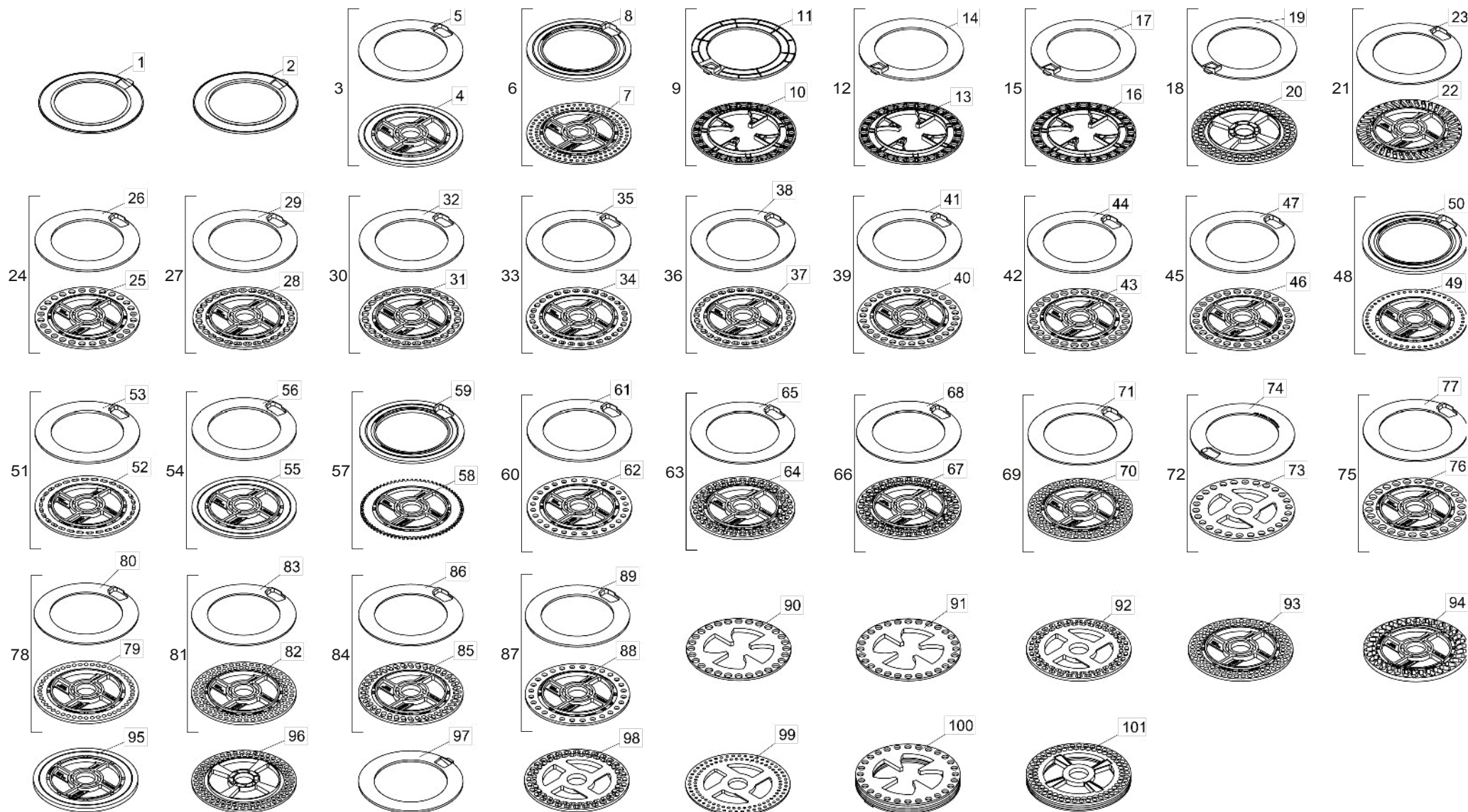
Item	Code	Product description	All	Large	Small	Item	Code	Product description	All	Large	Small
1	5124010040-5	Row Of Concave Compaction Wheel	1			35	5072010140-5	Right Arm of Depth Wheel	2		
2	5124010400-1	Row Of Depth Wheel		1		35	5072010141-3	Left Arm of Depth Wheel	2		
2	5124010403-6	Row Of Depth Wheel (Small Row)			1	36	6020310760-1	Hexagonal Nut 5/8" 11F Unc Gr5 Ch.1.1/16" Height 15,00Mm	4		
3	5432060014-9	Handle 5/8" X 131Mm	2			37	6020311221-4	Hexagonal Head Bolt 5/8" X 2.1/4" 18F Unf Gr5 Rt	4		
4	6020390308-4	Lock Nma - Type "R" Ø4,5 X 80Mm	2			38	5530011741-3	Right Large Support of Wheel	2		
5	6020250245-0	Helical Spring Ø14 X Ø19 X 130Mm	2			38	5530011740-5	Left Large Support of Wheel	2		
6	6020310746-6	Hexagonal Nut 3/8" 16F Unc Gr5 Ch.9/16" Height 8,50Mm	4			39	5080010256-9	Bronze Bushing Of Ø25,5 X Ø30,50 X 30,50Mm	4		
7	5566010040-6	Rod Of Ø3/8" X 110Mm	1			40	6020130100-1	Grease Fitting 1/4"	2		
8	5252010053-9	Spring Hitch	2			41	6020311017-3	Hexagonal Head Bolt 5/16" X 1.1/2" 18F Unc Gr2 Rt	5		
9	6020317427-9	Hexagonal Head Bolt 1/2" X 1.3/4" 12FW Gr5 Rt	4			42	5204020047-9	Wheel Hub	2		
10	6020010410-5	Pressure Washer 1/2" Media Industry	6			43	6020350204-7	Retainer Ø25,00 X Ø47,00 X 10,00Mm	6		
11	5080010220-8	Adjustment Bushing	2			44	6020350007-9	Bearing 6206(Skf-Nsk-Timken)	2		
12	5530010157-6	Wheel Support	1			45	6020010813-5	Convex Compaction Rim 99-8	1		
13	5498100018-0	Complete Compaction Wheel Concav	1			46	6020312020-9	Hexagonal Head Bolt 5/16" X 3/4" 18F Unc1A Gr5 Rt	17		
14	5530010693-4	Support Of Compaction Wheel W/Chock Absover	1			47	5018010016-1	Rubber Wheel Rim	2		
15	6020250449-6	Knop 5/8"	1			48	6020310744-0	Hexagonal Nut 5/16" 18F Unc Gr5 Ch.1/2" Height 6,50Mm	34		
16	6020310502-1	Heavy Elastic Pin Ø5 X 24Mm	1			49	6020010404-0	Pressure Washer 5/16" Media Industry	34		
17	5432080040-7	Lock Pin	1			50	5080030028-0	Large Bushing Of Compactor Wheel	1		
18	6020250233-7	Helical Spring Ø16,8 X Ø20 X 34Mm	1			51	6020310038-0	Hexagonal Head Bolt 5/16" X 1" 18F Unc1A Gr5 Rt	12		
19	5484010007-6	Cart Regulator	1			52	5498010046-7	Depth Wheel Semi-Mont	4		
20	6020130100-1	Grease Fitting 1/4"	1			53	5204010337-6	Complete Right Wheel Hub	2		
21	6020310488-2	Heavy Elastic Pin Ø6 X 32Mm	2			53	5204010336-8	Complete Left Hub Of Wheel	2		
22	5080010629-7	Bushing	2			54	5018010022-6	Rubber Wheel Rim	8		
23	5232010208-1	Shaft Ø1" X 194Mm	1			55	6020010803-8	Compaction Rim	4		
24	6020310472-6	Heavy Elastic Pin Ø6 X 55Mm	2			56	5232010838-1	Right Shaft Of Regulating Wheel With Cap	2		
25	5232010133-6	Regulating Shaft 140Mm	1			56	5232010836-5	Left Shaft Of Regulating Wheel With Cap	2		
26	5024010160-0	Smooth Washer Ø20 X Ø31 X 1,21Mm	1			57	5204010228-0	Oscilating Wheel Hub	4		
27	6020050106-6	Cotterpin 3/16" X 1.1/2"	1			58	6020190098-3	Gascket Ø50,3 X Ø73,5 X 1/64"	4		
28	6020311045-9	Hexagonal Head Bolt 1/2" X 1" 12FW Gr5 Rt	2			59	6020350867-3	Sphere Rigid Bearing 6204 (Skf-Nsk-Timken)	8		
29	5024010068-9	Smooth Washer Ø13,3 X Ø35,5 X 3,00Mm	2			60	5024010330-0	Smooth Washer Ø38,8 X Ø50,2 X 4,00Mm	4		
30	5498010115-3	Regulating Wheel Of Depth Right		1		61	5024010154-5	Smooth Washer Ø16 X Ø29 X 3,00Mm	4		
30	5498010114-5	Regulating Wheel Of Depth Left		1		62	6020310738-5	Hexagonal Nut 5/8" 11F Unc Gr5 Ch.1.1/16" Height 11,00Mm	2		
30	5498010116-1	Regulating Wheel Of Depth Right (Small Row)			1	62	6020310833-0	Hexagonal Nut 5/8" 11F Esq Unc Gr5 Ch.1.1/16" Height 11,00Mm	2		
30	5498010117-0	Regulating Wheel Of Depth Left (Small Row)			1	63	6020050640-8	Hub Cap	4		
31	5498010113-7	Right Depth Wheel	2			64	6020311000-9	Hexagonal Head Bolt 1/4" X 1/2" 20F Unc1A Gr5 Rt	16		
31	5498010112-9	Left Depth Wheel	2			65	6020010402-4	Pressure Washer 1/4" Media Industry	16		
32	5024010425-0	Smooth Washer Ø16,20 X Ø32 X 4,75Mm	46								
33	6020310738-5	Hexagonal Nut 5/8" 11F Unc Gr5 Ch.1.1/16" Height 11,00Mm	2								
33	6020310833-0	Hexagonal Nut 5/8" 11F Esq Unc Gr5 Ch.1.1/16" Height 11,00Mm	2								
34	6020010412-1	Pressure Washer 5/8" Media Industry	6								

• Iron Comapctation Wheel



Item	Code	Product description	All	Right	Left
1	5136011577-5	Fixation Right Plate Of Forrower		1	
1	5136011578-3	Fixation Left Plate Of Forrower			1
2	6020311061-0	Hexagonal Head Bolt 1/2" X 3.1/2" 12F W Gr5 Rp	1		
3	6020010410-5	Pressure Washer 1/2" Media Industry	5		
4	6020310754-7	Hexagonal Nut 1/2" 12F W Gr5 Ch.7/8" Height 12,00Mm	5		
5	6020310205-7	Hexagonal Head Bolt 3/8" X 3.1/2" 16F Unc Gr5 Rt	1		
6	6020010406-7	Pressure Washer 3/8" Media Industry	1		
7	6020310746-6	Hexagonal Nut 3/8" 16F Unc Gr5 Ch.9/16" Height 8,50Mm	1		
8	5498010091-2	Complete Right Compaction Wheel For Double Disc		1	
8	5498010090-4	Complete Left Compaction Wheel For Double Disc			1
9	5136011579-1	Left Plate Fixation Of Double Disc		1	
9	5136011580-5	Right Plate Of Fixation Double Disc			1
10	6020310049-6	Hexagonal Head Bolt 1/2" X 2" 12F W Gr5 Rp	2		
11	6020311057-2	Hexagonal Head Bolt 1/2" X 3" 12F W Gr5 Rp	2		
12	5530010995-0	Left Support Of Compaction Wheel For Double Dic		1	
12	5530010996-8	Right Support Of Compaction Wheel For Double Dic			1
13	6020310771-7	Double Hexagonal Nut 3/4" 16F Unf Gr5 Ch.1.1/16" H.23,00Mm	1		
14	5024010302-5	Smooth Washer Ø20 X Ø32 X 4,75Mm	6		
15	5498010049-1	Complete Iron Compaction Wheel	1		
16	5232010977-9	Complete Shaft Of Steel Compaction Wheel	1		
17	6020350268-3	Retainer Ø36,00 X Ø52,00 X 11,00Mm	1		
18	6020350087-7	Bearing 30204	2		
19	6020010095-9	Gasket Ring 047X 052X 2Mm	1		
20	6020010513-6	Plain Washer Ø20 X Ø35 X 3Mm	1		
21	5288010049-1	Ring Of Compactor Wheel	1		
22	6020310797-0	Nut 3/4" 16F Unf Gr5 Ch.1.1/16" Height 13,00Mm	1		
23	6020050101-5	Cotterpin 1/8" X 1"	1		
24	6020050641-6	Hub Cap	1		
25	6020010289-7	Retaining Ring I-55	1		

• Seed Discs



• Table Seed Discs

Item	Code	Product description
1	6020015812-4	Soya Ring Mod U 3Mm W/Undercut 0,8Mm (Purple) (1020021)
2	6020015813-2	Soya Ring Mod U 4Mm W/Undercut 1Mm (Light Orange) (1020024)
3	5220010131-6	Distributor Disc Without Hole (Ø35,5 X Ø189 X 5,50Mm) With Ring Of 3,00Mm(Universal)
4	6020070123-5	Distributor Disc Cego (Ø35,5 X Ø189 X 5,50Mm) (Universal)
5	6020070108-1	Ring Ø131,5 X Ø189 X 3,00Mm
6	5220010104-9	Sorghum Distributor Disc 100F Ø5Mm(Ø35,5 X Ø189 X 3,00Mm) With Ring 5,50Mm
7	6020070136-7	Sorghum Distributor Disc 100H Ø5Mm (Ø35,5 X Ø189 X 3,00Mm) (Universal)
8	6020070109-0	Ring Ø131,5 X Ø189 X 5,50Mm With Lock For Sorghum
9	5220010137-5	Maize Distributor Disc 28F Ø11,5Mm(Ø189 X 4,00Mm)With Ring 4,00Mm
10	6020071798-0	Maize Distributor Disc 28H Ø11,5Mm (Ø189 X 4,00Mm) Rampflow (Light Green)
11	6020015815-9	Maize Ring Mod U 4Mm Plain (Yellow) (1020016)
12	5220010138-3	Maize Distributor Disc 28F Ø12,5Mm(Ø189 X 4,00Mm)With Ring 4,00Mm
13	6020071799-9	Maize Distributor Disc 28H Ø12,5Mm (Ø189 X 4,00Mm) Rampflow (Light Blue)
14	6020015809-4	Maize Ring Mod U 4Mm W/Undercut 1Mm(Green)(1020017)
15	5220010139-1	Maize Distributor Disc 28F Ø13,5Mm(Ø189 X 4,00Mm)With Ring 4,00Mm
16	6020071800-6	Maize Distributor Disc 28H Ø13,5Mm (Ø189 X 4,00Mm) Rampflow (Beige)
17	6020015814-0	Maize Ring Mod U 4Mm W/Undercut 2,5Mm(Blue)(1020019)
18	5220010141-3	Soya Deam Distributor Disc 90F Ø9Mm(Ø35,10 X Ø189 X 5,50Mm)With Ring 3,00Mm
19	6020015811-6	Soya Ring Mod U 3Mm Liso (Lilac) (1020020)
20	6020071802-2	Soya Deam Distributor Disc 90H Ø9Mm (Ø35,10 X Ø189 X 5,50Mm) Rampflow (Lilac)
21	5220010129-4	Rice Distributor Disc 40F 6,5 X 19,5Mm(Ø35,5 Ø189 X 5,50Mm) With Ring 3,00Mm
22	6020070940-6	Rice Distributor Disc 40H 6,5 X 19,5mm(Ø35,5 X Ø189 X 5,50mm)(Universal)
23	6020070108-1	Ring Ø131,5 X Ø189 X 3,00Mm
24	5220010103-0	Maize Distributor Disc 28F Ø11,5Mm(Ø35,5 X Ø189 X 4,50Mm)With Ring 4,00Mm
25	6020070165-0	Maize Distributor Disc 28H Ø11,5Mm (Ø35,5 X Ø189 X 4,50Mm) (Universal)
26	6020070107-3	Ring Ø131,5 X Ø189 X 4,00Mm W/Undercut
27	5220010111-1	Maize Distributor Disc 30F 10 X 14,5Mm(Ø35,5 X Ø189 X 4,50Mm)With Ring
28	6020070126-0	Maize Distributor Disc 30H 10 X 14,5Mm (Ø35,5 X Ø189 X 4,50Mm) (Universal)
29	6020070107-3	Ring Ø131,5 X Ø189 X 4,00Mm W/Undercut
30	5220010112-0	Maize Distributor Disc 28F 11 X 15,5Mm(Ø35,5 X Ø189 X 4,50Mm)With Ring
31	6020070127-8	Maize Distributor Disc 28H 11 X 15,5Mm (Ø35,5 X Ø189 X 4,50Mm) (Universal)
32	6020070107-3	Ring Ø131,5 X Ø189 X 4,00Mm W/Undercut
33	5220010113-8	Maize Distributor Disc 30F 8,5 X 12Mm(Ø35,5 X Ø189 X 4,50Mm)With Ring 4,00Mm
34	6020070128-6	Maize Distributor Disc 30H 8,5 X 12Mm (Ø35,5 X Ø189 X 4,50Mm) (Universal)
35	6020070107-3	Ring Ø131,5 X Ø189 X 4,00Mm W/Undercut
36	5220010114-6	Maize Distributor Disc 30F 9 X 13,5Mm(Ø35,5 X Ø189 X 4,50Mm)With Ring 4,00Mm
37	6020070129-4	Maize Distributor Disc 30H 9 X 13,5Mm (Ø35,5 X Ø189 X 4,50Mm) (Universal)
38	6020070107-3	Ring Ø131,5 X Ø189 X 4,00Mm W/Undercut
39	5220010116-2	Maize Distributor Disc 30F Ø11,5Mm(Ø35,5 X Ø189 X 4,50Mm)With Ring 4,00Mm
40	6020070131-6	Maize Distributor Disc 30H Ø11,5Mm (Ø35,5 X Ø189 X 4,50Mm) (Universal)
41	6020070107-3	Ring Ø131,5 X Ø189 X 4,00Mm W/Undercut
42	5220010118-9	Maize Distributor Disc 28F Ø13,5Mm(Ø35,5 X Ø189 X 4,50Mm)With Ring 4,00Mm
43	6020070166-9	Maize Distributor Disc 28H Ø13,5Mm (Ø35,5 X Ø189 X 4,50Mm) (Universal)
44	6020070107-3	Ring Ø131,5 X Ø189 X 4,00Mm W/Undercut
45	5220010119-7	Maize Distributor Disc 28F Ø12,5Mm(Ø35,5 X Ø189 X 4,50Mm)With Ring 4,00Mm
46	6020070167-7	Maize Distributor Disc 28H Ø12,5Mm (Ø35,5 X Ø189 X 4,50Mm) (Universal)
47	6020070107-3	Ring Ø131,5 X Ø189 X 4,00Mm W/Undercut
48	5220010120-0	Sorghum Distributor Disc 50F Ø5Mm(Ø35,5 X Ø189 X 3,00Mm) With Ring 5,00Mm
49	6020070139-1	Sorghum Distributor Disc 50H Ø5Mm (Ø35,5 X Ø189 X 3,00Mm) (Universal)
50	6020070107-3	Ring Ø131,5 X Ø189 X 4,00Mm W/Undercut

Item	Code	Product description
51	5220010123-5	Sunflower Distributor Disc 30F 5,5 X 13,4Mm(Ø35,5 X Ø189 X 4,50Mm) With Ring
52	6020070125-1	Sunflower Distributor Disc 30H 5,5 X 13,4Mm (Ø35,5 X Ø189 X 4,50Mm) (Universal)
53	6020070107-3	Ring Ø131,5 X Ø189 X 4,00Mm W/Undercut
54	5220010132-4	Distributor Disc Without Hole (Ø35,5 X Ø189 X 4,00Mm) Universal
55	6020070081-6	Distributor Disc Cego (Ø35,5 X Ø189 X 4,00Mm) (Universal)
56	6020070107-3	Ring Ø131,5 X Ø189 X 4,00Mm W/Undercut
57	5220010127-8	Disco Distributor De Canola/Sorgo 76F Ø5Mm(Ø35,5 X Ø186 X 3,00Mm)W/Ring De 5,50Mm(Universal)
58	6020070138-3	Canola/Sorghum Distributor Disc 76H Ø5Mm (Ø35,5 Ø186 X 3,00Mm) (Universal)
59	6020070110-3	Ring Ø131,5 X Ø189 X 4,00Mm
60	5220010133-2	Maize Distributor Disc 28F Ø9,00Mm(Ø35,5 X Ø189 X 4,50Mm) With Ring 4,00Mm
61	6020071725-5	Maize Distributor Disc 28H Ø9,00Mm (Ø35,5 X Ø189 X 4,50Mm) (Universal)
62	6020070110-3	Ring Ø131,5 X Ø189 X 4,00Mm
63	5220010128-6	Cotton Distributor Disc 64F 7 X 12Mm(Ø35,5 X Ø189 X 5,50Mm) With Ring
64	6020070939-2	Cotton Distributor Disc 64F 7 X 12Mm (Ø35,5 X Ø189 X 5,50Mm) (Universal)
65	6020070108-1	Ring Ø131,5 X Ø189 X 3,00Mm
66	5220010121-9	Bean Distributor Disc 64F 8 X 12,5Mm(Ø35,5 X Ø189 X 5,50Mm)W/Ring De 3,00Mm
67	6020070124-3	Beam Distributor Disc 64H 8 X 12,5Mm (Ø35,5 X Ø189 X 5,50Mm) (Universal)
68	6020070108-1	Ring Ø131,5 X Ø189 X 3,00Mm
69	5220010126-0	Soya Deam Distributor Disc 90F Ø8Mm(Ø35,5 X Ø189 X 5,50Mm)With Ring 3,00Mm
70	6020070135-9	Soya Deam Distributor Disc 90H Ø8Mm (Ø35,5 X Ø189 X 5,50Mm) (Universal)
71	6020070108-1	Ring Ø131,5 X Ø189 X 3,00Mm
72	5220010110-3	Maize Distributor Disc 26F Ø12,5Mm(Ø35,5 X Ø189 X 5,50Mm)With Ring 3,00Mm
73	6020070104-9	Maize Distributor Disc 26H Ø12,5Mm (Ø35,5 X Ø189 X 5,50Mm) (Universal)
74	6020070108-1	Ring Ø131,5 X Ø189 X 3,00Mm
75	5220010115-4	Maize Distributor Disc 26F Ø13,5Mm(Ø35,5 X Ø189 X 5,50Mm)With Ring 3,00Mm
76	6020070130-8	Maize Distributor Disc 26H Ø13,5Mm (Ø35,5 X Ø189 X 5,50Mm) (Universal)
77	6020070108-1	Ring Ø131,5 X Ø189 X 3,00Mm
78	5220010117-0	Maize Distributor Disc 48F Ø7Mm(Ø35,5 X Ø189 X 5,50Mm)With Ring 3,00Mm
79	6020070132-4	Maize Distributor Disc 48H Ø7Mm (Ø35,5 X Ø189 X 5,50Mm) (Universal)
80	6020070108-1	Ring Ø131,5 X Ø189 X 3,00Mm
81	5220010124-3	Soya Deam Distributor Disc 90F Ø7Mm(Ø35,5 X Ø189 X 5,50Mm)With Ring 3,00Mm
82	6020070133-2	Soya Deam Distributor Disc 90H Ø7Mm (Ø35,5 X Ø189 X 5,50Mm) (Universal)
83	6020070108-1	Ring Ø131,5 X Ø189 X 3,00Mm
84	5220010125-1	Soya Distributor Disc 40F 7,5 X 15Mm(Ø35,5 X Ø189 X 5,50Mm)With Ring 3,00Mm
85	6020070134-0	Soya Distributor Disc 40H 7,5 X 15Mm (Ø35,5 X Ø189 X 5,50Mm) (Universal)
86	6020070108-1	Ring Ø131,5 X Ø189 X 3,00Mm
87	5220010133-2	Maize Distributor Disc 28F Ø9,00Mm(Ø35,5 X Ø189 X 4,50Mm) With Ring 4,00Mm
88	6020071725-5	Maize Distributor Disc 28H Ø9,00Mm (Ø35,5 X Ø189 X 4,50Mm) (Universal)
89	6020070110-3	Ring Ø131,5 X Ø189 X 4,00Mm
90	6020071816-2	Maize Distributor Disc 28H Ø10,5Mm (Ø189 X 4,00Mm) Rampflow (Pink)
91	6020071817-0	Maize Distributor Disc 28H Ø11,0Mm (Ø189 X 4,00Mm) Rampflow Mod U (Blue)
92	6020071818-9	Maize Distributor Disc 28H Ø12,0Mm (Ø189 X 4,00Mm) Rampflow (Orange)
93	6020070135-9	Soya Deam Distributor Disc 90H Ø8Mm (Ø35,5 X Ø189 X 5,50Mm) (Universal)
94	6020070090-5	Beam Distributor Disc 34H 10,5 X 20Mm (Ø35,5 X Ø189 X 8,50Mm) (Universal)
95	6020070089-1	Distributor Disc Cego (Ø35,5 X Ø189 X 8,00Mm) (Universal)
96	6020071801-4	Soya Deam Distributor Disc 90H Ø8Mm (Ø35,10 X Ø189 X 4,50Mm) Rampflow (Orange)
97	6020015810-8	Soya Ring Mod U 4Mm Plain (Orange) (1020022)
98	6020071820-0	Soya Deam Distributor Disc 90H Ø7,3Mm (Ø35,10 X Ø189 X 4,50Mm) Rampflow
99	6020075816-7	Soya Ring Mod. "U" 4mm
100	6020056426-2	Titanium Disc/Rings Kit For Soya 90 Holes (1060003)
101	6020056425-4	Titanium Disc/Rings Kit For Maize 28 Holes (1060002)



Avenida Baldan, 1500
Nova Matão
15.993-900
Matão/SP - Brasil
sac@baldan.com.br
export@baldan.com.br

+55 16 3221 6500
baldan.com.br