

Parts Catalog



SLA PRECISION AIR

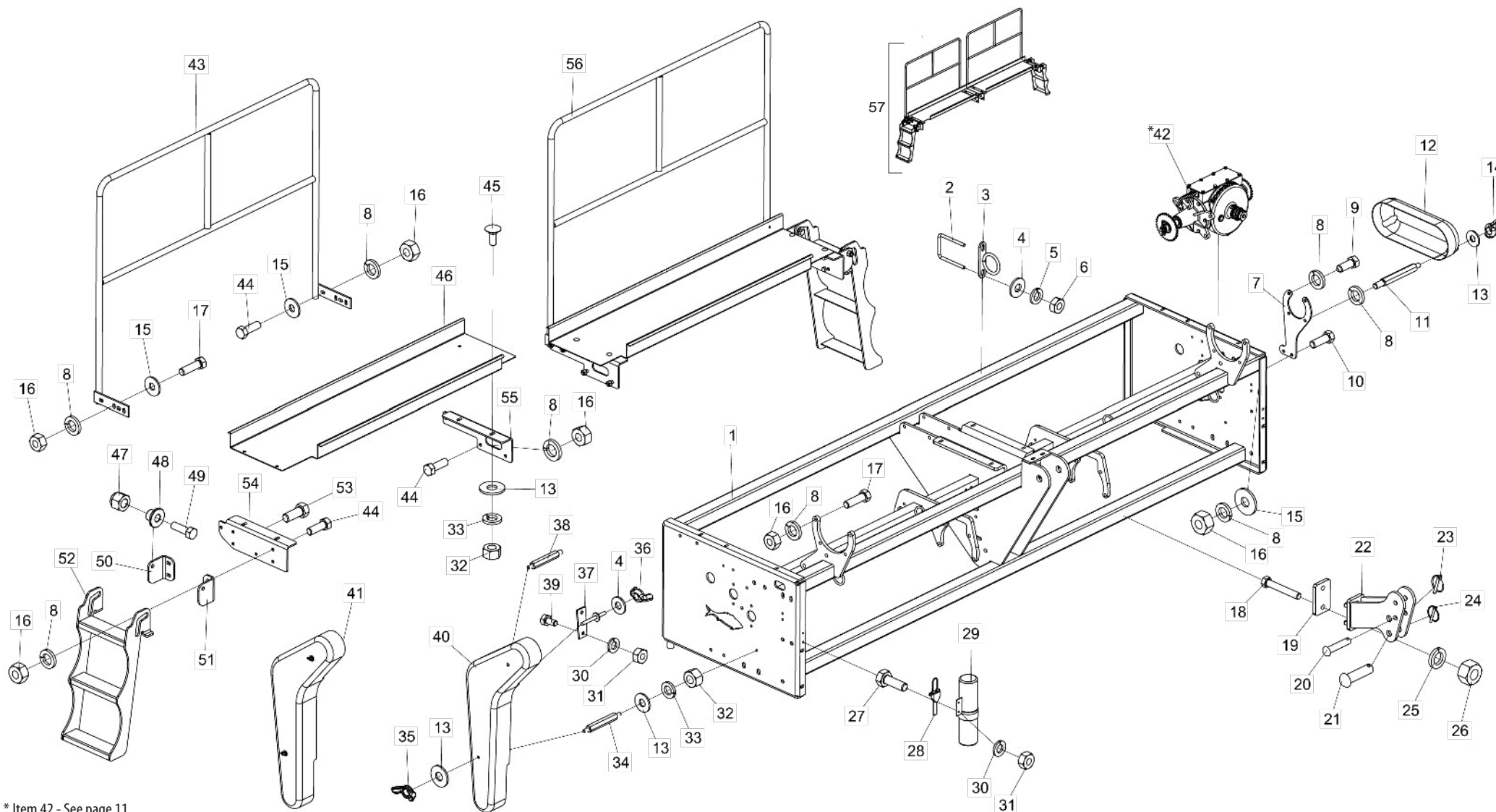
Row Crop Planter

 **BALDAN**

▪ Index

<i>Complete Main Frame Without Finishing</i>	4	<i>Table Right/Left Pneumatic Row.....</i>	35-36
<i>Table Complete Main Frame Without Finishing.....</i>	5	<i>Double Disc of Fertilizer.....</i>	37
<i>Complete Main Frame Without Finishing - Transmission</i>	6	<i>Furrower</i>	38
<i>Table Complete Main Frame Without Finishing - Transmission.....</i>	7	<i>Complete Oscilant Wheel</i>	39
<i>Complete Main Frame Without Finishing - Wheel Support</i>	8	<i>Table Complete Oscilant Wheel.....</i>	40
<i>Table Complete Main Frame Without Finishing - Wheel Support</i>	9-10	<i>Complete Eccentric Wheel.....</i>	41
<i>Speed Box.....</i>	11	<i>Stickers</i>	42-43
<i>Main Frame Hydraulic Cylinder.....</i>	12		
<i>Row Marker Hydraulic Cylinder.....</i>	12		
<i>Complete Main Frame With Finishing 3000.....</i>	13		
<i>Table Complete Main Frame With Finishing 3000.....</i>	14		
<i>Complete Main Frame With Finishing 3000 - Transmission.....</i>	15		
<i>Table Complete Main Frame With Finishing 3000 - Transmission.....</i>	16		
<i>Complete Fertilizer Plastic Hopper</i>	17		
<i>Complete Mertilizer Metal Hopper</i>	17		
<i>Fertilizer Plastic Hopper</i>	18		
<i>Table Fertilizer Plastic Hopper.....</i>	19		
<i>Fertilizer Metal Hopper</i>	20		
<i>Table Fertilizer Metal Hopper</i>	21		
<i>Complete Hitch Drawbar W/Multiplier Box</i>	22		
<i>Multiplier Box</i>	23		
<i>Hydraulic System W/Row Marker</i>	24		
<i>Row Marker</i>	25		
<i>Table Row Marker</i>	26		
<i>Lubrication System</i>	27		
<i>Table Lubrication System</i>	28		
<i>Planter Rows.....</i>	29		
<i>Row W / Fertilizer Disc and Furrower</i>	30		
<i>Table Row W / Fertilizer Disc and Furrower.....</i>	31-33		
<i>Right/Left Pneumatic Row.....</i>	34		

• Complete Main Frame Without Finishing

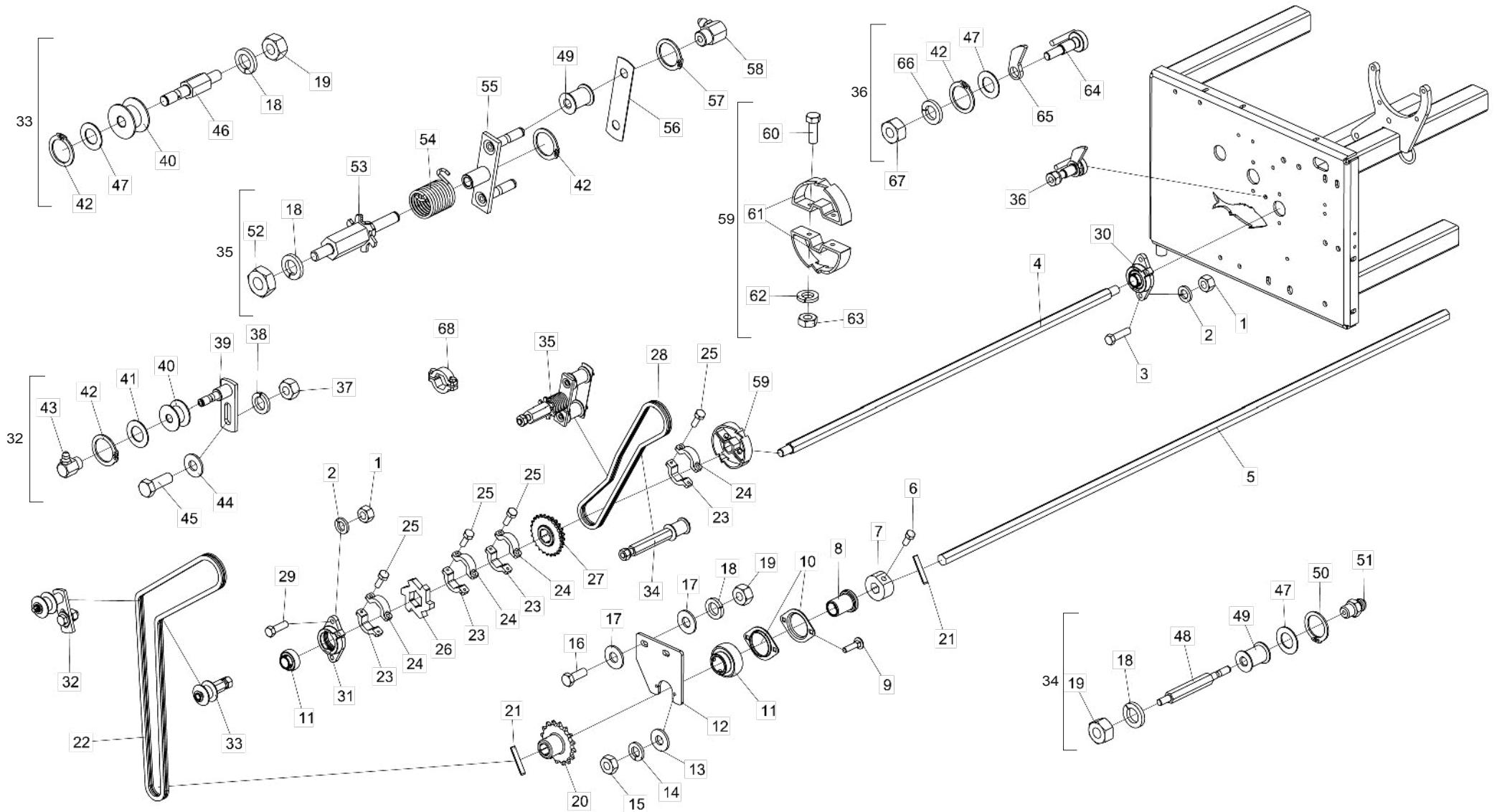


* Item 42 - See page 11

• Table Complete Main Frame Without Finishing

Item	Code	Product description	All	Item	Code	Product description	All
1	5404010150-3	Main Frame Sla 2500	1	35	6020030104-0	Nut Ø3/8" 16F Unc	2
1	5404010151-1	Main Frame Sla 3000	1	36	6020030102-4	Nut Ø5/16" 18F Unc	1
2	5068010066-4	Clamp Of 75 X 100 X 3/8"	4	37	5530130037-8	Fixation Support Of Protector Cap	1
3	5530011497-0	Fixation Support Of Hoses (For Beam Of 70Mm)	4	38	5232010480-7	Shaft Of Protection Cap Fixation	1
4	5024010073-5	Smooth Washer Ø8,5 X Ø20 X 2,00Mm	9	39	6020311000-9	Hexagonal Head Bolt 1/4" X 1/2" 20F Unc1A Gr5 Rt	2
5	6020010404-0	Pressure Washer 5/16" Media Industry	8	40	6020050532-0	Protection Cap	1
6	6020310744-0	Hexagonal Nut 5/16" 18F Unc Gr5 Ch.1/2" Height 6,50Mm	8	41	5106010083-0	Complete Protector Cover	1
7	5136011891-0	Fixation Plate	2	*42	5092010211-2	Complete Left Speed Box(Fertilizer)	1
8	6020010410-5	Pressure Washer 1/2" Media Industry	39	*42	5092010443-3	Complete Right Speed Box(Seed)	1
9	6020311049-1	Hexagonal Head Bolt 1/2" X 1.1/4" 12F W Gr5 Rt	6	43	5196010181-6	Platform Handrail Sla-P 2500	2
10	6020312001-2	Hexagonal Head Bolt 1/2" X 1.1/2" 12F W Gr5 Rt	4	43	5196010182-4	Platform Handrail Sla-P 3000	2
11	5232010396-7	Small Shaft Of Chain Protection Fixation	1	44	6020312001-2	Hexagonal Head Bolt 1/2" X 1.1/2" 12F W Gr5 Rt	14
12	6020050647-5	Protection Cap	1	45	6020311160-9	French Head Bolt 3/8" X 1" 16F Unc1A Gr2 Rt	8
12	6020050341-7	Left Protection Cap Of Chain	1	46	5440010769-9	Platform Sla-2501	1
13	5024010075-1	Smooth Washer Ø10,3 X Ø25 X 2,00Mm	12	46	5440010089-9	Left Rear Platform Sla-3001	1
14	6020030104-0	Nut Ø3/8" 16F Unc	1	46	5440010768-0	Right Rear Platform Sla-3001	1
15	5024010068-9	Smooth Washer Ø13,3 X Ø35,5 X 3,00Mm	12	47	6020310759-8	Self-Locking Nut With Nylon 5/8" 11F Unc Gr5 Ch.15/16" H.19,50Mm	4
16	6020310754-7	Hexagonal Nut 1/2" 12F W Gr5 Ch.7/8" Height 12,00Mm	32	48	5080010465-0	Articulation Bushing 19Mm	4
17	6020317427-9	Hexagonal Head Bolt 1/2" X 1.3/4" 12F W Gr5 Rt	10	49	6020310180-8	Hexagonal Head Bolt 5/8" X 2" 11F Unc1A Gr5 Rp	4
18	6020311103-0	Hexagonal Head Bolt 3/4" X 5" 10F Unc1A Gr5 Rp	4	50	5136011890-1	Left Lateral Plate Of Landder	2
19	5136010748-9	Fixation Plate Of Hitch	2	51	5136011889-8	Right Lateral Plate Of Landder	2
20	5432120028-4	French Head Pin Ø3/4" X 86Mm	2	52	5259010015-3	Stair 3 Steps Sp Light	2
21	5432120107-8	French Head Pin Ø28 X 95Mm	2	53	6020310051-8	Hexagonal Head Bolt 1/2" X 1.1/4" 12F W Gr5 Rt	4
22	5252010118-7	Drawbar Hitch	2	54	5136011885-5	Right Lateral Fixation Plate Of Platform	2
23	6020390293-2	Lock Ø5,75 X 40Mm	2	54	5136011886-3	Left Lateral Fixation Plate Of Platform	2
24	6020390301-7	Lock Ø5,75 X 50Mm	2	55	5136011887-1	Left Central Fixation Plate Of Platform	2
25	6020010414-8	Pressure Washer 3/4" Media Industry	4	55	5136011888-0	Right Central Fixation Plate Of Platform	2
26	6020310770-9	Hexagonal Nut 3/4" 10F Unc Gr5 Ch.1.7/32" Height 18,50Mm	4	56	5440010797-4	Lateral Right Platform Complete Sla-3001	1
27	6020311002-5	Hexagonal Head Bolt 1/4" X 3/4" 20F Unc1A Gr2 Rt	2	56	5440010796-6	Lateral Left Platform Complete Sla-3001	1
28	6020230100-5	Seal For Container For Instruction Manual	1	57	5440010799-0	Complete Platform Sla-2500	1
29	6020050642-4	Container For Instruction Manual	1	57	5440010798-2	Complete Platform Sla-3000	1
30	6020010402-4	Pressure Washer 1/4" Media Industry	4				
31	6020310742-3	Hexagonal Nut 1/4" 20F Unc Gr5 Ch.7/16" Height 5,50Mm	4				
32	6020310746-6	Hexagonal Nut 3/8" 16F Unc Gr5 Ch.9/16" Height 8,50Mm	17				
33	6020010406-7	Pressure Washer 3/8" Media Industry	9				
34	5232010481-5	Shaft Of Chain Cap Fixation	1				

• Complete Main Frame Without Finishing - Transmission

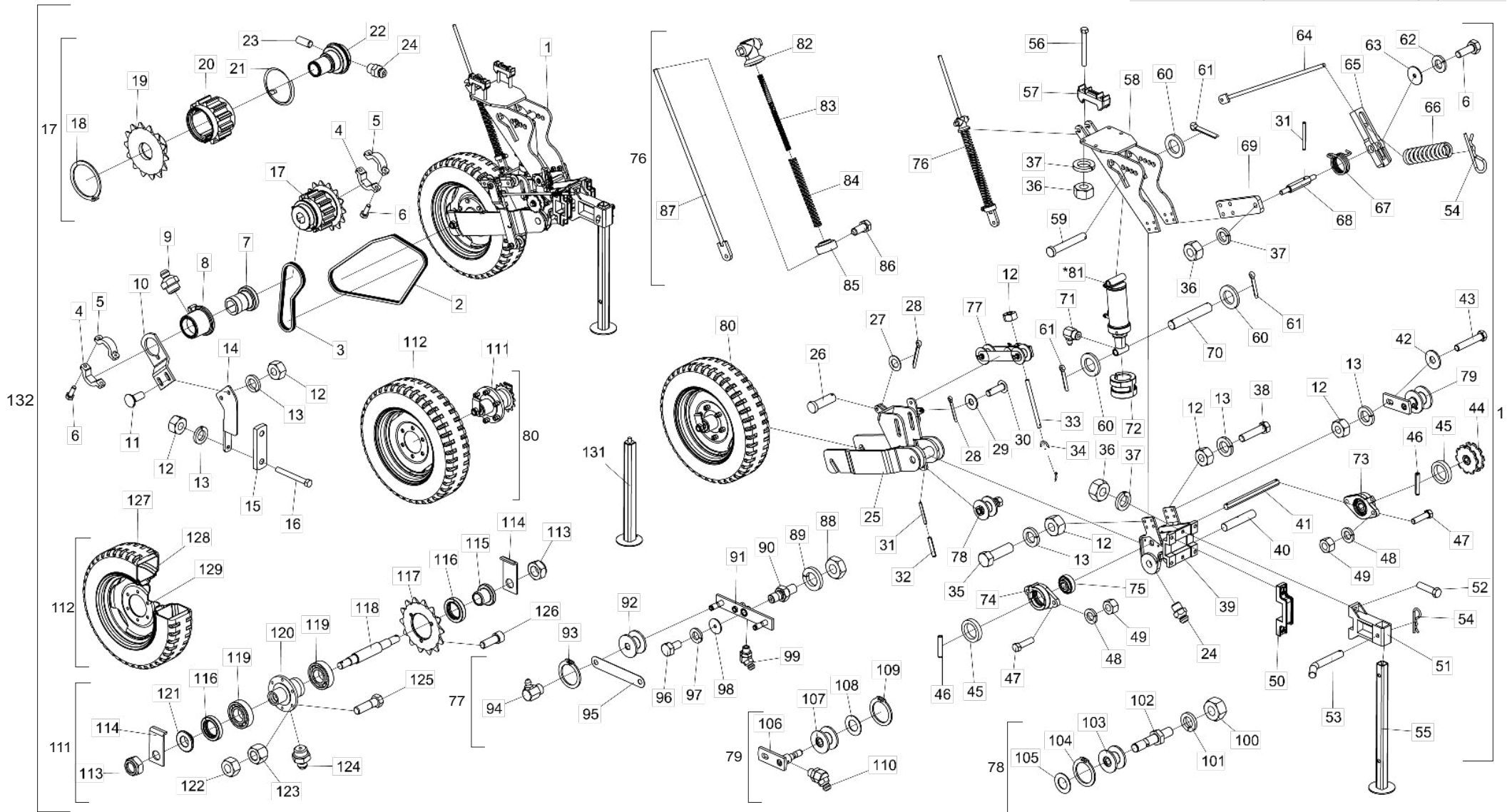


• Table Complete Main Frame Without Finishing - Transmission

Item	Code	Product description	All	Sla 2500	Sla 3000	Item	Code	Product description	All	Sla 2500	Sla 3000
1	6020310746-6	Hexagonal Nut 3/8" 16F Unc Gr5 Ch.9/16" Height 8,50Mm	8			35	5268010144-2	Complete Right Stretcher	1		
2	6020010406-7	Pressure Washer 3/8" Media Industry	8			35	5268010145-0	Complete Left Stretcher	1		
3	6020311032-7	Hexagonal Head Bolt 3/8" X 1.1/2" 16F Unc1A Gr2 Rt	4			36	5558010050-2	Right Lock Of Complete Rossette	1		
4	5232010471-8	Hexagonal Shaft 1.1/4" X 1028Mm		2		36	5558010051-0	Left Lock Of Complete Rossette	1		
4	5232010231-6	Hexagonal Shaft 1.1/4" X 1482Mm			2	37	6020310760-1	Hexagonal Nut 5/8" 11F Unc Gr5 Ch.1.1/16" Height 15,00Mm	1		
5	5232010757-1	Hexagonal Shaft 5/8" X 2246Mm		1		38	6020010412-1	Pressure Washer 5/8" Media Industry	1		
5	5232010758-0	Hexagonal Shaft 5/8" X 3144Mm			1	39	5268010132-9	Spare Chain Stretcher	1		
6	6020312020-9	Hexagonal Head Bolt 5/16" X 3/4" 18F Unc1A Gr5 Rt	2			40	6020350849-5	Stretcher Pulley	2		
7	6020030079-6	Traction Bushing	2			41	5024010059-0	Smooth Washer Ø16,5 X Ø29 X 1,21Mm	1		
8	5080010204-6	Bushing Of Ø1.3/8" W/Hexagonal Hole For Shaft 5/8"	2			42	6020010252-8	Retaining Oring	4		
9	6020312017-9	French Head Bolt 5/16" X 1.1/4" 18F Unc1A Gr2 Rp	4			43	6020130112-5	Grease Fitting 1/8"	1		
10	6020250412-7	Steel Plate Bearing 03.52 Mst	4			44	5024010239-8	Smooth Washer Ø16,5 X Ø37 X 3,00Mm	1		
11	6020350081-8	Bearing Gy-1100 Krrb	2			45	6020310179-4	Hexagonal Head Bolt 5/8" X 1.3/4" 11F Unc1A Gr5 Rt	1		
12	5136010746-2	Fixation Plate Of Seed Shaft	2			46	5232010472-6	Stretcher Shaft Sla 2500	1		
13	5024010073-5	Smooth Washer Ø8,5 X Ø20 X 2,00Mm	4			47	5024010059-0	Smooth Washer Ø16,5 X Ø29 X 1,21Mm	4		
14	6020010404-0	Pressure Washer 5/16" Media Industry	4			48	5232010523-4	Stretcher Shaft	2		
15	6020310744-0	Hexagonal Nut 5/16" 18F Unc Gr5 Ch.1/2" Height 6,50Mm	4			49	5506010014-3	Roller Of Stretcher	4		
16	6020310179-4	Hexagonal Head Bolt 5/8" X 1.3/4" 11F Unc1A Gr5 Rt	4			50	6020010250-1	Retaining Oring	2		
17	5024010239-8	Smooth Washer Ø16,5 X Ø37 X 3,00Mm	8			51	6020130100-1	Grease Fitting 1/4"	2		
18	6020010412-1	Pressure Washer 5/8" Media Industry	8			52	6020310738-5	Hexagonal Nut 5/8" 11F Unc Gr5 Ch.1.1/16" Height 11,00Mm	1		
19	6020310760-1	Hexagonal Nut 5/8" 11F Unc Gr5 Ch.1.1/16" Height 15,00Mm	7			53	5232010054-2	Right Stretcher Shaft	1		
20	5256010091-4	Gear 16 Teeth	1			53	5232010055-0	Left Shaft Of Stretcher	1		
21	6020310485-8	Heavy Elastic Pin Ø6 X 36Mm	3			54	6020250219-1	Torsion Helical Spring Ø38 X Ø46 X 67Mm	1		
22	6020050233-0	Chain (Asa 40) 159 Links + Amendment	1			54	6020250218-3	Torsion Helical Spring Ø38 X Ø46 X 67Mm	1		
23	5460010004-4	Shaft Clamp Hexagonal 1.1/4" Hole With Thread	8			55	5268010146-9	Spare Chain Stretcher	1		
24	5460010003-6	Shaft Clamp Hexagonal 1.1/4" With Hole Passante	8			56	5136020627-4	Front Plate Of Stretcher	1		
25	6020310016-0	Hexagonal Head Bolt 1/4" X 3/4" 20F Unc1A Gr5 Rt	16			57	6020010252-8	Retaining Oring	3		
26	5200010005-6	Rossette	2			58	6020130112-5	Grease Fitting 1/8"	2		
27	5256010057-4	Complete Gear 20/25 Teeth With Hexagonal 1.1/4"	1			59	5327010001-1	Complete Movement Indicator	2		
27	5256010056-6	Complete Gear 20/31 Teeth With Hexagonal 1.1/4"	1			60	6020310038-0	Hexagonal Head Bolt 5/16" X 1" 18F Unc1A Gr5 Rt	4		
28	6020050806-0	Chain (Asa 40) 103 Links + Amendment	1			61	6020170019-4	Movement Indicator	4		
28	6020055406-2	Chain (Asa 40) 106 Links + Reduction	1			62	6020010404-0	Pressure Washer 5/16" Media Industry	4		
29	6020311031-9	Hexagonal Head Bolt 3/8" X 1.1/4" 16F Unc1A Gr2 Rt	4			63	6020310744-0	Hexagonal Nut 5/16" 18F Unc Gr5 Ch.1/2" Height 6,50Mm	4		
30	5368010422-7	Sleeve Bearing With Self Compensation Gy1100 Krrb De Ø1"	4			64	5432010052-9	Lock Pin Of Trigger	1		
31	5368010499-5	Fixation Bearing	4			65	5558050016-0	Lock Of Rossette	1		
32	5268010135-3	Complete Chain Stretcher	1			66	6020010410-5	Pressure Washer 1/2" Media Industry	1		
33	5268010202-3	Complete Chain Stretcher	1			67	6020310754-7	Hexagonal Nut 1/2" 12F W Gr5 Ch.7/8" Height 12,00Mm	1		
34	5268010206-6	Complete Chain Stretcher	2			68	5460010007-9	Complete Shaft Of Clamp	8		

• Complete Main Frame Without Finishing - Wheel Support

The Wheel Support is made up of all the parts listed in this list, however when sold complete item 131 will not accompany it



* Item 42 - See page 12

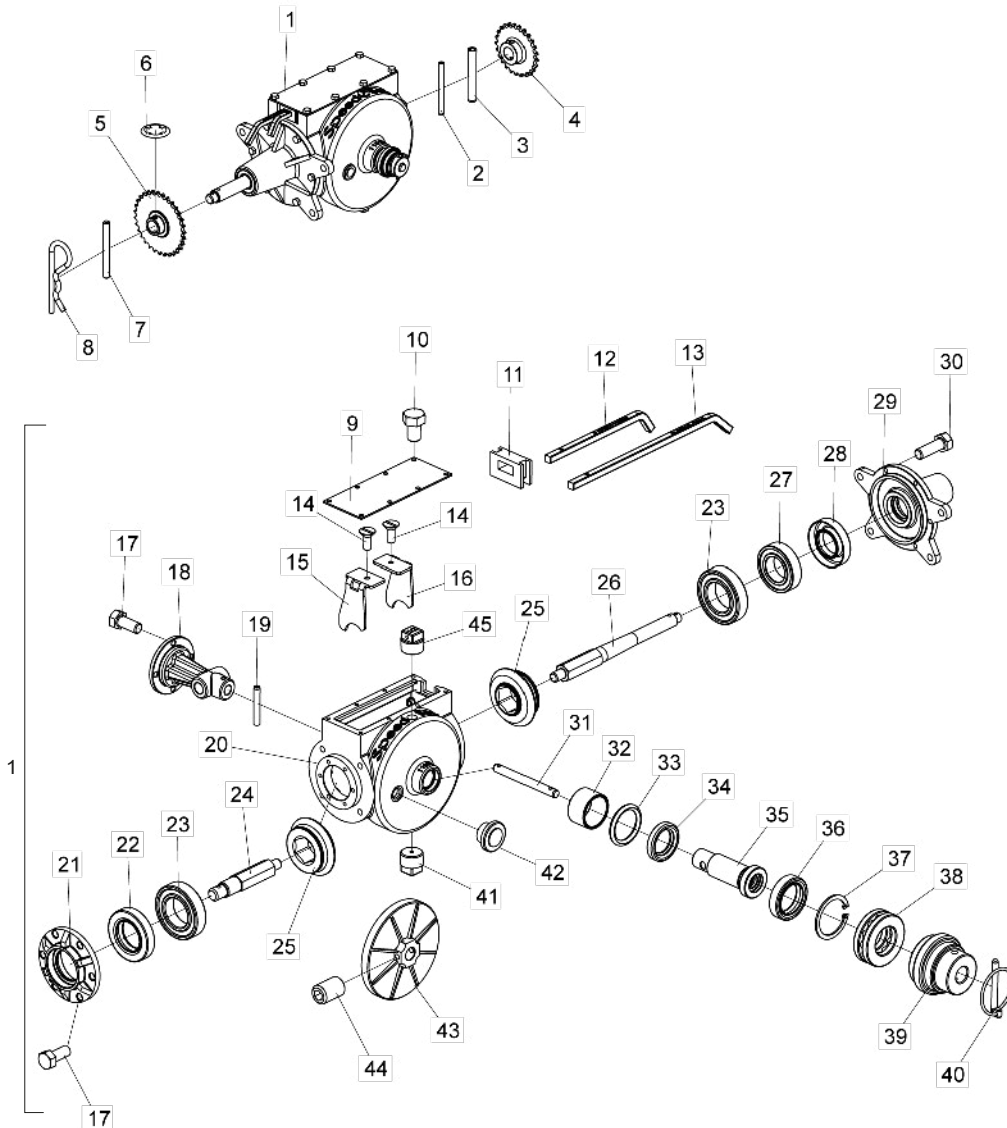
• Table Complete Main Frame Without Finishing - Wheel Support

Item	Code	Product description	All	Left	Right	Item	Code	Product description	All	Left	Right
1	5530011494-5	Complete Left Support Of Wheel		1		31	6020310472-6	Heavy Elastic Pin Ø6 X 55Mm	4		
1	5530011495-3	Complete Right Support Of Wheel			1	32	6020310510-2	Heavy Elastic Pin Ø10 X 55Mm	2		
2	6020050800-1	Chain 2050 Of 61 Links + Amendment	1			33	5296010032-8	Regulator Spindle Of Wheel Support	2		
3	6020050801-0	Chain 2050 Of 30 Links + Reduction	1			34	6020250317-1	Helical Spring Ø23 X Ø31 X 88Mm	2		
4	5460010003-6	Shaft Clamp Hexagonal 1.1/4" With Hole Passante	2			35	6020317427-9	Hexagonal Head Bolt 1/2" X 1.3/4" 12F W Gr5 Rt	8		
5	5460010004-4	Shaft Clamp Hexagonal 1.1/4" Hole With Thread	2			36	6020310760-1	Hexagonal Nut 5/8" 11F Unc Gr5 Ch.1.1/16" Height 15,00Mm	22		
6	6020310016-0	Hexagonal Head Bolt 1/4" X 3/4" 20F Unc1A Gr5 Rt	5			37	6020010412-1	Pressure Washer 5/8" Media Industry	22		
7	5080010041-8	Bushing Of Cube	1			38	6020312060-8	Hexagonal Head Bolt 1/2" X 2.1/4" 12F W Gr5 Rp	6		
8	5204100009-0	Ratchet Shaft Hub	1			39	5252010093-8	Support Hitch Sla-P	2		
9	6020130108-7	Grease Fitting 1/8"		1		40	5432010080-4	Flat Pin Ø1.1/2" X 200Mm	2		
10	5530470039-3	Shaft Support	1			41	5232010393-2	Double Gear Shaft	2		
11	6020311174-9	French Head Bolt 1/2" X 1.1/4" 12F W Gr2 Rt	2			42	5024010068-9	Smooth Washer Ø13,3 X Ø35,5 X 3,00Mm	2		
12	6020310754-7	Hexagonal Nut 1/2" 12F W Gr5 Ch.7/8" Height 12,00Mm		14	14	43	6020311058-0	Hexagonal Head Bolt 1/2" X 2.3/4" 12F W Gr5 Rp	2		
13	6020010410-5	Pressure Washer 1/2" Media Industry	12			44	5256010086-8	Double Gear	2		
14	5530010211-4	Left Support Of Ratchet		1		45	5024010308-4	Smooth Washer Ø23 X Ø32 X 6,30Mm	4		
14	5530010437-0	Right Support Of Ratchet			1	46	6020310488-2	Heavy Elastic Pin Ø6 X 32Mm	4		
15	5136020318-6	Support Plate	1			47	6020311029-7	Hexagonal Head Bolt 3/8" X 1.1/2" 16F Unc1A Gr5 Rt	8		
16	6020311066-1	Hexagonal Head Bolt 1/2" X 4.1/2" 12F W Gr5 Rp	2			48	6020010406-7	Pressure Washer 3/8" Media Industry	8		
17	5132020012-5	Right Complete Hitch Ratchet		1		49	6020310746-6	Hexagonal Nut 3/8" 16F Unc Gr5 Ch.9/16" Height 8,50Mm	8		
17	5132020013-3	Left Complete Hitch Ratchet			1	50	6010601512-3	Clamp	4		
18	6020010294-3	Retaining Ring E-50	2			51	6010601553-0	Support - Sla	2		
19	5132020006-0	Hitch Ratchet For Seed Fertilizer	2			52	6020312075-6	Hexagonal Head Bolt 5/8" X 2.1/2" 11F Unc1A Gr5 Rp Rosca Direita	12		
20	5534010006-8	Relief Drum	2			53	5432020032-9	Pin "L" Ø3/4" X 94Mm	2		
21	5400010044-0	Right Helical Spring Of Ø63 X 55Mm		1		54	6020390308-4	Lock Nma - Type "R" Ø4,5 X 80Mm	4		
21	5400010043-1	Left Helical Spring Of Ø63 X 55Mm			1	55	5530010648-9	Support Of 770Mm	2		
22	5232011652-0	Sliding Shaft	2			56	6020311082-3	Hexagonal Head Bolt 5/8" X 5.1/2" 11F Unc1A Gr5 Rp	8		
23	6020310114-0	Allen Bolt S/C 1/2" X 1.1/4" 12F W Cl12.9 Rt (Phosphated)	2			57	6010601783-5	Clamp 70Mm	4		
24	6020130100-1	Grease Fitting 1/4"	6			58	5530011496-1	Hitch Support Of Piston	2		
25	5530010644-6	Wheel Left Support Sla-P		1		59	5432010081-2	Pin Of Hitch	2		
25	5530010645-4	Right Support Of Wheel Sla-P			1	60	5024010039-5	Smooth Washer Ø26,2 X Ø44 X 4,75Mm	6		
26	5432030173-7	Pin Ø5/8" X 46Mm	2			61	6020050114-7	Cotterpin 1/4" X 1.1/2"	6		
27	5024010059-0	Smooth Washer Ø16,5 X Ø29 X 1,21Mm	2			62	6020010402-4	Pressure Washer 1/4" Media Industry	2		
28	6020050101-5	Cotterpin 1/8" X 1"	4			63	5024010360-2	Smooth Washer Ø7 X Ø35 X 2,00Mm	2		
29	5024010075-1	Smooth Washer Ø10,3 X Ø25 X 2,00Mm	2			64	5566010079-1	Complete Disarm Rod Of Ratchet	2		
30	6020311238-9	French Head Pin Ø9,8 X 28,5Mm	2			65	5308010002-3	Ratchet Handle	2		

• Table Complete Main Frame Without Finishing - Wheel Support

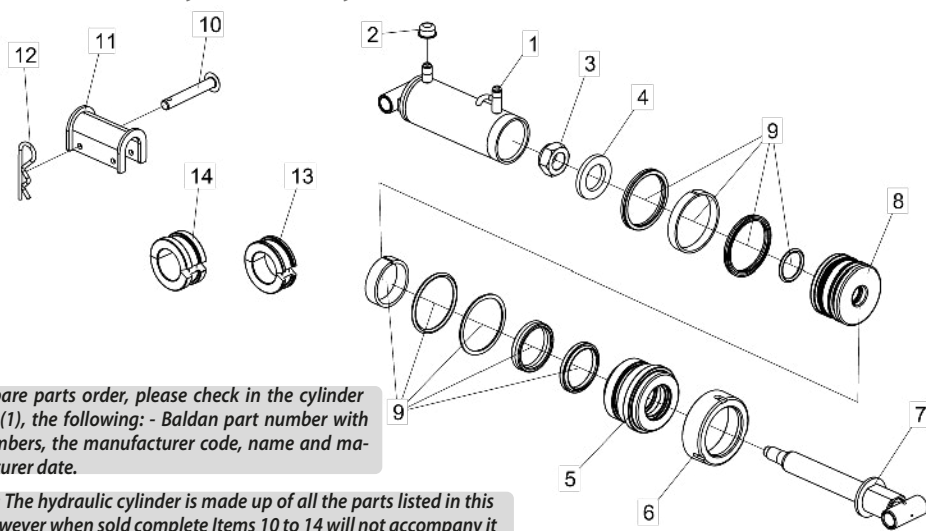
Item	Code	Product description	All	Left	Right	Item	Code	Product description	All	Left	Right
66	6020250311-2	Helical Spring Ø13,5 X Ø22 X 81Mm Internal	2			98	5024010360-2	Smooth Washer Ø7 X Ø35 X 2,00Mm	2		
67	6020250379-1	Left Torsion Helical Spring		1		99	6020130104-4	Grease Fitting 1/4"	2		
67	6020250380-5	Right Torsion Helical Spring			1	100	6020310760-1	Hexagonal Nut 5/8" 11F Unc Gr5 Ch.1.1/16" Height 15,00Mm	2		
68	5232010392-4	Hook Shaft	2			101	6020010412-1	Pressure Washer 5/8" Media Industry	2		
69	5136011101-0	Plate Of Lock Of Ratchet	2			102	5232010708-3	Stretcher Shaft	2		
70	5432010082-0	Flat Pin Of Shank	2			103	6020350848-7	Stretcher Pulley	2		
71	6020130112-5	Grease Fitting 1/8"	2			104	6020010252-8	Retaining Oring	2		
72	5348050009-8	Complete Limiter Of Ø42 X 49,5Mm	2			105	5024010059-0	Smooth Washer Ø16,5 X Ø29 X 1,21Mm	2		
73	5368010423-5	Sleeve Bearing With Self Compensation F110867-10 Krrhexagonal 3/4"	4			106	5268010187-6	Spare Chain Stretcher	2		
74	5368010499-5	Fixation Bearing	4			107	6020350848-7	Stretcher Pulley	2		
75	6020350104-0	Bearing F-110867-10 Hexagonal Hole 3/4"	4			109	6020010252-8	Retaining Oring	2		
76	5566010088-0	Complete Spring Rod	2			108	5024010059-0	Smooth Washer Ø16,5 X Ø29 X 1,21Mm	2		
77	5268010184-1	Complete Right Chain Stretcher		1		110	6020130104-4	Grease Fitting 1/4"	2		
77	5268010217-1	Complete Left Chain Stretcher			1	112	5498100036-9	Complete Wheel 650 X 16 X 10 Ply Military Tyre	2		
78	5268010183-3	Complete Chain Stretcher	2			111	5204010244-2	Complete Wheel Hub	2		
79	5268010186-8	Complete Chain Stretcher	2			113	6020310814-4	Self-Locking Nut With Nylon 1" 14F Uns Gr5 Ch.1.1/2" H.20,00Mm	4		
80	5498010052-1	Complete Wheel 650 X 16 X 10 Ply	2			114	5558010079-0	Lock "L" Of Shaft	4		
*81	6020055743-6	Hydraulic Cylinder "O.D" Ø1.5/8" X Ø3.5/8" X 126Mm(Course) X 419Mm(Closed)		1		115	5080010352-2	Backrest Bushing	2		
*81	6020055742-8	Hydraulic Cylinder "O.D" Ø1.5/8" X Ø3.1/4" X 126Mm(Course) X 419Mm(Closed)			1	116	6020350201-2	Retainer Ø40,00 X Ø62,00 X 12,00Mm	4		
82	6010601280-9	Upper Lock Of Triple Spring	2			117	5256030004-2	Gear 14 Teeth With Central Hole Ø73,2Mm	2		
83	6020250297-3	Helical Spring Ø17,5 X Ø25,5 X 400Mm Internal	2			118	5232010453-0	Wheel Hub Shaft	2		
84	6020250298-1	Helical Spring Ø30,5 X Ø41,5 X 400Mm	2			119	6020350020-6	Bearing 6206	4		
85	5530016364-4	Lower Support Of Triple Spring	2			120	5204010245-0	Wheel Hub	2		
86	6020310349-5	Hexagonal Head Bolt M12 X 1,75 X 30Mm Cl8.8 R Wth Point	2			121	5080010351-4	Small Back Bushing	2		
87	5566040141-4	Rod Spring	2			122	6020310736-9	Hexagonal Nut 9/16" 18F Unf Gr5 Ch.7/8" Height 12,50Mm	12		
88	6020310738-5	Hexagonal Nut 5/8" 11F Unc Gr5 Ch.1.1/16" Height 11,00Mm	2			123	6020310816-0	Double Conic Hexagonal Nut Of Wheel 9/16" 18F Unf Gr5 Ch.7/8" Height 19,00Mm	12		
89	6020010412-1	Pressure Washer 5/8" Media Industry	2			124	6020130108-7	Grease Fitting 1/8"	2		
90	5232010448-3	Stretcher Shaft 61,5Mm	2			125	6020310998-1	Hexagonal Head Bolt 9/16" X 2" 18F Unf1A Gr5 Rp	12		
91	5268010185-0	Right Chain Stretcher		1		126	6020310098-4	Allen Bolt C/C 5/16" X 7/8" 18F Unc1A Cl12.9 Rt (Phosphated)	6		
91	5268010218-0	Left Chain Stretcher			1	127	6020310399-1	Agricultural Military Tyre 650 X 16 X 10 Ls Bl	2		
92	6020350848-7	Stretcher Pulley	4			128	6020050352-2	Inner Tube 650 X 16	2		
93	6020010252-8	Retaining Oring	4			129	6020350402-3	Rim 5,5" X 16" 16.392	2		
94	6020130112-5	Grease Fitting 1/8"	4			130	5460010007-9	Complete Shaft Of Clamp	2		
95	5136011100-1	Upper Plate Of Stretcher	2			131	5530010121-5	Support 609,5Mm	1		
96	6020311000-9	Hexagonal Head Bolt 1/4" X 1/2" 20F Unc1A Gr5 Rt	2			132	5530011587-9	Whell Left Support With Complete Transmission		1	
97	6020010402-4	Pressure Washer 1/4" Media Industry	2			132	5530011588-7	Right Support Of Wheel W/Transmissao			1

• Speed Box



Item	Code	Product description	All	Left - Fertilizer	Right - Seed
1	5092010054-3	Complete Left Speed Box		1	
1	5092010053-5	Complete Right Speed Box			1
2	6020311251-6	Heavy Elastic Pin Ø5 X 55Mm	1		
3	6020311252-4	Heavy Elastic Pin Ø8 X 55Mm	1		
4	5256010053-1	Gear 25 Teeth		1	
4	5256010052-3	Gear 20 Teeth			1
5	5256010054-0	Complete Gear 20/31 Teeth		1	
5	5256010058-2	Complete Gear 20/25 Teeth			1
6	6020010326-5	Retaining Oring	2		
7	5432010040-5	Fuse Pin Ø6 X 60Mm	1		
8	6020390308-4	Lock Nma - Type "R" Ø4,5 X 80Mm	1		
9	5538060003-9	Cover Of 100 X 250 X 3,00Mm	2		
10	6020311020-3	Hexagonal Head Bolt 5/16" X 1/2" 18F Unc1A Gr2 Rt	16		
11	6020030015-0	Protection Speed Box Protection With Hole	2		
12	5260040007-0	Numerical Regulating Shaft De 200Mm	2		
13	5260040006-1	Alphabetical Regulating Shaft De 299Mm	2		
14	6020312502-2	Bolt N°10 X 1/2" 24F Unc2A Gr2 Rt	4		
15	5554010015-1	Left Support	2		
16	5554010017-8	Right Support	2		
17	6020312020-9	Hexagonal Head Bolt 5/16" X 3/4" 18F Unc1A Gr5 Rt	20		
18	5538010085-0	Rear Cover	2		
19	6020310506-4	Heavy Elastic Pin Ø6 X 40Mm	2		
20	5112010011-8	Right Gear Box Housing		1	
20	5112010012-6	Left Gear Box Housing			1
21	5538010086-9	Front Cover Of Reduction Box	2		
22	6020350245-4	Retainer Ø30,00 X Ø52,00 X 10,00Mm	2		
23	6020350006-0	Bearing 6006 2Rs Ddu	4		
24	5232120183-0	Small Shaft Of Gear Box	2		
25	6020010999-9	Gear 21 Teeth	4		
26	5232120184-9	Small Shaft Of Gear Box	2		
27	6020350075-3	Bearing 6005 2Rs	2		
28	6020350204-7	Retainer Ø25,00 X Ø47,00 X 10,00Mm	2		
29	5538010093-1	Cover Of Reduction Box	2		
30	6020310038-0	Hexagonal Head Bolt 5/16" X 1" 18F Unc1A Gr5 Rt	12		
31	5232020209-4	Shaft Ø5/8" X 157Mm	2		
32	5080020804-9	Bushing Of Ø30 X Ø35 X 21Mm	2		
33	6020010022-3	O' Ring 2-114 N3006-90Nbr (15,54)	2		
34	6020350274-8	Retainer Ø15,90 X Ø25,40 X 4,50Mm	2		
35	5080010232-1	Bushing Of Ø25 X 100Mm	2		
36	6020350275-6	Retainer Ø30,00 X Ø43,00 X 9,50Mm	2		
37	6020010305-2	Retaining Ring I-42	2		
38	6020350086-9	Bearing Skf 51203	2		
39	5468010024-4	Shaft Handle	2		
40	6020390301-7	Lock Ø5,75 X 50Mm	2		
41	5081010012-2	Plug R.1/2 X 14 Npt	2		
42	6020430323-4	Oil Sight Plastic 1/2"	2		
43	5256060005-4	Crown Of Reduction Box	2		
44	6020317426-0	Allen Bolt S/C 1/2" X 3/4" 12F W C112.9 Rt (Phosphated)	4		
45	5081010013-0	Plug R.1/2 X 14 Npt W/Hole 3,00Mm	2		

• Main Frame Hydraulic Cylinder

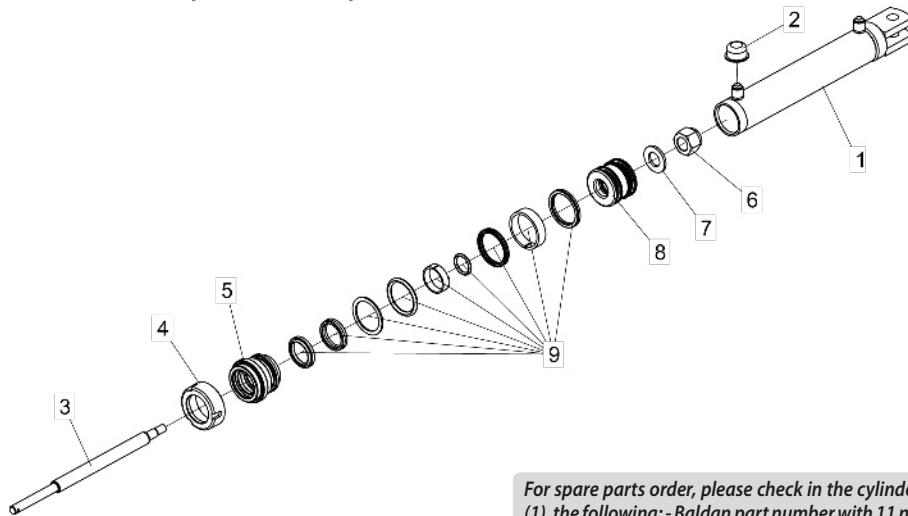


For spare parts order, please check in the cylinder jacket (1), the following: - Baldan part number with 11 numbers, the manufacturer code, name and manufacturer date.

NOTE: The hydraulic cylinder is made up of all the parts listed in this list, however when sold complete Items 10 to 14 will not accompany it

Item	Code	Product description	All	Right 3.1/4"	Left 3.5/8"
1	5144010632-7	Jacket Ø82,55 (3.1/4") X 281,4Mm		1	
1	5144010630-0	Jacket Ø92.15 (3.5/8") X 281.4Mm			1
2	6020390042-5	Plastic Cover Bt-21	2		
3	6020310814-4	Self-Locking Nut With Nylon 1" 14F Uns Gr5 Ch.1.1/2" H.20,00Mm	1		
4	5024010323-8	Smooth Washer Ø27 X Ø44,5 X 4,75Mm	1		
5	5152010014-1	Piston Coupling Ø41,10 X Ø90,5 X 66MM		1	
5	5152010043-5	Piston Coupling Ø41,70 X Ø91,93 X 66MM			1
6	5456050003-6	Piston Nut Ø3.3/4" - 12fpp		1	
6	5456010092-5	Nut Ø4.1/8" - 12Fpp - Un			1
7	5326011545-2	Piston Rod Ø41,27 (1.5/8") X 309Mm	1		
8	5236010012-0	Piston Plung 026,72 X 081,95 X 50MM		1	
8	5236010033-2	Piston Plung 026,72 X 091,78 X 50MM			1
9	6020190066-5	Repair Kit For Hydraulic Cylinders "D.A" 1.5/8" X 3.1/4"		1	
9	6020190060-6	Repair Kit For Hydraulic Cylinders "D.A" 1.5/8" X 3.5/8"			1
10	6020310421-1	French Head Pin Ø9,8 X 61Mm	1		
11	5558010319-6	Piston Lock Of Tyne Of Ø41,27 X 129Mm	1		
12	6020390294-0	Lock Nma - Type "R" Ø3,5 X 67Mm(Special)	1		
13	5348050006-3	Complete Limiter Of Ø42 X 25Mm	1		
14	5348010023-5	Complete Limiter Of 35Mm	1		

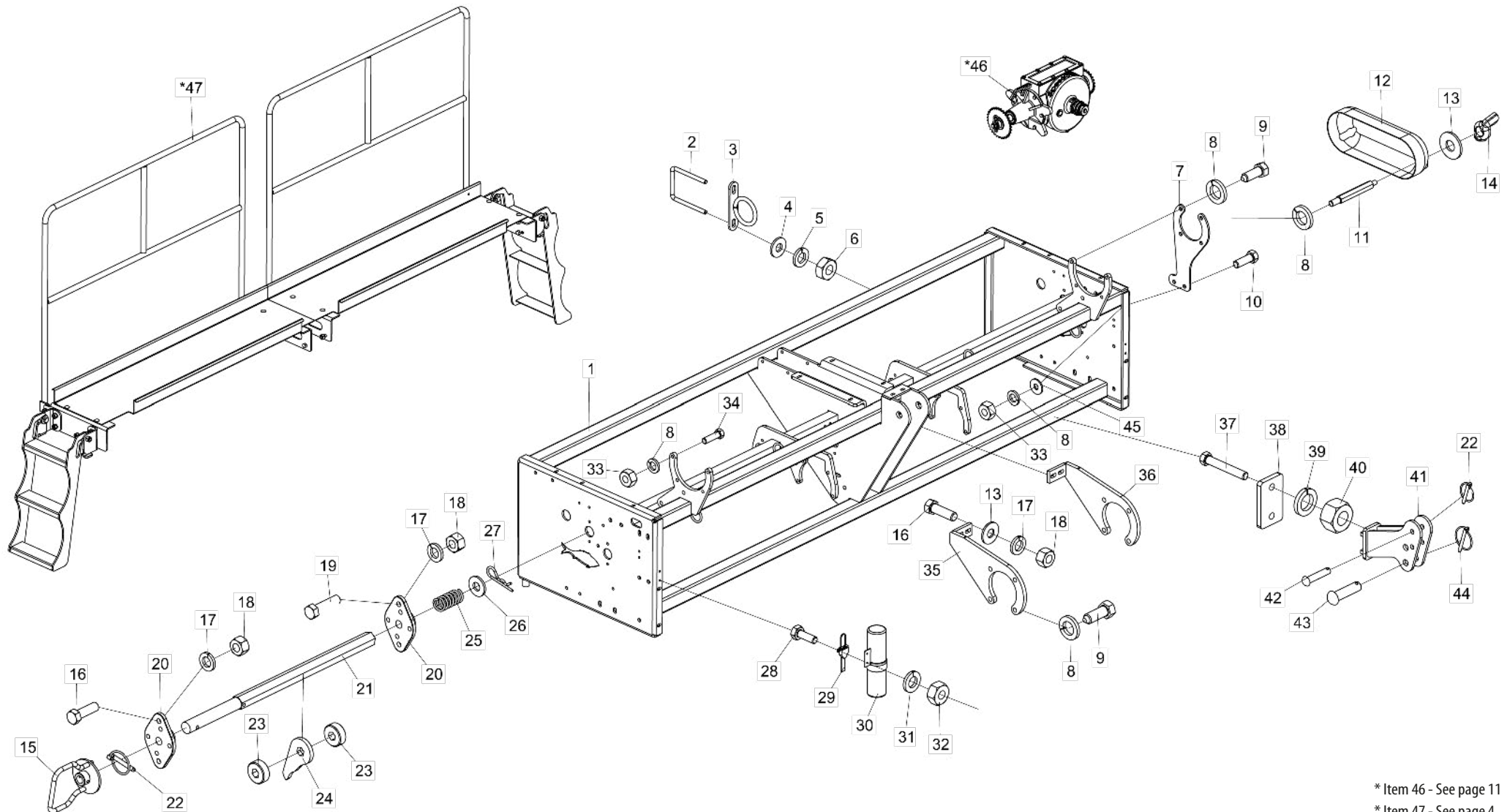
• Row Marker Hydraulic Cylinder



For spare parts order, please check in the cylinder jacket (1), the following: - Baldan part number with 11 numbers, the manufacturer code, name and manufacturer date.

Item	Code	Product description	All
1	5144040335-6	Jacket Ø50,80 (Ø2") X 399Mm	1
2	6020390042-5	Plastic Cover Bt-21	2
3	5326020261-4	Piston Rod Ø31,75(1.1/4") X 546Mm	1
4	5456050019-2	Nut Fron Piston	1
5	5152010024-9	Piston Coupling 2"	1
6	6020310802-0	Self-Locking Nut With Nylon 3/4" 16F Unf Gr5 Ch.1.1/8" H.22,50Mm	1
7	5024010336-0	Smooth Washer Ø19,5 X Ø35,5 X 3,00Mm	1
8	5236010017-0	Piston Plung 2"	1
9	6020190064-9	Repair Kit For Hydraulic Cylinders "D.A" 1.1/4" X 2"	2

• Complete Main Frame With Finishing 3000



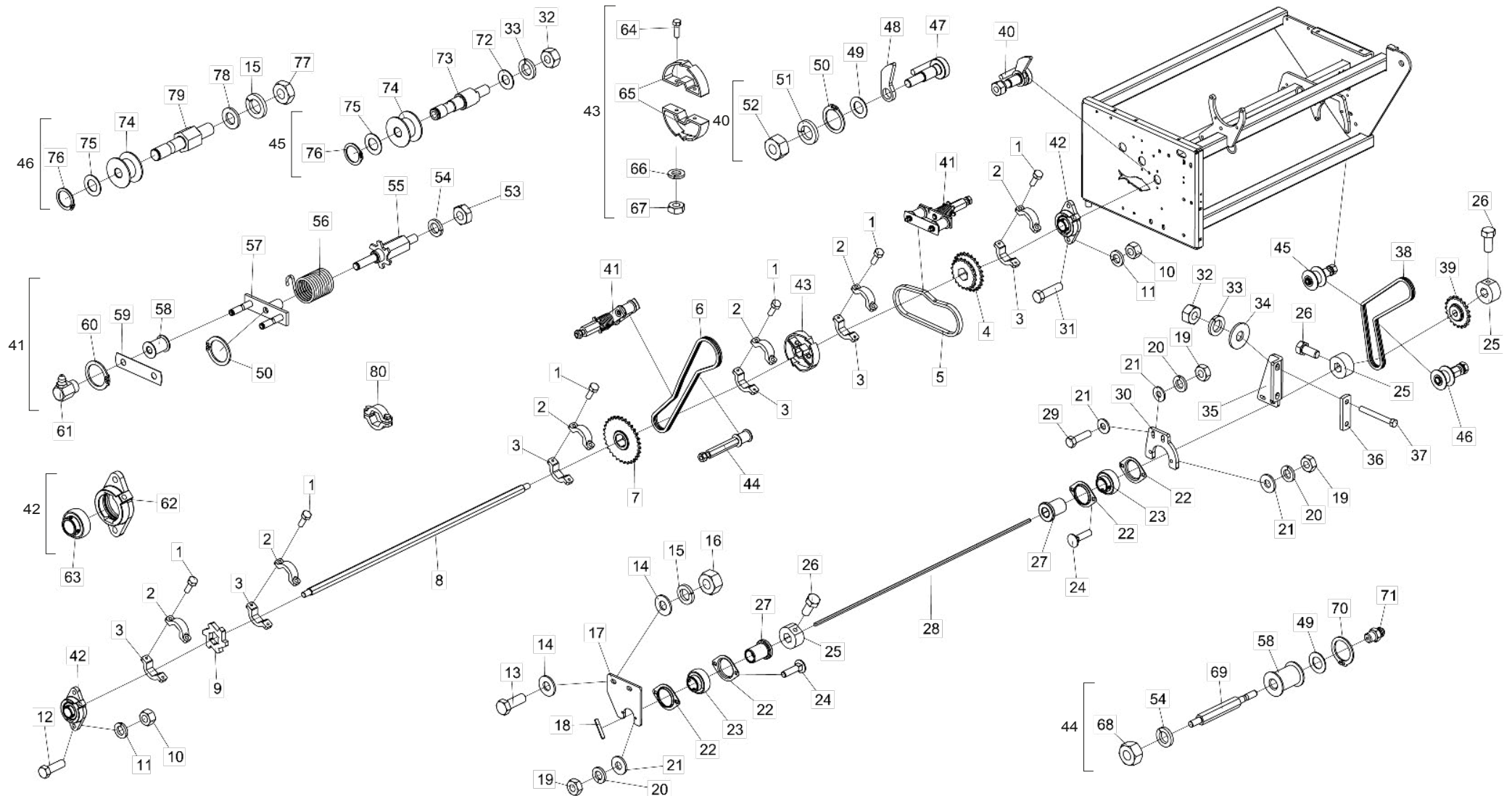
* Item 46 - See page 11

* Item 47 - See page 4

• Table Complete Main Frame With Finishing 3000

Item	Code	Product description	All	Item	Code	Product description	All
1	5404010151-1	Main Frame Sla 3000	1	27	6020390308-4	Lock Nma - Type "R" Ø4,5 X 80Mm	2
2	5068010066-4	Clamp Of 75 X 100 X 3/8"	4	28	6020311002-5	Hexagonal Head Bolt 1/4" X 3/4" 20F Unc1A Gr2 Rt	2
3	5530011497-0	Fixation Support Of Hoses (For Beam Of 70Mm)	4	29	6020230100-5	Seal For Container For Instruction Manual	1
4	5024010073-5	Smooth Washer Ø8,5 X Ø20 X 2,00Mm	8	30	6020050642-4	Container For Instruction Manual	1
5	6020010404-0	Pressure Washer 5/16" Media Industry	8	31	6020010402-4	Pressure Washer 1/4" Media Industry	2
6	6020310744-0	Hexagonal Nut 5/16" 18F Unc Gr5 Ch.1/2" Height 6,50Mm	8	32	6020310742-3	Hexagonal Nut 1/4" 20F Unc Gr5 Ch.7/16" Height 5,50Mm	2
7	5136011891-0	Fixation Plate	2	33	6020310754-7	Hexagonal Nut 1/2" 12F W Gr5 Ch.7/8" Height 12,00Mm	20
8	6020010410-5	Pressure Washer 1/2" Media Industry	36	34	6020317427-9	Hexagonal Head Bolt 1/2" X 1.3/4" 12F W Gr5 Rt	16
9	6020311049-1	Hexagonal Head Bolt 1/2" X 1.1/4" 12F W Gr5 Rt	14	35	5530010638-1	Left Support Of Speed Box	1
10	6020312001-2	Hexagonal Head Bolt 1/2" X 1.1/2" 12F W Gr5 Rt	4	36	5530010637-3	Right Support Of Of Speed Box	1
11	5232010396-7	Small Shaft Of Chain Protection Fixation	2	37	6020311103-0	Hexagonal Head Bolt 3/4" X 5" 10F Unc1A Gr5 Rp	4
12	60200506475	Protection Cap	2	38	5136010748-9	Fixation Plate Of Hitch	2
12	60200503417	Left Protection Cap Of Chain	2	39	6020010414-8	Pressure Washer 3/4" Media Industry	4
13	5024010075-1	Smooth Washer Ø10,3 X Ø25 X 2,00Mm	6	40	6020310770-9	Hexagonal Nut 3/4" 10F Unc Gr5 Ch.1.7/32" Height 18,50Mm	4
14	6020030104-0	Nut Ø3/8" 16F Unc	2	41	5252010118-7	Drawbar Hitch	2
15	5468010034-1	Handle Of Ratchet Disarm	2	42	5432120028-4	French Head Pin Ø3/4" X 86Mm	2
16	6020310026-7	Hexagonal Head Bolt 3/8" X 1.1/4" 16F Unc1A Gr5 Rt	8	43	5432120107-8	French Head Pin Ø28 X 95Mm	2
17	6020010406-7	Pressure Washer 3/8" Media Industry	12	44	6020390301-7	Lock Ø5,75 X 50Mm	2
18	6020310746-6	Hexagonal Nut 3/8" 16F Unc Gr5 Ch.9/16" Height 8,50Mm	12	45	5024010068-9	Smooth Washer Ø13,3 X Ø35,5 X 3,00Mm	4
19	6020311029-7	Hexagonal Head Bolt 3/8" X 1.1/2" 16F Unc1A Gr5 Rt	4	*46	5092010212-0	Complete Right Speed Box(Fertilizer)	1
20	5284010073-1	Flange Of Right Ratchet Disarm	2	*46	5092010211-2	Complete Left Speed Box(Fertilizer)	1
20	5284010061-8	Flange Of Left Ratchet Disarm	2	*46	5092010427-1	Complete Right Speed Box(Seed)	1
21	5232010685-0	Shaft Of Manual Ratchet Disarm 3/4"	2	*46	5092010428-0	Complete Left Speed Box(Seed)	1
22	6020390293-2	Lock Ø5,75 X 40Mm	4	*47	5440010798-2	Complete Platform Sla-3000	1
23	6020030669-7	Bushing Ø50 X 20Mm With Hexagonal Hole 3/4"	4				
24	5558010082-0	Manual Disarm Lock	2				
25	6020250489-5	Helical Spring Ø23,5 X Ø31,5 X 65Mm	2				
26	5024010007-7	Smooth Washer Ø20,3 X Ø46,5 X 4,75Mm	2				

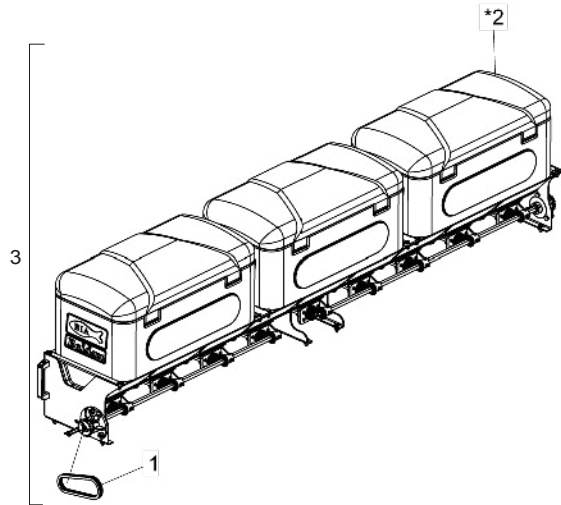
• Complete Main Frame With Finishing 3000 - Transmission



• Table Complete Main Frame With Finishing 3000 - Transmission

Item	Code	Product description	All	Item	Code	Product description	All
1	6020310016-0	Hexagonal Head Bolt 1/4" X 3/4" 20F Unc1A Gr5 Rt	24	41	5268010144-2	Complete Right Stretcher	2
2	5460010003-6	Shaft Clamp Hexagonal 1.1/4" With Hole Passante	12	41	5268010145-0	Complete Left Stretcher	2
3	5460010004-4	Shaft Clamp Hexagonal 1.1/4" Hole With Thread	12	42	5368010422-7	Sleeve Bearing With Self Compensation Gy1100 Krrb De Ø1"	4
4	5256010057-4	Complete Gear 20/25 Teeth With Hexagonal 1.1/4"	2	43	5327010001-1	Complete Movement Indicator	2
5	6020050802-8	Chain (Asa 40) 69 Links + Amendment	2	44	5268010206-6	Complete Chain Stretcher	2
6	6020055406-2	Chain (Asa 40) 106 Links + Reduction	2	45	5268010193-0	Complete Chain Stretcher Sla	2
7	5256010056-6	Complete Gear 20/31 Teeth With Hexagonal 1.1/4"	2	46	5268010194-9	Complete Chain Stretcher Sla	2
8	5232010231-6	Hexagonal Shaft 1.1/4" X 1482Mm	2	47	5432010052-9	Lock Pin Of Trigger	2
9	5200010005-6	Rossette	2	48	5558050016-0	Lock Of Rossette	2
10	6020310746-6	Hexagonal Nut 3/8" 16F Unc Gr5 Ch.9/16" Height 8,50Mm	8	49	5024010059-0	Smooth Washer Ø16,5 X Ø29 X 1,21Mm	4
11	6020010406-7	Pressure Washer 3/8" Media Industry	8	50	6020010252-8	Retaining Oring	2
12	6020310026-7	Hexagonal Head Bolt 3/8" X 1.1/4" 16F Unc1A Gr5 Rt	4	51	6020010410-5	Pressure Washer 1/2" Media Industry	2
13	6020310179-4	Hexagonal Head Bolt 5/8" X 1.3/4" 11F Unc1A Gr5 Rt	4	52	6020310754-7	Hexagonal Nut 1/2" 12F W Gr5 Ch.7/8" Height 12,00Mm	2
14	5024010239-8	Smooth Washer Ø16,5 X Ø37 X 3,00Mm	8	53	6020310738-5	Hexagonal Nut 5/8" 11F Unc Gr5 Ch.1.1/16" Height 11,00Mm	4
15	6020010412-1	Pressure Washer 5/8" Media Industry	6	54	6020010412-1	Pressure Washer 5/8" Media Industry	6
16	6020310760-1	Hexagonal Nut 5/8" 11F Unc Gr5 Ch.1.1/16" Height 15,00Mm	4	55	5232010054-2	Right Stretcher Shaft	2
17	5136010746-2	Fixation Plate Of Seed Shaft	2	55	5232010055-0	Left Shaft Of Stretcher	2
18	6020310485-8	Heavy Elastic Pin Ø6 X 36Mm	2	56	6020250219-1	Torsion Helical Spring Ø38 X Ø46 X 67Mm	2
19	6020310744-0	Hexagonal Nut 5/16" 18F Unc Gr5 Ch.1/2" Height 6,50Mm	12	56	6020250218-3	Torsion Helical Spring Ø38 X Ø46 X 67Mm	2
20	6020010404-0	Pressure Washer 5/16" Media Industry	12	57	5268010146-9	Spare Chain Stretcher	4
21	5024010073-5	Smooth Washer Ø8,5 X Ø20 X 2,00Mm	16	58	5506010014-3	Roller Of Stretcher	8
22	6020250412-7	Steel Plate Bearing 03.52 Mst	8	59	5136020627-4	Front Plate Of Stretcher	4
23	6020350081-8	Bearing Gy-1100 Krrb	4	60	6020010252-8	Retaining Oring	12
24	6020312017-9	French Head Bolt 5/16" X 1.1/4" 18F Unc1A Gr2 Rp	8	61	6020130112-5	Grease Fitting 1/8"	4
25	6020030079-6	Traction Bushing	5	62	5368010499-5	Fixation Bearing	4
26	6020312020-9	Hexagonal Head Bolt 5/16" X 3/4" 18F Unc1A Gr5 Rt	5	63	6020350081-8	Bearing Gy-1100 Krrb	4
27	5080010204-6	Bushing Of Ø1.3/8" W/Hexagonal Hole For Shaft 5/8"	4	64	6020310038-0	Hexagonal Head Bolt 5/16" X 1" 18F Unc1A Gr5 Rt	4
28	5232010386-0	Hexagonal Shaft 5/8" X 1625Mm	1	65	6020170019-4	Movement Indicator	4
28	5232010387-8	Hexagonal Shaft 5/8" X 1439Mm	1	66	6020010404-0	Pressure Washer 5/16" Media Industry	4
29	6020311023-8	Hexagonal Head Bolt 5/16" X 1.1/4" 18F Unc1A Gr5 Rt	4	67	6020310744-0	Hexagonal Nut 5/16" 18F Unc Gr5 Ch.1/2" Height 6,50Mm	4
30	5136011104-4	Plate Of Bearing Support	2	68	6020310760-1	Hexagonal Nut 5/8" 11F Unc Gr5 Ch.1.1/16" Height 15,00Mm	2
31	6020311029-7	Hexagonal Head Bolt 3/8" X 1.1/2" 16F Unc1A Gr5 Rt	4	69	5232010523-4	Stretcher Shaft	2
32	6020310754-7	Hexagonal Nut 1/2" 12F W Gr5 Ch.7/8" Height 12,00Mm	6	70	6020010250-1	Retaining Oring	2
33	6020010410-5	Pressure Washer 1/2" Media Industry	6	71	6020130100-1	Grease Fitting 1/4"	2
34	5024010068-9	Smooth Washer Ø13,3 X Ø35,5 X 3,00Mm	4	72	5024010026-3	Smooth Washer Ø13 X Ø26,5 X 1,21Mm	2
35	5472010302-0	Support Reinforcement Of Bearing	2	73	5232010404-1	Stretcher Shaft Sla	2
36	5136020318-6	Support Plate	2	74	6020350849-5	Stretcher Pulley	6
37	6020311066-1	Hexagonal Head Bolt 1/2" X 4.1/2" 12F W Gr5 Rp	4	75	5024010059-0	Smooth Washer Ø16,5 X Ø29 X 1,21Mm	6
38	6020050294-1	Chain (Asa 40) 63 Links + Amendment	2	76	6020010252-8	Retaining Oring	6
39	5256010060-4	Gear 20 Teeth For Shaft 5/8"	2	77	6020310833-0	Hexagonal Nut 5/8" 11F Esq Unc Gr5 Ch.1.1/16" Height 11,00Mm	2
40	5558010050-2	Right Lock Of Complete Rossette	1	78	5024010154-5	Smooth Washer Ø16 X Ø29 X 3,00Mm	2
40	5558010051-0	Left Lock Of Complete Rossette	1	79	5232010405-0	Stretcher Shaft Sla	2
				80	5460010007-9	Complete Shaft Of Clamp	12

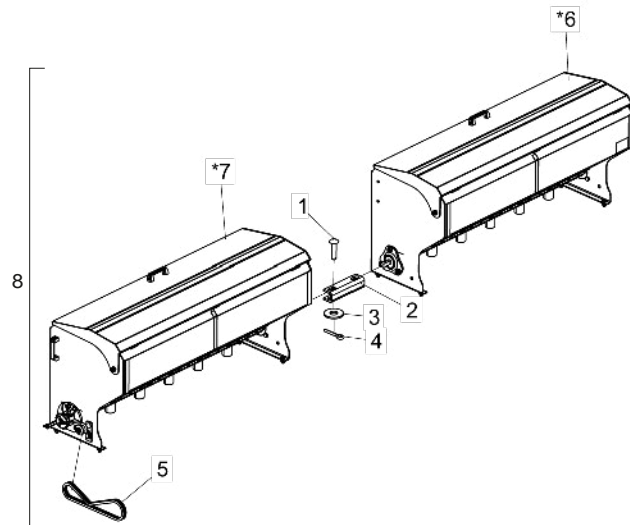
• Complete Fertilizer Plastic Hopper



* Item 2 - See page 17

Item	Code	Product description	All			
			Sla-Air 2500 Without Finishing	Sla-Air 3000 With Finishing	Sla-Air 3000 Without Finishing	
1	6020050813-3	Chain (Asa 40) 51 Links + Amendment		1	2	1
*2	5208010794-3	Complete Plastic Fertilizer Hopper Sla 2500 Precision	1			
*2	5208010796-0	Complete Plastic Fertilizer Hopper Sla-3000 Precision(With Finishing)		1		
*2	5208010802-8	Complete Plastic Fertilizer Hopper Sla-3000 Precision((Without Finishing)			1	
3	5208012053-2	Complete Plastic Fertilizer Hopper Sla-Air 2501	1			
3	5208012036-2	Complete Plastic Fertilizer Hopper Sla-Air 3000(With Finishing)		1		
3	5208012037-0	Complete Plastic Fertilizer Hopper Sla-Air 3000((Without Finishing)			1	

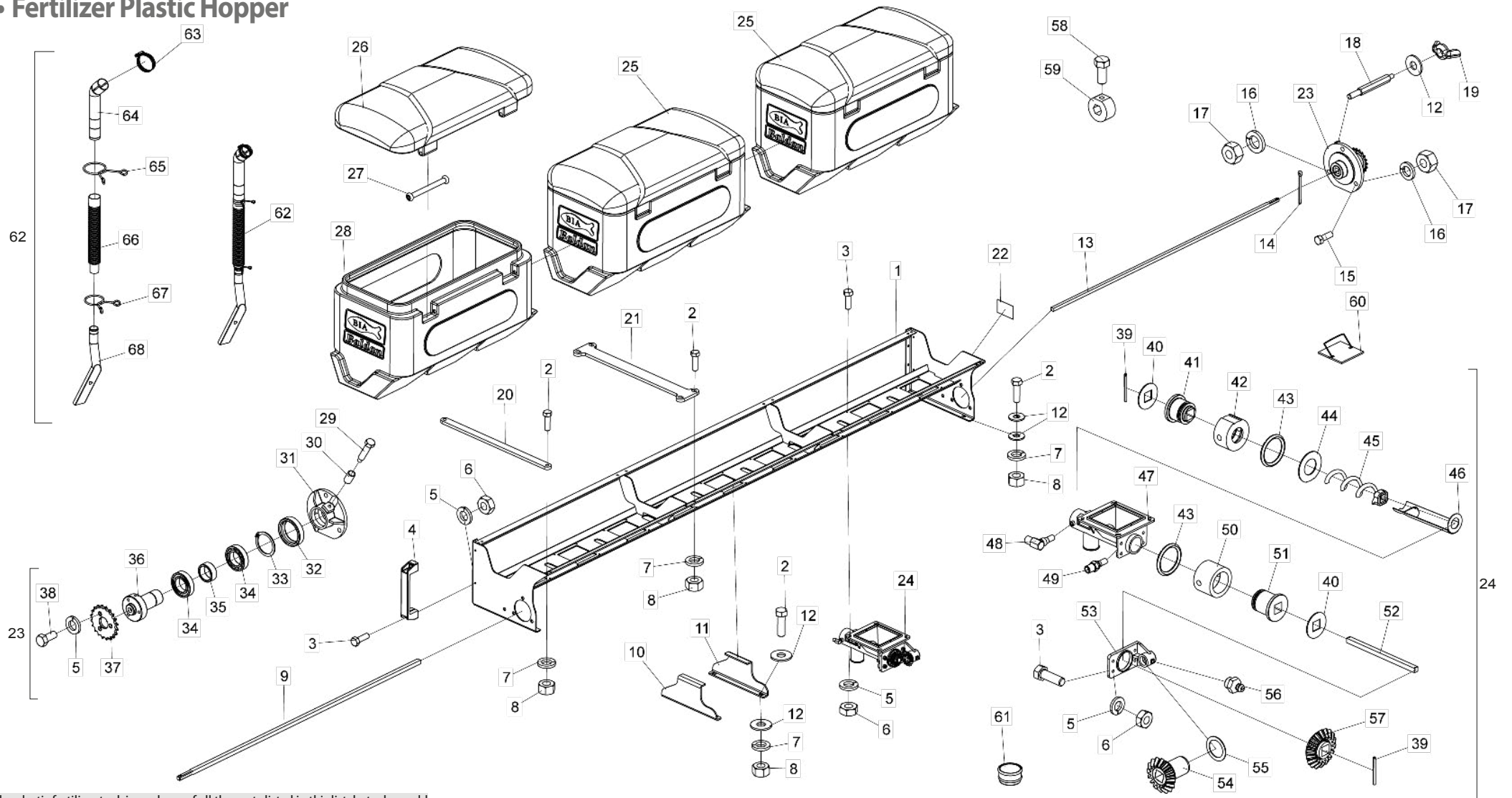
• Complete Mertilizer Metal Hopper



* Item 6 - See page 20

Item	Code	Product description	All			
			Sla-Air 3000 With Finishing Right	Sla-Air 3000 Without Finishing Right	Sla-Air 3000 With Finishing Left	Sla-Air 3000 Without Finishing Left
1	6020311240-0	French Head Pin Ø9,8 X 37Mm		2	2	2
2	5530500130-8	Union Support		1	1	1
3	5024010075-1	Smooth Washer Ø10,3 X Ø25 X 2,00Mm		2	2	2
4	6020050099-0	Cotterpin 1/8" X 3/4"		2	2	2
5	6020051098-7	Chain (Asa 40) 76 Links + Reduction	1	1	1	
*6	5208010714-5	Complete Right Metallic Fertilizer Hopper Sla-3001	1			
*6	5208010729-3	Complete Right Metallic Fertilizer Hopper Sla-3000 ((Without Finishing)		1		
*7	5208010715-3	Complete Left Metallic Fertilizer Hopper Sla-3001			1	
*7	5208010730-7	Complete Left Metallic Fertilizer Hopper Sla-3000 ((Without Finishing)				1
8	5208011969-0	Complete Right Metallic Fertilizer Hopper Sla-Air 3000(With Finishing)	1			
8	5208012046-0	Complete Right Metallic Fertilizer Hopper Sla-Air 3000((Without Finishing)		1		
8	5208011970-4	Complete Left Metallic Fertilizer Hopper Sla-Air 3000(With Finishing)			1	
8	5208012045-1	Complete Left Metallic Fertilizer Hopper Sla-Air 3000((Without Finishing)				1

• Fertilizer Plastic Hopper

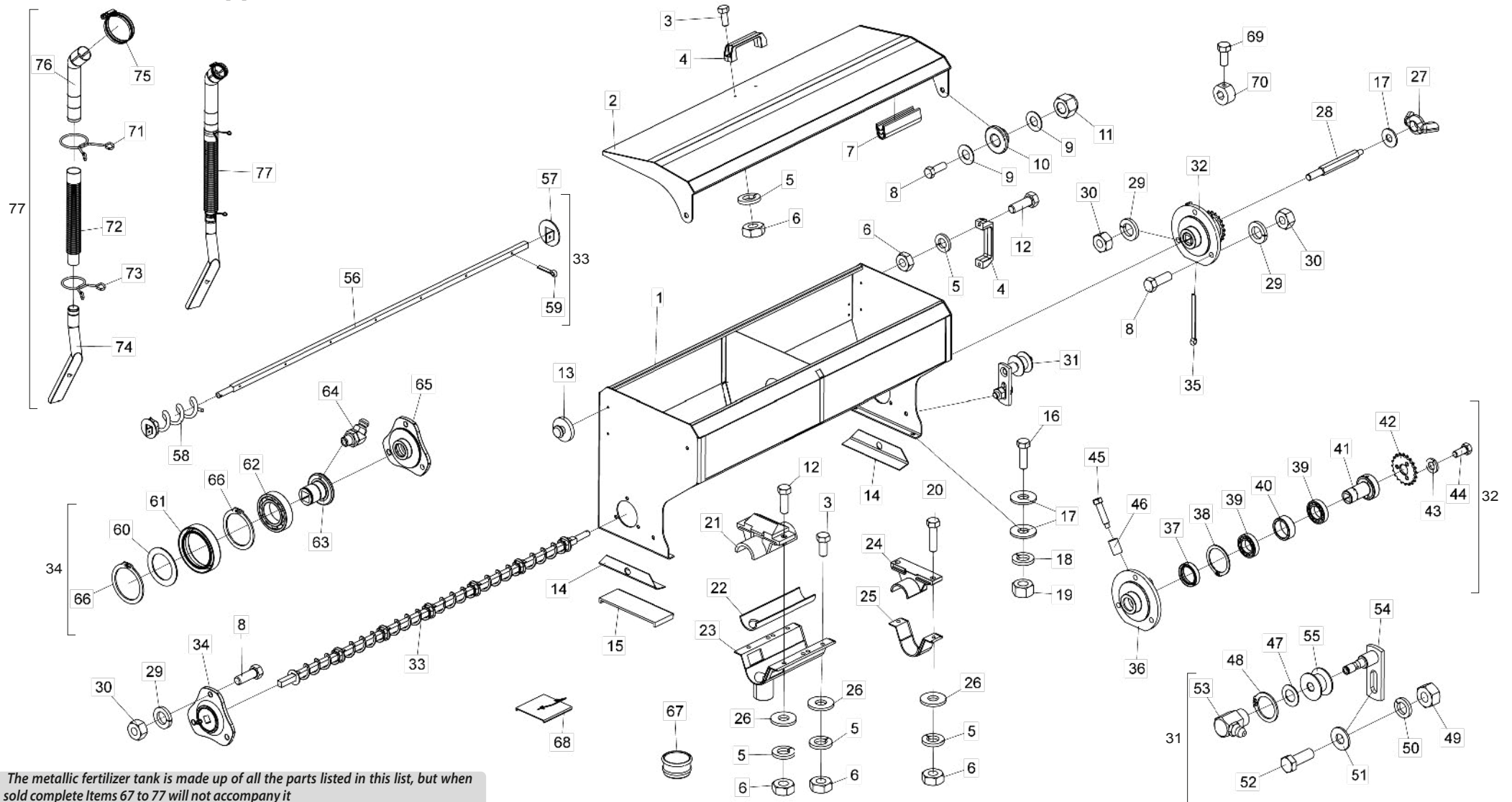


The plastic fertilizer tank is made up of all the parts listed in this list, but when sold complete, Items 58 to 68 will not accompany it.

• Table Fertilizer Plastic Hopper

Item	Code	Product description	All	Sla			Item	Code	Product description	All	Sla		
				2500 Without Finishing	3000 With Finishing	3000 Without Finishing					2500 Without Finishing	3000 With Finishing	3000 Without Finishing
1	5530010874-0	Support Of Plastic Box 2500		1			33	6020010266-8	Retaining Oring		1	2	1
1	5530010875-9	Support Of Plastic Box 3000			1	1	34	6020350013-3	Bearing 6007-2Rs		2	4	2
2	6020310026-7	Hexagonal Head Bolt 3/8" X 1.1/4" 16F Unc1A Gr5 Rt		12	20	20	35	5080020057-9	Bushing Of Ø35 X Ø45 X 17Mm		1	2	1
3	6020310883-7	Hexagonal Head Bolt Inox 5/16" X 1" 18F Unc2A Rt		52	76	76	36	5204010300-7	Gear Fixation Hub (Shaft 5/8")		1	2	1
4	6020010925-5	Nylon Belt Pmc 594 - 190 X 32Mm	2				37	5256010059-0	Gear 20 Teeth		1	2	1
5	6020010434-2	Pressure Washer Inox 5/16" Media		31	44	41	38	6020310882-9	Hexagonal Head Bolt Inox 5/16" X 3/4" 18F Unc2A Rt		3	6	3
6	6020310767-9	Brass Hexagonal Nut 5/16" 18F Unc Ch.1/2" H.6,50Mm		28	40	40	39	6020310539-0	Heavy Elastic Pin Ø3 X 36Mm		12	18	2
7	6020010406-7	Pressure Washer 3/8" Media Industry		12	20	20	40	5024010342-4	Smooth Washer Sq.16,5 X Ø46 X 1,50Mm		18	27	3
8	6020310746-6	Hexagonal Nut 3/8" 16F Unc Gr5 Ch.9/16" Height 8,50Mm		12	20	20	41	5080010285-2	Small Bushing Of Fertilizer Conductor		6	9	1
9	5232010529-3	Front Left Fertilizer Shaft			1		42	6020030083-4	Bushing Ø52 X 27Mm Small		6	9	1
10	5136011431-0	Right Central Support Plate			1	1	43	6020010043-6	O' Ring 2-214 N3006-90Nbr (24,99)		12	18	2
11	5136011430-2	Left Central Support Plate			1	1	44	5024010341-6	Special Washer The Plastic Box		6	9	1
12	5024010075-1	Smooth Washer Ø10,3 X Ø25 X 2,00Mm		9	18	17	45	5400010116-0	Left Spiral Spring Sq.17,5 X 175 X 7,93Mm (Pace 50,8Mm)		6	9	1
13	5232010527-7	Front Fertilizer Shaft		1			46	5106010066-0	Fertilizer Cover		6	9	1
13	5232010528-5	Front Right Fertilizer Shaft			1		47	6020050381-6	Fertilizer Conductor		6	9	1
13	5232010541-2	Front Fertilizer Shaft				1	48	6020051090-1	Long Steel Connection "Jma" 6X1/8" Bsp		6	9	1
14	6020050120-1	Cotterpin 1/4" X 3"		1	2	1	49	6020051089-8	Long Steel Connection "Uma" 6X1/8" Bsp		6	9	1
15	6020310886-1	Hexagonal Head Bolt Inox 1/2" X 1.1/2" 12F W Rt		2	4	2	50	6020030084-2	Bushing Ø50 X 35Mm Large		6	9	1
16	6020010435-0	Pressure Washer Inox 1/2" Media		3	6	3	51	5080010286-0	Large Bushing Of Conductor Of Fertilizer		6	9	1
17	6020310754-7	Hexagonal Nut 1/2" 12F W Gr5 Ch.7/8" Height 12,00Mm		3	6	3	52	5232010526-9	Shaft Sq.5/8" X 295Mm Fertilizer		6	9	1
18	5232010395-9	Large Shaft Of Protection Cap Fixation		1	2	1	53	5092010164-7	Transmission Box		6	9	1
19	6020030104-0	Nut Ø3/8" 16F Unc		1	2	1	54	5428010018-0	Pinion Of 16 Teeth		6	9	1
20	5558010126-6	Lateral Lock Of Plastic Box	2				55	5024010057-3	Smooth Washer Ø29,5 X Ø41 X 1,21Mm		6	9	1
21	5558010120-7	Large Central Lock Of Plastic Box		1			56	6020130108-7	Grease Fitting 1/8"		6	9	1
21	5558010121-5	Small Central Lock Of Plastic Box			2	2	57	5428010019-9	Pinion Of 18 Teeth		6	9	1
22	6020090320-2	Aluminium Label (90 X 60 X 0,50Mm)	1				58	6020312020-9	Hexagonal Head Bolt 5/16" X 3/4" 18F Unc1A Gr5 Rt	1			
23	5204010293-0	Complete Right Hub With Gear De 20 Teeth For Shaft 5/8"			1		59	6020030079-6	Traction Bushing		1		
23	5204010294-9	Complete Left Hub With Gear Of 20 Teeth For Shaft 5/8"	1				60	5538010244-6	Complete Large Tube (Plastic Box)		1		
24	5150010004-8	Left Fertilizer Conductor W/Pace Of 50,80Mm Complete		6	9	9	61	6020390815-9	Fertilizer Funnel Cover		1		
25	6020055113-6	Plastic Box For Fertilizer 200 Liters With Cover		2	3	3	62	5150010016-1	Complete Fertilizer Right Conductor		1		
26	6020390115-4	Cover Of Plastic Cover Sla	3				62	5150010017-0	Complete Fertilizer Left Conductor		1		
27	6020390912-0	Aluminium Tube Ø13,2 X 137Mm (With Ferrule)	6				63	6020010706-6	Clamp Ø44 X Ø57 X 14.5Mm (Carbon Steel)		1		
28	6020055114-4	Plastic Box For Fertilizer 200 Liters Without Cover	3				64	6020090064-5	Extension Of Fertilizer Hose		1		
29	6020311040-8	Hexagonal Head Bolt 7/16" X 2" 14F Unc1A Gr5 Rp		1	2	1	65	6020250339-2	Lock Spring		1		
30	5080020112-5	Bushing Of Ø14 X Ø19 X 28Mmm		1	2	1	66	6020250111-0	Rubber Tube Ø38 X Ø50,8 X 400Mm		1		
31	5204010135-7	Right Fertilizer Shaft Hub			1		67	6020250322-8	Lock Spring		1		
31	5204010201-9	Left Hub Of Fertilizer Shaft	1				68	6020030118-0	Right Round Funnel		1		
32	6020350255-1	Retainer Ø35,00 X Ø47,00 X 10,00Mm		1	2	1	68	6020030119-9	Left Round Funnel		1		

• Fertilizer Metal Hopper

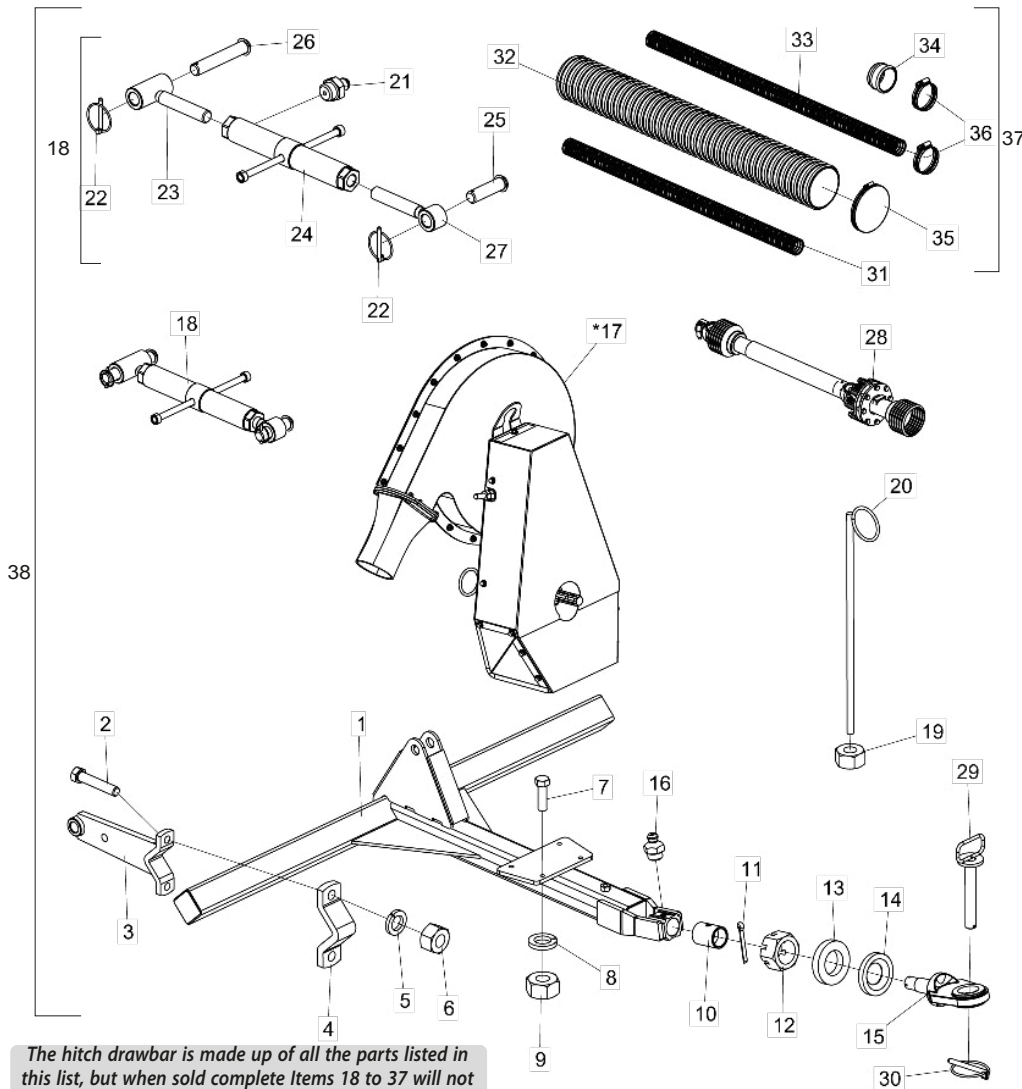


The metallic fertilizer tank is made up of all the parts listed in this list, but when sold complete items 67 to 77 will not accompany it

• Table Fertilizer Metal Hopper

Item	Code	Product description	All					Item	Code	Product description	All				
				Sla-3000 Right With Finishing	Sla-3000 Left With Finishing	Sla-3000 Right Without Finishing	Sla-3000 Left Without Finishing					Sla-3000 Right With Finishing	Sla-3000 Left With Finishing	Sla-3000 Right Without Finishing	Sla-3000 Left Without Finishing
1	5208010716-1	Fertilizer Hopper Sla-P3001	1					40	5080020057-9	Bushing Of Ø35 X Ø45 X 17Mm		1	1	1	
2	5538010220-9	Cover Of Fertilizer Box Sla-P3001	1					41	5204010283-3	Gear Fixation Hub (Shaft 3/4")		1	1	1	
3	6020310882-9	Hexagonal Head Bolt Inox 5/16" X 3/4" 18F Unc2A Rt	28					42	5256010059-0	Gear 20 Teeth		1	1	1	
4	6020010922-0	Nylon Belt Pmc 594 - 132 X 32 Mm	2					43	6020010434-2	Pressure Washer Inox 5/16" Media		3	3	3	
5	6020010434-2	Pressure Washer Inox 5/16" Media	44					44	6020310882-9	Hexagonal Head Bolt Inox 5/16" X 3/4" 18F Unc2A Rt		3	3	3	
6	6020310767-9	Brass Hexagonal Nut 5/16" 18F Unc Ch.1/2" H.6,50Mm	44					45	6020311040-8	Hexagonal Head Bolt 7/16" X 2" 14F Unc1A Gr5 Rp		1	1	1	
7	5048010025-2	Plastic Chock Absorber W/Metalic Reinforcement	5					46	5080020112-5	Bushing Of Ø14 X Ø19 X 28Mmm		1	1	1	
8	6020310886-1	Hexagonal Head Bolt Inox 1/2" X 1.1/2" 12F W Rt		7	7	7	8	47	5024010059-0	Smooth Washer Ø16,5 X Ø29 X 1,21Mm		1	1	1	
9	5024010026-3	Smooth Washer Ø13 X Ø26,5 X 1,21Mm	4					48	6020010252-8	Retaining Oring		1	1	1	
10	5080020484-1	Bushing Of Ø13,1 X Ø31,5 X 12,5Mm	2					49	6020310760-1	Hexagonal Nut 5/8" 11F Unc Gr5 Ch.1.1/16" Height 15,00Mm		1	1	1	
11	6020310809-8	Self-Locking Nut With Nylon 1/2" 12F W Gr5 Ch.3/4" H.15,50Mm	2					50	6020010412-1	Pressure Washer 5/8" Media Industry		1	1	1	
12	6020310883-7	Hexagonal Head Bolt Inox 5/16" X 1" 18F Unc2A Rt	14					51	5024010239-8	Smooth Washer Ø16,5 X Ø37 X 3,00Mm		1	1	1	
13	6020390340-8	Small Buffer	2					52	6020310179-4	Hexagonal Head Bolt 5/8" X 1.3/4" 11F Unc1A Gr5 Rt		1	1	1	
14	5136180363-2	Plate "L" De Apoio Da Caixa	2					53	6020130112-5	Grease Fitting 1/8"		1	1	1	
15	6020390433-1	Small Cover Of Cunette	1					54	5268010132-9	Spare Chain Stretcher		1	1	1	
16	6020310026-7	Hexagonal Head Bolt 3/8" X 1.1/4" 16F Unc1A Gr5 Rt	4					55	6020350849-5	Stretcher Pulley		1	1	1	
17	5024010075-1	Smooth Washer Ø10,3 X Ø25 X 2,00Mm		9	9	9	8	56	5232010385-1	Shaft Sq.3/4" X 1504,50Mm		1	1		
18	6020010406-7	Pressure Washer 3/8" Media Industry	4					56	5232010406-8	Right Shaft Sq.3/4" X 1555,5Mm					1
19	6020310746-6	Hexagonal Nut 3/8" 16F Unc Gr5 Ch.9/16" Height 8,50Mm	4					56	5232010407-6	Left Shaft Sq.3/4" X 1513,50Mm					
20	6020310884-5	Hexagonal Head Bolt Inox 5/16" X 1.1/4" 18F Unc2A Rt	2					57	5024070008-2	Special Washer 20 X Ø52 X 2,5Mm Spiral Spring	4				
21	5538010159-8	Fertilizer Dosing Cover	6					58	5400010010-5	Left Spiral Spring Q21X195X7,93Mm (Pace 50,8Mm) With Washer	24				
22	6020050531-2	Fertilizer Cap	6					59	6020050107-4	Cotterpin 3/16" X 1" (Inox)	28				
23	6020030136-9	Fertilizer Distributor Funnel	6					60	5024010374-2	Smooth Washer Ø36 X Ø52 X 1,50Mm(Inox)		1	1	1	2
24	6010601367-8	Left Cover Of Fertilizer	1					61	6020350255-1	Retainer Ø35,00 X Ø47,00 X 10,00Mm		1	1	1	2
25	6020050617-3	Nozzle Wedge	2					62	6020350013-3	Bearing 6007-2Rs		1	1	1	2
26	5024010073-5	Smooth Washer Ø8,5 X Ø20 X 2,00Mm	40					63	5204070016-1	Shaft Hub		1	1	1	2
27	6020030104-0	Nut Ø3/8" 16F Unc		1	1	1		64	6020130104-4	Grease Fitting 1/4"		1	1	1	2
28	5232010395-9	Large Shaft Of Protection Cap Fixation		1	1	1		65	6020050487-1	Fertilizer Shaft Hub		1	1	1	2
29	6020010435-0	Pressure Washer Inox 1/2" Media	6					66	6020010266-8	Retaining Oring		2	2	2	4
30	6020310754-7	Hexagonal Nut 1/2" 12F W Gr5 Ch.7/8" Height 12,00Mm	6					67	6020390815-9	Fertilizer Funnel Cover	1				
31	5268010135-3	Complete Chain Stretcher		1	1	1		68	5538010245-4	Complete Large Tube(Cx Metal/Inox)	1				
32	5204010285-0	Complete Right Hub With Gear De 20 Teeth For Shaft 3/4"		1		1		69	6020312020-9	Hexagonal Head Bolt 5/16" X 3/4" 18F Unc1A Gr5 Rt	1				
33	5204010284-1	Complete Left Hub With Gear Of 20 Teeth For Shaft 3/4"			1			70	6020030079-6	Traction Bushing	1				
34	5232010384-3	Complete Fertilizer Shaft Sla-3000		1	1			71	6020250339-2	Lock Spring	1				
35	5232010408-4	Complete Right Fertilizer Shaft (Sla-3000) ((Without Finishing)				1		72	6020250111-0	Rubber Tube Ø38 X Ø50,8 X 400Mm	1				
36	5232010409-2	Complete Left Fertilizer Shaft Sla-3000 ((Without Finishing).					1	73	6020250322-8	Lock Spring	1				
37	5204010199-3	Complete Fertilizer Hooper Hub		1	1	1	2	74	6020030118-0	Right Round Funnel	1				
38	6020050120-1	Cotterpin 1/4" X 3"		1	1	1		74	6020030119-9	Left Round Funnel	1				
39	5204010135-7	Right Fertilizer Shaft Hub		1		1		75	6020010706-6	Clamp Ø44 X Ø57 X 14,5Mm (Carbon Steel)	1				
	5204010201-9	Left Hub Of Fertilizer Shaft			1			76	6020090064-5	Extension Of Fertilizer Hose	1				
	6020350255-1	Retainer Ø35,00 X Ø47,00 X 10,00Mm		1	1	1		77	5150010016-1	Complete Fertilizer Right Conductor	1				
	6020010266-8	Retaining Oring		1	1	1		77	5150010016-1	Complete Fertilizer Right Conductor	1				
	6020350013-3	Bearing 6007-2Rs		2	2	2		77	5150010017-0	Complete Fertilizer Left Conductor	1				

• Complete Hitch Drawbar W/Multiplier Box

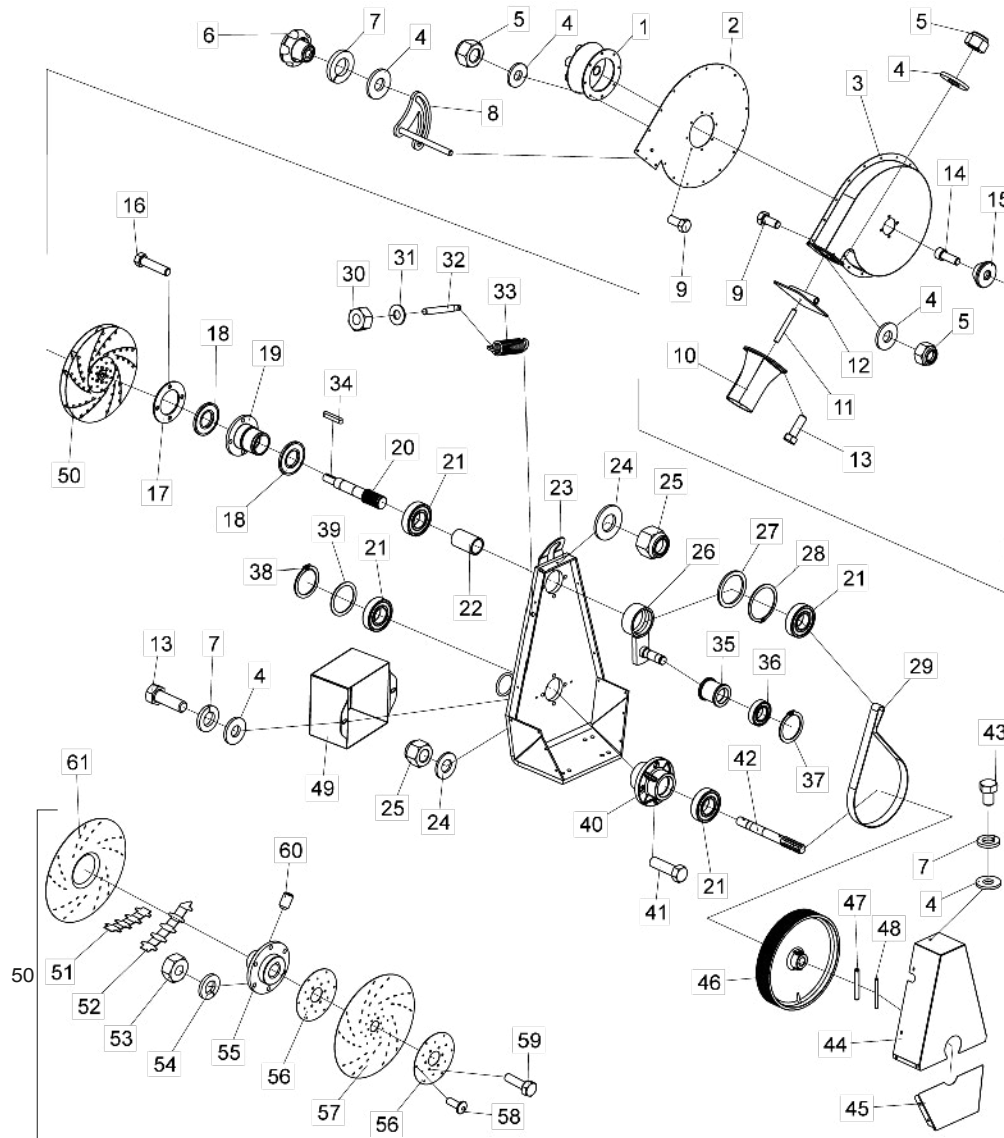


The hitch drawbar is made up of all the parts listed in this list, but when sold complete Items 18 to 37 will not accompany it

* Item 17 - See page 23

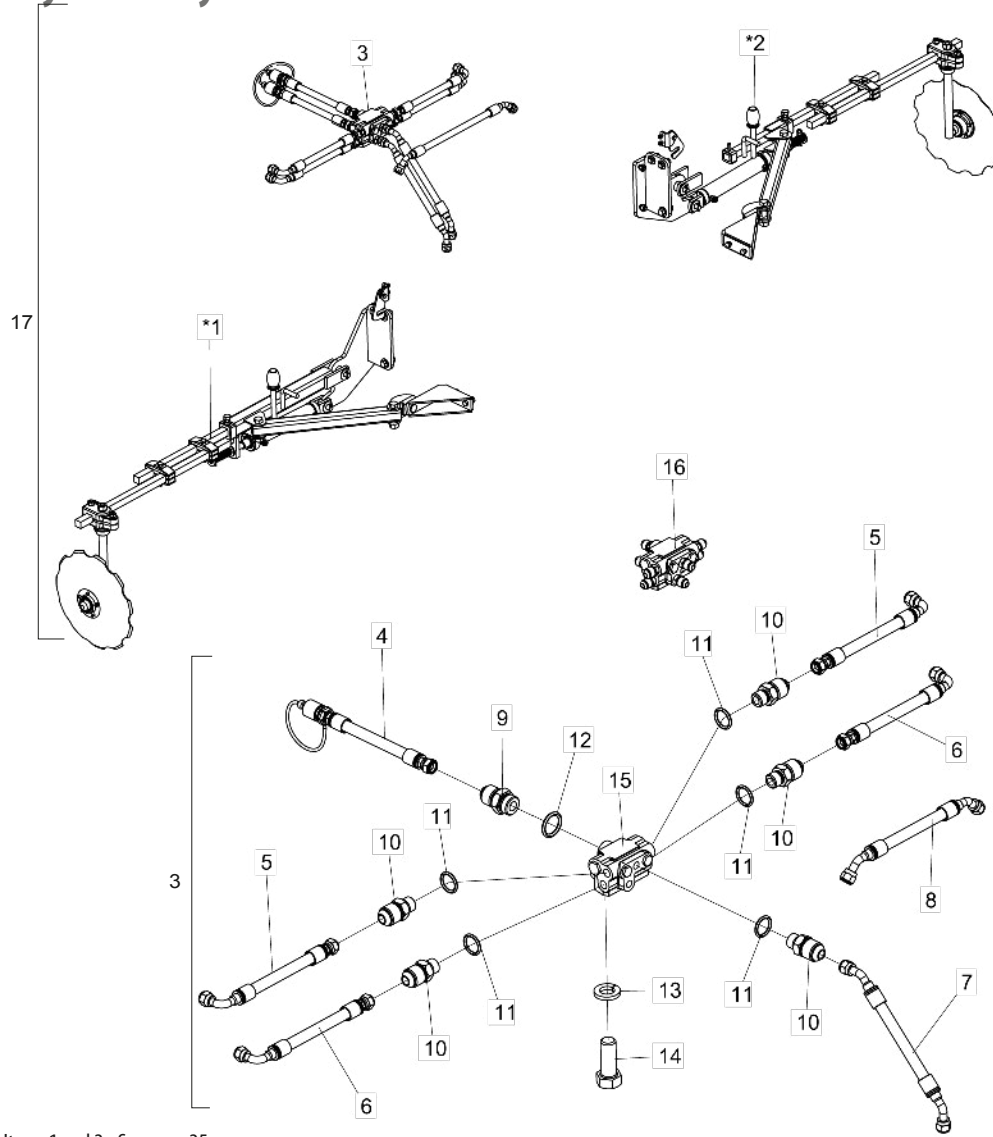
Item	Code	Product description	All	SLA-03	SLA-04	SLA-05	SLA-06	SLA-07
1	5084010090-9	Hitch Drawbar SLA Evolution	1					
2	6020311099-8	Hexagonal Head Bolt 3/4" X 4" 10F Unc1A Gr5 Rp	4					
3	5530010627-6	Hitch Support	2					
4	5530220003-2	Hitch Support	2					
5	6020010414-8	Pressure Washer 3/4" Media Industry	4					
6	6020310770-9	Hexagonal Nut 3/4" 10F Unc Gr5 Ch.1.7/32" Height 18,50Mm	4					
7	6020317427-9	Hexagonal Head Bolt 1/2" X 1.3/4" 12FW Gr5 Rt	4					
8	6020010410-5	Pressure Washer 1/2" Media Industry	4					
9	6020310754-7	Hexagonal Nut 1/2" 12FW Gr5 Ch.7/8" Height 12,00Mm	4					
10	5080010151-1	Bushing Of Drawbar	1					
11	6020050116-3	Cotterpin 1/4" X 2"	1					
12	6020310857-8	Nut 1.1/2" 12F Unf Gr2 Ch.2" Height 30,00Mm	1					
13	5024010217-7	Smooth Washer Ø39 X Ø68 X 12,00Mm	1					
14	5024010327-0	Smooth Washer Ø45 X Ø87 X 12,00Mm	1					
15	5332010018-2	Spare Hitch Shackles	1					
16	6020130108-7	Grease Fitting 1/8"	1					
*17	5092010464-6	Multiplicator Box W/Mecanic Turbine Ø480Mm(For 540Rpm)	1					
18	5484010012-2	Complete Regulator	1					
19	6020310760-1	Hexagonal Nut 5/8" 11F Unc Gr5 Ch.1.1/16" Height 15,00Mm	5					
20	5530060020-3	Hoses Support	1					
21	6020130108-7	Grease Fitting 1/8"	2					
22	6020390301-7	Lock Ø5,75 X 50Mm	2					
23	5484040005-3	Left Thread Regulator	1					
24	5484010014-9	Draw Bar Regulator	1					
25	5432120090-0	French Head Pin Ø30,53 X 97Mm	1					
26	5432120117-5	French Head Pin Ø30,53 X 165Mm	1					
27	5484040003-7	Regulator R.1.1/4"Unc X 197Mm With Bushing	1					
28	6020050153-8	Cardan With Protection Constant-Velocity Gasket And Free Rotating Ci1065/2Ph	1					
29	5432010025-1	Pin Ø1.1/4" X 215Mm	1					
30	6020390301-7	Lock Ø5,75 X 50Mm	1					
31	5372010661-9	Conductor Air Hose Sve Ø1.3/4" X 2300Mm		1		1		1
31	5372010623-6	Conductor Air Hose Sve Ø1.3/4" X 2650Mm			2	2	2	2
31	5372010622-8	Conductor Air Hose Sve Ø1.3/4" X 2550Mm					2	2
32	5372010258-3	Conductor Air Hose "Spiraflex" Svl Ø5" X 2300Mm	1					
33	5372010662-7	Conductor Air Hose Sve Ø1.3/4" X 2900Mm	2					
34	6020390815-9	Fertilizer Funnel Cover		4	3	2	1	
35	6020010701-5	Clamp Ø127 X Ø146 X 14,5Mm (Carbon Steel)	1					
36	6020010706-6	Clamp Ø44 X Ø57 X 14,5Mm (Carbon Steel)		10	11	12	13	14
37	5372010766-6	Pneumatic System Hoses SLA-03 Rows		1				
37	5372010767-4	Pneumatic System Hoses SLA-04 Rows			1			
37	5372010768-2	Pneumatic System Hoses SLA-05 Rows				1		
37	5372010769-0	Pneumatic System Hoses SLA-06 Rows					1	
37	5372010770-4	Pneumatic System Hoses SLA-07 Rows						1
38	5084010091-7	Complete Hitch Drawbar With Multiplier Box	1					

• Multiplier Box



Item	Code	Product description	All
1	5152010051-6	Connection W/07 Exits 1.3/4"	1
2	5538010347-7	Complete Cover Of Turbine	1
3	5112010027-4	Housing Of Metallic Hydraulic	1
4	5024010073-5	Smooth Washer 08,5 X 020 X 2,00Mm	46
5	6020310813-6	Self-Locking Nut With Nylon 5/16" 18F Unc Gr5 Ch.1/2" H.9,00Mm	30
6	6020250453-4	Knob Female Thermoplastic - Thread 5/16" Unc	1
7	6020010404-0	Pressure Washer 5/16" Media Industry	16
8	5484010058-0	Vacuum Regulator	1
9	6020312020-9	Hexagonal Head Bolt 5/16" X 3/4" 18F Unc1A Gr5 Rt	26
10	6020110027-8	Exhaustion Flange - Plastic	1
11	6020310470-0	Heavy Elastic Pin Ø3 X 24Mm	1
12	5010010043-3	Flip	1
13	6020310038-0	Hexagonal Head Bolt 5/16" X 1" 18F Unc1A Gr5 Rt	6
14	6020310098-4	Allen Bolt C/C 5/16" X 7/8" 18F Unc1A Cl12.9 Rt (Phosphated)	1
15	5024010331-9	Lock Washer Of Turbine Disc	1
16	6020311055-6	Hexagonal Head Bolt 1/2" X 2.1/4" 12FW Gr2 Rp	4
17	5284010015-4	Support Flange	1
18	6020010096-7	Anel Nilos 30X62 Lsto	2
19	5204010232-9	Upper Turbine Hub	1
20	5232010338-0	Shaft Of Turbine Stratcher Ø38Mm	1
21	6020350110-5	Bearing 6206 Zz Folga C3(Skf-Nsk-Timken)	5
22	5080010314-0	Spacer Bushing Of Ø30 X Ø38 X 60,5Mm	1
23	5092010066-7	Protection Box Of Chain	1
24	5024010162-6	Smooth Washer Ø13 X Ø26 X 2,00Mm	8
25	6020310809-8	Self-Locking Nut With Nylon 1/2" 12FW Gr5 Ch.3/4" H.15,50Mm	8
26	5268010154-0	Chain Stretcher Of Turbine	1
27	5024010350-5	Smooth Washer Ø38 X Ø30 X 2,00Mm	1
28	6020010325-7	Retaining Ring E-75	1
29	6020050270-4	Multiple Belt "V" 20 Pj 1600Mm (Iso Standart) (Turb.540rpm)	1
30	6020310760-1	Hexagonal Nut 5/8" 11F Unc Gr5 Ch.1.1/16" Height 15,00Mm	2
31	5024010239-8	Smooth Washer Ø16,5 X Ø37 X 3,00Mm	1
32	5296010019-0	Spindle Ø5/8" X 130Mm	1
33	6020250317-1	Helical Spring Ø23 X Ø31 X 88Mm	1
34	5140010030-0	Cotter Sq.1/4" X 40Mm	1
35	5448010046-0	Stracher Pulley	1
36	6020350187-3	Sphere Bearing Skf 6005 Zz	2
37	6020010013-4	Retaining Oring	1
38	6020010263-3	Retaining Oring	1
39	5024010333-5	Smooth Washer Ø30,5 X Ø1.1/2" X 1,00Mm	2
40	5204010180-2	Lower Hub Of Turbine	1
41	6020317427-9	Hexagonal Head Bolt 1/2" X 1.3/4" 12FW Gr5 Rt	4
42	6020090259-1	Splined Shaft Of Turbine	1
43	6020311020-3	Hexagonal Head Bolt 5/16" X 1/2" 18F Unc1A Gr2 Rt	13
44	5538010156-3	Upper Cover Of Protection Box	1
45	5538010157-1	Lower Cover Of Protection Box	1
46	5448010042-8	Pully Motora Ø360,5Mm (For 540Rpm)	1
47	6020310474-2	Heavy Elastic Pin Ø10 X 70Mm	1
48	6020310475-0	Heavy Elastic Pin Ø6 X 70Mm	1
49	5092010067-5	Protection Box Of Sprowd Shaft	1
50	5220010052-2	Complete Disc 35Mm Of Turbine Ø480Mm	1
51	5010010034-4	Small Flip 35Mm Of Turbine Ø480Mm	5
52	5010010035-2	Large Flip 35Mm Of Turbine Ø480Mm	5
53	6020310742-3	Hexagonal Nut 1/4" 20F Unc Gr5 Ch.7/16" Height 5,50Mm	6
54	6020010402-4	Pressure Washer 1/4" Media Industry	6
55	5204070048-0	Turbine Hub	1
56	5284010010-3	Turbine Flange	2
57	5220010055-7	Right Disc Of Turbine Ø480Mm	1
58	6020350486-4	Rivet "Pop" Ø3/16" X 1/2"(Aluminium)	12
59	6020311004-1	Hexagonal Head Bolt 1/4" X 7/8" 20F Unc1A Gr5 Rt	6
60	6020310096-8	Allen Bolt S/C 5/16" X 1/2" 18F Unc1A Cl12.9 Rt (Phosphated)	1
61	5220010056-5	Left Disc Of Turbine Ø480Mm	1

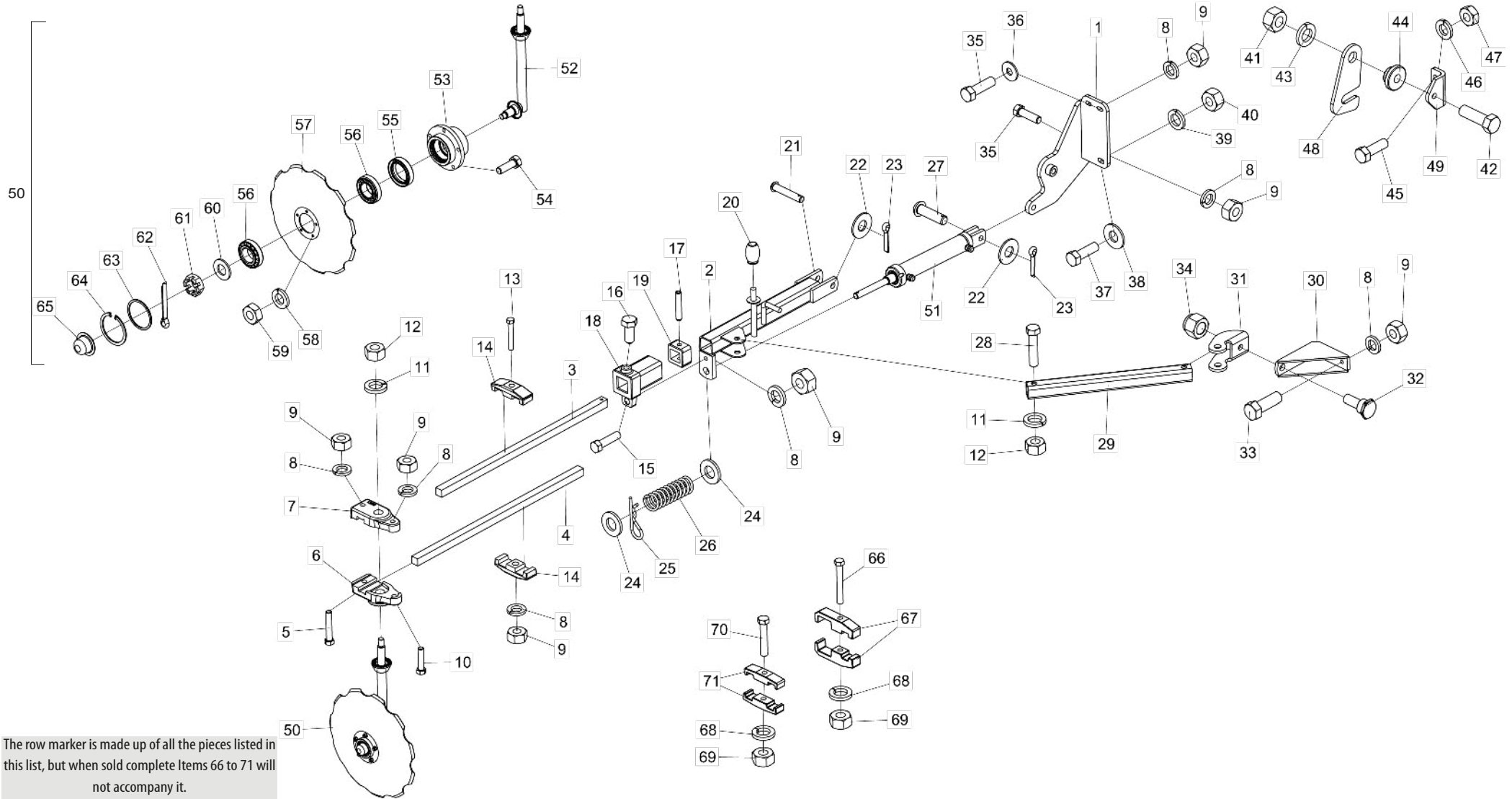
• Hydraulic System W/Row Marker



* Items 1 and 2 - See page 25

Item	Code	Product description	All	SlA 2500	SlA 3000
*1	5386010148-0	Row Marker	1		
*2	5386010147-1	Row Marker	1		
3	5528010377-1	Hydraulic System SlA-2500 W/Row Marker		1	
3	5528010375-5	Hydraulic System SlA-3000 W/Row Marker			1
4	5372011092-6	Hose Ø3/8" X 3000Mm With 1Trg And 1Trf With Male Quickly Coupling	4		
5	6020250796-7	High Pressure Hydraulic Hose 3/8" X 2000Mm With 1Tcg And 1Trg (Sae 100R2 At -		2	
5	6020250783-5	High Pressure Hydraulic Hose 3/8" X 2650Mm With 1Tcg And 1Trg (Sae 100R2 At -			2
6	6020250936-6	High Pressure Hydraulic Hose 3/8" X 1800Mm With 1Tcg And 1Trg (Sae 100R2 At -		2	
6	6020250962-5	High Pressure Hydraulic Hose 3/8" X 2900Mm With 1Tcg And 1Trg (Sae 100R2 At -			2
7	6020250815-7	High Pressure Hydraulic Hose 3/8" X 1800Mm With 2Tcg 45° (Sae 100R2 At - P.T.4800Psi)	1		
7	6020250814-9	High Pressure Hydraulic Hose 3/8" X 2000Mm With 2Tcg 45° (Sae 100R2 At - P.T.4800Psi)	1		2
8	6020250825-4	High Pressure Hydraulic Hose 3/8" X 2200Mm With 2Tcg 45° (Sae 100R2 At - P.T.4800Psi)	1		
8	6020250826-2	High Pressure Hydraulic Hose 3/8" X 3200Mm With 2Tcg 45° (Sae 100R2 At - P.T.4800Psi)			1
9	5412010035-4	Nipple R.3/4" Unf X R.3/4" Unf X 38Mm With Hexagonal 7/8"	4		
10	5412010008-7	Nipple R.3/4" Unf X R.9/16" Unf X 40Mm With Hexagonal 3/4"	12		
11	6020010025-8	O' Ring 6-091 N3006-90Nbr(Ø12,00 X 2,00Mm)	12		
12	6020010022-3	O' Ring 2-114 N3006-90Nbr (15,54)	4		
13	6020010406-7	Pressure Washer 3/8" Media Industry	4		
14	6020310021-6	Hexagonal Head Bolt 3/8" X 1" 16F Unc1A Gr5 Rt	4		
15	6020430196-7	Valve Block	2		
16	5224010104-1	Complete Oil Distributor With 8 Nipples	2		
17	5528010291-0	Hydraulic System W/Baliza SlA-2500 Complete		1	
17	5528010293-7	Hydraulic System W/Baliza SlA-3000 Complete			1

• Row Marker



The row marker is made up of all the pieces listed in this list, but when sold complete Items 66 to 71 will not accompany it.

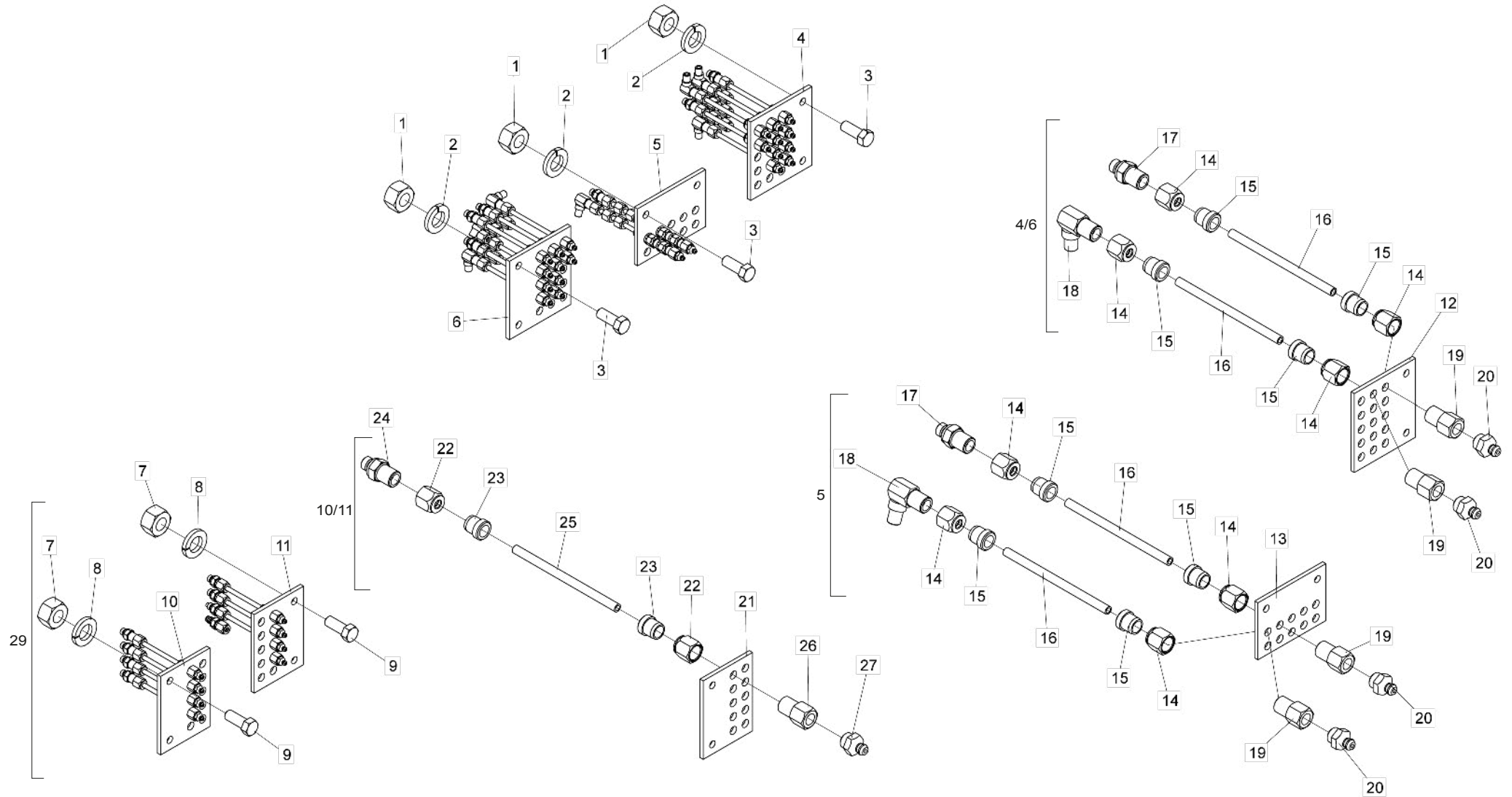
* Item 51 - See page 12

• Table Row Marker

Item	Code	Product description	All	Left	Right
1	5530310026-0	Left Support Of Row Marker		1	
1	5530310025-2	Right Support Of Row Marker			1
2	5530010631-4	Left Support Of Row Marker Sla-P		1	
2	5530010632-2	Right Support Of Row Marker Sla-P			1
3	5040080028-3	Square Bar De 1.1/8" X 830Mm With Hole	1		
4	5040080019-4	Square Bar De 1.1/8" X 830Mm	1		
5	6020311057-2	Hexagonal Head Bolt 1/2" X 3" 12F W Gr5 Rp	1		
6	6010601392-9	Upper Rosette Of Row Marker	1		
7	6010601393-7	Lower Rosette Of Row Marker	1		
8	6020010410-5	Pressure Washer 1/2" Media Industry	11		
9	6020310754-7	Hexagonal Nut 1/2" 12F W Gr5 Ch.7/8" Height 12,00Mm	11		
10	6020312060-8	Hexagonal Head Bolt 1/2" X 2.1/4" 12F W Gr5 Rp	1		
11	6020010414-8	Pressure Washer 3/4" Media Industry	3		
12	6020310770-9	Hexagonal Nut 3/4" 10F Unc Gr5 Ch.1.7/32" Height 18,50Mm	3		
13	6020311061-0	Hexagonal Head Bolt 1/2" X 3.1/2" 12F W Gr5 Rp	2		
14	6010601249-3	Lock Bar	4		
15	6020311054-8	Hexagonal Head Bolt 1/2" X 2" 12F W Gr2 Rp	1		
16	6020312082-9	Hexagonal Head Bolt 5/8" X 1.1/2" 11F Unc1A Gr5 Rt	1		
17	6020310510-2	Heavy Elastic Pin Ø10 X 55Mm	1		
18	5324050013-9	Guide Of Bar	1		
19	5324020018-6	Lower Bar Guide	1		
20	6020030170-9	Absorver Shock	1		
21	5432010151-7	French Head Pin Ø3/4" X 95Mm	1		
22	5024010142-1	Smooth Washer Ø20,3 X Ø46,5 X 3,00Mm	2		
23	6020050104-0	Cotterpin 3/16" X 1"	2		
24	5024010001-8	Smooth Washer Ø23,5 X Ø44,5 X 4,75Mm	2		
25	6020390308-4	Lock Nma - Type "R" Ø4,5 X 80Mm	1		
26	6020250242-6	Helical Spring Ø23,5 X Ø31,5 X 100Mm Internal	1		
27	5432120023-3	French Head Pin Ø3/4" X 62Mm	1		
28	6020311098-0	Hexagonal Head Bolt 3/4" X 3.1/2" 10F Unc1A Gr5 Rp	2		
29	5552010143-7	Tube C.50 X 580Mm	1		
30	5530010134-7	Support Of Marker	1		
31	5136010369-6	Guide Plate Of Lock Of Marker	1		
32	6020312002-0	Hexagonal Head Bolt 5/8" X 2" 18F Unf1A Gr5 Rt Special	1		
33	6020312001-2	Hexagonal Head Bolt 1/2" X 1.1/2" 12F W Gr5 Rt	2		
34	6020310761-0	Self-Locking Nut With Nylon 5/8" 18F Unf Gr5 Ch.15/16" H.19,50Mm	1		
35	6020317427-9	Hexagonal Head Bolt 1/2" X 1.3/4" 12F W Gr5 Rt	4		
36	5024010068-9	Smooth Washer Ø13,3 X Ø35,5 X 3,00Mm	2		
37	6020310180-8	Hexagonal Head Bolt 5/8" X 2" 11F Unc1A Gr5 Rp	1		
38	5024010239-8	Smooth Washer Ø16,5 X Ø37 X 3,00Mm	1		
39	6020010412-1	Pressure Washer 5/8" Media Industry	1		
40	6020310760-1	Hexagonal Nut 5/8" 11F Unc Gr5 Ch.1.1/16" Height 15,00Mm	1		

Item	Code	Product description	All	Left	Right
41	6020310746-6	Hexagonal Nut 3/8" 16F Unc Gr5 Ch.9/16" Height 8,50Mm	1		
42	6020310026-7	Hexagonal Head Bolt 3/8" X 1.1/4" 16F Unc1A Gr5 Rt	1		
43	6020010406-7	Pressure Washer 3/8" Media Industry	1		
44	5080010264-0	Bushing Of Ø10,3 X Ø30 X 13Mm	1		
45	6020310038-0	Hexagonal Head Bolt 5/16" X 1" 18F Unc1A Gr5 Rt	2		
46	6020010404-0	Pressure Washer 5/16" Media Industry	2		
47	6020310744-0	Hexagonal Nut 5/16" 18F Unc Gr5 Ch.1/2" Height 6,50Mm	2		
48	5558010046-4	Fixation Lock Of Marker	1		
49	5136010756-0	Plate "L" Of Lock Marker	1		
50	5386010139-0	Row Marker		1	
50	5386010138-2	Row Marker			1
*51	6020055702-9	Hydraulic Cylinder "O.D" Ø1.1/4" X Ø2" X 246Mm(Course) X 499Mm(Closed)	1		
52	5386010141-2	Row Marker		1	
52	5386010142-0	Row Marker			1
53	5204010247-7	Disc Hub	2		
54	6020310038-0	Hexagonal Head Bolt 5/16" X 1" 18F Unc1A Gr5 Rt	10		
55	6020350268-3	Retainer Ø36,00 X Ø52,00 X 11,00Mm	2		
56	6020350077-0	Bearing 44610/49	4		
57	2759366580-7	Concave Notched Disc Blade 16 X 3,50 Hc Rd 74Mm + 5H Rd 8,7Mm R=48Mm Single Bevel	2		
58	6020010404-0	Pressure Washer 5/16" Media Industry	10		
59	6020310744-0	Hexagonal Nut 5/16" 18F Unc Gr5 Ch.1/2" Height 6,50Mm	10		
60	5024010258-4	Smooth Washer Ø20 X Ø38,5 X 3,00Mm	2		
61	6020310797-0	Nut 3/4" 16F Unf Gr5 Ch.1.1/16" Height 13,00Mm	2		
62	6020050101-5	Cotterpin 1/8" X 1"	2		
63	6020010130-0	Gascket Ring 050 X 057 X 2Mm	2		
64	6020011025-3	Retaining Ring I-058	2		
65	6020050649-1	Hub Cap (External Diameter 57,00Mm)	2		
66	6020311081-5	Hexagonal Head Bolt 5/8" X 5" 11F Unc1A Gr5 Rp	2		
67	6010601417-8	Lock Of Row Marker Bar	4		
68	6020010412-1	Pressure Washer 5/8" Media Industry	4		
69	6020310760-1	Hexagonal Nut 5/8" 11F Unc Gr5 Ch.1.1/16" Height 15,00Mm	4		
70	6020311079-3	Hexagonal Head Bolt 5/8" X 3.1/2" 11F Unc1A Gr5 Rp	2		
71	6010601399-6	Lock Of Row Marker Bar	4		

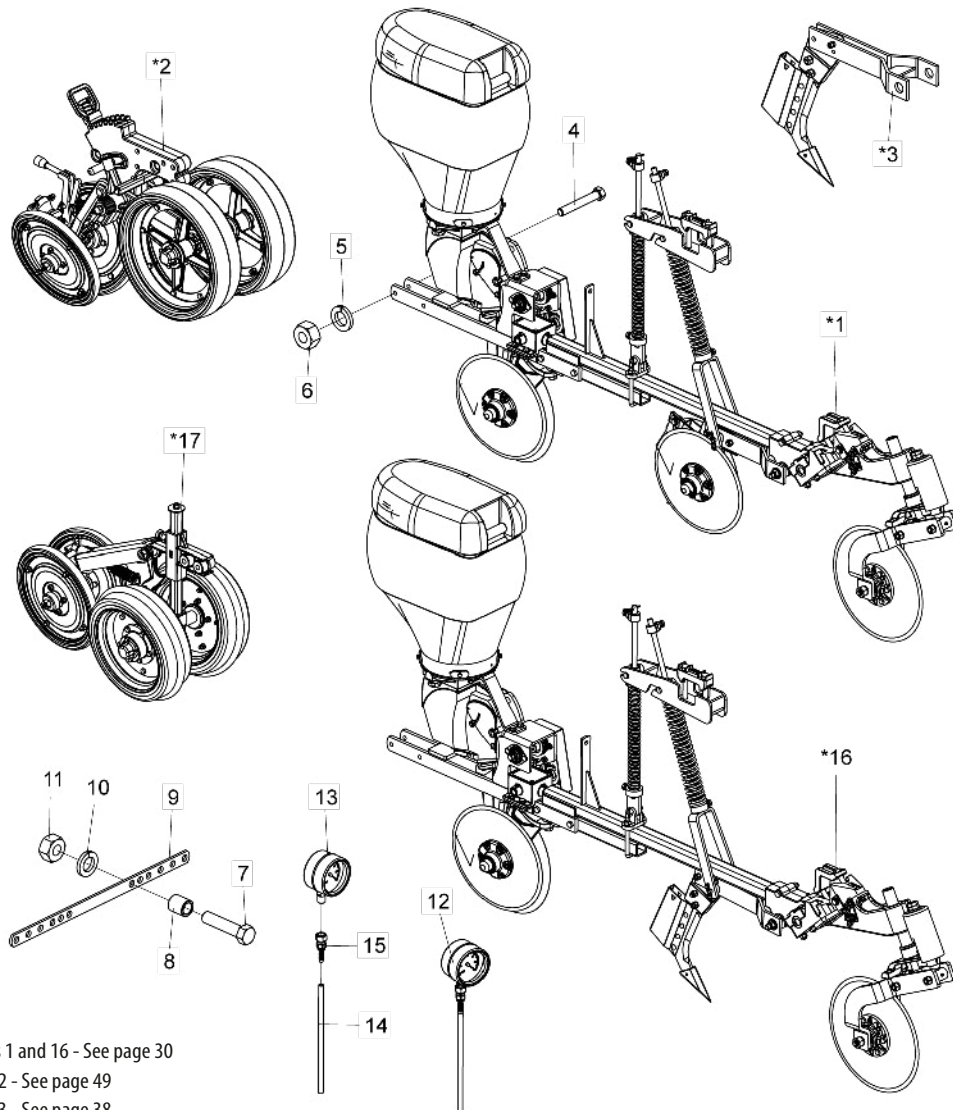
• Lubrication System



• Table Lubrication System

Item	Code	Product description	All						Item	Code	Product description	All					
				Sla 2500 Plastic Hopper Without Finishing	Sla 3000 Plastic Hopper Without Finishing	Sla 3000 Plastic Hopper With Finishing	Sla 2500/3000 Metal Hopper Without Finishing	Sla 3000 Metal Hopper With Finishing					Sla 2500 Plastic Hopper Without Finishing	Sla 3000 Plastic Hopper Without Finishing	Sla 3000 Plastic Hopper With Finishing	Sla 2500/3000 Metal Hopper Without Finishing	Sla 3000 Metal Hopper With Finishing
1	6020310746-6	Hexagonal Nut 3/8" 16F Unc Gr5 Ch.9/16" Height 8,50Mm		4	6	6			16	5372010061-0	Hose Ø6" X 700Mm - Left		2	2	2		
2	6020010406-7	Pressure Washer 3/8" Media Industry		4	6	6			16	5372010061-0	Hose Ø6" X 700Mm - Central				1	1	
3	6020310054-2	Hexagonal Head Bolt 3/8" X 1" 16F Unc1A Gr2 Rt		4	6	6			16	5372010109-9	Hose Ø6" X 800Mm - Right		1	1	1		
4	5528010219-8	Right Lubrication System Sla 3000 Plastic Box (Without Finishing)		1	1				16	5372010109-9	Hose Ø6" X 800Mm - Left		1	1	1		
4	5528010312-7	Right Lubrication System Sla-3000 Plastic Box (W/Finishing)				1			16	5372010318-0	Hose Ø6" X 850Mm - Right		1	1	1		
5	5528010221-0	Central Lubrication System Sla 3000 Plastic Box			1	1			16	5372010128-5	Hose Ø6" X 900Mm - Right		1	1	1		
6	5528010218-0	Left Lubrication System Sla 3000 Plastic Box ((Without Finishing)		1	1				16	5372010128-5	Hose Ø6" X 900Mm - Left		3	3	3		
6	5528010313-5	Left Lubrication System Sla-3000 Plastic Box (W/Finishing)				1			16	5372010130-7	Hose Ø6" X 1100Mm - Right					2	
7	6020310746-6	Hexagonal Nut 3/8" 16F Unc Gr5 Ch.9/16" Height 8,50Mm					4	4	16	5372010130-7	Hose Ø6" X 1100Mm - Left		1	1	3		
8	6020010406-7	Pressure Washer 3/8" Media Industry					4	4	17	6020050002-7	Steel Connection "Uma" 6 X 1/8"Bsp		9	12	12		
9	6020310054-2	Hexagonal Head Bolt 3/8" X 1" 16F Unc1A Gr2 Rt					4	4	18	6020050004-3	Steel Connection "Jma" 6X1/8" Bsp		11	14	18		
10	5528010307-0	Left Lubrication System Sla-2500/3000 Metalic Box ((Without Finishing)					1	1	19	5152010039-7	Connection De Latao M-12 (Special).		20	26	30		
11	5528010306-2	Right Lubrication System Sla-2500/3000 Metalic Box ((Without Finishing)					1	1	20	6020130108-7	Grease Fitting 1/8"		20	26	30		
12	5136060428-8	Plate Of Lubrification Support		1	2	2			21	5136010759-4	Plate Of Lubrification Support					2	2
13	5136010759-4	Plate Of Lubrification Support			1	1			22	5456010084-4	Hexagonal Nut 9/16" M12 X 1,5 X 15Mm L/Ms					16	16
14	5456010084-4	Hexagonal Nut 9/16" M12 X 1,5 X 15Mm L/Ms		40	52	60			23	5014010001-0	Washer - D 6-L/Ms.					16	16
15	5014010001-0	Washer - D 6-L/Ms.		40	52	60			24	6020050002-7	Steel Connection "Uma" 6 X 1/8"Bsp					8	8
16	5372010124-2	Hose Ø6" X 200Mm - Right		1	1	1			25	5372010061-0	Hose Ø6" X 700Mm - Right					2	2
16	5372010124-2	Hose Ø6" X 200Mm - Central				1	1		25	5372010061-0	Hose Ø6" X 700Mm - Left					2	2
16	5372010323-7	Hose Ø6" X 300Mm - Left		1	1	1			25	5372010128-5	Hose Ø6" X 900Mm - Left					1	1
16	5372010058-0	Hose Ø6" X 400Mm - Right		1	1	1			25	5372010059-9	Hose Ø6" X 500Mm - Left					1	1
16	5372010058-0	Hose Ø6" X 400Mm - Central				1	1		25	5372010109-9	Hose Ø6" X 800Mm - Right					2	2
16	5372010321-0	Hose Ø6" X 450Mm - Right		1	1	1			26	5152010039-7	Connection De Latao M-12 (Special).					8	8
16	5372010321-0	Hose Ø6" X 450Mm - Central				1	1		27	6020130108-7	Grease Fitting 1/8"					8	8
16	5372010059-9	Hose Ø6" X 500Mm - Right		1	1	1			28	5528010314-3	Complete Lubrication System Sla-2500 Plastic Box		1				
16	5372010059-9	Hose Ø6" X 500Mm - Left		1	1	1			28	5528010217-1	Complete Lubrication System Sla 3000 Plastic Box ((Without Finishing)			1			
16	5372010059-9	Hose Ø6" X 500Mm - Central			2	2			28	5528010311-9	Complete Lubrication System Sla-3000 Plastic Box (W/Finishing)				1		
16	5372010320-2	Hose Ø6" X 550Mm - Right		1	1	1			29	5528010305-4	Central Lubrication System Sla-2500/3000 Metalic Box ((Without Finishing)					1	
16	5372010060-2	Hose Ø6" X 600Mm - Left		1	1	1			29	5528010308-9	Central Lubrication System Sla-3000 Metalic Box (W/Finishing)						1
16	5372010061-0	Hose Ø6" X 700Mm - Right		2	2	2											

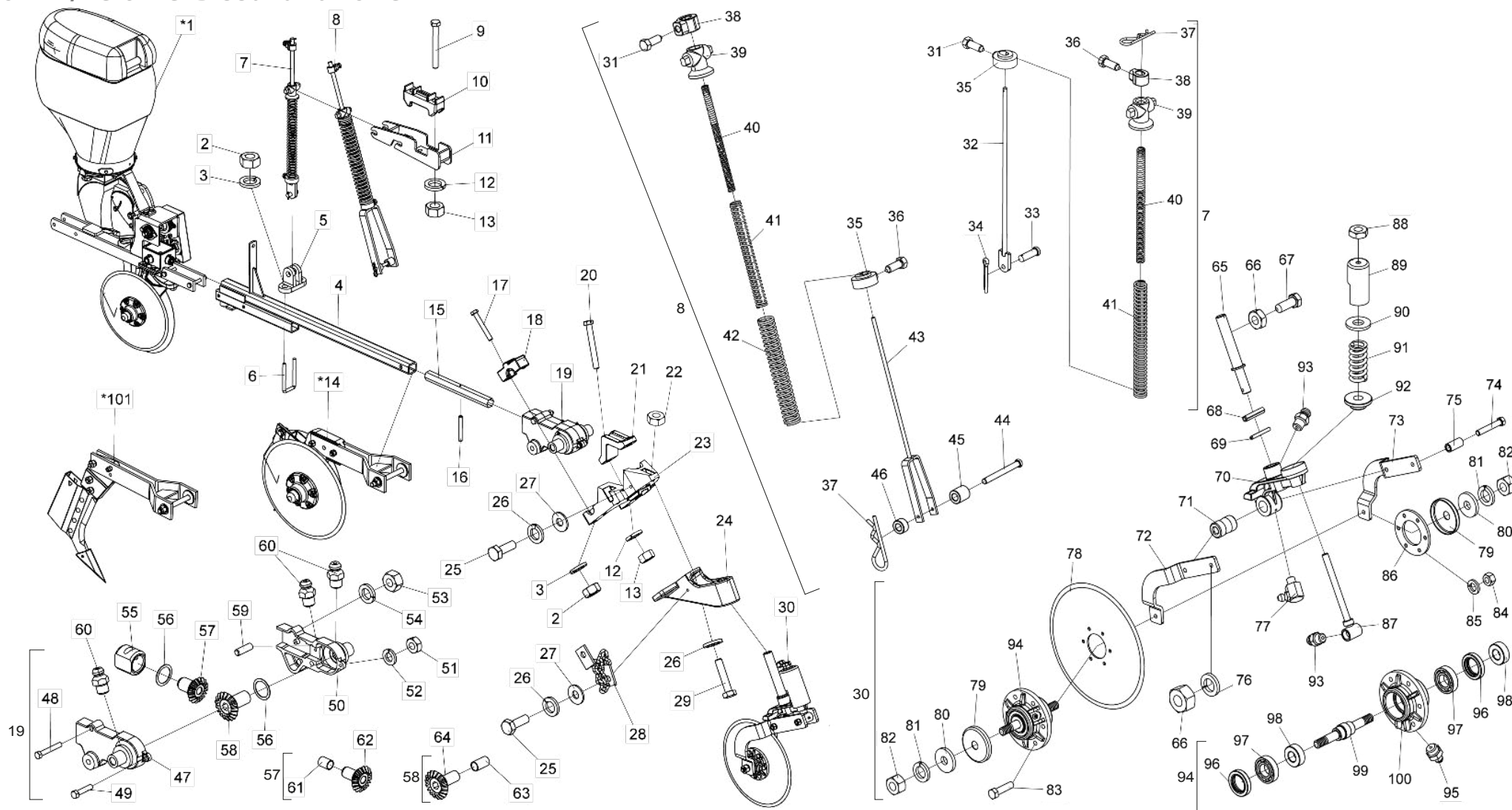
• Planter Rows



- * Items 1 and 16 - See page 30
- * Item 2 - See page 49
- * Item 3 - See page 38
- * Item 17 - See page 41

Item	Code	Product description	All
*1	2517011543-3	Left Large Row Unit W/Cutting Disc W/Double Disc Of Fertilizer For Wheel	1
*1	2517011849-1	Right Small Row Unit W/Cutting Disc W/Double Disc Of Fertilizer For Oscillating Wheel	1
*1	2517011566-2	Left Small Row Unit W/Cutting Disc W/Double Disc Of Fertilizer For Wheel	1
*2	5124010699-3	Cart With Depth Wheel Excentriw/Oscilating Wheel Type "V"(Regulagem Manual) Paralela	1
*3	5532010147-5	Complete Small Furrower	1
*3	5532010148-3	Complete Large Furrower	1
4	6020311061-0	Hexagonal Head Bolt 1/2" X 3.1/2" 12F W Gr5 Rp	1
5	6020010410-5	Pressure Washer 1/2" Media Industry	1
6	6020310754-7	Hexagonal Nut 1/2" 12F W Gr5 Ch.7/8" Height 12,00Mm	1
7	6020312060-8	Hexagonal Head Bolt 1/2" X 2.1/4" 12F W Gr5 Rp	1
8	5080020159-1	Bushing Of Ø13 X Ø19 X 21Mm	1
9	5558010318-8	Small Lock Of Cart	1
9	5558070050-0	Large Lock Of Cart	1
10	6020010410-5	Pressure Washer 1/2" Media Industry	1
11	6020310754-7	Hexagonal Nut 1/2" 12F W Gr5 Ch.7/8" Height 12,00Mm	1
12	5563010001-0	Complete Vacuum Gauge	1
13	6020430260-2	Vacuum-Gauge Diam.66Mm - Couter-Clockwise Range "0" To "100" Mbar	1
14	5372010150-1	Hose Ø8Mm X 200Mm	1
15	6020390109-0	Rotating Straight End Fitting 1/4"-Sae 37Gr Jic	1
Optional			
*16	2517011739-8	Left Large Row Unit W/Cutting Disc W/Small Furrower Of Fertilizer For Wheel	1
*16	2517011738-0	Right Small Row Unit W/Cutting Disc W/Small Furrower Of Fertilizer For Wheel	1
*17	5124010050-2	Row Of Depth Wheel And Wheel Type "V" (Excentric)	1

• Row W / Fertilizer Disc and Furrower



* Item 1 - See page 34
 * Item 14 - See page 37
 * Item 101 - See page 38

• Table Row W / Fertilizer Disc and Furrower

Item	Code	Product description	All	Large Left (Cutting Disc and fertilizer Double Disc)	Small Right (Cutting Disc and fertilizer Double Disc)	Small Left (Cutting Disc and fertilizer Double Disc)	Large Left (Cutting Disc and Fertilizer Small Furrower)	Small Right (Cutting Disc and Fertilizer Small Furrower)
*1	5124010566-0	Right Pneumatic Row For Oscilating Excentric Wheel		1		1	1	
*1	5124010584-9	Right Pneumatic Row For Oscilating Excentric Wheel			1			1
2	6020310820-9	Hexagonal Nut M12 X 1,75 Ma Cl8 Ch.19Mm H.10,00Mm	6					
3	6020010395-8	Pressure Washer M12 Media		8	6	6	6	6
4	5572015633-3	Beam Of Large Cart		1			1	
4	5572015632-5	Beam Of Small Cart			1	1		1
5	6010601172-1	Lower Support Of Rod (Small)	1					
6	5068010155-5	Clamp	1					
7	5566010048-1	Complete Spring Rod	1					
8	5566010049-0	Complete Spring Rod	1					
9	6020310164-6	Hexagonal Head Bolt M16 X 2,00 X 140Mm Cl8.8 Rp	2					
10	6010601783-5	Clamp 70Mm	1					
11	5530011500-3	Hitch Support Of Rod	1					
12	6020010124-6	Pressure Washer M16 Media	4					
13	6020310818-7	Hexagonal Nut M16 X 2,00 Ma Cl8 Ch.24Mm H.13,00Mm	4					
*14	5124010156-8	Complete Right Row Of Double Disc Fertilizer		1		1		
*14	5124010155-0	Complete Left Row Of Fertilizer Double Disc			1			
15	5232010478-5	Hexagonal Shaft 1/2" X 1255Mm		1			1	
15	5232010479-3	Hexagonal Shaft 1/2" X 1100Mm			1	1		1
16	6020310470-0	Heavy Elastic Pin Ø3 X 24Mm	2					
17	6020317495-3	Hexagonal Head Bolt M12 X 1,75 X 90Mm Cl8.8 Rp	4					
18	6010600369-9	Bearing Of Gear Box	2					
19	5092010525-1	Gear Box(Directa)	1					
20	6020317476-7	Hexagonal Head Bolt M16 X 2,00 X 130Mm Cl8.8 Rp		2	1	1	1	1
20	6020310164-6	Hexagonal Head Bolt M16 X 2,00 X 140Mm Cl8.8 Rp			1	1	1	1
21	6010601347-3	Fixation Shank Of Coulter Disc	1					
22	6020310822-5	Hexagonal Nut M10 X 1,50 Ma Cl8 Ch.17Mm H.8,00Mm	3					
23	5530012259-0	Support Of Gear Box Sla	1					
24	5530012257-3	Large Support Of Coulter Disc Sla		1		1	1	
24	5530012258-1	Small Support Of Coulter Disc Sla			1			1
25	6020317475-9	Hexagonal Head Bolt M10 X 1,50 X 30Mm Cl8.8 Rt	2					
26	6020010394-0	Pressure Washer M10 Media		3	5	5	5	5
27	5024010075-1	Smooth Washer Ø10,3 X Ø25 X 2,00Mm	2					
28	5192010043-4	Complete Chain De Ø5,5Mm 235Mm Cpl	1					
29	6020310313-4	Hexagonal Head Bolt M10 X 1,50 X 50Mm Cl8.8 Rp	3					
30	5124010258-0	Complete Coulter Disc Row	1					
31	6020310211-1	Hexagonal Head Bolt M12 X 1,75 X 30Mm Cl8.8 Rt	2					
32	5566020046-0	Rod Spring	1					
33	5432030173-7	Pin Ø5/8" X 46Mm	1					
34	6020050101-5	Cotterpin 1/8" X 1"	1					
35	5530016364-4	Lower Support Of Triple Spring	2					

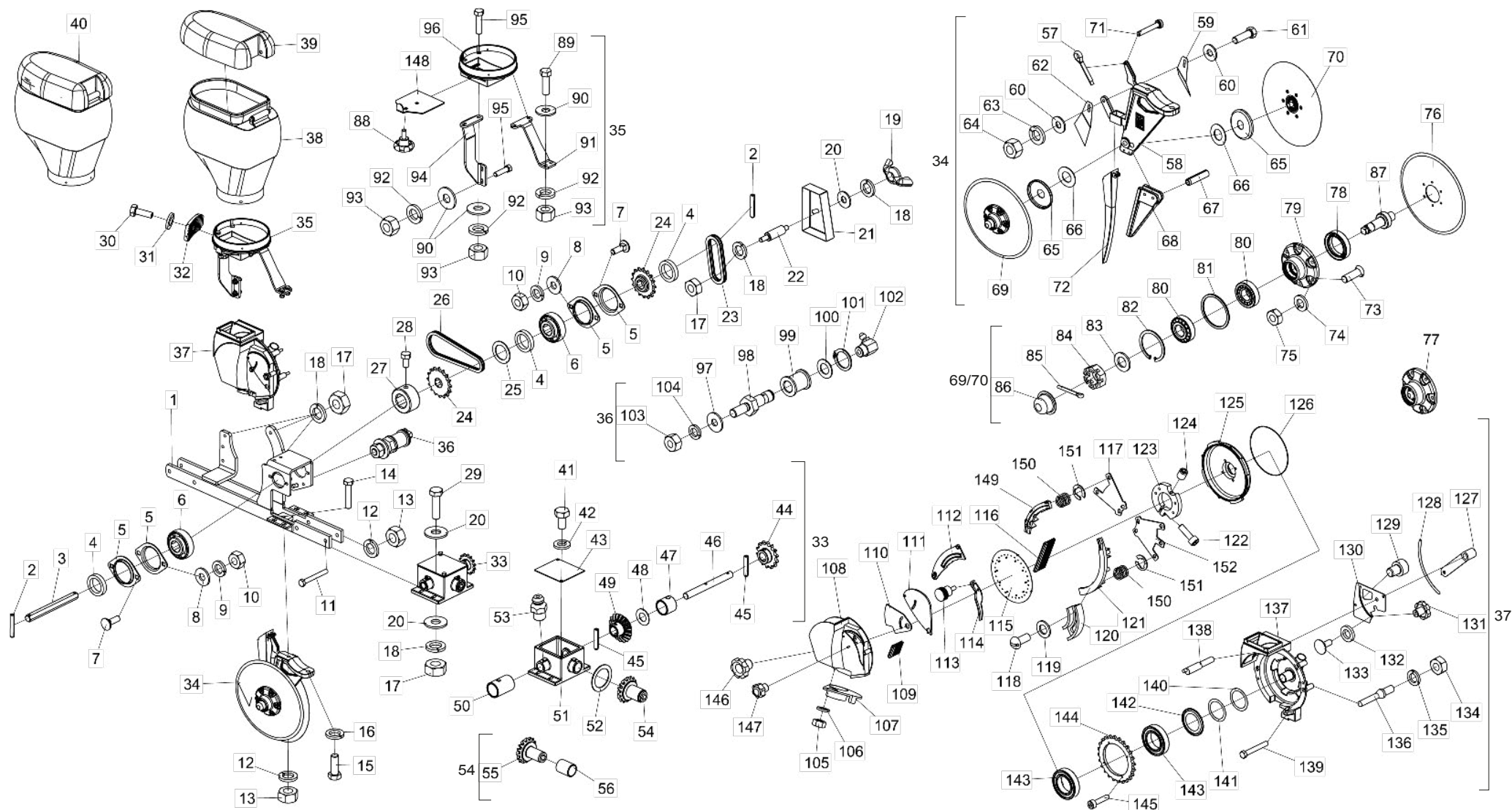
• Table Row W / Fertilizer Disc and Furrower

Item	Code	Product description	All	Large Left (Cutting Disc and fertilizer Double Disc)	Small Right (Cutting Disc and fertilizer Double Disc)	Small Left (Cutting Disc and fertilizer Double Disc)	Large Left (Cutting Disc and Fertilizer Small Furrower)	Small Right (Cutting Disc and Fertilizer Small Furrower)
36	6020310211-1	Hexagonal Head Bolt M12 X 1,75 X 30Mm Cl8.8 Rt	2					
37	6020390294-0	Lock Nma - Type "R" Ø3,5 X 67Mm(Special)	2					
38	5080011663-2	Fixation Support Of Spring Rod	2					
39	6010601280-9	Upper Lock Of Triple Spring	2					
40	6020250297-3	Helical Spring Ø17,5 X Ø25,5 X 400Mm Internal	2					
41	6020250298-1	Helical Spring Ø30,5 X Ø41,5 X 400Mm	2					
42	6020250299-0	Helical Spring Ø45,5 X Ø59,5 X 400Mm External	1					
43	5566010050-3	Rod Spring	1					
44	6020311276-1	Cylinder Head Pin Ø1/2" X 126Mm	1					
45	5080020776-0	Bushing Of Ø16,67 X Ø1.1/4" X 35Mm	1					
46	5080020777-8	Bushing Of Ø16,67 X Ø1.1/4" X 17Mm	1					
47	5092110013-0	Gear Right Box	1					
48	6020317495-3	Hexagonal Head Bolt M12 X 1,75 X 90Mm Cl8.8 Rp	2					
49	6020310560-9	Hexagonal Head Bolt M8 X 1,25 X 35Mm Cl8.8 Rt	1					
50	5092110014-8	Gear Left Box	1					
51	6020310454-8	Hexagonal Nut M8 X 1,25 Ma Cl8 Ch.13Mm H.6,50Mm	1					
52	6020010004-5	Pressure Washer M8 Media	1					
53	6020310820-9	Hexagonal Nut M12 X 1,75 Ma Cl8 Ch.19Mm H.10,00Mm	2					
54	6020010395-8	Pressure Washer M12 Media	2					
55	5080080013-4	Bushing Of Gear Box	1					
56	5024010243-6	Smooth Washer Ø30 X Ø39 X 0,91Mm	2					
57	5428010041-5	Pinion Of 16 Teeth With Bronze Bushing Ø28,4Mm	1					
58	5428010044-0	Pinion Of 18 Teeth With Bronze Bushing Ø28,4Mm	1					
59	5432090296-0	Flat Pin Ø3/8" X 30Mm	1					
60	6020130100-1	Grease Fitting 1/4"	3					
61	5080010243-7	Bronze Bushing Of Ø24 X Ø28,4 X 36.5Mm	1					
62	5428010009-1	Pinion Of 16 Teeth	1					
63	5080010242-9	Bronze Bushing Of Ø24 X Ø28,4 X 49Mm	1					
64	5428010008-3	Pinion Of 18 Teeth	1					
65	5232010226-0	Shaft With Washer	1					
66	6020310818-7	Hexagonal Nut M16 X 2,00 Ma Cl8 Ch.24Mm H.13,00Mm	4					
67	6020310279-0	Hexagonal Head Bolt M16 X 2,00 X 40Mm Cl8.8 Rt Wth Point	2					
68	6020310466-1	Heavy Elastic Pin Ø10 X 50Mm	1					
69	6020311231-1	Heavy Elastic Pin Ø6 X 50Mm	1					
70	5530010422-2	Support Of Coulter Disc	1					
71	5080020762-0	Bushing Of Ø16 X Ø36,1 X 55Mm	1					
72	5072010053-0	Right Arm Coulter Disc	1					
73	5072010054-9	Left Arm Of Coulter Disc	1					
74	6020310150-6	Hexagonal Head Bolt M16 X 2,00 X 100Mm Cl8.8 Rp	2					
75	5080020661-5	Bushing Of Ø16,2 X Ø26,5 X 57Mm	1					
76	6020010124-6	Pressure Washer M16 Media	2					

• Table Row W / Fertilizer Disc and Furrower

Item	Code	Product description	All	Large Left (Cutting Disc and fertilizer Double Disc)	Small Right (Cutting Disc and fertilizer Double Disc)	Small Left (Cutting Disc and fertilizer Double Disc)	Large Left (Cutting Disc and Fertilizer Small Furrower)	Small Right (Cutting Disc and Fertilizer Small Furrower)
77	6020130106-0	Grease Fitting 1/4"	1					
78	2859407388-8	Coulter Plain Disc Blade 16 X 4,50 Hc Rd 80Mm + 6H Rd 10,3Mm D=115Mm Doble Bevel	1					
79	5096010028-7	Hub Cap	2					
80	5024010289-4	Smooth Washer Ø20 X Ø58 X 8,00Mm	2					
81	6020010414-8	Pressure Washer 3/4" Media Industry	2					
82	6020310770-9	Hexagonal Nut 3/4" 10F Unc Gr5 Ch.1.7/32" Height 18,50Mm	2					
83	6020310980-9	Hexagonal Head Bolt M10 X 1,50 X 40Mm Cl8.8 Rt	6					
84	6020310822-5	Hexagonal Nut M10 X 1,50 Ma Cl8 Ch.17Mm H.8,00Mm	6					
85	6020010394-0	Pressure Washer M10 Media	6					
86	5284010001-4	Flange Of Disc Hub	1					
87	5566010051-1	Rod Spring	1					
88	6020310784-9	Hexagonal Nut 3/4" 10F Unc Gr5 Ch.1.1/4" Height 11,00Mm	2					
89	6020310691-5	Spring Protection	1					
90	5024010007-7	Smooth Washer Ø20,3 X Ø46,5 X 4,75Mm	1					
91	6020250281-7	Helical Spring Ø43 X Ø67 X 141Mm	1					
92	6010600980-8	Back Bushing	1					
93	6020130100-1	Grease Fitting 1/4"	2					
94	5204020099-1	Complete Hub	1					
95	6020130108-7	Grease Fitting 1/8"	1					
96	6020350201-2	Retainer Ø40,00 X Ø62,00 X 12,00Mm	2					
97	6020350007-9	Bearing 6206(Skf-Nsk-Timken)	2					
98	5080020761-1	Bushing Of Ø19,1 X Ø40 X 15Mm	2					
99	5232030120-3	Shaft R.Ø3/4" X 186Mm	1					
100	5204010088-1	Disc Hub	1					
			Optional					
*101	5532010128-9	Complete Small Furrower					1	
*101	5532010131-9	Complete Large Furrower						1

• Right/Left Pneumatic Row



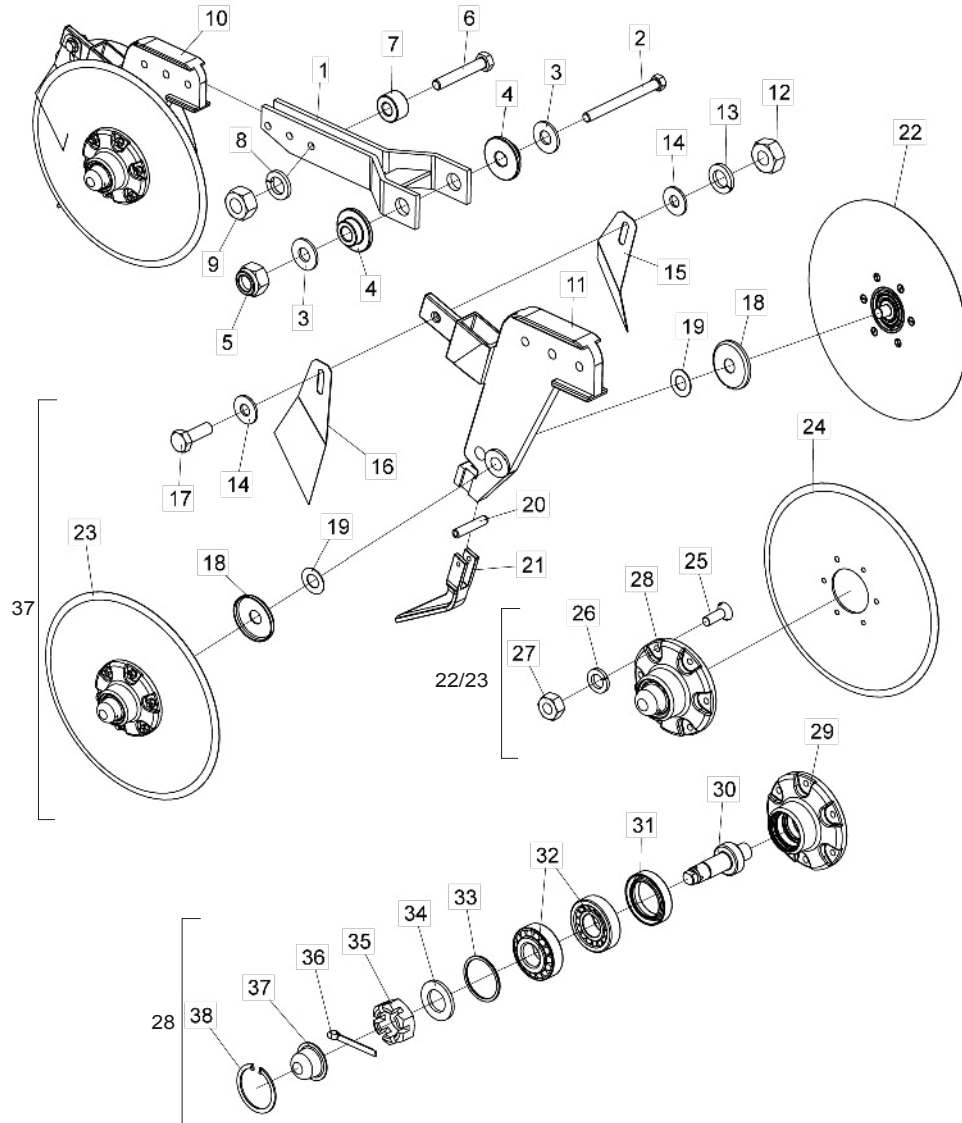
• Table Right/Left Pneumatic Row

Item	Code	Product description	All	Item	Code	Product description	All
1	5124010567-9	Pneumatic Row	1	40	6020055109-8	Plastic Box For Seed 45 Liters With Cover	1
2	6020310485-8	Heavy Elastic Pin Ø6 X 36Mm	2	41	6020311000-9	Hexagonal Head Bolt 1/4" X 1/2" 20F Unc1A Gr5 Rt	2
3	5232011214-1	Small Transmission Shaft	1	42	6020010402-4	Pressure Washer 1/4" Media Industry	2
4	5024010308-4	Smooth Washer Ø23 X Ø32 X 6,30Mm	3	43	5538010160-1	Gears Box Cover	1
5	6020250412-7	Steel Plate Bearing 03.52 Mst	4	44	5428020017-7	Pinion Of 14 Teeth	1
6	6020350104-0	Bearing F-110867-10 Hexagonal Hole 3/4"	2	45	6020310488-2	Heavy Elastic Pin Ø6 X 32Mm	2
7	6020317457-0	French Head Bolt M8 X 1,25 X 25Mm Cl8.8 Rt	4	46	5232011215-0	Shaft Ø3/4" X 191Mm	1
8	5024010073-5	Smooth Washer Ø8,5 X Ø20 X 2,00Mm	4	47	5080010253-4	Bushing Of Ø19 X Ø23 X 20Mm	1
9	6020010004-5	Pressure Washer M8 Media	4	48	5024010291-6	Smooth Washer Ø20 X Ø38 X 1,25Mm	1
10	6020310454-8	Hexagonal Nut M8 X 1,25 Ma Cl8 Ch.13Mm H.6,50Mm	4	49	5428010007-5	Pinion Of 18 Teeth	1
11	6020317451-1	Hexagonal Head Bolt M12 X 1,75 X 100Mm Cl8.8 Rp	2	50	5080010252-6	Bronze Bushing Of Ø19 X Ø23 X 35Mm	1
12	6020010395-8	Pressure Washer M12 Media	3	51	5092010075-6	Gear Box	1
13	6020310820-9	Hexagonal Nut M12 X 1,75 Ma Cl8 Ch.19Mm H.10,00Mm	3	52	5024010057-3	Smooth Washer Ø29,5 X Ø41 X 1,21Mm	1
14	6020310210-3	Hexagonal Head Bolt M12 X 1,75 X 60Mm Cl8.8 Rt	1	53	6020130100-1	Grease Fitting 1/4"	3
15	6020311270-2	Hexagonal Head Bolt M16 X 2,00 X 45Mm Cl8.8 Rt	1	54	5428010041-5	Pinion Of 16 Teeth With Bronze Bushing Ø28,4Mm	1
16	6020010124-6	Pressure Washer M16 Media	1	55	5428010009-1	Pinion Of 16 Teeth	1
17	6020310822-5	Hexagonal Nut M10 X 1,50 Ma Cl8 Ch.17Mm H.8,00Mm	8	56	5080010243-7	Bronze Bushing Of Ø24 X Ø28,4 X 36.5Mm	1
18	6020010394-0	Pressure Washer M10 Media	9	57	6020050099-0	Cotterpin 1/8" X 3/4"	2
19	6020030104-0	Nut Ø3/8" 16F Unc	1	58	5530014278-7	Right Support Of Double Disc	1
20	5024010075-1	Smooth Washer Ø10,3 X Ø25 X 2,00Mm	9	58	5530014277-9	Left Support Of Double Disc	1
21	5106010138-1	Chain Cap	1	59	5352030056-9	Internal Left Scraper Of Disc	2
22	5232011305-9	Fixation Shaft	1	60	5024010075-1	Smooth Washer Ø10,3 X Ø25 X 2,00Mm	4
23	6020055392-9	Chain (Asa 40) 34 Links + Reduction	1	61	6020310026-7	Hexagonal Head Bolt 3/8" X 1.1/4" 16F Unc1A Gr5 Rt	1
24	5256030048-4	Gear 16 Teeth	2	61	6020317475-9	Hexagonal Head Bolt M10 X 1,50 X 30Mm Cl8.8 Rt	1
25	5024010553-2	Smooth Washer Ø23 X Ø34 X 1,21Mm	2	62	5352030057-7	Internal Right Scraper Of Disc	2
26	6020055292-2	Chain (Asa 40) 57 Links + Amendment	1	63	6020010394-0	Pressure Washer M10 Media	2
27	5080010692-0	Bushing Of Ø1.1/2" X 20Mm W/Hexagonal Hole For Shaft 3/4"	1	64	6020310822-5	Hexagonal Nut M10 X 1,50 Ma Cl8 Ch.17Mm H.8,00Mm	2
28	6020310197-2	Hexagonal Head Bolt 5/16" X 5/8" 18F Unc1A Gr5 Rt	1	65	5096040002-7	Hub Internal Cap	4
29	6020310980-9	Hexagonal Head Bolt M10 X 1,50 X 40Mm Cl8.8 Rt	4	66	5024010024-7	Smooth Washer Ø20 X Ø38 X 1,21Mm	16
30	6020310016-0	Hexagonal Head Bolt 1/4" X 3/4" 20F Unc1A Gr5 Rt	4	67	6020310505-6	Heavy Elastic Pin Ø6 X 24Mm	4
31	6020010402-4	Pressure Washer 1/4" Media Industry	4	68	5352010016-0	Scraper	2
32	5530011945-9	Seed Box Fixation Support	4	69	5204010152-7	Complete Left Hub (Plain Disc 15" X 4,00Mm)	2
33	5092010527-8	Gear Box	1	70	5204010151-9	Complete Right Hub (Coulter Disc Blade 15" X 4,00Mm)	2
34	5530014282-5	Right Support Of Double Disc Of Seed	1	71	5432010344-7	Fixing Pin Da Bica	2
34	5530014279-5	Left Support Of Double Disc Of Seed	1	72	6020030689-1	Pneumatic Seed Distributor Funnel(Nardi-88001476)	2
35	5530014544-1	Hopper Support For 45 Liters	1	73	6020310145-0	Bolt 5/16" X 1" 18F Unc1A Gr5 Rt	12
36	5268010736-0	Complete Chain Stretcher	1	74	6020010404-0	Pressure Washer 5/16" Media Industry	12
37	6020071382-9	Pneumatic Batcher(Nardi-88002843)	1	75	6020310744-0	Hexagonal Nut 5/16" 18F Unc Gr5 Ch.1/2" Height 6,50Mm	12
38	6020055108-0	Plastic Box For Seed 45 Liters Without Cover	1	76	2857397276-9	Coulter Plain Disc Blade 15 X 4,00 Hc Rd 80Mm + 6H Rd 8,7Mm D=115Mm Single Bevel	2
39	6020390429-3	Cover Of Seed Plastic Hopper 45 Liters (Black)	1	77	5204010150-0	Right Disc Hub	1

• Table Right/Left Pneumatic Row

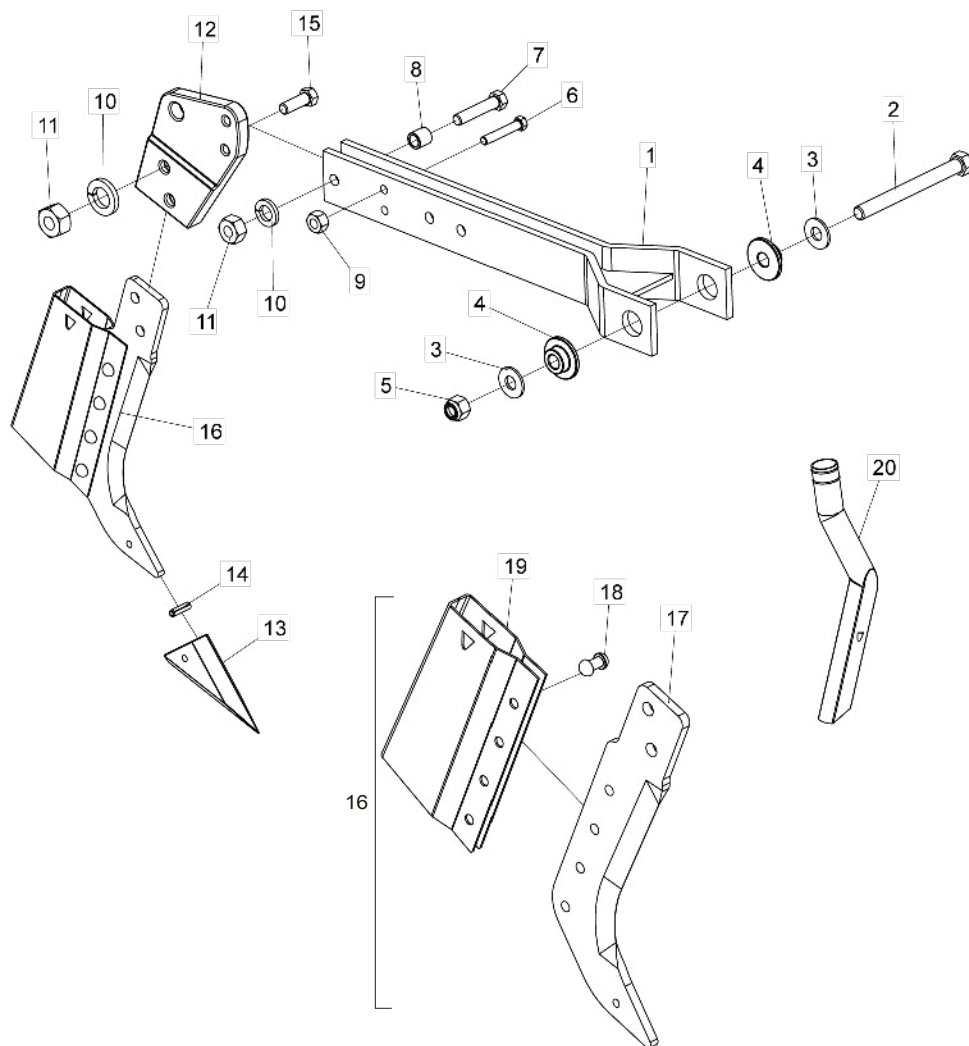
Item	Code	Product description	All	Item	Code	Product description	All
77	5204010149-7	Left Disc Hub	1	115	6020071465-5	Disc For Soy 70X4,25 (Nardi-88000538)	1
78	6020350268-3	Retainer Ø36,00 X Ø52,00 X 11,00Mm	2	115	6020071495-7	Disc For Cotton 48X3,0 (Nardi-88001884)	1
79	5204010148-9	Hub Of Ø136 X 54Mm	2	115	6020071498-1	Disc For Beam 40X4,0 (Nardi-88001888)	1
80	6020350087-7	Bearing 30204	4	116	6020317518-6	Large Brush Distributor (Nardi-88001340)	1
81	6020010095-9	Gascket Ring 047X 052X 2Mm	2	117	6020055102-0	Plate Of Counter-Selector Support	1
82	6020010289-7	Retaining Ring I-55	2	118	6020317508-9	Cilinder Head Slotted Bolt M6 X 1,00 X 15Mm Cl8.8 Rt (Nardi-	4
83	6020010513-6	Plain Washer Ø20 X Ø35 X 3Mm	2	119	6020011048-2	Plain Washer Ø6,3 X Ø11Mm (Nardi-11456006)	4
84	6020310797-0	Nut 3/4" 16F Unf Gr5 Ch.1.1/16" Height 13,00Mm	2	120	6020030684-0	Central Base Of Distributor Disc(Nardi-11730578)	2
85	6020050101-5	Cotterpin 1/8" X 1"	2	121	6020170042-9	Complete Switch Seed Caida	1
86	6020050641-6	Hub Cap	2	122	6020317505-4	Allen Bolt C/C M6 X 1,00 X 20Mm Cl12.9 Rt (Phosphated)(Nardi-11680448)	1
87	5232010077-1	Shaft Ø36 X 94Mm With Right Thread	1	123	6020110105-3	Support Flange Of Distributor Roll (Nardi-11760434)	1
87	5232010076-3	Shaft Ø36 X 94Mm With Left Thread	1	124	6020317506-2	Allen Bolt S/C M6 X 1,00 X 8,00Mm Cl12.9 Rt (Phosphated)(Nardi-11686032)	1
88	6020250454-2	Knob Male Thermoplastic - Thread 3/8"Unc X 20Mm	1	125	6020055100-4	Campana Portadisco(Nardi-11760446)	1
89	6020317475-9	Hexagonal Head Bolt M10 X 1,50 X 30Mm Cl8.8 Rt	2	126	6020011051-2	Gascket Ring Ø228 X Ø223 X 2,62Mm - Nbr-70(Nardi-11205173)	1
90	5024010075-1	Smooth Washer Ø10,3 X Ø25 X 2,00Mm	8	127	6020170041-0	Selector Indicator (Nardi-11760444)	1
91	5530014543-3	Fixation Small Support Of Deposit	1	128	6020071857-0	Sticker Numeric Regulating Shaft (Nardi-11130096)	1
92	6020010394-0	Pressure Washer M10 Media	8	129	6020317509-7	Allen Bolt C/C M8 X 1,25 X 10Mm Cl12.9 Rp (Phosphated)(Nardi-11680456)	2
93	6020310822-5	Hexagonal Nut M10 X 1,50 Ma Cl8 Ch.17Mm H.8,00Mm	8	130	6020055098-9	Guide Selector Plate (Nardi-11760443)	1
94	5530014542-5	Fixation Large Supportof Deposit	1	131	6020250566-2	Knop M6 Of Batcher (Nardi-11420063)	1
95	6020310980-9	Hexagonal Head Bolt M10 X 1,50 X 40Mm Cl8.8 Rt	6	132	6020011049-0	Plastic Washer Ø12 X Ø7 X 2Mm (Nardi-11760445)	2
96	5044010231-7	Fixation Base Of Pneumatic Seed Box	1	133	6020317455-4	French Head Bolt M6 X 1,00 X 16Mm Cl8.8 Rp	1
97	5024010068-9	Smooth Washer Ø13,3 X Ø35,5 X 3,00Mm	1	134	6020310822-5	Hexagonal Nut M10 X 1,50 Ma Cl8 Ch.17Mm H.8,00Mm	2
98	5232011087-4	Shaft Of Stretcher Spe	1	135	6020010394-0	Pressure Washer M10 Media	2
99	5506010033-0	Roller Of Stretcher	1	136	6020317510-0	Block Bolt Of Distributor (Nardi-11760473)	2
100	5024010059-0	Smooth Washer Ø16,5 X Ø29 X 1,21Mm	1	137	6020071384-5	Aluminium Distributor (Nardi-88000227)	1
101	6020010252-8	Retaining Oring	1	138	6020090610-4	Excentric Selector (Nardi-11760442)	1
102	6020130112-5	Grease Fitting 1/8"	1	139	6020312519-7	Hexagonal Head Bolt 3/8" X 2.3/4" 16F Unc1A Gr5 Rp	3
103	6020310754-7	Hexagonal Nut 1/2" 12F W Gr5 Ch.7/8" Height 12,00Mm	1	140	6020090649-0	Inox Spacing Ø40,5 X Ø52 X 0,3Mm (Nardi-11233591)	1
104	6020010410-5	Pressure Washer 1/2" Media Industry	1	141	6020090648-1	Inox Spacing Ø40,5 X Ø52 X 0,2Mm (Nardi-11233590)	1
105	6020311257-5	Hexagonal Nut M6 X 1,00 Ma Cl8 Ch.10Mm H.5,00Mm	1	142	6020015771-3	Ring Av 6008(Nardi-11014008)	1
106	6020010122-0	Pressure Washer M6 Media	1	143	6020350184-9	Sphere Rigid Bearing Skf-6008 2Rs(Nardi-11075312)	2
107	6020317512-7	Drain Door For Seed (Nardi-11760544)	1	144	6020090611-2	Gear Z-26 Distributor (Nardi-11760454)	1
108	6020390874-4	Distributor Cover (Nardi-88000228)	1	145	6020317516-0	Allen Bolt C/C M4 X 0,70 X 20Mm Ma Cl12.9 Rt (Phosphated)	4
109	6020317517-8	Brush Distributor (Nardi-88001339)	1	146	6020250568-9	Knop M8 Of Distributor (Nardi-11420060)	2
110	6020350886-0	Regulator Of Seed Input (Nardi-11760447)	1	147	6020250569-7	Knop Of Acrylic (Nardi-11420068)	1
111	6020317511-9	Inspection Door Of Distributor (Nardi-11760449)	1	148	5538014729-6	Internal Cover Of Dosing	1
112	6020370210-0	Distriburtor Selector With Magnets (Nardi-11730574)	1	149	6020030686-7	Conter-Selector Base	1
113	6020250567-0	Knop M6 X 10 With End (Nardi-11420066)	1	150	6020250571-9	Seed Selector Spring	5
114	6020370212-7	Seletor Inferior Lower Selector (Nardi-11730575)	1	151	6020010245-5	Retaining Ring Rs-08	5
115	6020071463-9	Disc For Maize 30X4,5 (Nardi-88000535)	1	152	6020055101-2	Plate Of Seed Caida	1
115	6020071464-7	Disc For Sorgum 70X2,0 (Nardi-88000543)	1				

• Double Disc of Fertilizer



Item	Code	Product description	All
1	5530010621-7	Fixation Support	1
2	6020310365-7	Hexagonal Head Bolt M16 X 2,00 X 170Mm Cl8.8 Rp	1
3	5024010239-8	Smooth Washer Ø16,5 X Ø37 X 3,00Mm	2
4	5080010260-7	Bushing Of Ø16,5 X Ø2" X 16Mm	2
5	6020317443-0	Self-Locking Nut With Nylon M16 X 2,00 Ma Cl8 Ch.24Mm H.16,00Mm	1
6	6020317411-2	Hexagonal Head Bolt M12 X 1,75 X 75Mm Cl8.8 Rt	2
7	5080020772-7	Bushing Of Ø14,3 X Ø1.1/4" X 18,5Mm	2
8	6020010395-8	Pressure Washer M12 Media	2
9	6020310820-9	Hexagonal Nut M12 X 1,75 Ma Cl8 Ch.19Mm H.10,00Mm	2
10	5124010260-2	Row Of Double Disc Fertilizer	1
10	5124010259-9	Left Cart Of Fertilizer Double Disc	1
11	5112010017-7	Right Housing Of Fertilizer Double Disc	1
11	5112010016-9	Left Housing Of Fertilizer Double Disc	1
12	6020310822-5	Hexagonal Nut M10 X 1,50 Ma Cl8 Ch.17Mm H.8,00Mm	2
13	6020010394-0	Pressure Washer M10 Media	2
14	5024010075-1	Smooth Washer Ø10,3 X Ø25 X 2,00Mm	4
15	5352030056-9	Internal Left Scraper Of Disc	2
16	5352030057-7	Internal Right Scraper Of Disc	2
17	6020317475-9	Hexagonal Head Bolt M10 X 1,50 X 30Mm Cl8.8 Rt	2
18	5096040002-7	Hub Internal Cap	4
19	5024010024-7	Smooth Washer Ø20 X Ø38 X 1,21Mm	12
20	6020310502-1	Heavy Elastic Pin Ø5 X 24Mm	2
21	5352030052-6	Lower Scraper Of Fertilizer Disc	2
22	5204010152-7	Complete Left Hub (Plain Disc 15" X 4,00Mm)	2
23	5204010151-9	Complete Right Hub (Coulter Disc Blade 15" X 4,00Mm)	2
24	2857397276-9	Coulter Plain Disc Blade 15 X 4,00 Hc Rd 80Mm + 6H Rd 8,7Mm D=115Mm Single Bevel	4
25	6020310235-9	Bolt M8 X 1,25 X 25Mm Cl8.8 Rt	24
26	6020010004-5	Pressure Washer M8 Media	24
27	6020310454-8	Hexagonal Nut M8 X 1,25 Ma Cl8 Ch.13Mm H.6,50Mm	24
28	5204010150-0	Right Disc Hub	2
28	5204010149-7	Left Disc Hub	2
29	5204010148-9	Hub Of Ø136 X 54Mm	4
30	5232010077-1	Shaft Ø36 X 94Mm With Right Thread	2
30	5232010076-3	Shaft Ø36 X 94Mm With Left Thread	2
31	6020350268-3	Retainer Ø36,00 X Ø52,00 X 11,00Mm	4
32	6020350087-7	Bearing 30204	8
33	6020010095-9	Gascket Ring 047X 052X 2Mm	4
34	6020010513-6	Plain Washer Ø20 X Ø35 X 3Mm	4
35	6020310797-0	Nut 3/4" 16F Unf Gr5 Ch.1.1/16" Height 13,00Mm	4
36	6020050101-5	Cotterpin 1/8" X 1"	4
37	6020050641-6	Hub Cap	4
38	6020010289-7	Retaining Ring I-55	4

• Furrower



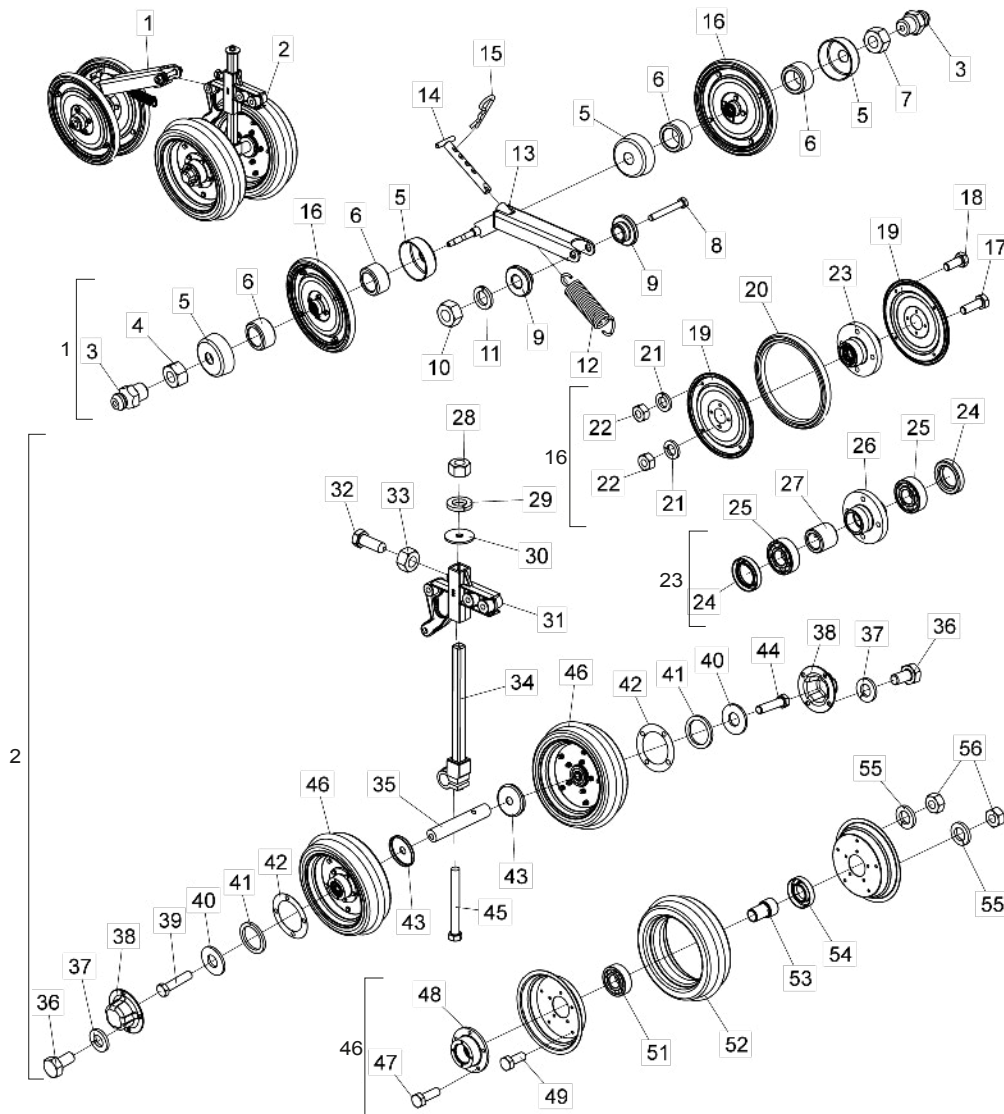
The Furrower is made up of all the parts listed in this list, however when sold complete item 20 will not accompany it.

Item	Code	Product description					
			All	Large	Small	Large (Boarding)	Small (Boarding)
1	5530010654-3	Large Fixation Support Of Furrower		1		1	
1	5530010619-5	Fixation Support Of Furrower			1		1
2	6020310365-7	Hexagonal Head Bolt M16 X 2,00 X 170Mm Cl8.8 Rp		1	1		
3	5024010239-8	Smooth Washer Ø16,5 X Ø37 X 3,00Mm		2	2		
4	5080010260-7	Bushing Of Ø16,5 X Ø2" X 16Mm		2	2		
5	6020317443-0	Self-Locking Nut With Nylon M16 X 2,00 Ma Cl8 Ch.24Mm H.16,00Mm		1	1		
6	6020310151-4	Hexagonal Head Bolt M10 X 1,50 X 60Mm Cl8,8 Rt		1	1		
6	6020310991-4	Hexagonal Head Bolt 3/8" X 2.1/4" 16F Unc Gr5 Rt				1	1
7	6020310210-3	Hexagonal Head Bolt M12 X 1,75 X 60Mm Cl8.8 Rt		1	1		
7	6020310063-1	Hexagonal Head Bolt 1/2" X 2.1/2" 20F Unf1A Gr5 Rp					1
8	5080010262-3	Articulation Bushing	1				
9	6020310822-5	Hexagonal Nut M10 X 1,50 Ma Cl8 Ch.17Mm H.8,00Mm		2	2		
9	6020310746-6	Hexagonal Nut 3/8" 16F Unc Gr5 Ch.9/16" Height 8,50Mm				2	2
10	6020010395-8	Pressure Washer M12 Media		3	3		
10	6020010410-5	Pressure Washer 1/2" Media Industry				3	2
11	6020310820-9	Hexagonal Nut M12 X 1,75 Ma Cl8 Ch.19Mm H.10,00Mm		3	3		
11	6020317433-3	Hexagonal Nut 1/2" 20F Unf Gr5 Ch.7/8" Height 12,00Mm				3	2
12	5530010424-9	Furrower Support	1				
13	6010601364-3	Furrower Point	1				
14	6020310490-4	Heavy Elastic Pin Ø8 X 28Mm	1				
15	6020310152-2	Hexagonal Head Bolt M12 X 1,75 X 40Mm Cl8.8 Rp		2	2		
15	6020317432-5	Hexagonal Head Bolt 1/2" X 1.1/2" 20F Unf Gr5 Rt				2	2
16	5532010125-4	Furrower W/Conductor Of Fertilizer	1				
17	5274010056-4	Large Knife Shank	1				
18	6020350490-2	Head Socket Rivet 3/8" X 1.1/4"	4				
19	5150010007-2	Fertilizer Conductor	1				
20	6020030118-0	Right Round Funnel	1				
20	6020030119-9	Left Round Funnel	1				

• Table Complete Oscilant Wheel

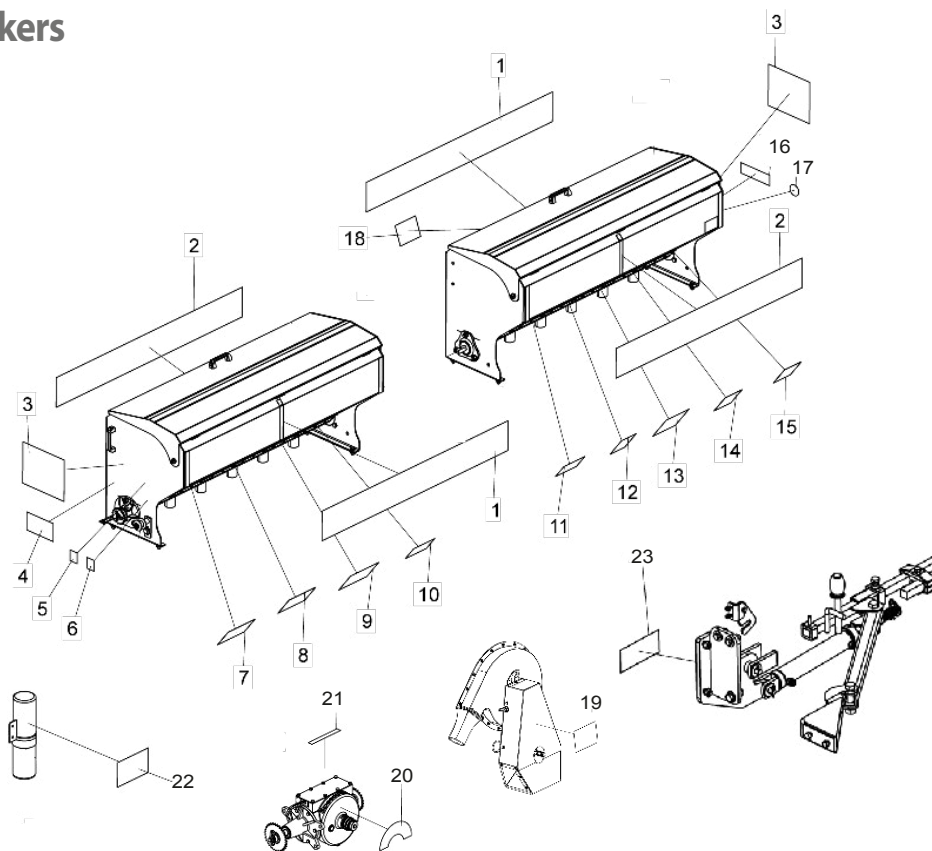
Item	Code	Product description	All	Item	Code	Product description	All
1	6020310979-5	Hexagonal Head Bolt M12 X 1,75 X 110Mm Cl8.8 Rp	1	50	5530014328-7	Articulation Support Of Depth Wheel	1
2	5080010945-8	Adjustment Eccentric Bushing Compactor Wheel	2	51	6020310501-3	Heavy Elastic Pin Ø5 X 32Mm	1
3	6020010395-8	Pressure Washer M12 Media	1	52	5232011180-3	Articulation Shaft With Bushing	1
4	6020310820-9	Hexagonal Nut M12 X 1,75 Ma Cl8 Ch.19Mm H.10,00Mm	1	53	5232011182-0	Shaft Ø1" X 244,3Mm	1
5	6020250318-0	Helical Spring Ø23 X Ø31 X 106Mm	1	54	6020310508-0	Heavy Elastic Pin Ø8 X 40Mm	1
6	6020311045-9	Hexagonal Head Bolt 1/2" X 1" 12F W Gr5 Rt	2	55	6020310976-0	Hexagonal Head Bolt M8 X 1,25 X 45Mm Cl8.8 Rp	1
7	6020010410-5	Pressure Washer 1/2" Media Industry	2	56	6020310437-8	Hexagonal Head Bolt M10 X 1,50 X 35Mm Cl8.8 Rt	3
8	5024010068-9	Smooth Washer Ø13,3 X Ø35,5 X 3,00Mm	2	57	5530014332-5	Right Support Of Depth Wheel	1
9	5024010323-8	Smooth Washer Ø27 X Ø44,5 X 4,75Mm	12	58	5530014331-7	Left Support Of Depth Wheel	1
10	5530014335-0	Complete Support "V" Wheel	1	59	6020010394-0	Pressure Washer M10 Media	3
11	5530014329-5	Articulation Support Of Row	1	60	6020310822-5	Hexagonal Nut M10 X 1,50 Ma Cl8 Ch.17Mm H.8,00Mm	3
12	5124010716-7	Complete Right Row Of Depth Wheel	1	61	5530014327-9	Articulation Support Of Spring	1
13	5124010717-5	Complete Left Row Of Depth Wheel	1	62	6020010004-5	Pressure Washer M8 Media	8
14	5080010423-5	Bushing Of Handle	1	63	6020317477-5	Hexagonal Head Bolt M8 X 1,25 X 30Mm Cl8.8 Rt	8
15	5468010289-1	Wheel Handle "V"	1	64	6020310179-4	Hexagonal Head Bolt 5/8" X 1.3/4" 11F Unc1A Gr5 Rt	2
16	6020250233-7	Helical Spring Ø16,8 X Ø20 X 34Mm	1	65	6020010412-1	Pressure Washer 5/8" Media Industry	2
17	5530016410-1	Articulation Support Of "V" Wheel	1	66	5024010051-4	Smooth Washer Ø16 X Ø44 X 1,21Mm	2
18	6020310502-1	Heavy Elastic Pin Ø5 X 24Mm	1	67	6020310454-8	Hexagonal Nut M8 X 1,25 Ma Cl8 Ch.13Mm H.6,50Mm	8
19	5232011186-2	Shaft Of Wheel Type "V" Regulating	1	68	5498090018-8	Deph Wheel	2
20	6020430203-3	Handle Pma 330 Thread 3/8" X 16 Fios	1	69	5530015622-2	Complete Support Of Right Wheel	1
21	5008010224-8	Adjustment Handle Of Pressure Spring	1	69	5530015623-0	Complete Left Support Of Wheel	1
22	6020311241-9	French Head Pin Ø9,8 X 33Mm	2	70	5204010512-3	Complete Right Wheel Hub	1
23	6020050099-0	Cotterpin 1/8" X 3/4"	2	70	5204010511-5	Complete Left Wheel Hub	1
24	5558010358-7	Adjustment Lock Of Handle	1	71	6020130100-1	Grease Fitting 1/4"	2
25	6010602527-7	Fixation Lock Of Wheel Type "V"	1	72	6020311030-0	Hexagonal Head Bolt 3/8" X 5/8" 16F Unc1A Gr2 Rt	2
26	5024010075-1	Smooth Washer Ø10,3 X Ø25 X 2,00Mm	2	73	6020010406-7	Pressure Washer 3/8" Media Industry	2
27	6020010394-0	Pressure Washer M10 Media	2	74	5024010075-1	Smooth Washer Ø10,3 X Ø25 X 2,00Mm	2
28	6020317475-9	Hexagonal Head Bolt M10 X 1,50 X 30Mm Cl8.8 Rt	2	75	5080011257-2	Bushing Of Ø20 X Ø25 X 31Mm	2
29	6020130100-1	Grease Fitting 1/4"	2	76	5530015535-8	Support Of Right Wheel	1
30	6020310736-9	Hexagonal Nut 9/16" 18F Unf Gr5 Ch.7/8" Height 12,50Mm	1	76	5530015534-0	Left Support Of Wheel	1
31	5096010033-3	Hub Cap	4	77	5080010256-9	Bronze Bushing Of Ø25,5 X Ø30,50 X 30,50Mm	2
32	5080020710-7	Bushing Of Ø15 X Ø22,22 X 12Mm	4	78	5232010948-5	Complete Right Shaft Of Cart	1
33	6020310737-7	Hexagonal Nut 9/16" 18F Rf/Esq Unf Gr5 Ch.7/8" Height 12,50Mm	1	78	5232010957-4	Complete Left Shaft Of Cart	1
34	5498090024-2	Spare Compaction Wheel	2	79	6020350204-7	Retainer Ø25,00 X Ø47,00 X 10,00Mm	2
35	6020310454-8	Hexagonal Nut M8 X 1,25 Ma Cl8 Ch.13Mm H.6,50Mm	16	80	6020350867-3	Sphere Rigid Bearing 6204 (Skf-Nsk-Timken)	4
36	6020311269-9	Hexagonal Head Bolt M8 X 1,25 X 20Mm Cl8.8 Rt	8	81	5204070028-5	Depth Wheel Hub	2
37	6020310448-3	Hexagonal Head Bolt M8 X 1,25 X 25Mm Cl8.8 Rt	8	82	5024010330-0	Smooth Washer Ø38,8 X Ø50,2 X 4,00Mm	2
38	5288020025-9	Wheel Ring	4	83	6020190098-3	Gascket Ø50,3 X Ø73,5 X 1/64"	2
39	6020010808-9	Rim 300 X 25Mm	2	84	6020310738-5	Hexagonal Nut 5/8" 11F Unc Gr5 Ch.1.1/16" Height 11,00Mm	1
40	6020010004-5	Pressure Washer M8 Media	16	84	6020310833-0	Hexagonal Nut 5/8" 11F Esq Unc Gr5 Ch.1.1/16" Height 11,00Mm	1
41	5204110018-4	Complete Hub Of Wheel	2	85	6020050640-8	Hub Cap	2
42	5080020655-0	Bushing Of Ø16 X Ø25 X 22Mm	2	86	6020311000-9	Hexagonal Head Bolt 1/4" X 1/2" 20F Unc1A Gr5 Rt	8
43	6020350211-0	Retainer Ø22,00 X Ø35,00 X 6,70Mm	4	87	6020010402-4	Pressure Washer 1/4" Media Industry	8
44	6020350871-1	Sphere Rigid Bearing 6202 (Skf-Nsk-Timken)	4	88	5024010154-5	Smooth Washer Ø16 X Ø29 X 3,00Mm	2
45	5204110017-6	Wheel Hub	2	89	6020311269-9	Hexagonal Head Bolt M8 X 1,25 X 20Mm Cl8.8 Rt	4
46	6020317449-0	Self-Locking Nut With Nylon Low M8 X 1,25 Ma Cl8 Ch.13Mm H.8,00Mm	1	90	6020010825-9	Large Rim Of Compaction Wheel	2
47	5468010305-7	Puxador Da Roda "V".	1	91	6020030183-0	Compaction Wheel 100-12(Large)	1
48	5080010943-1	Bushing Of Handle	1	92	6020010004-5	Pressure Washer M8 Media	4
49	6020250574-3	Helical Spring Ø22,5 X Ø28,5 X 37Mm	1	93	6020310454-8	Hexagonal Nut M8 X 1,25 Ma Cl8 Ch.13Mm H.6,50Mm	4

• Complete Eccentric Wheel



Item	Code	Product description	All
1	5124080057-1	Row Of Compaction Wheel Type "V"	1
2	5124080050-4	Row Of Depth Wheel With Regulating Support	1
3	6020130100-1	Grease Fitting 1/4"	2
4	6020310736-9	Hexagonal Nut 9/16" 18F Unf Gr5 Ch.7/8" Height 12,50Mm	1
5	5096010033-3	Hub Cap	4
6	5080020710-7	Bushing Of Ø15 X Ø22,22 X 12Mm	4
7	6020310737-7	Hexagonal Nut 9/16" 18F Rf/Esq Unf Gr5 Ch.7/8" Height 12,50Mm	1
8	6020317495-3	Hexagonal Head Bolt M12 X 1,75 X 90Mm Cl8.8 Rp	1
9	5080020484-1	Bushing Of Ø13,1 X Ø31,5 X 12,5Mm	2
10	6020310820-9	Hexagonal Nut M12 X 1,75 Ma Cl8 Ch.19Mm H.10,00Mm	1
11	6020010395-8	Pressure Washer M12 Media	1
12	6020250658-8	Helical Spring Ø21,5 X Ø28,5 X 95Mm	1
13	5530160231-5	Small Oscilating Support	1
14	5432060014-9	Handle 5/8" X 131Mm	1
15	6020390308-4	Lock Nma - Type "R" Ø4,5 X 80Mm	1
16	5498090024-2	Spare Compaction Wheel	2
17	6020310448-3	Hexagonal Head Bolt M8 X 1,25 X 25Mm Cl8.8 Rt	8
18	6020311269-9	Hexagonal Head Bolt M8 X 1,25 X 20Mm Cl8.8 Rt	8
19	5288020025-9	Wheel Ring	4
20	6020010808-9	Rim 300 X 25Mm	2
21	6020010004-5	Pressure Washer M8 Media	16
22	6020310454-8	Hexagonal Nut M8 X 1,25 Ma Cl8 Ch.13Mm H.6,50Mm	16
23	5204110018-4	Complete Hub Of Wheel	2
24	6020350211-0	Retainer Ø22,00 X Ø35,00 X 6,70Mm	4
25	6020350871-1	Sphere Rigid Bearing 6202 (Skf-Nsk-Timken)	4
26	5204110017-6	Wheel Hub	2
27	5080020655-0	Bushing Of Ø16 X Ø25 X 22Mm	2
28	6020310746-6	Hexagonal Nut 3/8" 16F Unc Gr5 Ch.9/16" Height 8,50Mm	1
29	6020010406-7	Pressure Washer 3/8" Media Industry	1
30	5024010206-1	Smooth Washer Ø10,6 X Ø44 X 3,00Mm	1
31	5530180108-3	Support Of Regulator	1
32	6020311069-6	Hexagonal Head Bolt 5/8" X 1.3/4" 11F Unc1A Gr5 Rt Wth Point	1
33	6020310765-2	Hexagonal Nut 5/8" 11F Unc Gr5 Ch.15/16" Height 14,00Mm	1
34	5484040022-3	Depth Regulator	1
35	5232020121-7	Shaft Ø1.1/4" X 190Mm	1
36	6020311000-9	Hexagonal Head Bolt 1/4" X 1/2" 20F Unc1A Gr5 Rt	8
37	6020010402-4	Pressure Washer 1/4" Media Industry	8
38	6020050640-8	Hub Cap	2
39	6020310292-8	Hexagonal Head Bolt 5/8" X 2.3/4" 11F Unc1A Gr5 Rp Rosca Direita	1
40	5024010239-8	Smooth Washer Ø16,5 X Ø37 X 3,00Mm	2
41	5024010330-0	Smooth Washer Ø38,8 X Ø50,2 X 4,00Mm	2
42	6020190098-3	Gascket Ø50,3 X Ø73,5 X 1/64"	2
43	5096010031-7	Cap Ø16 X Ø63,6 X 7,6Mm	2
44	6020310293-6	Hexagonal Head Bolt 5/8" X 2.3/4" 11F Unc1A Gr5 Rp Rosca Esquerda	1
45	6020311039-4	Hexagonal Head Bolt 3/8" X 15.1/2" 16F Unc1A Gr2 Rp	1
46	5498100047-4	Small Compaction Wheel	2
47	6020310448-3	Hexagonal Head Bolt M8 X 1,25 X 25Mm Cl8.8 Rt	10
48	5204010174-8	Compaction Wheel Hub	2
49	6020311269-9	Hexagonal Head Bolt M8 X 1,25 X 20Mm Cl8.8 Rt	10
50	5018010016-1	Rubber Wheel Rim	4
51	6020350021-4	Bearing 6204	4
52	6020010812-7	Convex Compaction Rim 811/9 103-8	2
53	5080010146-5	Bushing Of Ø16 X Ø26 X 44Mm	2
54	6020350204-7	Retainer Ø25,00 X Ø47,00 X 10,00Mm	2
55	6020010004-5	Pressure Washer M8 Media	20
56	6020310454-8	Hexagonal Nut M8 X 1,25 Ma Cl8 Ch.13Mm H.6,50Mm	20

• Stickers



Item	Code	Product description	All	SLA-Air 3000 With Finishing Right	SLA-Air 3000 Without Finishing Right	SLA-Air 3000 With Finishing Left	SLA-Air 3000 Without Finishing Left
1	6020071584-8	Sticker Sla Speed Box 3000 Air (165 X 1325Mm)	1				
2	6020070363-7	Sticker Baldan (165 X 1325Mm)	1				
3	6020070790-0	Sticker Logotype Baldan (230 X 280Mm)	1				
4	5206010311-9	Sticker Row Marker Warning (180 X 100Mm)		1	1		
5	6020071027-7	Sticker Certificado Iso 9001-2015 (48 X 60Mm)		1	1		
6	6020071026-9	Sticker Brazilian Company(48 X 60Mm)		1	1		
7	6020070370-0	Sticker Fertilizer Distribution Table Sla Precision 2500/3000 31X20		1	1		
8	6020070369-6	Sticker Fertilizer Distribution Table Sla Precision 2500/3000 20X31		1	1		
9	5206010304-6	Sticker Change Of Oil For Speed Box(135 X 200Mm)		1	1		
10	5206010308-9	Sticker Hydraulic Hoses Warning(150 X 95Mm)		1	1		
11	5206010310-0	Sticker Disc Warning (150 X 95Mm)				1	1
12	5206010278-3	Sticker For Cleaning The Fertilizer Hopper (105 X 130Mm)				1	1
13	5206010307-0	Sticker Of Gear And Chains Warning (145 X 150Mm)				1	1
14	6020071608-9	Sticker Seed Distribution Table For Linear Meter Sla-Air 20 X 25				1	1
15	6020071607-0	Sticker Seed Distribution Table For Linear Meter Sla-Air 25 X 20				1	1
16	6020070886-8	Sticker Lubricate And Retighten (58 X 195Mm)				1	1
17	5206010317-8	Sticker "Ok" Approved Quality Control				1	1
18	5206010309-7	Sticker Platform Warning (107 X 145Mm)				1	1
19	5206010222-8	Sticker Warning Outlet Air Turbine (152 X 223Mm)	1				
20	6020070301-7	Sticker For Fertilizer Hopper Speed Box	2				
20	6020070300-9	Sticker For Seed Hopper Speed Box	2				
21	6020070838-8	Sticker Speed Box (Easy/Precise/Secure) (200 X 100Mm)	4				
22	5206010221-0	Sticker Instruction Manual Warning (100 X 160Mm)	1				
Optional							
23	5206010311-9	Sticker Row Marker Warning (180 X 100Mm)	1				



Item 1



Item 2



Item 3



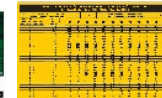
Item 4 and 23



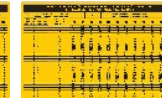
Item 5



Item 6



Item 7



Item 8



Item 9



Item 10



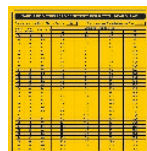
Item 11



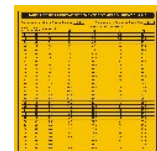
Item 12



Item 13



Item 14



Item 15



Item 16



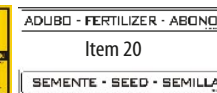
Item 17



Item 18



Item 19



Item 20

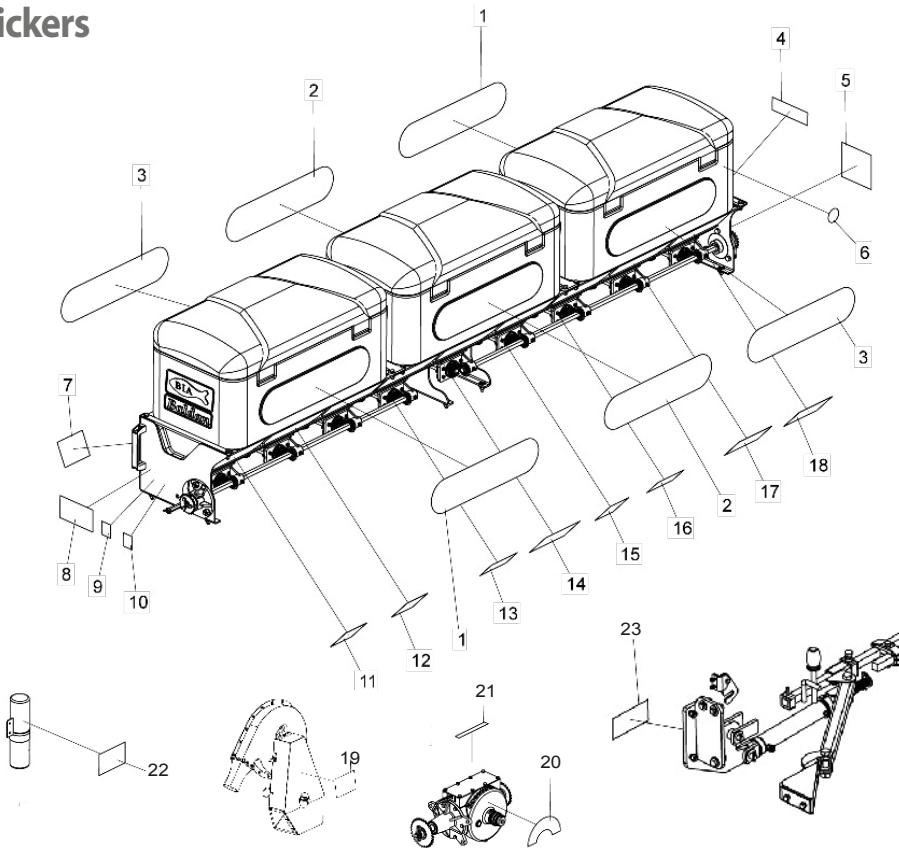


Item 21



Item 22

• Stickers



Item	Code	Product description	All	Sla-Air 2500 Without Finishing	Sla-Air 3000 With Finishing	Sla-Air 3000 Without Finishing
1	6020071579-1	Sticker Sla Speed Box 2500 Air (150 X 620Mm)		2		
1	6020071580-5	Sticker Sla-Air (150 X 620Mm)			2	2
2	6020070433-1	Sticker 3000 Speed Box (150 X 620Mm)			2	2
3	6020070432-3	Sticker Baldan (150 X 620Mm)	2			
4	6020070886-8	Sticker Lubricate And Retighten (58 X 195Mm)	1			
5	5206010307-0	Sticker Of Gear And Chains Warning (145 X 150Mm)	1			
6	5206010317-8	Sticker "Ok" Approved Quality Control	1			
7	5206010309-7	Sticker Platform Warning (107 X 145Mm)	1			
8	5206010311-9	Sticker Row Marker Warning (180 X 100Mm)	1			
9	6020071026-9	Sticker Brazilian Company(48 X 60Mm)	1			
10	6020071027-7	Sticker Certificado Iso 9001-2015 (48 X 60Mm)	1			
11	6020071608-9	Sticker Seed Distribution Table For Linear Meter Sla-Air 20 X 25	1			
12	6020071607-0	Sticker Seed Distribution Table For Linear Meter Sla-Air 25 X 20	1			
13	5206010308-9	Sticker Hydraulic Hoses Warning(150 X 95Mm)	1			
14	5206010304-6	Sticker Change Of Oil For Speed Box(135 X 200Mm)	1			
15	5206010278-3	Sticker For Cleaning The Fertilizer Hopper (105 X 130Mm)	1			
16	5206010310-0	Sticker Disc Warning (150 X 95Mm)	1			
17	6020070370-0	Sticker Fertilizer Distribution Table Sla Precision 2500/3000 31X20	1			
18	6020070369-6	Sticker Fertilizer Distribution Table Sla Precision 2500/3000 20X31	1			
19	5206010222-8	Sticker Warning Outlet Air Turbine (152 X 223Mm)	1			
20	6020070301-7	Sticker For Fertilizer Hopper Speed Box	2			
20	6020070300-9	Sticker For Seed Hopper Speed Box	2			
21	6020070838-8	Sticker Speed Box (Easy/Precise/Secure) (200 X 100Mm)	4			
22	5206010221-0	Sticker Instruction Manual Warning (100 X 160Mm)	1			
		Optional				
23	5206010311-9	Sticker Row Marker Warning (180 X 100Mm)	1			



Item 1



Item 1



Item 2



Item 3



Item 4



Item 5



Item 6



Item 7



Item 8 and 23



Item 9



Item 10



Item 11



Item 12



Item 13



Item 14



Item 15



Item 16



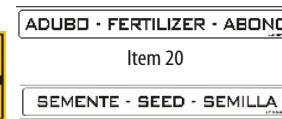
Item 17



Item 18



Item 19



Item 20

Item 20



Item 21



Item 22



Avenida Baldan, 1500
Nova Matão
15.993-900
Matão/SP - Brasil
sac@baldan.com.br
export@baldan.com.br

+55 16 3221 6500
baldan.com.br