

# Parts Catalog



**SPDE-A**

No Till Seed Drill Special

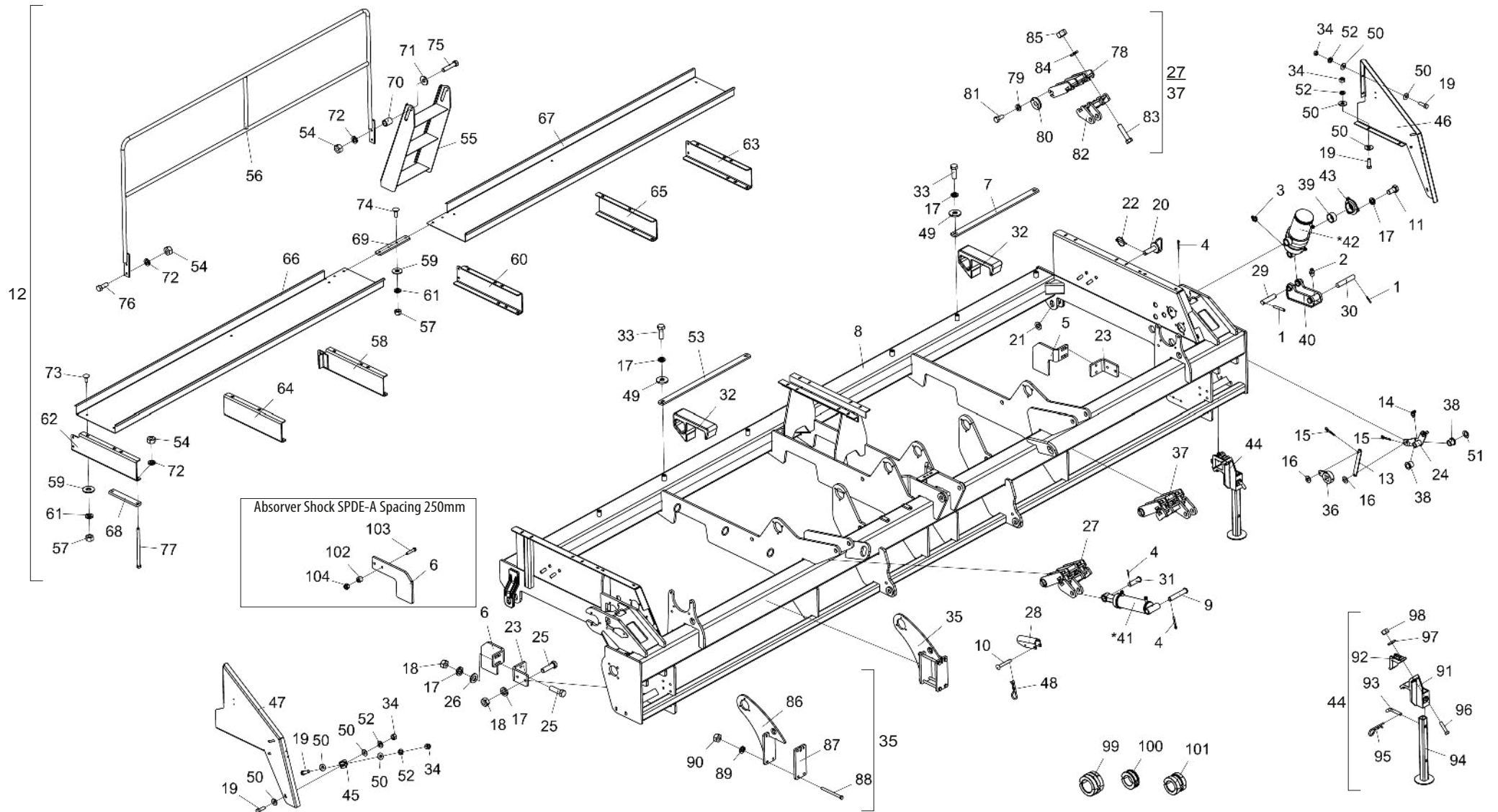
 **BALDAN**



## ▪ Index

Functional Main Frame.....	4	Table Row W/ Heavy Iron Compaction Wheel - Spacing 170mm .....	48-49
Table Functional Main Frame.....	5-6	Lateral Row W/ Heavy Iron Compaction Wheel - Spacing 170mm.....	50
Transmission System.....	7	Table Lateral Row W/ Heavy Iron Compaction Wheel - Spacing 170mm.....	51-52
Table Transmission System .....	8-9	Row W/Rippled Cutting Disc and Heavy Iron Compaction Wheel - Spacing 250mm.....	53
Wheel Support.....	10	Table Row W/Rippled Cutting Disc and Heavy Iron Compaction Wheel - Spacing 250mm .....	54-55
Fertilizer and Seed Hopper SPDE-A (FertiSystem) .....	11	Lateral Row W/Rippled Cutting Disc and Heavy Iron Compaction Wheel - Spacing 250mm .....	56
Table Fertilizer and Seed Hopper SPDE-A (FertiSystem).....	12-13	Table Lateral Row W/Rippled Cutting Disc and Heavy Iron Compaction Wheel - Spacing 250mm .....	57-58
Fertilizer and Seed Hopper SPDE-A (FertiSystem) W/Pasture Seed Hopper.....	14	Complete Compaction Wheel Type "V" .....	59
Table Fertilizer and Seed Hopper SPDE-A (FertiSystem) W/Pasture Seed Hopper.....	15-16	Large Concave Depth Wheel W/Regulator Support.....	60
Pasture Seed Hopper.....	17	Complete Heavy Iron Compaction Wheel.....	61
Table Pasture Seed Hopper.....	18	Lateral Transport Kit SPDE-A (Optional) .....	62
Dosing Set (FertiSystem).....	19	Table Lateral Transport Kit SPDE-A (Optional) .....	63
Seed Dosing .....	20	Complete Transport Support .....	64
Hitch Drawbar .....	21	Wheel Support.....	65
Hydraulic System W/Distributor for Double Control Without Row Marker.....	22	Stickers - Main Frame .....	66
Hydraulic System SPDE-A W/Row Marker .....	23	Stickers - Deposit .....	67
Complete Row Marker.....	24	Stickers - Lateral Transport .....	68
Central Cylinder of Rows Articulation .....	25		
Lateral Cylinder of Wheels Articulation .....	25		
Row Marker Cylinder.....	26		
Lateral Transport Assembly Cylinder .....	26		
Speed Box .....	27		
Planting Rows.....	28		
Row W/Cutting Disc and Compaction Wheel type "V" - Spacing 170mm .....	29		
Table Row W/Cutting Disc and Compaction Wheel type "V" - Spacing 170mm .....	30-31		
Lateral Row W/Cutting Disc and Compaction Wheel type "V" - Spacing 170mm .....	32		
Table Lateral Row W/Cutting Disc and Compaction Wheel type "V" - Spacing 170mm.....	33-34		
Row W/Cutting Disc and Compaction Wheel type "V" - Spacing 250mm.....	35		
Table Row W/Cutting Disc and Compaction Wheel type "V" - Spacing 250mm .....	36-37		
Lateral Row W/Cutting Disc and Compaction Wheel type "V" - Spacing 250mm .....	38		
Table Lateral Row W/Cutting Disc and Compaction Wheel type "V" - Spacing 250mm.....	39-40		
Row W/Cutting Disc and Concave Depth Wheel W/Regulator Support(Frieze 40mm) - Spacing 170mm .....	41		
Table Row W/Cutting Disc and Concave Depth Wheel W/Regulator Support(Frieze 40mm) - Spacing 170mm.....	42-43		
Lateral Row W/Cutting Disc and Concave Depth Wheel W/Regulator Support(Frieze 40mm) - Spacing 170mm.....	44		
Table Lateral Row W/Cutting Disc and Concave Depth Wheel W/Regulator Support(Frieze 40mm) - Spacing 170mm...	45-46		
Row W/ Heavy Iron Compaction Wheel - Spacing 170mm .....	47		

## • Functional Main Frame



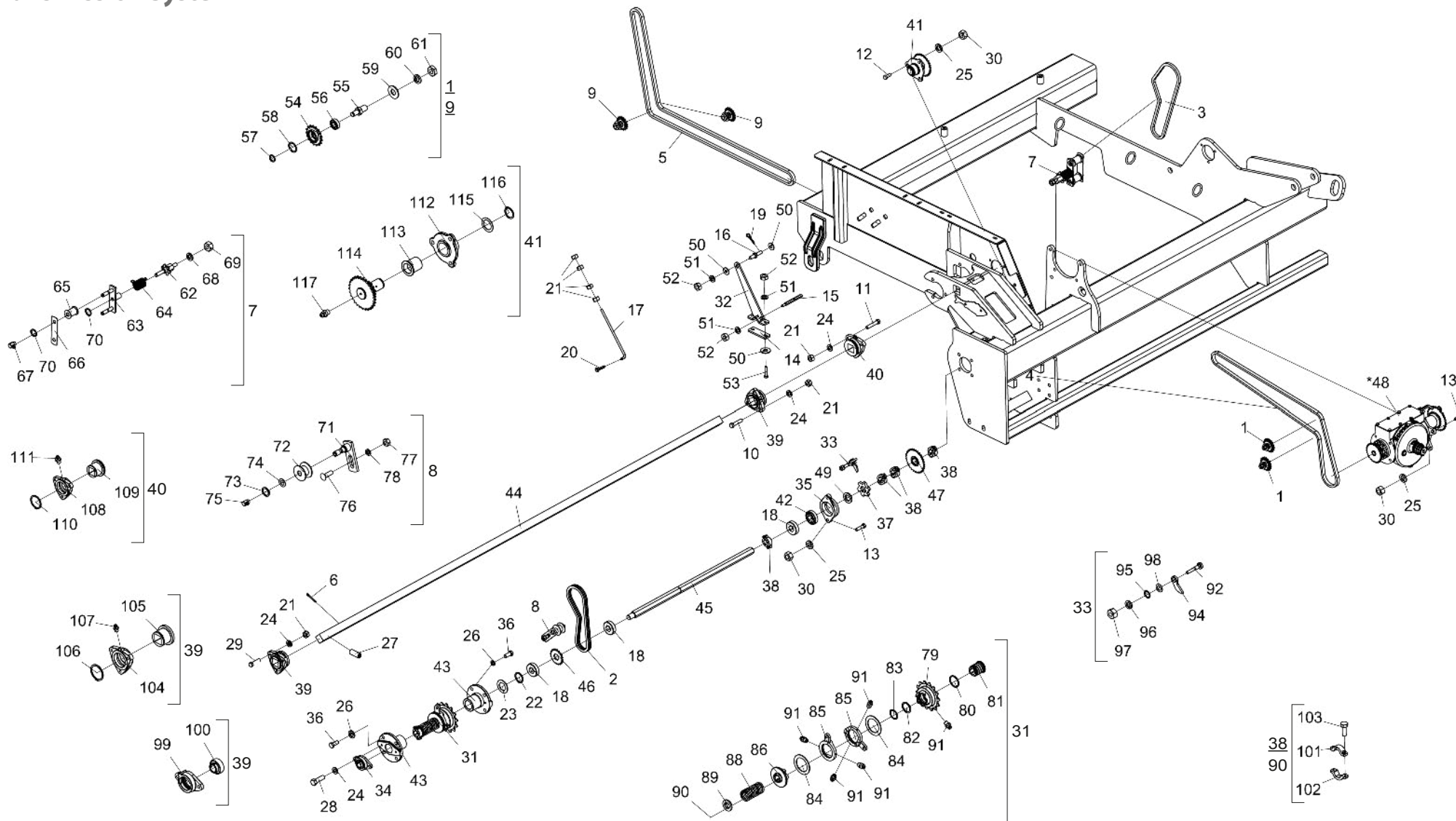
## • Table Functional Main Frame

Item	Code	Product description				Item	Code	Product description			
			All	170mm	250mm				All	170mm	250mm
1	6020311252-4	Heavy Elastic Pin Ø8 X 55Mm	6			32	6010602569-2	Counterweight	30		
2	6020130100-1	Grease Fitting 1/4"	2			33	6020310179-4	Hexagonal Head Bolt 5/8" X 1.3/4" 11F Unc1A Gr5 Rt	8		
3	6020130108-7	Grease Fitting 1/8"	2			34	6020310746-6	Hexagonal Nut 3/8" 16F Unc Gr5 Ch.9/16" Height 8,50Mm	12		
4	6020050106-6	Cotterpin 3/16" X 1.1/2"	6			35	5530014527-1	Support Of Shaft	2		
5	5048010053-8	Right Chock Absorver Of Rows		1		36	5072060004-5	Disarm Right Arm Of Ratchet	1		
6	5048010054-6	Left Chock Absorver Of Rows		1		36	5072060005-3	Left Arm Of Disarm Of Ratchet	1		
6	5048010092-9	Chock Absorver Of Rows			2	37	5252010250-7	Right Hitch of Piston W/Bushing			1
7	5040010750-2	Bar Of 2" X 1/2" X 910Mm	2			37	5252010205-1	Complete Left Of Piston With Bushing		1	
8	5404010446-4	Main Frame Spde-A 7000	1			38	5080010840-0	Bushing Of Ø22,5 X Ø38 X 28Mm	4		
9	5432120117-5	French Head Pin Ø30,53 X 165Mm	2			39	5080010389-1	Flange Bronze Bushing	4		
10	6020310421-1	French Head Pin Ø9,8 X 61Mm	4			40	5530015373-8	Articulation Support Of Drawbar	2		
11	6020310433-5	Hexagonal Head Bolt 5/8" X 1.1/4" 18F Unf1A Gr5 Rt	12			*41	6020055703-7	Hydraulic Cylinder "O.D" Ø1.5/8" X Ø3.1/4" X 200Mm(Course) X 492Mm(Closed)	2		
12	5440010878-4	Complete Platform For Plastic Box (Spdea-7000)	1			*42	6020055907-2	Hydraulic Cylinder "O.D" Ø2" X Ø5" X 180Mm(Course) X 184,6Mm(Closed)	2		
13	5072011703-4	Ratchet Disarm Arm	2			43	5284010041-3	Flange Of Piston Support	4		
14	6020130104-4	Grease Fitting 1/4"	2			44	5530030118-4	Complete Support 540mm	2		
15	6020050099-0	Cotterpin 1/8" X 3/4"	4			45	5136013871-6	Protection Fixation Plate	2		
16	5024010162-6	Smooth Washer Ø13 X Ø26 X 2,00Mm	4			46	5464010424-7	Left Lateral Protection of Main Frame	1		
17	6020010412-1	Pressure Washer 5/8" Media Industry		36	28	47	5464010423-9	Right Lateral Protection of Main Frame	1		
18	6020310760-1	Hexagonal Nut 5/8" 11F Unc Gr5 Ch.1.1/16" Height 15,00Mm		8		48	6020390308-4	Lock Nma - Type "R" Ø4,5 X 80Mm	4		
19	6020310026-7	Hexagonal Head Bolt 3/8" X 1.1/4" 16F Unc1A Gr5 Rt	12			49	5024010298-3	Smooth Washer Ø17 X Ø44 X 4,75Mm	8		
20	5432010489-3	Pin Ø1.1/4" X 102Mm	2			50	5024010075-1	Smooth Washer Ø10,3 X Ø25 X 2,00Mm	32		
21	5024010249-5	Smooth Washer Ø32 X Ø60 X 6,30Mm(Galvanised)	2			51	5024010137-5	Smooth Washer Ø23 X Ø38 X 2,00Mm	2		
22	6020390293-2	Lock Ø5,75 X 40Mm	2			52	6020010406-7	Pressure Washer 3/8" Media Industry	28		
23	5530015261-8	Chock Absorver Support Of Rows		2		53	5040010629-8	Bar Of 2" X 1/2" X 960Mm	2		
24	5008010248-5	Left Handle Of Ratchet	1			54	6020310754-7	Hexagonal Nut 1/2" 12F W Gr5 Ch.7/8" Height 12,00Mm	20		
24	5008010249-3	Right Handle Of Ratchet	1			55	5259010022-6	Stair 3 Steps	1		
25	6020311075-0	Hexagonal Head Bolt 5/8" X 2.1/4" 11F Unc1A Gr5 Rp		8		56	5196010231-6	Platform Handrail(Spde-A 7000)	2		
26	5024010154-5	Smooth Washer Ø16 X Ø29 X 3,00Mm		4		57	6020310746-6	Hexagonal Nut 3/8" 16F Unc Gr5 Ch.9/16" Height 8,50Mm	16		
27	5252010249-3	Right Hitch of Piston W/Bushing			1	58	5530014881-5	Right Central Support Of Platform Plastic Box	1		
27	5252010204-3	Complete Righth Piston Hitch With Bushing		1		59	5024010075-1	Smooth Washer Ø10,3 X Ø25 X 2,00Mm	16		
28	5558040007-7	Piston Lock Of 190Mm	2			60	5530014883-1	Left Central Support Of Platform Plastic Box	1		
29	5432010177-0	Flat Pin Ø1.1/4" X 119Mm	2			61	6020010406-7	Pressure Washer 3/8" Media Industry	16		
30	5432010178-9	Flat Pin Ø1.1/4" X 177,5Mm	2			62	5530014882-3	Platform Right Support	1		
31	5432120090-0	French Head Pin Ø30,53 X 97Mm	2			63	5530014884-0	Platform Left Support	1		

## • Table Functional Main Frame

Item	Code	Product description	All	170mm	250mm	Item	Code	Product description	All	170mm	250mm
64	5530014887-4	Right Central Support Of Platform Plastic Box	1			93	5432020032-9	Pin "L" Ø3/4" X 94Mm	2		
65	5530014888-2	Left Central Support Of Platform Plastic Box	1			94	5530030115-0	Support Of 540Mm	2		
66	5136013740-0	Platform Right Plate(Spde-A 7000)	1			95	6020390308-4	Lock Nma - Type "R" Ø4,5 X 80Mm	2		
67	5136013741-8	Left Plate Of Platform(Spde-A 7000)	1			96	6020311098-0	Hexagonal Head Bolt 3/4" X 3.1/2" 10F Unc1A Gr5 Rp	4		
68	5040010607-7	Fixation Bar	6			97	6020010414-8	Pressure Washer 3/4" Media Industry	4		
69	5136011940-1	Fixation Plate	1			98	6020310770-9	Hexagonal Nut 3/4" 10F Unc Gr5 Ch.1.7/32" Height 18,50Mm	4		
70	5080020100-1	Bushing Of Ø14 X Ø17,94 X 24Mm	2			99	5348050012-8	Complete Limiter Of Ø51 X 49,5Mm	4		
71	5024010068-9	Smooth Washer Ø13,3 X Ø35,5 X 3,00Mm	2			100	5348050006-3	Complete Limiter Of Ø42 X 25Mm	2		
72	6020010410-5	Pressure Washer 1/2" Media Industry	20			101	5348050009-8	Complete Limiter Of Ø42 X 49,5Mm	2		
73	6020311160-9	French Head Bolt 3/8" X 1" 16F Unc1A Gr2 Rt	12			102	5080011760-4	Fixing Bushing of Chock Absorber			4
74	6020311090-4	French Head Bolt 3/8" X 1.1/4" 16F Unc1A Gr2 Rp	4			103	6020310186-7	Hexagonal Head Bolt M16 X 2,00 X 80Mm Cl8.8 Rp			4
75	6020312300-3	Hexagonal Head Bolt 1/2" X 2.1/2" 12F W Gr5 Rp	2			104	6020317443-0	Self-Locking Nut With Nylon M16 X 2,00 Ma Cl8 Ch.24Mm H.16,00Mm			4
76	6020312001-2	Hexagonal Head Bolt 1/2" X 1.1/2" 12F W Gr5 Rt	6								
77	6020310055-0	Hexagonal Head Bolt 1/2" X 8.1/2" 12F W Gr5 Rp	12								
78	5530016656-2	Fixation Right Support of Spring Rod			1						
78	5530016657-0	Fixation Left Support of Spring Rod			1						
78	5530015369-0	Fixation Support Of Spring Rod		2							
79	6020010404-0	Pressure Washer 5/16" Media Industry	16								
80	6020030715-4	Articulation Bushing Of Spring Rod	8								
81	6020312020-9	Hexagonal Head Bolt 5/16" X 3/4" 18F Unc1A Gr5 Rt	16								
82	5530016654-6	Right Support of Row Cylinder			1						
82	5530016655-4	Left Support of Row Cylinder			1						
82	5530015367-3	Right Support Of Cylinder Of Row		1							
82	5530015368-1	Left Support Of Row Marker Cylinder		1							
83	6020311098-0	Hexagonal Head Bolt 3/4" X 3.1/2" 10F Unc1A Gr5 Rp	8								
84	6020010414-8	Pressure Washer 3/4" Media Industry	8								
85	6020310770-9	Hexagonal Nut 3/4" 10F Unc Gr5 Ch.1.7/32" Height 18,50Mm	8								
86	5530014528-0	Fixation Support Of Shaft	2								
87	5136013766-3	Plate Of 262 X 113,5 X 5/8"	2								
88	6020312508-1	Hexagonal Head Bolt 5/8" X 8" 11F Unc1A Gr5 Rp	8								
89	6020010412-1	Pressure Washer 5/8" Media Industry	8								
90	6020310760-1	Hexagonal Nut 5/8" 11F Unc Gr5 Ch.1.1/16" Height 15,00Mm	8								
91	6010601107-1	Back Fixation Support	2								
92	6010600770-8	Clamp	2								

• **Transmission System**



\* Item 48 - See page 27

## • Table Transmission System

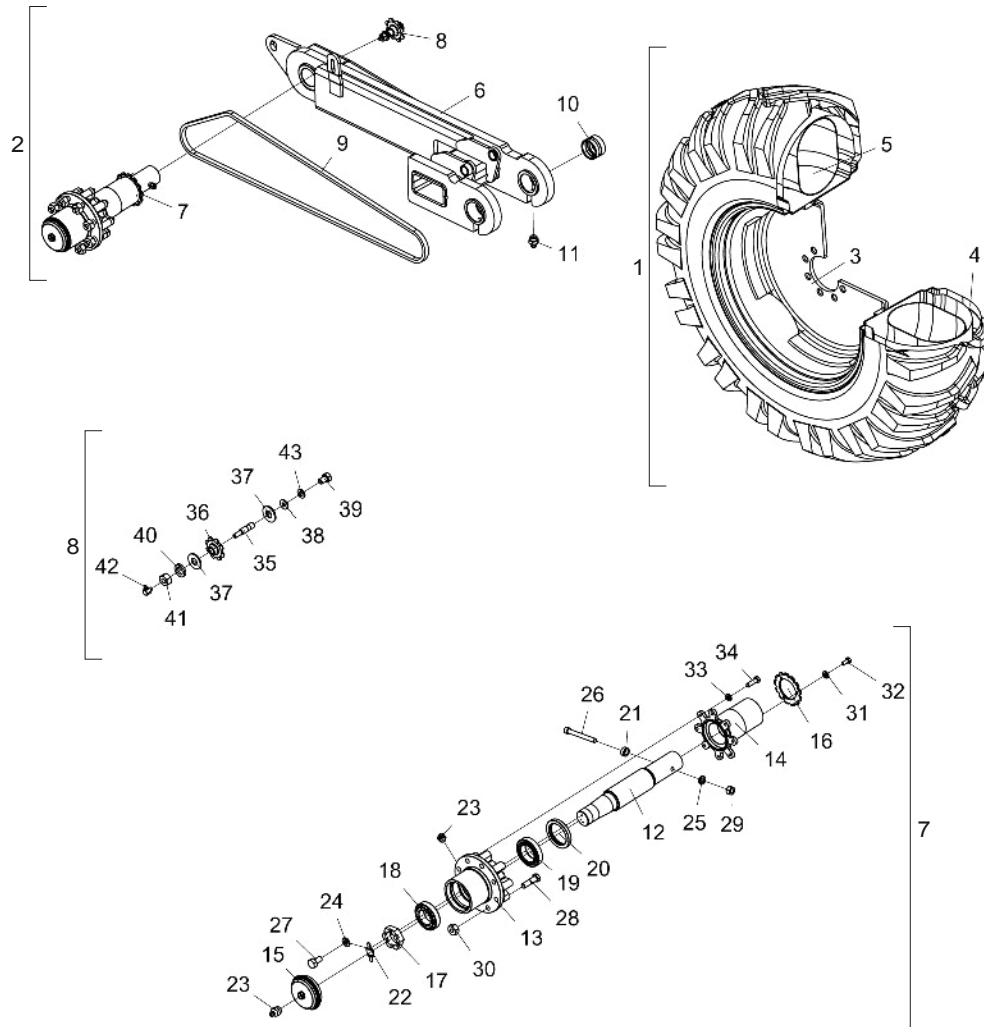
Item	Code	Product description	All	Item	Code	Product description	All
1	5268010807-2	Complete Stretcher With Gear 17 Teeth (Asa 40) R.1/2"	4	38	5460010007-9	Complete Shaft Of Clamp	8
2	6020050140-6	Chain (Asa 40) 65 Links + Amendment	2	39	5204010306-6	Complete Shaft Hub	8
3	6020051042-1	Chain (Asa 40) 89 Links + Amendment	2	40	5204010405-4	Complete Shaft Hub	2
4	6020055275-2	Chain (Asa 40) 173 Links + Amendment	2	41	5204010313-9	Complete Transmission Hub (Spd-E)	2
5	6020056009-7	Chain (Asa 40) 248 Links + Reduction	2	42	6020250116-0	Bearing Assy F-110949	2
6	6020050116-3	Cotterpin 1/4" X 2"	4	43	5284010040-5	Flange Of Wheel Support	4
7	5268010221-0	Complete Left Stretcher	1	44	5232011300-8	Shaft 1.1/2" X 2915,5Mm	1
7	5268010222-8	Complete Right Stretcher	1	44	5232011301-6	Shaft 1.1/2" X 2991,5Mm	1
8	5268010141-8	Complete Chain Stretcher	2	45	5232010698-2	Hexagonal Shaft 1.1/4" X 900Mm	2
9	5268010808-0	Complete Stretcher With Gear 17 Teeth (Asa 40) R.3/4"	4	46	5256010103-1	Gear 20 Teeth	2
10	6020311034-3	Hexagonal Head Bolt 3/8" X 1.3/4" 16F Unc1A Gr2 Rp	18	47	5256010056-6	Complete Gear 20/31 Teeth With Hexagonal 1.1/4"	2
11	6020310296-0	Hexagonal Head Bolt 3/8" X 2" 16F Unc1A Gr5 Rp	6	*48	5092010609-6	Right Speed Box (Fertilizer)	1
12	6020310051-8	Hexagonal Head Bolt 1/2" X 1.1/4" 12F W Gr5 Rt	6	*48	5092010610-0	Left Speed Box (Fertilizer)	1
13	6020310049-6	Hexagonal Head Bolt 1/2" X 2" 12F W Gr5 Rp	10	49	5024010406-4	Hexagonal Smooth Washer 32 X Ø55 X 6,30Mm	2
14	5136016272-2	Support Fixation Plate	2	51	6020010394-0	Pressure Washer M10 Media	8
15	5232011967-7	Hexagonal Shaft 1/2" X 130Mm	2	52	6020310822-5	Hexagonal Nut M10 X 1,50 Ma Cl8 Ch.17Mm H.8,00Mm	8
16	5432010639-0	Disarm Pin Of Ratchet	2	53	6020310269-3	Hexagonal Head Bolt M10 X 1,50 X 55Mm Cl8.8 Rt	4
17	5484010151-0	Ratchet Disarm Regulator	2	54	5256010366-2	Complete Gear 17 Teeth(Asa 40)	8
18	6020030091-5	Bushing With Hexagonal Hole 1.1/4" Of 070 X 20Mm	6	55	5232011562-0	Fixation Shaft Of Stretcher R. 1/2"	4
19	6020050099-0	Cotterpin 1/8" X 3/4"	2	55	5232011563-9	Fixation Shaft Of Stretcher Thread 3/4"	4
20	6020050104-0	Cotterpin 3/16" X 1"	2	56	6020350015-0	Bearing 6202 2Rs Ddu	8
21	6020310746-6	Hexagonal Nut 3/8" 16F Unc Gr5 Ch.9/16" Height 8,50Mm	38	57	6020010250-1	Retaining Oring	8
22	6020010264-1	Retaining Oring	2	58	6020010284-6	Retaining Ring I-35	8
23	5024010490-0	Washer With Hexagonal Hole Ø32Mm	2	59	5024010068-9	Smooth Washer Ø13,3 X Ø35,5 X 3,00Mm	4
24	6020010406-7	Pressure Washer 3/8" Media Industry	22	59	5024010142-1	Smooth Washer Ø20,3 X Ø46,5 X 3,00Mm	4
25	6020010410-5	Pressure Washer 1/2" Media Industry	16	60	6020010410-5	Pressure Washer 1/2" Media Industry	4
26	6020010412-1	Pressure Washer 5/8" Media Industry	8	60	6020010414-8	Pressure Washer 3/4" Media Industry	4
27	6020310114-0	Allen Bolt S/C 1/2" X 1.1/4" 12F W Cl12.9 Rt (Phosphated)	2	61	6020310756-3	Hexagonal Nut 1/2" 12F W Gr5 Ch.3/4" Height 11,00Mm	4
28	6020310026-7	Hexagonal Head Bolt 3/8" X 1.1/4" 16F Unc1A Gr5 Rt	4	61	6020310784-9	Hexagonal Nut 3/4" 10F Unc Gr5 Ch.1.1/4" Height 11,00Mm	2
29	6020311029-7	Hexagonal Head Bolt 3/8" X 1.1/2" 16F Unc1A Gr5 Rt	6	62	5232010628-1	Left Shaft Of Stretcher	1
30	6020310756-3	Hexagonal Nut 1/2" 12F W Gr5 Ch.3/4" Height 11,00Mm	16	62	5232010629-0	Right Stretcher Shaft	1
31	5132010021-0	Complete Ratchet	1	63	5268010146-9	Spare Chain Stretcher	2
31	5132010027-9	Complete Right Ratchet	1	64	6020250218-3	Torsion Helical Spring Ø38 X Ø46 X 67Mm	1
32	5530016239-7	Fixation Support	2	64	6020250219-1	Torsion Helical Spring Ø38 X Ø46 X 67Mm	1
33	5558010245-9	Left Lock Of Complete Rossette	1	65	5506010014-3	Roller Of Stretcher	4
33	5558010246-7	Right Lock Of Complete Rossette	1	66	5136020627-4	Front Plate Of Stretcher	2
34	5368010422-7	Sleeve Bearing With Self Compensation Gy1100 Krrb De Ø1"	2	67	6020130112-5	Grease Fitting 1/8"	4
35	6020250419-4	Cast Iron Bearing Type Flange Cjt-07 With Fitting Grease 1/8" 28F (Frm)	2	68	6020010412-1	Pressure Washer 5/8" Media Industry	2
36	6020310434-3	Hexagonal Head Bolt 5/8" X 1.1/2" 18F Unf1A Gr5 Rt	16	69	6020310760-1	Hexagonal Nut 5/8" 11F Unc Gr5 Ch.1.1/16" Height 15,00Mm	2
37	5200010005-6	Rossette	2	70	6020010252-8	Retaining Oring	6

## • Table Transmission System

Item	Code	Product description	All
71	5268010142-6	Spare Chain Stretcher	2
72	6020350849-5	Stretcher Pulley	2
73	6020010252-8	Retaining Oring	2
74	5024010059-0	Smooth Washer Ø16,5 X Ø29 X 1,21Mm	2
75	6020130112-5	Grease Fitting 1/8"	2
76	6020311175-7	French Head Bolt 1/2" X 1.5/8" 12FW Gr2 Rt	2
77	6020310754-7	Hexagonal Nut 1/2" 12F W Gr5 Ch.7/8" Height 12,00Mm	2
78	6020010410-5	Pressure Washer 1/2" Media Industry	2
79	5256010267-4	Gear 14 E 6 Teeth Of Left Ratchet	1
79	5256010466-9	Gear 14 And 6 Teeth Of Right Ratchet	1
80	5024010541-9	Smooth Washer Ø55,5 X Ø63,5 X 3,00Mm	2
81	5080010935-0	Hexagonal Bushing Of 1.1/4"	2
82	5024010544-3	Smooth Washer Ø47 X Ø59,2 X 2,00Mm	2
83	6020010272-2	Retaining Ring E-46	2
84	5024010542-7	Smooth Washer Ø77 X Ø108 X 3,00Mm	4
85	5526010034-2	Separator Of Ratchet	4
86	5256010268-2	Internal Left Gear Of Right Ratchet	1
86	5256010465-0	Internal Right Gear Of Right Ratchet	1
88	6020250573-5	Ratchet Spring	2
89	5024010543-5	Smooth Washer Ø46,2 X Ø60 X 12,50Mm	2
90	5460010007-9	Complete Shaft Of Clamp	2
91	6020130100-1	Grease Fitting 1/4"	10
92	5432010175-4	Lock Pin Of Trigger	2
94	5558050016-0	Lock Of Rossette	2
95	6020010252-8	Retaining Oring	2
96	6020010410-5	Pressure Washer 1/2" Media Industry	2
97	6020310754-7	Hexagonal Nut 1/2" 12F W Gr5 Ch.7/8" Height 12,00Mm	2
98	5024010059-0	Smooth Washer Ø16,5 X Ø29 X 1,21Mm	2
99	5368010499-5	Fixation Bearing	2
100	6020350081-8	Bearing Gy-1100 Krrb	2
101	5460010003-6	Shaft Clamp Hexagonal 1.1/4" With Hole Passante	10
102	5460010004-4	Shaft Clamp Hexagonal 1.1/4" Hole With Thread	10
103	6020310016-0	Hexagonal Head Bolt 1/4" X 3/4" 20F Unc1A Gr5 Rt	20
104	5204060004-3	Deph Shaft Hub	8
105	5080010013-2	Shaft Bushing	8
106	6020011020-2	Retaining Ring E-65	8
107	6020130100-1	Grease Fitting 1/4"	8
108	5204060004-3	Deph Shaft Hub	2
109	5080011046-4	Shaft Bushing	2
110	6020011020-2	Retaining Ring E-65	2
111	6020130100-1	Grease Fitting 1/4"	2

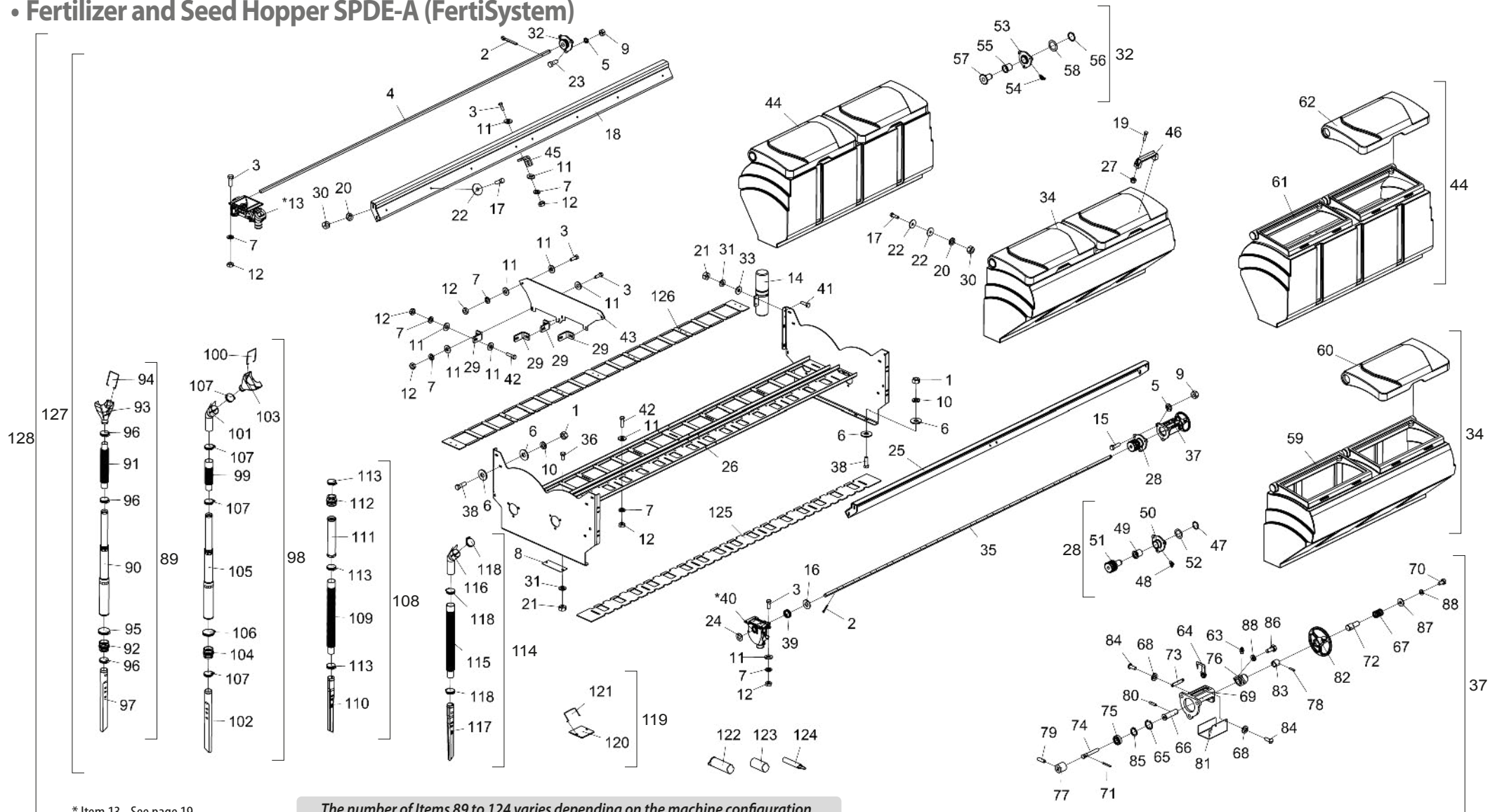
Item	Code	Product description	All
112	5204010312-0	Transmission Hub	2
113	5080010555-0	Bronze Bushing	2
114	5256010114-7	Complete Gear 29/17 Teeth	2
115	5024010374-2	Smooth Washer Ø36 X Ø52 X 1,50Mm(Inox)	2
116	6020010307-9	Retaining Ring E-36	2
117	6020130100-1	Grease Fitting 1/4"	2

## • Wheel Support



Item	Code	Product description	All
1	5498010160-9	Monunted Right Wheel 18.4-31	1
1	5498010161-7	Mounted Left Wheel 18.4-31	1
2	5530014519-0	Complete Right Lifting Support(Spde-A 7000)	1
2	5530014521-2	Left Support Of Complete Lifting (Spde-A 7000)	1
3	602035089-75	Wheel W 16,00" X 30" For Tyre 18.4X30"	1
4	6020310379-7	Tyre R1 18.4-30 (467 X 1552 12 Linings)	1
5	6020055249-3	Inner Tube 18.4-30	1
6	5530014520-4	Articulation Left Support(Spde-A 7000)	1
6	5530014522-0	Articulation Left Support(Spde-A 7000)	1
7	5232012434-4	Complete Wheel Shaft	2
8	5268010203-1	Complete Chain Stretcher	2
9	6020055015-6	Chain 2050 Of 90 Links + Reduction	2
10	5080010553-3	Flange Bronze Bushing	4
11	6020130108-7	Grease Fitting 1/8"	4
12	5232011787-9	Wheel Shaft	1
13	5204010470-4	Wheel Hub	1
14	5284010153-3	Flange Of Wheel Hub	1
15	5096010051-1	Hub Cap	1
16	5256010260-7	Gear 14 Teeth With Central Hole Ø86,3Mm	1
17	5456020010-5	Nut 2.1/2" 12F	1
18	6020350855-0	Bearing K-3982 / K-3920 (First Line)	1
19	6020350854-1	Bearing K-33287 / K-33462 (First Line)	1
20	6020350280-2	Retainer Ø87,30 X Ø120,80 X 14,30Mm	1
21	5080020168-0	Bushing Of Ø13,49 X Ø7/8" X 10Mm	1
22	5558010080-4	Lock(Large)	1
23	6020130108-7	Grease Fitting 1/8"	2
24	6020010402-4	Pressure Washer 1/4" Media Industry	2
25	6020010410-5	Pressure Washer 1/2" Media Industry	1
26	6020310116-6	Allen Bolt C/C 1/2" X 4.1/2" 12F W Cl12.9 Rp (Phosphated)	1
27	6020311000-9	Hexagonal Head Bolt 1/4" X 1/2" 20F Unc1A Gr5 Rt	2
28	6020311106-4	Hexagonal Head Bolt 3/4" X 2.3/4" 16F Unf1A Gr5 Rp	8
29	6020310756-3	Hexagonal Nut 1/2" 12F W Gr5 Ch.3/4" Height 11,00Mm	1
30	6020310803-9	Conic Hexagonal Nut 3/4" 16F Unf Gr5 Ch.1.1/2" Height 22,00Mm	8
31	6020010404-0	Pressure Washer 5/16" Media Industry	3
32	6020312020-9	Hexagonal Head Bolt 5/16" X 3/4" 18F Unc1A Gr5 Rt	3
33	6020010406-7	Pressure Washer 3/8" Media Industry	8
34	6020310026-7	Hexagonal Head Bolt 3/8" X 1.1/4" 16F Unc1A Gr5 Rt	8
35	5232010475-0	Stretcher Shaft With Channel And Hole	1
36	5256010084-1	Gear 8 Teeth With Bronze	1
37	5024010239-8	Smooth Washer Ø16,5 X Ø37 X 3,00Mm	2
38	5024010073-5	Smooth Washer Ø8,5 X Ø20 X 2,00Mm	1
39	6020311020-3	Hexagonal Head Bolt 5/16" X 1/2" 18F Unc1A Gr2 Rt	1
40	6020010412-1	Pressure Washer 5/8" Media Industry	1
41	6020310760-1	Hexagonal Nut 5/8" 11F Unc Gr5 Ch.1.1/16" Height 15,00Mm	1
42	6020130106-0	Grease Fitting 1/4"	1
43	6020010404-0	Pressure Washer 5/16" Media Industry	1

## • Fertilizer and Seed Hopper SPDE-A (FertiSystem)



\* Item 13 - See page 19

\* Item 40 - See page 20

*The number of Items 89 to 124 varies depending on the machine configuration.*

*The Fertilizer and Complete Seed Deposit (128) consists of all the parts listed above. However, when sold complete, Items 89 through 124 will not accompany you.*

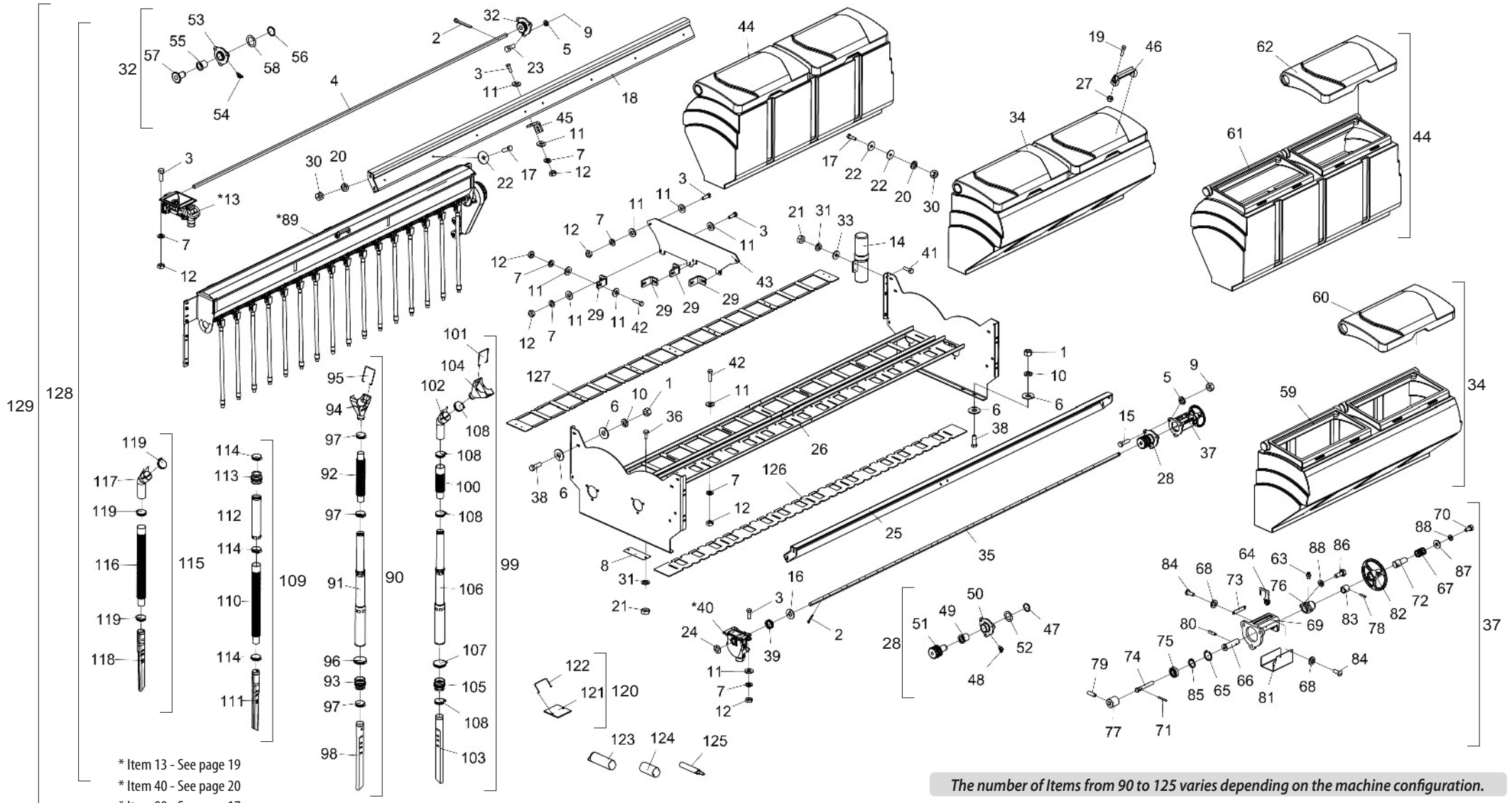
## • Table Fertilizer and Seed Hopper SPDE-A (FertiSystem)

Item	Code	Product description	All	Item	Code	Product description	All
1	6020310746-6	Hexagonal Nut 3/8" 16F Unc Gr5 Ch.9/16" Height 8,50Mm	32	39	6020250252-3	Helical Spring Ø23 X Ø28 X 24Mm	32
2	6020050101-5	Cotterpin 1/8" X 1"	68	*40	6020072084-1	Pneumatic Batcher(Nardi-88002843)	32
3	6020310883-7	Hexagonal Head Bolt Inox 5/16" X 1" 18F Unc2A Rt	212	41	6020311004-1	Hexagonal Head Bolt 1/4" X 7/8" 20F Unc1A Gr5 Rt	2
4	5232011292-3	Fertilizer Shaft Sq.5/8" X 2860Mm(Spde-A 7000)	2	42	6020310884-5	Hexagonal Head Bolt Inox 5/16" X 1.1/4" 18F Unc2A Rt	56
5	6020010435-0	Pressure Washer Inox 1/2" Media	12	43	5136015122-4	Central Plate Of Deposit	2
6	5024010075-1	Smooth Washer Ø10,3 X Ø25 X 2,00Mm	64	44	6020071646-1	Plastic Fertilizer Hopper With Cover (3000)	4
7	6020010434-2	Pressure Washer Inox 5/16" Media	328	45	5136015120-8	Small Fixation Plate	4
8	5538010600-0	Cover Of 44 X 119 X 1,21Mm	4	46	6020010922-0	Nylon Belt Pmc 594 - 132 X 32 Mm	16
9	6020310754-7	Hexagonal Nut 1/2" 12FW Gr5 Ch.7/8" Height 12,00Mm	12	47	6020010307-9	Retaining Ring E-36	2
10	6020010406-7	Pressure Washer 3/8" Media Industry	32	48	6020130104-4	Grease Fitting 1/4"	2
11	6020010431-8	Plain Inox Washer Ø8,5 X Ø18 X 1,8Mm	224	49	5080010552-5	Bronze Bushing	2
12	6020310767-9	Brass Hexagonal Nut 5/16" 18F Unc Ch.1/2" H.6,50Mm	328	50	5204010384-8	Seed Shaft Hub	2
*13	6020051126-6	Batcher Kit Fertisystem Auto-Lub Ap/2D Ng Me(Fertisystem 11110000)	32	51	5256010101-5	Triple Gear Of Transmission 17 Teeth	2
14	6020050642-4	Container For Instruction Manual	1	52	5024010374-2	Smooth Washer Ø36 X Ø52 X 1,50Mm(Inox)	2
15	6020310896-9	Hexagonal Head Bolt Inox 1/2" X 1.3/4" 12FW Rt	6	53	5204010310-4	Fertilizer Shaft Hub	2
16	5024010083-2	Smooth Washer Sq.17 X Ø43 X 3,00Mm	32	54	6020130104-4	Grease Fitting 1/4"	2
17	6020310892-6	Hexagonal Head Bolt Inox 3/8" X 1.1/4" 16F Unc2A Rt	56	55	5080010548-7	Bronze Bushing	2
18	5530014868-8	Hopper Support Of Fertilizer Plastic Box	2	56	6020010307-9	Retaining Ring E-36	2
19	6020310894-2	Hexagonal Head Bolt Inox 5/16" X 1.1/2" 18F Unc2A Rt	32	57	5256010109-0	Gear 17 Teeth	2
20	6020010436-9	Pressure Washer Inox 3/8" Media	56	58	5024010374-2	Smooth Washer Ø36 X Ø52 X 1,50Mm(Inox)	2
21	6020310766-0	Brass Hexagonal Nut 1/4" 20F Unc Ch.7/16" H.5,50Mm	10	59	6020055340-6	Plastic Box For Seed Inteirica 3000 Without Cover	4
22	5024010428-5	Stainless Smooth Washer Of Ø10,50 X Ø40 X 2,50Mm	80	60	6020390929-5	Plastic Cover Of Fertilizer/Seed Hopper 3000	4
23	6020310885-3	Hexagonal Head Bolt Inox 1/2" X 1.1/4" 12FW Rt	6	61	6020055338-4	Plastic Box For Fertilizer Inteirica 3000 Without Cover	4
24	5024010368-8	Smooth Washer With Square Hole 17 X Ø36 X 2,50Mm	32	62	6020390929-5	Plastic Cover Of Fertilizer/Seed Hopper 3000	4
25	5530014869-6	Support Of Seed Hopper Plastic Box	2	63	6020130100-1	Grease Fitting 1/4"	2
26	5530015934-5	Support Of Plastic Box(Spdea 7000)	2	64	5530015670-2	Support Of Regulating Arrow	2
27	6020310813-6	Self-Locking Nut With Nylon 5/16" 18F Unc Gr5 Ch.1/2" H.9,00Mm	32	65	6020011054-7	Retaining Ring I-032	2
28	5204010383-0	Complete Seed Shaft Hub	2	66	5232011662-7	Seed Regulating Shaft	2
29	5136015121-6	Large Fixation Plate	8	67	6020250577-8	Helical Spring Ø12,5 X Ø16,5 X 19Mm	2
30	6020310768-7	Brass Hexagonal Nut 3/8" 16F Unc Ch.9/16" H.8,50Mm	56	68	6020010400-8	Pressure Washer 3/16" Media Industry	4
31	6020010402-4	Pressure Washer 1/4" Media Industry	10	69	5530015695-8	Fixation Support Of Regulator	2
32	5204010311-2	Complete Fertilizer Shaft Hub	2	70	6020311000-9	Hexagonal Head Bolt 1/4" X 1/2" 20F Unc1A Gr5 Rt	2
33	5024010161-8	Smooth Washer Ø7 X Ø18 X 2,00Mm	2	71	6020310470-0	Heavy Elastic Pin Ø3 X 24Mm	2
34	6020071648-8	Plastic Seed With Cover (3000)	4	72	5232011663-5	Spring Shaft	2
35	5232011849-2	Right Shaft Seed 2830Mm	1	73	5136015357-0	Plate Of Adjustment Of 50 A 0Mm	2
35	5232011850-6	Left Shaft Of Seed 2830Mm	1	74	5232011655-4	Seed Regulating Shaft	2
36	6020311001-7	Hexagonal Head Bolt 1/4" X 5/8" 20F Unc1A Gr5 Rt	8	75	6020350887-8	Sphere Rigid Bearing 6002 Zz	2
37	5484010158-7	Complete Right Seed Of Regulator	1	76	5530015696-6	Fixation Support Of Steering Wheel	2
37	5484010159-5	Complete Left Seed Of Regulator	1	77	5080011452-4	Bushing Of Regulator Seed	2
38	6020310026-7	Hexagonal Head Bolt 3/8" X 1.1/4" 16F Unc1A Gr5 Rt	32	78	6020310502-1	Heavy Elastic Pin Ø5 X 24Mm	2

## • Table Fertilizer and Seed Hopper SPDE-A (FertiSystem)

Item	Code	Product description	All	Item	Code	Product description	All
79	6020312003-9	Allen Bolt 5/C 5/16" X 1" 18F Unc1A Cl12.9 Rt (Phosphated)	2	118	6020010706-6	Clamp 044 X 057 X 14.5Mm (Carbon Steel)	3
80	6020312084-5	Heavy Elastic Pin Ø5 X 18Mm	4	119	5538010244-6	Complete Large Tube (Plastic Box)	1
81	5464010385-2	Right Protection Of Seed Regulator	1	120	6020390101-4	Cover Of Fertilizer Conductor	1
81	5464010386-0	Left Protection Of Seed Regulator	1	121	6020010924-7	Cover Stics	1
82	5484010160-9	Seed Hopper Regulator	2	122	6020390093-0	Maintenance Tube	1
83	5080011496-6	Back Bushing	2	123	6020390091-3	Block Tube - "Optional" (07000012)	1
84	6020310119-0	Bolt 3/16" X 1/2" 24F Unc1A Gr5 Rt	8	124	6020390092-1	Fixator Tube - "Optional" (300303005)	1
85	6020010250-1	Retaining Oring	2	125	5136019654-6	Lateral Plate of Seed Hopper 2870mm	2
86	6020311001-7	Hexagonal Head Bolt 1/4" X 5/8" 20F Unc1A Gr5 Rt	4	126	5136019657-0	Fertilizer Conductor Plate 2870mm	2
87	5024010161-8	Smooth Washer Ø7 X Ø18 X 2,00Mm	2	127	5208012783-9	Complete Right Fertilizer And Seed Hopper Spdea Plastic Box 7000	1
88	6020010402-4	Pressure Washer 1/4" Media Industry	6	127	5208012785-5	Complete Left Fertilizer And Seed Hopper Spdea Plastic Box 7000	1
89	5150010103-6	Complete Seed Telescopic Conductor(Spde-A)	1	128	5208012782-0	Complete Fertilizer And Seed Hopper Spdea Plastic Box 7000(Conductor)	1
90	6020050666-1	Condutor Telescopico (Ref.260 200 05)	1				
91	6020250028-8	Hose Ø38 X Ø38 X 340Mm (Hose 119)	1				
92	6020390844-2	Rubber Union Ø41 X Ø54 X 62Mm	1				
93	6020190010-0	Funnel Ju-02 (N. 3823)	1				
94	6020390309-2	Lock 100 X 84 X 03Mm (2557)	1				
95	6020010711-2	Clamp 57-76 Ribbon 13/14Mm	1				
96	6020010706-6	Clamp 044 X 057 X 14.5Mm (Carbon Steel)	3				
97	6020030671-9	Distributor Funnel 470Mm	1				
98	5150010037-4	Sedd Telescopic Conductor W/Complete Extensor(Spd-E)	1				
99	6020250483-6	Hose Ø38 X Ø50,8 X 220Mm	1				
100	6020390309-2	Lock 100 X 84 X 03Mm (2557)	1				
101	5272010014-2	Stension Of Fertilizer/Seed Hose	1				
102	6020030671-9	Distributor Funnel 470Mm	1				
103	6020190010-0	Funnel Ju-02 (N. 3823)	1				
104	6020390844-2	Rubber Union Ø41 X Ø54 X 62Mm	1				
105	6020050666-1	Condutor Telescopico (Ref.260 200 05)	1				
106	6020010711-2	Clamp 57-76 Ribbon 13/14Mm	1				
107	6020010706-6	Clamp 044 X 057 X 14.5Mm (Carbon Steel)	4				
108	5150010102-8	Complete Fertilizer Conductor(Spde-A)	1				
109	6020250054-7	Rubber Tube Ø38 X Ø50,8 X 555Mm	1				
110	6020030672-7	Distributor Funnel 425Mm	1				
111	6020390043-3	3° Transparent Telescopic Hose Stage	1				
112	6020390844-2	Rubber Union Ø41 X Ø54 X 62Mm	1				
113	6020010706-6	Clamp 044 X 057 X 14.5Mm (Carbon Steel)	3				
114	5150010044-7	Fertilizer Flexible Conductor W/Extensor Complete(Spde/Spdet)	1				
115	6020250054-7	Rubber Tube Ø38 X Ø50,8 X 555Mm	1				
116	5272010010-0	Extension Of Seed Hose	1				
117	6020030672-7	Distributor Funnel 425Mm	1				

## • Fertilizer and Seed Hopper SPDE-A (FertiSystem) W/Pasture Seed Hopper



The number of Items from 90 to 125 varies depending on the machine configuration.

The Fertilizer and Complete Seed Deposit (129) consists of all the parts listed above. However, when sold complete, Items 90 to 125 will not accompany you.

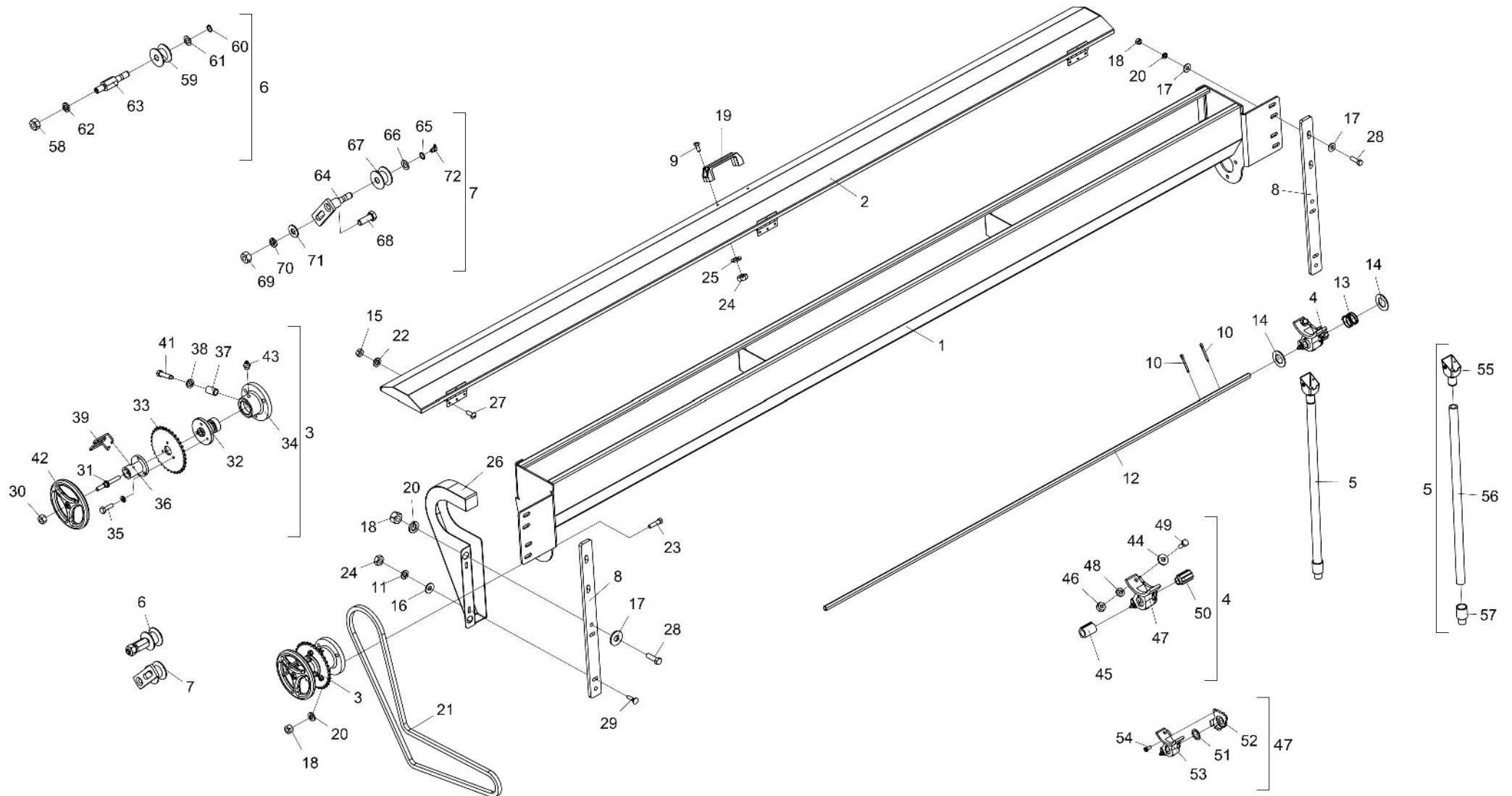
## • Table Fertilizer and Seed Hopper SPDE-A (FertiSystem) W/Pasture Seed Hopper

Item	Código	Product description	Todos	Item	Código	Product description	Todos
1	6020310746-6	Hexagonal Nut 3/8" 16F Unc Gr5 Ch.9/16" Height 8,50Mm	32	*40	6020072084-1	Pneumatic Batcher(Nardi-88002843)	32
2	6020050101-5	Cotterpin 1/8" X 1"	68	41	6020311004-1	Hexagonal Head Bolt 1/4" X 7/8" 20F Unc1A Gr5 Rt	2
3	6020310883-7	Hexagonal Head Bolt Inox 5/16" X 1" 18F Unc2A Rt	212	42	6020310884-5	Hexagonal Head Bolt Inox 5/16" X 1.1/4" 18F Unc2A Rt	56
4	5232011292-3	Fertilizer Shaft Sq.5/8" X 2860Mm(Spde-A 7000)	2	43	5136015122-4	Central Plate Of Deposit	2
5	6020010435-0	Pressure Washer Inox 1/2" Media	12	44	6020071646-1	Plastic Fertilizer Hopper With Cover (3000)	4
6	5024010075-1	Smooth Washer Ø10,3 X Ø25 X 2,00Mm	64	45	5136015120-8	Small Fixation Plate	4
7	6020010434-2	Pressure Washer Inox 5/16" Media	328	46	6020010922-0	Nylon Belt Pmc 594 - 132 X 32 Mm	16
8	5538010600-0	Cover Of 44 X 119 X 1,21Mm	4	47	6020010307-9	Retaining Ring E-36	2
9	6020310754-7	Hexagonal Nut 1/2" 12F W Gr5 Ch.7/8" Height 12,00Mm	12	48	6020130104-4	Grease Fitting 1/4"	2
10	6020010406-7	Pressure Washer 3/8" Media Industry	32	49	5080010552-5	Bronze Bushing	2
11	6020010431-8	Plain Inox Washer Ø8,5 X Ø18 X 1,8Mm	224	50	5204010384-8	Seed Shaft Hub	2
12	6020310767-9	Brass Hexagonal Nut 5/16" 18F Unc Ch.1/2" H.6,50Mm	328	51	5256010101-5	Triple Gear Of Transmission 17 Teeth	2
*13	6020051126-6	Batcher Kit Fertisystem Auto-Lub Ap/2D Ng Me(Fertisystem 11110000)	32	52	5024010374-2	Smooth Washer Ø36 X Ø52 X 1,50Mm(Inox)	2
14	6020050642-4	Container For Instruction Manual	1	53	5204010310-4	Fertilizer Shaft Hub	2
15	6020310896-9	Hexagonal Head Bolt Inox 1/2" X 1.3/4" 12F W Rt	6	54	6020130104-4	Grease Fitting 1/4"	2
16	5024010083-2	Smooth Washer Sq.17 X Ø43 X 3,00Mm	32	55	5080010548-7	Bronze Bushing	2
17	6020310892-6	Hexagonal Head Bolt Inox 3/8" X 1.1/4" 16F Unc2A Rt	56	56	6020010307-9	Retaining Ring E-36	2
18	5530014868-8	Hopper Support Of Fertilizer Plastic Box	2	57	5256010109-0	Gear 17 Teeth	2
19	6020310894-2	Hexagonal Head Bolt Inox 5/16" X 1.1/2" 18F Unc2A Rt	32	58	5024010374-2	Smooth Washer Ø36 X Ø52 X 1,50Mm(Inox)	2
20	6020010436-9	Pressure Washer Inox 3/8" Media	56	59	6020055340-6	Plastic Box For Seed Inteirica 3000 Without Cover	4
21	6020310766-0	Brass Hexagonal Nut 1/4" 20F Unc Ch.7/16" H.5,50Mm	10	60	6020390929-5	Plastic Cover Of Fertilizer/Seed Hopper 3000	4
22	5024010428-5	Stainless Smooth Washer Of Ø10,50 X Ø40 X 2,50Mm	80	61	6020055338-4	Plastic Box For Fertilizer Inteirica 3000 Without Cover	4
23	6020310885-3	Hexagonal Head Bolt Inox 1/2" X 1.1/4" 12F W Rt	6	62	6020390929-5	Plastic Cover Of Fertilizer/Seed Hopper 3000	4
24	5024010368-8	Smooth Washer With Square Hole 17 X Ø36 X 2,50Mm	32	63	6020130100-1	Grease Fitting 1/4"	2
25	5530014869-6	Support Of Seed Hopper Plastic Box	2	64	5530015670-2	Support Of Regulating Arrow	2
26	5530015934-5	Support Of Plastic Box(Spdea 7000)	2	65	6020011054-7	Retaining Ring I-032	2
27	6020310813-6	Self-Locking Nut With Nylon 5/16" 18F Unc Gr5 Ch.1/2" H.9,00Mm	32	66	5232011662-7	Seed Regulating Shaft	2
28	5204010383-0	Complete Seed Shaft Hub	2	67	6020250577-8	Helical Spring Ø12,5 X Ø16,5 X 19Mm	2
29	5136015121-6	Large Fixation Plate	8	68	6020010400-8	Pressure Washer 3/16" Media Industry	4
30	6020310768-7	Brass Hexagonal Nut 3/8" 16F Unc Ch.9/16" H.8,50Mm	56	69	5530015695-8	Fixation Support Of Regulator	2
31	6020010402-4	Pressure Washer 1/4" Media Industry	10	70	6020311000-9	Hexagonal Head Bolt 1/4" X 1/2" 20F Unc1A Gr5 Rt	2
32	5204010311-2	Complete Fertilizer Shaft Hub	2	71	6020310470-0	Heavy Elastic Pin Ø3 X 24Mm	2
33	5024010161-8	Smooth Washer Ø7 X Ø18 X 2,00Mm	2	72	5232011663-5	Spring Shaft	2
34	6020071648-8	Plastic Seed With Cover (3000)	4	73	5136015357-0	Plate Of Adjustment Of 50 A 0Mm	2
35	5232011849-2	Right Shaft Seed 2830Mm	1	74	5232011655-4	Seed Regulating Shaft	2
35	5232011850-6	Left Shaft Of Seed 2830Mm	1	75	6020350887-8	Sphere Rigid Bearing 6002 Zz	2
36	6020311001-7	Hexagonal Head Bolt 1/4" X 5/8" 20F Unc1A Gr5 Rt	8	76	5530015696-6	Fixation Support Of Steering Wheel	2
37	5484010158-7	Complete Right Seed Of Regulator	1	77	5080011452-4	Bushing Of Regulator Seed	2
37	5484010159-5	Complete Left Seed Of Regulator	1	78	6020310502-1	Heavy Elastic Pin Ø5 X 24Mm	2
38	6020310026-7	Hexagonal Head Bolt 3/8" X 1.1/4" 16F Unc1A Gr5 Rt	32	79	6020312003-9	Allen Bolt S/C 5/16" X 1" 18F Unc1A C112.9 Rt (Phosphated)	2
39	6020250252-3	Helical Spring Ø23 X Ø28 X 24Mm	32	80	6020312084-5	Heavy Elastic Pin Ø5 X 18Mm	4

## • Table Fertilizer and Seed Hopper SPDE-A (FertiSystem) W/Pasture Seed Hopper

Item	Código	Product description	Todos	Item	Código	Product description	Todos
81	5464010385-2	Right Protection Of Seed Regulator	1	120	5538010244-6	Complete Large Tube (Plastic Box)	1
81	5464010386-0	Left Protection Of Seed Regulator	1	121	6020390101-4	Cover Of Fertilizer Conductor	1
82	5484010160-9	Seed Hopper Regulator	2	122	6020010924-7	Cover Stics	1
83	5080011496-6	Back Bushing	2	123	6020390093-0	Maintenance Tube	1
84	6020310119-0	Bolt 3/16" X 1/2" 24F Unc1A Gr5 Rt	8	124	6020390091-3	Block Tube - "Optional" (07000012)	1
85	6020010250-1	Retaining Oring	2	125	6020390092-1	Fixator Tube - "Optional" (300303005)	1
86	6020311001-7	Hexagonal Head Bolt 1/4" X 5/8" 20F Unc1A Gr5 Rt	4	126	5136019654-6	Lateral Plate of Seed Hopper 2870mm	2
87	5024010161-8	Smooth Washer Ø7 X Ø18 X 2,00Mm	2	127	5136019657-0	Fertilizer Conductor Plate 2870mm	2
88	6020010402-4	Pressure Washer 1/4" Media Industry	6	128	5208012828-2	Complete Right Fertilizer And Seed Hopper Spdea Plastic Box 7000 With Hopper	1
*89	5092010423-9	Complete Right Pasture Seed Hopper For Plastic Box(Spdea-7000)	1	128	5208012829-0	Complete Left Fertilizer And Seed Hopper Spdea Plastic Box 7000 W/Cx	1
*89	5092010425-5	Complete Right Pasture Seed Hopper For Plastic Box(Spdea-7000)	1	129	5208012827-4	Complete Fertilizer And Seed Hopper Spdea Plastic Box 7000 With Seed Hopper	1
90	5150010103-6	Complete Seed Telescopic Conductor(Spde-A)	1				
91	6020050666-1	Conductor Telescopico (Ref.260 200 05)	1				
92	6020250028-8	Hose Ø38 X Ø38 X 340Mm (Hose 119)	1				
93	6020390844-2	Rubber Union Ø41 X Ø54 X 62Mm	1				
94	6020190010-0	Funnel Ju-02 (N. 3823)	1				
95	6020390309-2	Lock 100 X 84 X 03Mm (2557)	1				
96	6020010711-2	Clamp 57-76 Ribbon 13/14Mm	1				
97	6020010706-6	Clamp 044 X 057 X 14.5Mm (Carbon Steel)	3				
98	6020030671-9	Distributor Funnel 470Mm	1				
99	5150010037-4	Sedd Telescopic Conductor W/Complete Extensor(Spd-E)	1				
100	6020250483-6	Hose Ø38 X Ø50,8 X 220Mm	1				
101	6020390309-2	Lock 100 X 84 X 03Mm (2557)	1				
102	5272010014-2	Stension Of Fertilizer/Seed Hose	1				
103	6020030671-9	Distributor Funnel 470Mm	1				
104	6020190010-0	Funnel Ju-02 (N. 3823)	1				
105	6020390844-2	Rubber Union Ø41 X Ø54 X 62Mm	1				
106	6020050666-1	Conductor Telescopico (Ref.260 200 05)	1				
107	6020010711-2	Clamp 57-76 Ribbon 13/14Mm	1				
108	6020010706-6	Clamp 044 X 057 X 14.5Mm (Carbon Steel)	4				
109	5150010102-8	Complete Fertilizer Conductor(Spde-A)	1				
110	6020250054-7	Rubber Tube Ø38 X Ø50,8 X 555Mm	1				
111	6020030672-7	Distributor Funnel 425Mm	1				
112	6020390043-3	3° Transparent Telescopic Hose Stage	1				
113	6020390844-2	Rubber Union Ø41 X Ø54 X 62Mm	1				
114	6020010706-6	Clamp 044 X 057 X 14.5Mm (Carbon Steel)	3				
115	5150010044-7	Fertilizer Flexible Conductor W/Extensor Complete(Spde/Spdet)	1				
116	6020250054-7	Rubber Tube Ø38 X Ø50,8 X 555Mm	1				
117	5272010010-0	Extension Of Seed Hose	1				
118	6020030672-7	Distributor Funnel 425Mm	1				
119	6020010706-6	Clamp 044 X 057 X 14.5Mm (Carbon Steel)	3				

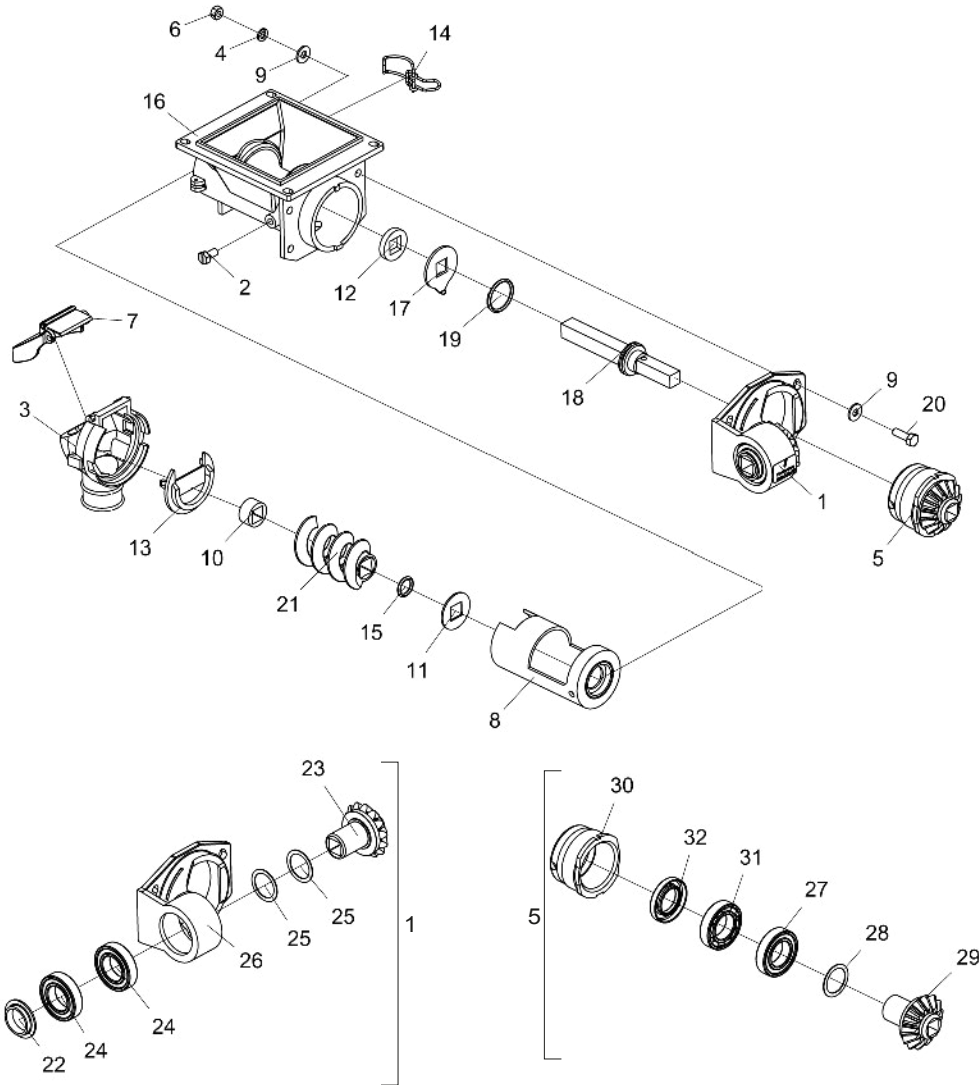
## • Pasture Seed Hopper



## • Table Pasture Seed Hopper

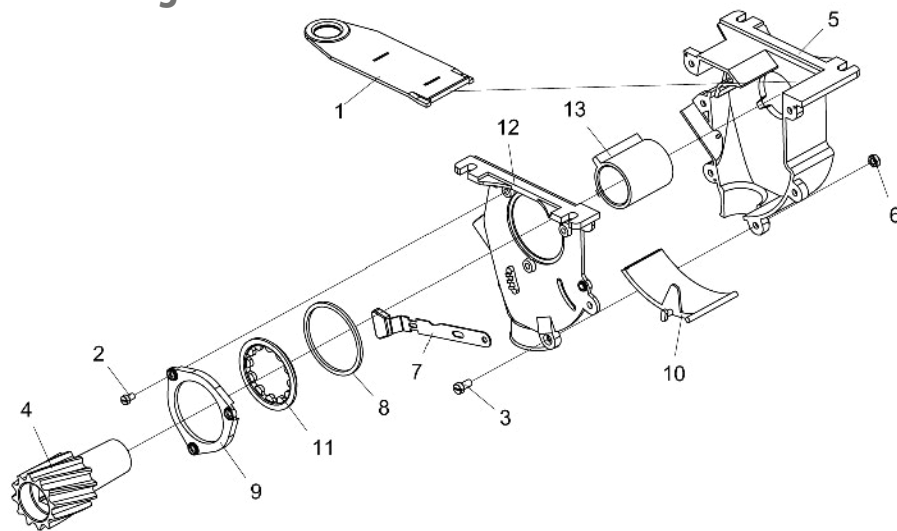
Item	Code	Product description	All	Right	Left	Item	Code	Product description	All	Right	Left
1	5092010245-7	Pasture Seed Hopper(Spde-3000)	1			41	6020311040-8	Hexagonal Head Bolt 7/16" X 2" 14F Unc1A Gr5 Rp	1		
2	5538010440-6	Cover Of Pasture Seed Hopper (Spde-3000)	1			42	5484010008-4	Fertilizer / Pasture Seed Hopper Regulator	1		
3	5484010182-0	Complete Left Regulator		1		43	6020130108-7	Grease Fitting 1/8"	1		
3	5484010181-1	Complete Right Regulator			1	44	5024010161-8	Smooth Washer Ø7 X Ø18 X 2,00Mm	32		
4	5092100006-2	Complete Seed Distributor Box	16			45	6020030082-6	Rotor Bushing	16		
5	5052030025-0	Complete Funnel Of Pasture Seed Hopper	16			46	6020310742-3	Hexagonal Nut 1/4" 20F Unc Gr5 Ch.7/16" Height 5,50Mm	32		
6	5268010202-3	Complete Chain Stretcher	1			47	6020050420-0	Seed Distributor Box	16		
7	5268010135-3	Complete Chain Stretcher	1			48	6020010402-4	Pressure Washer 1/4" Media Industry	32		
8	5136014248-9	Fixation Plate Of Pasture Seed Hopper	2			49	6020311002-5	Hexagonal Head Bolt 1/4" X 3/4" 20F Unc1A Gr2 Rt	32		
9	6020310882-9	Hexagonal Head Bolt Inox 5/16" X 3/4" 18F Unc2A Rt	2			50	6020350771-5	Rotor Of Seed Distributor Hopper	16		
10	6020050101-5	Cotterpin 1/8" X 1"	32			51	5024010132-4	Smooth Washer Ø20 X Ø32 X 1,50Mm W/Hole	16		
11	6020010404-0	Pressure Washer 5/16" Media Industry	2			52	6020390416-1	Cover Of Seed Distributor Cover	16		
12	5232011295-8	Right Hexagonal Shaft De 1/2" Pasture Seed Hopper (Spde-A 7000)		1		53	6020050419-7	Seed Distributor Box	16		
12	5232011296-6	Left Hexagonal Shaft De 1/2" Pasture Seed Hopper(Spde-A 7000)			1	54	6020312404-2	Bolt Ø6,5 X Ø3,2 X 9,5Mm	48		
13	6020250350-3	Helical Spring Ø16 X Ø18 X 16Mm	16			55	6020030205-5	Plastic Funnel Of Pasture Seed	16		
14	5024100001-7	Smooth Washer With Hexagonal Hole 13,5 X Ø25 X 1,21Mm	32			56	5372050007-4	Hose Ø5/8" X Ø27,5 X 600Mm	16		
15	6020310740-7	Hexagonal Nut 3/16" 24F Unc Gr5 Ch.3/8" Height 4,50Mm	9			57	5080011802-3	Technyl Bushing 50mm	16		
16	5024010073-5	Smooth Washer Ø8,5 X Ø20 X 2,00Mm	2			58	6020310760-1	Hexagonal Nut 5/8" 11F Unc Gr5 Ch.1.1/16" Height 15,00Mm	1		
17	5024010075-1	Smooth Washer Ø10,3 X Ø25 X 2,00Mm	12			59	6020350849-5	Stretcher Pulley	1		
18	6020310746-6	Hexagonal Nut 3/8" 16F Unc Gr5 Ch.9/16" Height 8,50Mm	11			60	6020010252-8	Retaining Oring	1		
19	6020010922-0	Nylon Belt Pmc 594 - 132 X 32 Mm	1			61	5024010059-0	Smooth Washer Ø16,5 X Ø29 X 1,21Mm	1		
20	6020010406-7	Pressure Washer 3/8" Media Industry	11			62	6020010412-1	Pressure Washer 5/8" Media Industry	1		
21	6020055107-1	Chain (Asa 40) 136 Links + Reduction	1			63	5232010472-6	Stretcher Shaft Sla 2500	1		
22	6020010400-8	Pressure Washer 3/16" Media Industry	9			64	5268010132-9	Spare Chain Stretcher	1		
23	6020311029-7	Hexagonal Head Bolt 3/8" X 1.1/2" 16F Unc1A Gr5 Rt	3			65	6020010252-8	Retaining Oring	1		
24	6020310744-0	Hexagonal Nut 5/16" 18F Unc Gr5 Ch.1/2" Height 6,50Mm	4			66	5024010059-0	Smooth Washer Ø16,5 X Ø29 X 1,21Mm	1		
25	6020010434-2	Pressure Washer Inox 5/16" Media	2			67	6020350849-5	Stretcher Pulley	1		
26	5106010104-7	Left Protector Cover		1		68	6020310179-4	Hexagonal Head Bolt 5/8" X 1.3/4" 11F Unc1A Gr5 Rt	1		
26	5106010103-9	Right Protector Cover			1	69	6020310760-1	Hexagonal Nut 5/8" 11F Unc Gr5 Ch.1.1/16" Height 15,00Mm	1		
27	6020310119-0	Bolt 3/16" X 1/2" 24F Unc1A Gr5 Rt	9			70	6020010412-1	Pressure Washer 5/8" Media Industry	1		
28	6020310026-7	Hexagonal Head Bolt 3/8" X 1.1/4" 16F Unc1A Gr5 Rt	8			71	5024010239-8	Smooth Washer Ø16,5 X Ø37 X 3,00Mm	1		
29	6020312017-9	French Head Bolt 5/16" X 1.1/4" 18F Unc1A Gr2 Rp	2			72	6020130112-5	Grease Fitting 1/8"	1		
30	6020310746-6	Hexagonal Nut 3/8" 16F Unc Gr5 Ch.9/16" Height 8,50Mm	1								
31	5296010009-3	Regulator Spindle Of Shaft (Csf)	1								
32	5204010553-0	Hub W/Hexagonal Hole	1								
33	5256010487-1	Gear 34 Teeths (Ø25,5mm)	1								
34	5204060009-4	Large Left Hub		1							
34	5204060007-8	Large Right Hub			1						
35	6020311004-1	Hexagonal Head Bolt 1/4" X 7/8" 20F Unc1A Gr5 Rt	3								
36	5484120001-5	Scale Regulator	1								
37	5080020229-6	Bushing Of Ø14 X Ø19 X 33Mm	1								
38	6020010408-3	Pressure Washer 7/16" Media Industry	1								
39	6020010991-3	Regulator Lock	1								
40	6020010402-4	Pressure Washer 1/4" Media Industry	3								

## • Dosing Set (FertiSystem)



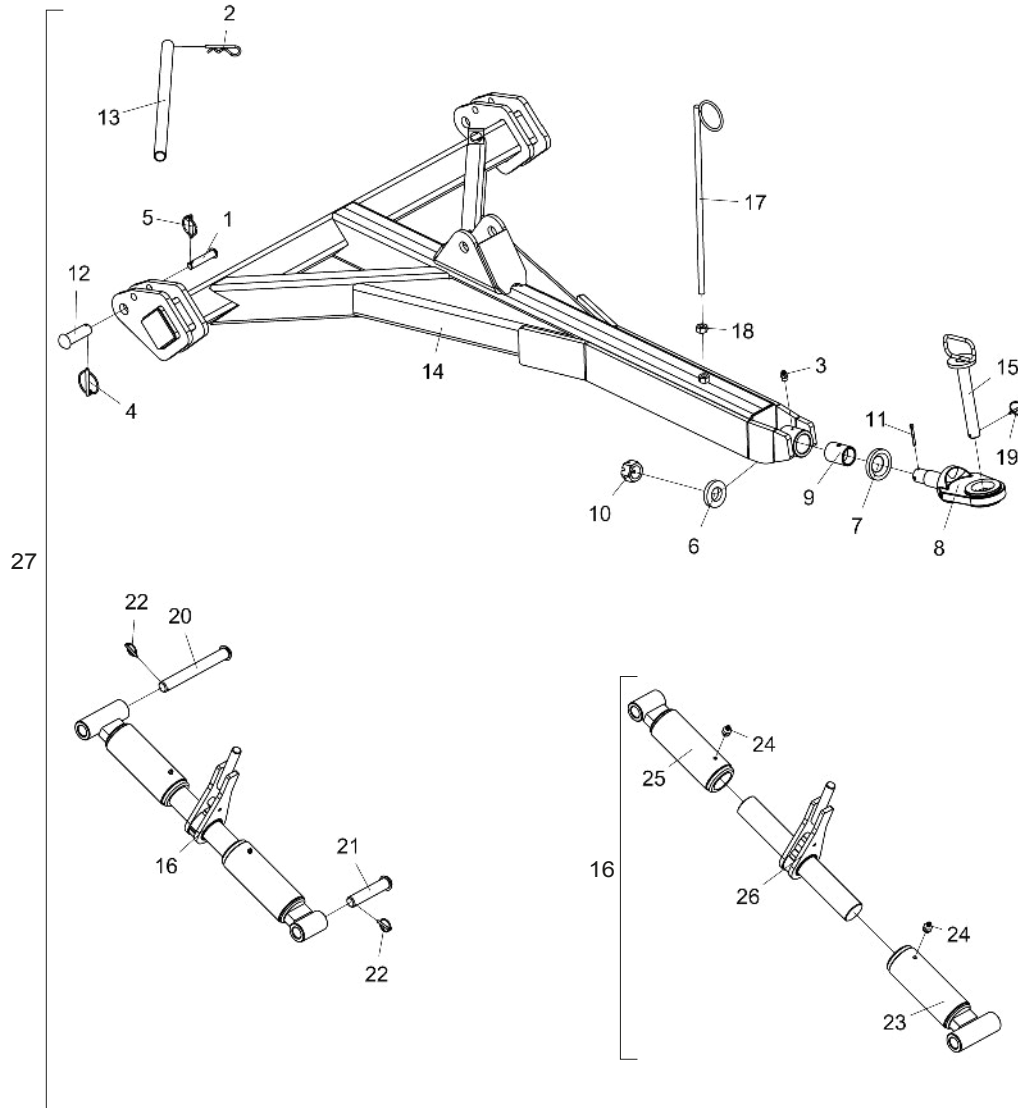
Item	Code	Product description	All
1	6020250494-1	Auto-Lub(450451002)	1
2	6020310295-2	Hexagonal Head Slotted Bolt M8 X 16Mm (200205002)	2
3	6020030302-7	Nozzle Ng(200201014)	1
4	6020010404-0	Pressure Washer 5/16" Media Industry	4
5	6020310619-2	Conjunto Mancalizacao Interna(450451001)	1
6	6020310454-8	Hexagonal Nut M8 X 1,25 Ma Cl8 Ch.13Mm H.6,50Mm	4
7	6020051127-4	Nozzle Cover Kit Ng(300304006)Emb. C/ 5	1
8	6020350530-5	Coat (300304002)	1
9	5024010073-5	Smooth Washer Ø8,5 X Ø20 X 2,00Mm	8
10	6020010230-7	Lock Ring (200201007)	1
11	6020010503-9	Square Inox Washer (200202011)	1
12	6020110095-2	Feltro (07000023)	1
13	6020390067-0	Transversal Cover (200201008)	1
14	6020310680-0	Clamp 0,70	2
15	6020010008-8	O' Ring Fk1-209 3,5 X 17,5-Ref 2209(100103004)	1
16	6020051128-2	Body Ng(200201013)	1
17	6020010504-7	Cleaning Washer (200201004)	1
18	6020090686-4	Shaft Ng(Fertysystem 200201038)	1
19	6020010041-0	O' Ring 2-219 N3009-90Nbr (32,92)	1
20	6020310561-7	Hexagonal Head Bolt M8 X 1,25 X 25Mm Cl 5.8 Rt	4
21	6020250494-1	Conjunto Mancalizacao Auto-Lub(450451002)	1
22	6020310604-4	Bearing Protection (200201011)	1
23	6020310580-3	Actuation Pinion(200201012)	1
24	6020350006-0	Bearing 6006 2Rs Ddu	2
25	5024010243-6	Smooth Washer Ø30 X Ø39 X 0,91Mm	2
26	6020250417-8	Bearing Auto-Lub (07000070)	1
27	6020350006-0	Bearing 6006 2Rs Ddu	1
28	5024010243-6	Smooth Washer Ø30 X Ø39 X 0,91Mm	1
29	6020310582-0	Moved Pinion 30(300302022)	1
30	6020030074-5	Bushing (200201010)	1
31	6020350198-9	Bearing 6006	1
32	6020350320-5	Retainer	1

## • Seed Dosing



Item	Code	Product description	All
1	6020395083-0	Cover Fertipo (200201023)	1
2	6020317401-5	Bolt M5 X 8mm (Amp 851.013)	3
3	6020317400-7	Bolt M6 X 12mm (Amp 851.009)	6
4	6020350963-7	Rotor (Amp 851.014)	1
5	6020058580-4	Protection Cap (2000) (04.40.00)	1
6	6020317402-3	Hexagonal Nut M6(Amp 851,007)	6
7	6020350965-3	Regulator Of Seed Input (Nardi-11760447)	1
8	6020015940-6	Plastic Ring 0185Mm X 5,00Mm	1
9	6020058578-2	Protection Cap (2000) (04.40.00)	1
10	6020350964-5	Coat (300304002)	1
11	6020015941-4	Cleaning Washer (200201004)	1
12	6020058579-0	Protection Cap (2000) (04.40.00)	1
13	6020030788-0	Bushing (200201010)	1

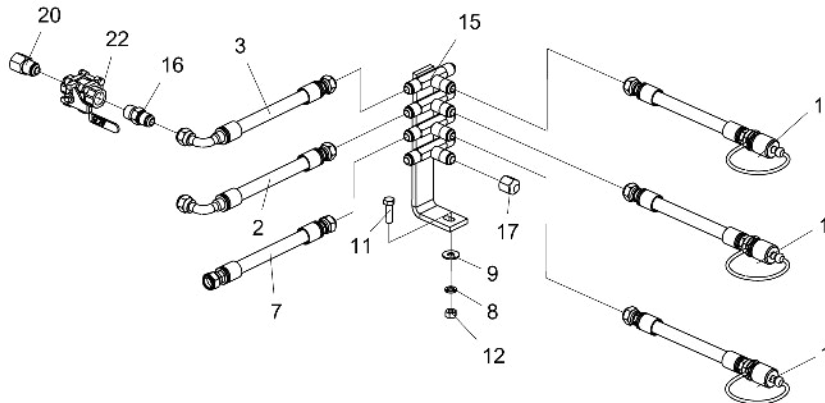
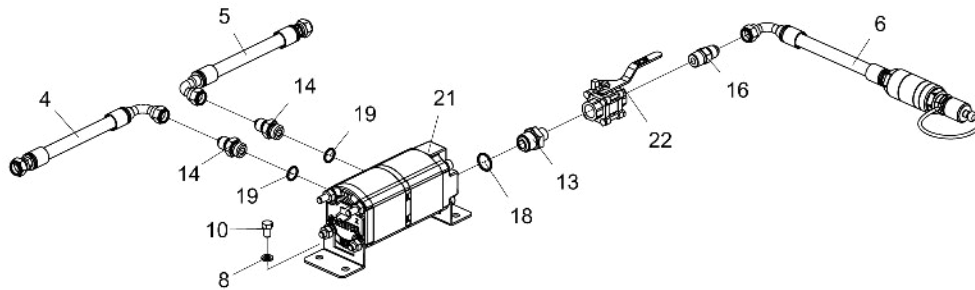
## • Hitch Drawbar



Item	Code	Product description	All
1	5432120028-4	French Head Pin Ø3/4" X 86Mm	2
2	6020390294-0	Lock Nma - Type "R" Ø3,5 X 67Mm(Special)	2
3	6020130100-1	Grease Fitting 1/4"	1
4	6020390301-7	Lock Ø5,75 X 50Mm	2
5	6020390293-2	Lock Ø5,75 X 40Mm	2
6	5024010332-7	Smooth Washer Ø39 X Ø75 X 12,50Mm	1
7	5024010327-0	Smooth Washer Ø45 X Ø87 X 12,00Mm	1
8	5332010018-2	Spare Hitch Shackle	1
9	5080010151-1	Bushing Of Drawbar	1
10	6020310857-8	Nut 1.1/2" 12F Unf Gr2 Ch.2" Height 30,00Mm	1
11	6020050116-3	Cotterpin 1/4" X 2"	1
12	6020310665-6	French Head Pin Ø30,53 X 85mm	2
13	5552010178-0	Tube Of Ø26,8 X Ø32 X 600Mm	1
14	5084010196-4	Hitch Drawbar(Spde-A)	1
15	5432010025-1	Pin Ø1.1/4" X 215Mm	1
16	5484010048-3	Regulator 3°point Complete	1
17	5530060020-3	Hoses Support	1
18	6020310760-1	Hexagonal Nut 5/8" 11F Unc Gr5 Ch.1.1/16" Height 15,00Mm	1
19	6020390301-7	Lock Ø5,75 X 50Mm	1
20	5432010259-9	French Head Pin Ø30,53 X 240Mm	1
21	5432120031-4	French Head Pin Ø30,53 X 135Mm	1
22	6020390293-2	Lock Ø5,75 X 40Mm	2
23	5484010046-7	Right Regulator 3°point	1
24	6020130108-7	Grease Fitting 1/8"	2
25	5484010047-5	Left Regulator 3° Point	1
26	5232010530-7	Complete Regulator Shaft Of 3 Point	1
27	5084010195-6	Complete Hitch Drawbar(Spde-A)	1

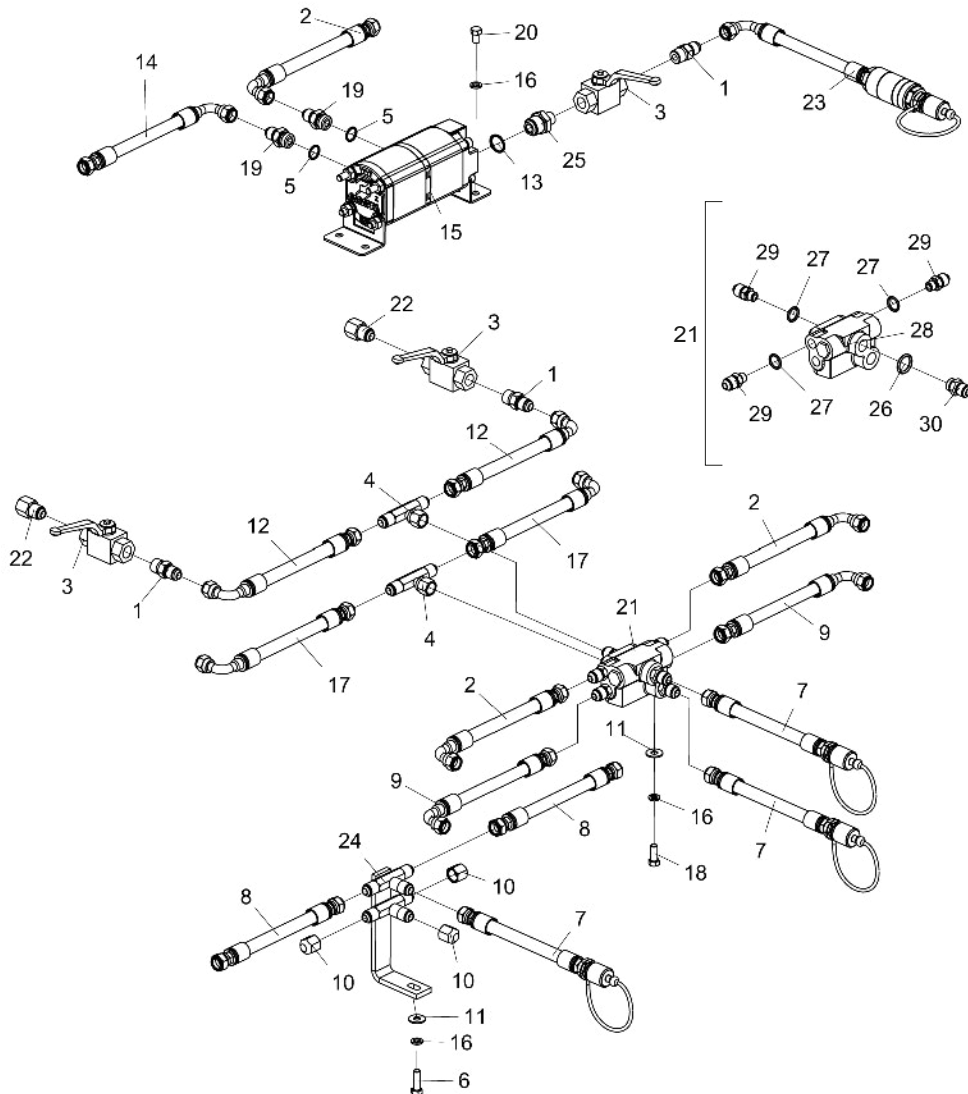
The Complete Hitch Drawbar (27) consists of all the parts listed above. However, when sold complete, Items 9 to 15 will not accompany you.

## • Hydraulic System W/Distributor for Double Control Without Row Marker



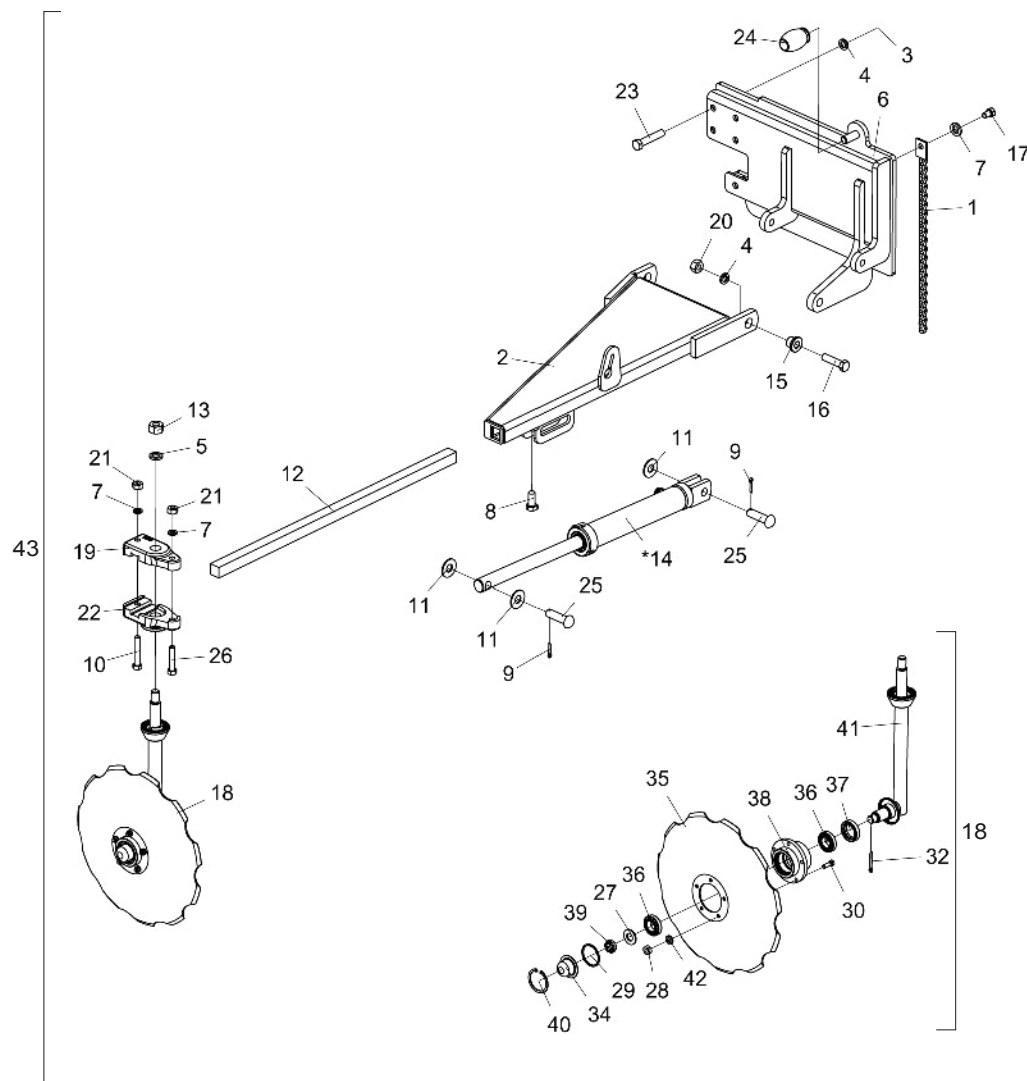
Item	Code	Product description	All
1	5372011092-6	Hose Ø3/8" X 3000Mm With 1Trg And 1Trf With Male Quickly Coupling	3
2	6020250941-2	High Pressure Hydraulic Hose 3/8" X 1400Mm With 1Tcg And 1Trg (Sae 100R2 At -	2
3	6020250936-6	High Pressure Hydraulic Hose 3/8" X 1800Mm With 1Tcg And 1Trg (Sae 100R2 At -	2
4	6020250918-8	High Pressure Hydraulic Hose 3/8" X 3200Mm With 1Tcg 90° And 1Trg (Sae 100R2 At -	1
5	6020250878-5	High Pressure Hydraulic Hose 3/8" X 3800Mm With 1Tcg And 1Trg (Sae 100R2 At -	1
6	5372011059-4	Hose Ø3/8" X 3000Mm With 1Tcg And 1TrfW/Filter And Male Quickly Coupling	1
7	6020250843-2	High Pressure Hydraulic Hose 3/8" X 4000Mm With 2Trg (Sae 100R2 At - P.T.4800Psi)	2
8	6020010406-7	Pressure Washer 3/8" Media Industry	5
9	5024010075-1	Smooth Washer Ø10,3 X Ø25 X 2,00Mm	1
10	6020311030-0	Hexagonal Head Bolt 3/8" X 5/8" 16F Unc1A Gr2 Rt	4
11	6020310026-7	Hexagonal Head Bolt 3/8" X 1.1/4" 16F Unc1A Gr5 Rt	1
12	6020310746-6	Hexagonal Nut 3/8" 16F Unc Gr5 Ch.9/16" Height 8,50Mm	1
13	5412010132-6	Nipple R.1.1/16" Un X R.1/2" Npt X 48Mm Hexagonal 1.1/4"	1
14	5412010088-5	Nipple R.7/8" Unf X R.3/4" Unf X 47Mm With Hexagonal 1"	2
15	5224010100-9	Oil Distributor	1
16	5412010099-0	Nipple R.1/2" Npt X R.3/4" Unf X 50Mm With Hexagonal 7/8"	3
17	5538010158-0	Cover Of Nipple R.3/4" Unf	3
18	6020010024-0	O`Ring 2-119 N3006-90Nbr (23,47)	1
19	6020010060-6	O`Ring 6-040 N3006-90Nbr (18,00)	2
20	5412010104-0	Nipple R.1/2"(G) X 3/4" Unf X 45Mm With Hexagonal 1"	2
21	6020430283-1	Rotating Flow Divider Valve Of Gears Pld20/2/Cs-Od/16-Oc/16-	1
22	6020430194-0	Sphere Valve 1/2" Npt Stauff:Bbvm20080200M / Gemels 1111Ab-	3

## • Hydraulic System SPDE-A W/Row Marker



Item	Code	Product description	All
1	5412010099-0	Nipple R.1/2" Npt X R.3/4" Unf X 50Mm With Hexagonal 7/8"	3
2	6020250878-5	High Pressure Hydraulic Hose 3/8" X 3800Mm With 1Tcg And 1Trg (Sae 100R2 At -	3
3	6020430194-0	Sphere Valve 1/2" Npt Stauff:Bbvm20080200M / Gemels 1111Ab-	3
4	5412050020-4	"T" Nipple	2
5	6020010060-6	O' Ring 6-040 N3006-90Nbr (18,00)	2
6	6020310026-7	Hexagonal Head Bolt 3/8" X 1.1/4" 16F Unc1A Gr5 Rt	1
7	5372011092-6	Hose Ø3/8" X 3000Mm With 1Trg And 1Trf With Male Quickly Coupling	3
8	6020250843-2	High Pressure Hydraulic Hose 3/8" X 4000Mm With 2Trg (Sae 100R2 At - P.T.4800Psi)	2
9	6020250870-0	High Pressure Hydraulic Hose 3/8" X 4100Mm With 1Tcg 90° And 1Trg (Sae 100R2 At -	2
10	5538010158-0	Cover Of Nipple R.3/4" Unf	3
11	5024010075-1	Smooth Washer Ø10,3 X Ø25 X 2,00Mm	2
12	6020250936-6	High Pressure Hydraulic Hose 3/8" X 1800Mm With 1Tcg And 1Trg (Sae 100R2 At -	2
13	6020010024-0	O' Ring 2-119 N3006-90Nbr (23,47)	1
14	6020250918-8	High Pressure Hydraulic Hose 3/8" X 3200Mm With 1Tcg 90° And 1Trg (Sae 100R2 At -	1
15	6020430283-1	Rotating Flow Divider Valve Of Gears Pld20/2/Cs-Od/16-0c/16-	1
16	6020010406-7	Pressure Washer 3/8" Media Industry	6
17	6020250941-2	High Pressure Hydraulic Hose 3/8" X 1400Mm With 1Tcg And 1Trg (Sae 100R2 At -	2
18	6020310021-6	Hexagonal Head Bolt 3/8" X 1" 16F Unc1A Gr5 Rt	1
19	5412010088-5	Nipple R.7/8" Unf X R.3/4" Unf X 47Mm With Hexagonal 1"	2
20	6020311030-0	Hexagonal Head Bolt 3/8" X 5/8" 16F Unc1A Gr2 Rt	4
21	5224010104-1	Complete Oil Distributor With 8 Nipples	1
22	5412010104-0	Nipple R.1/2" (G) X 3/4" Unf X 45Mm With Hexagonal 1"	2
23	5372011059-4	Hose Ø3/8" X 3000Mm With 1Tcg And 1Trf W/Filtro And Engate Rapido Macho	1
24	5224010022-3	Oil Distributor	1
25	5412010132-6	Nipple R.1.1/16" Un X R.1/2" Npt X 48Mm Hexagonal 1.1/4"	1
26	6020010022-3	O' Ring 2-114 N3006-90Nbr (15,54)	2
27	6020010025-8	O' Ring 6-091 N3006-90Nbr(Ø12,00 X 2,00Mm)	6
28	6020430196-7	Valve Block	1
29	5412010008-7	Nipple R.3/4" Unf X R.9/16" Unf X 40Mm With Hexagonal 3/4"	6
30	5412010035-4	Nipple R.3/4" Unf X R.3/4" Unf X 38Mm With Hexagonal 7/8"	2

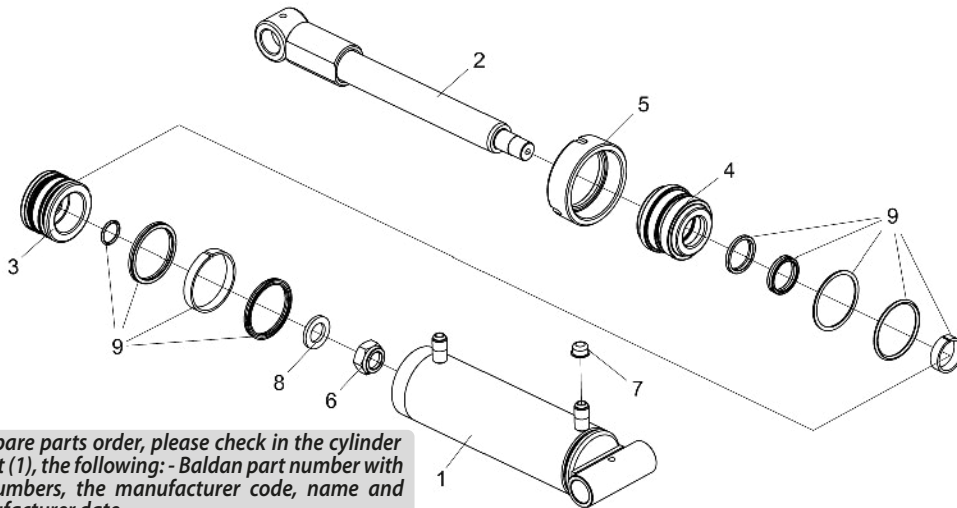
## • Complete Row Marker



Item	Code	Product description	All	Right	Left
1	5192010046-9	Complete Chain De 05,5Mm 510Mm Cpl	1		
2	5036010095-0	Right Row Marker Of Front Marker		1	
2	5036010094-1	Left Row Marker Of Front Marker			1
3	6020310762-8	Hexagonal Nut 5/8" 18F Unf Gr5 Ch.15/16" Height 15,00Mm	5		
4	6020010412-1	Pressure Washer 5/8" Media Industry	7		
5	6020010414-8	Pressure Washer 3/4" Media Industry	1		
6	5530011931-9	Fixation Right Support Of Marker		1	
6	5530011932-7	Fixation Left Support Of Marker			1
7	6020010410-5	Pressure Washer 1/2" Media Industry	3		
8	6020312082-9	Hexagonal Head Bolt 5/8" X 1.1/2" 11F Unc1A Gr5 Rt	1		
9	6020050104-0	Cotterpin 3/16" X 1"	2		
10	6020311057-2	Hexagonal Head Bolt 1/2" X 3" 12F W Gr5 Rp	1		
11	5024010142-1	Smooth Washer Ø20,3 X Ø46,5 X 3,00Mm	3		
12	5040080019-4	Square Bar De 1.1/8" X 830Mm	1		
13	6020310770-9	Hexagonal Nut 3/4" 10F Unc Gr5 Ch.1.7/32" Height 18,50Mm	1		
*14	6020055698-7	Hydraulic Cylinder "O.D" Ø1.1/4" X Ø2" X 246Mm(Course) X 499Mm(Closed)	1		
15	5080010407-3	Bushing Of Ø16,2 X Ø1.1/2" X 24Mm	2		
16	6020311075-0	Hexagonal Head Bolt 5/8" X 2.1/4" 11F Unc1A Gr5 Rp	2		
17	6020311046-7	Hexagonal Head Bolt 1/2" X 3/4" 12F W Gr2 Rt	1		
18	5386010138-2	Row Marker		1	
18	5386010139-0	Row Marker			1
19	6010601393-7	Lower Rosette Of Row Marker	1		
20	6020310760-1	Hexagonal Nut 5/8" 11F Unc Gr5 Ch.1.1/16" Height 15,00Mm	2		
21	6020310754-7	Hexagonal Nut 1/2" 12F W Gr5 Ch.7/8" Height 12,00Mm	2		
22	6010601392-9	Upper Rosette Of Row Marker	1		
23	6020310438-6	Hexagonal Head Bolt 5/8" X 3.1/4" 18F Unf1A Gr5 Rp	5		
24	6020030170-9	Stop Furrower 85.991.00	1		
25	6020310597-8	Pin Ø3/4" X 62mm	2		
26	6020312060-8	Hexagonal Head Bolt 1/2" X 2.1/4" 12F W Gr5 Rp	1		
27	5024010258-4	Smooth Washer Ø20 X Ø38,5 X 3,00Mm	1		
28	6020310744-0	Hexagonal Nut 5/16" 18F Unc Gr5 Ch.1/2" Height 6,50Mm	5		
29	6020010130-0	Gasket Ring 050 X 057 X 2Mm	1		
30	6020310038-0	Hexagonal Head Bolt 5/16" X 1" 18F Unc1A Gr5 Rt	5		
32	6020050101-5	Cotterpin 1/8" X 1"	1		
34	6020050649-1	Hub Cap (External Diameter 57,00Mm)	1		
35	2759366580-7	Concave Notched Disc Blade 16 X 3,50 Hc Rd 74Mm + 5H Rd 8,7Mm R=48Mm Single Bevel	1		
36	6020350077-0	Bearing 44610/49	2		
37	6020350268-3	Retainer Ø36,00 X Ø52,00 X 11,00Mm	1		
38	5204010247-7	Disc Hub	1		
39	6020310797-0	Nut 3/4" 16F Unf Gr5 Ch.1.1/16" Height 13,00Mm	1		
40	6020011025-3	Retaining Ring I-058	1		
41	5386010142-0	Row Marker		1	
41	5386010141-2	Row Marker			1
42	6020010404-0	Pressure Washer 5/16" Media Industry	5		
43	5386010183-8	Complete Row Marker Spe 4000		1	
43	5386010182-0	Complete Row Marker Spe 4000			1

\* Item 14 - See page 26

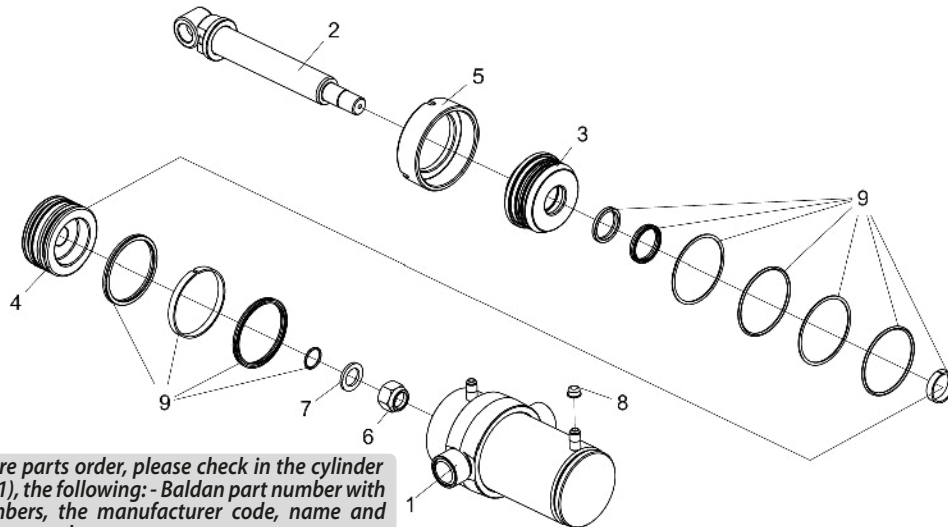
## • Central Cylinder of Rows Articulation



For spare parts order, please check in the cylinder jacket (1), the following: - Baldan part number with 11 numbers, the manufacturer code, name and manufacturer date.

Item	Code	Product description	All
1	6020058791-2	Jacket Ø82.6 x Ø95.1 x 349mm	1
2	6020150128-0	Piston Rod Ø41,27 (1.5/8")x 389.5mm	1
3	6020090704-6	Piston Plung Ø26,72 x Ø81,95 x 50mm	1
4	6020058790-4	Piston Coupling Ø41,70 x 90,5 x 66mm	1
5	6020317396-5	Nut Ø3.3/4" - 12fpp - UM	1
6	6020310814-4	Self-Locking Nut With Nylon 1" 14F Uns Gr5 Ch.1.1/2" H.20,00Mm	1
7	6020390042-5	Plastic Cover Bt-21	2
8	5024010323-8	Smooth Washer Ø27 X Ø44,5 X 4,75Mm	1
9	6020190066-5	Repair Kit For Hydraulic Cylinders "D.A" 1.5/8" X 3.1/4"	1

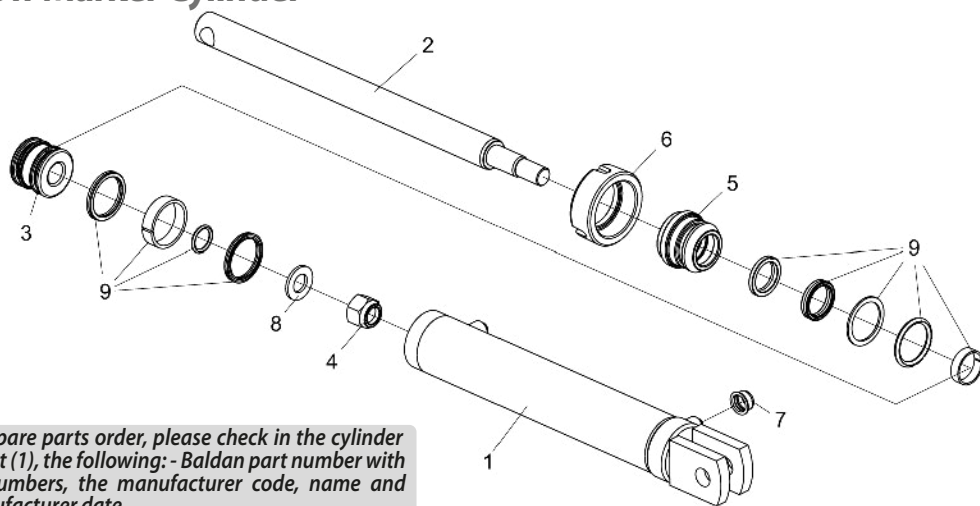
## • Lateral Cylinder of Wheels Articulation



For spare parts order, please check in the cylinder jacket (1), the following: - Baldan part number with 11 numbers, the manufacturer code, name and manufacturer date.

Item	Code	Product description	All
1	5144010803-6	Jacket Ø127 (5") x 92mm	1
2	5326011725-0	Piston Rod Ø50,80 (Ø2") x 393mm	1
3	5080010228-3	Guide Bushing 5"	1
4	5236010027-8	Piston Plung Ø33 X Ø126,40 X 60MM	1
5	5456050006-0	Nut Piston	1
6	6020310795-4	Self-Locking Nut With Nylon 1.1/4" 12F Unf Gr5 Ch.1.7/8" H.33,00Mm	1
7	5024010321-1	Smooth Washer Ø33 X Ø50,8 X 5,00Mm	1
8	6020390042-5	Plastic Cover Bt-21	2
9	6020190069-0	Repair Kit For Hydraulic Cylinders "D.A" 2" X 5"	1

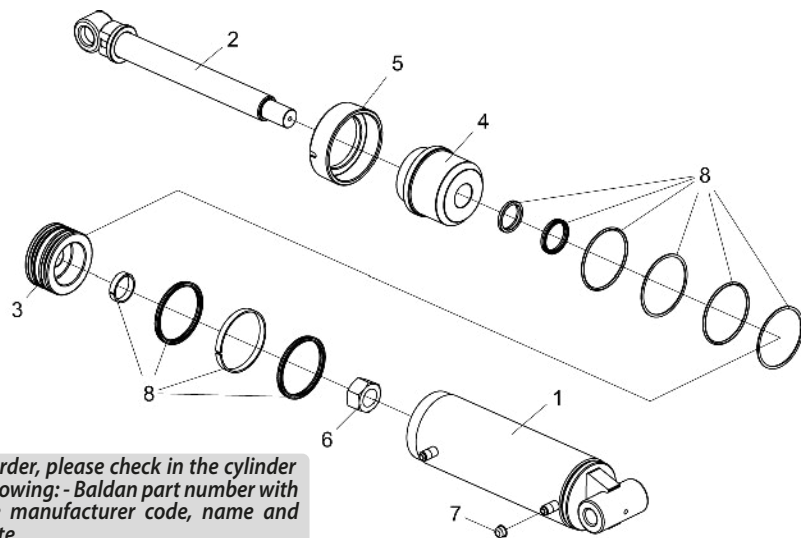
## • Row Marker Cylinder



For spare parts order, please check in the cylinder jacket (1), the following: - Baldan part number with 11 numbers, the manufacturer code, name and manufacturer date.

Item	Code	Product description	All
1	5144040335-6	Jacket Ø50,80 (Ø2") X 399Mm	1
2	5326020242-8	Piston Rod Ø31,75 (Ø1.1/4") x 462mm	1
3	5236010017-0	Piston Plung 2"	1
4	6020310802-0	Self-Locking Nut With Nylon 3/4" 16F Unf Gr5 Ch.1.1/8" H.22,50Mm	1
5	5152010024-9	Piston Coupling 2"	1
6	5456050019-2	Nut Fron Piston	1
7	6020390042-5	Plastic Cover Bt-21	2
8	5024010336-0	Smooth Washer Ø19,5 X Ø35,5 X 3,00Mm	1
9	6020190064-9	Repair Kit For Hydraulic Cylinders "D.A" 1.1/4" X 2"	1

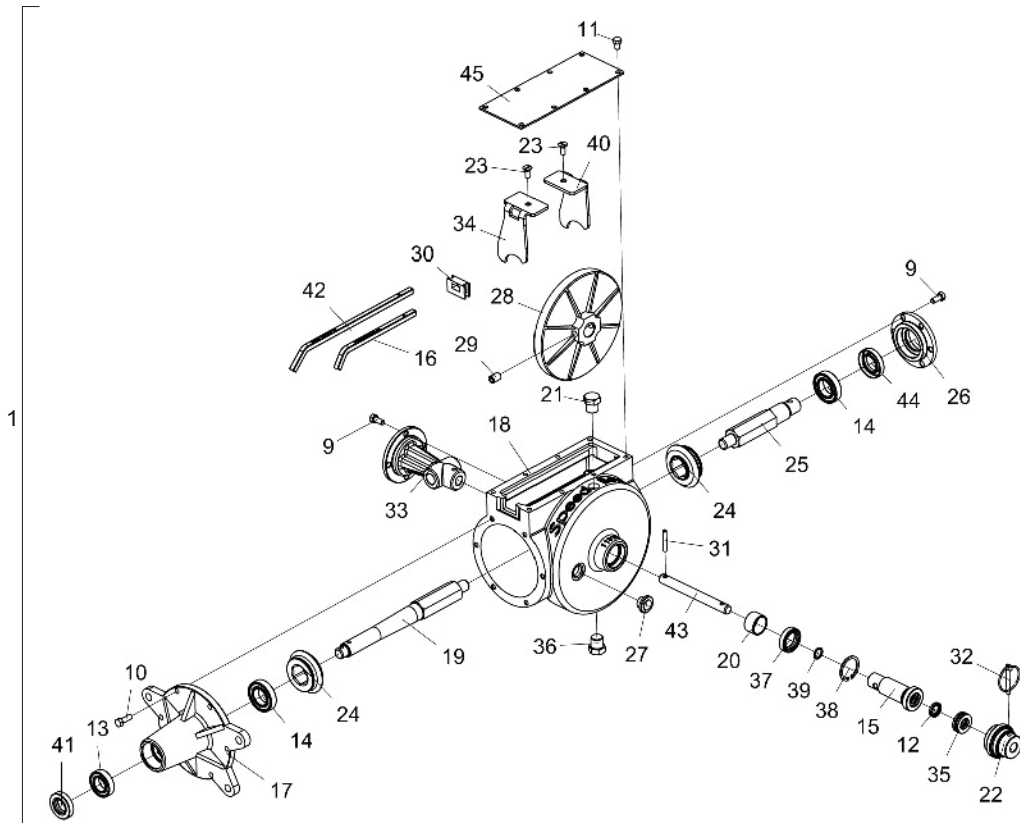
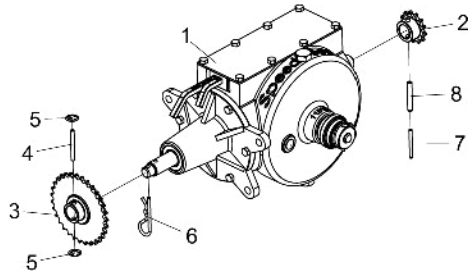
## • Lateral Transport Assembly Cylinder



For spare parts order, please check in the cylinder jacket (1), the following: - Baldan part number with 11 numbers, the manufacturer code, name and manufacturer date.

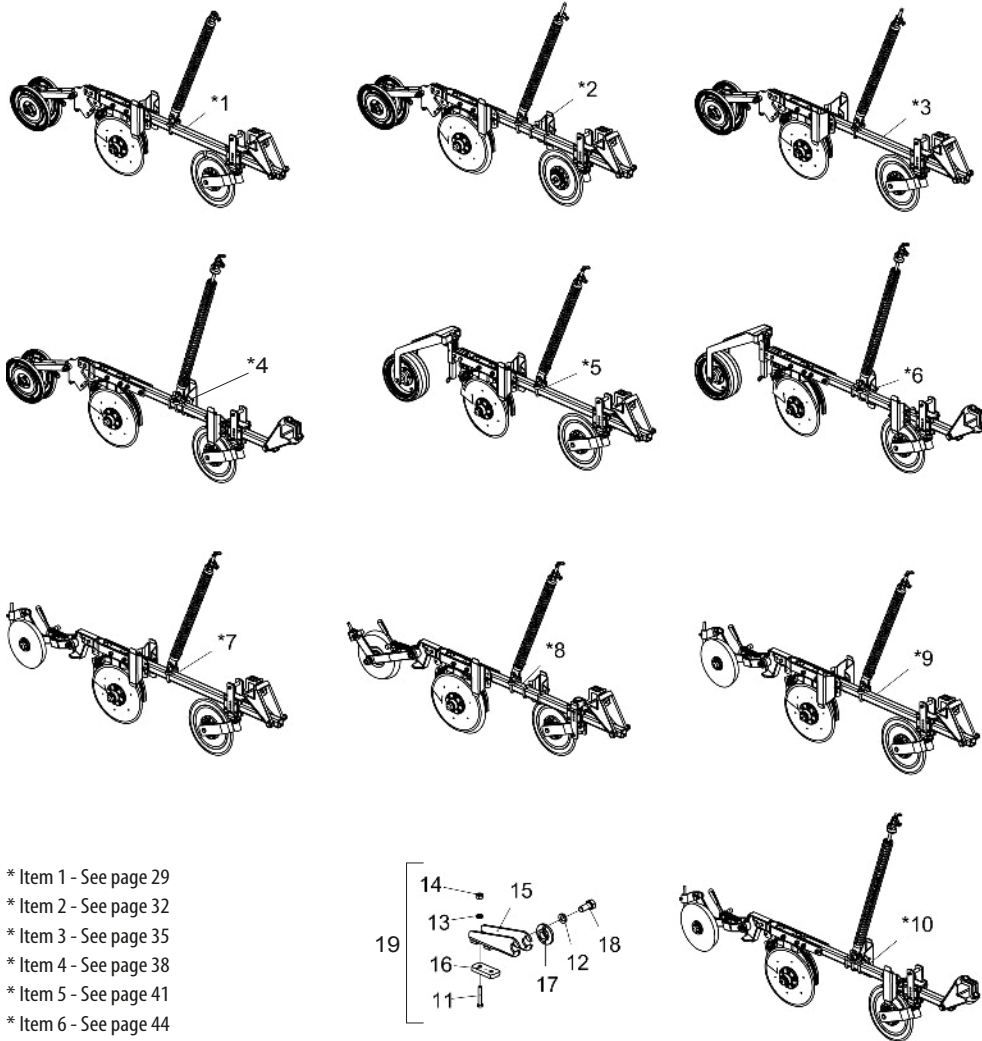
Item	Code	Product description	All
1	5144010789-7	Jacket Ø127 (Ø5") x 483mm	1
2	5326011666-1	Piston Rod Ø50,8 (Ø2") x 458mm	1
3	5236010002-2	Piston Plung R1.1/2" UNF X Ø126,2 X 60MM	1
4	5152010002-8	Piston Coupling Ø51,20 X Ø126,60 X 122MM	1
5	5456050006-0	Nut Piston	1
6	6020310772-5	Hexagonal Nut 1.1/2" 12F Unf Gr5 Ch.2.1/4" Height 33,00Mm	1
7	6020390042-5	Plastic Cover Bt-21	2
8	6020190069-0	Repair Kit For Hydraulic Cylinders "D.A" 2" X 5"	1

## • Speed Box



Item	Code	Product description	All
1	5092010205-8	Complete Right Speed Box	1
1	5092010206-6	Complete Left Speed Box	1
2	5256010509-6	Gear 13 Teeth	1
3	5256010054-0	Complete Gear 20/31 Teeth	1
4	5432010040-5	Fuse Pin Ø6 X 60Mm	1
5	6020010326-5	Retaining Oring	2
6	6020390308-4	Lock Nma - Type "R" Ø4,5 X 80Mm	1
7	6020317571-2	Heavy Elastic Pin Ø5 X 40mm	1
8	6020310508-0	Heavy Elastic Pin Ø8 X 40Mm	1
9	6020312020-9	Hexagonal Head Bolt 5/16" X 3/4" 18F Unc1A Gr5 Rt	10
10	6020310038-0	Hexagonal Head Bolt 5/16" X 1" 18F Unc1A Gr5 Rt	6
11	6020311020-3	Hexagonal Head Bolt 5/16" X 1/2" 18F Unc1A Gr2 Rt	8
12	6020350274-8	Retainer Ø15,90 X Ø25,40 X 4,50Mm	1
13	6020350075-3	Bearing 6005 2Rs	1
14	6020350006-0	Bearing 6006 2Rs Ddu	2
15	5080010232-1	Bushing Of Ø25 X 100Mm	1
16	5260040007-0	Numerical Regulating Shaft De 200Mm	1
17	5538010093-1	Cover Of Reduction Box	1
18	5112010011-8	Right Gear Box Housing	1
18	5112010012-6	Left Gear Box Housing	1
19	5232010695-8	Small Shaft Of Gear Box	1
20	5080020804-9	Bushing Of Ø30 X Ø35 X 21Mm	1
21	5081010013-0	Plug R.1/2 X 14 Npt W/Hole 3,00Mm	1
22	5468010024-4	Shaft Handle	1
23	6020312502-2	Bolt N°10 X 1/2" 24F Unc2A Gr2 Rt	2
24	6020010999-9	Gear 21 Teeth	2
25	5232120183-0	Small Shaft Of Gear Box	1
26	5538010086-9	Front Cover Of Reduction Box	1
27	6020430193-2	Oil Display	1
28	5256060005-4	Crown Of Reduction Box	1
29	6020317426-0	Allen Bolt S/C 1/2" X 3/4" 12FW CI12.9 Rt (Phosphated)	2
30	6020030015-0	Protection Speed Box Protection With Hole	1
31	6020310506-4	Heavy Elastic Pin Ø6 X 40Mm	1
32	6020390301-7	Lock Ø5,75 X 50Mm	1
33	5538010085-0	Rear Cover	1
34	5554010015-1	Left Support	1
35	6020350086-9	Bearing Skf 51203	1
36	5081010012-2	Plug R.1/2 X 14 Npt	1
37	6020350275-6	Retainer Ø30,00 X Ø43,00 X 9,50Mm	1
38	6020010305-2	Retaining Ring I-42	1
39	6020010022-3	O' Ring 2-114 N3006-90Nbr (15,54)	1
40	5554010017-8	Right Support	1
41	6020350204-7	Retainer Ø25,00 X Ø47,00 X 10,00Mm	1
42	5260040006-1	Alphabetical Regulating Shaft De 299Mm	1
43	5232020209-4	Shaft Ø5/8" X 157Mm	1
44	6020350245-4	Retainer Ø30,00 X Ø52,00 X 10,00Mm	1
45	5538060003-9	Cover Of 100 X 250 X 3,00Mm	1

## • Planting Rows

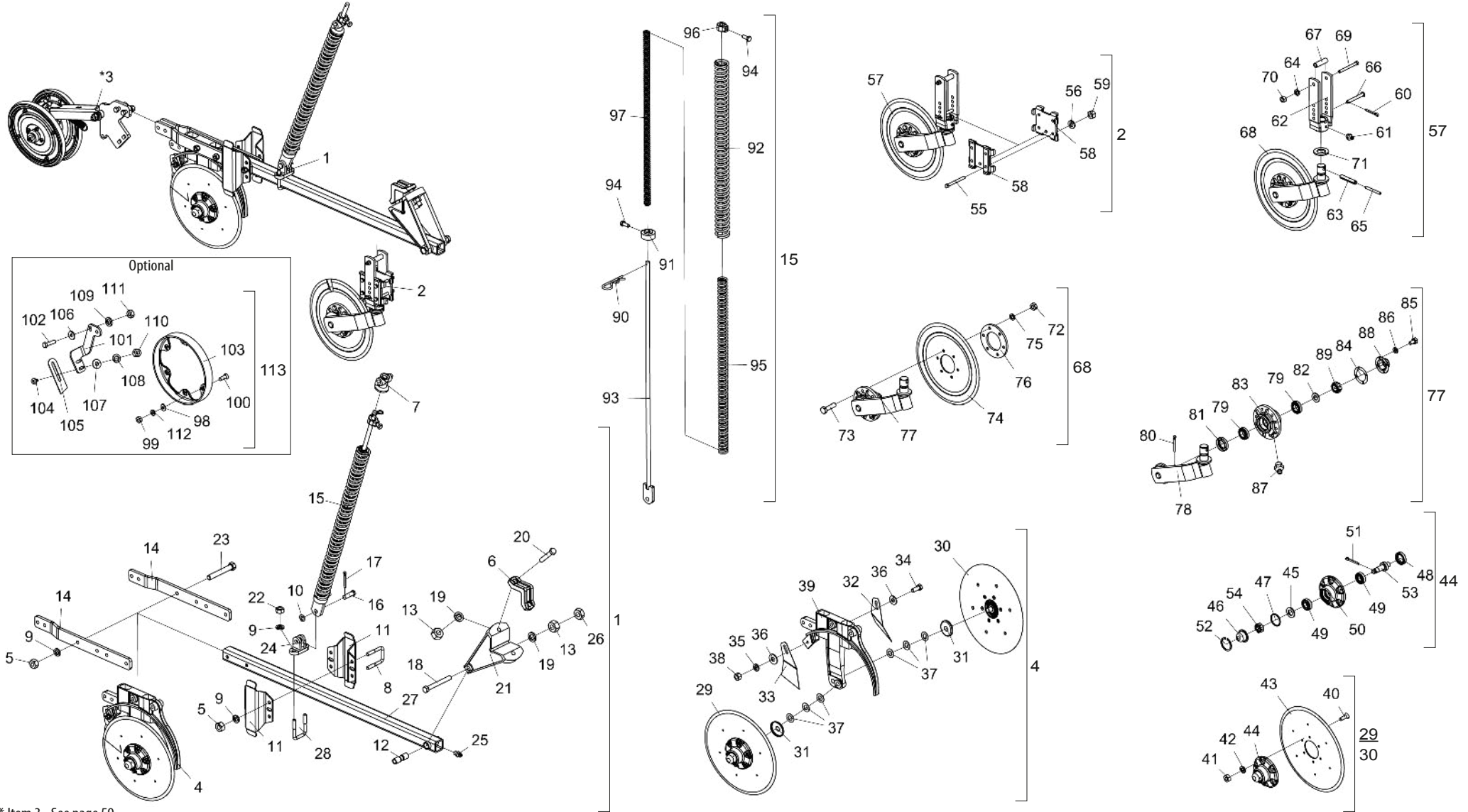


- \* Item 1 - See page 29
- \* Item 2 - See page 32
- \* Item 3 - See page 35
- \* Item 4 - See page 38
- \* Item 5 - See page 41
- \* Item 6 - See page 44
- \* Item 7 - See page 47
- \* Item 8 - See page 50
- \* Item 9 - See page 53
- \* Item 10 - See page 56

The number of Items from 11 to 19 refer to 1 (one) Row.

Item	Code	Product description	All
*1	2517011755-0	Small Right Row Unit W/Cutting Rippled Disc W/Compactor "V" Wheel	1
*1	2517011756-8	Large Right Row Unit W/Cutting Rippled Disc W/Compactor "V" Wheel	1
*1	2517011757-6	Small Left Row Unit W/Cutting Rippled Disc W/Compactor "V" Wheel	1
*1	2517011758-4	Large Left Row Unit W/Cutting Rippled Disc W/Compactor "V" Wheel	1
*2	2517011769-0	Large Right Lateral Row Unit W/Cutting Rippled Disc W/Compactor "V" Wheel	1
*2	2517011770-3	Left Lateral Row Unit W/Cutting Rippled Disc W/Wheel	1
*3	2517012448-3	Small Right Row W/Rippled Cutting Disc W/ "V" Compaction Wheel Spacing 250mm	1
*3	2517012449-1	Large Right Row W/Rippled Cutting Disc W/ "V" Compaction Wheel Spacing 250mm	1
*3	2517012450-5	Small Left Row W/Rippled Cutting Disc W/ "V" Compaction Wheel Spacing 250mm	1
*3	2517012451-3	Large Left Row W/Rippled Cutting Disc W/ "V" Compaction Wheel Spacing 250mm	1
*4	2517012459-9	Small Lateral Right Row W/Rippled Cutting Disc W/ "V" Compaction Wheel Spacing 250mm	1
*4	2517012453-0	Small Lateral Left Row W/Rippled Cutting Disc W/ "V" Compaction Wheel Spacing 250mm	1
Optional			
*5	2517012332-0	Large Right Row Unit W/Rippled Coulter Disc W/Concave Depth Wheel W/Regulator Support(Spde-A)	1
*5	2517012333-9	Small Right Row Unit W/Rippled Coulter Disc W/Concave Depth Wheel W/Regulator Support(Spde-A)	1
*5	2517012334-7	Large Left Row Unit W/Rippled Coulter Disc W/Concave Depth Wheel W/Regulator Support(Spde-A)	1
*5	2517012336-3	Small Left Row Unit W/Rippled Coulter Disc W/Concave Depth Wheel W/Regulator Support(Spde-A)	1
*6	2517012337-1	Large Right Lateral Row Unit W/Concave Depth Rippled Coulter Disc W/Regulator Support(Spde-A)	1
*6	2517012335-5	Small Left Lateral Row Unit W/Rippled Coulter Disc W/Heavy Iron Compactor Wheel (Spde-A)	1
*7	2517011530-1	Small Right Row Unit W/Iron Wheel Compactor Heavy (Spde-A)	1
*7	2517011531-0	Large Right Row Unit W/Iron Wheel Compactor Heavy (Spde-A)	1
*7	2517011532-8	Small Left Row Unit W/Iron Wheel Compactor Heavy (Spde-A)	1
*7	2517011533-6	Large Left Row Unit W/Iron Wheel Compactor Heavy (Spde-A)	1
*7	2517011534-4	Small Right Row Unit W/Cutting Rippled Disc W/Iron Wheel Compactor	1
*7	2517011535-2	Large Right Row Unit W/Cutting Rippled Disc W/Iron Wheel Compactor	1
*7	2517011536-0	Small Left Row Unit W/Cutting Rippled Disc C/Iron Compactor Wheel	1
*7	2517011537-9	Large Left Row Unit W/Cutting Rippled Disc C/Iron Compactor Wheel	1
*8	2517011765-7	Right Lateral Row Unit Maior W/Iron Wheel Compactor Pesada(Spde-A)	1
*8	2517011766-5	Small Left Lateral Row Unit W/Iron Wheel Compactor Pesada(Spde-A)	1
*8	2517011767-3	Large Right Lateral Row Unit W/Cutting Rippled Disc C/Iron Compactor Wheel	1
*8	2517011768-1	Small Left Lateral Row Unit W/Rippled Coulter Disc W/Concave Depth Wheel W/Regulator Support	1
*9	2517012375-4	Small Right Row Unit W/Cutting Rippled Disc W/Iron Wheel Compactor	1
*9	2517012376-2	Small Right Row Unit W/Cutting Rippled Disc W/Iron Wheel Compactor	1
*9	2517012377-0	Small Right Row Unit W/Cutting Rippled Disc W/Iron Wheel Compactor	1
*9	2517012378-9	Small Right Row Unit W/Cutting Rippled Disc W/Iron Wheel Compactor	1
*10	2517012460-2	Small Right Lateral Row W/Rippled Cutting Disc W/ Heavy Iron Compaction Wheel Spacing 250mm	1
*10	2517012380-0	Large Right Lateral Row Unit W/Cutting Rippled Disc C/Iron Compactor Wheel	1
11	6020317552-6	Hexagonal Head Bolt M12 X 1,75 X 80Mm Cl8.8 Rt	2
12	6020010404-0	Pressure Washer 5/16" Media Industry	4
13	6020010395-8	Pressure Washer M12 Media	2
14	6020310820-9	Hexagonal Nut M12 X 1,75 Ma Cl8 Ch.19Mm H.10,00Mm	2
15	5530015339-8	Complete Support Of Spring Rod	1
16	5136020501-4	Plate Of 2" X 5/8" X 115Mm	1
17	6020030715-4	Articulation Bushing Of Spring Rod	2
18	6020312020-9	Hexagonal Head Bolt 5/16" X 3/4" 18F Unc1A Gr5 Rt	4
19	5530015346-0	Support W/Bushing Of Spring Rod	1

• Row W/Cutting Disc and Compaction Wheel type "V" - Spacing 170mm



\* Item 3 - See page 59

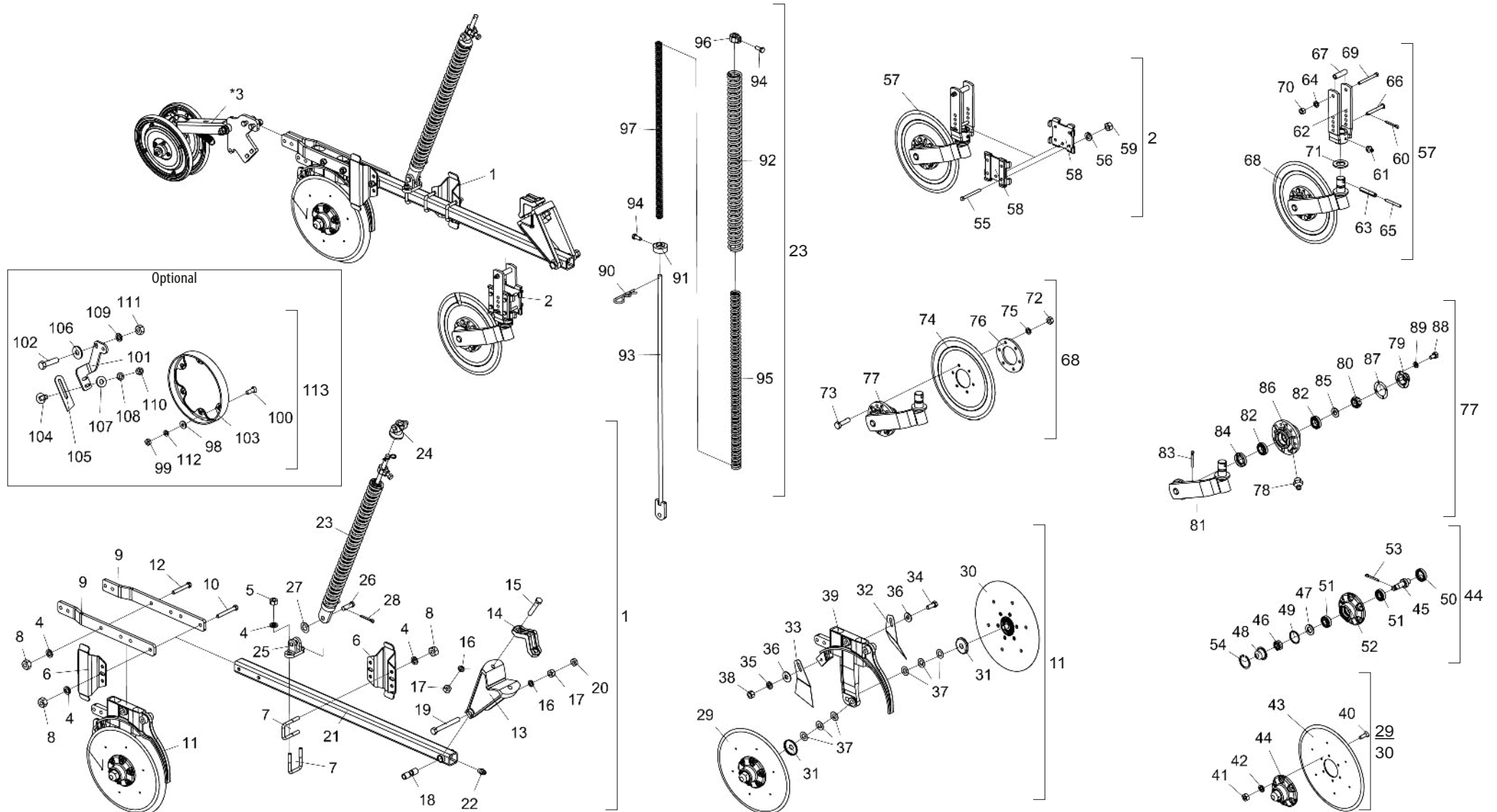
## • Table Row W/Cutting Disc and Compactation Wheel type "V" - Spacing 170mm

Item	Code	Product description	All	Small Right	Large Right	Small Left	Large Left	Item	Code	Product description	All	Small Right	Large Right	Small Left	Large Left
1	2517011538-7	Small Right Row Unit(Spde-A)		1				33	5352030057-7	Internal Right Scraper Of Disc	1				
1	2517011539-5	Large Right Row Unit(Spde-A)			1			34	6020310054-2	Hexagonal Head Bolt 3/8" X 1" 16F Unc1A Gr2 Rt	1				
1	2517011540-9	Small Left Row Unit(Spde-A)				1		35	6020010406-7	Pressure Washer 3/8" Media Industry	1				
1	2517011541-7	Large Left Row Unit(Spde-A)					1	36	5024010075-1	Smooth Washer Ø10,3 X Ø25 X 2,00Mm	2				
2	5124010337-4	Complete Cart Of Rippled Coulter Disc Blade	1					37	5024010024-7	Smooth Washer Ø20 X Ø38 X 1,21Mm	6				
*3	5124010381-1	Complete Cart Of Compactation Wheel Type "V" (Spd)	1					38	6020310746-6	Hexagonal Nut 3/8" 16F Unc Gr5 Ch.9/16" Height 8,50Mm	1				
4	5124010372-2	Complete Cart Of Double Disc Fertilizer/Seed (Excentric) Special		1	1			39	5530011577-1	Right Support Of Fertilizer And Seed Large Double Disc (Descentrado)		1	1		
4	5124010373-0	Left Cart Of Fertilizer/Seed Double Disc (Excentric) Special				1	1	39	5530011576-3	Left Support Of Large Fertilizer/Seed Large Double Disc				1	1
5	6020310754-7	Hexagonal Nut 1/2" 12F W Gr5 Ch.7/8" Height 12,00Mm		4	8	4	8	40	6020317573-9	Allen Bolt M8 X 1,25 X 25mm C12.9 RT		12			
6	6010601347-3	Fixation Shank Of Coulter Disc	1					41	6020310454-8	Hexagonal Nut M8 X 1,25 Ma C18 Ch.13Mm H.6,50Mm		12			
7	6010601280-9	Upper Lock Of Triple Spring	1					42	6020010004-5	Pressure Washer M8 Media		12			
8	6020311065-3	Hexagonal Head Bolt 1/2" X 4" 12F W Gr5 Rp		2		2		43	2857398003-6	Coulter Plain Disc Blade 15 X 4,00 Hc Rd 80Mm + 6H Rd 8,7Mm R=57,5Mm + 6H Rd 6,9Mm		2			
8	5068010081-8	Clamp Of 84 X 64 X R.1/2" W			2		2	44	5204010149-7	Left Disc Hub		1			
9	6020010410-5	Pressure Washer 1/2" Media Industry		6	10	6	10	44	5204010150-0	Right Disc Hub		1			
10	5024010059-0	Smooth Washer Ø16,5 X Ø29 X 1,21Mm		1				45	6020010513-6	Plain Washer Ø20 X Ø35 X 3Mm		2			
11	5526010018-0	Separator Of Rows	2					46	6020050641-6	Hub Cap		2			
12	5080010539-8	Row Articulation Bushing	1					47	6020010095-9	Gascket Ring 047X 052X 2Mm		2			
13	6020310760-1	Hexagonal Nut 5/8" 11F Unc Gr5 Ch.1.1/16" Height 15,00Mm		3				48	6020350268-3	Retainer Ø36,00 X Ø52,00 X 11,00Mm		2			
14	5136015261-1	Fixation Plate Of Double Disc	2					49	6020350087-7	Bearing 30204		4			
15	5566010260-3	Small Rod Of Spring Of 700Mm Complete		1		1		50	5204010148-9	Hub Of Ø136 X 54Mm		2			
15	5566010261-1	Small Rod Of Spring Of 800Mm Complete			1		1	51	6020050101-5	Cotterpin 1/8" X 1"		2			
16	6020310593-5	Pin Ø5/8" X 46mm	1					52	6020010289-7	Retaining Ring I-55		2			
17	6020050101-5	Cotterpin 1/8" X 1"	1					53	5232010076-3	Shaft Ø36 X 94Mm With Left Thread		1			
18	6020311082-3	Hexagonal Head Bolt 5/8" X 5.1/2" 11F Unc1A Gr5 Rp	1					53	5232010077-1	Shaft Ø36 X 94Mm With Right Thread		1			
19	6020010412-1	Pressure Washer 5/8" Media Industry		3				54	6020310797-0	Nut 3/4" 16F Unf Gr5 Ch.1.1/16" Height 13,00Mm		2			
20	6020311079-3	Hexagonal Head Bolt 5/8" X 3.1/2" 11F Unc1A Gr5 Rp		2				55	6020311038-6	Hexagonal Head Bolt 3/8" X 4" 16F Unc1A Gr2 Rp		4			
21	5252040056-7	Cart Hitch	1					56	6020010406-7	Pressure Washer 3/8" Media Industry		4			
22	6020310756-3	Hexagonal Nut 1/2" 12F W Gr5 Ch.3/4" Height 11,00Mm		2				57	5124010099-5	Rippled Coulter Disc Row		1			
23	6020311061-0	Hexagonal Head Bolt 1/2" X 3.1/2" 12F W Gr5 Rp		2	4	2	4	58	5324050014-7	Complete Adjustment Support Guide		2			
24	6010601172-1	Lower Support Of Rod (Small)	1					59	6020310746-6	Hexagonal Nut 3/8" 16F Unc Gr5 Ch.9/16" Height 8,50Mm		4			
25	6020130100-1	Grease Fitting 1/4"	1					60	6020050101-5	Cotterpin 1/8" X 1"		1			
26	6020310738-5	Hexagonal Nut 5/8" 11F Unc Gr5 Ch.1.1/16" Height 11,00Mm		1				61	6020130108-7	Grease Fitting 1/8"		1			
27	5572015584-1	Square Beam Of50 X 1200Mm Complete	1					62	5530010406-0	Depth Regulator Support		1			
28	5068010081-8	Clamp Of 84 X 64 X R.1/2" W	1					63	6020310510-2	Heavy Elastic Pin Ø10 X 55Mm		1			
29	5204010159-4	Complete Right Hub For Limiter Ring(Coulter Disc Blade 15" X 4,00Mm)	1					64	6020010406-7	Pressure Washer 3/8" Media Industry		1			
30	5204010160-8	Complete Left Hub For Limiter Ring (Plain Disc 15" X 4,00Mm)	1					65	6020310472-6	Heavy Elastic Pin Ø6 X 55Mm		1			
31	5096040002-7	Hub Internal Cap	2					66	5432010181-9	French Head Pin Ø11,20 X 90Mm		1			
32	5352030056-9	Internal Left Scraper Of Disc	1					67	5080020787-5	Bushing Of Ø14 X Ø19 X 65Mm		1			

## • Table Row W/Cutting Disc and Compaction Wheel type "V" - Spacing 170mm

Item	Code	Product description	All					Item	Code	Product description	All				
				Small Right	Large Right	Small Left	Large Left					Small Right	Large Right	Small Left	Large Left
68	5124010100-2	Cart W/Rippled Coulter Disc Blade	1					101	5530014453-4	Left Support Of Scraper		1	1		
69	6020311038-6	Hexagonal Head Bolt 3/8" X 4" 16F Unc1A Gr2 Rp	1					101	5530014452-6	Right Support Of Scraper				1	1
70	6020310746-6	Hexagonal Nut 3/8" 16F Unc Gr5 Ch.9/16" Height 8,50Mm	1					102	6020310049-6	Hexagonal Head Bolt 1/2" X 2" 12FW Gr5 Rp	2				
71	5024010107-3	Smooth Washer Ø36 X Ø61 X 5,00Mm	1					103	6010600786-4	Deph Limiter Ring (40Mm)	1				
72	6020310822-5	Hexagonal Nut M10 X 1,50 Ma Cl8 Ch.17Mm H.8,00Mm	6					104	6020311160-9	French Head Bolt 3/8" X 1" 16F Unc1A Gr2 Rt	2				
73	6020310980-9	Hexagonal Head Bolt M10 X 1,50 X 40Mm Cl8.8 Rt	6					105	5352010048-9	Limiter Of Limiter Rim	1				
74	3255397388-0	Rippled Plain Disc Blade 14 X 4,00 Hc Rd 80Mm + 6H Rd 10,3Mm D=115Mm Doble Bevel	1					106	5024010068-9	Smooth Washer Ø13,3 X Ø35,5 X 3,00Mm	2				
75	6020010394-0	Pressure Washer M10 Media	6					107	5024010075-1	Smooth Washer Ø10,3 X Ø25 X 2,00Mm	2				
76	5284010001-4	Flange Of Disc Hub	1					108	6020010406-7	Pressure Washer 3/8" Media Industry	2				
77	5530010405-2	Support Of Disc W/Hub	1					109	6020010410-5	Pressure Washer 1/2" Media Industry	2				
78	5530160187-4	Support W/Shaft Of Disc	1					110	6020310746-6	Hexagonal Nut 3/8" 16F Unc Gr5 Ch.9/16" Height 8,50Mm	2				
79	6020350077-0	Bearing 44610/49	2					111	6020310754-7	Hexagonal Nut 1/2" 12FW Gr5 Ch.7/8" Height 12,00Mm	2				
80	6020050101-5	Cotterpin 1/8" X 1"	1					112	6020010402-4	Pressure Washer 1/4" Media Industry	6				
81	6020350244-6	Retainer Ø35,00 X Ø58,00 X 10,00Mm	1					113	5288010055-6	Left Limiter Ring With Scraper (Deph 40Mm)		1	1		
82	5024010258-4	Smooth Washer Ø20 X Ø38,5 X 3,00Mm	1					113	5288010054-8	Right Limiter Ring With Scaper (Deph 40Mm)				1	1
83	5204010090-3	Disc Hub	1												
84	6020190098-3	Gascket Ø50,3 X Ø73,5 X 1/64"	1												
85	6020311000-9	Hexagonal Head Bolt 1/4" X 1/2" 20F Unc1A Gr5 Rt	4												
86	6020010402-4	Pressure Washer 1/4" Media Industry	4												
87	6020130108-7	Grease Fitting 1/8"	1												
88	6020050640-8	Hub Cap	1												
89	6020310797-0	Nut 3/4" 16F Unf Gr5 Ch.1.1/16" Height 13,00Mm	1												
90	6020390294-0	Lock Nma - Type "R" Ø3,5 X 67Mm(Special)	1												
91	5530016364-4	Lower Support Of Triple Spring	1												
92	6020250664-2	Helical Spring Ø43 X Ø59 X 700Mm External		1		1									
92	6020250667-7	Helical Spring Ø43 X Ø59 X 800Mm External			1		1								
93	5566040144-9	Rod Of Spring De 935,5Mm		1		1									
93	5566010205-0	Rod Of Spring De 1085,5Mm			1		1								
94	6020310349-5	Hexagonal Head Bolt M12 X 1,75 X 30Mm Cl8.8 R Wth Point	2												
95	6020250663-4	Helical Spring Ø27,3 X Ø40 X 700Mm Intermediary		1		1									
95	6020250666-9	Helical Spring Ø27,3 X Ø40 X 800Mm Intermediary			1		1								
96	5080011663-2	Fixation Support Of Spring Rod	1												
97	6020250662-6	Helical Spring Ø17,5 X Ø25,5 X 700Mm Internal		1		1									
97	6020250665-0	Helical Spring Ø17,5 X Ø25,5 X 800Mm Internal			1		1								
Optional															
98	5024010161-8	Smooth Washer Ø7 X Ø18 X 2,00Mm	6												
99	6020310742-3	Hexagonal Nut 1/4" 20F Unc Gr5 Ch.7/16" Height 5,50Mm	6												
100	6020310147-6	Bolt 1/4" X 3/4" 20F Unc1A Gr5 Rt	6												

## • Lateral Row W/Cutting Disc and Compaction Wheel type "V" - Spacing 170mm



\* Item 3 - See page 59

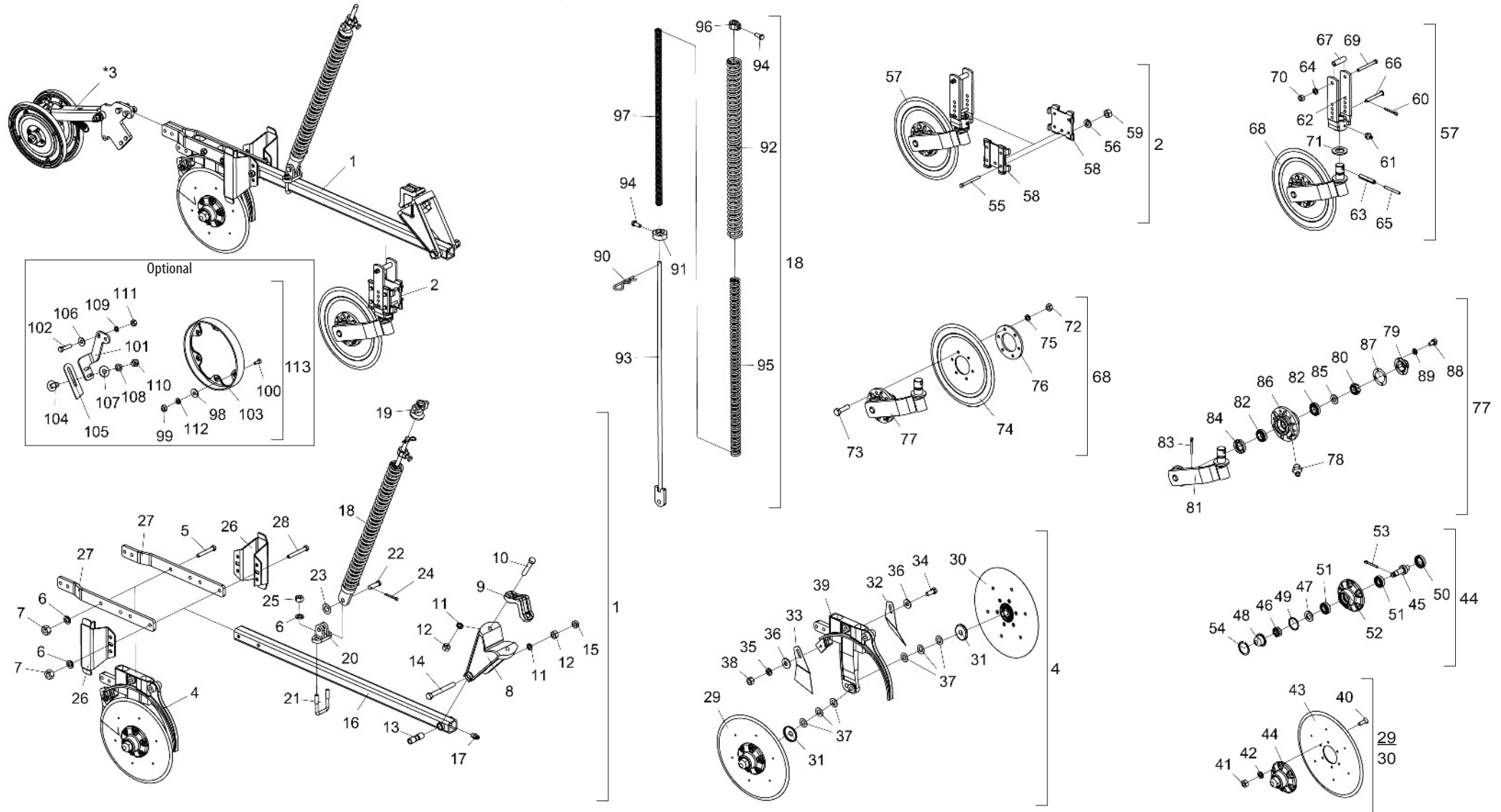
## • Table Lateral Row W/Cutting Disc and Compactation Wheel type "V" - Spacing 170mm

Item	Code	Product description				Item	Code	Product description			
			All	Large Right	Small Left				All	Large Right	Small Left
1	2517011763-0	Large Right Lateral Row Unit (Spde-A)		1		31	5096040002-7	Hub Internal Cap	2		
1	2517011764-9	Small Left Lateral Row Unit(Spde-A)			1	32	5352030056-9	Internal Left Scraper Of Disc	1		
2	5124010337-4	Complete Cart Of Rippled Coulter Disc Blade	1			33	5352030057-7	Internal Right Scraper Of Disc	1		
*3	5124010381-1	Complete Cart Of Compactation Wheel Type "V" (Spd)	1			34	6020310054-2	Hexagonal Head Bolt 3/8" X 1" 16F Unc1A Gr2 Rt	1		
4	6020010410-5	Pressure Washer 1/2" Media Industry		14	10	35	6020010406-7	Pressure Washer 3/8" Media Industry	1		
5	6020310756-3	Hexagonal Nut 1/2" 12F W Gr5 Ch.3/4" Height 11,00Mm	2			36	5024010075-1	Smooth Washer Ø10,3 X Ø25 X 2,00Mm	2		
6	5526010018-0	Separator Of Rowas	2			37	5024010024-7	Smooth Washer Ø20 X Ø38 X 1,21Mm	6		
7	5068010081-8	Clamp Of 84 X 64 X R.1/2" W	3			38	6020310746-6	Hexagonal Nut 3/8" 16F Unc Gr5 Ch.9/16" Height 8,50Mm	1		
8	6020310754-7	Hexagonal Nut 1/2" 12F W Gr5 Ch.7/8" Height 12,00Mm		12	8	39	5530011577-1	Right Support Of Fertilizer And Seed Large Double Disc (Descitrado)		1	
9	5136015261-1	Fixation Plate Of Double Disc	2			39	5530011576-3	Left Support Of Large Fertilizer/Seed Large Double Disc			1
10	5068010081-8	Clamp Of 84 X 64 X R.1/2" W		2		40	6020317573-9	Allen Bolt M8 X 1,25 X 25mm C12.9 RT	12		
10	6020311065-3	Hexagonal Head Bolt 1/2" X 4" 12FW Gr5 Rp			2	41	6020310454-8	Hexagonal Nut M8 X 1,25 Ma C18 Ch.13Mm H.6,50Mm	12		
11	5124010372-2	Complete Cart Of Double Disc Fertilizer/Seed (Excentric) Special		1		42	6020010004-5	Pressure Washer M8 Media	12		
11	5124010373-0	Left Cart Of Fertilizer/Seed Double Disc (Excentric) Special			1	43	2857398003-6	Coulter Plain Disc Blade 15 X 4,00 Hc Rd 80Mm + 6H Rd 8,7Mm R=57,5Mm + 6H Rd 6,9Mm	2		
12	6020311061-0	Hexagonal Head Bolt 1/2" X 3.1/2" 12FW Gr5 Rp		4	2	44	5204010149-7	Left Disc Hub	1		
13	5252040056-7	Cart Hitch	1			44	5204010150-0	Right Disc Hub	1		
14	6010601347-3	Fixation Shank Of Coulter Disc	1			45	5232010076-3	Shaft Ø36 X 94Mm With Left Thread	1		
15	6020311079-3	Hexagonal Head Bolt 5/8" X 3.1/2" 11F Unc1A Gr5 Rp	2			45	5232010077-1	Shaft Ø36 X 94Mm With Right Thread	1		
16	6020010412-1	Pressure Washer 5/8" Media Industry	3			46	6020310797-0	Nut 3/4" 16F Unf Gr5 Ch.1.1/16" Height 13,00Mm	2		
17	6020310760-1	Hexagonal Nut 5/8" 11F Unc Gr5 Ch.1.1/16" Height 15,00Mm	3			47	6020010513-6	Plain Washer Ø20 X Ø35 X 3Mm	2		
18	5080010539-8	Row Articulation Bushing	1			48	6020050641-6	Hub Cap	2		
19	6020311082-3	Hexagonal Head Bolt 5/8" X 5.1/2" 11F Unc1A Gr5 Rp	1			49	6020010095-9	Gascket Ring 047X 052X 2Mm	2		
20	6020310738-5	Hexagonal Nut 5/8" 11F Unc Gr5 Ch.1.1/16" Height 11,00Mm	1			50	6020350268-3	Retainer Ø36,00 X Ø52,00 X 11,00Mm	2		
21	5572015584-1	Square Beam Of50 X 1200Mm Complete	1			51	6020350087-7	Bearing 30204	4		
22	6020130100-1	Grease Fitting 1/4"	1			52	5204010148-9	Hub Of Ø136 X 54Mm	2		
23	5566010261-1	Smallll Rod Of Spring Of 800Mm Complete		1		53	6020050101-5	Cotterpin 1/8" X 1"	2		
23	5566010260-3	Small Rod Of Spring Of 700Mm Complete			1	54	6020010289-7	Retaining Ring I-55	2		
24	6010601280-9	Upper Lock Of Triple Spring	1			55	6020311038-6	Hexagonal Head Bolt 3/8" X 4" 16F Unc1A Gr2 Rp	4		
25	6010601172-1	Lower Support Of Rod (Small)	1			56	6020010406-7	Pressure Washer 3/8" Media Industry	4		
26	6020310593-5	Pin Ø5/8" X 46mm	1			57	5124010099-5	Rippled Coulter Disc Row	1		
27	5024010059-0	Smooth Washer Ø16,5 X Ø29 X 1,21Mm	1			58	5324050014-7	Complete Adjustment Support Guide	2		
28	6020050101-5	Cotterpin 1/8" X 1"	1			59	6020310746-6	Hexagonal Nut 3/8" 16F Unc Gr5 Ch.9/16" Height 8,50Mm	4		
29	5204010159-4	Complete Right Hub For Limiter Ring(Coulter Disc Blade 15" X 4,00Mm)	1			60	6020050101-5	Cotterpin 1/8" X 1"	1		
30	5204010160-8	Complete Left Hub For Limiter Ring (Plain Disc 15" X 4,00Mm)	1			61	6020130108-7	Grease Fitting 1/8"	1		

## • Table Lateral Row W/Cutting Disc and Compactation Wheel type "V" - Spacing 170mm

Item	Code	Product description				Item	Code	Product description			
			All	Large Right	Small Left				All	Large Right	Small Left
62	5530010406-0	Depth Regulator Support	1			94	6020310349-5	Hexagonal Head Bolt M12 X 1,75 X 30Mm Cl8.8 R Wth Point	2		
63	6020310510-2	Heavy Elastic Pin Ø10 X 55Mm	1			95	6020250666-9	Helical Spring Ø27,3 X Ø40 X 800Mm Intermediary		1	
64	6020010406-7	Pressure Washer 3/8" Media Industry	1			95	6020250663-4	Helical Spring Ø27,3 X Ø40 X 700Mm Intermediary			1
65	6020310472-6	Heavy Elastic Pin Ø6 X 55Mm	1			96	5080011663-2	Fixation Support Of Spring Rod	1		
66	5432010181-9	French Head Pin Ø11,20 X 90Mm	1			97	6020250665-0	Helical Spring Ø17,5 X Ø25,5 X 800Mm Internal		1	
67	5080020787-5	Bushing Of Ø14 X Ø19 X 65Mm	1			97	6020250662-6	Helical Spring Ø17,5 X Ø25,5 X 700Mm Internal			1
68	5124010100-2	Cart W/Rippled Coulter Disc Blade	1			Optional					
69	6020311038-6	Hexagonal Head Bolt 3/8" X 4" 16F Unc1A Gr2 Rp	1			98	5024010161-8	Smooth Washer Ø7 X Ø18 X 2,00Mm	6		
70	6020310746-6	Hexagonal Nut 3/8" 16F Unc Gr5 Ch.9/16" Height 8,50Mm	1			99	6020310742-3	Hexagonal Nut 1/4" 20F Unc Gr5 Ch.7/16" Height 5,50Mm	6		
71	5024010107-3	Smooth Washer Ø36 X Ø61 X 5,00Mm	1			100	6020310147-6	Bolt 1/4" X 3/4" 20F Unc1A Gr5 Rt	6		
72	6020310822-5	Hexagonal Nut M10 X 1,50 Ma Cl8 Ch.17Mm H.8,00Mm	6			101	5530014453-4	Left Support Of Scraper		1	
73	6020310980-9	Hexagonal Head Bolt M10 X 1,50 X 40Mm Cl8.8 Rt	6			101	5530014452-6	Right Support Of Scraper			1
74	3255397388-0	Rippled Plain Disc Blade 14 X 4,00 Hc Rd 80Mm + 6H Rd 10,3Mm D=115Mm Doble Bevel	1			102	6020310049-6	Hexagonal Head Bolt 1/2" X 2" 12F W Gr5 Rp	2		
75	6020010394-0	Pressure Washer M10 Media	6			103	6010600786-4	Deph Limiter Ring (40Mm)	1		
76	5284010001-4	Flange Of Disc Hub	1			104	6020311160-9	French Head Bolt 3/8" X 1" 16F Unc1A Gr2 Rt	2		
77	5530010405-2	Support Of Disc W/Hub	1			105	5352010048-9	Limiter Of Limiter Rim	1		
78	6020130108-7	Grease Fitting 1/8"	1			106	5024010068-9	Smooth Washer Ø13,3 X Ø35,5 X 3,00Mm	2		
79	6020050640-8	Hub Cap	1			107	5024010075-1	Smooth Washer Ø10,3 X Ø25 X 2,00Mm	2		
80	6020310797-0	Nut 3/4" 16F Unf Gr5 Ch.1.1/16" Height 13,00Mm	1			108	6020010406-7	Pressure Washer 3/8" Media Industry	2		
81	5530160187-4	Support W/Shaft Of Disc	1			109	6020010410-5	Pressure Washer 1/2" Media Industry	2		
82	6020350077-0	Bearing 44610/49	2			110	6020310746-6	Hexagonal Nut 3/8" 16F Unc Gr5 Ch.9/16" Height 8,50Mm	2		
83	6020050101-5	Cotterpin 1/8" X 1"	1			111	6020310754-7	Hexagonal Nut 1/2" 12FW Gr5 Ch.7/8" Height 12,00Mm	2		
84	6020350244-6	Retainer Ø35,00 X Ø58,00 X 10,00Mm	1			112	6020010402-4	Pressure Washer 1/4" Media Industry	6		
85	5024010258-4	Smooth Washer Ø20 X Ø38,5 X 3,00Mm	1			113	5288010055-6	Left Limiter Ring With Scraper (Deph 40Mm)		1	
86	5204010090-3	Disc Hub	1			113	5288010054-8	Right Limiter Ring With Scaper (Deph 40Mm)			1
87	6020190098-3	Gascket Ø50,3 X Ø73,5 X 1/64"	1								
88	6020311000-9	Hexagonal Head Bolt 1/4" X 1/2" 20F Unc1A Gr5 Rt	4								
89	6020010402-4	Pressure Washer 1/4" Media Industry	4								
90	6020390294-0	Lock Nma - Type "R" Ø3,5 X 67Mm(Special)	1								
91	5530016364-4	Lower Support Of Triple Spring	1								
92	6020250667-7	Helical Spring Ø43 X Ø59 X 800Mm External		1							
92	6020250664-2	Helical Spring Ø43 X Ø59 X 700Mm External			1						
93	5566010205-0	Rod Of Spring De 1085,5Mm			1						
93	5566040144-9	Rod Of Spring De 935,5Mm			1						

• Row W/Cutting Disc and Compaction Wheel type "V" - Spacing 250mm



\* Item 3 - See page 59

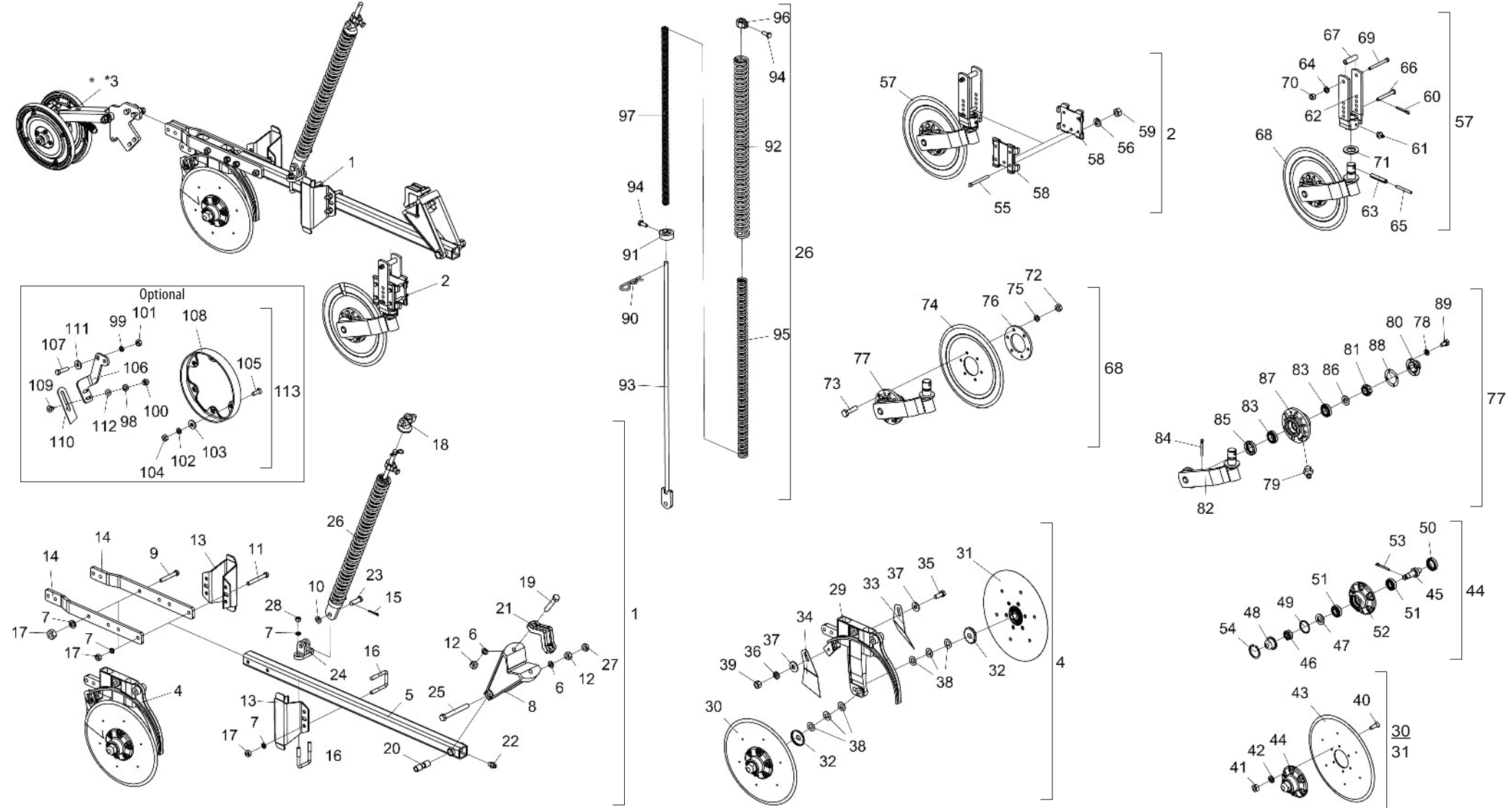
## • Table Row W/Cutting Disc and Compaction Wheel type "V" - Spacing 250mm

Item	Code	Product description	All	Small Right	Large Right	Small Left	Large Left	Item	Code	Product description	All	Small Right	Large Right	Small Left	Large Left
1	2517012381-9	Small Right Row Unit(Spde-A)		1				31	5096040002-7	Hub Internal Cap	2				
1	2517012382-7	Small Right Row Unit(Spde-A)			1			32	5352030056-9	Internal Left Scraper Of Disc	1				
1	2517012383-5	Small Right Row Unit(Spde-A)				1		33	5352030057-7	Internal Right Scraper Of Disc	1				
1	2517012384-3	Small Right Row Unit(Spde-A)					1	34	6020310054-2	Hexagonal Head Bolt 3/8" X 1" 16F Unc1A Gr2 Rt	1				
2	5124010337-4	Complete Cart Of Rippled Coulter Disc Blade	1					35	6020010406-7	Pressure Washer 3/8" Media Industry	1				
*3	5124010381-1	Complete Cart Of Compaction Wheel Type "V" (Spd)	1					36	5024010075-1	Smooth Washer Ø10,3 X Ø25 X 2,00Mm	2				
4	5124010372-2	Complete Cart Of Double Disc Fertilizer/Seed (Excentric) Special		1	1			37	5024010024-7	Smooth Washer Ø20 X Ø38 X 1,21Mm	6				
4	5124010373-0	Left Cart Of Fertilizer/Seed Double Disc (Excentric) Special				1	1	38	6020310746-6	Hexagonal Nut 3/8" 16F Unc Gr5 Ch.9/16" Height 8,50Mm	1				
5	6020311061-0	Hexagonal Head Bolt 1/2" X 3.1/2" 12F W Gr5 Rp		2	4	2	4	39	5530011577-1	Right Support Of Fertilizer And Seed Large Double Disc (Descentrado)		1	1		
6	6020010410-5	Pressure Washer 1/2" Media Industry		6	10	6	10	39	5530011576-3	Left Support Of Large Fertilizer/Seed Large Double Disc				1	1
7	6020310754-7	Hexagonal Nut 1/2" 12F W Gr5 Ch.7/8" Height 12,00Mm		4	8	4	8	40	6020317573-9	Allen Bolt M8 X 1,25 X 25mm C112.9 RT	12				
8	5252040056-7	Cart Hitch	1					41	6020310454-8	Hexagonal Nut M8 X 1,25 Ma C18 Ch.13Mm H.6,50Mm	12				
9	6010601347-3	Fixation Shank Of Coulter Disc	1					42	6020010004-5	Pressure Washer M8 Media	12				
10	6020311079-3	Hexagonal Head Bolt 5/8" X 3.1/2" 11F Unc1A Gr5 Rp	2					43	2857398003-6	Coulter Plain Disc Blade 15 X 4,00 Hc Rd 80Mm + 6H Rd 8,7Mm R=57,5Mm + 6H Rd 6,9Mm	2				
11	6020010412-1	Pressure Washer 5/8" Media Industry	3					44	5204010149-7	Left Disc Hub	1				
12	6020310760-1	Hexagonal Nut 5/8" 11F Unc Gr5 Ch.1.1/16" Height 15,00Mm	3					44	5204010150-0	Right Disc Hub	1				
13	5080010539-8	Row Articulation Bushing	1					45	5232010076-3	Shaft Ø36 X 94Mm With Left Thread	1				
14	6020311082-3	Hexagonal Head Bolt 5/8" X 5.1/2" 11F Unc1A Gr5 Rp	1					45	5232010077-1	Shaft Ø36 X 94Mm With Right Thread	1				
15	6020310738-5	Hexagonal Nut 5/8" 11F Unc Gr5 Ch.1.1/16" Height 11,00Mm	1					46	6020310797-0	Nut 3/4" 16F Unf Gr5 Ch.1.1/16" Height 13,00Mm	2				
16	5572015584-1	Square Beam Of50 X 1200Mm Complete	1					47	6020010513-6	Plain Washer Ø20 X Ø35 X 3Mm	2				
17	6020130100-1	Grease Fitting 1/4"	1					48	6020050641-6	Hub Cap	2				
18	5566010260-3	Small Rod Of Spring Of 700Mm Complete		1		1		49	6020010095-9	Gascket Ring 047X 052X 2Mm	2				
18	5566010261-1	Small Rod Of Spring Of 800Mm Complete			1		1	50	6020350268-3	Retainer Ø36,00 X Ø52,00 X 11,00Mm	2				
19	6010601280-9	Upper Lock Of Triple Spring	1					51	6020350087-7	Bearing 30204	4				
20	6010601172-1	Lower Support Of Rod (Small)	1					52	5204010148-9	Hub Of Ø136 X 54Mm	2				
21	5068010081-8	Clamp Of 84 X 64 X R.1/2" W	1					53	6020050101-5	Cotterpin 1/8" X 1"	2				
22	6020310593-5	Pin Ø5/8" X 46mm	1					54	6020010289-7	Retaining Ring I-55	2				
23	5024010059-0	Smooth Washer Ø16,5 X Ø29 X 1,21Mm	1					55	6020311038-6	Hexagonal Head Bolt 3/8" X 4" 16F Unc1A Gr2 Rp	4				
24	6020050101-5	Cotterpin 1/8" X 1"	1					56	6020010406-7	Pressure Washer 3/8" Media Industry	4				
25	6020310756-3	Hexagonal Nut 1/2" 12F W Gr5 Ch.3/4" Height 11,00Mm	2					57	5124010099-5	Rippled Coulter Disc Row	1				
26	5526010035-0	Separator Of Rowas For Espacamento De 250Mm	2					58	5324050014-7	Complete Adjustment Support Guide	2				
27	5136015261-1	Fixation Plate Of Double Disc	2					59	6020310746-6	Hexagonal Nut 3/8" 16F Unc Gr5 Ch.9/16" Height 8,50Mm	4				
28	6020311065-3	Hexagonal Head Bolt 1/2" X 4" 12F W Gr5 Rp		2		2		60	6020050101-5	Cotterpin 1/8" X 1"	1				
28	5068010081-8	Clamp Of 84 X 64 X R.1/2" W			2		2	61	6020130108-7	Grease Fitting 1/8"	1				
29	5204010159-4	Complete Right Hub For Limiter Ring(Coulter Disc Blade 15" X 4,00Mm)	1					62	5530010406-0	Depth Regulator Support	1				
30	5204010160-8	Complete Left Hub For Limiter Ring (Plain Disc 15" X 4,00Mm)	1					63	6020310510-2	Heavy Elastic Pin Ø10 X 55Mm	1				

## • Table Row W/Cutting Disc and Compactation Wheel type "V" - Spacing 250mm

Item	Code	Product description	All	Small Right	Large Right	Small Left	Large Left	Item	Code	Product description	All	Small Right	Large Right	Small Left	Large Left
64	6020010406-7	Pressure Washer 3/8" Media Industry	1					97	6020250662-6	Helical Spring Ø17,5 X Ø25,5 X 700Mm Internal		1		1	
65	6020310472-6	Heavy Elastic Pin Ø6 X 55Mm	1					97	6020250665-0	Helical Spring Ø17,5 X Ø25,5 X 800Mm Internal			1		1
66	5432010181-9	French Head Pin Ø11,20 X 90Mm	1							Optional					
67	5080020787-5	Bushing Of Ø14 X Ø19 X 65Mm	1					98	5024010161-8	Smooth Washer Ø7 X Ø18 X 2,00Mm	6				
68	5124010100-2	Cart W/Rippled Coulter Disc Blade	1					99	6020310742-3	Hexagonal Nut 1/4" 20F Unc Gr5 Ch.7/16" Height 5,50Mm	6				
69	6020311038-6	Hexagonal Head Bolt 3/8" X 4" 16F Unc1A Gr2 Rp	1					100	6020310147-6	Bolt 1/4" X 3/4" 20F Unc1A Gr5 Rt	6				
70	6020310746-6	Hexagonal Nut 3/8" 16F Unc Gr5 Ch.9/16" Height 8,50Mm	1					101	5530014453-4	Left Support Of Scraper		1	1		
71	5024010107-3	Smooth Washer Ø36 X Ø61 X 5,00Mm	1					101	5530014452-6	Right Support Of Scraper				1	1
72	6020310822-5	Hexagonal Nut M10 X 1,50 Ma Cl8 Ch.17Mm H.8,00Mm	6					102	6020310049-6	Hexagonal Head Bolt 1/2" X 2" 12F W Gr5 Rp	2				
73	6020310980-9	Hexagonal Head Bolt M10 X 1,50 X 40Mm Cl8.8 Rt	6					103	6010600786-4	Deph Limiter Ring (40Mm)	1				
74	3255397388-0	Rippled Plain Disc Blade 14 X 4,00 Hc Rd 80Mm + 6H Rd 10,3Mm D=115Mm Doble Bevel	1					104	6020311160-9	French Head Bolt 3/8" X 1" 16F Unc1A Gr2 Rt	2				
75	6020010394-0	Pressure Washer M10 Media	6					105	5352010048-9	Limiter Of Limiter Rim	1				
76	5284010001-4	Flange Of Disc Hub	1					106	5024010068-9	Smooth Washer Ø13,3 X Ø35,5 X 3,00Mm	2				
77	5530010405-2	Support Of Disc W/Hub	1					107	5024010075-1	Smooth Washer Ø10,3 X Ø25 X 2,00Mm	2				
78	6020130108-7	Grease Fitting 1/8"	1					108	6020010406-7	Pressure Washer 3/8" Media Industry	2				
79	6020050640-8	Hub Cap	1					109	6020010410-5	Pressure Washer 1/2" Media Industry	2				
80	6020310797-0	Nut 3/4" 16F Unf Gr5 Ch.1.1/16" Height 13,00Mm	1					110	6020310746-6	Hexagonal Nut 3/8" 16F Unc Gr5 Ch.9/16" Height 8,50Mm	2				
81	5530160187-4	Support W/Shaft Of Disc	1					111	6020310754-7	Hexagonal Nut 1/2" 12F W Gr5 Ch.7/8" Height 12,00Mm	2				
82	6020350077-0	Bearing 44610/49	2					112	6020010402-4	Pressure Washer 1/4" Media Industry	6				
83	6020050101-5	Cotterpin 1/8" X 1"	1					113	5288010055-6	Left Limiter Ring With Scraper (Deph 40Mm)		1	1		
84	6020350244-6	Retainer Ø35,00 X Ø58,00 X 10,00Mm	1					113	5288010054-8	Right Limiter Ring With Scaper (Deph 40Mm)				1	1
85	5024010258-4	Smooth Washer Ø20 X Ø38,5 X 3,00Mm	1												
86	5204010090-3	Disc Hub	1												
87	6020190098-3	Gascket Ø50,3 X Ø73,5 X 1/64"	1												
88	6020311000-9	Hexagonal Head Bolt 1/4" X 1/2" 20F Unc1A Gr5 Rt	4												
89	6020010402-4	Pressure Washer 1/4" Media Industry	4												
90	6020390294-0	Lock Nma - Type "R" Ø3,5 X 67Mm(Special)	1												
91	5530016364-4	Lower Support Of Triple Spring	1												
92	6020250664-2	Helical Spring Ø43 X Ø59 X 700Mm External		1		1									
92	6020250667-7	Helical Spring Ø43 X Ø59 X 800Mm External			1		1								
93	5566040144-9	Rod Of Spring De 935,5Mm		1		1									
93	5566010205-0	Rod Of Spring De 1085,5Mm			1		1								
94	6020310349-5	Hexagonal Head Bolt M12 X 1,75 X 30Mm Cl8.8 R Wth Point	2												
95	6020250663-4	Helical Spring Ø27,3 X Ø40 X 700Mm Intermediary		1		1									
95	6020250666-9	Helical Spring Ø27,3 X Ø40 X 800Mm Intermediary			1		1								
96	5080011663-2	Fixation Support Of Spring Rod	1												

• Lateral Row W/Cutting Disc and Compaction Wheel type "V" - Spacing 250mm



\* Item 3 - See page 59

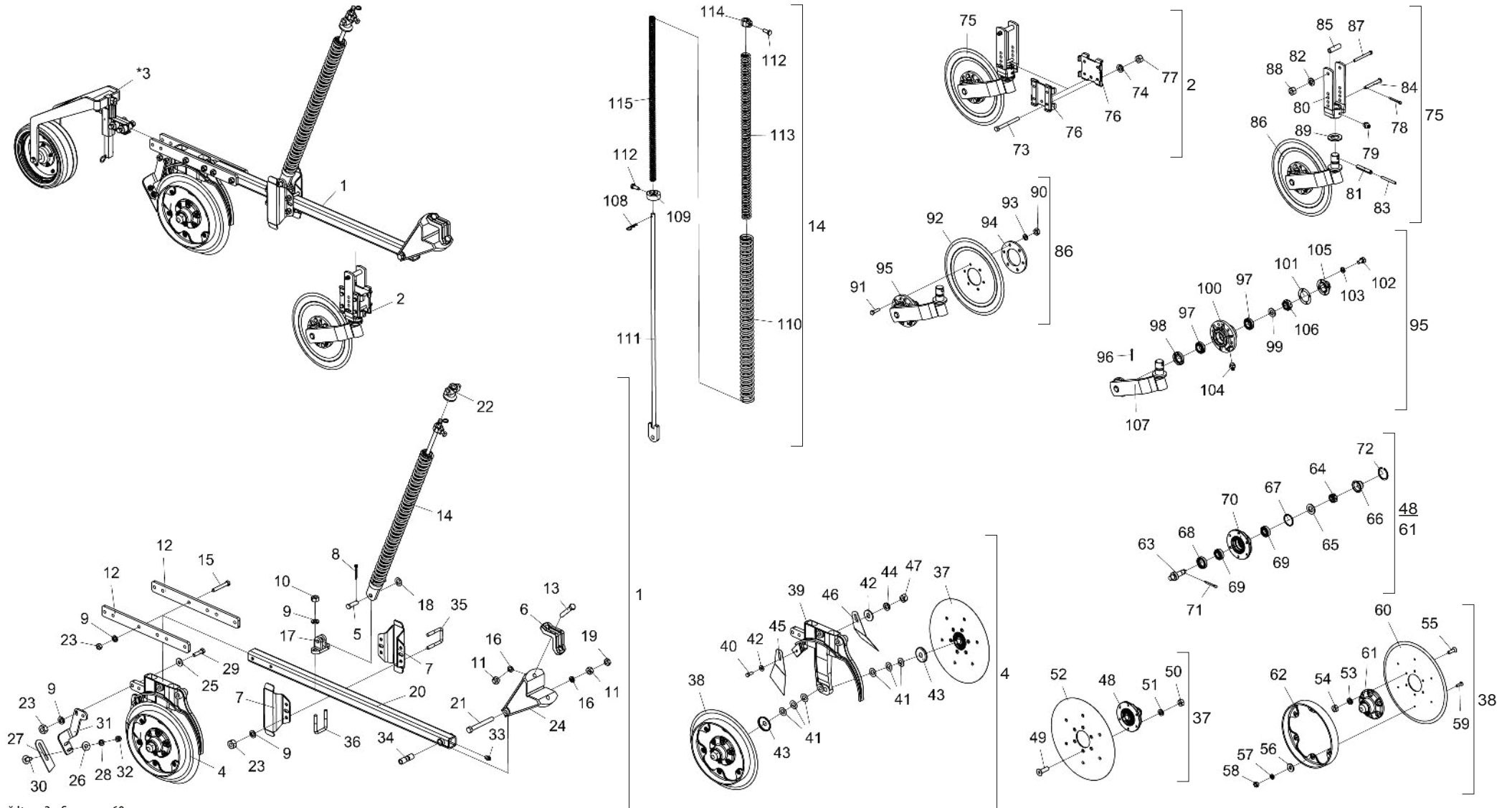
## • Table Lateral Row W/Cutting Disc and Compactation Wheel type "V" - Spacing 250mm

Item	Code	Product description				Item	Code	Product description			
			All	Small Right	Small Left				All	Small Right	Small Left
1	2517012458-0	Small Right Lateral Row for Spacing 250mm		1		33	5352030056-9	Internal Left Scraper Of Disc	1		
1	2517012386-0	Large Right Lateral Row Unit (Spde-A)			1	34	5352030057-7	Internal Right Scraper Of Disc	1		
2	5124010337-4	Complete Cart Of Rippled Coulter Disc Blade	1			35	6020310054-2	Hexagonal Head Bolt 3/8" X 1" 16F Unc1A Gr2 Rt	1		
*3	5124010381-1	Complete Cart Of Compactation Wheel Type "V" (Spd)	1			36	6020010406-7	Pressure Washer 3/8" Media Industry	1		
4	5124010372-2	Complete Cart Of Double Disc Fertilizer/Seed (Excentric) Special		1		37	5024010075-1	Smooth Washer Ø10,3 X Ø25 X 2,00Mm	2		
4	5124010373-0	Left Cart Of Fertilizer/Seed Double Disc (Excentric) Special			1	38	5024010024-7	Smooth Washer Ø20 X Ø38 X 1,21Mm	6		
5	5572015584-1	Square Beam Of50 X 1200Mm Complete	1			39	6020310746-6	Hexagonal Nut 3/8" 16F Unc Gr5 Ch.9/16" Height 8,50Mm	1		
6	6020010412-1	Pressure Washer 5/8" Media Industry	3			40	6020317573-9	Allen Bolt M8 X 1,25 X 25mm Cl12.9 RT	12		
7	6020010410-5	Pressure Washer 1/2" Media Industry	10			41	6020310454-8	Hexagonal Nut M8 X 1,25 Ma Cl8 Ch.13Mm H.6,50Mm	12		
8	5252040056-7	Cart Hitch	1			42	6020010004-5	Pressure Washer M8 Media	12		
9	6020311061-0	Hexagonal Head Bolt 1/2" X 3.1/2" 12FW Gr5 Rp	2			43	2857398003-6	Coulter Plain Disc Blade 15 X 4,00 Hc Rd 80Mm + 6H Rd 8,7Mm R=57,5Mm + 6H Rd 6,9Mm	2		
10	5024010059-0	Smooth Washer Ø16,5 X Ø29 X 1,21Mm	1			44	5204010149-7	Left Disc Hub	1		
11	6020311065-3	Hexagonal Head Bolt 1/2" X 4" 12F W Gr5 Rp	2			44	5204010150-0	Right Disc Hub	1		
12	6020310760-1	Hexagonal Nut 5/8" 11F Unc Gr5 Ch.1.1/16" Height 15,00Mm	3			45	5232010076-3	Shaft Ø36 X 94Mm With Left Thread	1		
13	5526010018-0	Separator Of Rowas			1	45	5232010077-1	Shaft Ø36 X 94Mm With Right Thread	1		
13	5526010035-0	Separator Of Rowas For Espacamento De 250Mm		2	1	46	6020310797-0	Nut 3/4" 16F Unf Gr5 Ch.1.1/16" Height 13,00Mm	2		
14	5136015261-1	Fixation Plate Of Double Disc	2			47	6020010513-6	Plain Washer Ø20 X Ø35 X 3Mm	2		
15	6020050101-5	Cotterpin 1/8" X 1"	1			48	6020050641-6	Hub Cap	2		
16	5068010081-8	Clamp Of 84 X 64 X R.1/2" W	3			49	6020010095-9	Gascket Ring 047X 052X 2Mm	2		
17	6020310754-7	Hexagonal Nut 1/2" 12F W Gr5 Ch.7/8" Height 12,00Mm	8			50	6020350268-3	Retainer Ø36,00 X Ø52,00 X 11,00Mm	2		
18	6010601280-9	Upper Lock Of Triple Spring	1			51	6020350087-7	Bearing 30204	4		
19	6020311079-3	Hexagonal Head Bolt 5/8" X 3.1/2" 11F Unc1A Gr5 Rp	2			52	5204010148-9	Hub Of Ø136 X 54Mm	2		
20	5080010539-8	Row Articulation Bushing	1			53	6020050101-5	Cotterpin 1/8" X 1"	2		
21	6010601347-3	Fixation Shank Of Coulter Disc	1			54	6020010289-7	Retaining Ring I-55	2		
22	6020130100-1	Grease Fitting 1/4"	1			55	6020311038-6	Hexagonal Head Bolt 3/8" X 4" 16F Unc1A Gr2 Rp	4		
23	6020310593-5	Pin Ø5/8" X 46mm	1			56	6020010406-7	Pressure Washer 3/8" Media Industry	4		
24	6010601172-1	Lower Support Of Rod (Small)	1			57	5124010099-5	Rippled Coulter Disc Row	1		
25	6020311082-3	Hexagonal Head Bolt 5/8" X 5.1/2" 11F Unc1A Gr5 Rp	1			58	5324050014-7	Complete Adjustment Support Guide	2		
26	5566010260-3	Small Rod Of Spring Of 700Mm Complete	1			59	6020310746-6	Hexagonal Nut 3/8" 16F Unc Gr5 Ch.9/16" Height 8,50Mm	4		
27	6020310738-5	Hexagonal Nut 5/8" 11F Unc Gr5 Ch.1.1/16" Height 11,00Mm	1			60	6020050101-5	Cotterpin 1/8" X 1"	1		
28	6020310756-3	Hexagonal Nut 1/2" 12F W Gr5 Ch.3/4" Height 11,00Mm	2			61	6020130108-7	Grease Fitting 1/8"	1		
29	5530011577-1	Right Support Of Fertilizer And Seed Large Double Disc (Descentrado)		1		62	5530010406-0	Depth Regulator Support	1		
29	5530011576-3	Left Support Of Large Fertilizer/Seed Large Double Disc			1	63	6020310510-2	Heavy Elastic Pin Ø10 X 55Mm	1		
30	5204010159-4	Complete Right Hub For Limiter Ring(Coulter Disc Blade 15" X 4,00Mm)	1			64	6020010406-7	Pressure Washer 3/8" Media Industry	1		
31	5204010160-8	Complete Left Hub For Limiter Ring (Plain Disc 15" X 4,00Mm)	1			65	6020310472-6	Heavy Elastic Pin Ø6 X 55Mm	1		
32	5096040002-7	Hub Internal Cap	2			66	5432010181-9	French Head Pin Ø11,20 X 90Mm	1		

## • Table Lateral Row W/Cutting Disc and Compactation Wheel type "V" - Spacing 250mm

Item	Code	Product description				Item	Code	Product description			
			All	Small Right	Small Left				All	Small Right	Small Left
67	5080020787-5	Bushing Of Ø14 X Ø19 X 65Mm	1			103	5024010161-8	Smooth Washer Ø7 X Ø18 X 2,00Mm	6		
68	5124010100-2	Cart W/Rippled Coulter Disc Blade	1			104	6020310742-3	Hexagonal Nut 1/4" 20F Unc Gr5 Ch.7/16" Height 5,50Mm	6		
69	6020311038-6	Hexagonal Head Bolt 3/8" X 4" 16F Unc1A Gr2 Rp	1			105	6020310147-6	Bolt 1/4" X 3/4" 20F Unc1A Gr5 Rt	6		
70	6020310746-6	Hexagonal Nut 3/8" 16F Unc Gr5 Ch.9/16" Height 8,50Mm	1			106	5530014453-4	Left Support Of Scraper		1	
71	5024010107-3	Smooth Washer Ø36 X Ø61 X 5,00Mm	1			106	5530014452-6	Right Support Of Scraper			1
72	6020310822-5	Hexagonal Nut M10 X 1,50 Ma Cl8 Ch.17Mm H.8,00Mm	6			107	6020310049-6	Hexagonal Head Bolt 1/2" X 2" 12FW Gr5 Rp	2		
73	6020310980-9	Hexagonal Head Bolt M10 X 1,50 X 40Mm Cl8.8 Rt	6			108	6010600786-4	Deph Limiter Ring (40Mm)	1		
74	3255397388-0	Rippled Plain Disc Blade 14 X 4,00 Hc Rd 80Mm + 6H Rd 10,3Mm D=115Mm Doble Bevel	1			109	6020311160-9	French Head Bolt 3/8" X 1" 16F Unc1A Gr2 Rt	2		
75	6020010394-0	Pressure Washer M10 Media	6			110	5352010048-9	Limiter Of Limiter Rim	1		
76	5284010001-4	Flange Of Disc Hub	1			111	5024010068-9	Smooth Washer Ø13,3 X Ø35,5 X 3,00Mm	2		
77	5530010405-2	Support Of Disc W/Hub	1			112	5024010075-1	Smooth Washer Ø10,3 X Ø25 X 2,00Mm	2		
78	6020010402-4	Pressure Washer 1/4" Media Industry	4			113	5288010055-6	Left Limiter Ring With Scraper (Deph 40Mm)		1	
79	6020130108-7	Grease Fitting 1/8"	1			113	5288010054-8	Right Limiter Ring With Scaper (Deph 40Mm)			1
80	6020050640-8	Hub Cap	1								
81	6020310797-0	Nut 3/4" 16F Unf Gr5 Ch.1.1/16" Height 13,00Mm	1								
82	5530160187-4	Support W/Shaft Of Disc	1								
83	6020350077-0	Bearing 44610/49	2								
84	6020050101-5	Cotterpin 1/8" X 1"	1								
85	6020350244-6	Retainer Ø35,00 X Ø58,00 X 10,00Mm	1								
86	5024010258-4	Smooth Washer Ø20 X Ø38,5 X 3,00Mm	1								
87	5204010090-3	Disc Hub	1								
88	6020190098-3	Gascket Ø50,3 X Ø73,5 X 1/64"	1								
89	6020311000-9	Hexagonal Head Bolt 1/4" X 1/2" 20F Unc1A Gr5 Rt	4								
90	6020390294-0	Lock Nma - Type "R" Ø3,5 X 67Mm(Special)	1								
91	5530016364-4	Lower Support Of Triple Spring	1								
92	6020250664-2	Helical Spring Ø43 X Ø59 X 700Mm External	1								
93	5566040144-9	Rod Of Spring De 935,5Mm	1								
94	6020310349-5	Hexagonal Head Bolt M12 X 1,75 X 30Mm Cl8.8 R Wth Point	2								
95	6020250663-4	Helical Spring Ø27,3 X Ø40 X 700Mm Intermediary	1								
96	5080011663-2	Fixation Support Of Spring Rod	1								
97	6020250662-6	Helical Spring Ø17,5 X Ø25,5 X 700Mm Internal	1								
Optional											
98	6020010406-7	Pressure Washer 3/8" Media Industry	2								
99	6020010410-5	Pressure Washer 1/2" Media Industry	2								
100	6020310746-6	Hexagonal Nut 3/8" 16F Unc Gr5 Ch.9/16" Height 8,50Mm	2								
101	6020310754-7	Hexagonal Nut 1/2" 12F W Gr5 Ch.7/8" Height 12,00Mm	2								
102	6020010402-4	Pressure Washer 1/4" Media Industry	6								

• Row W/Cutting Disc and Concave Depth Wheel W/Regulator Support(Frieze 40mm) - Spacing 170mm



\* Item 3 - See page 60

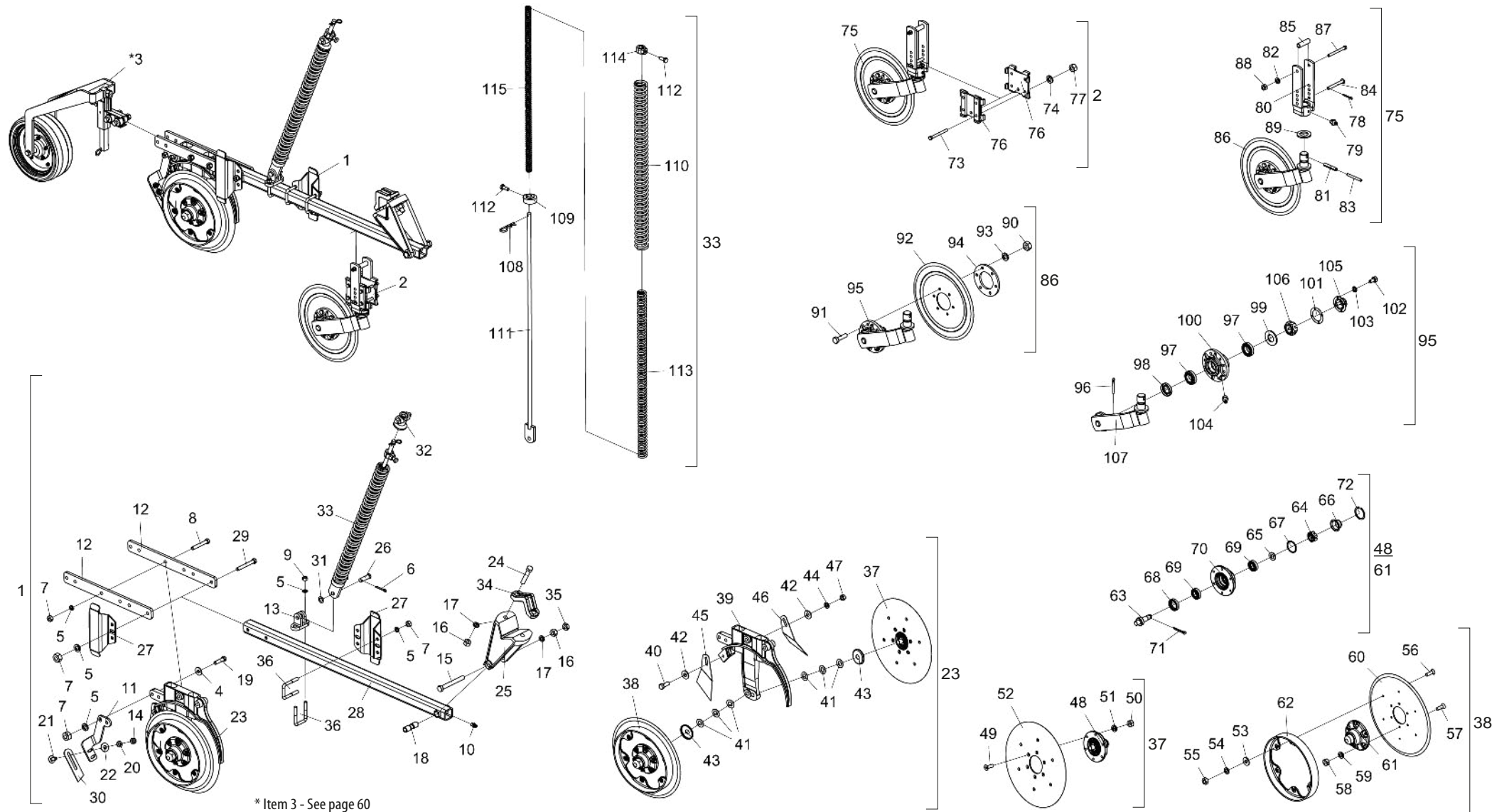
## • Table Row W/Cutting Disc and Concave Depth Wheel W/Regulator Support(Frieze 40mm) - Spacing 170mm

Item	Code	Product description	All					Item	Code	Product description	All				
				Small Right	Large Right	Small Left	Large Left					Small Right	Large Right	Small Left	Large Left
1	2517012326-6	Small Right Row Unit W/Frieze De 40Mm(Spde-A)		1				31	5530014453-4	Left Support Of Scraper		1	1		
1	2517012327-4	Large Right Row Unit W/Frieze De 40Mm(Spde-A)			1			32	6020310746-6	Hexagonal Nut 3/8" 16F Unc Gr5 Ch.9/16" Height 8,50Mm	2				
1	2517012328-2	Small Left Row Unit W/Frieze De 40Mm(Spde-A)				1		33	6020130100-1	Grease Fitting 1/4"	1				
1	2517012329-0	Large Left Row Unit W/Frieze De 40Mm(Spde-A)					1	34	5080010539-8	Row Articulation Bushing	1				
2	5124010337-4	Complete Cart Of Rippled Coulter Disc Blade	1					35	5068010081-8	Clamp Of 84 X 64 X R.1/2" W	1				
*3	5124010488-5	Large Row Of Concave Depth Wheel With Regulation Support	1					36	6020311065-3	Hexagonal Head Bolt 1/2" X 4" 12F W Gr5 Rp		2		2	
4	5124010822-8	Fertilizer/Seed Double Disc Right Cart W/Frieze 40Mm(Decentered) Special		1	1			36	5068010081-8	Clamp Of 84 X 64 X R.1/2" W			2		2
4	5124010823-6	Fertilizer/Seed Double Disc Left Cart W/Frieze 40Mm(Decentered) Special				1	1	37	5204010159-4	Complete Right Hub For Limiter Ring(Coulter Disc Blade 15" X 4,00Mm)	1		1		
5	6020310593-5	Pin Ø5/8" X 46mm	1					37	5204010160-8	Complete Left Hub For Limiter Ring (Plain Disc 15" X 4,00Mm)			1		1
6	6010601347-3	Fixation Shank Of Coulter Disc	1					38	5204010508-5	Complete Left Hub W/Limiter Frieze 40Mm(Plan Disc 15" X 4,00Mm)	1		1		
7	5526010018-0	Separator Of Rowas	2					38	5204010507-7	Complete Right Hub W/Limiter Frieze 40Mm(Plan Disc 15" X 4,00Mm)			1		1
8	6020050101-5	Cotterpin 1/8" X 1"	1					39	5530011577-1	Right Support Of Fertilizer And Seed Large Double Disc (Descetrado)	1		1		
9	6020010410-5	Pressure Washer 1/2" Media Industry		8	12	8	12	39	5530011576-3	Left Support Of Large Fertilizer/Seed Large Double Disc			1		1
10	6020310756-3	Hexagonal Nut 1/2" 12F W Gr5 Ch.3/4" Height 11,00Mm	2					40	6020310054-2	Hexagonal Head Bolt 3/8" X 1" 16F Unc1A Gr2 Rt	1				
11	6020310760-1	Hexagonal Nut 5/8" 11F Unc Gr5 Ch.1.1/16" Height 15,00Mm	3					41	5024010024-7	Smooth Washer Ø20 X Ø38 X 1,21Mm	6				
12	5136016691-4	Plate Of50 X 12 X 518Mm	2					42	5024010075-1	Smooth Washer Ø10,3 X Ø25 X 2,00Mm	2				
13	6020311079-3	Hexagonal Head Bolt 5/8" X 3.1/2" 11F Unc1A Gr5 Rp	2					43	5096040002-7	Hub Internal Cap	2				
14	5566010260-3	Small Rod Of Spring Of 700Mm Complete		1		1		44	6020010406-7	Pressure Washer 3/8" Media Industry	1				
14	5566010261-1	Small Rod Of Spring Of 800Mm Complete			1		1	45	5352030057-7	Internal Right Scraper Of Disc	1				
15	6020311061-0	Hexagonal Head Bolt 1/2" X 3.1/2" 12F W Gr5 Rp	2	4	2	4		46	5352030056-9	Internal Left Scraper Of Disc	1				
16	6020010412-1	Pressure Washer 5/8" Media Industry	3					47	6020310746-6	Hexagonal Nut 3/8" 16F Unc Gr5 Ch.9/16" Height 8,50Mm	1				
17	6010601172-1	Lower Support Of Rod (Small)	1					48	5204010150-0	Right Disc Hub		1		1	
18	5024010059-0	Smooth Washer Ø16,5 X Ø29 X 1,21Mm	1					48	5204010149-7	Left Disc Hub			1		1
19	6020310738-5	Hexagonal Nut 5/8" 11F Unc Gr5 Ch.1.1/16" Height 11,00Mm	1					49	6020317573-9	Allen Bolt M8 X 1,25 X 25mm C12.9 RT	6				
20	5572015584-1	Square Beam Of50 X 1200Mm Complete	1					50	6020310454-8	Hexagonal Nut M8 X 1,25 Ma C18 Ch.13Mm H.6,50Mm	6				
21	6020311082-3	Hexagonal Head Bolt 5/8" X 5.1/2" 11F Unc1A Gr5 Rp	1					51	6020010004-5	Pressure Washer M8 Media	6				
22	6010601280-9	Upper Lock Of Triple Spring	1					52	2857398003-6	Coulter Plain Disc Blade 15 X 4,00 Hc Rd 80Mm + 6H Rd 8,7Mm R=57,5Mm + 6H Rd 6,9Mm	1				
23	6020310754-7	Hexagonal Nut 1/2" 12F W Gr5 Ch.7/8" Height 12,00Mm		6	10	6	10	53	6020010004-5	Pressure Washer M8 Media	6				
24	5252040056-7	Cart Hitch	1					54	6020310454-8	Hexagonal Nut M8 X 1,25 Ma C18 Ch.13Mm H.6,50Mm	6				
25	5024010068-9	Smooth Washer Ø13,3 X Ø35,5 X 3,00Mm	2					55	6020317573-9	Allen Bolt M8 X 1,25 X 25mm C12.9 RT	6				
26	5024010075-1	Smooth Washer Ø10,3 X Ø25 X 2,00Mm	2					56	5024010161-8	Smooth Washer Ø7 X Ø18 X 2,00Mm	6				
27	5352010048-9	Limiter Of Limiter Rim	1					57	6020010122-0	Pressure Washer M6 Media	6				
28	6020010406-7	Pressure Washer 3/8" Media Industry	2					58	6020311257-5	Hexagonal Nut M6 X 1,00 Ma C18 Ch.10Mm H.5,00Mm	6				
29	6020310049-6	Hexagonal Head Bolt 1/2" X 2" 12F W Gr5 Rp	2					59	6020317441-4	Bolt M6 X 1,00 X 20Mm C18.8 Rt	6				
30	6020311160-9	French Head Bolt 3/8" X 1" 16F Unc1A Gr2 Rt	2					60	2857398003-6	Coulter Plain Disc Blade 15 X 4,00 Hc Rd 80Mm + 6H Rd 8,7Mm R=57,5Mm + 6H Rd 6,9Mm	1				
31	5530014452-6	Right Support Of Scraper				1	1	61	5204010149-7	Left Disc Hub		1		1	

## • Table Row W/Cutting Disc and Concave Depth Wheel W/Regulator Support(Frieze 40mm) - Spacing 170mm

Item	Code	Product description	All					Item	Code	Product description	All				
				Small Right	Large Right	Small Left	Large Left					Small Right	Large Right	Small Left	Large Left
61	5204010150-0	Right Disc Hub			1		1	96	6020050101-5	Cotterpin 1/8" X 1"	1				
62	6010600786-4	Deph Limiter Ring (40Mm)	1					97	6020350077-0	Bearing 44610/49	2				
63	5232010076-3	Shaft Ø36 X 94Mm With Left Thread	1					98	6020350244-6	Retainer Ø35,00 X Ø58,00 X 10,00Mm	1				
63	5232010077-1	Shaft Ø36 X 94Mm With Right Thread	1					99	5024010258-4	Smooth Washer Ø20 X Ø38,5 X 3,00Mm	1				
64	6020310797-0	Nut 3/4" 16F Unf Gr5 Ch.1.1/16" Height 13,00Mm	2					100	5204010090-3	Disc Hub	1				
65	6020010513-6	Plain Washer Ø20 X Ø35 X 3Mm	2					101	6020190098-3	Gascket Ø50,3 X Ø73,5 X 1/64"	1				
66	6020050641-6	Hub Cap	2					102	6020311000-9	Hexagonal Head Bolt 1/4" X 1/2" 20F Unc1A Gr5 Rt	4				
67	6020010095-9	Gascket Ring 047X 052X 2Mm	2					103	6020010402-4	Pressure Washer 1/4" Media Industry	4				
68	6020350268-3	Retainer Ø36,00 X Ø52,00 X 11,00Mm	2					104	6020130108-7	Grease Fitting 1/8"	1				
69	6020350087-7	Bearing 30204	4					105	6020050640-8	Hub Cap	1				
70	5204010148-9	Hub Of Ø136 X 54Mm	2					106	6020310797-0	Nut 3/4" 16F Unf Gr5 Ch.1.1/16" Height 13,00Mm	1				
71	6020050101-5	Cotterpin 1/8" X 1"	2					107	5530160187-4	Support W/Shaft Of Disc	1				
72	6020010289-7	Retaining Ring I-55	2					108	6020390294-0	Lock Nma - Type "R" Ø3,5 X 67Mm(Special)	1				
73	6020311038-6	Hexagonal Head Bolt 3/8" X 4" 16F Unc1A Gr2 Rp	4					109	5530016364-4	Lower Support Of Triple Spring	1				
74	6020010406-7	Pressure Washer 3/8" Media Industry	4					110	6020250664-2	Helical Spring Ø43 X Ø59 X 700Mm External		1		1	
75	5124010099-5	Rippled Coulter Disc Row	1					110	6020250667-7	Helical Spring Ø43 X Ø59 X 800Mm External			1		1
76	5324050014-7	Complete Adjustment Support Guide	2					111	5566040144-9	Rod Of Spring De 935,5Mm		1		1	
77	6020310746-6	Hexagonal Nut 3/8" 16F Unc Gr5 Ch.9/16" Height 8,50Mm	4					111	5566010205-0	Rod Of Spring De 1085,5Mm			1		1
78	6020050101-5	Cotterpin 1/8" X 1"	1					112	6020310349-5	Hexagonal Head Bolt M12 X 1,75 X 30Mm Cl8.8 R Wth Point	2				
79	6020130108-7	Grease Fitting 1/8"	1					113	6020250663-4	Helical Spring Ø27,3 X Ø40 X 700Mm Intermediary		1		1	
80	5530010406-0	Depth Regulator Support	1					113	6020250666-9	Helical Spring Ø27,3 X Ø40 X 800Mm Intermediary			1		1
81	6020310510-2	Heavy Elastic Pin Ø10 X 55Mm	1					114	5080011663-2	Fixation Support Of Spring Rod	1				
82	6020010406-7	Pressure Washer 3/8" Media Industry	1					115	6020250662-6	Helical Spring Ø17,5 X Ø25,5 X 700Mm Internal		1		1	
83	6020310472-6	Heavy Elastic Pin Ø6 X 55Mm	1					115	6020250665-0	Helical Spring Ø17,5 X Ø25,5 X 800Mm Internal			1		1
84	5432010181-9	French Head Pin Ø11,20 X 90Mm	1												
85	5080020787-5	Bushing Of Ø14 X Ø19 X 65Mm	1												
86	5124010100-2	Cart W/Rippled Coulter Disc Blade	1												
87	6020311038-6	Hexagonal Head Bolt 3/8" X 4" 16F Unc1A Gr2 Rp	1												
88	6020310746-6	Hexagonal Nut 3/8" 16F Unc Gr5 Ch.9/16" Height 8,50Mm	1												
89	5024010107-3	Smooth Washer Ø36 X Ø61 X 5,00Mm	1												
90	6020310822-5	Hexagonal Nut M10 X 1,50 Ma Cl8 Ch.17Mm H.8,00Mm	6												
91	6020310980-9	Hexagonal Head Bolt M10 X 1,50 X 40Mm Cl8.8 Rt	6												
92	3255397388-0	Rippled Plain Disc Blade 14 X 4,00 Hc Rd 80Mm + 6H Rd 10,3Mm D=115Mm Doble Bevel	1												
93	6020010394-0	Pressure Washer M10 Media	6												
94	5284010001-4	Flange Of Disc Hub	1												
95	5530010405-2	Support Of Disc W/Hub	1												

## • Lateral Row W/Cutting Disc and Concave Depth Wheel W/Regulator Support(Frieze 40mm) - Spacing 170mm



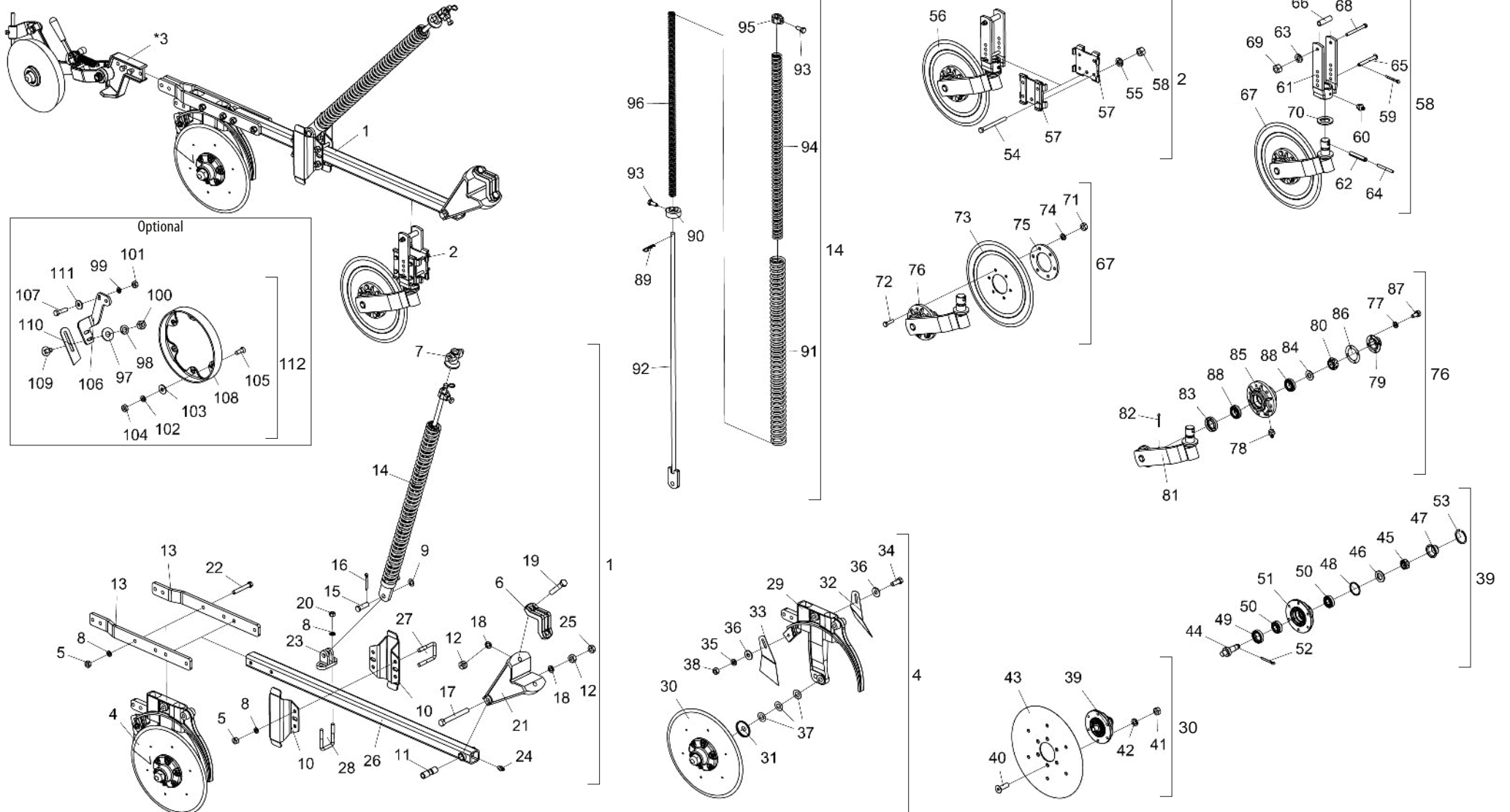
## • Table Lateral Row W/Cutting Disc and Concave Depth Wheel W/Regulator Support(Frieze 40mm) - Spacing 170mm

Item	Code	Product description	All	Large Right	Small Left	Item	Code	Product description	All	Large Right	Small Left
1	2517012330-4	Large Right Lateral Row Unit W/Frieze De 40Mm(Spde-A)		1		33	5566010261-1	Small Rod Of Spring Of 800Mm Complete		1	
1	2517012331-2	Small Left Lateral Row Unit W/Frieze De 40Mm(Spde-A)			1	33	5566010260-3	Small Rod Of Spring Of 700Mm Complete			1
2	5124010337-4	Complete Cart Of Rippled Coulter Disc Blade	1			34	6010601347-3	Fixation Shank Of Coulter Disc	1		
*3	5124010488-5	Large Row Of Concave Depth Wheel With Regulation Support	1			35	6020310738-5	Hexagonal Nut 5/8" 11F Unc Gr5 Ch.1.1/16" Height 11,00Mm	1		
4	5024010068-9	Smooth Washer Ø13,3 X Ø35,5 X 3,00Mm	2			36	5068010081-8	Clamp Of 84 X 64 X R.1/2" W	2		
5	6020010410-5	Pressure Washer 1/2" Media Industry		16	12	37	5204010160-8	Complete Left Hub For Limiter Ring (Plain Disc 15" X 4,00Mm)		1	
6	6020050101-5	Cotterpin 1/8" X 1"	1			37	5204010159-4	Complete Right Hub For Limiter Ring(Coulter Disc Blade 15" X 4,00Mm)			1
7	6020310754-7	Hexagonal Nut 1/2" 12F W Gr5 Ch.7/8" Height 12,00Mm		14	10	38	5204010507-7	Complete Right Hub W/Limiter Frieze 40Mm(Plan Disc 15" X 4,00Mm)		1	
8	6020311061-0	Hexagonal Head Bolt 1/2" X 3.1/2" 12F W Gr5 Rp		4	2	38	5204010508-5	Complete Left Hub W/Limiter Frieze 40Mm(Plan Disc 15" X 4,00Mm)			1
9	6020310756-3	Hexagonal Nut 1/2" 12F W Gr5 Ch.3/4" Height 11,00Mm	2			39	5530011576-3	Left Support Of Large Fertilizer/Seed Large Double Disc		1	
10	6020130100-1	Grease Fitting 1/4"	1			39	5530011577-1	Right Support Of Fertilizer And Seed Large Double Disc (Descentrado)			1
11	5530014453-4	Left Support Of Scraper		1		40	6020310054-2	Hexagonal Head Bolt 3/8" X 1" 16F Unc1A Gr2 Rt	1		
11	5530014452-6	Right Support Of Scraper			1	41	5024010024-7	Smooth Washer Ø20 X Ø38 X 1,21Mm	6		
12	5136016691-4	Plate Of50 X 12 X 518Mm	2			42	5024010075-1	Smooth Washer Ø10,3 X Ø25 X 2,00Mm	2		
13	6010601172-1	Lower Support Of Rod (Small)	1			43	5096040002-7	Hub Internal Cap	2		
14	6020310746-6	Hexagonal Nut 3/8" 16F Unc Gr5 Ch.9/16" Height 8,50Mm	2			44	6020010406-7	Pressure Washer 3/8" Media Industry	1		
15	6020311082-3	Hexagonal Head Bolt 5/8" X 5.1/2" 11F Unc1A Gr5 Rp	1			45	5352030057-7	Internal Right Scraper Of Disc	1		
16	6020310760-1	Hexagonal Nut 5/8" 11F Unc Gr5 Ch.1.1/16" Height 15,00Mm	3			46	5352030056-9	Internal Left Scraper Of Disc	1		
17	6020010412-1	Pressure Washer 5/8" Media Industry	3			47	6020310746-6	Hexagonal Nut 3/8" 16F Unc Gr5 Ch.9/16" Height 8,50Mm	1		
18	5080010539-8	Row Articulation Bushing	1			48	5204010149-7	Left Disc Hub		1	
19	6020310049-6	Hexagonal Head Bolt 1/2" X 2" 12F W Gr5 Rp	2			48	5204010150-0	Right Disc Hub			1
20	6020010406-7	Pressure Washer 3/8" Media Industry	2			49	6020317573-9	Allen Bolt M8 X 1,25 X 25mm Cl12.9 RT	6		
21	6020311160-9	French Head Bolt 3/8" X 1" 16F Unc1A Gr2 Rt	2			50	6020310454-8	Hexagonal Nut M8 X 1,25 Ma Cl8 Ch.13Mm H.6,50Mm	6		
22	5024010075-1	Smooth Washer Ø10,3 X Ø25 X 2,00Mm	2			51	6020010004-5	Pressure Washer M8 Media	6		
23	5124010822-8	Fertilizer/Seed Double Disc Right Cart W/Frieze 40Mm(Decentered) Special		1		52	2857398003-6	Coulter Plain Disc Blade 15 X 4,00 Hc Rd 80Mm + 6H Rd 8,7Mm R=57,5Mm + 6H Rd 6,9Mm	1		
23	5124010823-6	Fertilizer/Seed Double Disc Left Cart W/Frieze 40Mm(Decentered) Special			1	53	5024010161-8	Smooth Washer Ø7 X Ø18 X 2,00Mm	6		
24	6020311079-3	Hexagonal Head Bolt 5/8" X 3.1/2" 11F Unc1A Gr5 Rp	2			54	6020010122-0	Pressure Washer M6 Media	6		
25	5252040056-7	Cart Hitch	1			55	6020311257-5	Hexagonal Nut M6 X 1,00 Ma Cl8 Ch.10Mm H.5,00Mm	6		
26	6020310593-5	Pin Ø5/8" X 46mm	1			56	6020317441-4	Bolt M6 X 1,00 X 20Mm Cl8.8 Rt	6		
27	5526010018-0	Separator Of Rows	2			57	6020317573-9	Allen Bolt M8 X 1,25 X 25mm Cl12.9 RT	6		
28	5572015584-1	Square Beam Of50 X 1200Mm Complete	1			58	6020310454-8	Hexagonal Nut M8 X 1,25 Ma Cl8 Ch.13Mm H.6,50Mm	6		
29	5068010081-8	Clamp Of 84 X 64 X R.1/2" W		2		59	6020010004-5	Pressure Washer M8 Media	6		
29	6020311065-3	Hexagonal Head Bolt 1/2" X 4" 12F W Gr5 Rp			2	60	2857398003-6	Coulter Plain Disc Blade 15 X 4,00 Hc Rd 80Mm + 6H Rd 8,7Mm R=57,5Mm + 6H Rd 6,9Mm	1		
30	5352010048-9	Limiter Of Limiter Rim	1			61	5204010150-0	Right Disc Hub		1	
31	5024010059-0	Smooth Washer Ø16,5 X Ø29 X 1,21Mm	1			61	5204010149-7	Left Disc Hub			1
32	6010601280-9	Upper Lock Of Triple Spring	1			62	6010600786-4	Depth Limiter Ring (40Mm)	1		

## • Table Lateral Row W/Cutting Disc and Concave Depth Wheel W/Regulator Support(Frieze 40mm) - Spacing 170mm

Item	Code	Product description	All	Large Right	Small Left	Item	Code	Product description	All	Large Right	Small Left
63	5232010076-3	Shaft Ø36 X 94Mm With Left Thread	1			98	6020350244-6	Retainer Ø35,00 X Ø58,00 X 10,00Mm	1		
63	5232010077-1	Shaft Ø36 X 94Mm With Right Thread	1			99	5024010258-4	Smooth Washer Ø20 X Ø38,5 X 3,00Mm	1		
64	6020310797-0	Nut 3/4" 16F Unf Gr5 Ch.1.1/16" Height 13,00Mm	2			100	5204010090-3	Disc Hub	1		
65	6020010513-6	Plain Washer Ø20 X Ø35 X 3Mm	2			101	6020190098-3	Gascket Ø50,3 X Ø73,5 X 1/64"	1		
66	6020050641-6	Hub Cap	2			102	6020311000-9	Hexagonal Head Bolt 1/4" X 1/2" 20F Unc1A Gr5 Rt	4		
67	6020010095-9	Gascket Ring 047X 052X 2Mm	2			103	6020010402-4	Pressure Washer 1/4" Media Industry	4		
68	6020350268-3	Retainer Ø36,00 X Ø52,00 X 11,00Mm	2			104	6020130108-7	Grease Fitting 1/8"	1		
69	6020350087-7	Bearing 30204	4			105	6020050640-8	Hub Cap	1		
70	5204010148-9	Hub Of Ø136 X 54Mm	2			106	6020310797-0	Nut 3/4" 16F Unf Gr5 Ch.1.1/16" Height 13,00Mm	1		
71	6020050101-5	Cotterpin 1/8" X 1"	2			107	5530160187-4	Support W/Shaft Of Disc	1		
72	6020010289-7	Retaining Ring I-55	2			108	6020390294-0	Lock Nma - Type "R" Ø3,5 X 67Mm(Special)	1		
73	6020311038-6	Hexagonal Head Bolt 3/8" X 4" 16F Unc1A Gr2 Rp	4			109	5530016364-4	Lower Support Of Triple Spring	1		
74	6020010406-7	Pressure Washer 3/8" Media Industry	4			110	6020250664-2	Helical Spring Ø43 X Ø59 X 700Mm External			1
75	5124010099-5	Rippled Coulter Disc Row	1			110	6020250667-7	Helical Spring Ø43 X Ø59 X 800Mm External		1	
76	5324050014-7	Complete Adjustment Support Guide	2			111	5566040144-9	Rod Of Spring De 935,5Mm			1
77	6020310746-6	Hexagonal Nut 3/8" 16F Unc Gr5 Ch.9/16" Height 8,50Mm	4			111	5566010205-0	Rod Of Spring De 1085,5Mm		1	
78	6020050101-5	Cotterpin 1/8" X 1"	1			112	6020310349-5	Hexagonal Head Bolt M12 X 1,75 X 30Mm Cl8.8 R Wth Point	2		
79	6020130108-7	Grease Fitting 1/8"	1			113	6020250663-4	Helical Spring Ø27,3 X Ø40 X 700Mm Intermediary			1
80	5530010406-0	Depth Regulator Support	1			113	6020250666-9	Helical Spring Ø27,3 X Ø40 X 800Mm Intermediary		1	
81	6020310510-2	Heavy Elastic Pin Ø10 X 55Mm	1			114	5080011663-2	Fixation Support Of Spring Rod	1		
82	6020010406-7	Pressure Washer 3/8" Media Industry	1			115	6020250662-6	Helical Spring Ø17,5 X Ø25,5 X 700Mm Internal			1
83	6020310472-6	Heavy Elastic Pin Ø6 X 55Mm	1			115	6020250665-0	Helical Spring Ø17,5 X Ø25,5 X 800Mm Internal		1	
84	5432010181-9	French Head Pin Ø11,20 X 90Mm	1								
85	5080020787-5	Bushing Of Ø14 X Ø19 X 65Mm	1								
86	5124010100-2	Cart W/Rippled Coulter Disc Blade	1								
87	6020311038-6	Hexagonal Head Bolt 3/8" X 4" 16F Unc1A Gr2 Rp	1								
88	6020310746-6	Hexagonal Nut 3/8" 16F Unc Gr5 Ch.9/16" Height 8,50Mm	1								
89	5024010107-3	Smooth Washer Ø36 X Ø61 X 5,00Mm	1								
90	6020310822-5	Hexagonal Nut M10 X 1,50 Ma Cl8 Ch.17Mm H.8,00Mm	6								
91	6020310980-9	Hexagonal Head Bolt M10 X 1,50 X 40Mm Cl8.8 Rt	6								
92	3255397388-0	Rippled Plain Disc Blade 14 X 4,00 Hc Rd 80Mm + 6H Rd 10,3Mm D=115Mm Doble Bevel	1								
93	6020010394-0	Pressure Washer M10 Media	6								
94	5284010001-4	Flange Of Disc Hub	1								
95	5530010405-2	Support Of Disc W/Hub	1								
96	6020050101-5	Cotterpin 1/8" X 1"	1								
97	6020350077-0	Bearing 44610/49	2								

• Row W/ Heavy Iron Compaction Wheel - Spacing 170mm



\* Item 3 - See page 61

## • Table Row W/ Heavy Iron Compaction Wheel - Spacing 170mm

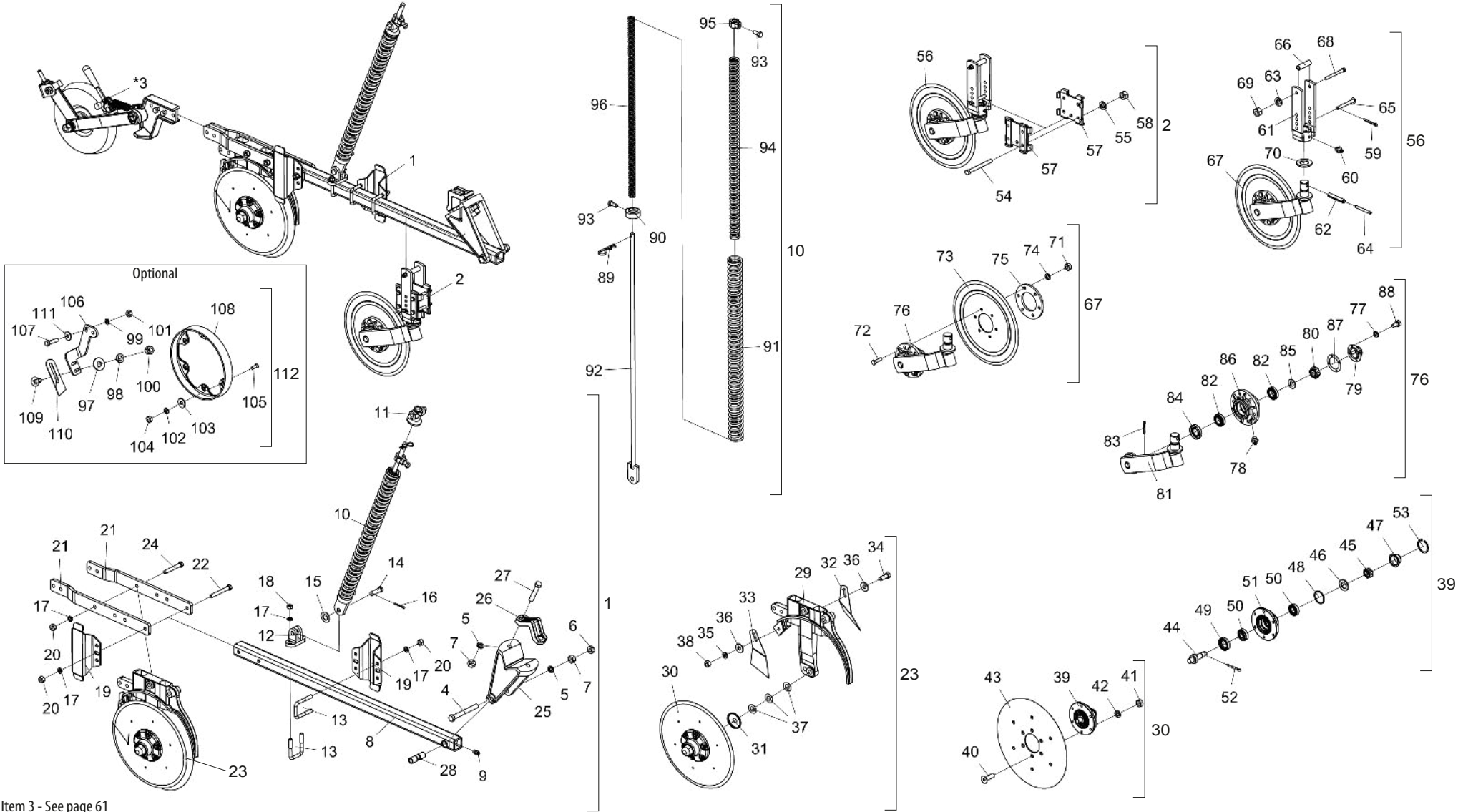
Item	Code	Product description	All	Small Right				Small Left												
				Small Right	Large Right	Small Left	Large Left	Small Right W/Cutting Disc	Large Right W/Cutting Disc	Small Left W/Cutting Disc	Large Left W/Cutting Disc									
1	2517011538-7	Small Right Row Unit(Spde-A)	1					1												
1	2517011539-5	Large Right Row Unit(Spde-A)			1					1										
1	2517011540-9	Small Left Row Unit(Spde-A)				1						1								
1	2517011541-7	Large Left Row Unit(Spde-A)						1						1						
2	5124010337-4	Complete Cart Of Rippled Coulter Disc Blade							1	1	1	1								
*3	5124010576-8	Row Of Left Heavy Iron Complete Compactation Wheel		1	1				1	1										
*3	5124010575-0	Row Of Right Heavy Iron Complete Compactation Wheel				1	1					1	1							
4	5124010372-2	Complete Cart Of Double Disc Fertilizer/Seed (Excentric) Special		1	1				1	1										
4	5124010373-0	Left Cart Of Fertilizer/Seed Double Disc (Excentric) Special				1	1					1	1							
5	6020310754-7	Hexagonal Nut 1/2" 12F W Gr5 Ch.7/8" Height 12,00Mm		4	8	4	8	4	8	4	8	4	8							
6	6010601347-3	Fixation Shank Of Coulter Disc	1																	
7	6010601280-9	Upper Lock Of Triple Spring	1																	
8	6020010410-5	Pressure Washer 1/2" Media Industry		6	10	6	10	6	10	6	10	6	10							
9	5024010059-0	Smooth Washer Ø16,5 X Ø29 X 1,21Mm	1																	
10	5526010018-0	Separator Of Rowas	2																	
11	5080010539-8	Row Articulation Bushing	1																	
12	6020310760-1	Hexagonal Nut 5/8" 11F Unc Gr5 Ch.1.1/16" Height 15,00Mm	3																	
13	5136015261-1	Fixation Plate Of Double Disc	2																	
14	5566010260-3	Small Rod Of Spring Of 700Mm Complete		1		1				1			1							
14	5566010261-1	Small Rod Of Spring Of 800Mm Complete			1		1				1			1						
15	6020310593-5	Pin Ø5/8" X 46mm	1																	
16	6020050101-5	Cotterpin 1/8" X 1"	1																	
17	6020311082-3	Hexagonal Head Bolt 5/8" X 5.1/2" 11F Unc1A Gr5 Rp	1																	
18	6020010412-1	Pressure Washer 5/8" Media Industry	3																	
19	6020311079-3	Hexagonal Head Bolt 5/8" X 3.1/2" 11F Unc1A Gr5 Rp	2																	
20	6020310756-3	Hexagonal Nut 1/2" 12F W Gr5 Ch.3/4" Height 11,00Mm	2																	
21	5252040056-7	Cart Hitch	1																	
22	6020311061-0	Hexagonal Head Bolt 1/2" X 3.1/2" 12F W Gr5 Rp		2	4	2	4	2	4	2	4	2	4							
23	6010601172-1	Lower Support Of Rod (Small)	1																	
24	6020130100-1	Grease Fitting 1/4"	1																	
25	6020310738-5	Hexagonal Nut 5/8" 11F Unc Gr5 Ch.1.1/16" Height 11,00Mm	1																	
26	5572015584-1	Square Beam Of50 X 1200Mm Complete	1																	
27	6020311065-3	Hexagonal Head Bolt 1/2" X 4" 12F W Gr5 Rp		2		2		2		2		2								
27	5068010081-8	Clamp Of 84 X 64 X R.1/2" W																		
28	5068010081-8	Clamp Of 84 X 64 X R.1/2" W	1																	
29	5530011577-1	Right Support Of Fertilizer And Seed Large Double Disc (Descentrado)		1	1					1	1									
29	5530011576-3	Left Support Of Large Fertilizer/Seed Large Double Disc				1	1					1	1							
30	5204010159-4	Complete Right Hub For Limiter Ring(Coulter Disc Blade 15" X 4,00Mm)	1																	
30	5204010160-8	Complete Left Hub For Limiter Ring (Plain Disc 15" X 4,00Mm)	1																	
31	5096040002-7	Hub Internal Cap	2																	
32	5352030056-9	Internal Left Scraper Of Disc	1																	
33	5352030057-7	Internal Right Scraper Of Disc	1																	
34	6020310054-2	Hexagonal Head Bolt 3/8" X 1" 16F Unc1A Gr2 Rt	1																	
35	6020010406-7	Pressure Washer 3/8" Media Industry	1																	
36	5024010075-1	Smooth Washer Ø10,3 X Ø25 X 2,00Mm	2																	
37	5024010024-7	Smooth Washer Ø20 X Ø38 X 1,21Mm	6																	
38	6020310746-6	Hexagonal Nut 3/8" 16F Unc Gr5 Ch.9/16" Height 8,50Mm	1																	
39	5204010149-7	Left Disc Hub	1																	
39	5204010150-0	Right Disc Hub	1																	
40	6020317573-9	Allen Bolt M8 X 1,25 X 25mm Cl12.9 RT	12																	
41	6020310454-8	Hexagonal Nut M8 X 1,25 Ma Cl8 Ch.13Mm H.6,50Mm	12																	
42	6020010004-5	Pressure Washer M8 Media	12																	
43	2857398003-6	Coulter Plain Disc Blade 15 X 4,00 Hc Rd 80Mm + 6H Rd 8,7Mm R=57,5Mm	2																	
44	5232010076-3	Shaft Ø36 X 94Mm With Left Thread	1																	
44	5232010077-1	Shaft Ø36 X 94Mm With Right Thread	1																	
45	6020310797-0	Nut 3/4" 16F Unf Gr5 Ch.1.1/16" Height 13,00Mm	2																	
46	6020010513-6	Plain Washer Ø20 X Ø35 X 3Mm	2																	
47	6020050641-6	Hub Cap	2																	
48	6020010095-9	Gascket Ring 047X 052X 2Mm	2																	
49	6020350268-3	Retainer Ø36,00 X Ø52,00 X 11,00Mm	2																	
50	6020350087-7	Bearing 30204	4																	
51	5204010148-9	Hub Of Ø136 X 54Mm	2																	
52	6020050101-5	Cotterpin 1/8" X 1"	2																	
53	6020010289-7	Retaining Ring I-55	2																	
54	6020311038-6	Hexagonal Head Bolt 3/8" X 4" 16F Unc1A Gr2 Rp															4	4	4	4
55	6020010406-7	Pressure Washer 3/8" Media Industry															4	4	4	4

## • Table Row W/ Heavy Iron Compaction Wheel - Spacing 170mm

Item	Code	Product description	All	Small Right	Large Right	Small Left	Large Left	Small Right W/Cutting Disc	Large Right W/Cutting Disc	Small Left W/Cutting Disc	Large Left W/Cutting Disc
56	5124010099-5	Rippled Coulter Disc Row						1	1	1	1
57	5324050014-7	Complete Adjustment Support Guide						2	2	2	2
58	6020310746-6	Hexagonal Nut 3/8" 16F Unc Gr5 Ch.9/16" Height 8,50Mm						4	4	4	4
59	6020050101-5	Cotterpin 1/8" X 1"						1	1	1	1
60	6020130108-7	Grease Fitting 1/8"						1	1	1	1
61	5530010406-0	Depth Regulator Support						1	1	1	1
62	6020310510-2	Heavy Elastic Pin Ø10 X 55Mm						1	1	1	1
63	6020010406-7	Pressure Washer 3/8" Media Industry						1	1	1	1
64	6020310472-6	Heavy Elastic Pin Ø6 X 55Mm						1	1	1	1
65	5432010181-9	French Head Pin Ø11,20 X 90Mm						1	1	1	1
66	5080020787-5	Bushing Of Ø14 X Ø19 X 65Mm						1	1	1	1
67	5124010100-2	Cart W/Rippled Coulter Disc Blade						1	1	1	1
68	6020311038-6	Hexagonal Head Bolt 3/8" X 4" 16F Unc1A Gr2 Rp						1	1	1	1
69	6020310746-6	Hexagonal Nut 3/8" 16F Unc Gr5 Ch.9/16" Height 8,50Mm						1	1	1	1
70	5024010107-3	Smooth Washer Ø36 X Ø61 X 5,00Mm						1	1	1	1
71	6020310822-5	Hexagonal Nut M10 X 1,50 Ma Cl8 Ch.17Mm H.8,00Mm						6	6	6	6
72	6020310980-9	Hexagonal Head Bolt M10 X 1,50 X 40Mm Cl8.8 Rt						6	6	6	6
73	3255397388-0	Rippled Plain Disc Blade 14 X 4,00 Hc Rd 80Mm + 6H Rd 10,3Mm						1	1	1	1
74	6020010394-0	Pressure Washer M10 Media						6	6	6	6
75	5284010001-4	Flange Of Disc Hub						1	1	1	1
76	5530010405-2	Support Of Disc W/Hub						1	1	1	1
77	6020010402-4	Pressure Washer 1/4" Media Industry						4	4	4	4
78	6020130108-7	Grease Fitting 1/8"						1	1	1	1
79	6020050640-8	Hub Cap						1	1	1	1
80	6020310797-0	Nut 3/4" 16F Unf Gr5 Ch.1.1/16" Height 13,00Mm						1	1	1	1
81	5530160187-4	Support W/Shaft Of Disc						1	1	1	1
82	6020050101-5	Cotterpin 1/8" X 1"						1	1	1	1
83	6020350244-6	Retainer Ø35,00 X Ø58,00 X 10,00Mm						1	1	1	1
84	5024010258-4	Smooth Washer Ø20 X Ø38,5 X 3,00Mm						1	1	1	1
85	5204010090-3	Disc Hub						1	1	1	1
86	6020190098-3	Gascket Ø50,3 X Ø73,5 X 1/64"						1	1	1	1
87	6020311000-9	Hexagonal Head Bolt 1/4" X 1/2" 20F Unc1A Gr5 Rt						4	4	4	4
88	6020350077-0	Bearing 44610/49						2	2	2	2

Item	Code	Product description	All	Small Right	Large Right	Small Left	Large Left	Small Right W/Cutting Disc	Large Right W/Cutting Disc	Small Left W/Cutting Disc	Large Left W/Cutting Disc
89	6020390294-0	Lock Nma - Type "R" Ø3,5 X 67Mm(Special)	1								
90	5530016364-4	Lower Support Of Triple Spring	1								
91	6020250664-2	Helical Spring Ø43 X Ø59 X 700Mm External		1		1		1		1	
91	6020250667-7	Helical Spring Ø43 X Ø59 X 800Mm External			1		1		1		1
92	5566040144-9	Rod Of Spring De 935,5Mm		1		1		1		1	
92	5566010205-0	Rod Of Spring De 1085,5Mm			1		1		1		1
93	6020310349-5	Hexagonal Head Bolt M12 X 1,75 X 30Mm Cl8.8 R Wth Point	2								
94	6020250663-4	Helical Spring Ø27,3 X Ø40 X 700Mm Intermediary		1		1		1		1	
94	6020250666-9	Helical Spring Ø27,3 X Ø40 X 800Mm Intermediary			1		1		1		1
95	5080011663-2	Fixation Support Of Spring Rod	1								
96	6020250662-6	Helical Spring Ø17,5 X Ø25,5 X 700Mm Internal		1		1		1		1	
96	6020250665-0	Helical Spring Ø17,5 X Ø25,5 X 800Mm Internal			1		1		1		1
Optional											
97	5024010075-1	Smooth Washer Ø10,3 X Ø25 X 2,00Mm	2								
98	6020010406-7	Pressure Washer 3/8" Media Industry	2								
99	6020010410-5	Pressure Washer 1/2" Media Industry	2								
100	6020310746-6	Hexagonal Nut 3/8" 16F Unc Gr5 Ch.9/16" Height 8,50Mm	2								
101	6020310754-7	Hexagonal Nut 1/2" 12F W Gr5 Ch.7/8" Height 12,00Mm	2								
102	6020010402-4	Pressure Washer 1/4" Media Industry	6								
103	5024010161-8	Smooth Washer Ø7 X Ø18 X 2,00Mm	6								
104	6020310742-3	Hexagonal Nut 1/4" 20F Unc Gr5 Ch.7/16" Height 5,50Mm	6								
105	6020310147-6	Bolt 1/4" X 3/4" 20F Unc1A Gr5 Rt	6								
106	5530014453-4	Left Support Of Scraper		1	1			1	1		
106	5530014452-6	Right Support Of Scraper				1	1			1	1
107	6020310049-6	Hexagonal Head Bolt 1/2" X 2" 12F W Gr5 Rp	2								
108	6010600786-4	Deph Limiter Ring (40Mm)	1								
109	6020311160-9	French Head Bolt 3/8" X 1" 16F Unc1A Gr2 Rt	2								
110	5352010048-9	Limiter Of Limiter Rim	1								
111	5024010068-9	Smooth Washer Ø13,3 X Ø35,5 X 3,00Mm	2								
112	5288010055-6	Left Limiter Ring With Scraper (Deph 40Mm)		1	1			1	1		
112	5288010054-8	Right Limiter Ring With Scaper (Deph 40Mm)				1	1			1	1

## • Lateral Row W/ Heavy Iron Compaction Wheel - Spacing 170mm



\* Item 3 - See page 61

## • Table Lateral Row W/ Heavy Iron Compaction Wheel - Spacing 170mm

Item	Code	Product description	All	Large Right	Small Left	Large Right W/Cutting Disc	Small Left W/Cutting Disc	Item	Code	Product description	All	Large Right	Small Left	Large Right W/Cutting Disc	Small Left W/Cutting Disc
1	2517011763-0	Large Right Lateral Row Unit (Spde-A)		1		1		29	5530011577-1	Right Support Of Fertilizer And Seed Large Double Disc (Descentrado)		1		1	
1	2517011764-9	Small Left Lateral Row Unit (Spde-A)			1		1	29	5530011576-3	Left Support Of Large Fertilizer/Seed Large Double Disc			1		1
2	5124010337-4	Complete Cart Of Rippled Coulter Disc Blade				1	1	30	5204010159-4	Complete Right Hub For Limiter Ring (Coulter Disc Blade 15" X 4,00Mm)	1				
*3	5124010576-8	Row Of Left Heavy Iron Complete Compactation Wheel		1		1		30	5204010160-8	Complete Left Hub For Limiter Ring (Plain Disc 15" X 4,00Mm)	1				
*3	5124010575-0	Row Of Right Heavy Iron Complete Compactation Wheel			1		1	31	5096040002-7	Hub Internal Cap	2				
4	6020311082-3	Hexagonal Head Bolt 5/8" X 5.1/2" 11F Unc1A Gr5 Rp	1					32	5352030056-9	Internal Left Scraper Of Disc	1				
5	6020010412-1	Pressure Washer 5/8" Media Industry	3					33	5352030057-7	Internal Right Scraper Of Disc	1				
6	6020310738-5	Hexagonal Nut 5/8" 11F Unc Gr5 Ch.1.1/16" Height 11,00Mm	1					34	6020310054-2	Hexagonal Head Bolt 3/8" X 1" 16F Unc1A Gr2 Rt	1				
7	6020310760-1	Hexagonal Nut 5/8" 11F Unc Gr5 Ch.1.1/16" Height 15,00Mm	3					35	6020010406-7	Pressure Washer 3/8" Media Industry	1				
8	5572015584-1	Square Beam Of 50 X 1200Mm Complete	1					36	5024010075-1	Smooth Washer Ø10,3 X Ø25 X 2,00Mm	2				
9	6020130100-1	Grease Fitting 1/4"	1					37	5024010024-7	Smooth Washer Ø20 X Ø38 X 1,21Mm	6				
10	5566010261-1	Small Rod Of Spring Of 800Mm Complete		1		1		38	6020310746-6	Hexagonal Nut 3/8" 16F Unc Gr5 Ch.9/16" Height 8,50Mm	1				
10	5566010260-3	Small Rod Of Spring Of 700Mm Complete			1		1	39	5204010149-7	Left Disc Hub	1				
11	6010601280-9	Upper Lock Of Triple Spring	1					39	5204010150-0	Right Disc Hub	1				
12	6010601172-1	Lower Support Of Rod (Small)	1					40	6020317573-9	Allen Bolt M8 X 1,25 X 25mm Cl12.9 RT	12				
13	5068010081-8	Clamp Of 84 X 64 X R.1/2" W	3					41	6020310454-8	Hexagonal Nut M8 X 1,25 Ma Cl8 Ch.13Mm H.6,50Mm	12				
14	6020310593-5	Pin Ø5/8" X 46mm	1					42	6020010004-5	Pressure Washer M8 Media	12				
15	5024010059-0	Smooth Washer Ø16,5 X Ø29 X 1,21Mm	1					43	2857398003-6	Coulter Plain Disc Blade 15 X 4,00 Hc Rd 80Mm + 6H Rd 8,7Mm R=57,5Mm + 6H Rd 6,9Mm	2				
16	6020050101-5	Cotterpin 1/8" X 1"	1					44	5232010076-3	Shaft Ø36 X 94Mm With Left Thread	1				
17	6020010410-5	Pressure Washer 1/2" Media Industry		14	10	14	10	44	5232010077-1	Shaft Ø36 X 94Mm With Right Thread	1				
18	6020310756-3	Hexagonal Nut 1/2" 12F W Gr5 Ch.3/4" Height 11,00Mm	2					45	6020310797-0	Nut 3/4" 16F Unf Gr5 Ch.1.1/16" Height 13,00Mm	2				
19	5526010018-0	Separator Of Rowas	2					46	6020010513-6	Plain Washer Ø20 X Ø35 X 3Mm	2				
20	6020310754-7	Hexagonal Nut 1/2" 12F W Gr5 Ch.7/8" Height 12,00Mm		12	8	12	8	47	6020050641-6	Hub Cap	2				
21	5136015261-1	Fixation Plate Of Double Disc	2					48	6020010095-9	Gascket Ring 047X 052X 2Mm	2				
22	5068010081-8	Clamp Of 84 X 64 X R.1/2" W		2		2		49	6020350268-3	Retainer Ø36,00 X Ø52,00 X 11,00Mm	2				
22	6020311065-3	Hexagonal Head Bolt 1/2" X 4" 12F W Gr5 Rp			2		2	50	6020350087-7	Bearing 30204	4				
23	5124010372-2	Complete Cart Of Double Disc Fertilizer/Seed (Excentric) Special		1		1		51	5204010148-9	Hub Of Ø136 X 54Mm	2				
23	5124010373-0	Left Cart Of Fertilizer/Seed Double Disc (Excentric) Special			1		1	52	6020050101-5	Cotterpin 1/8" X 1"	2				
24	6020311061-0	Hexagonal Head Bolt 1/2" X 3.1/2" 12F W Gr5 Rp		4	2	4	2	53	6020010289-7	Retaining Ring I-55	2				
25	5252040056-7	Cart Hitch	1					54	6020311038-6	Hexagonal Head Bolt 3/8" X 4" 16F Unc1A Gr2 Rp				4	4
26	6010601347-3	Fixation Shank Of Coulter Disc	1					55	6020010406-7	Pressure Washer 3/8" Media Industry				4	4
27	6020311079-3	Hexagonal Head Bolt 5/8" X 3.1/2" 11F Unc1A Gr5 Rp	2					56	5124010099-5	Rippled Coulter Disc Row				1	1
28	5080010539-8	Row Articulation Bushing	1					57	5324050014-7	Complete Adjustment Support Guide				2	2

## • Table Lateral Row W/ Heavy Iron Compaction Wheel - Spacing 170mm

Item	Code	Product description	All	Large Right	Small Left	Large Right W/Cutting Disc	Small Left W/Cutting Disc	Item	Code	Product description	All	Large Right	Small Left	Large Right W/Cutting Disc	Small Left W/Cutting Disc
58	6020310746-6	Hexagonal Nut 3/8" 16F Unc Gr5 Ch.9/16" Height 8,50Mm				4	4	91	6020250664-2	Helical Spring Ø43 X Ø59 X 700Mm External			1		1
59	6020050101-5	Cotterpin 1/8" X 1"				1	1	91	6020250667-7	Helical Spring Ø43 X Ø59 X 800Mm External		1		1	
60	6020130108-7	Grease Fitting 1/8"				1	1	92	5566040144-9	Rod Of Spring De 935,5Mm			1		1
61	5530010406-0	Depth Regulator Support				1	1	92	5566010205-0	Rod Of Spring De 1085,5Mm		1		1	
62	6020310510-2	Heavy Elastic Pin Ø10 X 55Mm				1	1	93	6020310349-5	Hexagonal Head Bolt M12 X 1,75 X 30Mm Cl8.8 R Wth Point	2				
63	6020010406-7	Pressure Washer 3/8" Media Industry				1	1	94	6020250663-4	Helical Spring Ø27,3 X Ø40 X 700Mm Intermediary			1		1
64	6020310472-6	Heavy Elastic Pin Ø6 X 55Mm				1	1	94	6020250666-9	Helical Spring Ø27,3 X Ø40 X 800Mm Intermediary		1		1	
65	5432010181-9	French Head Pin Ø11,20 X 90Mm				1	1	95	5080011663-2	Fixation Support Of Spring Rod	1				
66	5080020787-5	Bushing Of Ø14 X Ø19 X 65Mm				1	1	96	6020250662-6	Helical Spring Ø17,5 X Ø25,5 X 700Mm Internal			1		1
67	5124010100-2	Cart W/Rippled Coulter Disc Blade				1	1	96	6020250665-0	Helical Spring Ø17,5 X Ø25,5 X 800Mm Internal		1		1	
68	6020311038-6	Hexagonal Head Bolt 3/8" X 4" 16F Unc1A Gr2 Rp				1	1	Optional							
69	6020310746-6	Hexagonal Nut 3/8" 16F Unc Gr5 Ch.9/16" Height 8,50Mm				1	1	97	5024010075-1	Smooth Washer Ø10,3 X Ø25 X 2,00Mm	2				
70	5024010107-3	Smooth Washer Ø36 X Ø61 X 5,00Mm				1	1	98	6020010406-7	Pressure Washer 3/8" Media Industry	2				
71	6020310822-5	Hexagonal Nut M10 X 1,50 Ma Cl8 Ch.17Mm H.8,00Mm				6	6	99	6020010410-5	Pressure Washer 1/2" Media Industry	2				
72	6020310980-9	Hexagonal Head Bolt M10 X 1,50 X 40Mm Cl8.8 Rt				6	6	100	6020310746-6	Hexagonal Nut 3/8" 16F Unc Gr5 Ch.9/16" Height 8,50Mm	2				
73	3255397388-0	Rippled Plain Disc Blade 14 X 4,00 Hc Rd 80Mm + 6H Rd 10,3Mm D=115Mm Doble Bevel				1	1	101	6020310754-7	Hexagonal Nut 1/2" 12F W Gr5 Ch.7/8" Height 12,00Mm	2				
74	6020010394-0	Pressure Washer M10 Media				6	6	102	6020010402-4	Pressure Washer 1/4" Media Industry	6				
75	5284010001-4	Flange Of Disc Hub				1	1	103	5024010161-8	Smooth Washer Ø7 X Ø18 X 2,00Mm	6				
76	5530010405-2	Support Of Disc W/Hub				1	1	104	6020310742-3	Hexagonal Nut 1/4" 20F Unc Gr5 Ch.7/16" Height 5,50Mm	6				
77	6020010402-4	Pressure Washer 1/4" Media Industry				4	4	105	6020310147-6	Bolt 1/4" X 3/4" 20F Unc1A Gr5 Rt	6				
78	6020130108-7	Grease Fitting 1/8"				1	1	106	5530014453-4	Left Support Of Scraper		1	1		
79	6020050640-8	Hub Cap				1	1	106	5530014452-6	Right Support Of Scraper				1	1
80	6020310797-0	Nut 3/4" 16F Unf Gr5 Ch.1.1/16" Height 13,00Mm				1	1	107	6020310049-6	Hexagonal Head Bolt 1/2" X 2" 12F W Gr5 Rp	2				
81	5530160187-4	Support W/Shaft Of Disc				1	1	108	6010600786-4	Deph Limiter Ring (40Mm)	1				
82	6020350077-0	Bearing 44610/49				2	2	109	6020311160-9	French Head Bolt 3/8" X 1" 16F Unc1A Gr2 Rt	2				
83	6020050101-5	Cotterpin 1/8" X 1"				1	1	110	5352010048-9	Limiter Of Limiter Rim	1				
84	6020350244-6	Retainer Ø35,00 X Ø58,00 X 10,00Mm				1	1	111	5024010068-9	Smooth Washer Ø13,3 X Ø35,5 X 3,00Mm	2				
85	5024010258-4	Smooth Washer Ø20 X Ø38,5 X 3,00Mm				1	1	112	5288010055-6	Left Limiter Ring With Scraper (Deph 40Mm)		1	1		
86	5204010090-3	Disc Hub				1	1	112	5288010054-8	Right Limiter Ring With Scaper (Deph 40Mm)				1	1
87	6020190098-3	Gascket Ø50,3 X Ø73,5 X 1/64"				1	1								
88	6020311000-9	Hexagonal Head Bolt 1/4" X 1/2" 20F Unc1A Gr5 Rt				4	4								
89	6020390294-0	Lock Nma - Type "R" Ø3,5 X 67Mm(Special)	1												
90	5530016364-4	Lower Support Of Triple Spring	1												



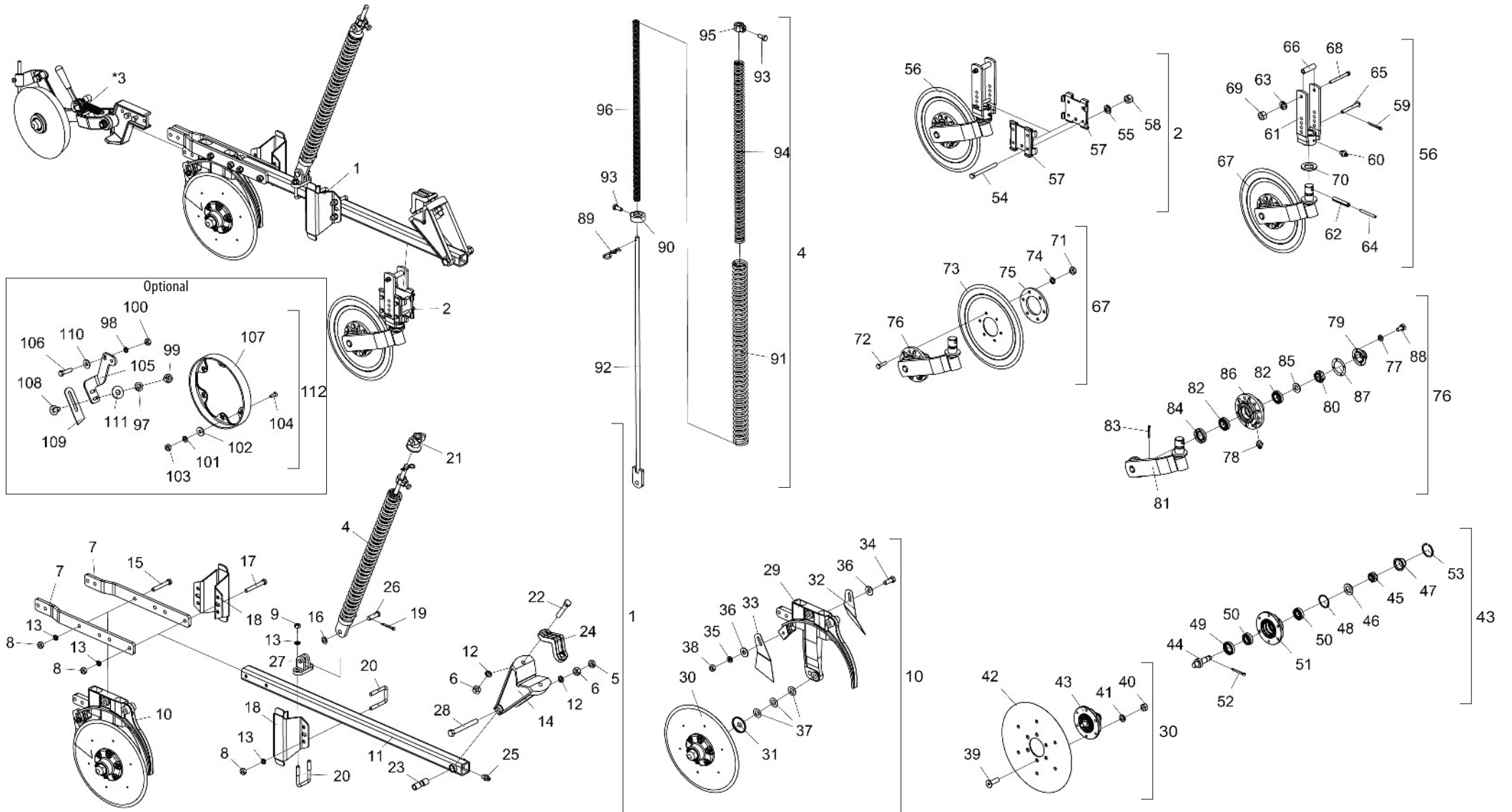
## • Table Row W/Rippled Cutting Disc and Heavy Iron Compaction Wheel - Spacing 250mm

Item	Code	Product description					Item	Code	Product description					
			All	Small Right	Large Right	Small Left				Large Left	All	Small Right	Large Right	Small Left
1	2517012381-9	Small Right Row Unit(Spde-A)		1			29	5204010160-8	Complete Left Hub For Limiter Ring (Plain Disc 15" X 4,00Mm)	1				
1	2517012382-7	Small Right Row Unit(Spde-A)			1		30	5096040002-7	Hub Internal Cap	2				
1	2517012383-5	Small Right Row Unit(Spde-A)				1	31	5352030056-9	Internal Left Scraper Of Disc	1				
1	2517012384-3	Small Right Row Unit(Spde-A)				1	32	5352030057-7	Internal Right Scraper Of Disc	1				
2	5124010337-4	Complete Cart Of Rippled Coulter Disc Blade	1				33	6020310054-2	Hexagonal Head Bolt 3/8" X 1" 16F Unc1A Gr2 Rt	1				
*3	5124010576-8	Row Of Left Heavy Iron Complete Compaction Wheel	1		1		34	6020010406-7	Pressure Washer 3/8" Media Industry	1				
*3	5124010575-0	Row Of Right Heavy Iron Complete Compaction Wheel			1	1	35	5024010075-1	Smooth Washer Ø10,3 X Ø25 X 2,00Mm	2				
4	5124010372-2	Complete Cart Of Double Disc Fertilizer/Seed (Excentric) Special	1	1			36	5024010024-7	Smooth Washer Ø20 X Ø38 X 1,21Mm	6				
4	5124010373-0	Left Cart Of Fertilizer/Seed Double Disc (Excentric) Special			1	1	37	6020310746-6	Hexagonal Nut 3/8" 16F Unc Gr5 Ch.9/16" Height 8,50Mm	1				
5	6020010410-5	Pressure Washer 1/2" Media Industry		6	10	6	10	38	5530011577-1	Right Support Of Fertilizer And Seed Large Double Disc (Descentrado)		1	1	
6	6020310754-7	Hexagonal Nut 1/2" 12F W Gr5 Ch.7/8" Height 12,00Mm		4	8	4	8	38	5530011576-3	Left Support Of Large Fertilizer/Seed Large Double Disc				1
7	6010601280-9	Upper Lock Of Triple Spring	1					39	5204010149-7	Left Disc Hub	1			
8	5068010081-8	Clamp Of 84 X 64 X R. 1/2" W	1					39	5204010150-0	Right Disc Hub	1			
9	6020130100-1	Grease Fitting 1/4"	1					40	6020317573-9	Allen Bolt M8 X 1,25 X 25mm Cl12.9 RT	12			
10	5566010260-3	Small Rod Of Spring Of 700Mm Complete		1		1		41	6020310454-8	Hexagonal Nut M8 X 1,25 Ma Cl8 Ch.13Mm H.6,50Mm	12			
10	5566010261-1	Small Rod Of Spring Of 800Mm Complete			1	1		42	6020010004-5	Pressure Washer M8 Media	12			
11	5572015584-1	Square Beam Of 50 X 1200Mm Complete	1					43	2857398003-6	Coulter Plain Disc Blade 15 X 4,00 Hc Rd 80Mm + 6H Rd 8,7Mm R=57,5Mm + 6H Rd 6,9Mm	2			
12	6020310738-5	Hexagonal Nut 5/8" 11F Unc Gr5 Ch.1.1/16" Height 11,00Mm	1					44	5232010076-3	Shaft Ø36 X 94Mm With Left Thread	1			
13	6020310760-1	Hexagonal Nut 5/8" 11F Unc Gr5 Ch.1.1/16" Height 15,00Mm	3					44	5232010077-1	Shaft Ø36 X 94Mm With Right Thread	1			
14	6020010412-1	Pressure Washer 5/8" Media Industry	3					45	6020310797-0	Nut 3/4" 16F Unf Gr5 Ch.1.1/16" Height 13,00Mm	2			
15	6020311082-3	Hexagonal Head Bolt 5/8" X 5.1/2" 11F Unc1A Gr5 Rp	1					46	6020010513-6	Plain Washer Ø20 X Ø35 X 3Mm	2			
16	6010601172-1	Lower Support Of Rod (Small)	1					47	6020050641-6	Hub Cap	2			
17	5080010539-8	Row Articulation Bushing	1					48	6020010095-9	Gascket Ring 047X 052X 2Mm	2			
18	6020311079-3	Hexagonal Head Bolt 5/8" X 3.1/2" 11F Unc1A Gr5 Rp	2					49	6020350268-3	Retainer Ø36,00 X Ø52,00 X 11,00Mm	2			
19	6010601347-3	Fixation Shank Of Coulter Disc	1					50	6020350087-7	Bearing 30204	4			
20	5252040056-7	Cart Hitch	1					51	5204010148-9	Hub Of Ø136 X 54Mm	2			
21	6020310593-5	Pin Ø5/8" X 46mm	1					52	6020050101-5	Cotterpin 1/8" X 1"	2			
22	6020050101-5	Cotterpin 1/8" X 1"	1					53	6020010289-7	Retaining Ring I-55	2			
23	5024010059-0	Smooth Washer Ø16,5 X Ø29 X 1,21Mm	1					54	6020311038-6	Hexagonal Head Bolt 3/8" X 4" 16F Unc1A Gr2 Rp	4			
24	6020310756-3	Hexagonal Nut 1/2" 12F W Gr5 Ch.3/4" Height 11,00Mm	2					55	6020010406-7	Pressure Washer 3/8" Media Industry	4			
25	5526010035-0	Separator Of Rowas For Espacamento De 250Mm	2					56	5124010099-5	Rippled Coulter Disc Row	1			
26	5136015261-1	Fixation Plate Of Double Disc	2					57	5324050014-7	Complete Adjustment Support Guide	2			
27	6020311065-3	Hexagonal Head Bolt 1/2" X 4" 12F W Gr5 Rp		2		2		58	6020310746-6	Hexagonal Nut 3/8" 16F Unc Gr5 Ch.9/16" Height 8,50Mm	4			
27	5068010081-8	Clamp Of 84 X 64 X R. 1/2" W			2	2		59	6020050101-5	Cotterpin 1/8" X 1"	1			
28	6020311061-0	Hexagonal Head Bolt 1/2" X 3.1/2" 12F W Gr5 Rp		2	4	2	4	60	6020130108-7	Grease Fitting 1/8"	1			
29	5204010159-4	Complete Right Hub For Limiter Ring(Coulter Disc Blade 15" X 4,00Mm)	1					61	5530010406-0	Depth Regulator Support	1			

## • Table Row W/Rippled Cutting Disc and Heavy Iron Compactation Wheel - Spacing 250mm

Item	Code	Product description	All	Small Right	Large Right	Small Left	Large Left	Item	Code	Product description	All	Small Right	Large Right	Small Left	Large Left
62	6020310510-2	Heavy Elastic Pin Ø10 X 55Mm	1					95	5080011663-2	Fixation Support Of Spring Rod	1				
63	6020010406-7	Pressure Washer 3/8" Media Industry	1					96	6020250662-6	Helical Spring Ø17,5 X Ø25,5 X 700Mm Internal		1		1	
64	6020310472-6	Heavy Elastic Pin Ø6 X 55Mm	1					96	6020250665-0	Helical Spring Ø17,5 X Ø25,5 X 800Mm Internal			1		1
65	5432010181-9	French Head Pin Ø11,20 X 90Mm	1							Optional					
66	5080020787-5	Bushing Of Ø14 X Ø19 X 65Mm	1					97	5024010161-8	Smooth Washer Ø7 X Ø18 X 2,00Mm	6				
67	5124010100-2	Cart W/Rippled Coulter Disc Blade	1					98	6020310742-3	Hexagonal Nut 1/4" 20F Unc Gr5 Ch.7/16" Height 5,50Mm	6				
68	6020311038-6	Hexagonal Head Bolt 3/8" X 4" 16F Unc1A Gr2 Rp	1					99	6020310147-6	Bolt 1/4" X 3/4" 20F Unc1A Gr5 Rt	6				
69	6020310746-6	Hexagonal Nut 3/8" 16F Unc Gr5 Ch.9/16" Height 8,50Mm	1					100	5530014453-4	Left Support Of Scraper		1	1		
70	5024010107-3	Smooth Washer Ø36 X Ø61 X 5,00Mm	1					100	5530014452-6	Right Support Of Scraper				1	1
71	6020310822-5	Hexagonal Nut M10 X 1,50 Ma Cl8 Ch.17Mm H.8,00Mm	6					101	6020310049-6	Hexagonal Head Bolt 1/2" X 2" 12FW Gr5 Rp	2				
72	6020310980-9	Hexagonal Head Bolt M10 X 1,50 X 40Mm Cl8.8 Rt	6					102	6010600786-4	Deph Limiter Ring (40Mm)	1				
73	3255397388-0	Rippled Plain Disc Blade 14 X 4,00 Hc Rd 80Mm + 6H Rd 10,3Mm D=115Mm Doble Bevel	1					103	6020311160-9	French Head Bolt 3/8" X 1" 16F Unc1A Gr2 Rt	2				
74	6020010394-0	Pressure Washer M10 Media	6					104	5352010048-9	Limiter Of Limiter Rim	1				
75	5284010001-4	Flange Of Disc Hub	1					105	5024010068-9	Smooth Washer Ø13,3 X Ø35,5 X 3,00Mm	2				
76	5530010405-2	Support Of Disc W/Hub	1					106	5024010075-1	Smooth Washer Ø10,3 X Ø25 X 2,00Mm	2				
77	6020130108-7	Grease Fitting 1/8"	1					107	6020010406-7	Pressure Washer 3/8" Media Industry	2				
78	6020050640-8	Hub Cap	1					108	6020010410-5	Pressure Washer 1/2" Media Industry	2				
79	6020310797-0	Nut 3/4" 16F Unf Gr5 Ch.1.1/16" Height 13,00Mm	1					109	6020310746-6	Hexagonal Nut 3/8" 16F Unc Gr5 Ch.9/16" Height 8,50Mm	2				
80	5530160187-4	Support W/Shaft Of Disc	1					110	6020310754-7	Hexagonal Nut 1/2" 12FW Gr5 Ch.7/8" Height 12,00Mm	2				
81	6020350077-0	Bearing 44610/49	2					111	6020010402-4	Pressure Washer 1/4" Media Industry	6				
82	6020050101-5	Cotterpin 1/8" X 1"	1					112	5288010055-6	Left Limiter Ring With Scraper (Deph 40Mm)		1	1		
83	6020350244-6	Retainer Ø35,00 X Ø58,00 X 10,00Mm	1						5288010054-8	Right Limiter Ring With Scaper (Deph 40Mm)				1	1
84	5024010258-4	Smooth Washer Ø20 X Ø38,5 X 3,00Mm	1												
85	5204010090-3	Disc Hub	1												
86	6020190098-3	Gascket Ø50,3 X Ø73,5 X 1/64"	1												
87	6020311000-9	Hexagonal Head Bolt 1/4" X 1/2" 20F Unc1A Gr5 Rt	4												
88	6020010402-4	Pressure Washer 1/4" Media Industry	4												
89	6020390294-0	Lock Nma - Type "R" Ø3,5 X 67Mm(Special)	1												
90	5530016364-4	Lower Support Of Triple Spring	1												
91	6020250664-2	Helical Spring Ø43 X Ø59 X 700Mm External		1		1									
91	6020250667-7	Helical Spring Ø43 X Ø59 X 800Mm External			1		1								
92	5566040144-9	Rod Of Spring De 935,5Mm		1		1									
92	5566010205-0	Rod Of Spring De 1085,5Mm			1		1								
93	6020310349-5	Hexagonal Head Bolt M12 X 1,75 X 30Mm Cl8.8 R Wth Point	2												
94	6020250663-4	Helical Spring Ø27,3 X Ø40 X 700Mm Intermediary		1		1									
94	6020250666-9	Helical Spring Ø27,3 X Ø40 X 800Mm Intermediary			1		1								

## • Lateral Row W/Rippled Cutting Disc and Heavy Iron Compactation Wheel - Spacing 250mm



\* Item 3 - See page 61

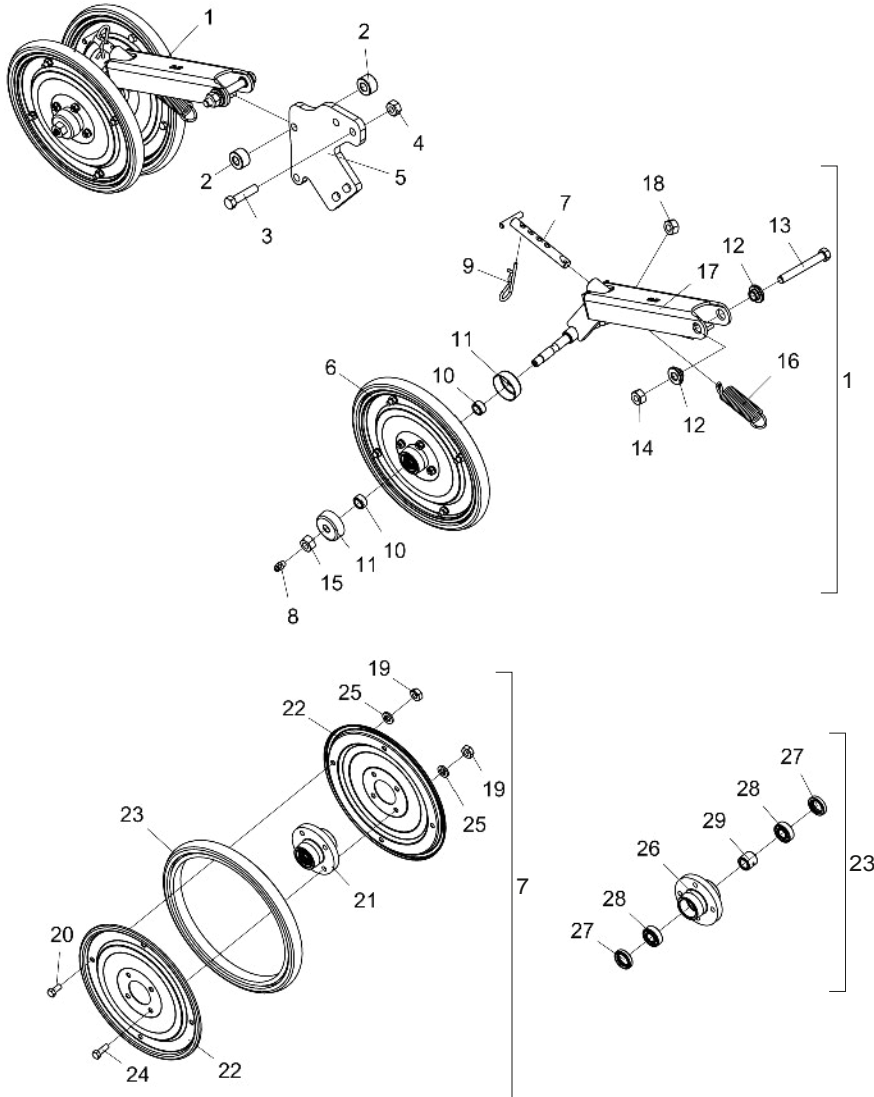
## • Table Lateral Row W/Rippled Cutting Disc and Heavy Iron Compaction Wheel - Spacing 250mm

Item	Code	Product description	All	Small Right	Small Left	Item	Code	Product description	All	Small Right	Small Left
1	2517012458-0	Small Right Lateral Row for Spacing 250mm		1		31	5096040002-7	Hub Internal Cap	2		
1	2517012386-0	Large Right Lateral Row Unit (Spde-A)			1	32	5352030056-9	Internal Left Scraper Of Disc	1		
2	5124010337-4	Complete Cart Of Rippled Coulter Disc Blade	1			33	5352030057-7	Internal Right Scraper Of Disc	1		
*3	5124010576-8	Row Of Left Heavy Iron Complete Compaction Wheel		1		34	6020310054-2	Hexagonal Head Bolt 3/8" X 1" 16F Unc1A Gr2 Rt	1		
*3	5124010575-0	Row Of Right Heavy Iron Complete Compaction Wheel			1	35	6020010406-7	Pressure Washer 3/8" Media Industry	1		
4	5566010260-3	Small Rod Of Spring Of 700Mm Complete	1			36	5024010075-1	Smooth Washer Ø10,3 X Ø25 X 2,00Mm	2		
5	6020310738-5	Hexagonal Nut 5/8" 11F Unc Gr5 Ch.1.1/16" Height 11,00Mm	1			37	5024010024-7	Smooth Washer Ø20 X Ø38 X 1,21Mm	6		
6	6020310760-1	Hexagonal Nut 5/8" 11F Unc Gr5 Ch.1.1/16" Height 15,00Mm	3			38	6020310746-6	Hexagonal Nut 3/8" 16F Unc Gr5 Ch.9/16" Height 8,50Mm	1		
7	5136015261-1	Fixation Plate Of Double Disc	2			39	6020317573-9	Allen Bolt M8 X 1,25 X 25mm Cl12.9 RT	12		
8	6020310754-7	Hexagonal Nut 1/2" 12F W Gr5 Ch.7/8" Height 12,00Mm	8			40	6020310454-8	Hexagonal Nut M8 X 1,25 Ma Cl8 Ch.13Mm H.6,50Mm	12		
9	6020310756-3	Hexagonal Nut 1/2" 12F W Gr5 Ch.3/4" Height 11,00Mm	2			41	6020010004-5	Pressure Washer M8 Media	12		
10	5124010372-2	Complete Cart Of Double Disc Fertilizer/Seed (Excentric) Special		1		42	2857398003-6	Coulter Plain Disc Blade 15 X 4,00 Hc Rd 80Mm + 6H Rd 8,7Mm R=57,5Mm + 6H Rd 6,9Mm	2		
10	5124010373-0	Left Cart Of Fertilizer/Seed Double Disc (Excentric) Special			1	43	5204010149-7	Left Disc Hub	1		
11	5572015584-1	Square Beam Of 50 X 1200Mm Complete	1			43	5204010150-0	Right Disc Hub	1		
12	6020010412-1	Pressure Washer 5/8" Media Industry	3			44	5232010076-3	Shaft Ø36 X 94Mm With Left Thread	1		
13	6020010410-5	Pressure Washer 1/2" Media Industry	10			44	5232010077-1	Shaft Ø36 X 94Mm With Right Thread	1		
14	5252040056-7	Cart Hitch	1			45	6020310797-0	Nut 3/4" 16F Unf Gr5 Ch.1.1/16" Height 13,00Mm	2		
15	6020311061-0	Hexagonal Head Bolt 1/2" X 3.1/2" 12F W Gr5 Rp	2			46	6020010513-6	Plain Washer Ø20 X Ø35 X 3Mm	2		
16	5024010059-0	Smooth Washer Ø16,5 X Ø29 X 1,21Mm	1			47	6020050641-6	Hub Cap	2		
17	6020311065-3	Hexagonal Head Bolt 1/2" X 4" 12F W Gr5 Rp	2			48	6020010095-9	Gascket Ring 047X 052X 2Mm	2		
18	5526010018-0	Separator Of Rowas			1	49	6020350268-3	Retainer Ø36,00 X Ø52,00 X 11,00Mm	2		
18	5526010035-0	Separator Of Rowas For Espacamento De 250Mm		2	1	50	6020350087-7	Bearing 30204	4		
19	6020050101-5	Cotterpin 1/8" X 1"	1			51	5204010148-9	Hub Of Ø136 X 54Mm	2		
20	5068010081-8	Clamp Of 84 X 64 X R.1/2" W	3			52	6020050101-5	Cotterpin 1/8" X 1"	2		
21	6010601280-9	Upper Lock Of Triple Spring	1			53	6020010289-7	Retaining Ring I-55	2		
22	6020311079-3	Hexagonal Head Bolt 5/8" X 3.1/2" 11F Unc1A Gr5 Rp	2			54	6020311038-6	Hexagonal Head Bolt 3/8" X 4" 16F Unc1A Gr2 Rp	4		
23	5080010539-8	Row Articulation Bushing	1			55	6020010406-7	Pressure Washer 3/8" Media Industry	4		
24	6010601347-3	Fixation Shank Of Coulter Disc	1			56	5124010099-5	Rippled Coulter Disc Row	1		
25	6020130100-1	Grease Fitting 1/4"	1			57	5324050014-7	Complete Adjustment Support Guide	2		
26	6020310593-5	Pin Ø5/8" X 46mm	1			58	6020310746-6	Hexagonal Nut 3/8" 16F Unc Gr5 Ch.9/16" Height 8,50Mm	4		
27	6010601172-1	Lower Support Of Rod (Small)	1			59	6020050101-5	Cotterpin 1/8" X 1"	1		
28	6020311082-3	Hexagonal Head Bolt 5/8" X 5.1/2" 11F Unc1A Gr5 Rp	1			60	6020130108-7	Grease Fitting 1/8"	1		
29	5530011577-1	Right Support Of Fertilizer And Seed Large Double Disc (Descentrado)		1		61	5530010406-0	Depth Regulator Support	1		
29	5530011576-3	Left Support Of Large Fertilizer/Seed Large Double Disc			1	62	6020310510-2	Heavy Elastic Pin Ø10 X 55Mm	1		
30	5204010159-4	Complete Right Hub For Limiter Ring(Coulter Disc Blade 15" X 4,00Mm)	1			63	6020010406-7	Pressure Washer 3/8" Media Industry	1		
30	5204010160-8	Complete Left Hub For Limiter Ring (Plain Disc 15" X 4,00Mm)	1			64	6020310472-6	Heavy Elastic Pin Ø6 X 55Mm	1		

## • Table Lateral Row W/Rippled Cutting Disc and Heavy Iron Compaction Wheel - Spacing 250mm

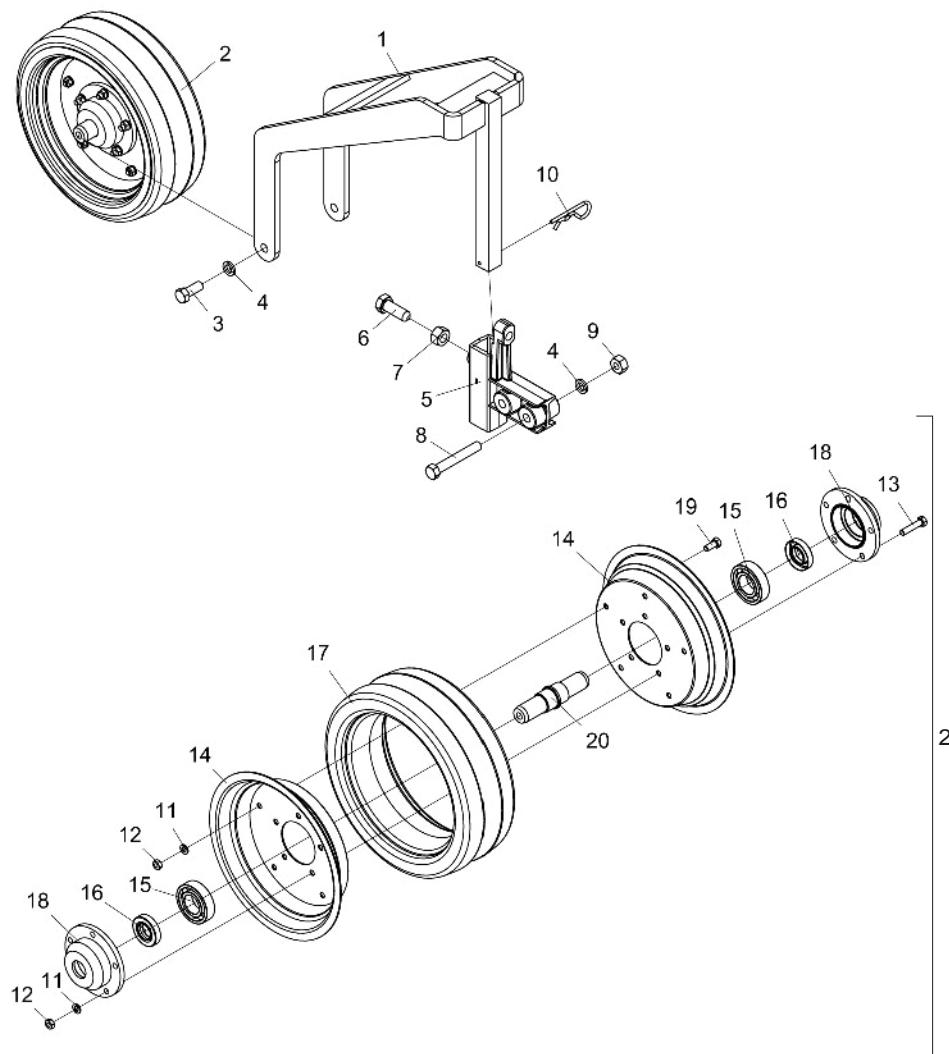
Item	Code	Product description	All	Small Right	Small Left	Item	Code	Product description	All	Small Right	Small Left
65	5432010181-9	French Head Pin Ø11,20 X 90Mm	1			100	6020310754-7	Hexagonal Nut 1/2" 12F W Gr5 Ch.7/8" Height 12,00Mm	2		
66	5080020787-5	Bushing Of Ø14 X Ø19 X 65Mm	1			101	6020010402-4	Pressure Washer 1/4" Media Industry	6		
67	5124010100-2	Cart W/Rippled Coulter Disc Blade	1			102	5024010161-8	Smooth Washer Ø7 X Ø18 X 2,00Mm	6		
68	6020311038-6	Hexagonal Head Bolt 3/8" X 4" 16F Unc1A Gr2 Rp	1			103	6020310742-3	Hexagonal Nut 1/4" 20F Unc Gr5 Ch.7/16" Height 5,50Mm	6		
69	6020310746-6	Hexagonal Nut 3/8" 16F Unc Gr5 Ch.9/16" Height 8,50Mm	1			104	6020310147-6	Bolt 1/4" X 3/4" 20F Unc1A Gr5 Rt	6		
70	5024010107-3	Smooth Washer Ø36 X Ø61 X 5,00Mm	1			105	5530014453-4	Left Support Of Scraper		1	
71	6020310822-5	Hexagonal Nut M10 X 1,50 Ma Cl8 Ch.17Mm H.8,00Mm	6			105	5530014452-6	Right Support Of Scraper			1
72	6020310980-9	Hexagonal Head Bolt M10 X 1,50 X 40Mm Cl8.8 Rt	6			106	6020310049-6	Hexagonal Head Bolt 1/2" X 2" 12F W Gr5 Rp	2		
73	3255397388-0	Rippled Plain Disc Blade 14 X 4,00 Hc Rd 80Mm + 6H Rd 10,3Mm D=115Mm Doble Bevel	1			107	6010600786-4	Deph Limiter Ring (40Mm)	1		
74	6020010394-0	Pressure Washer M10 Media	6			108	6020311160-9	French Head Bolt 3/8" X 1" 16F Unc1A Gr2 Rt	2		
75	5284010001-4	Flange Of Disc Hub	1			109	5352010048-9	Limiter Of Limiter Rim	1		
76	5530010405-2	Support Of Disc W/Hub	1			110	5024010068-9	Smooth Washer Ø13,3 X Ø35,5 X 3,00Mm	2		
77	6020010402-4	Pressure Washer 1/4" Media Industry	4			111	5024010075-1	Smooth Washer Ø10,3 X Ø25 X 2,00Mm	2		
78	6020130108-7	Grease Fitting 1/8"	1			112	5288010055-6	Left Limiter Ring With Scraper (Deph 40Mm)		1	
79	6020050640-8	Hub Cap	1			112	5288010054-8	Right Limiter Ring With Scaper (Deph 40Mm)			1
80	6020310797-0	Nut 3/4" 16F Unf Gr5 Ch.1.1/16" Height 13,00Mm	1								
81	5530160187-4	Support W/Shaft Of Disc	1								
82	6020350077-0	Bearing 44610/49	2								
83	6020050101-5	Cotterpin 1/8" X 1"	1								
84	6020350244-6	Retainer Ø35,00 X Ø58,00 X 10,00Mm	1								
85	5024010258-4	Smooth Washer Ø20 X Ø38,5 X 3,00Mm	1								
86	5204010090-3	Disc Hub	1								
87	6020190098-3	Gascket Ø50,3 X Ø73,5 X 1/64"	1								
88	6020311000-9	Hexagonal Head Bolt 1/4" X 1/2" 20F Unc1A Gr5 Rt	4								
89	6020390294-0	Lock Nma - Type "R" Ø3,5 X 67Mm(Special)	1								
90	5530016364-4	Lower Support Of Triple Spring	1								
91	6020250664-2	Helical Spring Ø43 X Ø59 X 700Mm External	1								
92	5566040144-9	Rod Of Spring De 935,5Mm	1								
93	6020310349-5	Hexagonal Head Bolt M12 X 1,75 X 30Mm Cl8.8 R Wth Point	2								
94	6020250663-4	Helical Spring Ø27,3 X Ø40 X 700Mm Intermediary	1								
95	5080011663-2	Fixation Support Of Spring Rod	1								
96	6020250662-6	Helical Spring Ø17,5 X Ø25,5 X 700Mm Internal	1								
Optional											
97	6020010406-7	Pressure Washer 3/8" Media Industry	2								
98	6020010410-5	Pressure Washer 1/2" Media Industry	2								
99	6020310746-6	Hexagonal Nut 3/8" 16F Unc Gr5 Ch.9/16" Height 8,50Mm	2								

## • Complete Compaction Wheel Type "V"



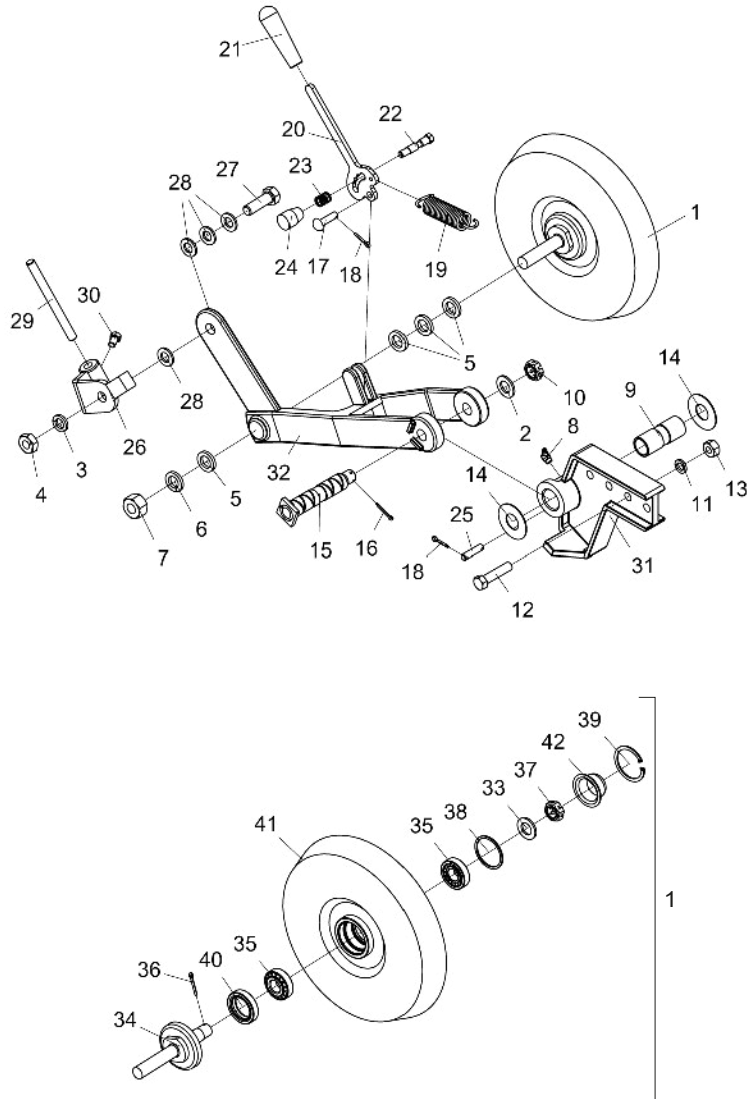
Item	Code	Product description	All
1	5124010413-3	Row Of Compaction Wheel Type "V" (Spd)	1
2	5080020772-7	Bushing Of Ø14,3 X Ø1.1/4" X 18,5Mm	2
3	6020312060-8	Hexagonal Head Bolt 1/2" X 2.1/4" 12F W Gr5 Rp	2
4	6020310809-8	Self-Locking Nut With Nylon 1/2" 12F W Gr5 Ch.3/4" H.15,50Mm	2
5	5530010827-9	Fixation Support Of Wheel	1
6	5498090024-2	Spare Compaction Wheel	2
7	5432060014-9	Handle 5/8" X 131Mm	1
8	6020130100-1	Grease Fitting 1/4"	2
9	6020390308-4	Lock Nma - Type "R" Ø4,5 X 80Mm	1
10	5080020710-7	Bushing Of Ø15 X Ø22,22 X 12Mm	4
11	5096010033-3	Hub Cap	4
12	5080020484-1	Bushing Of Ø13,1 X Ø31,5 X 12,5Mm	2
13	6020311065-3	Hexagonal Head Bolt 1/2" X 4" 12F W Gr5 Rp	1
14	6020310809-8	Self-Locking Nut With Nylon 1/2" 12F W Gr5 Ch.3/4" H.15,50Mm	1
15	6020310736-9	Hexagonal Nut 9/16" 18F Unf Gr5 Ch.7/8" Height 12,50Mm	1
16	6020250658-8	Helical Spring Ø21,5 X Ø28,5 X 95Mm	1
17	5530011808-8	Support "V" Wheel(Spd)	1
18	6020310737-7	Hexagonal Nut 9/16" 18F Rf/Esq Unf Gr5 Ch.7/8" Height 12,50Mm	1
19	6020310454-8	Hexagonal Nut M8 X 1,25 Ma Cl8 Ch.13Mm H.6,50Mm	16
20	6020311269-9	Hexagonal Head Bolt M8 X 1,25 X 20Mm Cl8.8 Rt	8
21	5204110018-4	Complete Hub Of Wheel	2
22	5288020025-9	Wheel Ring	4
23	6020010808-9	Rim 300 X 25Mm	2
24	6020310448-3	Hexagonal Head Bolt M8 X 1,25 X 25Mm Cl8.8 Rt	8
25	6020010004-5	Pressure Washer M8 Media	16
26	5204110017-6	Wheel Hub	2
27	6020350211-0	Retainer Ø22,00 X Ø35,00 X 6,70Mm	4
28	6020350871-1	Sphere Rigid Bearing 6202 (Skf-Nsk-Timken)	4
29	5080020655-0	Bushing Of Ø16 X Ø25 X 22Mm	2

## • Large Concave Depth Wheel W/Regulator Support



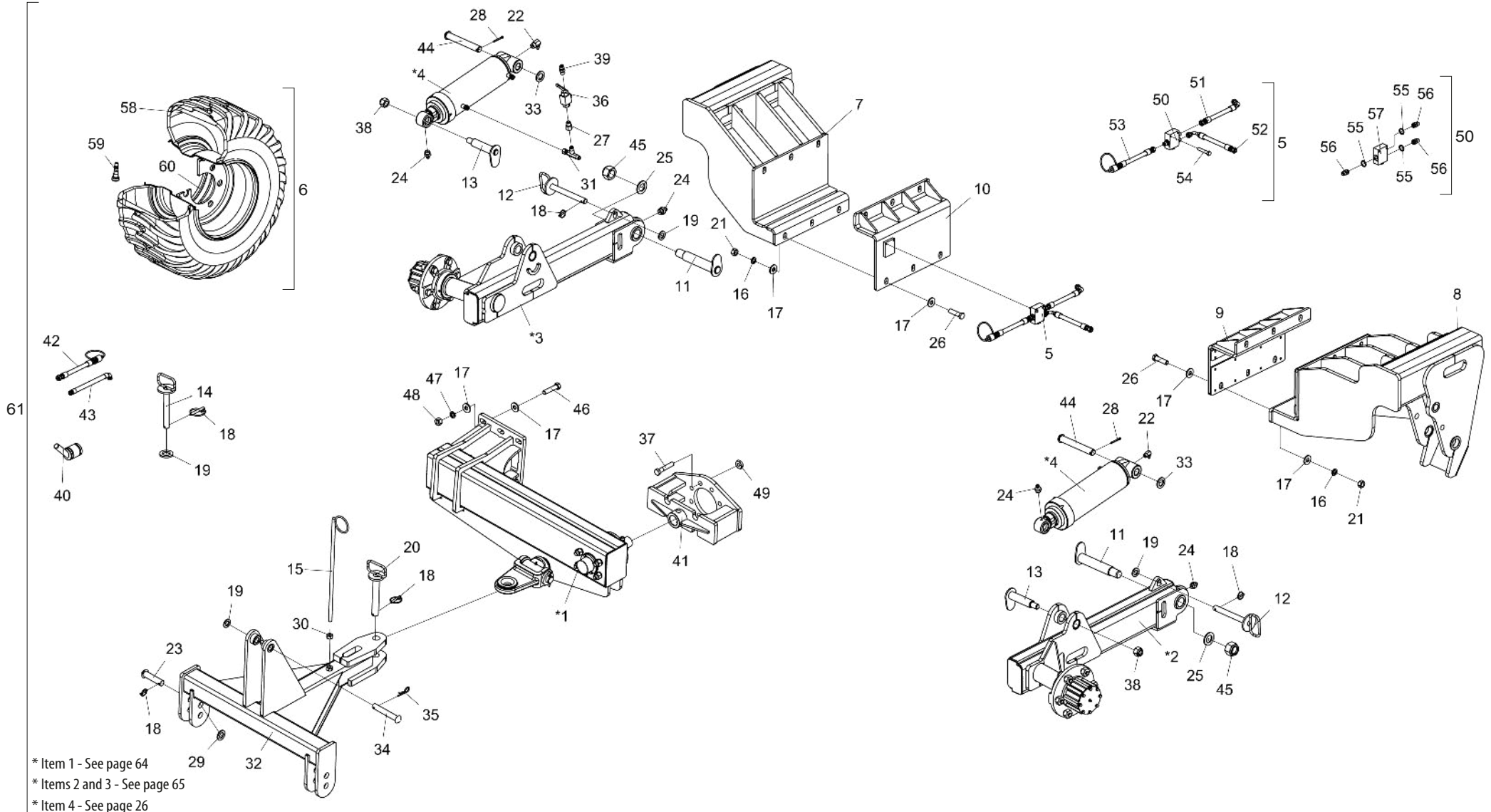
Item	Code	Product description	All
1	5530012143-7	Wheel Support (Spd-E)	1
2	5498100018-0	Complete Compaction Wheel Concav	1
3	6020310051-8	Hexagonal Head Bolt 1/2" X 1.1/4" 12F W Gr5 Rt	2
4	6020010410-5	Pressure Washer 1/2" Media Industry	4
5	5530180106-7	Support Of Regulator	1
6	6020311069-6	Hexagonal Head Bolt 5/8" X 1.3/4" 11F Unc1A Gr5 Rt Wth Point	1
7	6020310765-2	Hexagonal Nut 5/8" 11F Unc Gr5 Ch.15/16" Height 14,00Mm	1
8	6020311065-3	Hexagonal Head Bolt 1/2" X 4" 12F W Gr5 Rp	2
9	6020310754-7	Hexagonal Nut 1/2" 12F W Gr5 Ch.7/8" Height 12,00Mm	2
10	6020390308-4	Lock Nma - Type "R" Ø4,5 X 80Mm	1
11	6020010404-0	Pressure Washer 5/16" Media Industry	10
12	6020310744-0	Hexagonal Nut 5/16" 18F Unc Gr5 Ch.1/2" Height 6,50Mm	10
13	6020311017-3	Hexagonal Head Bolt 5/16" X 1.1/2" 18F Unc Gr2 Rt	5
14	5018010016-1	Rubber Wheel Rim	2
15	6020350007-9	Bearing 6206(Skf-Nsk-Timken)	2
16	6020350204-7	Retainer Ø25,00 X Ø47,00 X 10,00Mm	2
17	6020010813-5	Convex Compactation Rim 99-8	1
18	5204020047-9	Wheel Hub	2
19	6020312020-9	Hexagonal Head Bolt 5/16" X 3/4" 18F Unc1A Gr5 Rt	5
20	5080030028-0	Large Bushing Of Compactor Wheel	1

## • Complete Heavy Iron Compactation Wheel



Item	Code	Product description	All	Right	Left
1	5498010149-8	Iron Compaction Wheel (Heavy)	1		
2	6020010513-6	Plain Washer Ø20 X Ø35 X 3Mm	1		
3	6020010412-1	Pressure Washer 5/8" Media Industry	1		
4	6020310738-5	Hexagonal Nut 5/8" 11F Unc Gr5 Ch.1.1/16" Height 11,00Mm	1		
5	5024010302-5	Smooth Washer Ø20 X Ø32 X 4,75Mm	4		
6	6020010414-8	Pressure Washer 3/4" Media Industry	1		
7	6020310817-9	Hexagonal Nut 3/4" 16F Unf Gr5 Ch.1.1/4" Height 18,50Mm	1		
8	6020130110-9	Grease Fitting 1/8"	1		
9	5080011444-3	Large Bushing Of Iron Compactor Wheel	1		
10	6020310797-0	Nut 3/4" 16F Unf Gr5 Ch.1.1/16" Height 13,00Mm	1		
11	6020010410-5	Pressure Washer 1/2" Media Industry	2		
12	6020312060-8	Hexagonal Head Bolt 1/2" X 2.1/4" 12F W Gr5 Rp	2		
13	6020310754-7	Hexagonal Nut 1/2" 12F W Gr5 Ch.7/8" Height 12,00Mm	2		
14	5024010560-5	Smooth Washer Ø26 X Ø58 X 1,52Mm	2		
15	5432010372-2	Articulation Pin	1		
16	6020050101-5	Cotterpin 1/8" X 1"	1		
17	6020311241-9	French Head Pin Ø9,8 X 33Mm	1		
18	6020050099-0	Cotterpin 1/8" X 3/4"	3		
19	6020250658-8	Helical Spring Ø21,5 X Ø28,5 X 95Mm	1		
20	5008010230-2	Pressure Adjustment Handle	1		
21	6020050724-2	Rubber Cable	1		
22	5420010078-9	Hexagonal Head Bolt Ø1/2" X 63Mm 16F Unc 1A R.3/8"	1		
23	6020250577-8	Helical Spring Ø12,5 X Ø16,5 X 19Mm	1		
24	6020430203-3	Handle Pma 330 Thread 3/8" X 16 Fios	1		
25	5432010373-0	Pin Ø3/8" X 40mm	1		
26	5530014462-3	Left Cleaner Axis Support		1	
26	5530014461-5	Right Cleaner Axis Support			1
27	6020310180-8	Hexagonal Head Bolt 5/8" X 2" 11F Unc1A Gr5 Rp	1		
28	5024010154-5	Smooth Washer Ø16 X Ø29 X 3,00Mm	4		
29	5352010053-5	Scraper Of 150Mm	1		
30	6020311030-0	Hexagonal Head Bolt 3/8" X 5/8" 16F Unc1A Gr2 Rt	1		
31	5530014456-9	Fixation Support Of Wheel	1		
32	5530014454-2	Right Support Of Iron Wheel		1	
32	5530014455-0	Left Support Of Iron Wheel			1
33	6020010513-6	Plain Washer Ø20 X Ø35 X 3Mm	1		
34	5232010977-9	Complete Shaft Of Steel Compactation Wheel	1		
35	6020350087-7	Bearing 30204	2		
36	6020050101-5	Cotterpin 1/8" X 1"	1		
37	6020310797-0	Nut 3/4" 16F Unf Gr5 Ch.1.1/16" Height 13,00Mm	1		
38	6020010095-9	Gasket Ring 047X 052X 2Mm	1		
39	6020010289-7	Retaining Ring I-55	1		
40	6020350268-3	Retainer Ø36,00 X Ø52,00 X 11,00Mm	1		
41	5498010150-1	Iron Compaction Wheel (Heavy)	1		
42	6020050641-6	Hub Cap	1		

## • Lateral Transport Kit SPDE-A (Optional)



\* Item 1 - See page 64

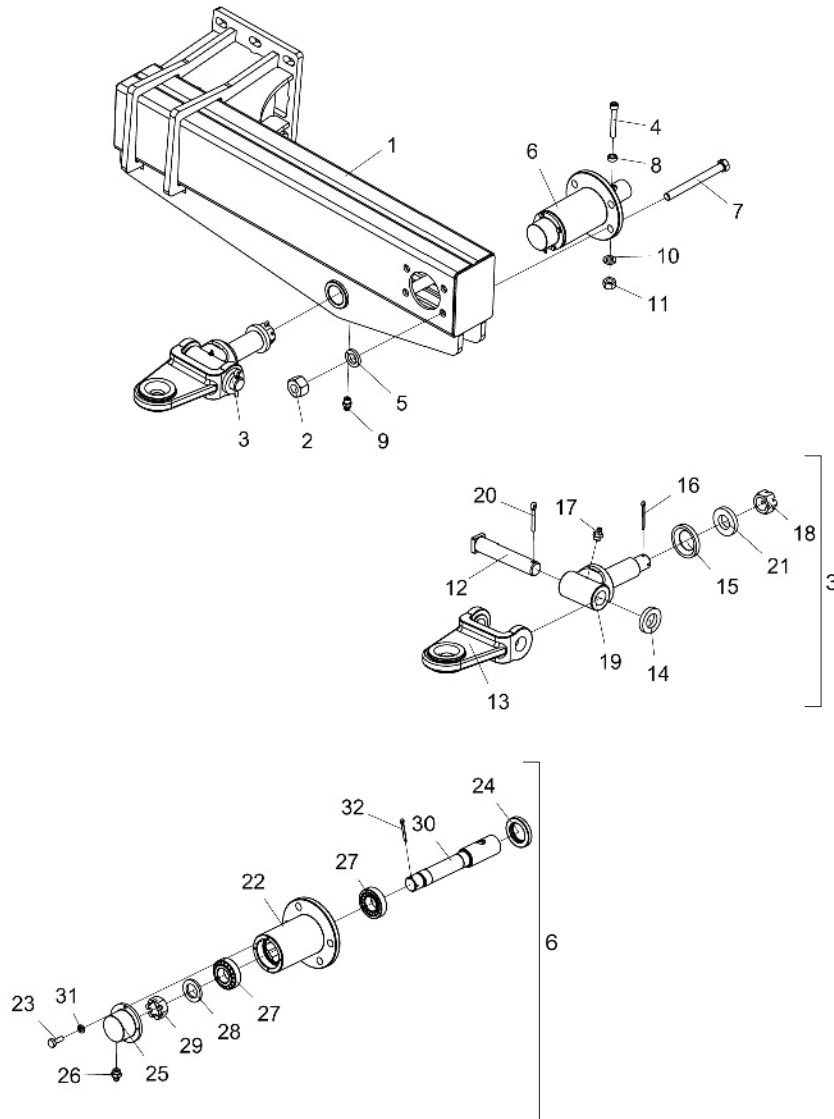
\* Items 2 and 3 - See page 65

\* Item 4 - See page 26

## • Table Lateral Transport Kit SPDE-A (Optional)

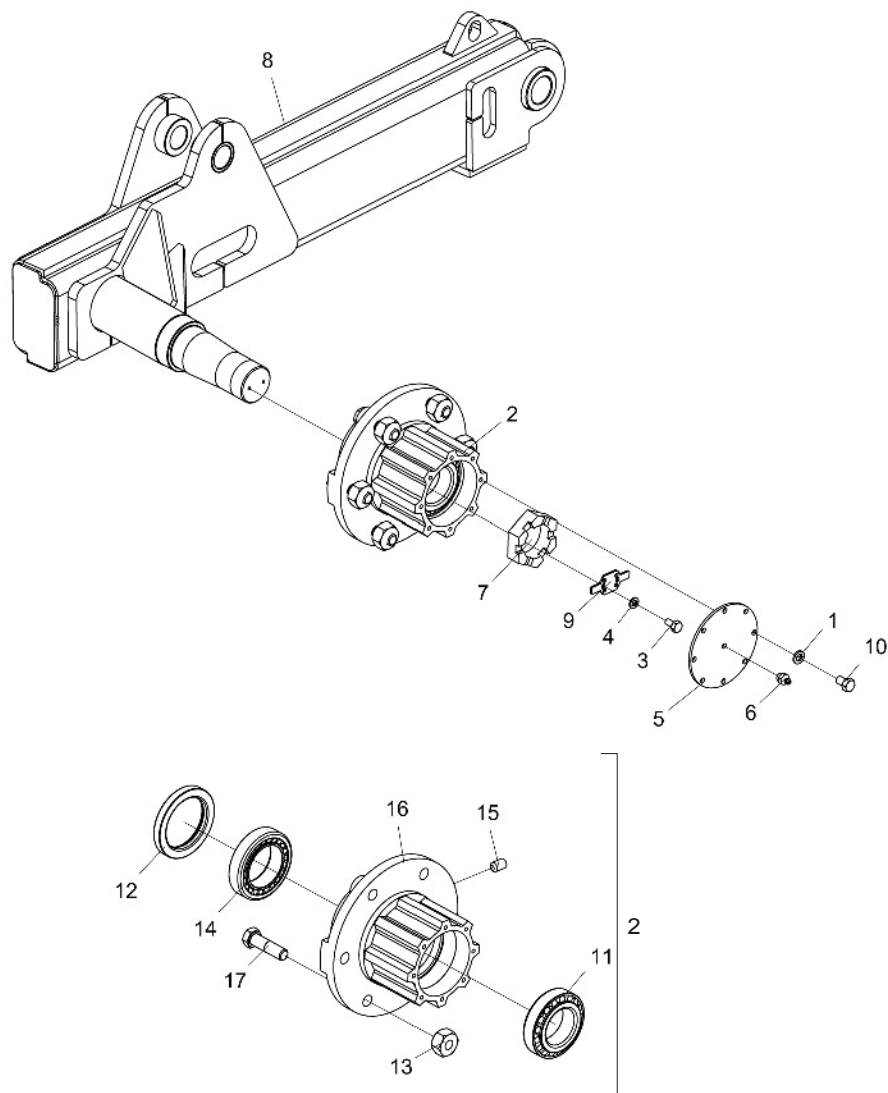
Item	Code	Product description	All	Item	Code	Product description	All
*1	5530015201-4	Complete Transport Support	1	37	6020312005-5	Hexagonal Head Bolt 3/4" X 4" 16F Unf1A Gr5 Rp	8
*2	5530015182-4	Complete Left Support Of Wheel	1	38	6020310804-7	Self-Locking Nut With Nylon 1" 14F Uns Gr5 Ch.1.1/2" H.28,50Mm	2
*3	5530015183-2	Complete Right Support Of Wheel	1	39	5412010099-0	Nipple R.1/2" Npt X R.3/4" Unf X 50Mm With Hexagonal 7/8"	1
*4	6020055904-8	Hydraulic Cylinder "O.D" Ø2" X Ø5" X 256Mm(Course) X 605Mm(Closed)	2	40	5138010022-7	Wrench De 1.1/2"	1
5	5528010956-7	Hydarulic System SPDEA Lateral Transport W/Hydraulic Wheel Support	1	41	5530015192-1	Fixation Support Of Drawbar	1
6	5498100070-9	Complete Wheel 400X60 14 Ply	2	42	5372011142-6	Hose Ø3/8" X 8000Mm With 1Trg And 1Trf With Male Quickly Coupling	1
7	5530015174-3	Small Support Of Wheel	1	43	6020250688-0	High Pressure Hydraulic Hose 3/8" X 3000Mm With 1Tcg And 1Trg (Sae 100R2 At -	1
8	5530015173-5	Large Support Of Wheel	1	44	5432010075-8	French Head Pin Ø30,53 X 205Mm	2
9	5530015175-1	Fixation Support Of Large Wheel	1	45	6020311230-3	Self-Locking Nut With Nylon 1.1/2" 12F Unf Gr5 Ch.2.1/4" H.39,00Mm	2
10	5530015176-0	Articulation Support Of Small Wheel	1	46	6020311098-0	Hexagonal Head Bolt 3/4" X 3.1/2" 10F Unc1A Gr5 Rp	6
11	5432010484-2	Pin Of Ø45,3 X 205Mm Complete	2	47	6020010414-8	Pressure Washer 3/4" Media Industry	6
12	5432060023-8	Pin Ø1" X 210Mm	2	48	6020310770-9	Hexagonal Nut 3/4" 10F Unc Gr5 Ch.1.7/32" Height 18,50Mm	6
13	5432010482-6	Pin Of Ø37,5 X 140Mm Complete	2	49	6020310745-8	Hexagonal Nut 3/4" 16F Unf Gr5 Ch.1.1/4" Height 11,00Mm	8
14	5432010486-9	Pin Ø1" X 197Mm	2	50	5224010106-8	Oil Distributor	1
15	5530060020-3	Hoses Support	2	51	6020251013-5	High Pressure Hydraulic Hose 3/8" X 900Mm With 1Tcg And 1Trg (Sae 100R2 At - P.T.4800Psi)	1
16	6020010403-2	Pressure Washer M20 Media	12	52	6020250918-8	High Pressure Hydraulic Hose 3/8" X 3200Mm With 1Tcg 90° And 1Trg (Sae 100R2 At -	1
17	5024010007-7	Smooth Washer Ø20,3 X Ø46,5 X 4,75Mm	36	53	5372011142-6	Hose Ø3/8" X 8000Mm With 1Trg And 1Trf With Male Quickly Coupling	1
18	6020390293-2	Lock Ø5,75 X 40Mm	7	54	6020310986-8	Hexagonal Head Bolt 5/16" X 1.3/4" 18F Unc1A Gr5 Rp	2
19	5024010039-5	Smooth Washer Ø26,2 X Ø44 X 4,75Mm	5	55	6020010022-3	O' Ring 2-114 N3006-90Nbr (15,54)	3
20	5432010025-1	Pin Ø1.1/4" X 215Mm	1	56	5412010035-4	Nipple R.3/4" Unf X R.3/4" Unf X 38Mm With Hexagonal 7/8"	3
21	6020311265-6	Hexagonal Nut M20 X 2,50 Ma Cl8 Ch.30Mm H.16,00Mm	12	57	6020430204-1	Flow Divider Valve Hfb030731 - Hydraulic Designer	1
22	6020130112-5	Grease Fitting 1/8"	2	58	6020310415-7	Tyre 400/60 15.5/14 Traction	1
23	6020310660-5	Pin Ø28 x 105mm	2	59	6020410040-6	Tyre Valve Tr-618 A	1
24	6020130108-7	Grease Fitting 1/8"	4	60	6020010817-8	Rim Ag 13,00 X 15.1/2"	1
25	5024010130-8	Smooth Washer Ø39 X Ø66 X 4,75Mm(Galvanised)	2	61	KCJTRANLSPDEA	Lateral Transport Kit (Semi-Hydraulic) SPDEA	1
26	6020311006-8	Hexagonal Head Bolt M20 X 2,50 X 75Mm Cl8.8 Rp	12				
27	5412010104-0	Nipple R.1/2"(G) X 3/4" Unf X 45Mm With Hexagonal 1"	1				
28	6020050116-3	Cotterpin 1/4" X 2"	2				
29	5024010192-8	Smooth Washer Ø30 X Ø52 X 4,75Mm(Galvanised)	2				
30	6020310760-1	Hexagonal Nut 5/8" 11F Unc Gr5 Ch.1.1/16" Height 15,00Mm	2				
31	5412050018-2	"T" Nipple	1				
32	5084010236-7	Lifting Hitch Drawbar	1				
33	5024010061-1	Smooth Washer Ø33,5 X Ø53,5 X 4,75Mm	2				
34	5432010092-8	Pin Ø1" X 150mm	1				
35	6020390308-4	Lock Nma - Type "R" Ø4,5 X 80Mm	1				
36	6020430194-0	Sphere Valve 1/2" Npt Stauff: Bbvm20080200M / Gemels 1111Ab-	2				

## • Complete Transport Support



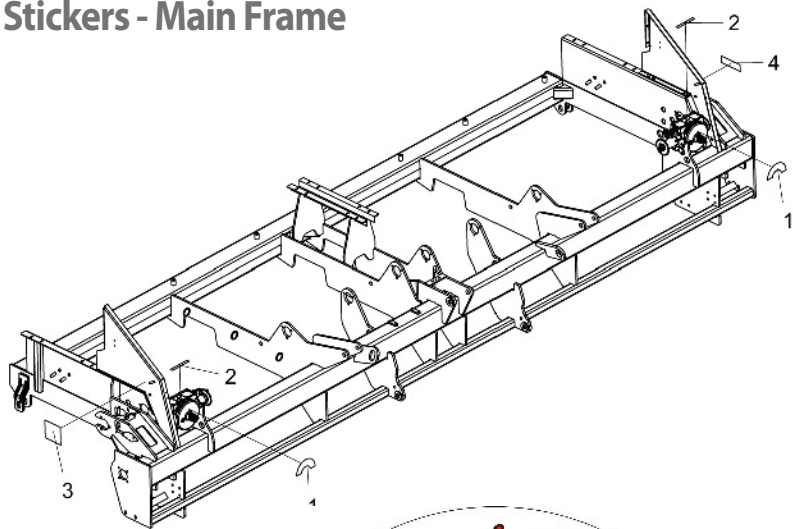
Item	Code	Product description	All
1	5530015200-6	Support Of Transport	1
2	6020310770-9	Hexagonal Nut 3/4" 10F Unc Gr5 Ch.1.7/32" Height 18,50Mm	4
3	5332010084-0	Complete Hitch Shackle	1
4	6020310110-7	Allen Bolt C/C 1/2" X 3.1/2" 12F W C112.9 Rp (Phosphated)	1
5	6020010414-8	Pressure Washer 3/4" Media Industry	4
6	5204010425-9	Hub	1
7	6020311117-0	Hexagonal Head Bolt 3/4" X 8" 10F Unc1A Gr5 Rp	4
8	5080020168-0	Bushing Of Ø13,49 X Ø7/8" X 10Mm	1
9	6020130100-1	Grease Fitting 1/4"	1
10	6020010410-5	Pressure Washer 1/2" Media Industry	1
11	6020310756-3	Hexagonal Nut 1/2" 12F W Gr5 Ch.3/4" Height 11,00Mm	1
12	5432040003-4	Square Head Pin Ø37,5 X 190Mm	1
13	6010602368-1	Support Type "U" Of Shackle	1
14	5024010217-7	Smooth Washer Ø39 X Ø68 X 12,00Mm	1
15	5024010635-0	Washer De Ø52,6 X Ø87 X 12,00Mm	1
16	6020050118-0	Cotterpin 1/4" X 2.1/2"	1
17	6020130108-7	Grease Fitting 1/8"	1
18	6020310857-8	Nut 1.1/2" 12F Unf Gr2 Ch.2" Height 30,00Mm	1
19	5252010197-7	External Hitch Of Shackle	1
20	6020050122-8	Cotterpin 3/8" X 2.1/2"	1
21	5024010332-7	Smooth Washer Ø39 X Ø75 X 12,50Mm	1
22	5204010426-7	Hub Of Balanceiro Support	1
23	6020310016-0	Hexagonal Head Bolt 1/4" X 3/4" 20F Unc1A Gr5 Rt	4
24	6020350206-3	Retainer Ø50.80 X Ø81,00 X 11.90Mm	1
25	5538010019-2	Cover Of Wheel Hub	1
26	6020130108-7	Grease Fitting 1/8"	1
27	6020350068-0	Bearing 32208	2
28	5024010286-0	Smooth Washer Ø38,4 X Ø61 X 6,00Mm	1
29	5456020009-1	Nut 1.1/2" 12F	1
30	5232011515-9	Shaft Hub	1
31	6020010402-4	Pressure Washer 1/4" Media Industry	4
32	6020050116-3	Cotterpin 1/4" X 2"	1

## • Wheel Support



Item	Code	Product description	All	Right	Left
1	6020010404-0	Pressure Washer 5/16" Media Industry	8		
2	5204010289-2	Wheel Hub	1		
3	6020311000-9	Hexagonal Head Bolt 1/4" X 1/2" 20F Unc1A Gr5 Rt	2		
4	6020010402-4	Pressure Washer 1/4" Media Industry	2		
5	5538010023-0	Hub Cover	1		
6	6020130108-7	Grease Fitting 1/8"	1		
7	5456020010-5	Nut 2.1/2" 12F	1		
8	5530015185-9	Right Support Of Wheel		1	
8	5530015184-0	Left Support Of Wheel			1
9	5558010080-4	Lock(Large)	1		
10	6020311020-3	Hexagonal Head Bolt 5/16" X 1/2" 18F Unc1A Gr2 Rt	8		
11	6020350855-0	Bearing K-3982 / K-3920 (First Line)	1		
12	6020350280-2	Retainer Ø87,30 X Ø120,80 X 14,30Mm	1		
13	6020310803-9	Conic Hexagonal Nut 3/4" 16F Unf Gr5 Ch.1.1/2" Height 22,00Mm	6		
14	6020350854-1	Bearing K-33287 / K-33462 (First Line)	1		
15	6020310096-8	Allen Bolt S/C 5/16" X 1/2" 18F Unc1A Cl12.9 Rt (Phosphated)	2		
16	5204010037-7	Wheel Hub (Spare)	1		
17	6020311106-4	Hexagonal Head Bolt 3/4" X 2.3/4" 16F Unf1A Gr5 Rp	6		

## • Stickers - Main Frame



Item 1



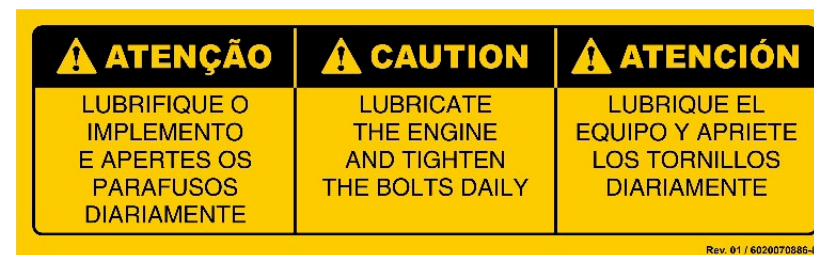
Item 3

Item	Code	Product description	All
1	6020070838-8	Sticker Speed Box (Easy/Precise/Secure) (200 X 100Mm)	2
2	6020070301-7	Sticker For Fertilizer Hopper Speed Box	2
3	5206010307-0	Sticker Of Gear And Chains Warning (145 X 150Mm)	1
4	6020070886-8	Sticker Lubricate And Retighten (58 X 195Mm)	1

**ADUBO - FERTILIZER - ABONO**

6020070301-7

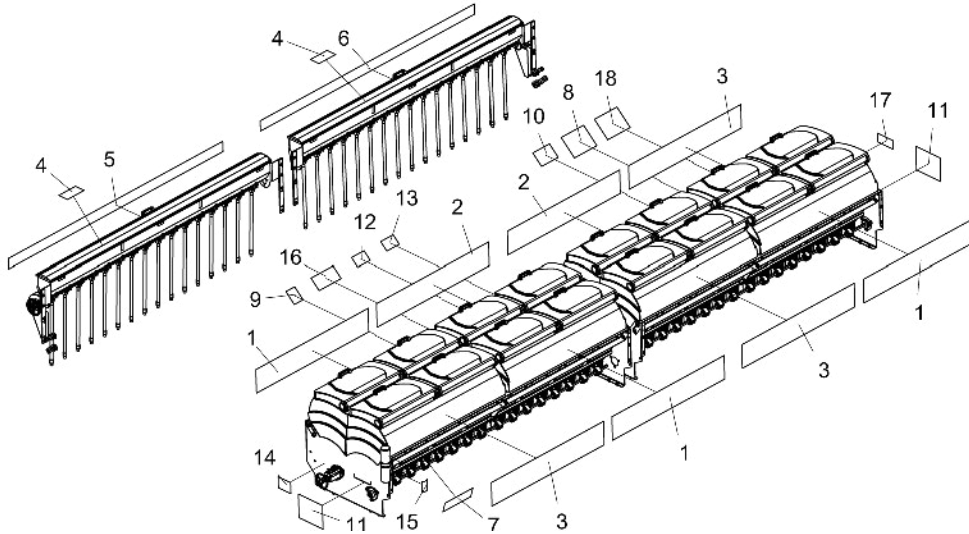
Item 2



Rev. 01 / 6020070886-8

Item 4

## • Stickers - Deposit



Item	Code	Product description	All	Without Pasture Seed Box	With Pasture Seed Box
1	6020071655-0	Sticker Baldan (230 X 1350Mm)		3	2
2	6020071721-2	Sticker 7000 (230 X 1350Mm)		2	
3	6020071662-3	Sticker Spde-A Plastic Box (230 X 1350Mm)		3	2
4	5206010163-9	Sticker Psture Seed Distribution Table (100 X 200Mm)			1
5	6020071572-4	Sticker Baldan Pasture Seed Hopper (100 X 2574Mm)			1
6	6020071571-6	Sticker Spde-A Speed Box 7000 "Pasture Seed Hopper" (100 X 2574Mm)			1
7	6020071650-0	Sticker Seed Distribution Table Spdea (100 X 335Mm)	1		
8	6020071653-4	Sticker Fertilizer Distribution Table Spdea 31/20 Teeth Spring Pace 1" (205	1		
9	5206010278-3	Sticker For Cleaning The Fertilizer Hopper (105 X 130Mm)	1		
10	5206010304-6	Sticker Change Of Oil For Speed Box(135 X 200Mm)	1		
11	6020070790-0	Sticker Logotype Baldan (230 X 280Mm)	1		
12	5206010310-0	Sticker Disc Warning (150 X 95Mm)	1		
13	5206010308-9	Sticker Hydraulic Hoses Warning(150 X 95Mm)	1		
14	5206010309-7	Sticker Platform Warning (107 X 145Mm)	1		
15	5206010221-0	Sticker Instruction Manual Warning (100 X 160Mm)	1		
16	5206010285-6	Sticker Speed Box Transmission System (125 X 265Mm)	1		
17	5206010311-9	Sticker Row Marker Warning (180 X 100Mm)	1		
18	6020071652-6	Sticker Fertilizer Distribution Table Spdea 20/31 Teeth Spring Pace 1" (205	1		



Item 1



Item 2



Item 3



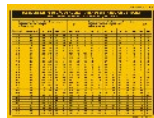
Item 4



Items 5 and 6



Item 7



Item 8



Item 9



Item 10



Item 11



Item 12



Item 13



Item 14



Item 15



Item 16

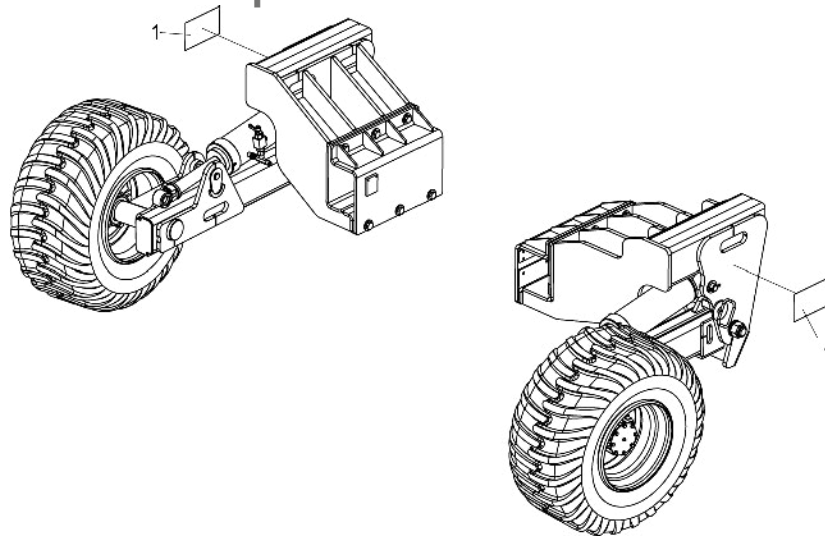


Item 17



Item 18

## • Stickers - Lateral Transport



Item	Code	Product description	All
1	6020071775-1	Sticker Warning Of Machine Handling Spde-A 7000 (130 X 210Mm)	2

ATENÇÃO	CAUTION	ATENCIÓN
<p>Não transporte a semeadora, carregada, pois poderá danificar o equipamento. Recomendamos abastecer o soloite no local de trabalho.</p> <p>Quando elevar as operações de abastecimento, não permita que pessoas se mantenham muito próximas ou sobre a semeadora, isto pode ocasionar acidentes graves ou fatais.</p> <p>Mantenha o regulador de pressão do transporte lateral fechado quando o equipamento estiver em funcionamento. Caso esse procedimento não seja efetuado, o equipamento poderá ser danificado.</p>	<p>Do not transport the seed drill loaded, as this procedure may damage the equipment. We recommend fueling only in the work site.</p> <p>When performing a fuelling operation, do not let people to stay close or on the seed drill. This can cause serious or fatal accidents.</p> <p>Keep the valve of the side transport, piston closed when the equipment is in operation. If this procedure is not performed, the equipment may be damaged.</p>	<p>No transporte la sembradora cargada, pues podrá dañar el equipo. Recomendamos abastecer el equipo solamente en el local de trabajo.</p> <p>Al proceder operaciones de abastecimiento, no permita que personas se mantengan muy cerca o arriba de la sembradora, esto puede provocar accidentes graves o fatales.</p> <p>Mantenga el regulador del cilindro de transporte lateral cerrado cuando el equipo está en funcionamiento. Caso ese procedimiento no sea efectuado, el equipo podrá sufrir daños.</p>

Rev. 00 | 6020071775-1

Item 1





Avenida Baldan, 1500  
Nova Matão  
15.993-900  
Matão/SP - Brasil  
sac@baldan.com.br  
export@baldan.com.br

+55 16 3221 6500  
[baldan.com.br](http://baldan.com.br)