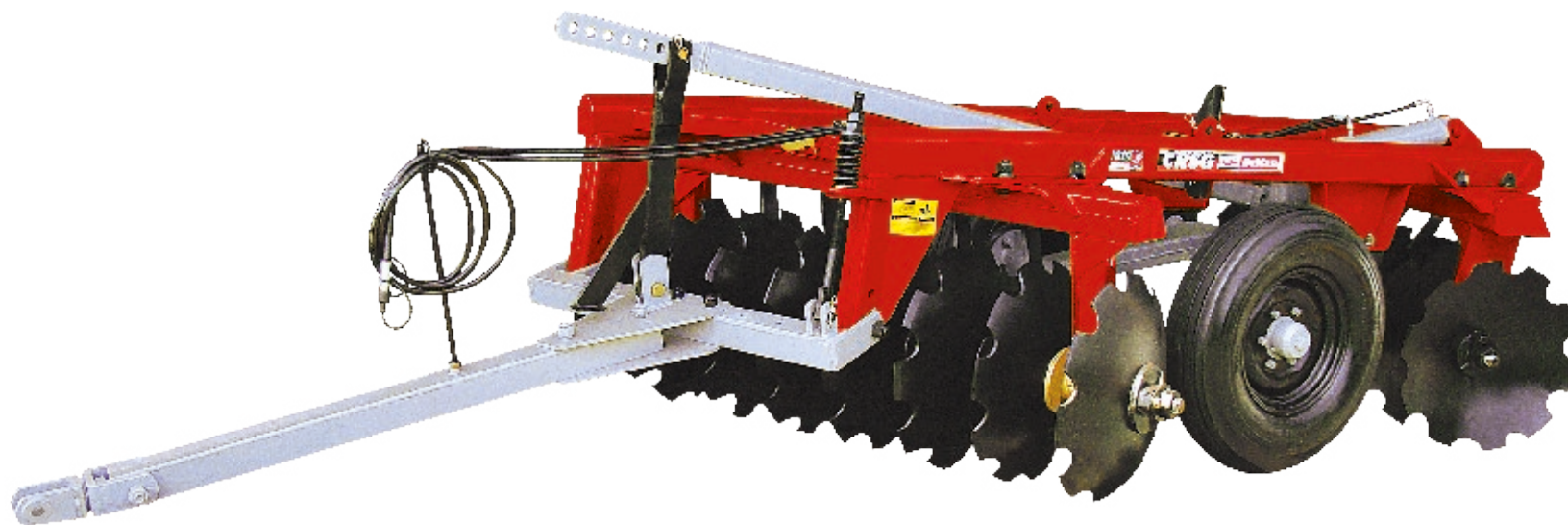


# Parts Catalog



## CRSG/CRSG-L

Wheel Type OffSet Disc Harrow / (L)



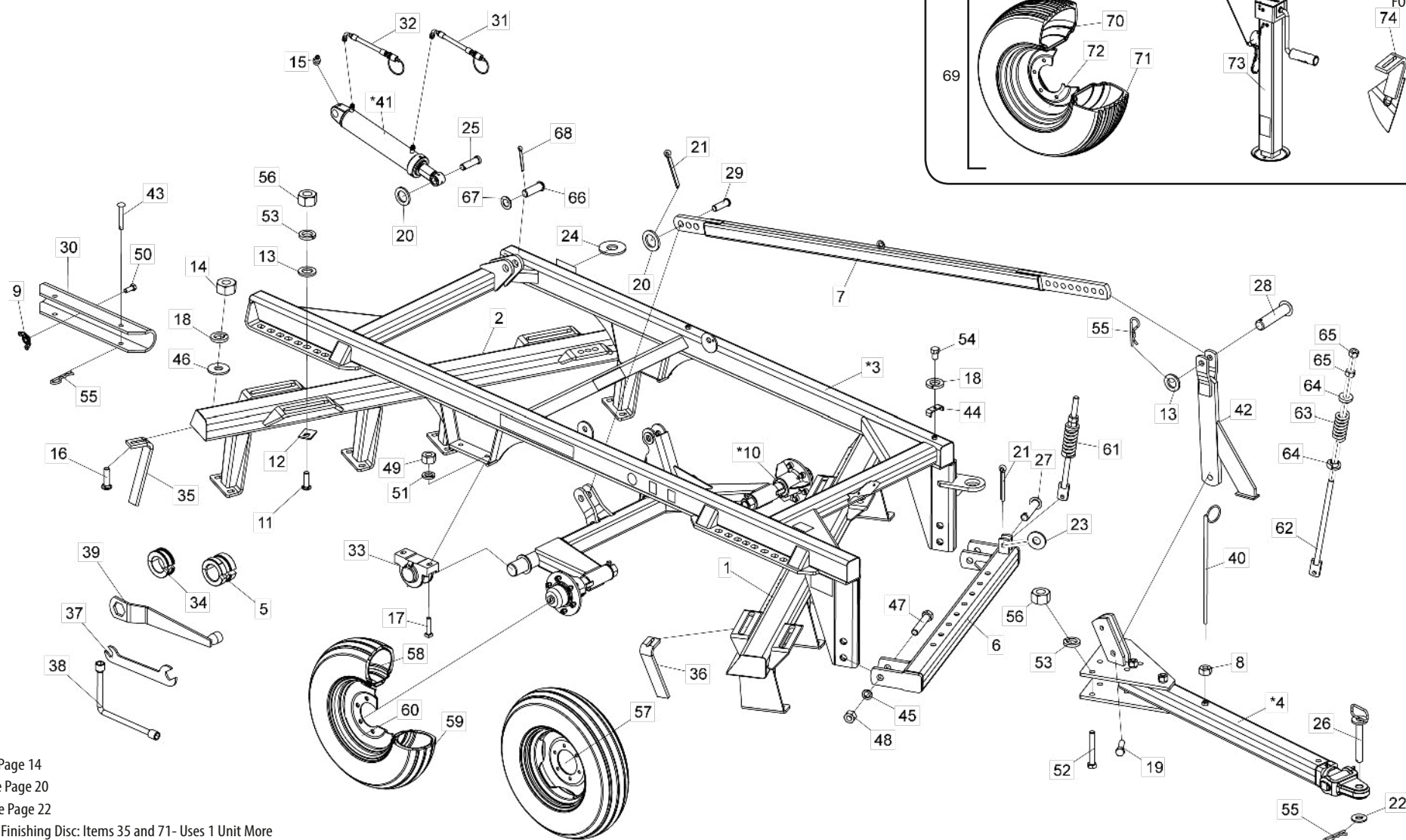
**Baldan**



## ▪ Index

<i>CRSG 12 to 28 Discs</i> .....	4
<i>Table CRSG 12 to 28 Discs</i> .....	5-6
<i>CRSG 32 to 48 Discs</i> .....	7
<i>Table CRSG 32 to 48 Discs</i> .....	8-9
<i>CRSG-L</i> .....	10
<i>Table CRSG-L</i> .....	11
<i>Complete Drawbar CRSG 12 to 16 Discs and CRSG-L</i> .....	14
<i>Complete Drawbar 18 to 28 Discs</i> .....	14
<i>Complete Drawbar CRSG 32 to 48 Discs</i> .....	14
<i>Discs Section CRSG 12 to 28 Discs</i> .....	15
<i>Discs Section CRSG 32 to 48 Discs</i> .....	16
<i>Discs Section CRSG-L</i> .....	17
<i>Bearing (Grease)</i> .....	19
<i>Bearing (Oil) Axial</i> .....	19
<i>Complete Articulation Shaft 12 to 28 Discs</i> .....	20
<i>Complete Wheel Shaft 12 to 28 Discs</i> .....	20
<i>Complete Wheel Shaft 32 to 48 Discs</i> .....	21
<i>Complete Wheel Shaft (Special Wheel) 32 to 48 Discs</i> .....	21
<i>Hydraulic Cylinder for CRSG 12 to 28 Discs e CRSG-L</i> .....	22
<i>Hydraulic Cylinder for CRSG 32 to 48 Discs</i> .....	22
<i>Stickers</i> .....	23
<b>NUMERICAL INDEX</b> .....	<b>24-25</b>

## • CRSG 12 to 28 Discs



\* Item 4 - See Page 14

\* Item 10 - See Page 20

\* Item 41 - See Page 22

For Harrow w/ Finishing Disc: Items 35 and 71- Uses 1 Unit More

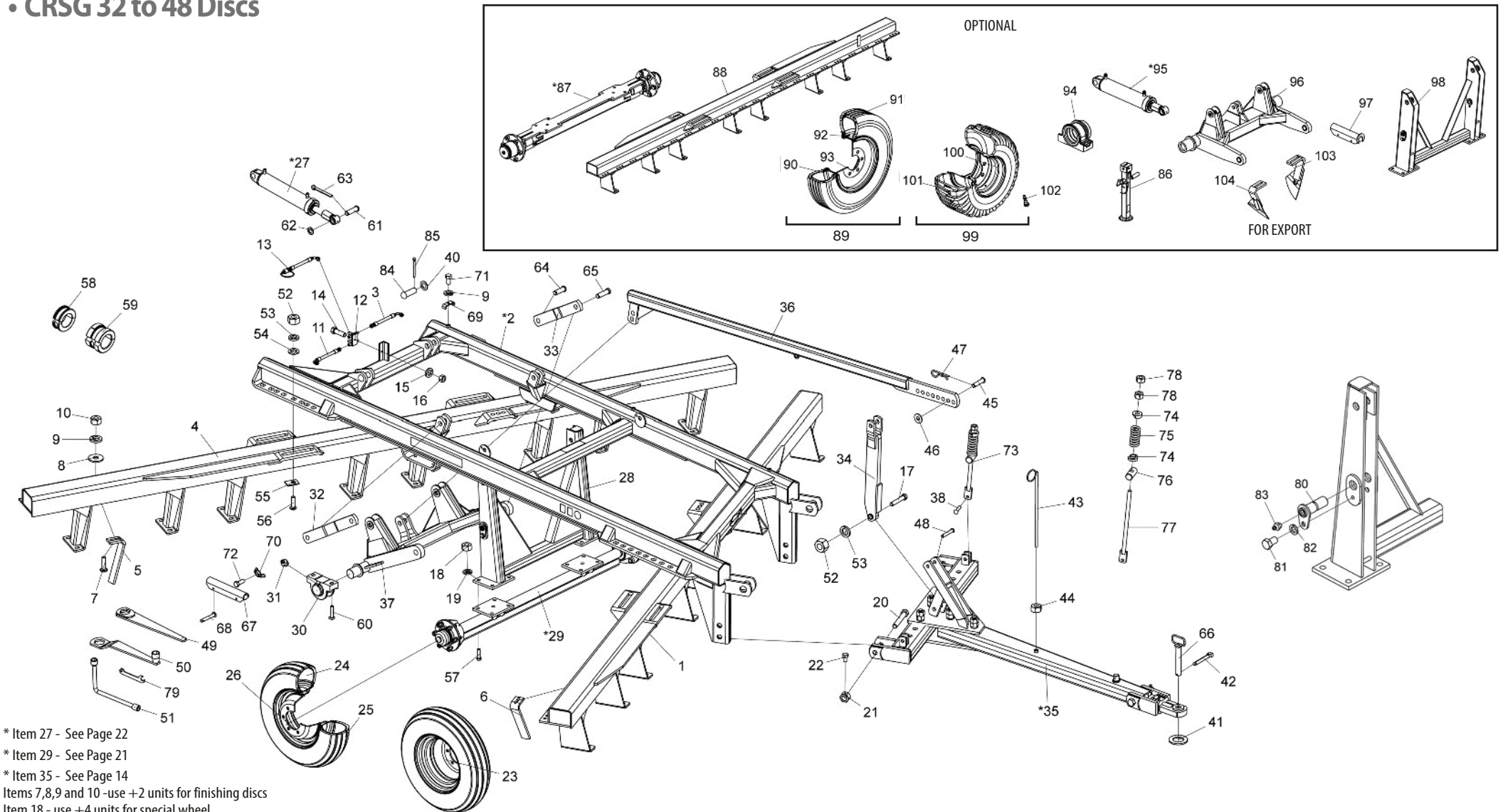
## • Table CRSG 12 to 28 Discs

Item	Code	Product Description									Item	Code	Product Description											
			All	CRSG 12	CRSG 14	CRSG 16	CRSG 18	CRSG 20	CRSG 22	CRSG 24				CRSG 28	All	CRSG 12	CRSG 14	CRSG 16	CRSG 18	CRSG 20	CRSG 22	CRSG 24	CRSG 28	
1	5022090005-0	Complete Front Gang		1								*10	5232040015-5	Complete Shaft Of Articulation Wheel					1	1	1	1	1	
1	5022010959-0	Complete Front Gang			1							11	6020311195-1	French Head Bolt 1" X 3.1/4" 8F Unc1A Gr5 Rp Special	8									
1	5022010961-2	Complete Front Gang				1						12	5558210003-8	Bolt Lock	8									
1	5022090449-8	Complete Front Gang					1					13	5024010039-5	Smooth Washer Ø26,2 X Ø44 X 4,75Mm	7									
1	5022090019-0	Complete Front Gang						1				14	6020310754-7	Hexagonal Nut 1/2" 12F W Gr5 Ch.7/8" Height 12,00Mm	12	16	20	20	20	24	28	36		
1	5022010969-8	Complete Front Gang							1			14	6020310754-7	Hexagonal Nut 1/2" 12F W Gr5 Ch.7/8" Height 12,00Mm	20	24	28	32	36	40	44	52		
1	5022090029-8	Complete Front Gang								1		15	6020130108-7	Grease Fitting 1/8"	6	6	6	4	4	4	4	4	4	
1	5022090034-4	Complete Front Gang									1	16	6020310144-1	French Head Bolt 1/2" X 2" 12F W Gr2 Rp Special (Export)	12	16	20	20	20	24	28	36		
2	5022090006-9	Complete Rear Gang		1								16	6020310144-1	French Head Bolt 1/2" X 2" 12F W Gr2 Rp Special (Export)	20	24	28	32	36	40	44	52		
2	5022010960-4	Complete Rear Gang			1							17	6020310242-1	Square Head Bolt 3/4" X 3.1/2" 10F Unc1A Gr5 Rp	4									
2	5022010962-0	Complete Rear Gang				1						18	6020010410-5	Pressure Washer 1/2" Media Industry	14	18	22	22	22	26	30	38		
2	5022090450-1	Complete Rear Gang					1					18	6020010410-5	Pressure Washer 1/2" Media Industry	22	26	30	34	38	42	46	54		
2	5022090020-4	Complete Rear Gang						1				19	6020310431-9	Hexagonal Head Bolt 1" X 4" 8F Unc1A Gr5 Rp	1									
2	5022010970-1	Complete Rear Gang							1			20	5024010061-1	Smooth Washer Ø33,5 X Ø53,5 X 4,75Mm	2									
2	5022090033-6	Complete Rear Gang								1		21	6020050116-3	Cotterpin 1/4" X 2"	3	3	3	2	2	4	2	2		
2	5022090035-2	Complete Rear Gang									1	22	5024010409-9	Smooth Washer Ø33 X Ø76 X 6,30Mm							1			
3	5404010358-1	Main Frame	1	1	1							23	5024010007-7	Smooth Washer Ø20,3 X Ø46,5 X 4,75Mm	9	9	9	13	18	18	18	18		
3	5404010522-3	Main Frame					1	1	1	1	1	24	5024010634-2	Smooth Washer Ø26,8 X Ø66,5 X 4,75Mm	2									
*4	5084020003-2	Complete Hitch Drawbar	1	1	1							25	5432030133-8	Pin Ø30,53 X 98Mm	1									
*4	5084020036-9	Complete Hitch Drawbar					1	1	1	1	1	26	5432060023-8	Pin Of Ø1" X 210Mm	1	1	1							
*4	5084010064-0	Complete Hitch Drawbar(Export)	1	1	1							26	5432010025-1	Pin Of Ø1.1/4" X 215Mm				1	1	1	1	1		
*4	5084010001-1	Complete Hitch Drawbar (Export)					1	1	1	1	1	27	5432120038-1	French Head Pin Ø3/4" X 75Mm (Wrought)	1	1	1	2	2	2	2	2	2	
5	5348050009-8	Complete Limiter Of Ø42 X 49,5Mm	1									28	5432120022-5	French Head Pin Ø1" X 90Mm	1	1	1							
6	5040010027-3	Complete Hitch Transversal Bar	1	1	1							28	5432120021-7	French Head Pin Ø1" X 105Mm				1	1	1	1	1		
6	5040010022-2	Complete Hitch Transversal Bar					1	1	1	1	1	29	5432120025-0	French Head Pin Ø30,53 X 85Mm	1									
7	5040030023-0	Stabilizer Bar	1									30	5558040025-5	Piston Lock Of 348Mm	1	1	1							
8	6020310760-1	Hexagonal Nut 5/8" 11F Unc Gr5 Ch.1.1/16" Height 15,00Mm	1									30	5558040009-3	Piston Lock Of 360Mm				1	1	1	1	1		
9	6020030104-0	Nut Ø3/8" 16F Unc	1									31	5372011083-7	Hose 3/8" X 5300Mm W/ 1Tcg And 1Trf	1	1	1							
*10	5232040081-3	Complete Shaft Of Articulation Wheel	1	1	1							31	5372011085-3	Hose 3/8" X 6000Mm W/ 1Tcg And 1Trf				1	1	1	1	1		

## • Table CRSG 12 to 28 Discs

Item	Code	Product Description	All	CRSG								Item	Code	Product Description	All	CRSG										
				12	14	16	18	20	22	24	28					12	14	16	18	20	22	24	28			
32	5372011084-5	Hose 3/8" X 5700Mm W/ 1Tcg And 1Trf		1	1	1							55	6020390308-4	Lock Nma - Type "R" Ø4,5 X 80Mm		4	4	4	6	6	6	6	6		
32	5372011086-1	Hose 3/8" X 6400Mm W/ 1Tcg And 1Trf					1	1	1	1	1		56	6020310778-4	Hexagonal Nut 1" 8F Unc Gr5 Ch.1.5/8" Height 25,00Mm		13	13	13	15	15	15	15	15		
33	5204030001-5	Articulation Shaft Hub	2										57	5498100003-2	Complete Wheel 600 X 16		2	2	2							
34	5348050006-3	Complete Limiter Of Ø42 X 25Mm	1										57	5498100005-9	Complete Wheel 750 X 16					2	2	2	2	2		
35	5352050040-1	Rear Scraper (2.1/2" X 5/8" With Slotted Hole)		3	4	5	5	5	6	7	9		58	6020050350-6	Inner Tube 600X16		2	2	2							
36	5352050039-8	Front Scraper (2.1/2" X 5/8" With Slotted Hole)		3	4	5	5	5	6	7	9		58	6020050356-5	Inner Tube 750X16					2	2	2	2	2		
37	5138010019-7	Wrench For Nut De 1.5/8"	1										59	6020310400-9	Tyre 600 X 16 X 6 Ply		2	2	2							
38	5138050016-0	Wrench "L" For Hexagonal Nut 5/8" - 3/4"	1										59	6020310406-8	Tyre 750 X 16 X 10 Ply					2	2	2	2	2		
39	5138010007-3	Wrench For Hexagonal Nut 1.5/8" E 1"	1										60	6020350400-7	Rim 4,50X16 F16.388 43/03 (Harrow)		2	2	2							
40	5530060020-3	Hoses Support	1										60	6020350402-3	Wheel 5,5" X 16" 16.392					2	2	2	2	2		
*41	6020055688-0	Hydraulic Cylinder "O.D" Ø1.5/8" X Ø3.1/2" X 340Mm(Course) X 612Mm(Closed)		1	1	1							61	5566010026-0	Complete Stabilizer Rod(565Mm)		1									
*41	6020055687-1	Hydraulic Cylinder "O.D" Ø1.5/8" X Ø3.1/2" X 358Mm(Course) X 689Mm(Closed)					1	1	1	1	1		62	5566080078-5	Rod Of Ø1" X 565Mm		1									
42	5530140029-1	Support Of Stabilizer Bar (Special)		1	1	1							63	6020250293-0	Compression Helical Spring Ø43 X Ø67 X 157Mm Wire=Ø12Mm		1									
42	5530140010-0	Support Of Stabilizer Bar (640Mm)					1	1	1	1	1		64	6010600463-6	Spring Bushing		2									
43	6020310421-1	French Head Pin Ø9,8 X 61Mm	2										65	6020310778-4	Hexagonal Nut 1" 8F Unc Gr5 Ch.1.5/8" Height 25,00Mm		2									
44	5460040002-1	Clamp "U" 26 X 95 X 6,4	2										66	5432120044-6	French Head Pin Ø37,50 X 104Mm Gr3		2									
45	6020010424-5	Pressure Washer 1.1/4" Media Industry					2	2	2	2	2		67	5024010232-0	Smooth Washer Ø39,8 X Ø66,5 X 4,75Mm		2									
46	5024010068-9	Smooth Washer Ø13,3 X Ø35,5 X 3,00Mm		12	16	20	20	20	24	28	36		68	6020050116-3	Cotterpin 1/4" X 2"		2									
46	5024010068-9	Smooth Washer Ø13,3 X Ø35,5 X 3,00Mm		20	24	28	32	36	40	44	52		Optional													
47	6020311156-0	Hexagonal Head Bolt 1.1/4" X 7" 7F Unc1A Gr5 Rp					2	2	2	2	2		69	5498100072-5	Complete Wheel 11 X 15 - BI 10 Ply					2	2		2	2		
48	6020310793-8	Hexagonal Nut 1.1/4" 7F Unc Gr5 Ch.2" Height 31,00Mm					2	2	2	2	2		70	6020050362-0	Inner Tube Pa 15/16					2	2		2	2		
49	6020310770-9	Hexagonal Nut 3/4" 10F Unc Gr5 Ch.1.7/32" Height 18,50Mm		15	15	15	16	20	20	20	20		71	6020310413-0	Tyre 11X15 Raiado BI 10Ls					2	2		2	2		
50	6020310054-2	Hexagonal Head Bolt 3/8" X 1" 16F Unc1A Gr2 Rt	1										72	6020350397-3	Rim 10.0Lbx15" (Wheel 11X15)					2	2		2	2		
51	6020010414-8	Pressure Washer 3/4" Media Industry		15	15	15	16	20	20	20	20		73	6020370264-0	Complete Support Of Lifting (Hydraulic Filed Jack)		1									
52	6020311139-0	Hexagonal Head Bolt 1" X 6.1/2" 8F Unc1A Gr5 Rp		2	2	2							74	5352050048-7	Rear Scraper		3	4	5	5	5	6	7	9		
52	6020311140-4	Hexagonal Head Bolt 1" X 7" 8F Unc1A Gr5 Rp					4	4	4	4	4		74	5352050048-7	Rear Scraper (Export)		5	6	7	8	9	10	11	13		
53	6020010420-2	Pressure Washer 1" Media Industry		11	11	11	13	13	13	13	13		75	5352050049-5	Front Scraper		3	4	5	5	5	6	7	9		
54	6020311045-9	Hexagonal Head Bolt 1/2" X 1" 12FW Gr5 Rt Without Point		2	2	2	2	2	2	2	2		75	5352050049-5	Front Scraper (Export)		5	6	7	8	9	10	11	13		
54	6020311046-7	Hexagonal Head Bolt 1/2" X 3/4" 12FW Gr2 Rt									2															

• **CRSG 32 to 48 Discs**



\* Item 27 - See Page 22

\* Item 29 - See Page 21

\* Item 35 - See Page 14

Items 7,8,9 and 10 - use +2 units for finishing discs

Item 18 - use +4 units for special wheel

items 5 and 104 - use +1 unit for finishing disc

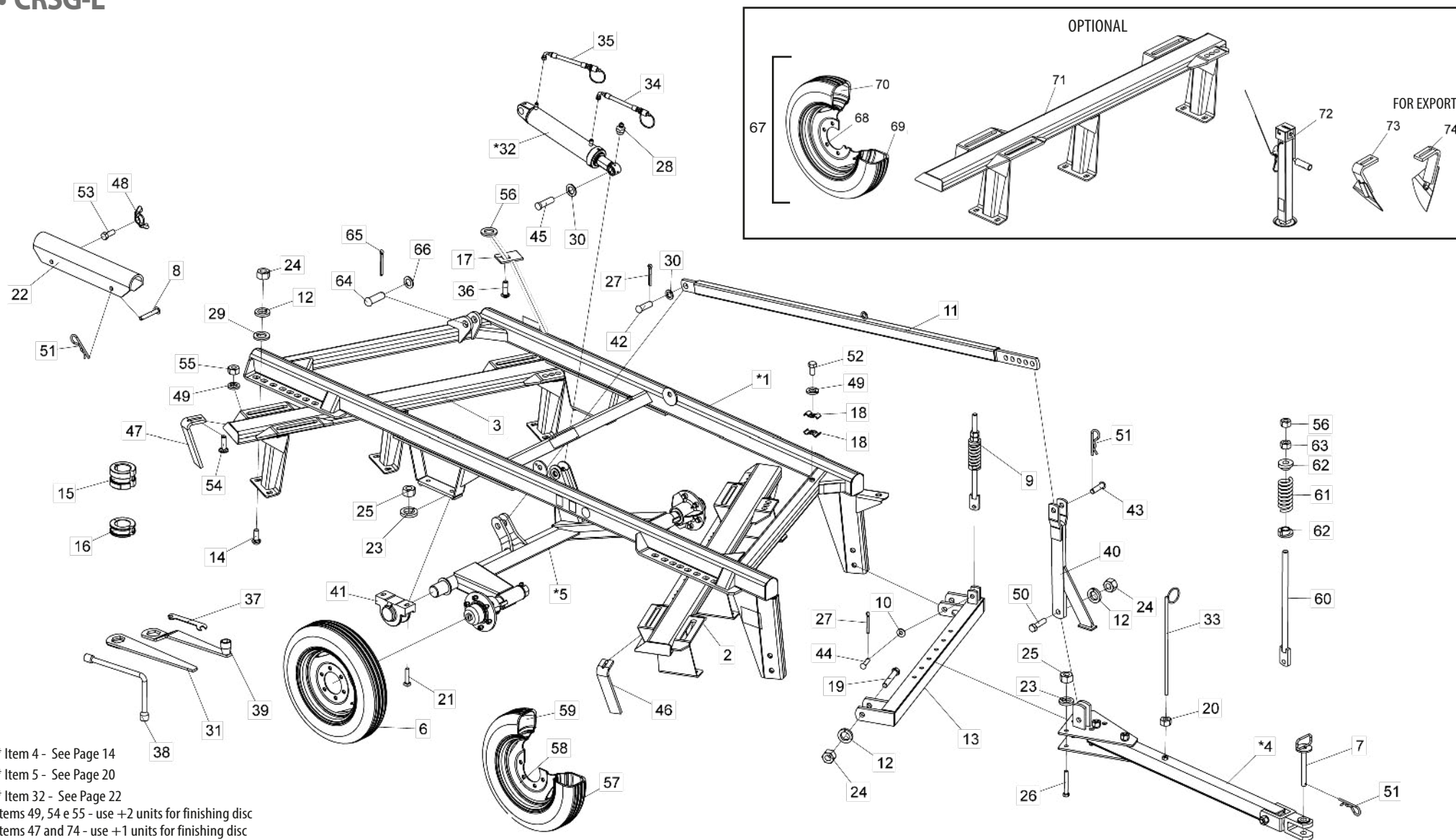
## • Table CRSG 32 to 48 Discs

Item	Code	Product Description	All						Item	Code	Product Description	All					
				CRSG 32	CRSG 36	CRSG 40	CRSG 44	CRSG 48					CRSG 32	CRSG 36	CRSG 40	CRSG 44	CRSG 48
1	5022090451-0	Complete Front Gang		1					20	6020310248-0	Hexagonal Head Bolt 1.1/4" X 8" 7F Unc1A Gr5 Rp	2					
1	5022090453-6	Complete Front Gang			1				21	5456010022-4	Hexagonal Nut 1.1/4" 7F Unc Gr5 Key.2" Height.31,00Mm With Hole R.3/8"	2					
1	5022090455-2	Complete Front Gang				1			22	6020311030-0	Hexagonal Head Bolt 3/8" X 5/8" 16F Unc1A Gr2 Rt	2					
1	5022090447-1	Complete Front Gang					1		23	5498100008-3	Complete Wheel 750 X 16 X 10 Ply (Offset 122,8Mm)	4					
1	5022090457-9	Complete Front Gang						1	24	6020050356-5	Inner Tube 750X16	4					
*2	5404010356-5	Main Frame	1						25	6020310406-8	Tyre 750 X 16 X 10 Ply	4					
3	6020250943-9	High Pressure Hydraulic Hose 3/8" X 500Mm With 1Tcg And 1Trg (Sae 100R2 At - P.T.4800Psi)	2						26	6020350954-8	Rim Ag 5° 5,5" X 16" Offset 122,8Mm	4					
4	5022010560-9	Complete Rear Gang		1					*27	6020055687-1	Hydraulic Cylinder "O.D" Ø1.5/8" X Ø3.1/2" X 358Mm(Course) X 689Mm(Closed)	2					
4	5022010561-7	Complete Rear Gang			1				28	5530540014-8	Articulation Shaft Support	1					
4	5022010563-3	Complete Rear Gang				1			*29	5232010945-0	Complete Wheel Shaft	1					
4	5022010562-5	Complete Rear Gang					1		30	5204030001-5	Articulation Shaft Hub	2					
4	5022010570-6	Complete Rear Gang						1	31	6020130108-7	Grease Fitting 1/8"	10					
5	5352050040-1	Rear Scraper (2.1/2" X 5/8" With Slotted Hole)		10	12	12	14	16	32	5040120528-1	Right Support Bar 76 X 570Mm X 1"	1					
6	5352050039-8	Front Scraper (2.1/2" X 5/8" With Slotted Hole)		10	12	12	14	16	33	5040010237-3	Left Support Bar 76" X 1" X 570Mm	1					
7	6020310144-1	French Head Bolt 1/2" X 2" 12FW Gr2 Rp Special (Export)		40	48	48	56	64	34	5530140006-2	Support Of Stabilizer Bar	1					
7	6020310144-1	French Head Bolt 1/2" X 2" 12FW Gr2 Rp Special (Export)		64	72	80	88	96	*35	5084040017-1	Complete Hitch Drawbar	1					
8	5024010068-9	Smooth Washer Ø13,3 X Ø35,5 X 3,00Mm		40	48	48	56	64	36	5040030016-7	Stabilizer Bar	1					
8	5024010068-9	Smooth Washer Ø13,3 X Ø35,5 X 3,00Mm		64	72	80	88	96	37	5232040023-6	Articulation Wheel Shaft	1					
9	6020010410-5	Pressure Washer 1/2" Media Industry		43	51	51	59	67	38	5432120038-1	French Head Pin Ø3/4" X 75Mm (Wrought)	2					
9	6020010410-5	Pressure Washer 1/2" Media Industry		67	75	83	91	99	39	5024010007-7	Smooth Washer Ø20,3 X Ø46,5 X 4,75Mm	2					
10	6020310754-7	Hexagonal Nut 1/2" 12FW Gr5 Ch.7/8" Height 12,00Mm		40	48	48	56	64	40	5024010232-0	Smooth Washer Ø39,8 X Ø66,5 X 4,75Mm	2					
10	6020310754-7	Hexagonal Nut 1/2" 12FW Gr5 Ch.7/8" Height 12,00Mm		64	72	80	88	96	41	5024010130-8	Smooth Washer Ø39 X Ø66 X 4,75Mm(Galvanised)	1					
11	6020250681-2	High Pressure Hydraulic Hose 3/8" X 800Mm With 1Tcg And 1Trg (Sae 100R2 At - P.T.4800Psi)	2						42	6020050122-8	Cotterpin 3/8" X 2.1/2" (White Galvanised)	1					
12	5224030018-4	Oil Distributor		1					43	5530060020-3	Hoses Support(Hydraulic Opening)	1					
13	5372011088-8	Hose Ø3/8" X 8000Mm With 1Tcg And 1Trf With Male Quickly Coupling		2					44	6020310760-1	Hexagonal Nut 5/8" 11F Unc Gr5 Ch.1.1/16" Height 15,00Mm	1					
14	6020310026-7	Hexagonal Head Bolt 3/8" X 1.1/4" 16F Unc1A Gr5 Rt		1					45	5432120021-7	French Head Pin Ø1" X 105Mm	1					
15	6020010406-7	Pressure Washer 3/8" Media Industry		1					46	5024010634-2	Smooth Washer Ø26,8 X Ø66,5 X 4,75Mm	2					
16	6020310746-6	Hexagonal Nut 3/8" 16F Unc Gr5 Ch.9/16" Height 8,50Mm		1					47	6020390308-4	Lock Nma - Type "R" Ø4,5 X 80Mm	6					
17	6020311136-6	Hexagonal Head Bolt 1" X 5.1/2" 8F Unc1A Gr5 Rp		1					48	5432120012-8	French Head Pin Ø3/4" X 110Mm	1					
18	6020310770-9	Hexagonal Nut 3/4" 10F Unc Gr5 Ch.1.7/32" Height 18,50Mm		12					49	5138010019-7	Wrench For Nut De 1.5/8"	1					
19	6020010414-8	Pressure Washer 3/4" Media Industry		12					50	5138010007-3	Wrench For Hexagonal Nut 1.5/8" E 1"	1					

## • Table CRSG 32 to 48 Discs

Item	Code	Product Description						Item	Code	Product Description							
			All	CRSG 32	CRSG 36	CRSG 40	CRSG 44				CRSG 48	All	CRSG 32	CRSG 36	CRSG 40	CRSG 44	CRSG 48
51	5138050016-0	Wrench "L" For Hexagonal Nut 5/8" - 3/4"	1						83	6020130108-7	Grease Fitting 1/8"	2					
52	6020310778-4	Hexagonal Nut 1" 8F Unc Gr5 Ch.1.5/8" Height 25,00Mm	11						84	5432120044-6	French Head Pin Ø37,50 X 104Mm Gr3	2					
53	6020010420-2	Pressure Washer 1" Media Industry	9						85	6020050118-0	Cotterpin 1/4" X 2.1/2"	2					
54	5024010039-5	Smooth Washer Ø26,2 X Ø44 X 4,75Mm	7						Optional								
55	5558210003-8	Bolt Lock	8						86	6020370264-0	Complete Support Of Lifting (Hydraulic Filed Jack)	1					
56	6020311196-0	French Head Bolt 1" X 3.1/2" 8F Unc1A Gr5 Rp	8						*87	5232011924-3	Complete Wheel Shaft	1					
57	6020311114-5	Hexagonal Head Bolt 3/4" X 2.3/4" 10F Unc1A Gr5 Rp	8						88	5022090452-8	Complete Rear Gang Crsg-32 Discs	1					
58	5348050006-3	Complete Limiter Of Ø42 X 25Mm	2	2	2	1	2		88	5022090454-4	Rear Gang Crsg-36 Discs		1				
59	5348050009-8	Complete Limiter Of Ø42 X 49,5Mm	2	2	2	1	2		88	5022090456-0	Rear Gang Crsg-40 Discs			1			
60	6020310242-1	Square Head Bolt 3/4" X 3.1/2" 10F Unc1A Gr5 Rp	4						88	5022090448-0	Complete Rear Gang Crsg-44 Discs				1		
61	5432120090-0	French Head Pin Ø30,53 X 97Mm	2						88	5022090458-7	Complete Rear Gang						1
62	5024010061-1	Smooth Washer Ø33,5 X Ø53,5 X 4,75Mm	9						89	5498100028-8	Complete Wheel 900 X 20 X 14 Ply (New Tyre)	2					
63	6020050116-3	Cotterpin 1/4" X 2"	9						89	5498100029-6	Complete Wheel 900 X 20 (Retreaded Tyle)	2					
64	5432120025-0	French Head Pin Ø30,53 X 85Mm	3						90	6020050359-0	Inner Tube 900X20	2					
65	5432030133-8	Pin Ø30,53 X 98Mm	2						91	6020310409-2	Tyre 900X20-14 Ply	2					
66	5432040027-1	Square Head Pin Ø37,3 X 220Mm	1						91	6020310407-6	Tyre 900 X 20 (Retreading Tyres)	2					
67	5558040009-3	Piston Lock Of 360Mm	2						92	6020310420-3	Protection For Inner Tube 900X20	2					
68	6020310421-1	French Head Pin Ø9,8 X 61Mm	4						93	6020350419-8	Rim7,00 X 20Mm	2					
69	5460040002-1	Clamp "U" 26 X 95 X 6,4	3						94	5204030007-4	Articulation Shaft Hub Of Tires	2					
70	6020030104-0	Nut Ø3/8" 16F Unc	2						*95	6020055697-9	Hydraulic Cylinder "O.D" Ø1.5/8" X Ø3.1/2" X 330Mm(Course) X 670Mm(Closed)	2					
71	6020311045-9	Hexagonal Head Bolt 1/2" X 1" 12FW Gr5 Rt Without Point	3						96	5232040074-0	Articulation Tyres Shaft	1					
72	6020310054-2	Hexagonal Head Bolt 3/8" X 1" 16F Unc1A Gr2 Rt	2						97	5558010248-3	Piston Lock Of 280Mm	2					
73	5566010002-3	Complete Stabilizer Rod(540Mm)	2						98	5530540015-6	Articulation Shaft Support	1					
74	6010600463-6	Spring Bushing	4						99	5498100070-9	Complete Wheel 400X60 14 Ply	2					
75	6020250293-0	Compression Helical Spring Ø43 X Ø67 X 157Mm Wire=Ø12Mm	2						100	6020010817-8	Rim Ag 13,00 X 15.1/2"	2					
76	5324020001-1	Guide 049 X 110Mm	2						101	6020310415-7	Tyre 400/60 15.5/14 Traction	2					
77	5566080078-5	Rod Of Ø1" X 565Mm	2						102	6020410040-6	Valve Tr-618 A	2					
78	6020310778-4	Hexagonal Nut 1" 8F Unc Gr5 Ch.1.5/8" Height 25,00Mm	4						103	5352050048-7	Rear Scraper (Export)		10	12	12	14	16
79	5138020001-9	Wrench For Hexagonal Nut 3/8" - 1/2"	1						103	5352050048-7	Rear Scraper (Export)		16	18	20	22	24
80	5432080016-4	Lock Pin Ø37,5 X 110Mm Without Grease Fitting	2						104	5352050049-5	Front Scraper (Export)		10	12	12	14	16
81	6020310183-2	Hexagonal Head Bolt 5/8" X 1" 11F Unc1A Gr2 Rt	2						104	5352050049-5	Front Scraper (Export)		16	18	20	22	24
82	6020010412-1	Pressure Washer 5/8" Media Industry	2														

## • CRSG-L



\* Item 4 - See Page 14

\* Item 5 - See Page 20

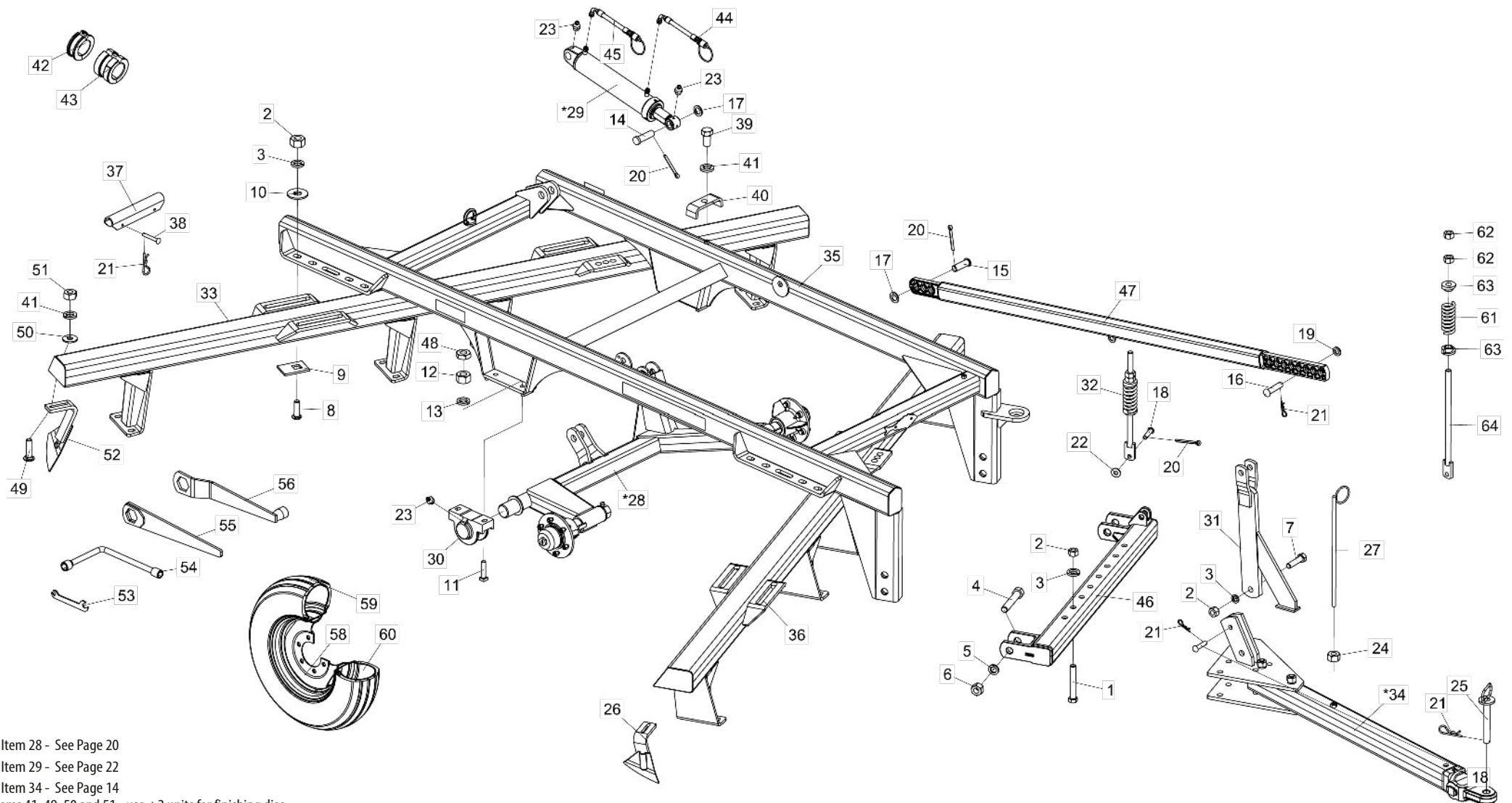
\* Item 32 - See Page 22

Items 49, 54 e 55 - use +2 units for finishing disc

Items 47 and 74 - use +1 units for finishing disc

## • Table CRSG-L

Item	Code	Product Description	All	CRSGL-18	CRSGL-20	CRSGL-22	CRSGL-24	Item	Code	Product Description	All	CRSGL-18	CRSGL-20	CRSGL-22	CRSGL-24
*1	5404010122-8	Rear/Front Gangs Of Main Frame	1					39	5138010007-3	Wrench For Hexagonal Nut 1.5/8" E 1"	1				
2	5022090325-4	Front Gang Crsgl-18 Discs		1				40	5530140029-1	Support Of Stabilizer Bar (Special)	1				
2	5022090326-2	Front Gang Crsgl-20 Discs			1			41	5204030001-5	Articulation Shaft Hub	2				
2	5022090327-0	Front Gang Crsgl-22 Discs				1		42	5432120025-0	French Head Pin Ø30,53 X 85Mm	1				
2	5022090328-9	Front Gang Crsgl-24 Discs					1	43	5432120022-5	French Head Pin Ø1" X 90Mm	1				
3	5022090329-7	Rear Gang Crsgl - 18 Discs		1				44	5432120038-1	French Head Pin Ø3/4" X 75Mm (Wrought)	1				
3	5022090331-9	Rear Gang Crsgl - 22 Discs			1			45	5432030133-8	Pin Ø30,53 X 98Mm	1				
3	5022090330-0	Rear Gang Crsgl-20 Discs				1		46	5352050039-8	Front Scraper (2.1/2" X 5/8" With Hole Slotted)		5	6	6	7
3	5022090332-7	Rear Gang Crsgl-24 Discs					1	47	5352050040-1	Rear Scraper (2.1/2" X 5/8" With Hole Slotted)		5	6	6	7
*4	5084020003-2	Complete Hitch Drawbar	1					48	6020030104-0	Nut Ø3/8" 16F Unc	1				
*4	5084010064-0	Complete Hitch Drawbar(Export)					1	49	6020010410-5	Pressure Washer 1/2" Media Industry		22	26	26	30
*5	5232040044-9	Complete Shaft Of Articulation Wheel	1					49	6020010410-5	Pressure Washer 1/2" Media Industry		32	38	42	46
6	5498100003-2	Complete Wheel 600 X 16	2					50	6020310431-9	Hexagonal Head Bolt 1" X 4" 8F Unc1A Gr5 Rp	1				
7	5432060023-8	Pin Of Ø1" X 210Mm	1					51	6020390308-4	Lock Nma - Type "R" Ø4,5 X 80Mm	4				
8	6020310421-1	French Head Pin Ø9,8 X 61Mm	2					52	6020311045-9	Hexagonal Head Bolt 1/2" X 1" 12F W Gr5 Rt Without Point	2				
9	5566010026-0	Complete Stabilizer Rod(565Mm)	1					53	6020310054-2	Hexagonal Head Bolt 3/8" X 1" 16F Unc1A Gr2 Rt	1				
10	5024010007-7	Smooth Washer Ø20,3 X Ø46,5 X 4,75Mm	1					54	6020310143-3	French Head Bolt 1/2" X 1.5/8" 12F W Gr2 Rt Special		20	24	24	28
11	5040030010-8	Stabilizer Bar	1					54	6020310143-3	French Head Bolt 1/2" X 1.5/8" 12F W Gr2 Rt Special		30	36	40	42
12	6020010420-2	Pressure Washer 1" Media Industry	11					55	6020310754-7	Hexagonal Nut 1/2" 12F W Gr5 Ch.7/8" Height 12,00Mm		20	24	24	28
13	5040010138-5	Complete Hitch Transversal Bar	1					55	6020310754-7	Hexagonal Nut 1/2" 12F W Gr5 Ch.7/8" Height 12,00Mm		30	36	40	42
14	6020310139-5	French Head Bolt 1" X 2.5/8" 8F Unc Gr5 Rp	6					56	5024010634-2	Smooth Washer Ø26,8 X Ø66,5 X 4,75Mm	2				
15	5348050009-8	Complete Limiter Of Ø42 X 49,5Mm	1					57	6020310400-9	Tyre 600 X 16 X 6 Ply	2				
16	5348050006-3	Complete Limiter Of Ø42 X 25Mm	1					58	6020350400-7	Rim 4,50X16 F16.388 43/03 (Harrow)	2				
17	5558210003-8	Bolt Lock	2					59	6020050350-6	Inner Tube 600X16	2				
18	5460030007-8	Clamp Of Pipe/Hose With Hole For Screw Ø1/2"	4					60	5566080078-5	Rod Of Ø1" X 565Mm	1				
19	6020311139-0	Hexagonal Head Bolt 1" X 6.1/2" 8F Unc1A Gr5 Rp	2					61	6020250293-0	Compression Helical Spring Ø43 X Ø67 X 157Mm Wire=Ø12Mm	1				
20	6020310760-1	Hexagonal Nut 5/8" 11F Unc Gr5 Ch.1.1/16" Height 15,00Mm	1					62	6010600463-6	Spring Bushing	2				
21	6020310242-1	Square Head Bolt 3/4" X 3.1/2" 10F Unc1A Gr5 Rp	4					63	6020310778-4	Hexagonal Nut 1" 8F Unc Gr5 Ch.1.5/8" Height 25,00Mm	2				
22	5558040009-3	Piston Lock Of 360Mm	1					64	5432120044-6	French Head Pin Ø37,50 X 104Mm Gr3	2				
23	6020010414-8	Pressure Washer 3/4" Media Industry	7					65	6020050118-0	Cotterpin 1/4" X 2.1/2" (White Galvanised)	2				
24	6020310778-4	Hexagonal Nut 1" 8F Unc Gr5 Ch.1.5/8" Height 25,00Mm	11					66	5024010232-0	Smooth Washer Ø39,8 X Ø66,5 X 4,75Mm	2				
25	6020310770-9	Hexagonal Nut 3/4" 10F Unc Gr5 Ch.1.7/32" Height 18,50Mm	7					Optional							
26	6020311104-8	Hexagonal Head Bolt 3/4" X 5.1/2" 10F Unc1A Gr5 Rp	3					67	5498100005-9	Complete Wheel 750 X 16	2				
27	6020050116-3	Cotterpin 1/4" X 2"	3					68	6020350402-3	Rim 5,5" X 16" 16.392	2				
28	6020130108-7	Grease Fitting 1/8"	4					69	6020310406-8	Tyre 750 X 16 X 10 Ply	2				
29	5024010039-5	Smooth Washer Ø26,2 X Ø44 X 4,75Mm	7					70	6020050356-5	Inner Tube 750X16	2				
30	5024010061-1	Smooth Washer Ø33,5 X Ø53,5 X 4,75Mm	2					71	5022010575-7	Rear Gang (18 Discs)		1			
31	5138010019-7	Wrench For Nut De 1.5/8"	1					71	5022010576-5	Rear Gang (20 Discs)			1		
*32	6020055687-1	Hydraulic Cylinder "O.D" Ø1.5/8" X Ø3.1/2" X 358Mm(Course) X 689Mm(Closed)	1					71	5022010577-3	Rear Gang (22 Discs)				1	
33	5530060020-3	Hoses Support	1					71	5022010578-1	Rear Gang W/Finishing Disc(24 Discs)					1
34	5372011085-3	Hose 3/8; X 6000Mm W/ 1Tcg And 1Trf	1					72	6020370264-0	Complete Support Of Lifting (Hydraulic Filed Jack)					1
35	5372011086-1	Hose 3/8; X 6400Mm W/ 1Tcg And 1Trf	1					73	5352050049-5	Front Scraper		5	6	6	7
36	6020311195-1	French Head Bolt 1" X 3.1/4" 8F Unc1A Gr5 Rp Special	2					73	5352050049-5	Front Scraper (Export)		8	9	10	11
37	5138020001-9	Wrench For Hexagonal Nut 3/8" - 1/2"	1					74	5352050048-7	Rear Scraper		5	6	6	7
38	5138050016-0	Wrench "L" For Hexagonal Nut 5/8" - 3/4"	1					74	5352050048-7	Rear Scraper (Export)		8	9	10	11



\* Item 28 - See Page 20

\* Item 29 - See Page 22

\* Item 34 - See Page 14

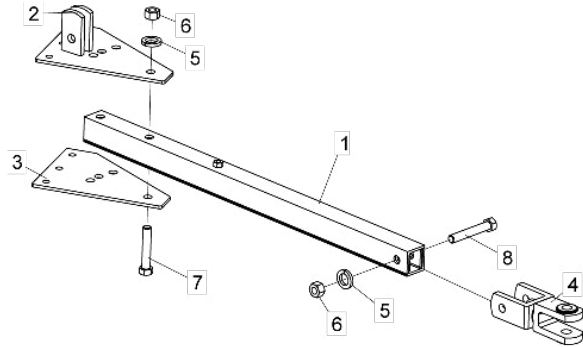
Items 41, 49, 50 and 51 - use +2 units for finishing disc

Item 52 - use +1 units for finishing disc

Item	Code	Product description	All	CRSGL-28	CRSGL-32
1	6020311140-4	Hexagonal Head Bolt 1" X 7" 8F Unc1A Gr5 Rp	4		
2	6020310778-4	Hexagonal Nut 1" 8F Unc Gr5 Ch.1.5/8" Height 25,00Mm	13		
3	6020010420-2	Pressure Washer 1" Media Industry	13		
4	6020311156-0	Hexagonal Head Bolt 1.1/4" X 7" 7F Unc1A Gr5 Rp	2		
5	6020010424-5	Pressure Washer 1.1/4" Media Industry	2		
6	6020310793-8	Hexagonal Nut 1.1/4" 7F Unc Gr5 Ch.2" Height 31,00Mm	2		
7	6020310431-9	Hexagonal Head Bolt 1" X 4" 8F Unc1A Gr5 Rp	1		
8	6020311195-1	French Head Bolt 1" X 3.1/4" 8F Unc1A Gr5 Rp Special	8		
9	5558210003-8	Bolt Lock	8		
10	5024010634-2	Smooth Washer Ø26,8 X Ø66,5 X 4,75Mm	8		
11	6020310242-1	Square Head Bolt 3/4" X 3.1/2" 10F Unc1A Gr5 Rp	4		
12	6020310770-9	Hexagonal Nut 3/4" 10F Unc Gr5 Ch.1.7/32" Height 18,50Mm	4		
13	6020010414-8	Pressure Washer 3/4" Media Industry	4		
14	5432030133-8	Pin Ø30,53 X 98Mm	1		
15	5432120025-0	French Head Pin Ø30,53 X 85Mm	1		
16	5432120021-7	French Head Pin Ø1" X 105Mm	1		
17	5024010061-1	Smooth Washer Ø33,5 X Ø53,5 X 4,75Mm	2		
18	5432120038-1	French Head Pin Ø3/4" X 75Mm	2		
19	5024010039-5	Smooth Washer Ø26,2 X Ø44 X 4,75Mm	1		
20	6020050116-3	Cotterpin 1/4" X 2"	3		
21	6020390308-4	Lock Nma - Type "R" Ø4,5 X 80Mm	5		
22	5024010007-7	Smooth Washer Ø20,3 X Ø46,5 X 4,75Mm	1		
23	6020130108-7	Grease Fitting 1/8"	4		
24	6020310760-1	Hexagonal Nut 5/8" 11F Unc Gr5 Ch.1.1/16" Height 15,00Mm	1		
25	5432010025-1	Pin Of Ø1.1/4" X 215Mm	1		
26	5352050049-5	Front Scraper (Export)		14	16
27	5530060020-3	Hoses Support(Hydraulic Opening)	1		
28	5232040015-5	Complete Shaft Of Articulation Wheel	1		
29	6020055687-1	Hydraulic Cylinder "O.D" Ø1.5/8" X Ø3.1/2" X 358Mm(Course) X 689Mm(Closed)	1		
30	5204030001-5	Articulation Shaft Hub	2		
31	5530140010-0	Support Of Stabilizer Bar (640Mm)	1		
32	5566010026-0	Complete Stabilizer Rod(565Mm)	1		
33	5022011739-9	Complete Rear Gang		1	

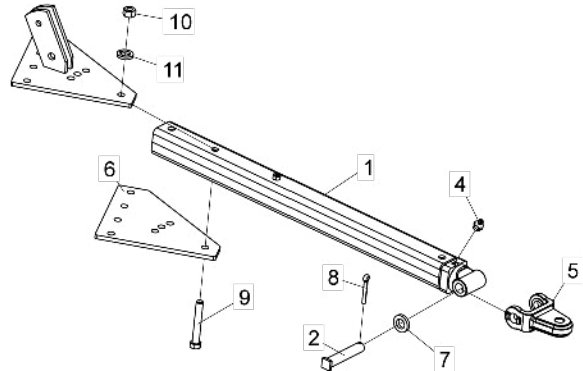
Item	Code	Product description	All	CRSGL-28	CRSGL-32
33	5022011751-8	Complete Rear Gang			1
34	5084020036-9	Complete Hitch Drawbar	1		
35	5404010945-8	Complete Front/Rear Gangs Of Main Frame	1		
36	5022011738-0	Complete Front Gang			1
36	5022011750-0	Complete Front Gang			1
37	5558040009-3	Piston Lock Of 360Mm	1		
38	6020310421-1	French Head Pin Ø9,8 X 61Mm	2		
39	6020311045-9	Hexagonal Head Bolt 1/2" X 1" 12FW Gr5 Rt Without Point	2		
40	5460040002-1	Clamp "U" 26 X 95 X 6,4	2		
41	6020010410-5	Pressure Washer 1/2" Media Industry		58	66
42	5348050006-3	Complete Limiter Of Ø42 X 25Mm	1		
43	5348050009-8	Complete Limiter Of Ø42 X 49,5Mm	1		
44	5372011085-3	Hose 3/8; X 6000Mm W/ 1Tcg And 1Trf	1		
45	5372011086-1	Hose 3/8; X 6400Mm W/ 1Tcg And 1Trf	1		
46	5040010873-8	Hitch Transversal Bar	1		
47	5040010851-7	Stabilizer Bar	1		
48	6020310784-9	Hexagonal Nut 3/4" 10F Unc Gr5 Ch.1.1/4" Height 11,00Mm	4		
49	6020310144-1	French Head Bolt 1/2" X 2" 12FW Gr2 Rp Special (Export)		56	64
50	5024010068-9	Smooth Washer Ø13,3 X Ø35,5 X 3,00Mm		56	64
51	6020310754-7	Hexagonal Nut 1/2" 12FW Gr5 Ch.7/8" Height 12,00Mm		56	64
52	5352050048-7	Rear Scraper (Export)		14	16
53	5138020001-9	Wrench For Hexagonal Nut 3/8" - 1/2"	1		
54	5138050016-0	Wrench "L" For Hexagonal Nut 5/8" - 3/4"	1		
55	5138010019-7	Wrench For Nut De 1.5/8"	1		
56	5138010007-3	Wrench For Hexagonal Nut 1.5/8" E 1"	1		
57	5498100005-9	Complete Wheel 750 X 16	2		
58	6020350402-3	Rim 5,5" X 16" 16.392	2		
59	6020310406-8	Tyre 750 X 16 X 10 Ply	2		
60	6020050356-5	Inner Tube 750X16	2		
61	6020250293-0	Helical Spring Ø43 X Ø67 X 157Mm Wire=Ø12Mm	1		
62	6020310778-4	Hexagonal Nut 1" 8F Unc Gr5 Ch.1.5/8" Height 25,00Mm	2		
63	6010600463-6	Spring Bushing	2		
64	5566080078-5	Rod Of Ø1" X 565Mm	1		

## • Complete Drawbar CRSG 12 to 16 Discs and CRSG-L



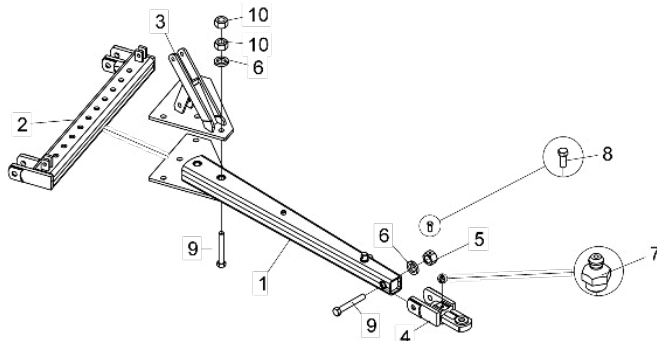
Item	Code	Product Description	All	Complete	Complete (Export)
1	5084010065-8	Hitch Drawbar(Export)			1
1	5084030014-2	Hitch Drawbar(10 To 20 Discs (Hydraulic Opening))		1	
2	5136110002-0	Adjustment Upper Plate	1		
3	5136110028-3	Adjustment Plate	1		
4	5332010008-5	Hitch Shackle	1		
5	6020010420-2	Pressure Washer 1" Media Industry	3		
6	6020310778-4	Hexagonal Nut 1" 8F Unc Gr5 Ch. 1.5/8" Height 25,00Mm	3		
7	6020311136-6	Hexagonal Head Bolt 1" X 5.1/2" 8F Unc1A Gr5 Rp	2		
8	6020311139-0	Hexagonal Head Bolt 1" X 6.1/2" 8F Unc1A Gr5 Rp	1		

## • Complete Drawbar 18 to 28 Discs



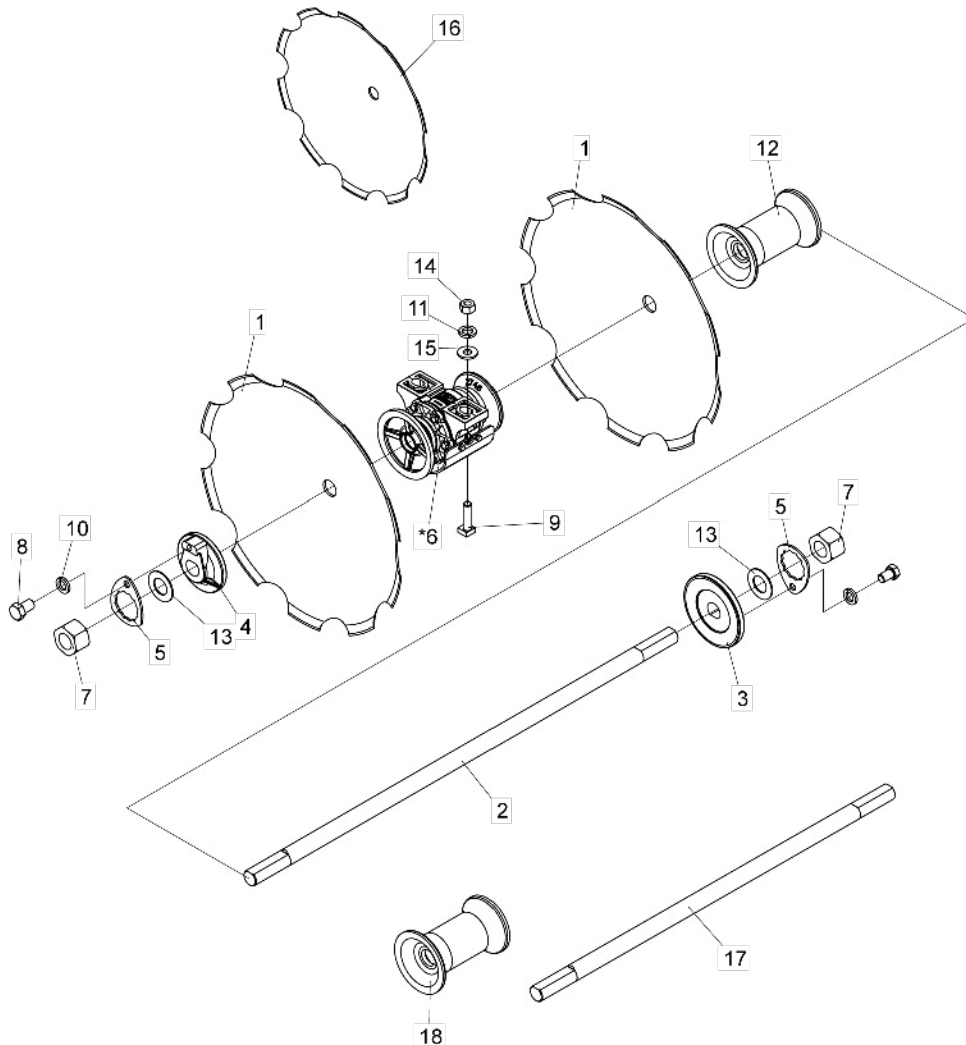
Item	Code	Product Description	All	Complete	Complete (Export)
1	5084020035-0	Hitch Drawbar	1		
1	5084010003-8	Hitch Drawbar(Export)		1	
2	5432040003-4	Square Head Pin Ø37,5 X 190Mm			1
3	5136110062-3	Adjustment Upper Plate Of Drawbar	1		
4	6020130108-7	Grease Fitting 1/8"	1		
5	6010600995-6	Support Type "U" Of Shackle	1		
6	5136110063-1	Upper And Lower Plate Of Drawbar	1		
7	5024010217-7	Smooth Washer Ø39 X Ø68 X 12,00Mm	2		
8	6020050122-8	Cotterpin 3/8" X 2.1/2" (White Galvanised)	1		
9	6020311140-4	Hexagonal Head Bolt 1" X 7" 8F Unc1A Gr5 Rp	1		
9	6020311156-0	Hexagonal Head Bolt 1.1/4" X 7" 7F Unc1A Gr5 Rp	2		
10	6020310778-4	Hexagonal Nut 1" 8F Unc Gr5 Ch. 1.5/8" Height 25,00Mm		2	
11	6020010420-2	Pressure Washer 1" Media Industry			2

## • Complete Drawbar CRSG 32 to 48 Discs



Item	Code	Product Description	All
1	5084020002-4	Hitch Drawbar	1
2	5040020003-0	Hitch Transversal Bar	1
3	5136011952-5	Adjustment Upper Plate Of Drawbar	1
4	5332020003-9	Hitch Shackle	1
5	5456010022-4	Hexagonal Nut 1.1/4" 7F Unc Gr5 Key.2" Height.31,00Mm With Hole R.3/8"	1
6	6020010424-5	Pressure Washer 1.1/4" Media Industry	6
7	6020130108-7	Grease Fitting 1/8"	1
8	6020310054-2	Hexagonal Head Bolt 3/8" X 1" 16F Unc1A Gr2 Rt	1
9	6020310249-9	Hexagonal Head Bolt 1.1/4" X 9" 7F Unc1A Gr5 Rp	6
10	6020310793-8	Hexagonal Nut 1.1/4" 7F Unc Gr5 Ch.2" Height 31,00Mm	10

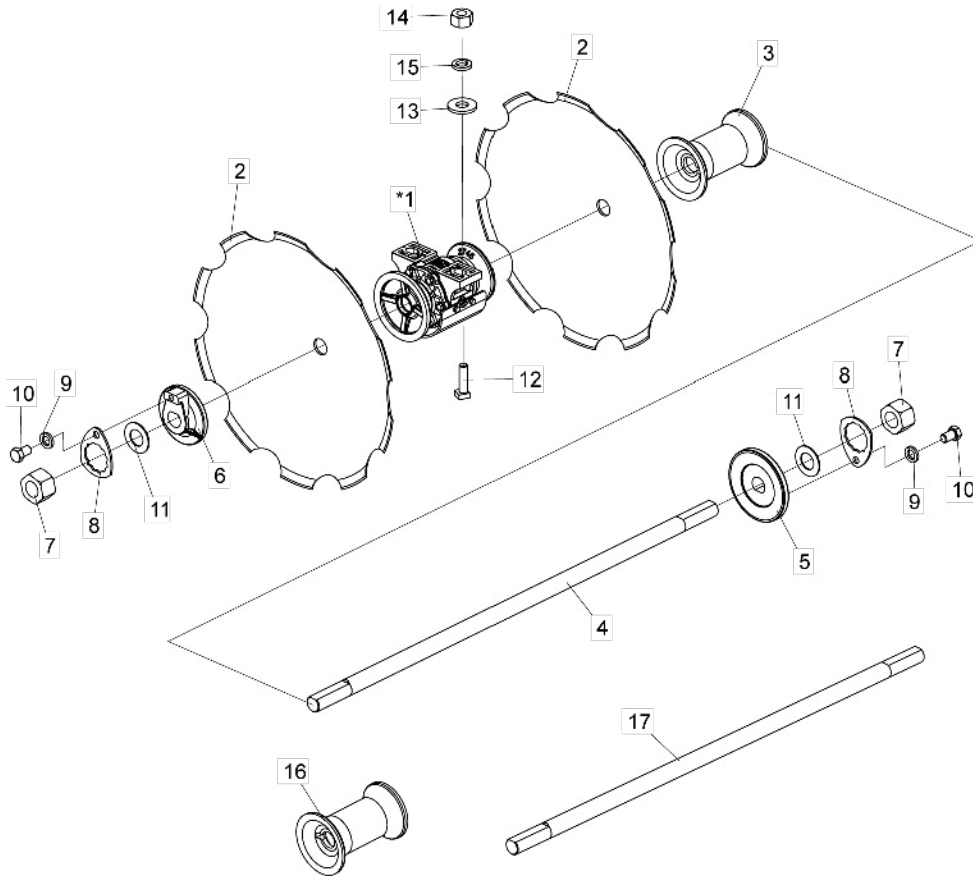
## • Discs Section CRSG 12 to 28 Discs



\* Item 6 - See Page 19

Item	Code	Product Description	All	CRSG 12	CRSG 14	CRSG 16	CRSG 18	CRSG 20	CRSG 22	CRSG 24	CRSG 28
1	2667420262-7	Concave Plain Disc Blade 24 X 5,00 Hc Rd 1.5/8 Single Bevel	12	14	16	18	20	22	24	28	
1	2667430262-1	Concave Plain Disc Blade 24 X 6,00 Hc Rd 1.5/8 Single Bevel	12	14	16	18	20	22	24	28	
1	2667430273-7	Concave Plain Disc Blade 24 X 6,00 Hc Rd 1.5/8 Internal Bevel	12	14	16	18	20	22	24	28	
1	2767420262-3	Concave Notched Disc Blade 24 X 5,00 Hc Rd 1.5/8 Single Bevel	12	14	16	18	20	22	24	28	
1	2767420273-9	Concave Notched Disc Blade 24 X 5,00 Hc Rd 1.5/8 Internal Bevel	12	14	16	18	20	22	24	28	
1	2767430262-8	Concave Notched Disc Blade 24 X 6,00 Hc Rd 1.5/8 Single Bevel	12	14	16	18	20	22	24	28	
1	2767430273-3	Concave Notched Disc Blade 24 X 6,00 Hc Rd 1.5/8 Internal Bevel	12	14	16	18	20	22	24	28	
1	2767470262-6	Concave Notched Disc Blade 24 X 7,50 Hc Rd 1.5/8 Single Bevel	12	14	16	18	20	22	24	28	
1	2767470273-1	Concave Notched Disc Blade 24 X 7,50 Hc Rd 1.5/8 Internal Bevel	12	14	16	18	20	22	24	28	
1	2669420262-3	Concave Plain Disc Blade 26 X 5,00 Hc Rd 1.5/8 Single Bevel	12	14	16	18	20	22	24	28	
1	2669430262-8	Concave Plain Disc Blade 26 X 6,00 Hc Rd 1.5/8 Single Bevel	12	14	16	18	20	22	24	28	
1	2669430273-3	Concave Plain Disc Blade 26 X 6,00 Hc Rd 1.5/8 Internal Bevel	12	14	16	18	20	22	24	28	
1	2669470273-1	Concave Plain Disc Blade 26 X 7,50 Hc Rd 1.5/8 Internal Bevel	12	14	16	18	20	22	24	28	
1	2769420262-0	Concave Notched Disc Blade 26 X 5,00 Hc Rd 1.5/8 Single Bevel	12	14	16	18	20	22	24	28	
1	2769420273-5	Concave Notched Disc Blade 26 X 5,00 Hc Rd 1.5/8 Internal Bevel	12	14	16	18	20	22	24	28	
1	2769430262-4	Concave Notched Disc Blade 26 X 6,00 Hc Rd 1.5/8 Single Bevel	12	14	16	18	20	22	24	28	
1	2769430273-0	Concave Notched Disc Blade 26 X 6,00 Hc Rd 1.5/8 Internal Bevel	12	14	16	18	20	22	24	28	
1	2769470262-2	Concave Notched Disc Blade 26 X 7,50 Hc Rd 1.5/8 Single Bevel	12	14	16	18	20	22	24	28	
1	2769470273-8	Concave Notched Disc Blade 26 X 7,50 Hc Rd 1.5/8 Internal Bevel	12	14	16	18	20	22	24	28	
1	2670430262-1	Concave Plain Disc Blade 28 X 6,00 Hc Rd 1.5/8 Single Bevel	12	14	16	18	20	22	24	28	
1	2670430273-7	Concave Plain Disc Blade 28 X 6,00 Hc Rd 1.5/8 Internal Bevel	12	14	16	18	20	22	24	28	
1	2770420262-3	Concave Notched Disc Blade 28 X 5,00 Hc Rd 1.5/8 Single Bevel	12	14	16	18	20	22	24	28	
1	2770420273-9	Concave Notched Disc Blade 28 X 5,00 Hc Rd 1.5/8 Internal Bevel	12	14	16	18	20	22	24	28	
1	2770430262-8	Concave Notched Disc Blade 28 X 6,00 Hc Rd 1.5/8 Single Bevel	12	14	16	18	20	22	24	28	
1	2770430273-3	Concave Notched Disc Blade 28 X 6,00 Hc Rd 1.5/8 Internal Bevel	12	14	16	18	20	22	24	28	
1	2770470262-6	Concave Notched Disc Blade 28 X 7,50 Hc Rd 1.5/8 Single Bevel	12	14	16	18	20	22	24	28	
1	2770470273-1	Concave Notched Disc Blade 28 X 7,50 Hc Rd 1.5/8 Internal Bevel	12	14	16	18	20	22	24	28	
2	5232010345-2	Shaft Ø1.5/8" X 1390Mm	2						2	4	4
2	5232050005-2	Shaft Ø1.5/8" X 1620Mm		2							4
2	5232010625-7	Shaft Ø1.5/8" X 1880Mm			2						
2	5232050159-8	Shaft Ø1.5/8" X 2110Mm				2					
2	5232050267-5	Shaft Ø1.5/8" X 1160Mm					2				
3	5024010365-3	Convex Washer Ø1.5/8"	2	2	2	2	4	4	4	4	4
4	5024010366-1	Convex Washer Ø1.5/8"	2	2	2	2	4	4	4	4	4
5	5558010096-0	Lock Nut Shaft	4	4	4	4	8	8	8	8	8
*6	5368010289-5	Complete Front/Rear Grease Bearing Of 250Mm W/Protection For Shaft Ø1.5/8"	4	4	4	6	8	8	8	8	8
*6	5368010293-3	Complete Front/Rear Grease Bearing Of 250Mm Without Protection For Shaft Ø1.5/8"	4	4	4	6	8	8	8	8	8
*6	5368010321-2	Complete Axial (Oil) Front/Rear Bearing Of 250Mm Without Protection For Shaft Ø1.5/8"	4	4	4	6	8	8	8	8	8
*6	5368010356-5	Complete Axial (Oil) Front/Rear Bearing Of 250Mm W/Protection For Shaft Ø1.5/8"	4	4	4	6	8	8	8	8	8
7	5456010072-0	Hexagonal Nut Ø1.5/8" 7Fpp-W Gr5 Wrench 69Mm Height 44Mm (Special)	4	4	4	4	8	8	8	8	8
8	6020310183-2	Hexagonal Head Bolt 5/8" X 1" 11F Unc1A Gr2 Rt	4	4	4	4	8	8	8	8	8
9	6020310240-5	Square Head Bolt 3/4" X 2.3/4" 10F Unc1A Gr5 Excentric Rp	8	8	8	12	16	16	16	16	16
10	6020010412-1	Pressure Washer 5/8" Media Industry	4	4	4	4	8	8	8	8	8
10	6020010414-8	Pressure Washer 3/4" Media Industry	8	8	8	12	16	16	16	16	16
11	5120010011-9	Spool Of 225Mm For Shaft Of Ø1.5/8"	6	8	10	10	8	10	12	16	16
13	5024010367-0	Smooth Washer Ø43 X Ø78 X 3,00Mm	4	4	4	4	8	8	8	8	8
14	6020310770-9	Hexagonal Nut 3/4" 10F Unc Gr5 Ch.1.7/32" Height 18,50Mm	8	8	8	12	16	16	16	16	16
15	5024010007-7	Smooth Washer Ø20,3 X Ø46,5 X 4,75Mm	8	8	8	12	16	16	16	16	16
Optional											
16	5232010345-2	Shaft Ø1.5/8" X 1390Mm	1							3	
16	5232050005-2	Shaft Ø1.5/8" X 1620Mm	1							1	3
16	5232050159-8	Shaft Ø1.5/8" X 2110Mm				1					
16	5232050160-1	Shaft Ø1.5/8" X 2315Mm				1					
16	5232050267-5	Shaft Ø1.5/8" X 1160Mm					3				
17	5120010011-9	Spool Of 225Mm For Shaft Of Ø1.5/8"	7	9	11	11	9	11	13	17	
18	2765420262-7	Concave Notched Disc Blade 22 X 5,00 Hc Rd 1.5/8 Single Bevel	1								
18	2765420273-2	Concave Notched Disc Blade 22 X 5,00 Hc Rd 1.5/8 Internal Bevel	1								

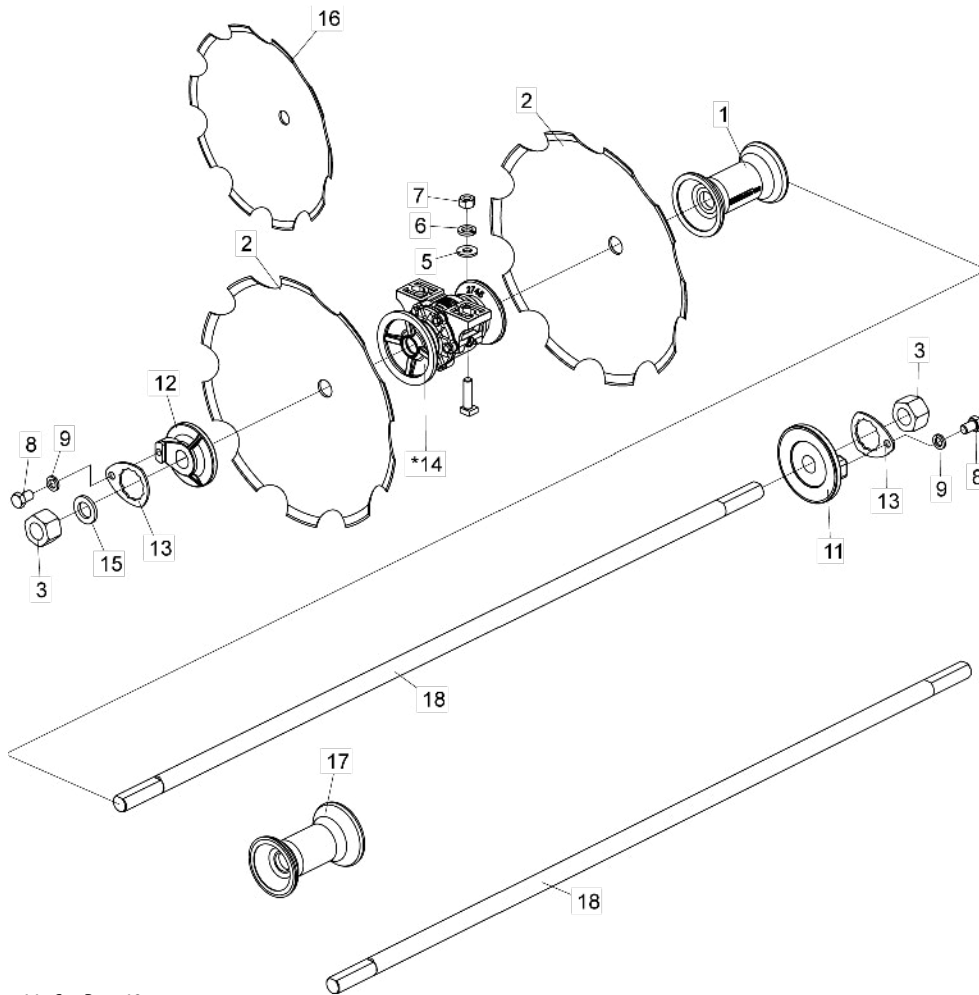
## • Discs Section CRSG 32 to 48 Discs



\* Item 1 - See Page 19

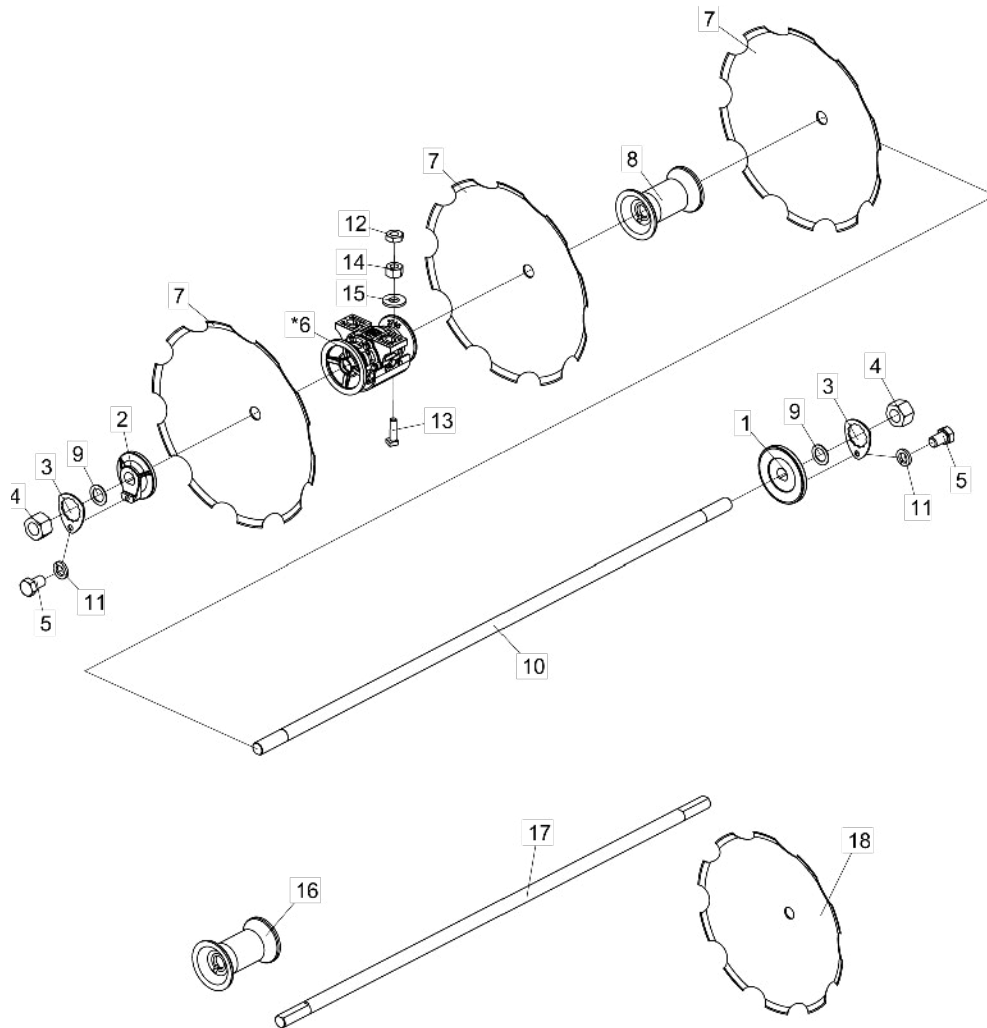
Item	Code	Product Description	CRSG 32	CRSG 36	CRSG 40	CRSG 44	CRSG 48
*1	5368010289-5	Complete Front/Rear Grease Bearing Of 250Mm W/Protection For Shaft Ø1.5/8"	12	12	16	16	16
*1	5368010293-3	Complete Front/Rear Grease Bearing Of 250Mm Without Protection For Shaft Ø1.5/8"	12	12	16	16	16
*1	5368010321-2	Complete Axial (Oil) Front/Rear Bearing Of 250Mm Without Protection For Shaft Ø1.5/8"	12	12	16	16	16
*1	5368010356-5	Complete Axial (Oil) Front/Rear Bearing Of 250Mm W/Protection For Shaft Ø1.5/8"	12	12	16	16	16
2	2667430273-7	Concave Plain Disc Blade 24 X 6,00 Hc Rd 1.5/8 Internal Bevel	32	36	40	44	48
2	2669430262-8	Concave Plain Disc Blade 26 X 6,00 Hc Rd 1.5/8 Single Bevel	32	36	40	44	48
2	2669430273-3	Concave Plain Disc Blade 26 X 6,00 Hc Rd 1.5/8 Internal Bevel	32	36	40	44	48
2	2670430273-7	Concave Plain Disc Blade 28 X 6,00 Hc Rd 1.5/8 Internal Bevel	32	36	40	44	48
2	2767420273-9	Concave Notched Disc Blade 24 X 5,00 Hc Rd 1.5/8 Internal Bevel	32	36	40	44	48
2	2767430273-3	Concave Notched Disc Blade 24 X 6,00 Hc Rd 1.5/8 Internal Bevel	32	36	40	44	48
2	2767470273-1	Concave Notched Disc Blade 24 X 7,50 Hc Rd 1.5/8 Internal Bevel	32	36	40	44	48
2	2769420273-5	Concave Notched Disc Blade 26 X 5,00 Hc Rd 1.5/8 Internal Bevel	32	36	40	44	48
2	2769430262-4	Concave Notched Disc Blade 26 X 6,00 Hc Rd 1.5/8 Single Bevel	32	36	40	44	48
2	2769430273-0	Concave Notched Disc Blade 26 X 6,00 Hc Rd 1.5/8 Internal Bevel	32	36	40	44	48
2	2769470273-8	Concave Notched Disc Blade 26 X 7,50 Hc Rd 1.5/8 Internal Bevel	32	36	40	44	48
2	2770420273-9	Concave Notched Disc Blade 28 X 5,00 Hc Rd 1.5/8 Internal Bevel	32	36	40	44	48
2	2770430273-3	Concave Notched Disc Blade 28 X 6,00 Hc Rd 1.5/8 Internal Bevel	32	36	40	44	48
2	2770470273-1	Concave Notched Disc Blade 28 X 7,50 Hc Rd 1.5/8 Internal Bevel	32	36	40	44	48
3	5120010011-9	Spool Of 225Mm For Shaft Of Ø1.5/8"	16	18	16	20	24
4	5232010625-7	Shaft Ø1.5/8" X 1880Mm	4				
4	5232010345-2	Shaft Ø1.5/8" X 1390Mm		6		4	8
4	5232050267-5	Shaft Ø1.5/8" X 1160Mm			8	4	
5	5024010365-3	Convex Washer Ø1.5/8"	4	6	8	8	8
6	5024010366-1	Convex Washer Ø1.5/8"	4	6	8	8	8
7	5456010072-0	Hexagonal Nut Ø1.5/8" 7Fpp-W Gr5 Wrench 69Mm Height 44Mm (Special)	8	12	16	16	16
8	5558010096-0	Lock Nut Shaft	8	12	16	16	16
9	6020010412-1	Pressure Washer 5/8" Media Industry	8	12	16	16	16
10	6020310183-2	Hexagonal Head Bolt 5/8" X 1" 11F Unc1A Gr2 Rt	8	12	16	16	16
11	5024010367-0	Smooth Washer Ø43 X Ø78 X 3,00Mm	8	12	16	16	16
12	6020310240-5	Square Head Bolt 3/4" X 2.3/4" 10F Unc1A Gr5 Excentric Rp	24	24	32	32	32
13	5024010007-7	Smooth Washer Ø20,3 X Ø46,5 X 4,75Mm	24	24	32	32	32
14	6020310770-9	Hexagonal Nut 3/4" 10F Unc Gr5 Ch.1.7/32" Height 18,50Mm	24	24	32	32	32
15	6020010414-8	Pressure Washer 3/4" Media Industry	24	24	32	32	32
Optional							
16	5120010011-9	Spool Of 225Mm For Shaft Of Ø1.5/8"	17	19	17	21	25
17	5232010345-2	Shaft Ø1.5/8" X 1390Mm		5	1	3	7
17	5232050005-2	Shaft Ø1.5/8" X 1620Mm		1		1	1
17	5232050267-5	Shaft Ø1.5/8" X 1160Mm			7	4	
17	5232010625-7	Shaft Ø1.5/8" X 1880Mm	3				
17	5232050159-8	Shaft Ø1.5/8" X 2110Mm	1				
18	2765420262-7	Concave Notched Disc Blade 22 X 5,00 Hc Rd 1.5/8 Single Bevel	1				
18	2765420273-2	Concave Notched Disc Blade 22 X 5,00 Hc Rd 1.5/8 Internal Bevel	1				
18	2765430273-7	Concave Notched Disc Blade 22 X 6,00 Hc Rd 1.5/8 Internal Bevel	1				

## • Discs Section CRSG-L



\* Item 14 - See Page 19

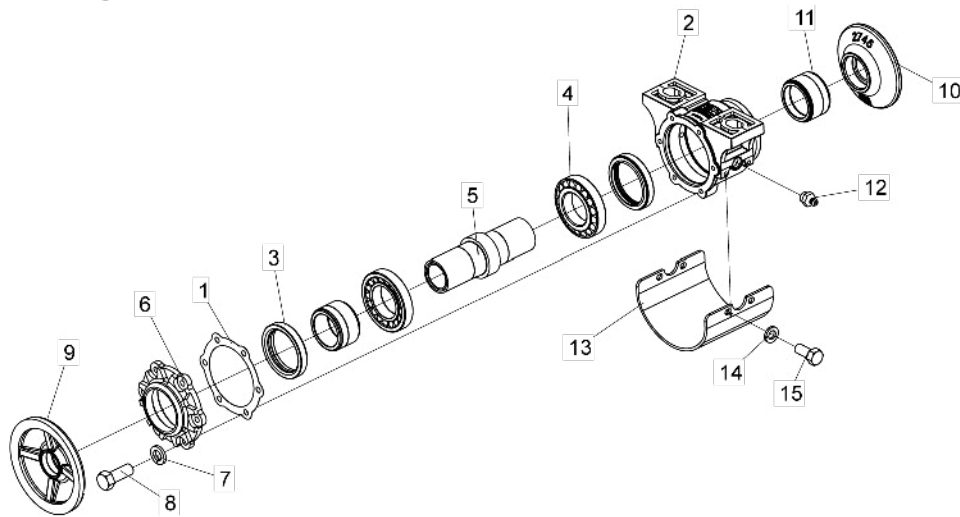
Item	Code	Product Description	All	CRSGL 18	CRSGL 20	CRSGL 22	CRSGL 24
1	5120010031-3	Spool Of 224Mm For Shaft Of 1.5/8"		10	12	10	12
2	2667420262-7	Concave Plain Disc Blade 24 X 5,00 Hc Rd 1.5/8 Single Bevel		18	20	22	24
2	2667420273-2	Concave Plain Disc Blade 24 X 5,00 Hc Rd 1.5/8 Internal Bevel		18	20	22	24
2	2667430262-1	Concave Plain Disc Blade 24 X 6,00 Hc Rd 1.5/8 Single Bevel		18	20	22	24
2	2667430273-7	Concave Plain Disc Blade 24 X 6,00 Hc Rd 1.5/8 Internal Bevel		18	20	22	24
2	2767420262-3	Concave Notched Disc Blade 24 X 5,00 Hc Rd 1.5/8 Single Bevel		18	20	22	24
2	2767420273-9	Concave Notched Disc Blade 24 X 5,00 Hc Rd 1.5/8 Internal Bevel		18	20	22	24
2	2767430262-8	Concave Notched Disc Blade 24 X 6,00 Hc Rd 1.5/8 Single Bevel		18	20	22	24
2	2767430273-3	Concave Notched Disc Blade 24 X 6,00 Hc Rd 1.5/8 Internal Bevel		18	20	22	24
2	2669430262-8	Concave Plain Disc Blade 26 X 6,00 Hc Rd 1.5/8 Single Bevel		18	20	22	24
2	2669430273-3	Concave Plain Disc Blade 26 X 6,00 Hc Rd 1.5/8 Internal Bevel		18	20	22	24
2	2769420262-0	Concave Notched Disc Blade 26 X 5,00 Hc Rd 1.5/8 Single Bevel		18	20	22	24
2	2769420273-5	Concave Notched Disc Blade 26 X 5,00 Hc Rd 1.5/8 Internal Bevel		18	20	22	24
2	2769430262-4	Concave Notched Disc Blade 26 X 6,00 Hc Rd 1.5/8 Single Bevel		18	20	22	24
2	2769430273-0	Concave Notched Disc Blade 26 X 6,00 Hc Rd 1.5/8 Internal Bevel		18	20	22	24
3	5456010072-0	Hexagonal Nut Ø1.5/8" 7Fpp-W Gr5 Wrench 69Mm Height 44Mm (Special)	4	4	8	8	
4	6020310240-5	Square Head Bolt 3/4" X 2.3/4" 10F Unc1A Gr5 Excentric Rp	12	12	16	16	
5	5024010007-7	Smooth Washer Ø20,3 X Ø46,5 X 4,75Mm	12	12	16	16	
6	6020010414-8	Pressure Washer 3/4" Media Industry	12	12	16	16	
7	6020310770-9	Hexagonal Nut 3/4" 10F Unc Gr5 Ch.1.7/32" Height 18,50Mm	12	12	16	16	
8	6020310183-2	Hexagonal Head Bolt 5/8" X 1" 11F Unc1A Gr2 Rt	4	4	8	8	
9	6020010412-1	Pressure Washer 5/8" Media Industry	4	4	8	8	
10	5232010348-7	Shaft Ø1.5/8" X 2090Mm	2				
10	5232010349-5	Shaft Ø1.5/8" X 2330Mm		2			
10	5232050267-5	Shaft Ø1.5/8" X 1160Mm			2		
10	5232010345-2	Shaft Ø1.5/8" X 1390Mm			2	4	
11	5024010365-3	Convex Washer Ø1.5/8"	2	2	4	4	
12	5024010366-1	Convex Washer Ø1.5/8"	2	2	4	4	
13	5558010096-0	Lock Nut Shaft	4	4	8	8	
*14	5368010289-5	Complete Front/Rear Grease Bearing Of 250Mm W/Protection For Shaft Ø1.5/8"	6	6	8	8	
*14	5368010293-3	Complete Front/Rear Grease Bearing Of 250Mm Without Protection For Shaft Ø1.5/8"	6	6	8	8	
*14	5368010321-2	Complete Axial (Oil) Front/Rear Bearing Of 250Mm Without Protection For Shaft Ø1.5/8"	6	6	8	8	
*14	5368010356-5	Complete Axial (Oil) Front/Rear Bearing Of 250Mm W/Protection For Shaft Ø1.5/8"	6	6	8	8	
15	5024010367-0	Smooth Washer Ø43 X Ø78 X 3,00Mm	4	4	8	8	
Optional							
16	2765420262-7	Concave Notched Disc Blade 22 X 5,00 Hc Rd 1.5/8 Single Bevel	1				
16	2765420273-2	Concave Notched Disc Blade 22 X 5,00 Hc Rd 1.5/8 Internal Bevel	1				
16	2765430273-7	Concave Notched Disc Blade 22 X 6,00 Hc Rd 1.5/8 Internal Bevel	1				
17	5120010031-3	Spool Of 224Mm For Shaft Of 1.5/8"	11	13	11	13	
18	5232010348-7	Shaft Ø1.5/8" X 2090Mm	1				
18	5232010349-5	Shaft Ø1.5/8" X 2330Mm	1	1			
18	5232010350-9	Shaft Ø1.5/8" X 2550Mm		1			
18	5232010345-2	Shaft Ø1.5/8" X 1390Mm			1	3	
18	5232010347-9	Shaft Ø1.5/8" X 1605Mm			1	1	
18	5232050267-5	Shaft Ø1.5/8" X 1160Mm			2		



Item	Code	Product description	All	CRSGI-28	CRSGI-32
1	5024010365-3	Convex Washer Ø1.5/8"	4		
2	5024010366-1	Convex Washer Ø1.5/8"	4		
3	5558010096-0	Lock Nut Shaft	8		
4	5456010072-0	Hexagonal Nut Ø1.5/8" 7Fpp-W Gr5 Wrench 69Mm Height 44Mm (Special)	8		
5	6020310183-2	Hexagonal Head Bolt 5/8" X 1" 11F Unc1A Gr2 Rt	8		
6	5368010289-5	Complete Front/Rear Grease Bearing Of 250Mm W/Protection For Shaft Ø1.5/8"	8		
6	5368010321-2	Complete Axial (Oil) Front/Rear Bearing Of 250Mm Without Protection For Shaft Ø1.5/8"	8		
6	5368010356-5	Complete Axial (Oil) Front/Rear Bearing Of 250Mm W/Protection For Shaft Ø1.5/8"	8		
7	2667420273-2	Concave Plain Disc Blade 24 X 5,00 Hc Rd 1.5/8 Internal Bevel	28	32	
7	2767420273-9	Concave Notched Disc Blade 24 X 5,00 Hc Rd 1.5/8 Internal Bevel	28	32	
7	2769420273-5	Concave Notched Disc Blade 26 X 5,00 Hc Rd 1.5/8 Internal Bevel	28	32	
7	2769430273-0	Concave Notched Disc Blade 26 X 6,00 Hc Rd 1.5/8 Internal Bevel	28	32	
8	5120010011-9	Spool Of 225Mm For Shaft Of Ø1.5/8"	16	20	
9	5024010367-0	Smooth Washer Ø43 X Ø78 X 3,00Mm	8		
10	5232050005-2	Shaft Ø1.5/8" X 1620Mm	4		
10	5232010625-7	Shaft Ø1.5/8" X 1880Mm		4	
11	6020010412-1	Pressure Washer 5/8" Media Industry	8		
12	6020310784-9	Hexagonal Nut 3/4" 10F Unc Gr5 Ch.1.1/4" Height 11,00Mm	16		
13	6020310240-5	Square Head Bolt 3/4" X 2.3/4" 10F Unc1A Gr5 Excentric Rp	16		
14	6020310770-9	Hexagonal Nut 3/4" 10F Unc Gr5 Ch.1.7/32" Height 18,50Mm	16		
15	5024010007-7	Smooth Washer Ø20,3 X Ø46,5 X 4,75Mm	16		
Optional					
16	5120010011-9	Spool Of 225Mm For Shaft Of Ø1.5/8"		17	21
17	5232050005-2	Shaft Ø1.5/8" X 1620Mm	3		
17	5232050260-8	Shaft Ø1.5/8" X 1850Mm		1	
17	5232010625-7	Shaft Ø1.5/8" X 1880Mm			3
17	5232050270-5	Shaft Ø1.5/8" X 2085Mm			1
18	2767420273-9	Concave Notched Disc Blade 24 X 5,00 Hc Rd 1.5/8 Internal Bevel	1		

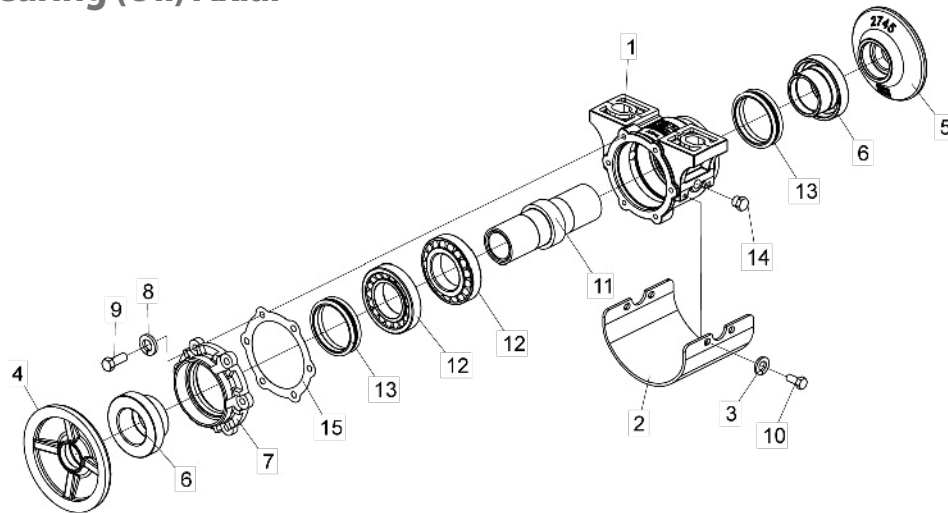
\* Item 6 - See Page 19

## • Bearing (Grease)



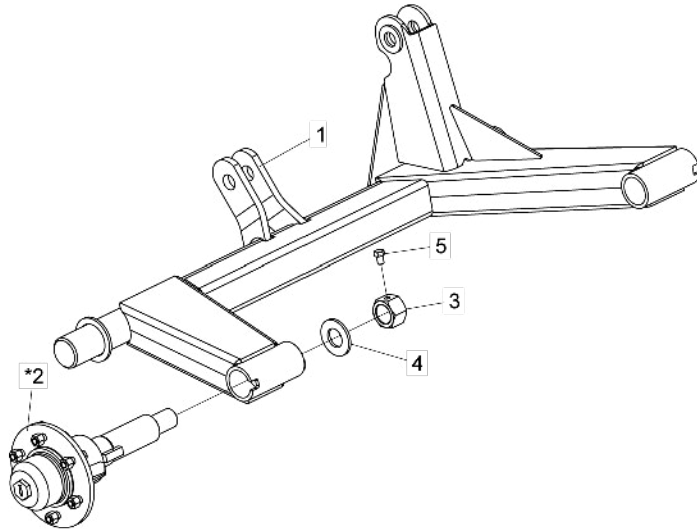
Item	Code	Product Description	All	Protection	
				With	Without
1	60201901076	Gascket Ø112 X Ø143 X 1/64"	4		
2	53680103468	Spare Front/Rear Grease Bearing W/Protection		1	
2	53680103310	Spare Front/Rear Grease Bearing (Without Protection)			1
3	60203502357	Retainer Ø78,00 X Ø100,00 X 17,50Mm	2		
4	60203500729	Bearing 30212	2		
5	50800106866	Bearing Bushing	1		
6	55380100893	Bearing Cover	1		
7	60200104067	Pressure Washer 3/8" Media Industry	6		
8	60203100216	Hexagonal Head Bolt 3/8" X 1" 16F Unc1A Gr5 Rt (Phosphated)	6		
9	50240106997	Concave Washer Of Bearing	1		
10	50240107004	Convex Washer Of Bearing	1		
11	50800800070	Bushing	2		
12	60201301087	Grease Fitting 1/8"	2		
13	54640200360	Bearing Protection			1
14	60200104040	Pressure Washer 5/16" Media Industry			4
15	60203120209	Hexagonal Head Bolt 5/16" X 3/4" 18F Unc1A Gr5 Rt			4

## • Bearing (Oil) Axial



Item	Code	Product Description	All	Protection	
				Without	With
1	5368010697-1	Spare Front/Rear Oil Bearing (Without Protection)			1
1	5368010698-0	Spare Front/Rear Oil Bearing W/Protection		1	
2	5464020036-0	Bearing Protection		1	
3	6020010404-0	Pressure Washer 5/16" Media Industry			4
4	5024010699-7	Concave Washer Of Bearing	1		
5	5024010700-4	Convex Washer Of Bearing	1		
6	5080010247-0	Bushing 1.5/8"	2		
7	5538010155-5	Bearing Cover	1		
8	6020010406-7	Pressure Washer 3/8" Media Industry	6		
9	6020310021-6	Hexagonal Head Bolt 3/8" X 1" 16F Unc1A Gr5 Rt (Phosphated)	6		
10	6020312020-9	Hexagonal Head Bolt 5/16" X 3/4" 18F Unc1A Gr5 Rt			4
11	5080010686-6	Bearing Bushing	1		
12	6020350072-9	Bearing 30212	2		
13	6020010297-8	Ring Ø77 X Ø93Mm	2		
14	5081010007-6	Hexagonal Head Plug 3/4" - R.3/8" - 19F - Bspt(Gas)	2		
15	6020190107-6	Gascket Ø112 X Ø143 X 1/64"	4		

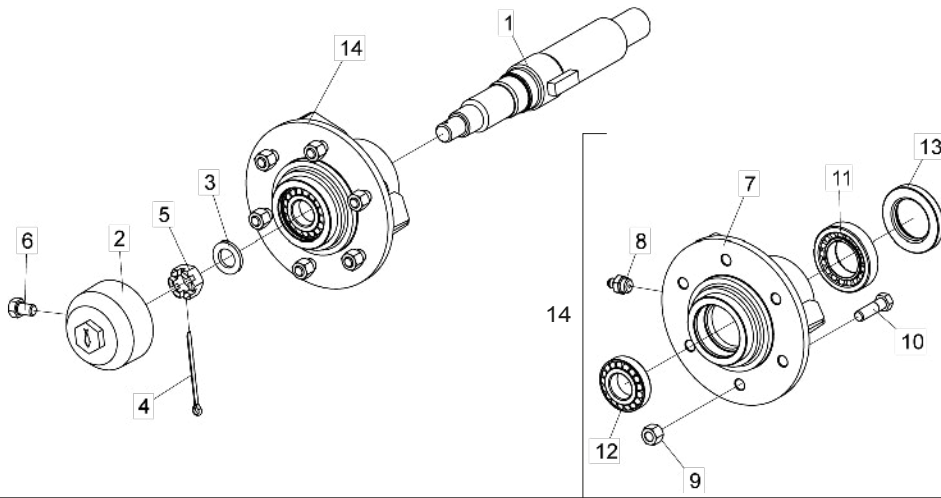
## • Complete Articulation Shaft 12 to 28 Discs



\* Item 2 - See Page 20

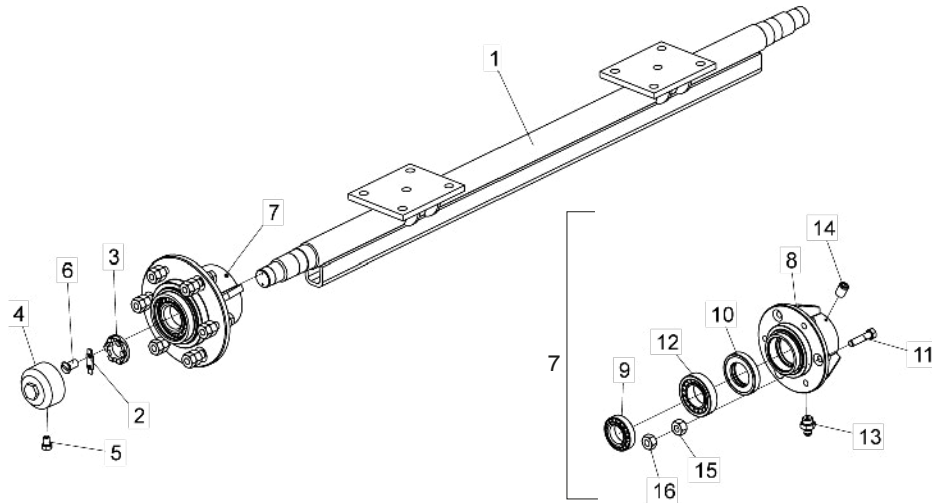
Item	Code	Product Description	All	CRSG 12 to 16	CRSG 18 to 28	CRSGL
1	5232040082-1	Articulation Shaft		1		
1	5232040004-0	Articulation Shaft			1	
1	5232040048-1	Articulation Shaft				1
*2	5232160020-4	Complete Wheel Shaft	2			
3	5456010030-5	Hexagonal Nut Ø1.5/8" 7F With Hole Ø1/2"	2			
4	5024010347-5	Smooth Washer Ø41,5 X Ø80 X 6,30Mm	2			
5	6020311046-7	Hexagonal Head Bolt 1/2" X 3/4" 12F W Gr2 Rt	2			

## • Complete Wheel Shaft 12 to 28 Discs



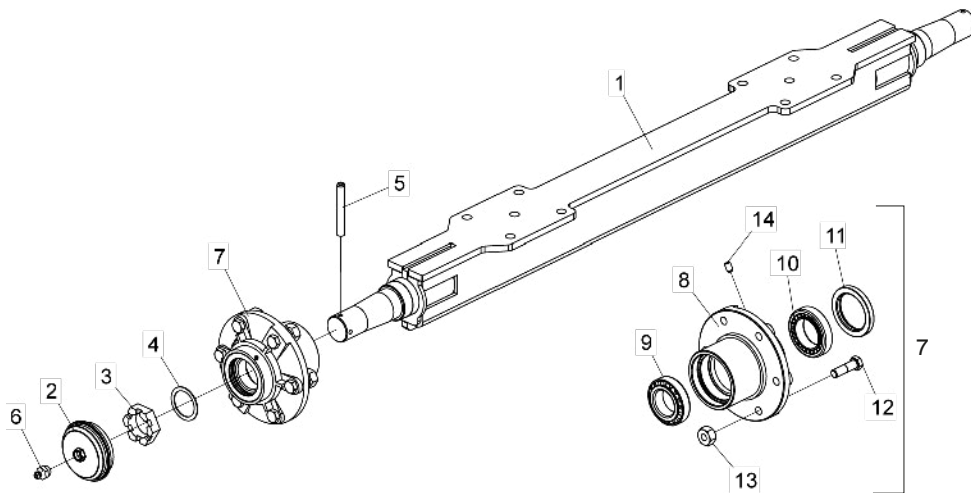
Item	Code	Product Description	All
1	5232030007-0	Shaft With Wheel Lock	1
2	5096020004-4	Wheel Hub Cap	1
3	5024010039-5	Smooth Washer Ø26,2 X Ø44 X 4,75Mm	1
4	6020050102-3	Cotterpin 1/8" X 2.1/2" (White Galvanised)	1
5	6020310800-4	Nut 1" 14F Uns Gr5 Ch.1.1/2" Height 22,00Mm	1
6	6020311020-3	Hexagonal Head Bolt 5/16" X 1/2" 18F Unc1A Gr2 Rt	1
7	5204010063-6	Wheel Hub	1
8	6020130108-7	Grease Fitting 1/8"	1
9	6020310816-0	Double Conic Hexagonal Nut Of Wheel 9/16" 18F Unf Gr5 Ch.7/8" Height 19,00Mm	6
10	6020310998-1	Hexagonal Head Bolt 9/16" X 2" 18F Unf1A Gr5 Rp	6
11	6020350056-7	Bearing 32210	1
12	6020350080-0	Bearing 30207	1
13	6020350224-1	Retainer Ø55,00 X Ø90,00 X 12,50Mm	1
14	5204060025-6	Spare Hub	1

## • Complete Wheel Shaft 32 to 48 Discs



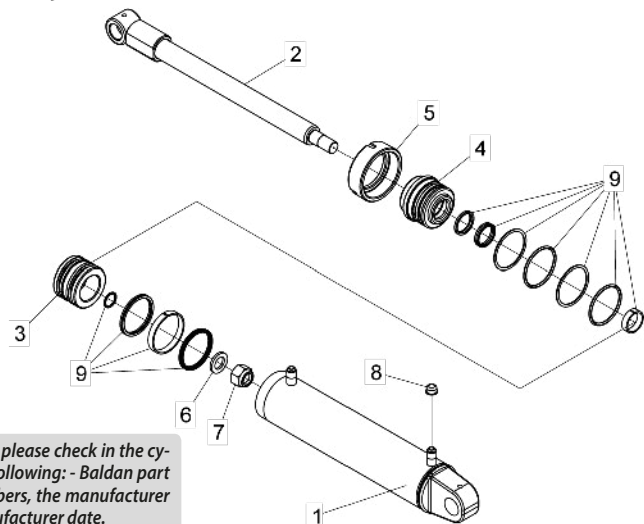
Item	Code	Product Description	All
1	5232030060-6	Spare Wheel Shaft	1
2	5558020002-7	Lock(Small)	2
3	5456020007-5	Nut Ø48,7 - 14 Fpp-W (Special)	2
4	5096020006-0	Wheel Hub Cap	2
5	6020311020-3	Hexagonal Head Bolt 5/16" X 1/2" 18F Unc1A Gr2 Rt	2
6	6020310128-0	Bolt (Thread Machined) 1/4" X 1/2" 20F Unc1A Gr5 Rt	4
7	5204010255-8	Complete Wheel Hub	2
8	5204010015-6	Wheel Hub	1
9	6020350056-7	Bearing 32210	1
10	6020350242-0	Retainer Ø63,50 X Ø110,00 X 18,00Mm	1
11	6020311078-5	Hexagonal Head Bolt 5/8" X 2.3/4" 18F Unf1A Gr5 Rp	6
12	6020350074-5	Bearing 32212	1
13	6020130108-7	Grease Fitting 1/8"	1
14	6020310096-8	Allen Bolt S/C 5/16" X 1/2" 18F Unc1A Cl12.9 Rt (Phosphated)	2
15	6020310807-1	Conic Hexagonal Nut Of Wheel 5/8" 18F Unf Gr5 Ch.1.1/16" Height 19,00Mm	6
16	6020310805-5	Hexagonal Nut 5/8" 18F Unf Gr5 Ch.1.1/16" Height 13,50Mm	6

## • Complete Wheel Shaft (Special Wheel) 32 to 48 Discs



Item	Code	Product Description	All
1	5232011923-5	Shaft 2094Mm Completo	1
2	5096010051-1	Hub Cap	2
3	5456020010-5	Nut 2.1/2" 12F	2
4	5024010711-0	Smooth Washer Ø64 X Ø82 X 2Mm	2
5	6020310489-0	Heavy Elastic Pin Ø10 X 75Mm (Seeger Reno 701.224)	2
6	6020130108-7	Grease Fitting 1/8"	4
7	5204010493-3	Complete Wheel Hub	2
8	5204010492-5	Wheel Hub	2
9	6020350196-2	Bearing 3920/3982 (Cover/Cone)	2
10	6020350190-3	Bearing 33287/33462 Cover/Cone	2
11	6020350280-2	Retainer Ø87,30 X Ø120,80 X 14,30Mm (Arca 5115 Bg / Sabo 00085 B)	2
12	6020311106-4	Hexagonal Head Bolt 3/4" X 2.3/4" 16F Unf1A Gr5 Rp (Knurled) (Phosphated)	12
13	6020310803-9	Conic Hexagonal Nut 3/4" 16F Unf Gr5 Ch.1.1/2" Height 22,00Mm	12
14	6020310096-8	Allen Bolt S/C 5/16" X 1/2" 18F Unc1A Cl12.9 Rt (Phosphated)	4

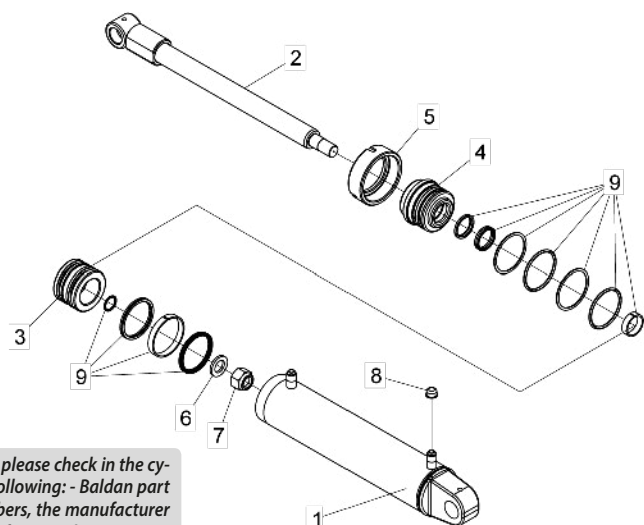
## • Hydraulic Cylinder for CRSG 12 to 28 Discs e CRSG-L



For spare parts order, please check in the cylinder jacket (1), the following: - Baldan part number with 11 numbers, the manufacturer code, name and manufacturer date.

Item	Code	Product Description	All	CRSG 12 to 16	CRSG 18 to 28 CRSG-L
1	5144010216-0	Kit Jacked de Ø88,9 (3.1/2") x 513mm		1	
1	5144010214-3	Kit Jacked de Ø88,9 (3.1/2") x 550mm			1
2	5326020161-8	Piston Rod Ø41,27 (1.5/8") x 476.5mm		1	
2	5326020163-4	Piston Rod Ø41,27 (1.5/8") x 549mm			1
3	5024010323-8	Smooth Washer Ø27 X Ø44,5 X 4,75Mm	1		
4	6020310804-7	Self-Locking Nut With Nylon 1" 14F Uns Gr5 Ch.1.1/2" H.28,50Mm	1		
5	5152010010-9	Piston Coupling Ø41,68 X Ø88,70 X 66MM		1	
5	5152010001-0	Piston Coupling Ø41,68 X Ø88,50 X 80MM			1
6	5456050001-0	Piston Nut	1		
7	6020390042-5	Plastic Cover Bt-21(Bt 10.0021.0 Nt) Colourless	2		
8	5236010003-0	Produto Sem Tradução Cadastrada Para Idioma Selecionado!		1	
8	5236010001-4	Piston Plung De Ø26,72 X Ø88,30 X 60,00Mm			1
9	6020190067-3	Repair Kit For Hydraulic Cylinders "D.A" 1.5/8" X 3.1/2"	1		

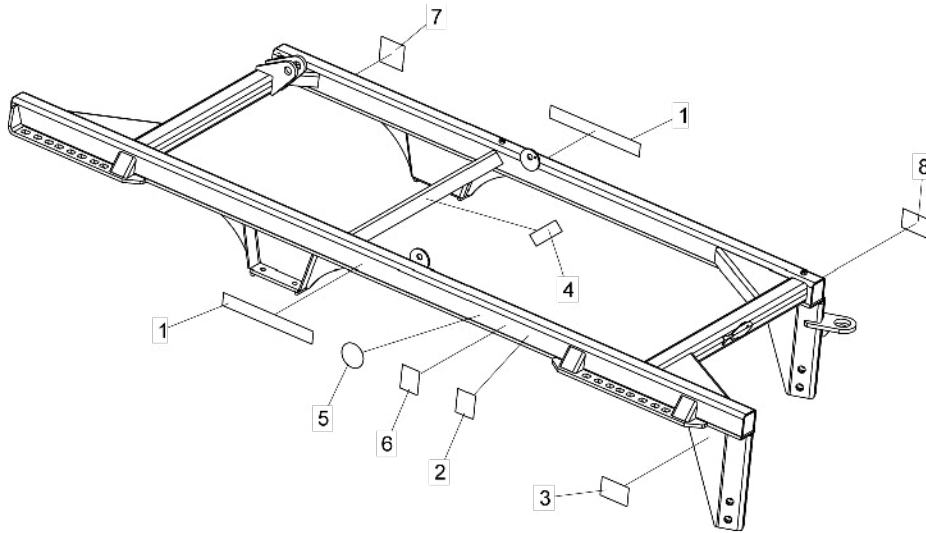
## • Hydraulic Cylinder for CRSG 32 to 48 Discs



For spare parts order, please check in the cylinder jacket (1), the following: - Baldan part number with 11 numbers, the manufacturer code, name and manufacturer date.

Item	Code	Product Description	All	Serial Cylinder	Cylinder For Special Wheel
1	5144010214-3	Kit Jacked de Ø88,9 (3.1/2") x 550mm		1	
1	5144040331-3	Kit Jacked de Ø88,9 (3.1/2") x 522mm			1
2	5326020163-4	Piston Rod Ø41,27 (1.5/8") x 549mm		1	
2	5326010418-3	Piston Rod Ø41,27 (1.5/8") X 530Mm			1
3	5236010001-4	Piston Plung De Ø26,72 X Ø88,30 X 60,00Mm		1	
4	5152010001-0	Piston Coupling Ø41,68 X Ø88,50 X 80MM		1	
5	5456050001-0	Piston Nut		1	
6	5024010323-8	Smooth Washer Ø27 X Ø44,5 X 4,75Mm		1	
7	6020310804-7	Self-Locking Nut With Nylon 1" 14F Uns Gr5 Ch.1.1/2" H.28,50Mm		1	
8	6020390042-5	Plastic Cover Bt-21(Bt 10.0021.0 Nt) Colourless		2	
9	6020190067-3	Repair Kit For Hydraulic Cylinders "D.A" 1.5/8" X 3.1/2"		1	

## • Stickers



Item	Code	Product Description	All	CRSG 12 to 48	CRSG-L
1	6020071096-0	Sticker Crsg-Baldan (500 X 65Mm)		2	
1	6020070829-9	Sticker Crsg-L (550 X 65Mm)			2
2	6020071027-7	Sticker Certificado Iso 9001-2008 (48 X 60Mm)	1		
3	5206010310-0	Sticker Disc Warning (150 X 95Mm)	1		
4	6020070886-8	Sticker Lubricate And Retighten (58 X 195Mm)	1		
5	5206010317-8	Sticker "OK" Approved Quality Control	1		
6	6020071026-9	Sticker Brazilian Company(48 X 60Mm)	1		
7	5206010150-7	Sticker - Warning -Place Piston Lock For Transport	1		
8	5206010308-9	Sticker Hydraulic Hoses Warning(150 X 95Mm)	1		



Item 1



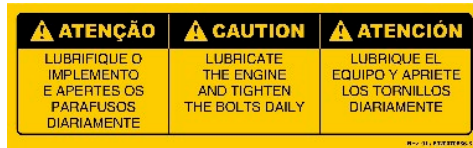
Item 1



Item 2



Item 3



Item 4



Item 5



Item 6



Item 7



Item 8

## ■ Numerical Index

Código	Página	Item	Código	Página	Item	Código	Página	Item	Código	Página	Item	Código	Página	Item	Código	Página	Item	Código	Página	Item	Código	Página	Item
50240106997	19	1	2767420273-9	16	25	5022010960-4	5	59	5024010039-5	11	16	5040030010-8	11	63	5138050016-0	6	103	5232030007-0	20	38	5352050039-8	6	3
50240107004	19	1	2767420273-9	17	26	5022010961-2	5	60	5024010039-5	13	17	5040030016-7	8	64	5138050016-0	9	104	5232030060-6	21	39	5352050039-8	8	4
50800106866	19	1	2767420273-9	18	26	5022010962-0	5	60	5024010039-5	20	18	5040030023-0	5	65	5138050016-0	11	104	5232040004-0	20	40	5352050039-8	11	5
50800800070	19	1	2767420273-9	18	27	5022010969-8	5	61	5024010061-1	5	19	5040120528-1	8	66	5138050016-0	13	*1	5232040015-5	5	41	5352050040-1	6	6
53680103310	19	1	2767430262-8	15	28	5022010970-1	5	62	5024010061-1	9	20	5080010247-0	19	67	5144010214-3	22	2	5232040015-5	13	42	5352050040-1	8	7
53680103468	19	1	2767430262-8	17	28	5022011739-9	13	63	5024010061-1	11	21	5080010686-6	19	68	5144010214-3	22	2	5232040023-6	8	43	5352050040-1	11	8
54640200360	19	1	2767430273-3	15	29	5022011739-9	13	64	5024010061-1	13	22	5081010007-6	19	69	5144010216-0	22	2	5232040044-9	11	44	5352050048-7	6	9
55380100893	19	1	2767430273-3	16	30	5022011751-8	13	65	5024010068-9	6	23	5084010001-1	5	70	5144040331-3	22	2	5232040048-1	20	45	5352050048-7	6	10
60200104040	19	2	2767430273-3	17	30	5022011751-8	13	66	5024010068-9	6	24	5084010003-8	14	71	5152010001-0	22	3	5232040074-0	9	46	5352050048-7	9	11
60200104067	19	2	2767470262-6	15	31	5022090005-0	5	67	5024010068-9	8	25	5084010064-0	5	72	5152010001-0	22	3	5232040081-3	5	47	5352050048-7	9	12
60201301087	19	2	2767470273-1	15	31	5022090006-9	5	68	5024010068-9	8	26	5084010064-0	11	73	5152010010-9	22	3	5232040082-1	20	48	5352050048-7	11	13
60201901076	19	2	2767470273-1	16	32	5022090019-0	5	69	5024010068-9	13	*27	5084010065-8	14	74	5204010015-6	21	3	5232050005-2	15	49	5352050048-7	11	14
60203100216	19	2	2769420262-0	15	32	5022090020-4	5	70	5024010130-8	8	28	5084020002-4	14	75	5204010063-6	20	*4	5232050005-2	15	49	5352050048-7	13	15
60203120209	19	2	2769420262-0	17	33	5022090029-8	5	71	5024010217-7	14	*29	5084020003-2	5	76	5204010255-8	21	*4	5232050005-2	16	50	5352050049-5	6	16
60203500729	19	2	2769420273-5	15	34	5022090033-6	5	72	5024010232-0	6	30	5084020003-2	11	77	5204010492-5	21	*5	5232050005-2	18	51	5352050049-5	6	17
60203502357	19	2	2769420273-5	16	35	5022090034-4	5	73	5024010232-0	8	31	5084020003-5	14	78	5204010493-3	21	6	5232050005-2	18	52	5352050049-5	9	18
2667420262-7	15	3	2769420273-5	17	36	5022090035-2	5	74	5024010232-0	11	32	5084020036-9	5	79	5204030001-5	6	7	5232050159-8	15	53	5352050049-5	9	19
2667420262-7	17	3	2769420273-5	18	37	50220900325-4	11	74	5024010232-8	22	33	5084020036-9	13	80	5204030001-5	8	8	5232050159-8	15	54	5352050049-5	11	20
2667420273-2	17	*4	2769430262-4	15	38	50220900326-2	11	75	5024010323-8	22	34	5084030014-2	14	81	5204030001-5	11	9	5232050159-8	16	54	5352050049-5	11	21
2667420273-2	18	*4	2769430262-4	16	39	50220900327-0	11	75	5024010347-5	20	*35	5084040017-1	8	82	5204030001-5	13	10	5232050160-1	15	55	5352050049-5	13	22
2667430262-1	15	*4	2769430262-4	17	40	50220900328-9	11	1	5024010365-3	15	36	5096010051-1	21	83	5204030007-4	9	11	5232050260-8	18	55	5368010289-5	15	23
2667430262-1	17	*4	2769430273-0	15	*41	50220900329-7	11	1	5024010365-3	16	37	5096020004-4	20	84	5204060025-6	20	12	5232050267-5	15	56	5368010289-5	16	24
2667430273-7	15	5	2769430273-0	16	*41	50220900330-0	11	1	5024010365-3	17	38	5096020006-0	21	85	5206010150-7	23	13	5232050267-5	15	57	5368010289-5	17	25
2667430273-7	16	6	2769430273-0	17	42	50220900331-9	11	1	5024010365-3	18	39	5120010011-9	15	86	5206010308-9	23	14	5232050267-5	16	58	5368010289-5	18	26
2667430273-7	17	6	2769430273-0	18	42	50220900332-7	11	1	5024010366-1	15	40	5120010011-9	15	*87	5206010310-0	23	15	5232050267-5	16	59	5368010293-3	15	27
2669420262-3	15	7	2769470262-2	15	43	50220900447-1	8	*2	5024010366-1	16	41	5120010011-9	16	88	5206010317-8	23	16	5232050267-5	17	60	5368010293-3	16	*28
2669430262-8	15	8	2769470273-8	15	44	50220900448-0	9	3	5024010366-1	17	42	5120010011-9	16	88	5224030018-4	8	17	5232050267-5	17	61	5368010293-3	17	*29
2669430262-8	16	9	2769470273-8	16	45	50220900449-8	5	4	5024010366-1	18	43	5120010011-9	18	88	5232010345-2	15	18	5232050270-5	18	62	5368010321-2	15	30
2669430262-8	17	*10	2770420262-3	15	46	50220900450-1	5	4	5024010367-0	15	44	5120010011-9	18	88	5232010345-2	15	19	5232160020-4	20	63	5368010321-2	16	31
2669430273-3	15	*10	2770420273-9	15	46	50220900451-0	8	4	5024010367-0	16	45	5120010031-3	17	88	5232010345-2	16	20	5236010001-4	22	64	5368010321-2	17	32
2669430273-3	16	11	2770420273-9	16	47	50220900452-8	9	4	5024010367-0	17	46	5120010031-3	17	89	5232010345-2	16	21	5236010001-4	22	65	5368010321-2	18	33
2669430273-3	17	12	2770430262-8	15	48	50220900453-6	8	4	5024010367-0	18	47	5136011952-5	14	89	5232010345-2	17	22	5236010003-0	22	66	5368010356-5	15	33
2669470273-1	15	13	2770430273-3	15	49	50220900454-4	9	5	5024010409-9	5	48	5136110002-0	14	90	5232010345-2	17	23	5324020001-1	9	67	5368010356-5	16	*34
2670430262-1	15	14	2770430273-3	16	50	50220900455-2	8	6	5024010634-2	5	49	5136110028-3	14	91	5232010347-9	17	24	5326010418-3	22	68	5368010356-5	17	35
2670430273-7	15	14	2770470262-6	15	51	50220900456-0	9	7	5024010634-2	8	50	5136110062-3	14	91	5232010348-7	17	25	5326020161-8	22	69	5368010356-5	18	36
2670430273-7	16	15	2770470273-1	15	52	50220900457-9	8	7	5024010634-2	11	51	5136110063-1	14	92	5232010348-7	17	26	5326020163-4	22	70	5368010697-1	19	36
2765420262-7	15	16	2770470273-1	16	52	50220900458-7	9	8	5024010634-2	13	52	5138010007-3	6	93	5232010349-5	17	27	5326020163-4	22	71	5368010698-0	19	37
2765420262-7	16	16	5022010560-9	8	53	5024010007-7	5	8	5024010699-7	19	53	5138010007-3	8	94	5232010349-5	17	28	5332010008-5	14	71	5372011083-7	5	38
2765420262-7	17	17	5022010561-7	8	54	5024010007-7	8	9	5024010700-4	19	54	5138010007-3	11	*95	5232010350-9	17	29	5332020003-9	14	71	5372011084-5	6	39
2765420273-2	15	18	5022010562-5	8	54	5024010007-7	11	9	5024010711-0	21	55	5138010007-3	13	96	5232010625-7	15	30	5348050006-3	6	71	5372011085-3	5	40
2765420273-2	16	18	5022010563-3	8	55	5024010007-7	13	10	5040010022-2	5	56	5138010019-7	6	97	5232010625-7	16	31	5348050006-3	9	72	5372011085-3	11	41
2765420273-2	17	19	5022010570-6	8	56	5024010007-7	15	10	5040010027-3	5	57	5138010019-7	8	98	5232010625-7	16	*32	5348050006-3	11	73	5372011085-3	13	42
2765430273-7	16	20	5022010575-7	11	57	5024010007-7	16	11	5040010138-5	11	58	5138010019-7	11	99	5232010625-7	18	33	5348050006-3	13	73	5372011086-1	6	43
2765430273-7	17	21	5022010576-5	11	57	5024010007-7	17	12	5040010237-3	8	59	5138010019-7	13	100	5232010625-7	18	34	5348050009-8	5	74	5372011086-1	11	44
2767420262-3	15	22	5022010577-3	11	58	5024010007-7	18	13	5040010851-7	13	60	5138020001-9	9	101	5232010945-0	8	35	5348050009-8	9	74	5372011086-1	13	45
2767420262-3	17	23	5022010578-1	11	58	5024010039-5	5	14	5040010873-8	13	61	5138020001-9	11	102	5232011923-5	21	36	5348050009-8	11	1	5372011088-8	8	46
2767420273-9	15	24	5022010959-0	5	59	5024010039-5	9	15	5040020003-0	14	62	5138020001-9	13	103	5232011924-3	9	37	5348050009-8	13	2	5404010122-8	11	47

## Numerical Index

Código	Página	Item	Código	Página	Item	Código	Página	Item	Código	Página	Item	Código	Página	Item	Código	Página	Item	Código	Página	Item
5404010356-5	8	48	5498100003-2	6	1	6010600995-6	14	16	6020050356-5	6	1	6020310144-1	5	6	6020310760-1	13	11	6020311139-0	14	8
5404010358-1	5	49	5498100003-2	11	1	6020010297-8	19	16	6020050356-5	8	2	6020310144-1	8	6	6020310770-9	6	12	6020311140-4	6	9
5404010522-3	5	50	5498100005-9	6	1	6020010404-0	19	16	6020050356-5	11	2	6020310144-1	8	6	6020310770-9	8	13	6020311140-4	13	10
5404010945-8	13	51	5498100005-9	11	1	6020010406-7	8	16	6020050356-5	13	2	6020310144-1	13	7	6020310770-9	11	14	6020311140-4	14	11
5432010025-1	5	52	5498100005-9	13	1	6020010406-7	19	17	6020050359-0	9	2	6020310183-2	9	7	6020310770-9	13	15	6020311156-0	6	12
5432010025-1	13	53	5498100008-3	8	1	6020010410-5	5	18	6020050362-0	6	2	6020310183-2	15	7	6020310770-9	15	1	6020311156-0	13	13
5432030133-8	5	54	5498100028-8	9	1	6020010410-5	5	18	6020055687-1	6	2	6020310183-2	16	7	6020310770-9	16	1	6020311156-0	14	14
5432030133-8	9	55	5498100029-6	9	1	6020010410-5	8	*1	6020055687-1	8	2	6020310183-2	17	8	6020310770-9	17	1	6020311195-1	5	1
5432030133-8	11	56	5498100070-9	9	1	6020010410-5	8	*1	6020055687-1	11	2	6020310183-2	18	9	6020310770-9	18	*2	6020311195-1	11	1
5432030133-8	13	57	5498100072-5	6	1	6020010410-5	11	*1	6020055687-1	13	2	6020310240-5	15	10	6020310778-4	6	3	6020311195-1	13	2
5432040003-4	14	58	5530060020-3	6	1	6020010410-5	11	*1	6020055688-0	6	2	6020310240-5	16	10	6020310778-4	6	4	6020311196-0	9	2
5432040027-1	9	59	5530060020-3	8	1	6020010410-5	13	2	6020055697-9	9	2	6020310240-5	17	11	6020310778-4	9	5	6020312020-9	19	3
5432060023-8	5	60	5530060020-3	11	1	6020010412-1	9	2	6020070829-9	23	2	6020310240-5	18	12	6020310778-4	9	1	6020350056-7	20	4
5432060023-8	11	61	5530060020-3	13	1	6020010412-1	15	2	6020070886-8	23	2	6020310242-1	5	13	6020310778-4	11	2	6020350056-7	21	5
5432080016-4	9	62	5530140006-2	8	1	6020010412-1	16	2	6020071026-9	23	2	6020310242-1	9	14	6020310778-4	11	3	6020350072-9	19	5
5432120012-8	8	63	5530140010-0	6	1	6020010412-1	17	2	6020071027-7	23	3	6020310242-1	11	15	6020310778-4	13	4	6020350074-5	21	6
5432120021-7	5	64	5530140010-0	13	1	6020010412-1	18	2	6020071096-0	23	4	6020310242-1	13	16	6020310778-4	13	5	6020350080-0	20	7
5432120021-7	8	1	5530140029-1	6	1	6020010414-8	6	2	6020130108-7	5	5	6020310248-0	8	17	6020310778-4	14	6	6020350190-3	21	8
5432120021-7	13	1	5530140029-1	11	1	6020010414-8	8	2	6020130108-7	8	6	6020310249-9	14	17	6020310778-4	14	7	6020350196-2	21	8
5432120022-5	5	2	5530540014-8	8	1	6020010414-8	11	2	6020130108-7	9	7	6020310400-9	6	17	6020310784-9	13	8	6020350224-1	20	9
5432120022-5	11	3	5530540015-6	9	1	6020010414-8	13	2	6020130108-7	11	8	6020310400-9	11	17	6020310784-9	18	9	6020350242-0	21	1
5432120025-0	5	4	5538010155-5	19	1	6020010414-8	15	2	6020130108-7	13	9	6020310406-8	6	18	6020310793-8	6	10	6020350280-2	21	1
5432120025-0	9	5	5558010096-0	15	1	6020010414-8	16	2	6020130108-7	14	10	6020310406-8	8	1	6020310793-8	13	11	6020350397-3	6	2
5432120025-0	11	6	5558010096-0	16	1	6020010414-8	17	2	6020130108-7	14	10	6020310406-8	11	2	6020310793-8	14	12	6020350400-7	6	2
5432120025-0	13	7	5558010096-0	17	1	6020010420-2	6	2	6020130108-7	20	10	6020310406-8	13	2	6020310800-4	20	13	6020350400-7	11	3
5432120038-1	5	8	5558010096-0	18	1	6020010420-2	9	3	6020130108-7	21	10	6020310407-6	9	3	6020310803-9	21	14	6020350402-3	6	4
5432120038-1	8	1	5558010248-3	9	1	6020010420-2	11	4	6020130108-7	21	11	6020310409-2	9	4	6020310804-7	22	1	6020350402-3	11	5
5432120038-1	11	1	5558020002-7	21	2	6020010420-2	13	4	6020190067-3	22	12	6020310413-0	6	5	6020310804-7	22	2	6020350402-3	13	6
5432120038-1	13	2	5558040009-3	5	2	6020010420-2	14	4	6020190067-3	22	13	6020310415-7	9	6	6020310805-5	21	3	6020350419-8	9	7
5432120044-6	6	3	5558040009-3	9	2	6020010420-2	14	5	6020190107-6	19	*14	6020310420-3	9	7	6020310807-1	21	4	6020350954-8	8	8
5432120044-6	9	4	5558040009-3	11	2	6020010424-5	6	6	6020250293-0	6	*14	6020310421-1	6	8	6020310816-0	20	5	6020370264-0	6	9
5432120044-6	11	5	5558040009-3	13	2	6020010424-5	13	7	6020250293-0	9	*14	6020310421-1	9	9	6020310998-1	20	6	6020370264-0	9	1
5432120090-0	9	6	5558040025-5	5	3	6020010424-5	14	8	6020250293-0	11	*14	6020310421-1	11	10	6020311020-3	20	7	6020370264-0	11	1
5456010022-4	8	7	5558210003-8	5	4	6020010817-8	9	9	6020250293-0	13	15	6020310421-1	13	11	6020311020-3	21	8	6020390042-5	22	2
5456010022-4	14	8	5558210003-8	9	5	6020030104-0	5	10	6020250681-2	8	16	6020310431-9	5	12	6020311030-0	8	9	6020390042-5	22	3
5456010030-5	20	9	5558210003-8	11	*6	6020030104-0	9	11	6020250943-9	8	16	6020310431-9	11	13	6020311045-9	6	10	6020390308-4	6	4
5456010072-0	15	9	5558210003-8	13	*6	6020030104-0	11	12	6020310021-6	19	16	6020310431-9	13	14	6020311045-9	9	11	6020390308-4	8	5
5456010072-0	16	10	5566010002-3	9	*6	6020050102-3	20	13	6020310026-7	8	17	6020310489-0	21	15	6020311045-9	11	12	6020390308-4	11	6
5456010072-0	17	11	5566010026-0	6	*6	6020050116-3	5	14	6020310054-2	6	18	6020310746-6	8	1	6020311045-9	13	13	6020390308-4	13	7
5456010072-0	18	1	5566010026-0	11	7	6020050116-3	6	15	6020310054-2	9	18	6020310754-7	5	1	6020311046-7	6	14	6020410040-6	9	8
5456020007-5	21	2	5566010026-0	13	8	6020050116-3	9	16	6020310054-2	11	18	6020310754-7	5	2	6020311046-7	20	15			
5456020010-5	21	3	5566080078-5	6	9	6020050116-3	11	17	6020310054-2	14	18	6020310754-7	8	3	6020311078-5	21	16			
5456050001-0	22	4	5566080078-5	9	10	6020050116-3	13	17	6020310096-8	21	18	6020310754-7	8	4	6020311104-8	11	1			
5456050001-0	22	5	5566080078-5	11	11	6020050118-0	9	17	6020310096-8	21	18	6020310754-7	11	5	6020311106-4	21	2			
5460030007-8	11	6	5566080078-5	13	12	6020050118-0	11	17	6020310128-0	21	1	6020310754-7	11	6	6020311114-5	9	3			
5460040002-1	6	7	6010600463-6	6	13	6020050122-8	8	17	6020310139-5	11	2	6020310754-7	13	7	6020311136-6	8	4			
5460040002-1	9	8	6010600463-6	9	14	6020050122-8	14	18	6020310143-3	11	3	6020310760-1	5	8	6020311136-6	14	5			
5460040002-1	13	9	6010600463-6	11	15	6020050350-6	6	18	6020310143-3	11	4	6020310760-1	8	9	6020311139-0	6	6			
5464020036-0	19	10	6010600463-6	13	16	6020050350-6	11	18	6020310144-1	5	5	6020310760-1	11	10	6020311139-0	11	7			





**Baldan Implementos Agrícolas S/A.**

Avenida Baldan, 1500 | Nova Matão

Zip Code: 15993-000 | Matão/SP | Brasil

Phone.: +55 (16) 3221-6500

[www.baldan.com.br](http://www.baldan.com.br)

[sac@baldan.com.br](mailto:sac@baldan.com.br) | [export@baldan.com.br](mailto:export@baldan.com.br)