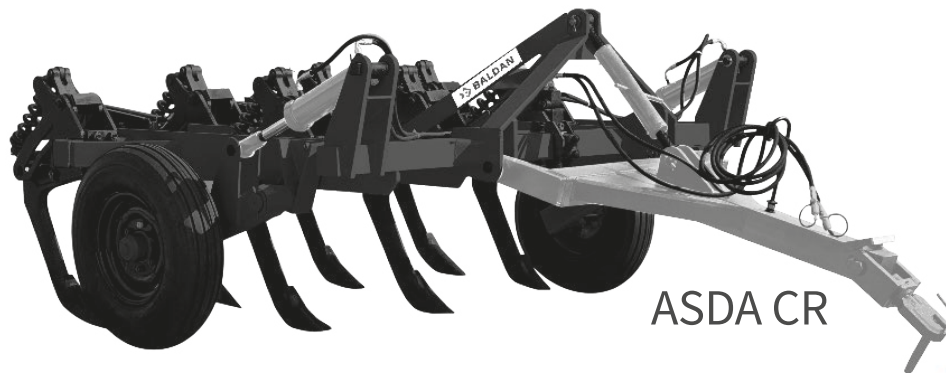
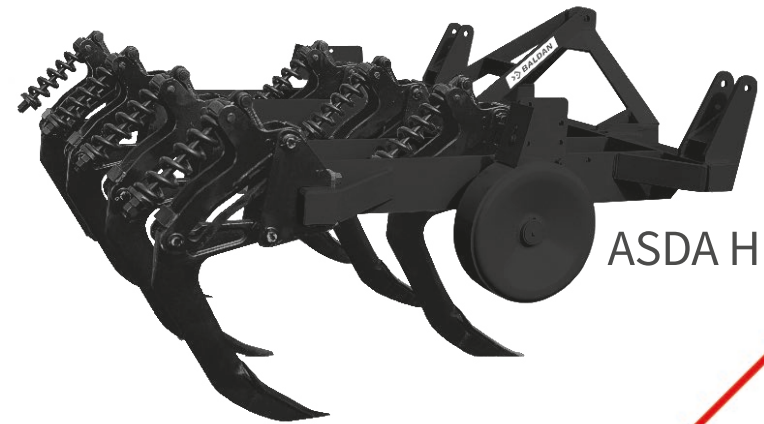


Parts Catalog



ASDA DR/CR/H

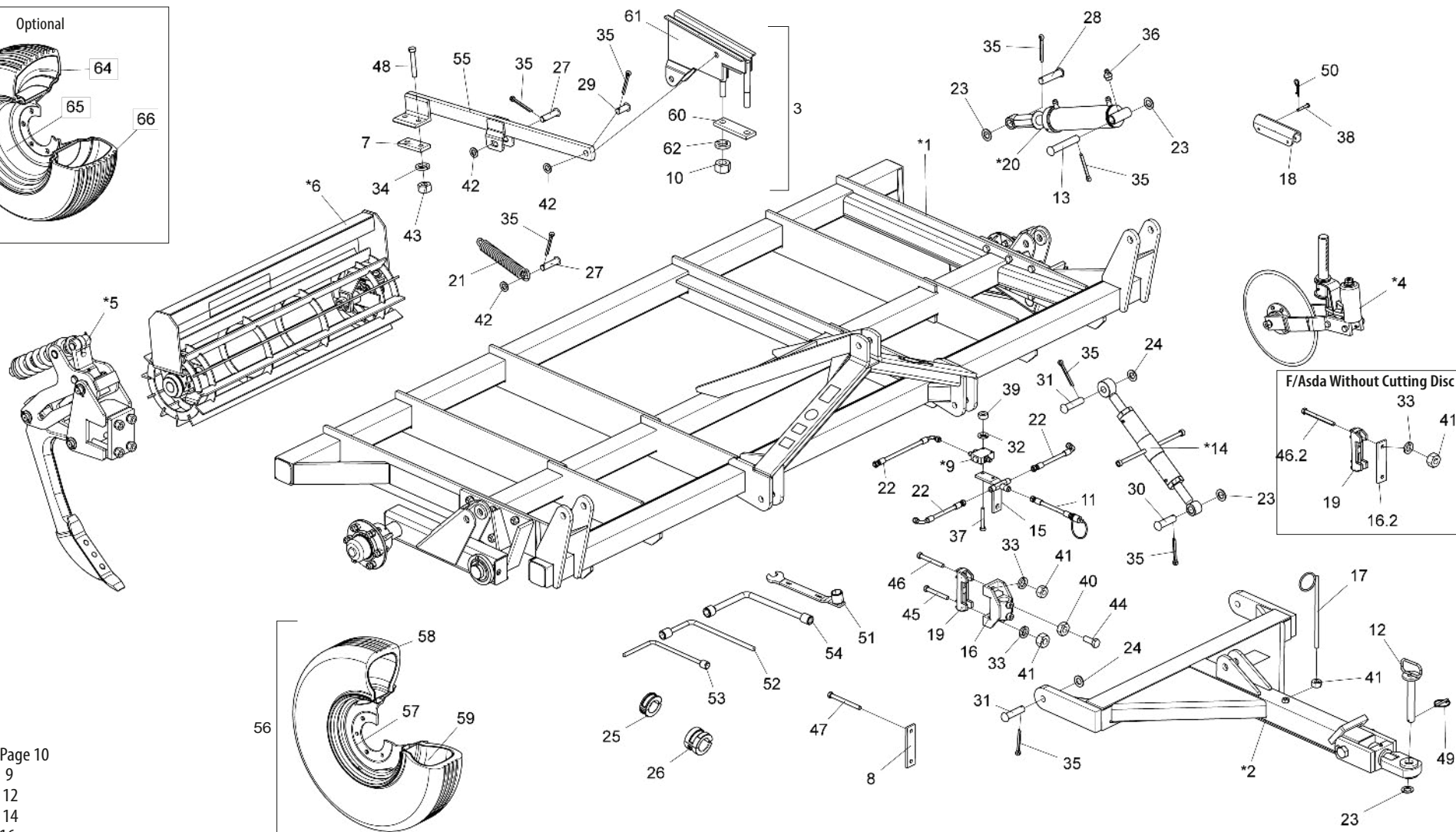
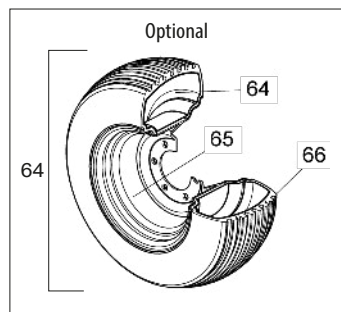
Plow Subsoiler with Automatic Shank
(With Spiral and Plain Spring)

 **BALDAN**

▪ Index

<i>ASDA DR</i>	4
<i>Table ASDA DR</i>	5
<i>ASDA CR</i>	6
<i>Table ASDA CR</i>	7
<i>ASDA H</i>	8
<i>Complete Depth Control Wheel ASDA-H</i>	9
<i>Hitch Drawbar ASDA-DR / CR</i>	9
<i>Main Frame ASDA-DR / CR (Hydraulic Shaft)</i>	10
<i>Cylinder ASDA-DR / CR</i>	10
<i>Articulation Support ASDA-DR / CR 05, 07 and 09 Shanks (Hydraulic Shaft)</i>	11
<i>Articulation Support ASDA-DR / CR 11 and 13 Shanks (Hydraulic Shaft)</i>	11
<i>Coulter Disc Cart ASDA-DR</i>	12
<i>3rd Regulator ASDA-DR / CR</i>	13
<i>Oil Distributor ASDA-DR / CR</i>	13
<i>Complete Subsoiler Shank (Helical Spring System) All Models</i>	14
<i>Complete Subsoiler Shank (Plain Spring System) All Models</i>	15
<i>Levelling Roller ASDA-DR</i>	16
<i>Bearing (Grease) ASDA-DR and ASDA-H</i>	17
<i>Radial Bearing (Oil) ASDA-DR and ASDA-H</i>	17
<i>Stickers</i>	18
<i>Stickers ASDA-DR and ASDA-CR</i>	19
<i>Stickers ASDA-H</i>	20

• ASDA DR

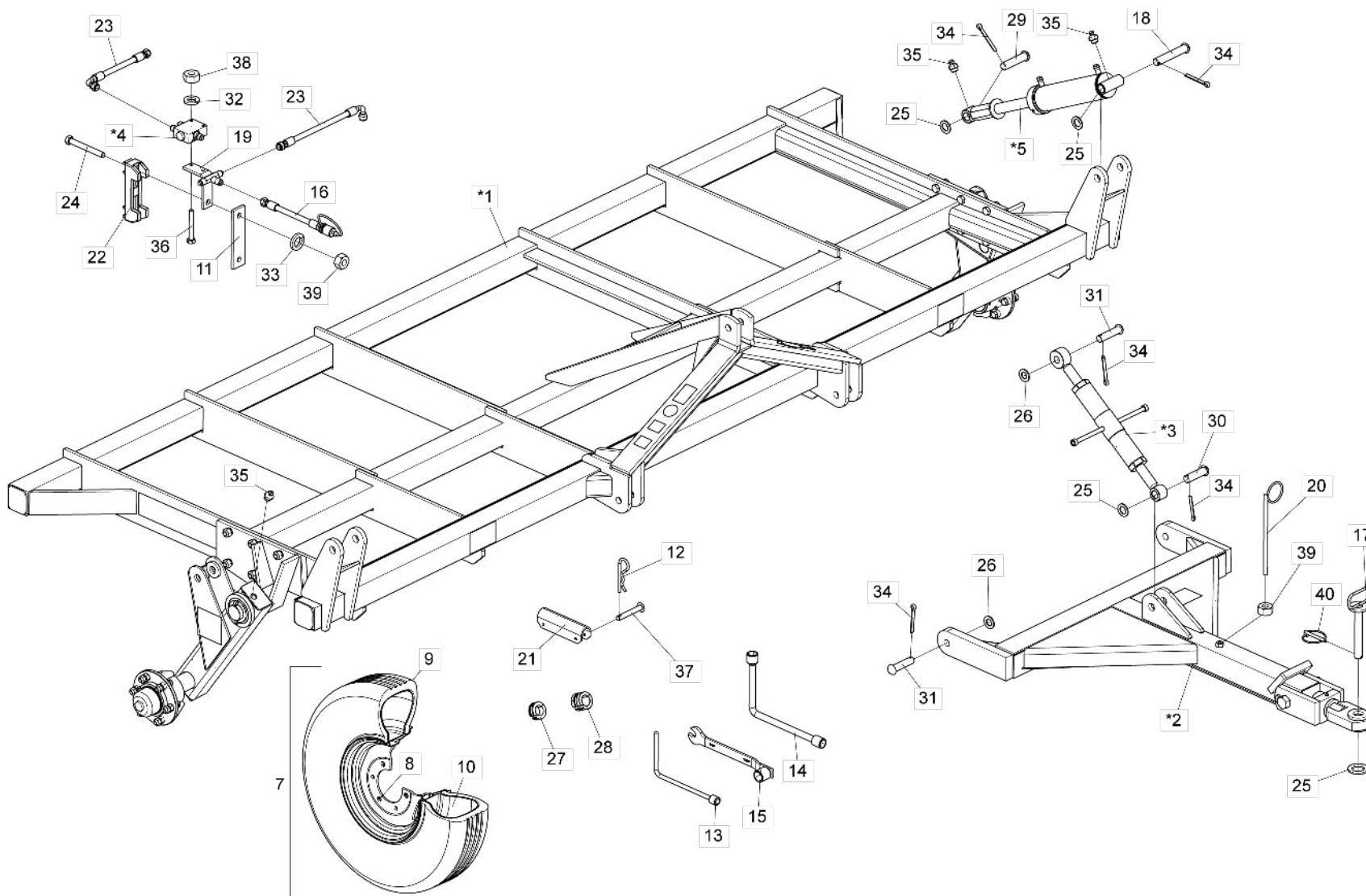
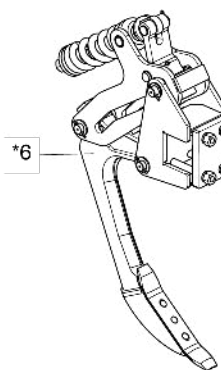
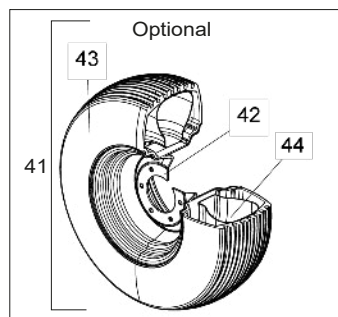


- * Itens 1 e 20 - See Page 10
- * Item 2 - See Page 9
- * Item 4 - See Page 12
- * Item 5 - See Page 14
- * Item 6 - See Page 16
- * Itens 9 e 14 - See Page 13

• Table ASDA DR

Item	Code	Product description	All						Item	Code	Product description	All					
				05 Shanks	07 Shanks	09 Shanks	11 Shanks	13 Shanks					05 Shanks	07 Shanks	09 Shanks	11 Shanks	13 Shanks
*1	5404050164-1	Complete Main Frame ASDACR/ASDAAdr-05 Skanks (With Hydraulic Shaft)	1						28	5432010228-9	French Head Pin Ø30,53 X 120mm				2	2	
*1	5404050165-0	Complete Main Frame ASDACR/ASDAAdr-07 Skanks (With Hydraulic Shaft)		1					29	6020317883-5	French Head Pin Ø1" X 65mm		2	4	4	6	6
*1	5404050166-8	Complete Main Frame ASDACR/ASDAAdr-09 Skanks (With Hydraulic Shaft)			1				30	6020310591-9	French Head Pin Ø30,53 X 98mm	1					
*1	5404050167-6	Complete Main Frame ASDACR/ASDAAdr-11 Skanks (With Hydraulic Shaft)				1			31	6020310660-5	French Head Pin Ø28 X 105mm	3					
*1	5404050168-4	Complete Main Frame ASDACR/ASDAAdr-13 Skanks (With Hydraulic Shaft)					1		32	6020010402-4	Pressure Washer 1/4" Media Industry	2					
*2	5084040109-7	Hitch Drawbar	1	1	1				33	6020010412-1	Pressure Washer 5/8" Media Industry		10	14	18	22	26
*2	5084040108-9	Hitch Drawbar				1	1		33	6020010412-1	Pressure Washer 5/8" Media Industry	2					
3	5530010428-1	Complete Support Of Arm	2	4	4	6	6		34	6020010414-8	Pressure Washer 3/4" Media Industry		4	8	8	12	12
*4	5124040126-0	Cutting Disc (Rippled Plain Disc Blade 18" X 5mm)	5	7	9	11	13		35	6020050116-3	Cotterpin 1/4" X 2"		14	20	20	26	26
*4	5124010198-3	Cutting Disc (Plain Disc Blade 18" X 5,00mm)	5	7	9	11	13		35	6020050116-3	Cotterpin 1/4" X 2"	8					
*5	5326011673-4	Complete Subsoiler Shank	5	7	9	11	13		36	6020130108-7	Grease Fitting 1/8"	5					
6	5502010115-5	Levelling Roller Of 1900mm Oil	1						37	6020310206-5	Hexagonal Head Bolt 1/4" X 2" 20F Unc Gr2 Rp	2					
6	5502010116-3	Levelling Roller Of 1900mm Grease	1						38	6020310421-1	French Head Pin Ø9,8 X 61mm	4					
6	5502010106-6	Levelling Roller Of 1300mm Oil		2					39	6020310742-3	Hexagonal Nut 1/4" 20F Unc Gr5 Ch.7/16" Height 5,50mm	2					
6	5502010107-4	Levelling Roller Of 1300mm Grease		2	3				40	6020310738-5	Hexagonal Nut 5/8" 11F Unc Gr5 Ch.1.1/16" Height 11,00mm		10	14	18	22	26
6	5502010104-0	Levelling Roller Of 1600mm Oil			2	3			41	6020310760-1	Hexagonal Nut 5/8" 11F Unc Gr5 Ch.1.1/16" Height 15,00mm		11	15	19	23	27
6	5502010103-1	Levelling Roller Of 1600mm Grease			2	3			41	6020310760-1	Hexagonal Nut 5/8" 11F Unc Gr5 Ch.1.1/16" Height 15,00mm	3					
7	5040120971-6	Bar Of 2.1/2" X 5/8" X 140mm	2	4	4	6	6		42	5024010039-5	Smooth Washer Ø26,2 X Ø44 X 4,75mm		6	12	12	18	18
8	5040121014-5	Support Valve Fixation Bar	1						43	6020310770-9	Hexagonal Nut 3/4" 10F Unc Gr5 Ch.1.7/32" Height 18,50mm		4	8	8	12	12
*9	5224010106-8	Oil Distributor	1						44	6020311043-2	Hexagonal Head Bolt 5/8" X 2.1/4" 11F Unc1A Gr5 Rt		10	14	18	22	26
10	6020310778-4	Hexagonal Nut 1" 8F Unc Gr5 Ch.1.5/8" Height 25,00mm		4	8	8	12	12	45	6020311081-5	Hexagonal Head Bolt 5/8" X 5" 11F Unc1A Gr5 Rp		9	13	17	21	25
11	5372011044-6	Hose Ø3/8" X 3500mm With 1Trg And 1Trf With Male Quickly Coupling	2						46.1	6020311082-3	Hexagonal Head Bolt 5/8" X 5.1/2" 11F Unc1A Gr5 Rp	1					
12	5432010025-1	Pin Ø1.1/4" X 215mm	1						46.2	6020312083-7	Hexagonal Head Bolt 5/8" X 7" 11F Unc1A Gr5 Rp	2					
13	5432120117-5	French Head Pin Ø30,53 X 165mm	2						47	6020312083-7	Hexagonal Head Bolt 5/8" X 7" 11F Unc1A Gr5 Rp	2					
*14	5484010119-6	Regulator R.1.1/4" Unc 530mm (Closed) - 730mm (Open)	1						48	6020311103-0	Hexagonal Head Bolt 3/4" X 5" 10F Unc1A Gr5 Rp		4	8	8	12	12
15	5530010188-6	Support Of Valve W/Nipple	1						49	6020390301-7	Lock Ø5,75 X 50mm	1					
16.1	5530010953-4	Cutting Disc Support	5	7	9	11	13		50	6020390308-4	Lock Nma - Type "R" Ø4,5 X 80mm	4					
16.2	5040121014-5	Support Valve Fixation Bar	1						51	6020058707-6	Wrench "L" For Hexagonal Nut 5/8" and 3/4"					1	1
17	5530060001-7	Small Support Of Hoses	1						52	6020058710-6	Wrench "L" For Hexagonal Nut 5/8"	1					
18	5558040023-9	Piston Lock Of 240mm	2	2	2				53	6020058712-2	Wrench "L" For Hexagonal Nut 1/2"		1	1	1		
18	5558010656-0	Piston Lock Of 335mm For Shank Of Ø1.5/8"				2	2		54	5138010030-8	Wrench P For Hexagonal Nut 3/4" - 7/8"	1					
19	6010601523-9	Clamp	5	7	9	11	13		55	5072010059-0	Spare Arm		2	4	4	6	6
*20	6020055720-7	Hydraulic Cylinder "D.A" Ø1.5/8" X Ø3.1/2" X 241mm(Course) X 635mm(Closed)	2	2	2				56	5498100005-9	Complete Wheel 750 X 16	2	2	2			
*20	6020059583-4	Hydraulic Cylinder "D.A" Ø1.5/8" X Ø3.1/2" X 326mm(Course) X 585mm(Closed)				2	2		56	5498100092-0	Complete Wheel 900 X 16 (Reinforced)					2	2
21	6020250348-1	Helical Spring Ø31 X Ø50 X 290mm	2	4	4	6	6		57	6020350402-3	Rim 5.5" X 16" 16.392	2	2	2			
22	6020251013-5	High Pressure Hydraulic Hose 3/8" X 900mm With 1Tcg And 1Trg (Sae 100R2 At - P.T.4800Psi)	2						57	6020350418-0	Rim Rb- 2212/16 X 600 With 06 Holes					2	2
22	6020250739-8	High Pressure Hydraulic Hose 3/8" X 1150mm With 1Tcg And 1Trg (Sae 100R2 At - P.T.4800Psi)	2						58	6020310406-8	Tyre 750 X 16 X 10 Ply	2	2	2			
22	6020250792-4	High Pressure Hydraulic Hose 3/8" X 1550mm With 1Tcg And 1Trg (Sae 100R2 At - P.T.4800Psi)	2	2					58	3020310408-4	Tire 900X16X10Ls					2	2
22	6020250796-7	High Pressure Hydraulic Hose 3/8" X 2000mm With 1Tcg And 1Trg (Sae 100R2 At - P.T.4800Psi)			2	2			59	6020050356-5	Inner Tube 750X16	2	2	2			
22	6020250889-0	High Pressure Hydraulic Hose 3/8" X 2400mm With 1Tcg And 1Trg (Sae 100R2 At - P.T.4800Psi)				2			59	6020050362-0	Inner Tube Pa 15/16					2	2
22	6020250892-0	High Pressure Hydraulic Hose 3/8" X 2700mm With 1Tcg 90° And 1Trg (Sae 100R2 At - P.T.4800Psi)				2			60	5040120970-8	Bar Of 2.1/2" X 5/8" X 200mm	2	4	4	6	6	6
22	6020250913-7	High Pressure Hydraulic Hose 3/8" X 1300mm With 1Tcg And 1Trg (Sae 100R2 At - P.T.4800Psi)	2	2					61	5530010429-0	Support Of Arm	2	4	4	6	6	6
22	6020251004-6	High Pressure Hydraulic Hose 3/8" X 1600mm With 1Tcg And 1Trg (Sae 100R2 At - P.T.4800Psi)				2			62	6020010420-2	Pressure Washer 1" Media Industry	4	8	8	12	12	12
22	6020250999-4	High Pressure Hydraulic Hose 3/8" X 2300mm With 1Tcg And 1Trg (Sae 100R2 At - P.T.4800Psi)				2					Opcional						
23	6020010453-9	Smooth Washer M33 Ø34,00 X Ø60,00 X 5,00mm	5						63	5498100072-5	Complete Wheel 11 X 15 - BI 10 Ply				2	2	
24	5024010192-8	Smooth Washer Ø30 X Ø52 X 4,75mm(Galvanised)	3						64	6020050362-0	Inner Tube Pa 15/16				2	2	
25	5348050006-3	Complete Limiter Of Ø42 X 25mm	4						65	6020350397-3	Rim 10.0 Ply x15" (Wheel 11X15)				2	2	
26	5348050009-8	Complete Limiter Of Ø42 X 49,5mm	4						66	6020310413-0	Tyre 11X15 BI 10Ply				2	2	
27	6020310596-0	French Head Pin Ø1" X 90mm	4	8	8	12	12										
28	5432120029-2	French Head Pin Ø30,53 X 113mm	2	2	2												

• ASDA CR

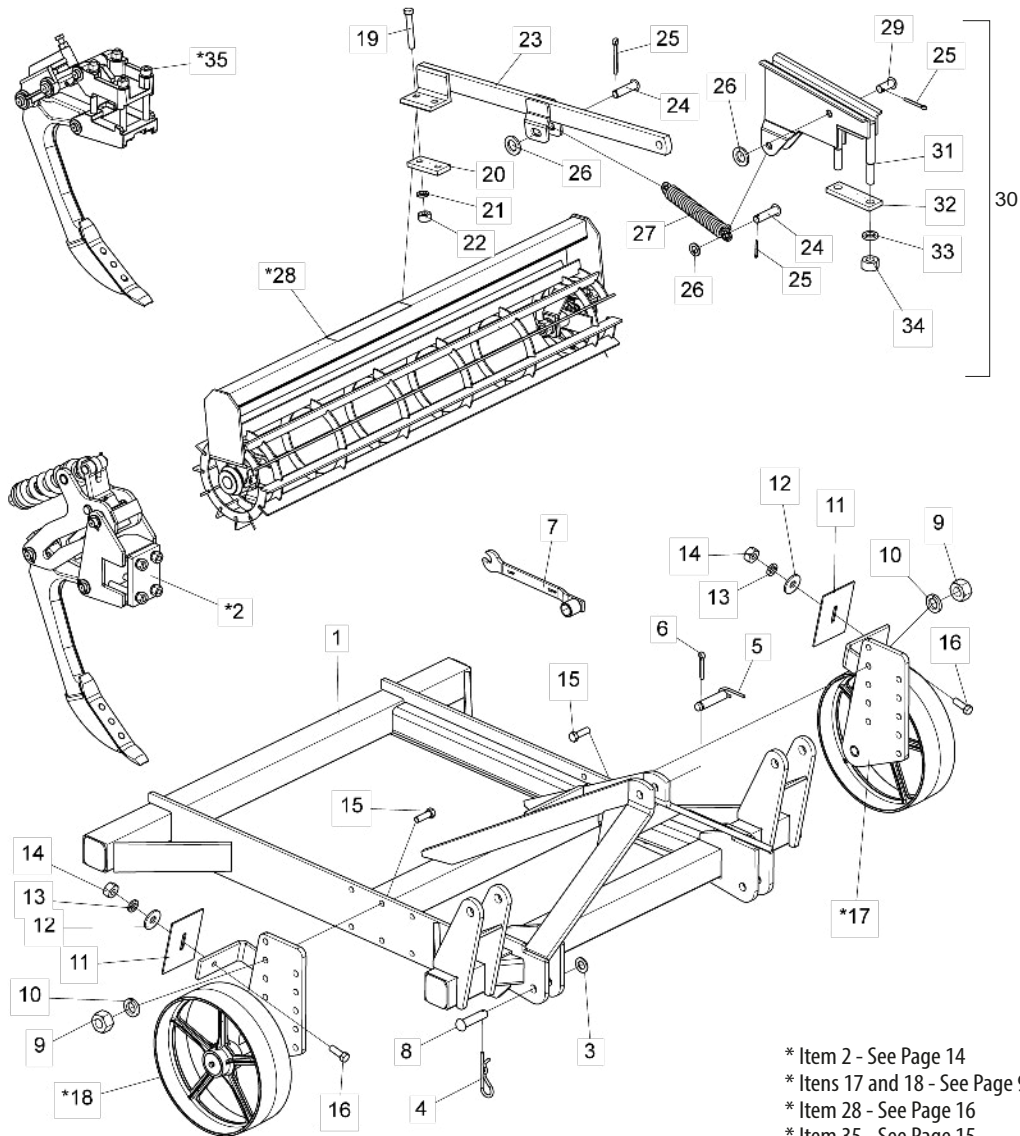


- * Items 1 e 5 - See Page 10
- * Item 2 - See Page 9
- * Item 3 and 4 - See Page 13
- * Item 6 - See Page 14

• Table ASDA CR

Item	Code	Product description	All	05 Shanks	07 Shanks	09 Shanks	11 Shanks	13 Shanks	Item	Code	Product description	All	05 Shanks	07 Shanks	09 Shanks	11 Shanks	13 Shanks
*1	5404050164-1	Complete Main Frame ASDACR/ASDAcr-05 Skanks (With Hydraulic Shaft)		1					26	5024010192-8	Smooth Washer Ø30 X Ø52 X 4,75mm(Galvanised)	3					
*1	5404050165-0	Complete Main Frame ASDACR/ASDAcr-07 Skanks (With Hydraulic Shaft)			1				27	5348050006-3	Complete Limiter Of Ø42 X 25mm	4					
*1	5404050166-8	Complete Main Frame ASDACR/ASDAcr-09 Skanks (With Hydraulic Shaft)				1			28	5348050009-8	Complete Limiter Of Ø42 X 49,5mm	4					
*1	5404050167-6	Complete Main Frame ASDACR/ASDAcr-11 Skanks (With Hydraulic Shaft)					1		29	5432120029-2	French Head Pin Ø30,53 X 113mm	2					
*1	5404050168-4	Complete Main Frame ASDACR/ASDAcr-13 Skanks (With Hydraulic Shaft)						1	30	6020310591-9	French Head Pin Ø30,53 X 98mm	1					
*2	5084040109-7	Hitch Drawbar		2	2	2			31	6020310660-5	French Head Pin Ø28 X 105mm	3					
*2	5084040108-9	Hitch Drawbar					2	2	32	6020010402-4	Pressure Washer 1/4" Media Industry	2					
*3	5484010119-6	Regulator R.1.1/4" Unc 530mm (Closed) - 730mm (Open)	1						33	6020010412-1	Pressure Washer 5/8" Media Industry		4	4	2	4	2
*4	5224010106-8	Oil Distributor	1						34	6020050116-3	Cotterpin 1/4" X 2"		12	8	8	8	8
*5	6020055720-7	Hydraulic Cylinder "D.A" Ø1.5/8" X Ø3.1/2" X 241mm(Course) X 635mm(Closed)		2	2	2			35	6020130108-7	Grease Fitting 1/8"	5					
*5	6020059583-4	Hydraulic Cylinder "D.A" Ø1.5/8" X Ø3.1/2" X 326mm(Course) X 585mm(Closed)					2	2	36	6020310206-5	Hexagonal Head Bolt 1/4" X 2" 20F Unc Gr2 Rp	2					
*6	5326011673-4	Complete Subsoiler Shank		5	7	9	11	13	37	6020310421-1	French Head Pin Ø9,8 X 61mm	4					
7	5498100005-9	Complete Wheel 750 X 16		2	2	2			38	6020310742-3	Hexagonal Nut 1/4" 20F Unc Gr5 Ch.7/16" Height 5,50mm	2					
7	5498100092-0	Complete Wheel 900 X 16 (Reinforced)					2	2	39	6020310760-1	Hexagonal Nut 5/8" 11F Unc Gr5 Ch.1.1/16" Height 15,00mm	3					
8	6020350402-3	Rim 5,5" X 16" 16.392		2	2	2			40	6020390301-7	Lock Ø5,75 X 50mm	1					
8	6020350418-0	Rim Rb- 2212/16 X 600 With 06 Holes					2	2	Optional								
9	6020310406-8	Tyre 750 X 16 X 10 Ply		2	2	2			41	5498100072-5	Complete Wheel 11 X 15 - Bl 10 Ply		2	2	2		
9	6020310408-4	Tyre 900X16X10Ls					2	2	42	6020350397-3	Rim 10.0 Ply x15" (Wheel 11X15)		2	2	2		
10	6020050356-5	Inner Tube 750X16		2	2	2			43	6020310413-0	Tyre 11X15 Bl 10Ply		2	2	2		
10	6020050362-0	Inner Tube Pa 15/16					2	2	44	6020050362-0	Inner Tube Pa 15/16		2	2	2		
11	5040121014-5	Support Valve Fixation Bar	1														
12	6020390308-4	Lock Nma - Type "R" Ø4,5 X 80mm		4	4	4	4	8									
13	6020058712-2	Wrench "L" For Hexagonal Nut 1/2"		1	1	1											
14	5138010030-8	Wrench P For Hexagonal Nut 3/4" - 7/8"	1														
15	6020058707-6	Wrench "L" For Hexagonal Nut 5/8" and 3/4"					1	1									
16	5372011044-6	Hose Ø3/8" X 3500mm With 1Trg And 1Trf With Male Quickly Coupling		2													
17	5432010025-1	Pin Ø1.1/4" X 215mm		1													
18	5432120117-5	French Head Pin Ø30,53 X 165mm		2													
19	5530010188-6	Support Of Valve W/Nipple		1													
20	5530060001-7	Small Support Of Hoses		1													
21	5558040023-9	Piston Lock Of 240mm		2	2	2											
21	5558010656-0	Piston Lock Of 335mm For Shank Of Ø1.5/8"					2	2									
22	6010601523-9	Clamp	1														
23	6020250739-8	High Pressure Hydraulic Hose 3/8" X 1150mm With 1Tcg And 1Trg		2													
23	6020251013-5	High Pressure Hydraulic Hose 3/8" X 900mm With 1Tcg And 1Trg		2													
23	6020250792-4	High Pressure Hydraulic Hose 3/8" X 1550mm With 1Tcg And 1Trg			2												
23	6020250913-7	High Pressure Hydraulic Hose 3/8" X 1300mm With 1Tcg And 1Trg			2												
23	6020251004-6	High Pressure Hydraulic Hose 3/8" X 1600mm With 1Tcg And 1Trg				2											
23	6020250796-7	High Pressure Hydraulic Hose 3/8" X 2000mm With 1Tcg And 1Trg				2	2										
23	6020250999-4	High Pressure Hydraulic Hose 3/8" X 2300mm With 1Tcg And 1Trg					2										
23	6020250889-0	High Pressure Hydraulic Hose 3/8" X 2400mm With 1Tcg And 1Trg						2									
23	6020250892-0	High Pressure Hydraulic Hose 3/8" X 2700mm With 1Tcg 90° And 1Trg						2									
24	6020312083-7	Hexagonal Head Bolt 5/8" X 7" 11F Unc1A Gr5 Rp		2													
25	6020010453-9	Smooth Washer M33 Ø34,00 X Ø60,00 X 5,00mm		5													

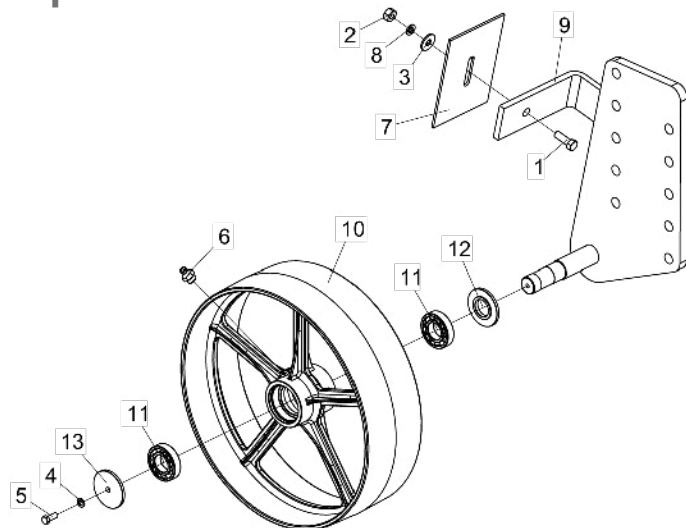
• ASDA H



- * Item 2 - See Page 14
- * Items 17 and 18 - See Page 9
- * Item 28 - See Page 16
- * Item 35 - See Page 15

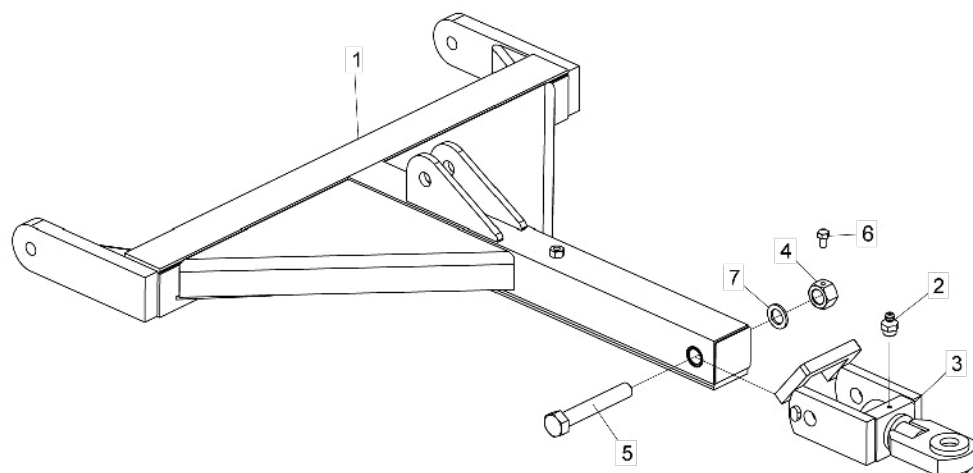
Item	Code	Product description	All	05 Shanks	07 Shanks	09 Shanks
1	5404010957-1	Complete Main FrameASDAH-05 Shanks(W/Depth Control Wheel)		1		
1	5404010958-0	Complete Main FrameASDAH-07 Shanks(W/Depth Control Wheel)			1	
1	5404010959-8	Complete Main FrameASDAH-09 Shanks(W/Depth Control Wheel)				1
*2	5326011673-4	Complete Subsoiler Shank(Helical Spring System)		5	7	9
3	5024010192-8	Smooth Washer Ø30 X Ø52 X 4,75mm	3			
4	6020390308-4	Lock Nma - Type "R" de Ø4,5 X 80mm (455)	2			
5	5432060031-9	Pin Ø27,80 X 117mm Usin. C/Canal	1			
6	6020050114-7	Cotterpin 1/4" X 1.1/2"	1			
7	5138010030-8	Wrench for Nut 3/4" - 7/8"	1			
8	6020310660-5	French Head Pin Ø28 X 105mm	3			
9	6020310770-9	Hexagonal Nut 3/4" 10F Unc Gr5 Ch.1.7/32" Alt.18,50mm	8			
10	6020010414-8	Pressure Washer 3/4"	8			
11	5352070007-9	Depth Wheel Cleaner	2			
12	5024010068-9	Smooth Washer Ø13,3 X Ø35,5 X 3,00mm	2			
13	6020010410-5	Pressure Washer 1/2" Média Industrial	2			
14	6020310754-7	Hexagonal Nut 1/2" 12F W Gr5 Ch.7/8" Alt.12,00mm	2			
15	6020311096-3	Hexagonal Head Bolt 3/4" X 2.1/2" 10F Unc1A Gr5 Rp	8			
16	6020312001-2	Hexagonal Head Bolt 1/2" X 1.1/2" 12F W Gr5 Rt	2			
*17	5498010299-0	Complete Left Depth Wheel	1			
*18	5498010298-2	Complete Right Depth Wheel	1			
Opcional						
19	6020311103-0	Hexagonal Head Bolt 3/4" X 5" 10F Unc1A Gr5 Rp		4	8	8
20	5040120971-6	Bar 2.1/2" X 5/8" X 140mm	2	4	4	
21	6020010414-8	Pressure Washer 3/4"	4	8	8	
22	6020310770-9	Hexagonal Nut 3/4" 10F Unc Gr5 Ch.1.7/32" Alt.18,50mm	4	8	8	
23	5072010059-0	Spare Arm	2	4	4	
24	6020310596-0	French Head Pin Ø1" X 90mm	4	8	8	
25	6020050116-3	Cotterpin 1/4" X 2"	6	12	12	
26	5024010039-5	Smooth Washer Ø26,2 X Ø44 X 4,75mm	6	12	12	
27	6020250348-1	Helical Spring Ø31 X Ø50 X 290mm	2	4	4	
*28	5502010115-5	Levelling Roller 1900mm Oil	1			
*28	5502010116-3	Levelling Roller 1900mm Grease	1			
*28	5502010107-4	Levelling Roller 1300mm Grease			2	
*28	5502010106-6	Levelling Roller 1300mm Oil			2	
*28	5502010103-1	Levelling Roller 1600mm Grease				2
*28	5502010104-0	Levelling Roller 1600mm Oil				2
29	6020310599-4	French Head Pin Ø1" X 53mm	2	4	4	
30	5530010428-1	Complete Support Arm	2	4	4	
31	5530010429-0	Complete Support Arm	2	4	4	
32	5040120970-8	Bar 2.1/2" X 5/8" X 200mm	2	4	4	
33	6020010420-2	Pressure Washer 1" Média Industrial	4	8	8	
34	6020310778-4	Hexagonal Nut 1" 8F Unc Gr5 Ch.1.5/8" Alt.25,00mm	4	8	8	
*35	5326010439-6	Complete Subsoiler Shank(Plain Spring System)	5	7	9	

• Complete Depth Control Wheel ASDA-H



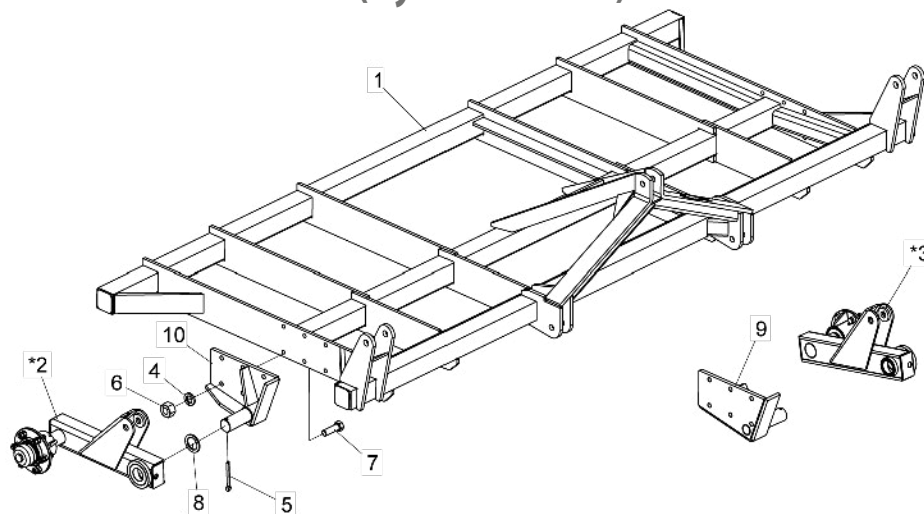
Item	Code	Product description	All	Right	Left
1	6020312001-2	Hexagonal Head Bolt 1/2" X 1.1/2" 12FW GR5 Rt	1		
2	6020310754-7	Hexagonal Nut 1/2" 12FW GR5 Ch.7/8" Alt.12,00mm	1		
3	5024010068-9	Smooth Washer Ø13,3 X Ø35,5 X 3,00mm	1		
4	6020010406-7	Pressure Washer 3/8" Média Industrial	1		
5	6020310054-2	Hexagonal Head Bolt 3/8" X 1" 16F Unc1A GR5 Rt	1		
6	6020130108-7	Grease Fitting 1/8"	1		
7	5352070007-9	Depth Wheel Scraper	1		
8	6020010410-5	Pressure Washer 1/2" Média Industrial	1		
9	5530100264-4	Right Support of Wheel		1	
9	5530100263-6	Left Support of Wheel			1
10	5498010289-3	Spare Depth Control Wheel	1		
11	6020350022-2	Bearing 6207-Z	2		
12	5558080010-5	Lock W/Large Hole	1		
13	5558080009-1	Lock W/Small Hole	1		

• Hitch Drawbar ASDA-DR / CR



Item	Code	Product description	All	05 to 09 Shanks	11 and 13 Shanks
1	5084040107-0	Hitch Drawbar		1	
1	5084040106-2	Hitch Drawbar			1
2	6020130100-1	Grease Fitting 1/4"		1	
2	6020130108-7	Grease Fitting 1/8"			1
3	5332020007-1	Hitch Shackle	1		
4	5456010022-4	Hexagonal Nut 1.1/4" 7F Unc Gr5 Key.2" Height.31,00Mm With Hole R.3/8"	1		
5	6020310248-0	Hexagonal Head Bolt 1.1/4" X 8" 7F Unc1A Gr5 Rp	1		
6	6020311030-0	Hexagonal Head Bolt 3/8" X 5/8" 16F Unc1A Gr2 Rt	1		
7	6020010453-9	Smooth Washer M33 Ø34 x Ø60 x 5mm	1		

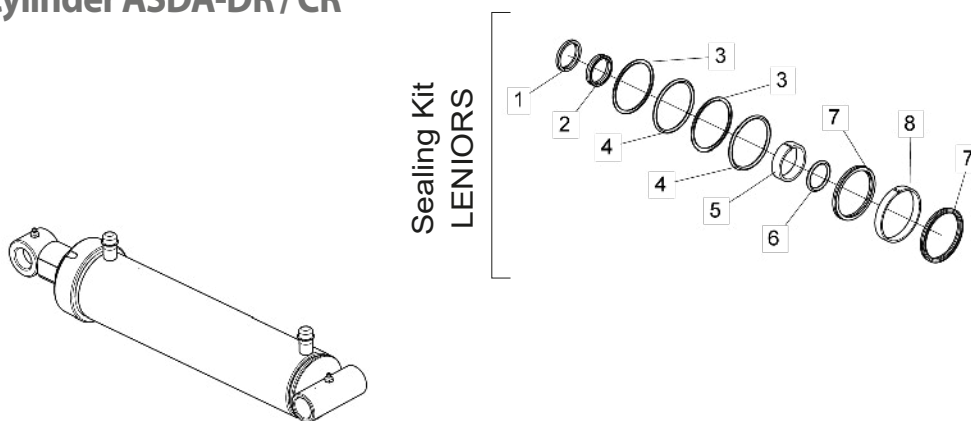
• Main Frame ASDA-DR / CR (Hydraulic Shaft)



Item	Code	Product description	All	05 Shanks	07 Shanks	09 Shanks	11 Shanks	13 Shanks
1	5404050163-3	Main Frame Asdah/Asdacr/Asdadr-05 Shanks	1					
1	5404050162-5	Main Frame Asdah/Asdacr/Asdadr-07 Shanks		1				
1	5404050161-7	Main Frame Asdah/Asdacr/Asdadr-09 Shanks			1			
1	5404050160-9	Main Frame Asdacr/Asdadr-11 Shanks				1		
1	5404050159-5	Main Frame Asdacr/Asdadr-13 Shanks					1	
*2	5530490041-4	Complete Articulation Right Support Of Shanks	1	1	1			
*2	5530024614-0	Complete Articulation Right Support Of Shanks				1	1	
*3	5530490042-2	Complete Articulation Left Support Of Shanks	1	1	1			
*3	5530024613-2	Complete Articulation Left Support Of Shanks					1	1
4	6020010414-8	Pressure Washer 3/4" Media Industry	12					
5	6020050126-0	Cotterpin 3/8" X 3.1/2"	2					
6	6020310770-9	Hexagonal Nut 3/4" 10F Unc Gr5 Ch.1.7/32" Height 18,50Mm	12					
7	6020311096-3	Hexagonal Head Bolt 3/4" X 2.1/2" 10F Unc1A Gr5 Rp	12					
8	5024010296-7	Smooth Washer Ø66 X Ø92 X 1/4"	2					
9	5530100255-5	Complete Left Support	1					
10	5530100256-3	Complete Right Support	1					

* Item 2 and 3 - See Page 11

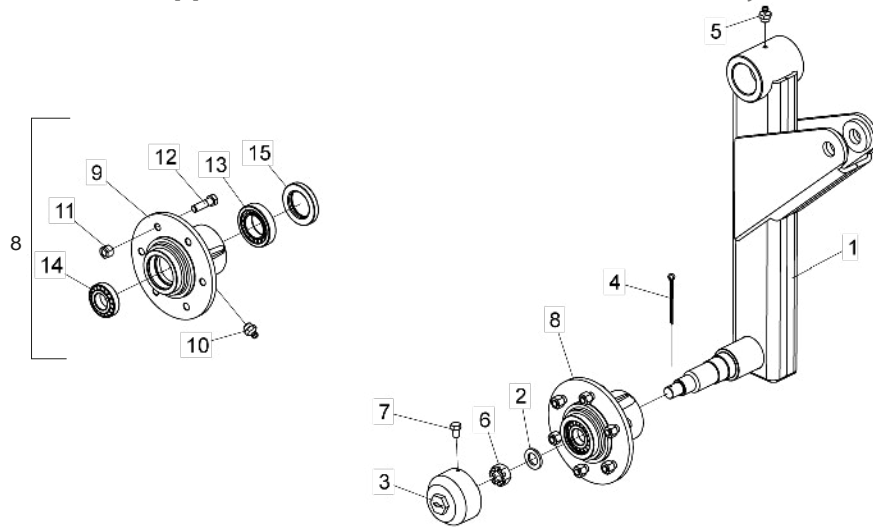
• Cylinder ASDA-DR / CR



Item	Code	Product description	All
Sealing Kit LENIORS			
1		Cleaner D-1625	1
2		Gasket-B 1870-1625-375B	1
3		Parback 8-337	2
4	J016445	O'Ring 2-338	2
5		Guide Ring 6W8-1875-495	1
6		O'Ring 2-126	1
7		Gasket-STD 2500-3000	2
8		Guide Ring W2-3500-500	1
-	6020190259-5	Repair Kit Leniors J016445	1

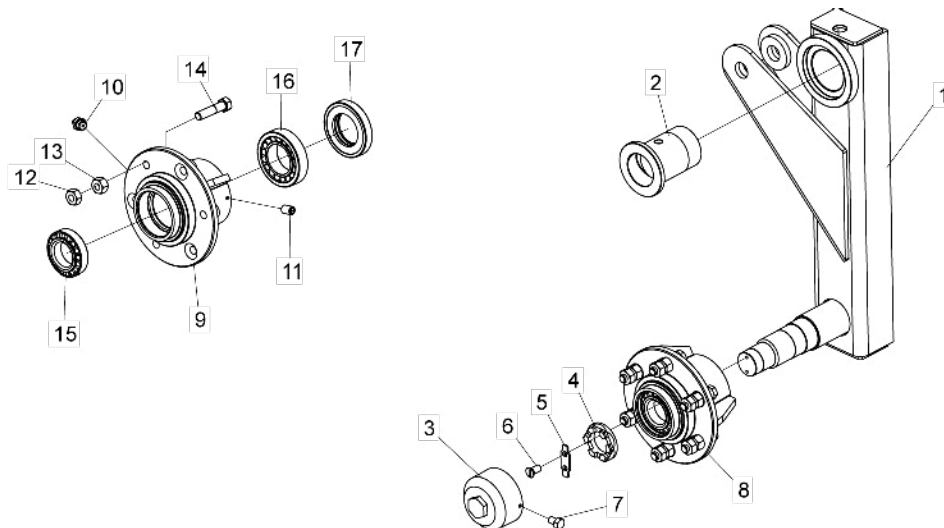
For replacement parts, please check the cylinder liner - The Baldan code, the manufacturer's code and name and the date of manufacture.

• Articulation Support ASDA-DR / CR05, 07 and 09 Shanks (Hydraulic Shaft)



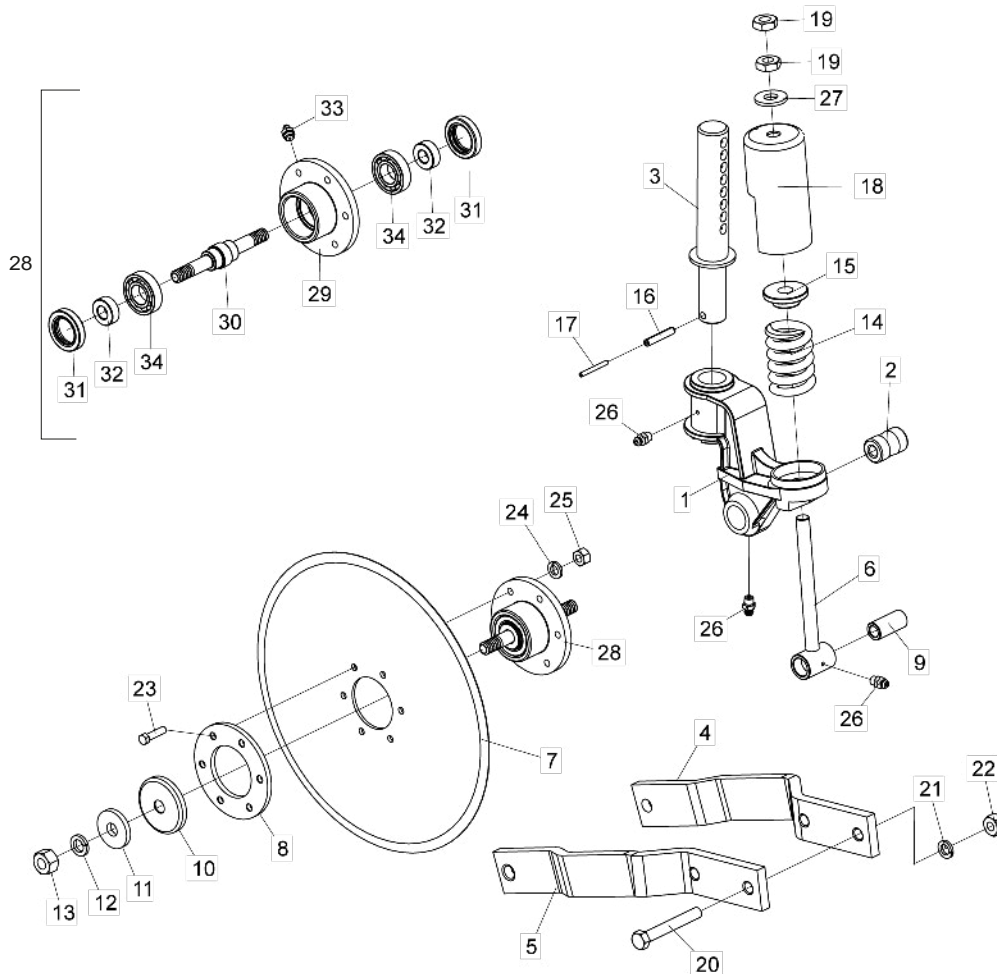
Item	Code	Product description	All	Right	Left
1	5530490038-4	Wheel Articulation Right Support		1	
1	5530490039-2	Wheel Articulation Left Support			1
2	5024010039-5	Smooth Washer Ø26,2 X Ø44 X 4,75Mm	1		
3	5096020004-4	Wheel Hub Cap	1		
4	6020050108-2	Cotterpin 1/8" X 2.1/2"	1		
5	6020130108-7	Grease Fitting 1/8"	1		
6	6020310800-4	Nut 1" 14F Uns Gr5 Ch.1.1/2" Height 22,00Mm	1		
7	6020311020-3	Hexagonal Head Bolt 5/16" X 1/2" 18F Unc1A Gr2 Rt	1		
8	5204060025-6	Complete Wheel Hub	1		
9	5204010063-6	Wheel Hub (Spare)	1		
10	6020130108-7	Grease Fitting 1/8"	1		
11	6020310816-0	Double Hexagonal Nut Of Wheel 9/16" 18F Unf Gr5 Ch.7/8" Height 19,00Mm	6		
12	6020310998-1	Hexagonal Head Bolt 9/16" X 2" 18F Unf1A Gr5 Rp	6		
13	6020350056-7	Bearing 32210	1		
14	6020350080-0	Bearing 30207	1		
15	6020350224-1	Retainer Ø55,00 X Ø90,00 X 12,50Mm (Arca 5163 Bg / Sabo 00964 B)	1		

• Articulation Support ASDA-DR / CR 11 and 13 Shanks (Hydraulic Shaft)



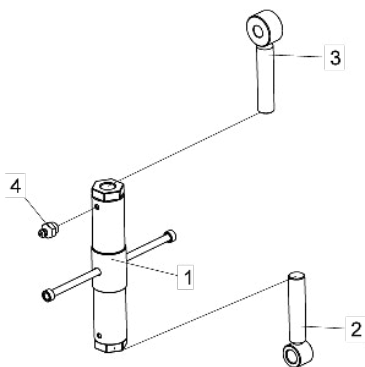
Item	Code	Product description	All	Right	Left
1	5530024611-6	Complete Articulation Right Support Of Shanks		1	
1	5530024612-4	Complete Articulation Left Support Of Shanks			1
2	5080010303-4	Bushing Of Ø81,8 X Ø110 X 125,3Mm	1		
3	5096020006-0	Wheel Hub Cap	1		
4	5456020007-5	Nut Ø48,7 - 14 Fpp-W (Special)	1		
5	5558020002-7	Lock(Small)	1		
6	6020310128-0	Bolt (Thread Machined) 1/4" X 1/2" 20F Unc1A Gr5 Rt	2		
7	6020311020-3	Hexagonal Head Bolt 5/16" X 1/2" 18F Unc1A Gr2 Rt	1		
8	5204010255-8	Complete Wheel Hub	1		
9	5204010015-6	Wheel Hub (Spare)	1		
10	6020130108-7	Grease Fitting 1/8"	1		
11	6020310096-8	Allen Bolt S/C 5/16" X 1/2" 18F Unc1A Cl12.9 Rt (Phosphated)	2		
12	6020310805-5	Hexagonal Nut 5/8" 18F Unf Gr5 Ch.1.1/16" Height 13,50Mm	6		
13	6020310807-1	Conic Hexagonal Nut Of Wheel 5/8" 18F Unf Gr5 Ch.1.1/16" Height 19,00Mm	6		
14	6020311078-5	Hexagonal Head Bolt 5/8" X 2.3/4" 18F Unf1A Gr5 Rp	6		
15	6020350056-7	Bearing 32210	1		
16	6020350074-5	Bearing 32212	1		
17	6020350242-0	Retainer Ø63,50 X Ø110,00 X 18,00Mm (Arca 5417 Gb / Sabo 01486 Gb)	1		

• Coultter Disc Cart ASDA-DR



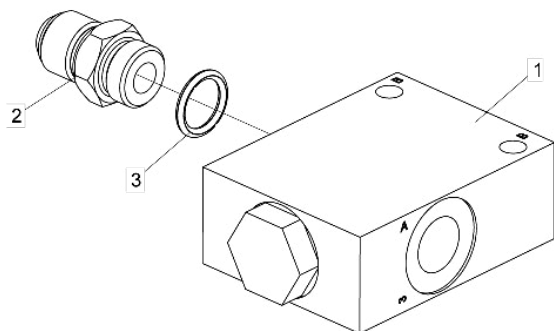
Item	Code	Product description	All
1	5530520076-9	Shaft Support	1
2	5080020762-0	Bushing Of Ø16 X Ø36,1 X 55Mm	1
3	5232030133-5	Small Shaft With Washer	1
4	5040010127-0	Left Bar	1
5	5040010126-1	Right Bar	1
6	5566010028-7	Rod Spring	1
7	2861427388-9	Coultter Plain Disc Blade 18 X 5,00 Hc Rd 80Mm + 6H Rd 10,3Mm D=115Mm Doble Bevel	1
7	3261427388-6	Rippled Plain Disc Blade 18 X 5,00 Hc Rd 80Mm + 6H Rd 10,3Mm D=115Mm Doble Bevel	1
8	5284010001-4	Flange Of Disc Hub	1
9	5080020661-5	Bushing Of Ø16,2 X Ø26,5 X 57Mm	1
10	5096010028-7	Hub Cap	2
11	5024010289-4	Smooth Washer Ø20 X Ø58 X 8,00Mm	2
12	6020010403-2	Pressure Washer M20	2
13	6020311265-6	Hexagonal Nut M20 X 2,50 MA CL8 CH.30mm Alt.16mm	2
14	6020250281-7	Helical Spring Ø43 X Ø67 X 141Mm Wire=Ø12Mm	1
15	6010600980-8	Back Bushing	1
16	6020310510-2	Heavy Elastic Pin Ø10 X 55Mm (Seeger Reno 701.220)	1
17	6020310472-6	Heavy Elastic Pin Ø6 X 55Mm (Seeger Reno 701.167)	1
18	6020310691-5	Spring Protection	1
19	6020310784-9	Hexagonal Nut 3/4" 10F Unc Gr5 Ch.1.1/4" Height 11,00Mm	2
20	6020311087-4	Hexagonal Head Bolt 5/8" X 4.1/2" 11F Unc1A Gr5 Rp	2
21	6020010412-1	Pressure Washer 5/8" Media Industry	2
22	6020310760-1	Hexagonal Nut 5/8" 11F Unc Gr5 Ch.1.1/16" Height 15,00Mm	2
23	6020311029-7	Hexagonal Head Bolt 3/8" X 1.1/2" 16F Unc1A Gr5 Rt	6
24	6020010406-7	Pressure Washer 3/8" Media Industry	6
25	6020310746-6	Hexagonal Nut 3/8" 16F Unc Gr5 Ch.9/16" Height 8,50Mm	6
26	6020130100-1	Grease Fitting 1/4"	3
27	5024010007-7	Smooth Washer Ø20,3 X Ø46,5 X 4,75Mm	1
28	5204020099-1	Complete Hub	1
29	5204010088-1	Disc Hub (Spare)	1
30	5232030120-3	Shaft R.Ø3/4" X 186Mm	1
31	6020350201-2	Retainer Ø40,00 X Ø62,00 X 12,00Mm	2
32	5080020761-1	Bushing Of Ø19,1 X Ø40 X 15Mm	2
33	6020130108-7	Grease Fitting 1/8"	1
34	6020350007-9	Bearing 6206	2

• 3rd Regulator ASDA-DR / CR



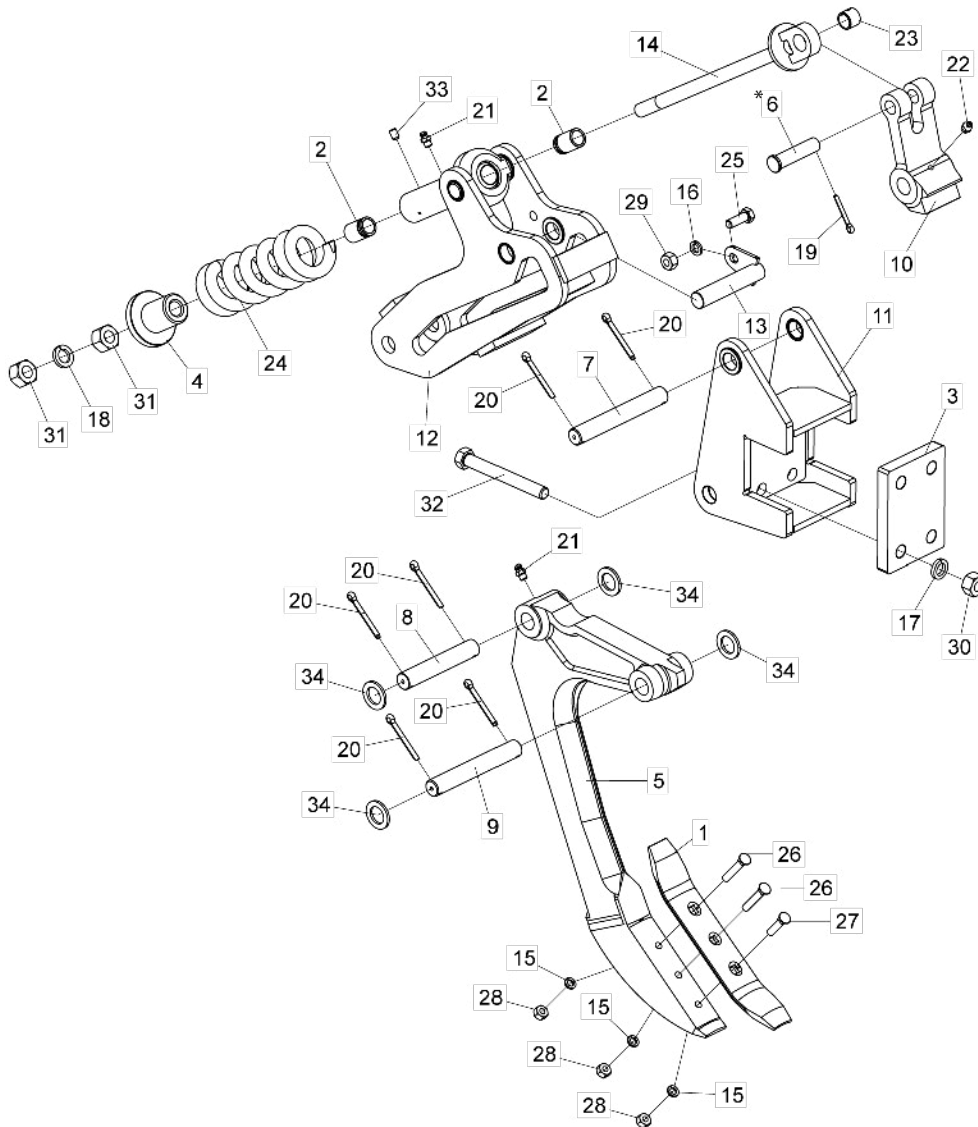
Item	Code	Product description	All
1	5484010029-7	Regulator R.1.1/4" Unc X 415Mm	1
2	5484010079-3	Left Regulator	1
3	5484040047-9	Right Regulator	1
4	6020130108-7	Grease Fitting 1/8"	2

• Oil Distributor ASDA-DR / CR



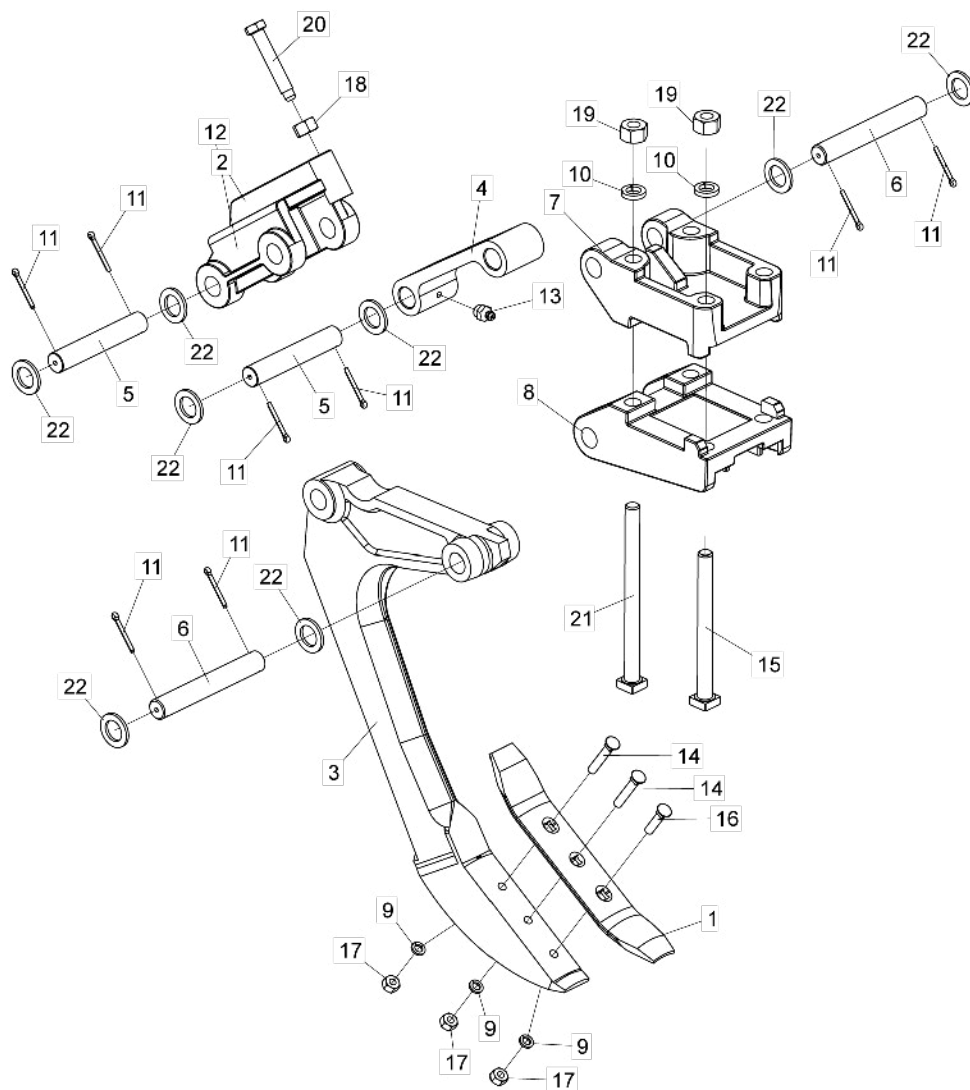
Item	Code	Product description	All
1	6020430204-1	Flow Divider Valve Hfb030731	1
2	5412010035-4	Nipple R.3/4" Unf X R.3/4" Unf X 38Mm With Hexagonal 7/8"	3
3	6020010022-3	O'Ring 2-114 N3006-90Nbr (15,54)	3

• Complete Subsoiler Shank (Helical Spring System) All Models



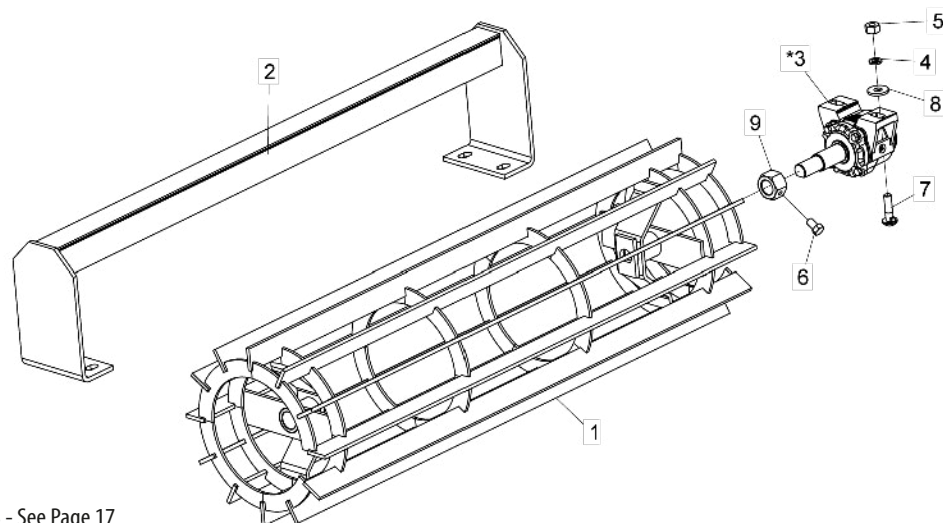
Item	Code	Product description	All
1	5054010003-6	Sweep Of Subsoiler Shank (76 X 11mm)	1
*2	5080012089-3	Bronze Bushing Of Ø25,4 X Ø35 X 50mm	2
3	5136310448-0	Plate Of 182 X 148 X 1"	1
4	5248010015-8	Back Spring With Guide 70mm	1
5	5326010068-4	Plow Subsoiler Shank	1
*6	5432010926-7	Round Head Pin 1" X 97mm	1
7	5432090211-0	Flat Pin Ø31,75 X 230mm	1
8	5432090298-6	Flat Pin Ø1.1/4" X 164mm	1
9	5432090309-5	Flat Pin Ø1.1/4" X 200mm	1
10	5530010235-1	Disarm Support Of Spring	1
11	5530014651-0	Support Of Shank	1
12	5530014653-7	Support Of Spring	1
13	5558010029-4	Complete Lock Of Pin	1
*14	5566010345-6	Complete Rod De Ø1"	1
15	6020010410-5	Pressure Washer 1/2" Media Industry	3
16	6020010412-1	Pressure Washer 5/8" Media Industry	1
17	6020010418-0	Pressure Washer 7/8" Media Industry	4
18	6020010420-2	Pressure Washer 1" Media Industry	1
19	6020050106-6	Cotterpin 3/16" X 1.1/2"	1
20	6020050116-3	Cotterpin 1/4" X 2"	6
21	6020130100-1	Grease Fitting 1/4"	2
22	6020130108-7	Grease Fitting 1/8"	1
23	6020230086-6	Sleeve Ø26,5 X Ø32,5 X 25,40mm	1
24	6020250204-3	Shank Spring Ø57,80 X Ø102,22 X 340mm	1
25	6020310179-4	Hexagonal Head Bolt 5/8" X 1.3/4" 11F Unc1A Gr5 Rt	1
26	6020310237-5	Screw Type A3 1/2" X 3" 12F Gr2 Rp	2
27	6020310252-9	Screw Type A3 1/2" X 2.1/4" 12F Gr2 Rp	1
28	6020310754-7	Hexagonal Nut 1/2" 12FW Gr5 Ch.7/8" Height 12,00mm	3
29	6020310760-1	Hexagonal Nut 5/8" 11F Unc Gr5 Ch.1.1/16" Height 15,00mm	1
30	6020310774-1	Hexagonal Nut 7/8" 9F Unc Gr5 Ch.1.7/16" Height 22,00mm	4
31	6020310778-4	Hexagonal Nut 1" 8F Unc Gr5 Ch.1.5/8" Height 25,00mm	2
32	6020311122-6	Hexagonal Head Bolt 7/8" X 7.1/2" 9F Unc1A Gr5 Rp	4
33	6020311233-8	Allen Bolt S/C 1/4" X 3/8" 20F Unc1A C12.9 Rt (Phosphated)	6
34	5024010093-0	Smooth Washer Ø33,5 X Ø52,5 X 3,00mm	4

• Complete Subsoiler Shank (Plain Spring System) All Models



Item	Code	Product description	All
1	5054010003-6	Sweep Of Subsoiler Shank (76 X 11Mm)	1
2	5228010034-0	Shank Disarm	1
3	5326010068-4	Subsoiler Shank	1
4	5400010110-1	Plain Spring 217,5Mm	1
5	5432090298-6	Flat Pin Ø1.1/4" X 164Mm	2
6	5432090309-5	Flat Pin Ø1.1/4" X 200Mm	2
7	5530011483-0	Upper Support Of Tyne	1
8	5530011484-8	Lower Support Of Tyne	1
9	6020010410-5	Pressure Washer 1/2" Media Industry	3
10	6020010418-0	Pressure Washer 7/8" Media Industry	4
11	6020050116-3	Cotterpin 1/4" X 2"	8
12	6020130100-1	Grease Fitting 1/4"	1
13	6020130108-7	Grease Fitting 1/8"	2
14	6020310237-5	Screw Type A3 1/2" X 3" 12F Gr2 Rp	2
15	6020310245-6	Square Head Bolt 7/8" X 9.1/2" 9F Unc1A Gr5 Rp	2
16	6020310252-9	Screw Type A3 1/2" X 2.1/4" 12F Gr2 Rp	1
17	6020310754-7	Hexagonal Nut 1/2" 12F W Gr5 Ch.7/8" Height 12,00Mm	3
18	6020310770-9	Hexagonal Nut 3/4" 10F Unc Gr5 Ch.1.7/32" Height 18,50Mm	1
19	6020310774-1	Hexagonal Nut 7/8" 9F Unc Gr5 Ch.1.7/16" Height 22,00Mm	4
20	6020311102-1	Hexagonal Head Bolt 3/4" X 4.1/2" 10F Unc1A Gr5 Rt Special	1
21	6020317431-7	Square Head Bolt 7/8" X 11.1/2" 9F Unc1A Gr5 Rp	2
22	5024010093-0	Smooth Washer Ø33,5 X Ø52,5 X 3,00Mm	8

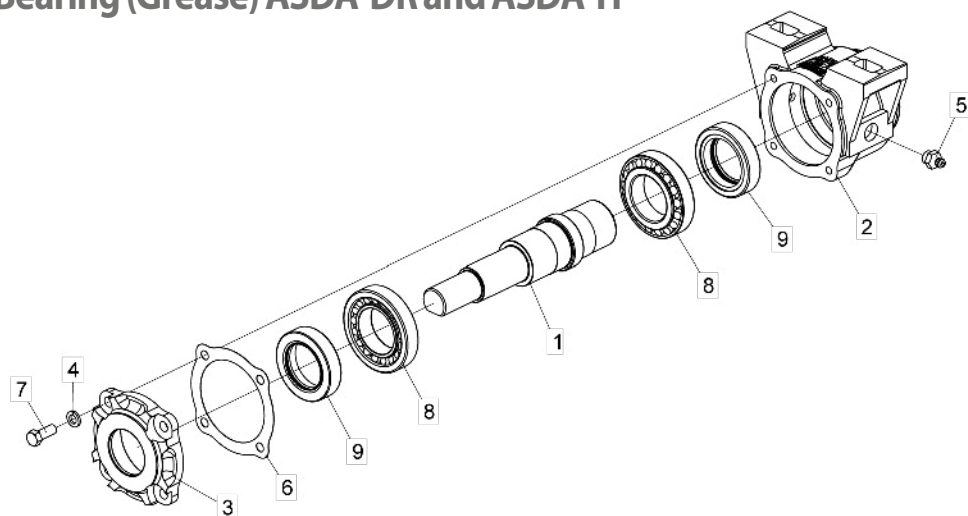
• Levelling Roller ASDA-DR



* Item 3 - See Page 17

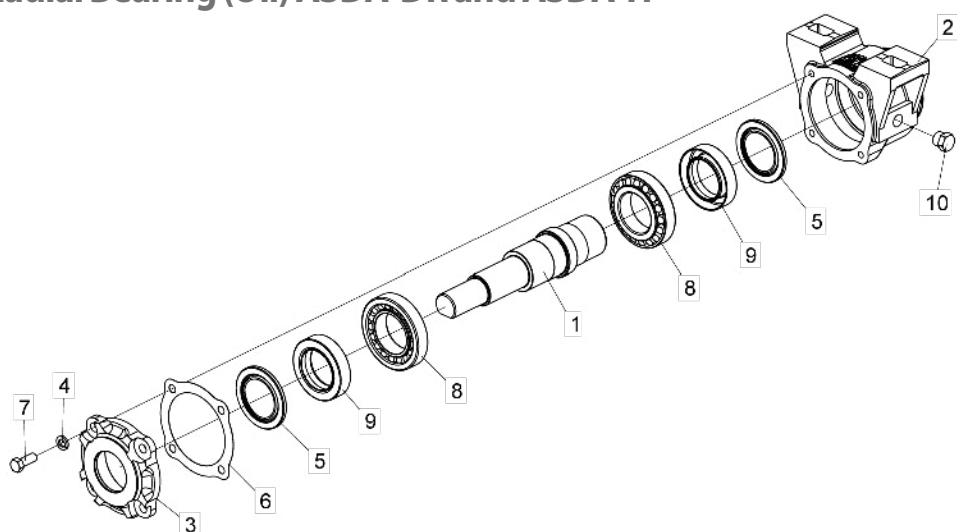
Item	Code	Product description	All	05 Shanks	07 and 11 Shanks	09 and 13 Shanks
1	5502030016-6	Levelling Roller Of 1900Mm		1		
1	5502030013-1	Levelling Roller Of 1300Mm			1	
1	5502030011-5	Levelling Roller Of 1600Mm				1
2	5530540023-7	Roller Support 1830Mm		1		
2	5530540021-0	Roller Support 1230Mm			1	
2	5530540022-9	Roller Support 1530Mm				1
*3	5368010424-3	Complete Right/Left Bearing Oil De 245Mm Without Protection P/Eixo Ø1.1/2"	2			
*3	5368010426-0	Complete Right/Left Bearing Grease De 245Mm Without Protection P/Eixo Ø1.1/2"	2			
4	6020010412-1	Pressure Washer 5/8" Media Industry	4			
5	6020310760-1	Hexagonal Nut 5/8" 11F Unc Gr5 Ch.1.1/16" Height 15,00Mm	4			
6	6020311030-0	Hexagonal Head Bolt 3/8" X 5/8" 16F Unc1A Gr2 Rt	2			
7	6020312010-1	French Head Bolt 5/8" X 2.1/4" 11F Unc1A Gr5 Rp With Lock	4			
8	5024010298-3	Smooth Washer Ø17 X Ø44 X 4,75Mm(Galvanized)	4			
9	5456010022-4	Hexagonal Nut 1.1/4" 7F Unc Gr5 Key.2" Height.31,00Mm With Hole R.3/8"	2			

• Bearing (Grease) ASDA-DR and ASDA-H



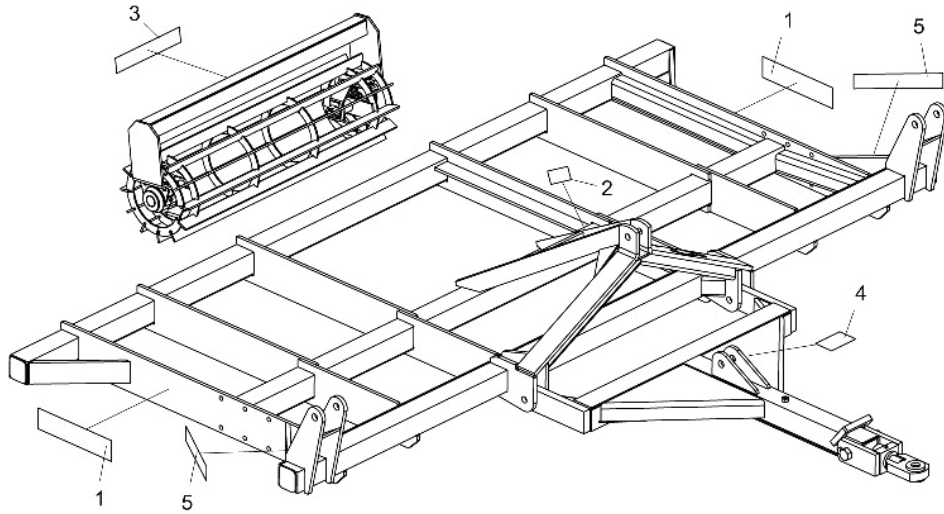
Item	Code	Product description	All
1	5232030102-5	Bushing Bearing	1
2	5368010079-5	Spare Front/Rear Grease Bearing (Without Protection)	1
3	5538010031-1	Bearing Cover	1
4	6020010406-7	Pressure Washer 3/8" Media Industry	4
5	6020130108-7	Grease Fitting 1/8"	2
6	6020190104-1	Gascket Ø90 X Ø134 X 1/64"	4
7	6020310021-6	Hexagonal Head Bolt 3/8" X 1" 16F Unc1A Gr5 Rt (Phosphated)	4
8	6020350054-0	Bearing 30210	2
9	6020350236-5	Retainer Ø49,00 X Ø76,10 X 17,50Mm	2

• Radial Bearing (Oil) ASDA-DR and ASDA-H



Item	Code	Product description	All
1	5232030102-5	Bushing Bearing	1
2	5368010077-9	Spare Front/Rear Oil Bearing (Without Protection)	1
3	5538010031-1	Bearing Cover	1
4	6020010406-7	Pressure Washer 3/8" Media Industry	4
5	6020010472-5	Washer 1199(Joinseal)-1002(Arca)	2
6	6020190104-1	Gascket Ø90 X Ø134 X 1/64"	4
7	6020310021-6	Hexagonal Head Bolt 3/8" X 1" 16F Unc1A Gr5 Rt (Phosphated)	4
8	6020350054-0	Bearing 30210	2
9	6020350291-8	Retainer Ø49,00 X Ø76,00 X 17,50Mm	2
10	5081010007-6	Hexagonal Head Plug 3/4" - R.3/8" - 19F - Bspt(Gas)	2

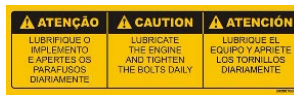
• Stickers



Item	Code	Product description	All	ASDA CR	ASDA DR	ASDA H
1	6020071094-3	Sticker Asda (100 X 410Mm)	2			
2	6020070886-8	Sticker Lubricate And Retighten (58 X 195Mm)	1			
3	5206010310-0	Sticker Disc Warning (150 X 95Mm)		1	1	
4	5206010008-0	Sticker Baldan Medium (70 X 395Mm)		1	1	
5	6020072274-7	Sticker Baldan (70 x 380mm)	2			



Item 1



Item 2

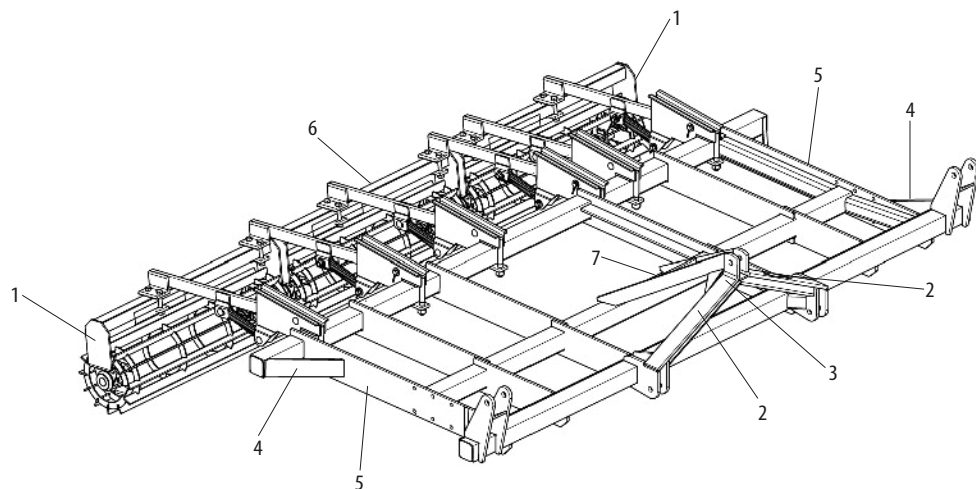


Item 3

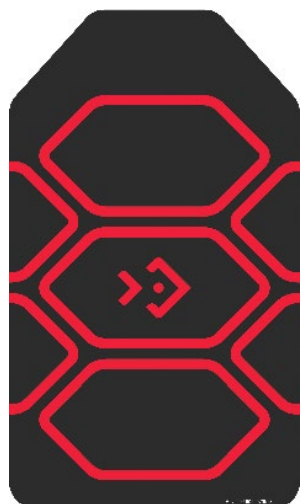


Items 4 and 5

• Stickers ASDA-DR and ASDA-CR



Item	Code	Product description	All
1	6020079573-6	Sticker Baldan (140 X 240mm)	2
2	6020079566-3	Sticker Baldan (65 X 400mm)	2
3	6020095955-0	Sticker 70 X 132,6mm	1
4	6020079564-7	Sticker Baldan (90 X 370mm)	2
5	6020079568-0	Sticker Asda (90 X 440mm)	2
6	5206010310-0	Sticker Disc Warning Sticker(150 X 95mm)	1
7	6020070886-8	Lubricate and Retighten Decal(58 X 195mm)	1



Item 1



Item 2



Item 3



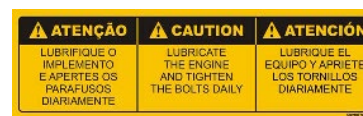
Item 4



Item 5

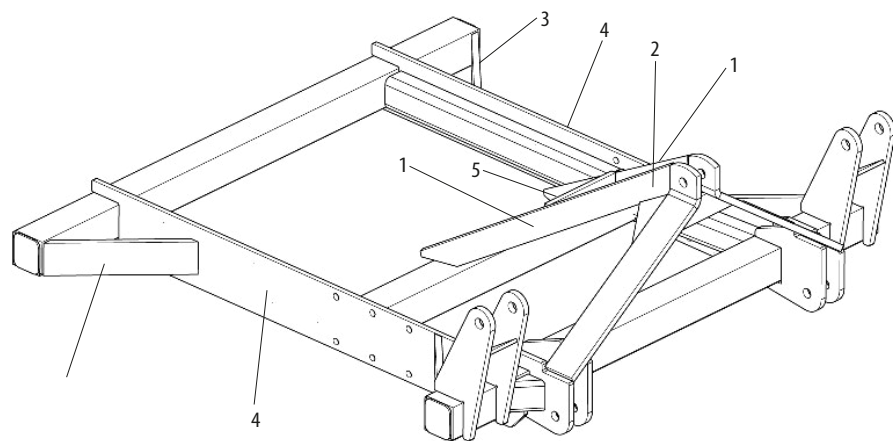


Item 6



Item 7

• Stickers ASDA-H



Item	Code	Product description	All
1	6020079566-3	Sticker Baldan(65 X 400mm)	2
2	6020095955-0	Sticker 70 X 132,6mm	1
3	6020079564-7	Sticker Baldan(90 X 370mm)	2
4	6020079565-5	Sticker Asda(90 X 370mm)	2
5	6020070886-8	Sticker Lubricate And Retighten (58 X 195mm)	1



Item 1



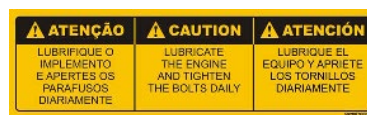
Item 2



Item 3



Item 4



Item 5



Avenida Baldan, 1500
Nova Matão
15.993-900
Matão/SP - Brasil
sac@baldan.com.br
export@baldan.com.br

+55 16 3221 6500
baldan.com.br